

NEW★STAR

PARTS COMPONENT GROUP DRIVE TRAIN CATALOG



600 W. IRVING PARK ROAD, SCHAUMBURG, ILLINOIS 60193

Local Phone: 847-584-2000

Toll Free Phone: 1-800-621-1553 ORDER DESK

Local Fax: 847-584-3000

Toll Free Fax: 1-800-621-1558

Mexico Toll Free: 001-800-727-8373

E-Mail: INFO@SANDSTRUCK.COM

VISIT OUR WEBSITE AT WWW.SANDSTRUCK.COM

TABLE OF CONTENTS

REPLACEMENT PARTS FOR TRANSMISSION

INDUSTRY NUMBERS

A CROSS SECTION OF CLARK,GM,INTERNATIONAL TRUCK,NEW PROCESS AND WARNER TRANSMISSION

GEARS BY INDUSTRY PART NUMBERS	1 - 6
ARVIN MERITOR APPLICATIONS	
GEARS AND PARTS7
CHRYSLER APPLICATIONS	
A535 LIGHT DUTY DODGE DAKOTA51
EATON / FULLER APPLICATIONS	
GEARS AND PARTS8 - 43
SYNCHRONIZERS44
RANGE VALVES45
AIR VALVES46 - 47
MID-RANGE MEDIUM DUTY48 - 50
FORD APPLICATIONS	
GEARS AND PARTS - MAZDA / TOYO KOGYO51
GEARS AND PARTS - MITSUBISHI 5-SPEED52
GEARS AND PARTS - ZF S5-42 SERIES53- 54
GM / MUNCIE APPLICATIONS	
GEARS AND PARTS55
INTERNATIONAL TRUCK APPLICATIONS	
GEARS AND PARTS56
MACK APPLICATIONS	
GEARS AND PARTS57 - 58
NEW PROCESS APPLICATIONS	
GEARS AND PARTS59 - 61
NEW VENTURE APPLICATIONS	
GEARS AND PARTS62
TTC APPLICATIONS	
GEARS AND PARTS63 - 67
REPLACEMENT TRANSMISSION BEARING, SEAL AND GASKET KITS68

CLUTCH AND FLYWHEEL ASSEMBLIES AND PARTS

NEW CLUTCH ASSEMBLIES69 - 72
CLUTCH ALIGNMENT TOOLS73 - 75
CLUTCH BRAKES76 - 77
MISCELLANEOUS CLUTCH PARTS78 - 80

PLEASE NOTE

S&S TRUCK PARTS, INC. HAS MADE USE OF THE MOST RELIABLE AND BEST SOURCES OF INFORMATION TO ATTEMPT TO CORRECTLY IDENTIFY ALL APPLICATIONS / INTERCHANGES SHOWN IN THIS CATALOG. HOWEVER, WE DO NOT ASSUME ANY RESPONSIBILITY FOR POSSIBLE ERRORS.

ANY REFERENCES MADE HEREIN TO **ARVIN MERITOR, BORG WARNER, CHICAGO RAWHIDE, CHRYSLER, CLARK, DANA®, DANA®(FORMERLY HILLARD), TTC, DANA®(FORMERLY EATON), EATON/FULLER, FEDERAL MOGUL, FOOTE AXLE, FORD, FREIGHTLINER, GENERAL MOTORS, INTERNATIONAL TRUCK, LIPE, MACK, MUNCIE, NATIONAL, NEW PROCESS, NEW VENTURE, PAI, RICHMOND, AND ZF** ARE PURELY FOR IDENTIFICATION PURPOSES ONLY.

S&S TRUCK PARTS, INC. DOES NOT INTEND TO REPRESENT ANY PARTS SHOWN AS PRODUCTS MANUFACTURED BY THE ABOVE COMPANIES.

TABLE OF CONTENTS

REPLACEMENT PARTS FOR DIFFERENTIAL ASSEMBLIES

ARVIN MERITOR APPLICATIONS	
RING GEAR AND PINION SETS81 - 83
GEARS AND PARTS84 - 91
CONVENIENCE KITS92
CHRSYLER APPLICATIONS	
COMPONENTS PARTS94
CLARK APPLICATIONS	
RING GEAR AND PINION SETS93
GEARS AND MISCELLANEOUS PARTS93
SUITABLE FOR DANA® APPLICATIONS	
RING GEAR AND PINION SETS94
INSTALLATION KITS CONSISTING OF ALL NEEDED BEARINGS,SHIMS,SEALS,SLEEVE,ETC.95
SUITABLE FOR DANA®(FORMERLY HILLARD) APPLICATIONS	
GEARS AND MISCELLANEOUS PARTS96
SUITABLE FOR DANA®(FORMERLY EATON) APPLICATIONS	
RING GEAR AND PINION SETS97 - 99
GEARS AND MISCELLANEOUS PARTS.100 - 105
TWO SPEED PARTS106 - 107
CONVENIENCE KITS.108
FORD APPLICATIONS	
RING GEAR AND PINION SETS109
INSTALLATION KITS110
BEARING AND SEAL KITS110
GM APPLICATIONS	
RING GEAR AND PINION SETS111
GEARS AND MISCELLANEOUS PARTS111
RING GEAR AND PINION SETS112
INSTALLATION KITS / DIFFERENTIAL SIDE GEAR AND PINION SETS113
MISCELLANEOUS AXLE PARTS114
GENUINE RING GEAR AND PINION SETS115
GENUINE DIFF KITS AND CASES116
INTERNATIONAL TRUCK APPLICATIONS	
RING GEAR AND PINION SETS117
GEARS AND PARTS118 - 121
MACK APPLICATIONS	
RING GEAR AND PINION SETS122 - 123
GEARS AND MISCELLANEOUS PARTS124 - 125
AXLE SHAFTS	
SUITABLE FOR ARVIN MERITOR, DANA®, DANA®(FORMERLY EATON), GM, FORD AND INTERNATIONAL TRUCK AXLES126 - 127
REPLACEMENT DIFFERENTIAL BEARING, SEAL AND GASKET KITS128 - 129
REPLACEMENT DIFFERENTIAL MASTER BEARING, SEAL AND GASKET KITS129

BEARINGS AND OIL SEALS

BEARINGS	
CYLINDRICAL BEARING ASSEMBLIES130 - 131
NEEDLE BEARING ASSEMBLIES131
TAPERED ROLLER BEARINGS131 - 133
OIL SEALS	
SEALS SUITABLE FOR C/R AND NATIONAL134

PLEASE NOTE

S&S TRUCK PARTS, INC. HAS MADE USE OF THE MOST RELIABLE AND BEST SOURCES OF INFORMATION TO ATTEMPT TO CORRECTLY IDENTIFY ALL APPLICATIONS / INTERCHANGES SHOWN IN THIS CATALOG. HOWEVER, WE DO NOT ASSUME ANY RESPONSIBILITY FOR POSSIBLE ERRORS.

ANY REFERENCES MADE HEREIN TO **ARVIN MERITOR, BORG WARNER, CHICAGO RAWHIDE, CHRYSLER, CLARK, DANA®, DANA®(FORMERLY HILLARD), EATON, EATON/FULLER, DANA®(FORMERLY EATON), FEDERAL MOGUL, FOOTE AXLE, FORD, FREIGHTLINER, GENERAL MOTORS, INTERNATIONAL TRUCK, LIPE, MACK, MUNCIE, NATIONAL, NEW PROCESS, NEW VENTURE, PAI, RICHMOND, TTC, AND ZF** ARE PURELY FOR IDENTIFICATION PURPOSES ONLY.

S&S TRUCK PARTS, INC. DOES NOT INTEND TO REPRESENT ANY PARTS SHOWN AS PRODUCTS MANUFACTURED BY THE ABOVE COMPANIES.

OUR QUALITY CONTROL LABORATORY



COORDINATE MEASURING MACHINE (CMM)

FOR CHECKING LENGTHS, LOCATIONS, CONCENTRICITY OF DIAMETERS, FLATNESS AND MORE.



CNC OPTICAL COMPARATOR

FOR VISUAL CHECKS OF FORMS, RADIUS, LENGTHS, HEIGHTS AND MORE.



GLEASON UNIVERSAL GEAR TESTER

FUNCTIONAL ROLLING MACHINE FOR TESTING GEAR SETS.



CNC GEAR CHECKER / KLINGELNBERG HÖFLER

CHECKS ALL GEAR TOOTH DIMENSIONS TO INSURE TEETH ARE MADE CORRECTLY.



MITUTOYO HR-500 ROCKWELL HARDNESS

MEASURES ROCKWELL HARDNESS OF VARIOUS METALS AND OTHER MATERIALS IN THIRTY DIFFERENT HARDNESS SCALES.



CUSTOM ENGINEERED FIXTURES

ENABLE TESTING TO ORIGINAL SPECS FOR POP-OFF, PRESSURE DIFFERENTIAL, AND CRACK PRESSURES AS REQUIRED BY PART NUMBER ON ALL AIR VALVES.

S & S TRUCK PARTS, INC. HAS EXCLUSIVE CONTRACTS WITH STATE-OF-THE-ART FACTORIES THROUGHOUT NORTH AMERICA, EUROPE AND ASIA FOR THE MANUFACTURE OF **NEWSTAR** COMPONENTS.

S & S PROVIDES IT CUSTOMERS WITH GUARANTEED QUALITY PARTS.

OUR COMMITMENT TO QUALITY EXTENDS FROM OUR MANUFACTURING PROCESS TO OUR QUALITY CONTROL LABORATORY (QCL). THE QCL LOCATED AT OUR HEADQUARTERS IN SCHAUMBURG, ILLINOIS CONTAINS THE MOST ADVANCED AND SOPHISTICATED QUALITY INSPECTION EQUIPMENT AVAILABLE. SUBSTANTIAL INVESTMENTS MADE IN THIS EQUIPMENT ENSURE THAT **NEWSTAR** COMPONENTS MEET THE INDUSTRY'S MOST STRINGENT QUALITY STANDARDS.

NEW★STAR INDUSTRY NUMBERS

LEGEND

L2	WARNER REV BOX	RB310	NEW PROCESS 542 REV. BOX
T8	WARNER T9A/98	WT310	NEW PROCESS 542
T14	WARNER T14	WT311	NEW PROCESS 445/4590
T18	WARNER T18	WT317	NEW PROCESS 7550/7590
T19	WARNER T19	T319	WARNER T18
T87	WARNER T87	WT320	I.H.C. T35/T495/T698
T98	WARNER T98	T321	WARNER T14
WT196	WARNER T9A/98	T323	NEW PROCESS 542
T208	NEW PROCESS 208 T.C.	T324	NEW PROCESS 7550/7590
WT258	NEW PROCESS 435,540,7550,7590	T325	I.H.C. T495
WT263	CLARK 265	WT326	CLARK 390
WT271	NEW PROCESS 540	T327	CLARK 282/285
WT273	CLARK 260V	T435	NEW PROCESS 435
WT275	NEW PROCESS 540	T495	I.H.C. T495
WT277	NEW PROCESS 540/541	RB540	NEW PROCESS 540 REV. BOX
WT281	NEW PROCESS 445,4590	T698	I.H.C. T698
WT283	NEW PROCESS 541/542	T750	NEW PROCESS 7550/7590
WT290	NEW VENTURE 3500/4500	T1104	WARNER T4
WT291	NEW PROCESS 435	T1105	WARNER T4,T5
WT292	CLARK 380/385	1301	WARNER T18
T301	NEW PROCESS 445/4590	1309	WARNER T19
T303	CLARK 385/387	1315	WARNER T9A/98
WT303	CLARK 385/387	T1351	WARNER T4,T5
WT304	MUNCIE SM465	T1352	WARNER T4,T5
T305	CLARK 282/285	1352	WARNER T4,T5
WT305	CLARK 282/285	T1450	CLARK CL450
WT308	I.H.C. T35		
T309	WARNER T19		

LATEST ADDITIONS TO OUR CATALOG

ALL PARTS SUPPLIED ARE S&S/NEWSTAR. USE OF OTHER MANUFACTURERS' NAMES, PART NUMBERS, OR TRADEMARKS ARE FOR INFORMATIONAL AND IDENTIFICATION PURPOSES ONLY. PRICES ARE SUBJECT TO CHANGE OR WITHDRAWAL WITHOUT NOTICE.

NEWSTAR INDUSTRY NUMBERS

A CROSS SECTION OF CLARK,GM,INTERNATIONAL TRUCK,NEW PROCESS, AND WARNER TRANSMISSION GEARS BY INDUSTRY PART NUMBERS

THE FOLLOWING LIST OF TRANSMISSION GEARS, TRANSFER CASES, REVERSING BOX, FORKS AND MISC. PARTS ARE SUITABLE FOR POPULAR CLARK, GM/MUNCIE, INTERNATIONAL TRUCK, NEW PROCESS, AND WARNER TRANSMISSIONS. THEY ARE LIST, FOR YOUR CONVENIENCE, IN NUMERICAL ORDER BY INDUSTRY PART NUMBER.

NEWSTAR NUMBER	INDUSTRY NUMBER	REPLACEMENT FOR PART NUMBER	NEWSTAR NUMBER	INDUSTRY NUMBER	REPLACEMENT FOR PART NUMBER
S-9470	L2-3	—	S-4969	WT-258-14	11334
S-6128	L2-8	—	S-D653	WT-263-2B	227075
S-6087	L2-10	—	S-6244	AWT-263-2.5	221480
S-6152	L2-16B	—	S-6236	AWT-263-2.5B	220255
S-7570	L2-55	—	S-6239	WT-263-11A	220273
S-6154	T-8C-8A	WT-196-8	S-10225	WT-263-11J	219409
S-6155	T-9-12W	WT-196-12	S-6240	WT-263-15A	220278
S-6012	T-9A-11	WT-196-11	S-10281	WT-263-16ES	2601278
S-6130	3AT-14-80	—	S-7371	WT-263-34A	220279
S-6131	T-18-8	—	S-7715	WT-271-9	91967
S-6132	AT-18-10	1301-584-001	S-6856	WT-271-18	93653
S-6133	T-18-11	—	S-6242	WT-273-15	220522
S-6135	T-18-31	1301-080-010	S-B281	WT-273-16D	227079
S-6004	SP-18-50	—	S-6823	WT-275-2.5	11294
S-6136	T-18-55	—	S-6693	AWT-275-2.5A	11580
S-6137	AT-19-2A	—	S-2501	AWT-275-2.5B	11337
S-6153	T-19-2E	1309-171-008	S-6845	WT-275-15	91568
S-6153	T-19-2G	1309-171-008	S-6869	WT-277-2	97753
S-8562	AT-19-10A	1309-584-001	S-6870	WT-277-2A	97754
S-6138	1AT-19-2.5	—	S-6714	AWT-277-2.5	13647
S-8748	T-19-8	—	S-6846	WT-277-2.5	91581
S-6139	T-19-11	—	S-6821	WT-277-3D	11118
S-8661	T-19D-11F	1309-080-001	S-6821	AWT-277-3E	11118
S-8661	T-19D-11	1309-080-001	S-6783	WT-277-7	95868
S-8418	T-19-14	—	S-6754	WT-277-8	91197
S-6416	T-19-16B	—	S-4108	WT-277-9A	93824
S-6425	T-19-16C	—	S-3229	AWT-277-10	92683
S-6150	T-19A-16E	1309-085-014	S-4106	WT-277-12	91383
S-8674	T-19A-16F	1309-085-012	S-3228	WT-277-15	91177
S-6141	T-19-31	1309-080-008	S-6770	WT-277-16Q	93722
S-6426	T-19-46	1309-070-001	S-6858	WT-277-16X	95553
S-6426	T-19-46D	1309-070-001	S-6756	WT-277-22	91226
S-6005	SP-19-50	—	S-6759	WT-277-22A	91677
S-6142	T-19-55	—	S-5240	WT-277-31	93654
S-6143	1AT-19-80	1309-590-008	S-6844	WT-277-34	91198
S-7680	T-19-83	1309-091-001	S-6159	SP-277-50	—
S-B120	SP-84-50	—	S-C505	SP-277-50R	—
S-6145	3AT-87D-2.5C	—	S-6820	WT-277-55	GS-540
S-6146	T-87D-14	—	S-6866	WT-277-90	97348
S-B121	SP90A-50	—	S-6714	AWT-281-80	13647
S-6147	SP-98-50A	—	S-6762	WT-281-83	92708
S-10289	T-98-12	—	S-2238	AWT-281-83A	94469
S-6148	T-98-83	—	S-6835	AWT-283-2.5	13648
S-6149	AT-98A-8	—	S-6686	AWT-283-2.5B	11425
S-6154	WT-196-8	—	S-6853	WT-283-9	92687
S-6012	WT-196-11	1315-070-001	S-6850	WT-283-12	92508
S-6155	WT-196-12	—	S-4650	WT-283-14	11370
S-6839	T-208-16GA	13948	S-6768	WT-283-16	93662
S-6727	T-208-16GB	15112	S-4559	WT-283-16F	95286
S-6720	T-208-16F	13779	S-6857	WT-283-16G	95288
S-6730	T-208-44	15307	S-6787	WT-283-16M	97419
S-A479	SP-208-50	—	S-6851	WT-283-34	92516

LATEST ADDITIONS TO OUR CATALOG

ALL PARTS SUPPLIED ARE S&S/NEWSTAR. USE OF OTHER MANUFACTURERS' NAMES, PART NUMBERS, OR TRADEMARKS ARE FOR INFORMATIONAL AND IDENTIFICATION PURPOSES ONLY. PRICES ARE SUBJECT TO CHANGE OR WITHDRAWAL WITHOUT NOTICE.

NEWSTAR INDUSTRY NUMBERS

NEWSTAR NUMBER	INDUSTRY NUMBER	REPLACEMENT FOR PART NUMBER	NEWSTAR NUMBER	INDUSTRY NUMBER	REPLACEMENT FOR PART NUMBER
S-6852	WT-283-44	92517	S-2109	T-303-1	227750
S-6159	SP-283-50	SP-277-50	S-2103	WT-303-2	218539
S-6820	WT-283-55	GS-540	S-2103	T-303-2A	218539
S-2708	WT-283-81	94462	S-2117	WT-303-3	218545
S-A342	WT-290-8E	23049687	S-2111	WT-303-10	218546
S-A341	WT-290-16E	23049683	S-2112	AWT-303-11	218880
S-7283	WT-291-2	96009	S-2105	WT-303-16	228603
S-7279	AWT-291-2B	95947	S-6179	WT-303-55	GS-385
S-7281	WT-291-2D	95991	S-2109	AWT-303-80	227750
S-5975	WT-291-2G	13082	S-3652	T-304-1	AWT-304-2.5
S-6831	WT-291-2H	13185	S-3653	T-304-1A	AWT-304-80
S-6710	WT-291-2K	13288	S-4015	T-304-2A	3932265
S-6054	WT-291-2.5	95849	S-4015	WT-304-2A	3932265
S-6865	AWT-291-2.5B	96986	S-6641	AWT-304-2C	6259663
S-6690	AWT-291-2.5D	11562	S-6641	T-304-2C	6259663
S-6695	AWT-291-2.5E	11582	S-3652	AWT-304-2.5	—
S-6779	WT-291-3	95733	S-6631	WT-304-2.5	3901164
S-6711	WT-291-3D	13527	S-6645	WT-304-3	14083537
S-3660	WT-291-6B	96373	S-6644	WT-304-3A	14053671
S-7277	WT-291-6C	95724	S-6631	T-304-5	3901164
S-6784	WT-291-6D	96003	S-6636	T-304-5A	3946776
S-6780	WT-291-7	95734	S-6636	WT-304-5A	3946776
S-6779	WT-291-8	95733	S-6013	WT-304-10	3901141
S-6711	WT-291-8D	13527	S-4014	T-304-11	3901161
S-7275	WT-291-11	95708	S-4014	WT-304-11	3901161
S-6863	WT-291-11B	96914	S-6163	WT-304-11AX	—
S-5855	WT-291-11C	13528	S-4016	T-304-12	476766
S-7285	WT-291-12	97121	S-4016	WT-304-12	476766
S-7285	AWT-291-12A	97121	S-6055	WT-304-14A	3993036
S-6860	WT-291-16B	96004	S-4522	T-304-15	3901165
S-7276	WT-291-16C	95723	S-4522	WT-304-15	3901165
S-3584	WT-291-16D	15328	S-6633	WT-304-16	3901176
S-6861	WT-291-16E	96354	S-6632	WT-304-16A	3901175
S-7284	WT-291-16H	96372	S-5951	WT-304-17	14020811
S-3584	WT-291-16J	15328	S-3438	WT-304-19	3932253
S-7282	WT-291-16L	95993	S-3439	WT-304-19A	3932274
S-6868	WT-291-16Q	97672	S-7236	T-304-21	3901158
S-7278	WT-291-21	95726	S-7236	WT-304-21	3901158
S-6782	WT-291-22B	95747	S-3440	WT-304-22	3901137
S-6864	WT-291-23	96969	S-3441	WT-304-22A	3901138
S-6855	WT-291-23A	93549	S-3440	WT-304-23	3901137
S-3884	SP-291-50	—	S-3441	WT-304-23A	3901138
S-6819	WT-291-55	GS-435	S-8208	WT-304-28	794381
S-6859	AWT-291-83	95727	S-6639	WT-304-34	3968038
S-6866	WT-291-90	97348	S-6014	T-304-36	3901170
S-2113	AWT-292-11	218879	S-6014	WT-304-36	3901170
S-2112	WT-292-11C	218880	S-4040	SP-304-50	—
S-6233	AWT-292-12	216746	S-6164	WT-304-55	—
S-2107	AWT-292-18	227722	S-3653	AWT-304-80	—
S-2108	AWT-292-18B	227721	S-8380	WT-304-90	3830575
S-2707	AWT-292-19	226701	S-6636	WT-304-81	3946776
S-6243	WT-292-19A	221143	S-6637	WT-304-83A	3950367
S-6161	SP-292-50	—	S-5951	WT-304-91	14020811
S-6179	WT-292-55	GS-385	S-4841	T-305-1	237053
S-6260	AWT-292-80	229076	S-5379	T-305-1A	237054
S-6714	T-301-1	13647	S-8214	WT-305-2	228289
S-6878	T-301-10	99104	S-2099	WT-305-2A	228808

LATEST ADDITIONS TO OUR CATALOG

ALL PARTS SUPPLIED ARE S&S/NEWSTAR. USE OF OTHER MANUFACTURERS' NAMES, PART NUMBERS, OR TRADEMARKS ARE FOR INFORMATIONAL AND IDENTIFICATION PURPOSES ONLY. PRICES ARE SUBJECT TO CHANGE OR WITHDRAWAL WITHOUT NOTICE.

NEWSTAR INDUSTRY NUMBERS

NEWSTAR NUMBER	INDUSTRY NUMBER	REPLACEMENT FOR PART NUMBER	NEWSTAR NUMBER	INDUSTRY NUMBER	REPLACEMENT FOR PART NUMBER
S-5379	AWT-305-2.5	237054	S-6139	T-309-11	T-19-11
S-6248	WT-305-2.5	228297	S-8661	T-309-11E	1309-080-001
S-5741	WT-305-3	228580	S-6140	T-309-12	T-19-12
S-6250	T-305-5	228307	S-8418	T-309-14	T-19-14
S-6248	T-305-5A	228297	S-8674	T-309-16C	1309-085-012
S-5390	WT-305-6C	230211	S-6150	T-309-16AE	1309-085-014
S-6251	WT-305-9	228313	S-6141	T-309-31	T-19-31
S-4843	WT-305-10	228581	S-6426	T-309-46D	1309-070-001
S-6296	WT-305-11	238199	S-6005	T-309-50	SP-19-50
S-6298	WT-305-11A	238201	S-6142	T-309-55	T-19-55
S-5740	WT-305-12	228578	S-7680	T-309-83	1309-091-001
S-6259	WT-305-12A	228817	S-4279	WT-310-2	97848
S-4840	T-305-14	228306	S-6886	WT-310-2A	99511
S-2709	WT-305-14	228296	S-6811	AWT-310-2.5	11564
S-2709	T-305-14A	228296	S-6826	WT-310-3	11808
S-6011	WT-305-16A	228340	S-6700	WT-310-3A	11809
S-4188	WT-305-16F	230207	S-9060	WT-310-6	97432
S-6262	WT-305-16K	230209	S-6793	RB-310-8	97601
S-6297	WT-305-18	238200	S-6738	WT-310-9	15588
S-6299	WT-305-18A	238202	S-3586	WT-310-12	97844
S-9507	WT-305-22C	233797	S-2237	T-310-14A	94461
S-9508	WT-305-22D	233799	S-3746	WT-310-15	97562
S-5378	WT-305-23A	233798	S-7287	WT-310-16A	99705
S-7372	WT-305-31	228726	S-7269	RB-310-16B	11189
S-2101	WT-305-31A	228814	S-7427	RB-310-16C	11239
S-6295	WT-305-44	238198	S-6749	WT-310-16D	15765
S-6252	T-305-44A	228314	S-6842	WT-310-16E	15746
S-6252	WT-305-44A	228314	S-6873	WT-310-18A	97999
S-6252	WT-305-44B	228314	S-6743	WT-310-18C	15593
S-6257	WT-305-44C	228348	S-6759	WT-310-22A	91677
S-3885	SP-305-50	—	S-5484	WT-310-22B	93966
S-6252	WT-305-54A	228314	S-6872	AWT-310-31A	97978
S-6178	WT-305-55	GS-285	S-6746	WT-310-34	15596
S-4841	AWT-305-80	237053	S-6742	WT-310-44	15592
S-6250	WT-305-81	228307	S-5853	SP-310-50	—
S-4840	WT-305-83	228306	S-6820	WT-310-55	GS-540
S-6246	WT-305-90	222960	S-6835	AWT-310-80	13648
S-4390	AWT-308-2	238-598-R	S-2708	AWT-310-81	94462
S-2272	AWT-308-2.5	238-614-R	S-2708	WT-310-81	94462
S-4574	WT-308-3	863-822-R	S-2237	AWT-310-83	94461
S-4573	WT-308-9	238-585-R	S-2238	AWT-310-83A	94469
S-4568	WT-308-10	238-615-R	S-3613	AWT-310-83B	13639
S-4578	WT-308-11	238-612-R	S-6878	WT-311-10	99104
S-4580	WT-308-12	238-599-R	S-6683	AWT-317-2.5	11368
S-A094	WT-308-16A	238-582-R	S-6691	1AWT-317-2.5	11563
S-4588	WT-308-31	863-823-R	S-6832	WT-317-12A	13259
S-4592	WT-308-34	238-589-R	S-6805	WT-317-31	99285
S-5505	SP-308-50A	SP-325-50	S-6885	AWT-317-80A	99292
S-6165	WT-308-55	—	S-6885	WT-317-80A	99292
S-2708	AWT-308-81	94462	S-6884	WT-317-81A	99291
S-6143	T-309-1	1AT-19-80	S-6131	T-319-8	T-18-8
S-6138	T-309-1A	1AT-19-2.5	S-6132	T-319-10	AT-18-10
S-6137	T-309-2A	AT-19-2A	S-6133	T-319-11	T-18-11
S-6153	T-309-2E	1309-171-008	S-6135	T-319-31	T-18-31
S-6153	T-309-2G	1309-171-008	S-6004	SP-319-50	SP-18-50
S-8748	T-309-8	T-19-8	S-2272	T-320-1	238-614-R
S-8562	AT-309-10A	1309-584-001	S-4390	T-320-2	238-598-R

LATEST ADDITIONS TO OUR CATALOG

ALL PARTS SUPPLIED ARE S&S/NEWSTAR. USE OF OTHER MANUFACTURERS' NAMES, PART NUMBERS, OR TRADEMARKS ARE FOR INFORMATIONAL AND IDENTIFICATION PURPOSES ONLY. PRICES ARE SUBJECT TO CHANGE OR WITHDRAWAL WITHOUT NOTICE.

NEWSTAR INDUSTRY NUMBERS

NEWSTAR NUMBER	INDUSTRY NUMBER	REPLACEMENT FOR PART NUMBER	NEWSTAR NUMBER	INDUSTRY NUMBER	REPLACEMENT FOR PART NUMBER
S-4390	WT-320-2	238-598-R	S-6691	T-324-1	11563
S-7239	WT-320-2B	440-283-C	S-6836	T-324-1A	13649
S-4546	WT-320-2C	487-875-C	S-6683	T-324-1B	11367
S-2272	AWT-320-2.5	238-614-R	S-6825	T-324-2A	11780
S-4266	WT-320-2.5	474-077-C	S-6885	T-324-5A	99292
S-4545	WT-320-2.5A	487-874-C	S-6832	T-324-12A	13259
S-4574	T-320-3	863-822-R	S-6884	T-324-15A	99291
S-4574	WT-320-3	863-822-R	S-6701	T-324-16D	11824
S-4271	WT-320-3A	440-276-C	S-6805	T-324-31	99285
S-4573	WT-320-8A	238-585-R	S-7239	T-325-2A	440-283-C
S-4568	WT-320-10	238-615-R	S-4546	WT-325-2B	487-875-C
S-4578	WT-320-11	238-612-R	S-4271	T-325-3	440-276-C
S-4580	WT-320-12	238-599-R	S-4266	T-325-5	474-077-C
S-7244	WT-320-12A	474-078-C	S-4545	WT-325-5A	487-874-C
S-4543	WT-320-12B	487-872-C	S-7244	T-325-12	474-078-C
S-2238	T-320-14	94469	S-4543	T-325-12A	487-872-C
S-2237	T-320-14A	94461	S-2708	T-325-15A	94462
S-6762	T-320-14B	92708	S-4264	T-325-16A	440-285-C
S-4650	T-320-14C	11370	S-4267	T-325-16B	440-286-C
S-2708	WT-320-15	94462	S-4544	WT-325-31A	487-873-C
S-A094	T-320-16B	238-582-R	S-7245	T-325-36	474-079-C
S-4264	WT-320-16D	440-285-C	S-4542	WT-325-36A	487-871-C
S-4267	WT-320-16G	440-286-C	S-5505	SP-325-50	—
S-3665	WT-320-22A	508-054-C	S-6166	SP-325-50A	WT-320-50B
S-3665	WT-320-22B	508-054-C	S-6166	WT-325-50B	WT-320-50B
S-2526	WT-320-22C	401-097-C	S-6165	WT-325-55	WT-308-55
S-4588	WT-320-31	863-823-R	S-5094	T-325-90	18-521-R
S-4544	WT-320-31A	487-873-C	S-6269	WT-326-2	235359
S-4592	WT-320-34	238-589-R	S-6289	WT-326-2A	235428
S-7245	WT-320-36	474-079-C	S-6270	WT-326-2B	235361
S-4542	WT-320-36A	487-871-C	S-6302	T-326-2C	239348
S-4039	SP-320-50	SP-308-50	S-6302	WT-326-2C	239348
S-5505	SP-320-50A	SP-325-50	S-6279	WT-326-2.5	235371
S-6166	SP-320-50B	WT-320-50B	S-6282	WT-326-3	235384
S-6166	WT-320-50B	—	S-10279	WT-326-3M	23696
S-6165	T-320-55	WT-308-55	S-6279	T-326-5	235371
S-6165	WT-320-55	WT-308-55	S-6281	T-326-5A	235381
S-6835	AWT-320-80	13648	S-6303	T-326-5B	239350
S-6130	T-321-1C	3AT-14-80	S-6284	WT-326-9	235388
S-6811	T-323-1	11564	S-6285	WT-326-9A	235389
S-6835	T-323-1A	13648	S-6277	WT-326-11	235369
S-4279	T-323-2	97848	S-6278	WT-326-11A	235370
S-6886	T-323-2A	99511	S-6305	WT-326-11B	239353
S-6826	T-323-3	11808	S-6301	WT-326-11C	239347
S-6700	T-323-3A	11809	S-6271	WT-326-12	235363
S-6738	T-323-9A	15588	S-6272	WT-326-12A	235364
S-3586	T-323-12	97844	S-6280	WT-326-15	235373
S-3613	T-323-14B	13639	S-6266	WT-326-16	235353
S-3746	T-323-15	97562	S-6267	WT-326-16A	235354
S-6842	T-323-16E	15746	S-6290	T-326-16C	235432
S-6873	T-323-18A	97999	S-6265	WT-326-16D	235351
S-6743	T-323-18C	15593	S-6290	T-326-16F	235432
S-6872	T-323-31A	97978	S-6290	WT-326-16F	235432
S-6746	T-323-34	15596	S-6291	T-326-16G	235433
S-6742	T-323-44A	15592	S-6291	WT-326-16G	235433
S-5853	SP-323-50	SP-310-50	S-6275	WT-326-18	235367
S-6820	WT-323-55	GS-540	S-6276	WT-326-18A	235368

LATEST ADDITIONS TO OUR CATALOG

ALL PARTS SUPPLIED ARE S&S/NEWSTAR. USE OF OTHER MANUFACTURERS' NAMES, PART NUMBERS, OR TRADEMARKS ARE FOR INFORMATIONAL AND IDENTIFICATION PURPOSES ONLY. PRICES ARE SUBJECT TO CHANGE OR WITHDRAWAL WITHOUT NOTICE.

NEWSTAR INDUSTRY NUMBERS

NEWSTAR NUMBER	INDUSTRY NUMBER	REPLACEMENT FOR PART NUMBER	NEWSTAR NUMBER	INDUSTRY NUMBER	REPLACEMENT FOR PART NUMBER
S-6304	T-326-18B	239352	S-6884	T-750-15A	99291
S-6300	T-326-18C	239346	S-6701	T-750-16H	11824
S-6274	T-326-31	235366	S-6805	T-750-31	99285
S-6274	WT-326-31	235366	S-8083	T-1104-2	1352-671-076
S-6273	WT-326-36	235365	S-8551	T-1104-14	1351-091-001
S-6286	WT-326-44	235390	S-8076	T-1105-11H	1352-080-017
S-6287	WT-326-44A	235391	S-8077	T-1105-16D	1352-085-025
S-6167	SP-326-50	—	S-8078	T-1105-16F	1352-085-003
S-6168	WT-326-55	—	S-6135	1301-080-010	T-18-31
S-6281	WT-326-81	235381	S-6132	1301-584-001	AT-18-10
S-6298	T-327-11	238201	S-8661	1309-080-001	—
S-6296	T-327-11A	238199	S-8661	1309-080-004	1309-080-001
S-6299	T-327-18	238202	S-6141	1309-080-008	T-19-31
S-6297	T-327-18A	238200	S-8674	1309-085-012	—
S-6295	T-327-44	238198	S-6150	1309-085-014	—
S-4776	AT-435-2.5C	11338	S-7680	1309-091-001	T-19-83
S-6686	AT-435-2.5D	11425	S-6143	1309-590-008	1AT-19-80
S-6831	T-435-2J	13185	S-6012	1315-070-001	WT-196-11
S-6710	T-435-2K	13288	S-8552	1332-091-002	—
S-6780	T-435-7	95734	S-8066	1340-080-001	—
S-6711	T-435-8D	13527	S-9691	1345-689-003	—
S-5855	T-435-11C	13528	S-8083	T-1351-2	1352-671-076
S-6704	T-435-16CC	11953	S-8076	T-1352-11H	1352-080-017
S-6782	T-435-22B	95747	S-8077	T-1352-16D	1352-085-025
S-6714	AT-445-2.5	13647	S-8078	T-1352-16F	1352-085-003
S-9860	SP-450-50	K-2144	S-8073	1352-077-006	1352-077-060
S-7239	T-495-2	440-283-C	S-8073	1352-077-012	1352-077-060
S-7239	WT-495-2	440-283-C	S-8076	1352-080-017	—
S-4271	T-495-3A	440-276-C	S-8078	1352-085-003	—
S-4266	T-495-5	474-077-C	S-8075	1352-410-003	1352-080-044
S-7244	T-495-12	474-078-C	S-8086	1352-671-025	1352-671-097
S-4543	T-495-12A	487-872-C	S-8083	1352-671-076	—
S-4264	T-495-16A	440-285-C	S-5816	T-1450-2	239785
S-4267	T-495-16B	440-286-C	S-5827	T-1450-3	241018
S-3678	T-495-22	238-603-R	S-5852	T-1450-6A	239821
S-2526	T-495-22A	401-097-C	S-5815	T-1450-11	239793
S-7245	T-495-36	474-079-C	S-7626	T-1450-11A	239815
S-5505	SP-495-50	SP-325-50	S-5817	T-1450-12	239787
S-6812	T-540-16BB	99754	S-5821	T-1450-15	239832
S-6673	RB-540-5	11188	S-6307	T-1450-16C	239808
S-6675	RB-540-5A	11192	S-5820	T-1450-18	239792
S-6791	RB-540-35	97591	S-5819	T-1450-31	239790
S-8937	GS-540-RB	—	S-5818	T-1450-36	239789
S-6715	T-542-16E	13678	S-5822	T-1450-44	241013
S-3613	AWT-542-83	13639	S-5823	T-1450-44A	241014
S-4546	T-698-2	487-875-C	S-7816	T-1450-55	K-2143
S-4545	T-698-5	487-874-C	S-6306	T-1450-81	239791
S-4543	T-698-12	487-872-C	S-A520	SP-3500-50	—
S-4544	T-698-31	487-873-C	S-A521	SP-4500-50	—
S-4542	T-698-36	487-871-C	S-9202	T5W	—
S-6166	SP-698-50	WT-320-50B	S-9219	T5MK	—
S-6691	AT-750-1	11563	S-9609	T82D	—
S-6836	AT-750-1A	13649	S-9806	T82	—
S-6683	AT-750-1B	11367	S-9827	T1356R	—
S-6825	T-750-2B	11780			
S-6832	AT-750-12B	13259			
S-6882	AT-750-15	99272			


NEWSTAR REPLACEMENT GEARS AND PARTS

APPLICATION: ARVIN MERITOR TRANSMISSIONS


NEWSTAR NUMBER	REPLACEMENT FOR PART NUMBER	DESCRIPTION	APPLICATION
S-12034	5-X-1205	O-RING	9 & 10 SPEEDS, PART OF THE AIR FILTER / REGULATOR
S-13429	42-X-1457	THRUST WASHER	PART OF KIT-5363, 9,10 & 13 SPEED TRANSMISSIONS
S-13430	42-X-1458	THRUST WASHER	PART OF KIT-5363, 9,10 & 13 SPEED TRANSMISSIONS
S-C709	1229-W-4625	SNAP RING	9, 10, 13 SPEED
S-11983	1229-W-4339	SNAP RING	USED IN KIT-5367 INPUT SHAFT KIT
S-C713	1244-M-2041	SPACER-MAINSHAFT	USED W/KIT-5363, 9/10/13 SPEED TRANSMISSIONS
S-11425	1244-J-2194	SPACER	9, 10 AND 13 SPEEDS
S-11412	2803-C-2759	SHIM	FRONT COUNTERSHAFT BRG
S-11411	2803-C-2837	SHIM	FRONT COUNTERSHAFT BRG
S-11412	2803-R-2826	SHIM .005	FRONT COUNTERSHAFT BRG
S-11413	2803-S-2827	SHIM .008	FRONT COUNTERSHAFT BRG
S-11414	2803-W-2831	SHIM .018	FRONT COUNTERSHAFT BRG
S-12006	3105-K-1155	RETAINER	INPUT SHAFT
S-F361	3107-G-1073	CLUTCH COLLAR	9, 10, 13 SPEED TRANSMISSIONS
S-D971	A-3280-X-9072	FILTER REGULATOR ASSEMBLY*	9 AND 10 SPEEDS
S-11700	3297-N-1366	COUNTERSHAFT	10 SPEED DIRECT DRIVE AND OVERDRIVE "A" & "C" RATIOS
S-11205	3892-W-5015	GEAR-MAINSHAFT	9, 10 AND 13 SPEEDS
S-11644	3892-Y-5017	COUNTERSHAFT GEAR	9 & 10 SPEEDS DIRECT AND 13 SPEED
S-E625	3892-G-5025	M.S. GEAR 60 TEETH	9 SPEED 2ND DIRECT & OVERDRIVE "A" RATIO 10 SPEED 3RD DIRECT & OVERDRIVE "A" RATIO 13 SPEED 2ND OVERDRIVE
S-11206	3892-Q-5035	GEAR-COUNTERSHAFT	9, 10 AND 13 SPEEDS
S-10098	3892-M-5135	GEAR-COUNTERSHAFT	MODEL 9B TRANSMISSIONS - 62 TEETH
S-10148	3892-T-5142	GEAR-COUNTERSHAFT	SERIES 9B TRANSMISSIONS - 73 TOOTH
S-10050	3892-V-5144	MAIN DRIVE GEAR	SERIES 9B TRANSMISSIONS
S-11962	3892-H-5156	GEAR-COUNTERSHAFT	9 AND 10 SPEED - OD "A" RATIO
S-11174	3892-K-5159	GEAR COUNTERSHAFT	9 SPEED OVERDRIVE RATIO "A" & "R"
S-E623	3892-F-5232	M.S. DRIVE GEAR 60 TEETH	10 SPEED OVERDRIVE "A" RATIO
S-E624	3892-K-5315	M.S. 3RD GEAR	9 SPEED DIRECT 115, 125
S-E622	3892-L-5316	AUX. DRIVE GEAR 38 TEETH USE KIT-5396	9, 10, 13 SPEEDS "A" RATIO
S-11175	3892-M-5395	AUX. DRIVE GEAR 38 TEETH	9, 10, 13 SPEEDS 134, 145, 155
S-11176	3892-N-5396	AUX. DRIVE GEAR 38 TEETH	9 AND 10 SPEED RATIOS "A" ONLY
S-11173	3892-F-5414	AUX. DRIVE GEAR 38 TEETH	10 SPEED DIR AND OVERDRIVE "A" RATIO
S-10138	KIT-5250	GEAR-MAINSHAFT	10 SPEED DIR AND OVERDRIVE "A" RATIO
S-11171	KIT-5270	GEAR-COUNTERSHAFT	10 SPEED DIR AND OVERDRIVE "A" RATIO
S-11172	KIT-5289	GEAR-MAINSHAFT	10 SPEED OVERDRIVES
S-13460	KIT-5363	O-RING KIT	FITS 9 AND 10 SPEED TRANSMISSION
S-11410	KIT-5364	SYNCHRONIZER KIT	9, 10 AND 13 SPEEDS
S-10309	KIT-5367	SYNCHRONIZER KIT	9, 10 AND 13 SPEEDS
S-E904	KIT-5385	MAINSHAFT KIT	10 SPEEDS
S-A947	KIT-5389	SHIM KIT	MAIN COUNTERSHAFT
S-11536	KIT-5396	INPUT SHAFT KIT	9, 10 AND 13 SPEEDS
S-11537	KIT-5397	SLAVE VALVE KIT*	FITS 9, 10 AND 13 SPEED TRANSMISSION
		OIL SEAL ASSEMBLY	9 AND 13 SPEEDS
		GEAR KIT	9 AND 10 SPEEDS - "A" & "C" RATIOS
		AUX DRIVE GEAR KIT	9 AND 10 SPEEDS - "A" RATIOS

NEWSTAR REPLACEMENT AIR VALVES

APPLICATION: ARVIN MERITOR TRANSMISSIONS



NEWSTAR NO.
S-D971
REPLACEMENT FOR PART NUMBER:
A-3280-X-9072



NEWSTAR NO.
S-E904
REPLACEMENT FOR PART NUMBER:
KIT-5385

LATEST ADDITIONS TO OUR CATALOG

ALL PARTS SUPPLIED ARE S&S/NEWSTAR. USE OF OTHER MANUFACTURERS' NAMES, PART NUMBERS, OR TRADEMARKS ARE FOR INFORMATIONAL AND IDENTIFICATION PURPOSES ONLY. PRICES ARE SUBJECT TO CHANGE OR WITHDRAWAL WITHOUT NOTICE.

NEWSTAR REPLACEMENT GEARS AND PARTS

APPLICATION: EATON/FULLER TRANSMISSIONS

NEWSTAR NUMBER	REPLACEMENT FOR PART NUMBER	DESCRIPTION	MODEL APPLICATIONS (ALSO SEE OUR CHART ON THE FOLLOWING PAGE FOR MORE INFORMATION ON SELECT PRODUCT)
S-3103	A-3546	VALVE ASSY	
S-4402	A-3697	KEY & PIN	
S-5027	A-3990	KEY & PIN	
S-3291	A-3991	SLAVE VALVE ASSY	
S-6529	A-4041	AIR FILTER ASSY	MULTIPLE APPLICATIONS
S-4566	A-4091	MAINSHAFT ASSY	
S-4566	A-4114	MAINSHAFT ASSY	
S-2067	A-4330	COUNTERSHAFT ASSY	
S-5800	A-4335	COUNTERSHAFT ASSY	
S-9276	A-4389	AUX. MAINSHAFT ASSY	
S-2066	A-4413	MAINSHAFT ASSY	
S-4303	A-4414	MAINSHAFT ASSY	
S-9069	A-4421	AUX. COUNTERSHAFT	
S-8011	A-4487	SELECTOR VALVE	
S-8800	A-4490	SELECTOR VALVE	
S-5494	A-4491	SELECTOR VALVE	
S-6531	A-4520	AUX. COUNTERSHAFT ASSY	
S-3291	A-4688	SLAVE VALVE ASSY	
S-C103	A-4723	AUX. COUNTERSHAFT	
S-5295	A-4725	AUX. COUNTERSHAFT	
S-A921	A-4728	AUX. COUNTERSHAFT	
S-4305	A-4736	MAINSHAFT ASSY	
S-4306	A-4738	MAINSHAFT ASSY	
S-9146	A-4740	FILTER/REGULATOR ASSY	
S-7389	A-4819	COUNTERSHAFT ASSY	
S-5496	A-4900	RANGE VALVE - SEE A-6913	
S-5295	A-4957	AUX. COUNTERSHAFT	
S-8030	A-5000	SLAVE VALVE	
S-5497	A-5010	RANGE VALVE - SEE A-6909	
S-5498	A-5015	RANGE VALVE - SEE A-6915	
S-C530	A-5022	INPUT SHAFT	7608LL
S-D404	A-5030	COUNTERSHAFT ASSEMBLY	RT-8609
S-9972	A-5156	AUX. MAINSHAFT	
S-E072	A-5158	COUNTERSHAFT ASSY	
S-11759	A-5159	SHIFT FORK	RT,RT0,RTX11715,14715,15715 RT011708LL,14708LL
S-8821	A-5401	SYNCHRONIZER	FS4005,5005 MID RANGE
S-13175	A-5474	YOKE ASSEMBLY	RT11710,12710,13710,14710,15710,16710
S-8822	A-5693	SYNCHRONIZER	FS4005,5005,6206 MID RANGE
S-11521	A-5735	AUX COUNTERSHAFT	RT8609,11609,12609,13609
S-11246	A-5882	AUX COUNTERSHAFT	
S-D745	A-6137	SYNCHRONIZER	
S-D746	A-6144	SYNCHRONIZER	FS4205A,B,C MID RANGE
S-10443	A-6156	SYNCHRONIZER	
S-13173	A-6163	RANGE YOKE ASSEMBLY	
S-13176	A-6188	YOKE ASSEMBLY	
S-13178	A-6224	FORK & RAIL ASSEMBLY	
S-11427	A-6299	SLEEVE ASSY W/SEAL	RT0,RT0F11707LL,13707MLL,14719MLL,14715,15615

LATEST ADDITIONS TO OUR CATALOG

ALL PARTS SUPPLIED ARE S&S/NEWSTAR. USE OF OTHER MANUFACTURERS' NAMES, PART NUMBERS, OR TRADEMARKS ARE FOR INFORMATIONAL AND IDENTIFICATION PURPOSES ONLY. PRICES ARE SUBJECT TO CHANGE OR WITHDRAWAL WITHOUT NOTICE.

NEWSTAR REPLACEMENT GEARS AND PARTS

APPLICATION: EATON/FULLER TRANSMISSIONS

MODEL APPLICATION

	610	613	910	915	4005	5106	5205	5306	6106	6205	6306	6610	6613	9509	9513	11608	11609	11613	11707	12509	12510	12513	12515	12609	12713	14608	14609	14610	14613	14615	14618	14710	14713	14715	14718	14918	15618	15710	15715	16618	16713	16718	16918	18718	18918	20918									
S-3103	X		X	X									X	X	X		X			X	X	X	X				X	X	X	X																									
S-4402			X	X												X				X	X	X	X				X	X	X	X																									
S-5027	X											X	X																		X																								
S-3291	X	X	X	X								X	X	X	X		X			X	X	X	X				X	X	X	X																									
S-6529																																																							
S-4566			X	X											X	X																																							
S-4566			X	X											X	X																																							
S-2067																X												X																											
S-5800																								X																															
S-9276																							X																																
S-2066			X	X																																																			
S-4303																					X								X																										
S-9069																X							X																																
S-8011	X	X	X	X								X	X	X	X					X	X	X	X				X	X	X	X																									
S-8800	X	X	X	X								X	X	X	X					X	X	X	X				X	X	X	X																									
S-5494	X	X	X	X								X	X	X	X					X	X	X	X				X	X	X	X																									
S-6531				X																																																			
S-3291	X	X	X	X								X	X	X	X		X			X	X	X	X				X	X	X	X																									
S-C103																											X																												
S-5295				X																																																			
S-A921																											X	X																											
S-4305			X	X																																																			
S-4306																																																							
S-9146	X	X	X	X								X	X	X	X		X			X	X	X	X				X	X	X	X																									
S-7389																													X		X																								
S-5496		X											X		X							X								X																									
S-5295																															X																								
S-8030	X	X	X	X								X	X	X	X		X			X	X	X	X				X	X	X	X																									
S-5497	X		X	X								X		X			X			X	X						X	X		X																									
S-5498				X																			X								X																								
S-C530																																																							
S-D404																																																							
S-9972																																																							
S-E072																																																							
S-11759																																																							
S-8821																																																							
S-13175																																																							
S-8822																																																							
S-11521																																																							
S-11246																																																							
S-D745								X			X																																												
S-D746																																																							
S-10443								X																																															
S-13173																													X						X																				
S-13176																												X																											
S-13178																																																							
S-11427																																																							

LATEST ADDITIONS TO OUR CATALOG

ALL PARTS SUPPLIED ARE S&S/NEWSTAR. USE OF OTHER MANUFACTURERS' NAMES, PART NUMBERS, OR TRADEMARKS ARE FOR INFORMATIONAL AND IDENTIFICATION PURPOSES ONLY. PRICES ARE SUBJECT TO CHANGE OR WITHDRAWAL WITHOUT NOTICE.

NEWSTAR REPLACEMENT GEARS AND PARTS

APPLICATION: EATON/FULLER TRANSMISSIONS

NEWSTAR NUMBER	REPLACEMENT FOR PART NUMBER	DESCRIPTION	MODEL APPLICATIONS (ALSO SEE OUR CHART ON THE FOLLOWING PAGE FOR MORE INFORMATION ON SELECT PRODUCT)
S-F232	A-6387	COUNTERSHAFT	RTL013610B,14610B
S-13449	A-6608	SYNCHRONIZER ASSY	
S-13450	A-6609	SYNCHRONIZER ASSY	
S-11245	A-6689	COUNTERSHAFT	
S-F317	A-6756	AUX COUNTERSHAFT	
S-11539	A-6840	AUX COUNTERSHAFT	
S-C462	A-6909	RANGE VALVE-LATE ERGONOMIC DESIGN	REPLACES A5010
S-E467	A-6910	RANGE VALVE-LATE ERGONOMIC DESIGN	REPLACES A5510
S-C461	A-6913	RANGE VALVE-LATE ERGONOMIC DESIGN	REPLACES A4900
S-C460	A-6915	RANGE VALVE-LATE ERGONOMIC DESIGN	REPLACES A5015
S-E648	A-6918	RANGE VALVE-LATE ERGONOMIC DESIGN	REPLACES A5013
S-11203	A-7012	FORK & RAIL ASSEMBLY	
S-E649	A-7313	RANGE VALVE-LATE ERGONOMIC DESIGN	RIGHT HAND DRIVE
S-E650	A-7315	RANGE VALVE-LATE ERGONOMIC DESIGN	RIGHT HAND DRIVE
S-E651	A-7318	RANGE VALVE-LATE ERGONOMIC DESIGN	RIGHT HAND DRIVE
S-6548	G-14534	GEAR	5W43
S-4669	G-15319	GEAR	5W43
S-4661	G-15324	GEAR	5W43
S-2067	K-1013	COUNTERSHAFT	
S-3771	K-1447	O-RING KIT	
S-3772	K-1450	O-RING KIT	
S-3773	K-1451	O-RING KIT	
S-5696	K-1486	AIR FILTER KIT	
S-6517	K-1545	REPL KIT-MAINSHAFT	
S-4308	K-1546	REPL KIT-MAINSHAFT	
S-5743	K-1550	SELECTOR VALVE KIT	
S-8471	K-1553	SELECTOR VALVE KIT	
S-8472	K-1561	SELECTOR VALVE KIT	
S-4405	K-1566	RANGE VALVE KIT	
S-6518	K-1603	GASKET SET	
S-4566	K-1640	MAINSHAFT ASSY	
S-4322	K-1644	REPL KIT-QUILL	
S-7419	K-1650	REPL KIT-DR GEAR	
S-6523	K-1654	SYNCHRONIZER KIT	
S-6520	K-1670	GEAR KIT-HELIX	
S-9043	K-1698	AIR FILTER /REG. KIT	
S-3307	K-1699	SLAVE VALVE KIT	
S-4406	K-1781	GASKET SET	
S-4670	K-1783	GASKET SET - SEE K-2199	
S-5493	K-1786	REPL KIT-DR GEAR - SEE K-2309	
S-4309	K-1787	REPL KIT-DR GEAR - SEE K-2311	
S-4310	K-1788	REPL KIT-DR GEAR - SEE K-2310	
S-9404	K-1826	RANGE VALVE KIT	
S-6521	K-1833	GEAR KIT-SPLITTER	
S-6522	K-1835	GEAR KIT-SPLITTER	
S-5835	K-1847	REPL KIT-DR GEAR	
S-A880	K-1848	AUX. DRIVE GEAR W/O RINGS	RTOF1258LL

NEWSTAR REPLACEMENT GEARS AND PARTS

APPLICATION: EATON/FULLER TRANSMISSIONS

NEWSTAR NUMBER	REPLACEMENT FOR PART NUMBER	DESCRIPTION	MODEL APPLICATIONS (ALSO SEE OUR CHART ON THE FOLLOWING PAGE FOR MORE INFORMATION ON SELECT PRODUCT)
S-9614	K-1850	BEARING & SEAL KIT	
S-9596	K-1856	BEARING & SEAL KIT	906,909,910,913,915,955,958,9508,9509,9513
S-9602	K-1870	BEARING & SEAL KIT	
S-9598	K-1871	BEARING & SEAL KIT	
S-9608	K-1872	BEARING & SEAL KIT	
S-9600	K-1880	BEARING & SEAL KIT	
S-9405	K-1921	RANGE VALVE KIT	
S-9406	K-1922	RANGE VALVE KIT	
S-D419	K-1926	COUNTERSHAFT ASSEMBLY	15615,15715,16915
S-9048	K-1931	GASKET SET	
S-9407	K-1935	SLAVE VALVE KIT	
S-6523	K-1945	SYNCHRONIZER KIT	
S-6524	K-1946	SYNCHRONIZER KIT	
S-6525	K-1947	SYNCHRONIZER KIT	
S-6526	K-1948	SYNCHRONIZER KIT	
S-6527	K-1959	SPLITTER GEAR KIT	
S-9648	K-1960	SPLITTER GEAR KIT	RT011613,11813
S-9649	K-1961	SPLITTER GEAR KIT	RT14613,15613
S-8355	K-1962	SPLITTER GEAR KIT	
S-E772	K-1969	SLEEVE KIT	FOR ALIGNMENT ADAPTER PLATE ON K2424 VALVE KIT
S-9600	K-1973	BEARING & SEAL KIT	11608,609,613,615
S-9608	K-1979	BEARING & SEAL KIT	
S-A128	K-2002	O-RING KIT	RTL014613,7608LL
S-A922	K-2003	PIN AND BUSHING KIT	PART OF S-1607 ISOLATOR - MULTIPLE APPLICATIONS
S-8414	K-2010	RANGE VALVE KIT	
S-9724	K-2017	SYNCHRONIZER KIT	FS5106,6005,6105 MID RANGE
S-8637	K-2018	GEAR KIT	
S-F102	K-2019	UPDATE KIT	
S-9070	K-2027	SPLITTER GEAR KIT	
S-A781	K-2041	BRG. AND SEAL KIT	FS5106,6206 MID RANGE
S-A731	K-2054	O-RING KIT	1707LL/DLL,14708LL,14808LL,16908LL
S-A099	K-2061	GASKET SET	MULTIPLE APPLICATIONS
S-8378	K-2110	GASKET SET	
S-9725	K-2113	SYNCHRONIZER KIT	FS4005,5005 MID RANGE
S-A501	K-2114	SYNCHRONIZER KIT	FS4005,5005 MID RANGE
S-A210	K-2170	FILTER REGULATOR KIT	11707,708,715
S-A732	K-2181	GASKET SET	FS5106,6105,6206,7206 MID RANGE
S-D823	K-2183	SHIM KIT W/SILICONE TUBE	5106,6105,6206,7206 MID RANGE
S-7559	K-2199	GASKET SET	
S-7663	K-2256	OIL SEAL KIT	
S-8474	K-2262	SEAL AND SLINGER KIT	
S-8758	K-2272	MAINSHAFT KIT	
S-D948	K-2277	BEARING & SEAL KIT	
S-D750	K-2284	BEARING & SEAL KIT	11715
S-11446	K-2286	BEARING & SEAL KIT	
S-11447	K-2287	BEARING & SEAL KIT	
S-D933	K-2298	O-RING KIT	RTL0,RTL0F11610B,12610B,13610B,14610B,15610B,16210

NEWSTAR REPLACEMENT GEARS AND PARTS

APPLICATION: EATON/FULLER TRANSMISSIONS

MODEL APPLICATION

	610	613	910	915	4005	5106	5205	5306	6106	6205	6306	6610	6613	9509	9513	11608	11609	11613	11707	12509	12510	12513	12515	12609	12713	14608	14609	14610	14613	14615	14618	14710	14713	14715	14718	14918	15618	15710	15715	16618	16713	16718	16918	18718	18918	20918				
S-9614	X											X																																						
S-9596																																																		
S-9602																												X	X	X																				
S-9598																																																		
S-9608																												X																						
S-9600																	X	X	X																															
S-9405	X		X	X								X		X			X				X	X		X				X	X		X																			
S-9406				X																																														
S-D419																																																		
S-9048	X												X																																					
S-9407	X	X	X	X								X	X	X	X		X				X	X	X	X				X	X	X	X																			
S-6523		X	X	X									X	X	X		X				X	X	X	X				X	X	X	X																			
S-6524		X	X	X									X	X	X		X				X	X	X	X				X	X	X	X																			
S-6525			X	X										X	X																																			
S-6526													X				X				X	X	X	X				X	X	X	X																			
S-6527																		X																																
S-9648																																																		
S-9649																																																		
S-8355																																																		
S-E772																																																		
S-9600																																																		
S-9608																												X																						
S-A128																																																		
S-A922																																																		
S-8414			X									X		X			X				X	X						X	X		X																			
S-9724																																																		
S-8637												X	X																																					
S-F102	X	X										X	X																																					
S-9070																X																																		
S-A781																																																		
S-A731																																																		
S-A099																																																		
S-8378		X											X																																					
S-9725																																																		
S-A501																																																		
S-A210																																																		
S-A732																																																		
S-D823																																																		
S-7559			X	X																	X	X	X	X				X	X	X	X																			
S-7663				X									X									X	X	X																										
S-8474																												X		X																				
S-8758					X																																													
S-D948																																																		
S-D750																																																		
S-11446																																																		
S-11447																																																		
S-D933																																																		

LATEST ADDITIONS TO OUR CATALOG

ALL PARTS SUPPLIED ARE S&S/NEWSTAR. USE OF OTHER MANUFACTURERS' NAMES, PART NUMBERS, OR TRADEMARKS ARE FOR INFORMATIONAL AND IDENTIFICATION PURPOSES ONLY. PRICES ARE SUBJECT TO CHANGE OR WITHDRAWAL WITHOUT NOTICE.

NEWSTAR REPLACEMENT GEARS AND PARTS

APPLICATION: EATON/FULLER TRANSMISSIONS

NEWSTAR NUMBER	REPLACEMENT FOR PART NUMBER	DESCRIPTION	MODEL APPLICATIONS (ALSO SEE OUR CHART ON THE FOLLOWING PAGE FOR MORE INFORMATION ON SELECT PRODUCT)
S-A129	K-2309	DRIVE GEAR	
S-A586	K-2310	DRIVE GEAR KIT	NEW STYLE FOR K1788
S-A587	K-2311	DRIVE GEAR KIT	NEW STYLE FOR K1787
S-E315	K-2315	AUX. DRIVE GEAR	
S-B439	K-2316	DRIVE GEAR REPAIR KIT	11813,14813,15813
S-D981	K-2327	GASKET SET	RT,RTX11709,12709,13709,14709,16709,11710,12710,13710,14710
S-A923	K-2366	KEY AND WASHER KIT	14718LL,14610A,B,15610B,16610,14710,15710,16710
S-8336	K-2424	SLAVE VALVE KIT	
S-A924	K-2439	KEY AND WASHER KIT	14608LL,14610,11613/813,12713,14613/813,14713,ETC
S-8333	K-2445	SYNCHRONIZER	
S-8334	K-2446	SYNCHRONIZER	
S-9047	K-2447	SYNCHRONIZER KIT	
S-8602	K-2448	SYNCHRONIZER KIT	
S-9971	K-2468	CLUTCH INST. KIT	
S-E956	K-2640	DRIVE GEAR KIT	RTL013610B,14610B,15610B,16610B
S-F489	K-2773	BEARING & SEAL KIT	RTL014610B,15610B,16610B,17610B,18610B
S-9596	K-2780	BEARING & SEAL KIT	906,909,910,913,915,955,958,9508,9509,9513
S-C708	K-2804	O-RING KIT	
S-D658	K-2808	AUX. DRIVE GEAR KIT	
S-11448	K-2865	BEARING & SEAL KIT	
S-F375	K-2918	OIL SEAL KIT	RTO,RTOF11908LL,14908LL,16908LL
S-11995	K-2923	RANGE PISTON KIT	11210,12210,13210,14210,15210,16210,17210,18210
S-11449	K-2924	BEARING & SEAL KIT	9210 THRU 18210 SERIES W/ ELECTRONIC SPEEDO
S-11860	K-2958	COUNTERSHAFT KIT	RTX16709B,H,RTL016713
S-10144	K-2960	COUNTERSHAFT KIT	RT1270B,13710B,14710B
S-E336	K-3121	VALVE CONVERSION KIT	LATE GENERATION SPLITTER VALVE KIT
S-C707	K-3122	SPLITTER GEAR KIT	
S-E955	K-3189	DRIVE GEAR KIT	
S-F326	K-3202	AUX COUNTERSHAFT	
S-F327	K-3220	AUX COUNTERSHAFT	
S-11543	K-3243	GEAR KIT-COUNTERSHAFT	RTL011610B,18610B
S-12099	K-3286	BEARING & SEAL KIT	18913-T2
S-F233	K-3288	GASKET SET	RTL014913,16713A,16913A,18913A
S-D586	K-3301	GEAR KIT	
S-13255	K-3303	GEAR UPDATE KIT	
S-10291	K-3331	SPLITTER GEAR KIT	
S-13017	K-3340	BEARING & SEAL KIT	
S-11168	K-3341	O-RING KIT	
S-11450	K-3343	BEARING & SEAL KIT	16913A
S-A925	K-3376	O-RING KIT	FRO, RTLO SERIES, 13 SPEEDS
S-F459	K-3389	CLUTCH KIT	
S-D754	K-3399	ISOLATOR KIT	REPAIR KIT FOR SHIFT LEVER ISOLATORS
S-11491	K-3420	UPDATE KIT	FRO,FR11,12,13,14210C
S-13096	K-3421	SYNCHRONIZER KIT	
S-11189	K-3495	SYNCHRONIZER KIT	FRO SERIES - 10 SPEEDS
S-C608	K-3497	SYNCHRONIZER KIT	MULTIPLE APPLICATIONS
S-D743	K-7004	SYNCHRONIZER KIT	

LATEST ADDITIONS TO OUR CATALOG

ALL PARTS SUPPLIED ARE S&S/NEWSTAR. USE OF OTHER MANUFACTURERS' NAMES, PART NUMBERS, OR TRADEMARKS ARE FOR INFORMATIONAL AND IDENTIFICATION PURPOSES ONLY. PRICES ARE SUBJECT TO CHANGE OR WITHDRAWAL WITHOUT NOTICE.

NEWSTAR REPLACEMENT GEARS AND PARTS

APPLICATION: EATON/FULLER TRANSMISSIONS

MODEL APPLICATION

	610	613	910	915	4005	5106	5205	5306	6106	6205	6306	6610	6613	9509	9513	11608	11609	11613	11707	12509	12510	12513	12515	12609	12713	14608	14609	14610	14613	14615	14618	14710	14713	14715	14718	14918	15618	15710	15715	16618	16713	16718	16918	18718	18918	20918					
S-A129																	X										X																								
S-A586																																																			
S-A587																																																			
S-E315																		X												X																					
S-B439																																																			
S-D981																																																			
S-A923																																																			
S-8336	X	X	X	X								X	X	X	X		X			X	X	X	X				X	X	X	X																					
S-A924																																																			
S-8333		X	X	X									X	X	X		X			X	X	X	X				X	X	X	X																					
S-8334		X	X	X									X	X	X		X			X	X	X	X				X	X	X	X																					
S-9047		X	X	X									X	X	X		X			X	X	X	X				X	X	X	X																					
S-8602		X	X	X									X	X	X		X			X	X	X	X				X	X	X	X																					
S-9971																	X			X	X	X	X				X	X	X	X																					
S-E956																																																			
S-F489																																																			
S-9596																																																			
S-C708																										X											X							X	X		X				
S-D658																																																			
S-11448																																																			
S-F375																																																			
S-11995																																																			
S-11449																																																			
S-11860																																																			
S-10144																																																			
S-E336																																																			
S-C707																																																			
S-E955																													X		X																				
S-F326																																																			
S-F327																																																			
S-11543																																																			
S-12099																																																			
S-F233																																																			
S-D586							X																																												
S-13255							X																																												
S-10291								X																																											
S-13017																																																			
S-11168																											X																								
S-11450																																																			
S-A925																																																			
S-F459							X			X																																									
S-D754																																																			
S-11491																																																			
S-13096							X	X			X	X																																							
S-11189																																																			
S-C608																																																			
S-D743							X			X																																									

LATEST ADDITIONS TO OUR CATALOG

ALL PARTS SUPPLIED ARE S&S/NEWSTAR. USE OF OTHER MANUFACTURERS' NAMES, PART NUMBERS, OR TRADEMARKS ARE FOR INFORMATIONAL AND IDENTIFICATION PURPOSES ONLY. PRICES ARE SUBJECT TO CHANGE OR WITHDRAWAL WITHOUT NOTICE.

NEWSTAR REPLACEMENT GEARS AND PARTS

APPLICATION: EATON/FULLER TRANSMISSIONS

NEWSTAR NUMBER	REPLACEMENT FOR PART NUMBER	DESCRIPTION	MODEL APPLICATIONS (ALSO SEE OUR CHART ON THE FOLLOWING PAGE FOR MORE INFORMATION ON SELECT PRODUCT)
S-D744	K-7005	SYNCHRONIZER KIT	FS4205A,B,C MID RANGE
S-10444	K-7027	SYNCHRONIZER KIT	
S-D470	K-7030	GASKET SET	
S-E593	K-7032	BEARING & SEAL KIT	
S-6507	S-1128	INPUT SHAFT ASSY	
S-6508	S-1130	INPUT SHAFT ASSY	
S-6509	S-1131	INPUT SHAFT ASSY	
S-6510	S-1133	INPUT SHAFT ASSY	
S-2066	S-1150	MAINSHAFT ASSY	
S-6511	S-1252	INPUT SHAFT ASSY	
S-6512	S-1253	INPUT SHAFT ASSY	
S-6513	S-1254	INPUT SHAFT ASSY	
S-6514	S-1255	INPUT SHAFT ASSY	
S-4566	S-1340	MAINSHAFT ASSY	
S-6515	S-1341	MAINSHAFT ASSY	
S-8820	S-1409	INPUT SHAFT ASSY	
S-6516	S-1501	INPUT SHAFT ASSY	
S-A926	S-1607	ISOLATOR ASSY	11707LL,DLL,8608L,13707,6609,8609,8709,11609,12609
S-6519	S-1659	INPUT SHAFT ASSY	
S-A600	S-1661	INPUT SHAFT ASSY	8607,11607,707,605,13707,14607 W/BUSHING
S-9078	S-2120	MAINSHAFT ASSY	
S-E912	S-2395	INPUT SHAFT	EARLY VERSION FOR SUPER 10-12210,12210,13210,14210
S-11527	S-2560	MAINSHAFT ASSY.	RTL018918,20918,T2,22918A,A52
S-F024	S-2562	MAINSHAFT ASSY	
S-F234	S-2688	MAINSHAFT ASSY	RTX12710,13710,14710,15710,16710B,C
S-11785	S-2737	MAINSHAFT ASSY	RTL011610B,12610B,13610B,14610B,15610B,16610B
S-E911	S-2822	INPUT SHAFT ASSY	FOR SUPER 10-15210C,16210C
S-13434	S-2928	INPUT SHAFT ASSY	11609,12609,11615,11715
S-5753	X12-1202	PLUG	
S-8534	6074	CLUTCH GEAR	5A43,430,R46
S-5501	8677	BUSHING	
S-2713	8997	NUT	
S-6533	10180	SLEEVE	5W43
S-7390	11956	NUT	
S-9164	12128	NUT	
S-5761	12815	BUSHING (QTY PKG 10).	
S-6536	12845	STREET 1/8"(QTY PKG 10)	
S-6537	12881	PIPE TEE 1/8"	
S-6539	13977	GEAR	5W43
S-6540	13981	GEAR	5W43
S-6541	13986	CLUTCH	5W43
S-5746	14267	FRONT BEARING COVER	
S-4345	14273	WASHER	
S-2406	14274	WASHER	
S-2407	14275	WASHER	
S-5867	14276	WASHER	
S-5868	14277	WASHER	

NEWSTAR REPLACEMENT GEARS AND PARTS

APPLICATION: EATON/FULLER TRANSMISSIONS

NEWSTAR NUMBER	REPLACEMENT FOR PART NUMBER	DESCRIPTION	MODEL APPLICATIONS (ALSO SEE OUR CHART ON THE FOLLOWING PAGE FOR MORE INFORMATION ON SELECT PRODUCT)
S-2408	14278	WASHER	
S-5870	14279	WASHER	
S-8173	14284	COUNTERSHAFT	
S-F450	14287	BEARING	MULTIPLE APPLICATIONS
S-9115	14289	SNAP RING (QTY PKG 10)	
S-5540	14291	SNAP RING	MULTIPLE APPLICATIONS
S-6542	14303	GEAR-COUNTERSHAFT	
S-8689	14311	GASKET	
S-4595	14317	SNAP RING	
S-6543	14326	AUX.M.S.GEAR	
S-D755	14327	SNAP RING	MULTIPLE APPLICATIONS
S-A691	14330	WASHER	RT9508/9 SPDS 909A THRU 12509
S-9832	14331	SPACER, LOW GEAR	MULTIPLE APPLICATIONS
S-6544	14332	WASHER	
S-8690	14335	GASKET	
S-4366	14337	OIL SEAL	
S-C661	14341	PISTON	RANGE CYLINDER
S-13518	14367	BEARING	MULTIPLE APPLICATIONS
S-5541	14370	FRONT BEARING COVER	
S-1730	14486	GEAR-MAIN DRIVE	
S-1731	14487	GEAR-MAINSHAFT	
S-6545	14488	GEAR-MAINSHAFT	
S-6546	14491	GEAR-MAINSHAFT	
S-6547	14519	CLUTCH	5W43
S-4662	14522	COLLAR	5W43
S-8904	14651	VALVE	
S-6549	14654	SLIDING CLUTCH	T905,955
S-6550	14655	GEAR-MAINSHAFT	
S-6551	14656	GEAR-MAINSHAFT	
S-5521	14658	SHIFT BLOCK	
S-5624	14659	SHIFT BLOCK	
S-6552	14660	INPUT SHAFT	
S-4663	14661	INPUT SHAFT	
S-6553	14709	SLIDING CLUTCH	
S-4156	14711	WASHER	
S-5530	14712	WASHER	
S-5871	14713	WASHER	
S-5872	14714	WASHER	
S-5873	14715	WASHER	
S-5874	14716	WASHER	
S-6554	14725	MAIN DRIVE GEAR	
S-5520	14745	MAIN DRIVE GEAR	
S-4157	14749	WASHER	
S-4596	14750	SNAP RING (QTY PKG 10)	
S-6555	14775	MAINSHAFT	5W43
S-6556	14792	MAIN DRIVE GEAR	5W43
S-6558	14886	GEAR-COUNTERSHAFT	

NEW STAR NUMBER	REPLACEMENT FOR PART NUMBER	DESCRIPTION	MODEL APPLICATIONS (ALSO SEE OUR CHART ON THE FOLLOWING PAGE FOR MORE INFORMATION ON SELECT PRODUCT)
S-2821	14897	SPRING(QTY PACK OF 100)	
S-8691	14918	GASKET	
S-7391	15019	FRONT BEARING COVER	
S-5029	15097	FORK ASSEMBLY	
S-7392	15110	INPUT SHAFT	
S-7393	15111	FRONT BEARING COVER	
S-E918	15260	BEARING	MULTIPLE APPLICATIONS
S-6559	15316	COUNTERSHAFT	5W43
S-6560	15318	COUNTERSHAFT	5W43
S-5612	15385	WASHER	
S-4394	15446	WASHER	
S-3774	15512	VALVE-SEE 19974	
S-6562	15518	GEAR-AUX. DRIVE	
S-5156	15770	SHIFT BLOCK	
S-3856	15918	SPRING-QTY PACK OF 100	
S-5031	15932	WASHER	
S-5925	15959	SLIDING CLUTCH	RTF11615,RTO,RTOF11608LL
S-6563	15972	GEAR	
S-6564	15974	CLUTCH	
S-6565	16001	GEAR-MAIN DRIVE	
S-6566	16002	GEAR-MAINSHAFT	
S-6567	16003	GEAR-COUNTERSHAFT	
S-7394	16021	SLIDING CLUTCH	
S-4567	16118	SLIDING CLUTCH	
S-A879	16131	FORK, LOW & REVERSE	MULTIPLE APPLICATIONS
S-3299	16135	SHIFT YOKE	
S-3298	16136	SHIFT YOKE	
S-7395	16226	SLIDING CLUTCH	
S-6568	16227	GEAR-MAINSHAFT	
S-6569	16228	GEAR-MAINSHAFT	
S-6570	16229	GEAR-MAINSHAFT	
S-6571	16230	GEAR-MAINSHAFT	
S-9140	16236	AUX. DRIVE GEAR	
S-5927	16241	SLIDING CLUTCH	
S-6572	16245	MAINSHAFT	
S-5856	16246	GEAR-MAINSHAFT	
S-9037	16250	GEAR-COUNTERSHAFT	
S-9038	16251	GEAR-COUNTERSHAFT	
S-9039	16252	GEAR-COUNTERSHAFT	
S-9040	16253	GEAR-COUNTERSHAFT	
S-7396	16258	SLIDING CLUTCH	
S-3664	16267	SHIFT YOKE	
S-12027	16288	SPACER	RTL011608,14608,RTL011610B,12610B,13610B,14610B
S-3659	16300	SHIFT YOKE	
S-5875	16310	WASHER	
S-5923	16463	DRIVE GEAR SPACER	
S-7397	16465	INPUT SHAFT	

NEWSTAR REPLACEMENT GEARS AND PARTS

APPLICATION: EATON/FULLER TRANSMISSIONS

MODEL APPLICATION

	610	613	910	915	4005	5106	5205	5306	6106	6205	6306	6610	6613	9509	9513	11608	11609	11613	11707	12509	12510	12513	12515	12609	12713	14608	14609	14610	14613	14615	14618	14710	14713	14715	14718	14918	15618	15710	15715	16618	16713	16718	16918	18718	18918	20918										
S-2821																	X																																							
S-8691			X	X											X	X	X			X	X	X	X				X	X	X	X																										
S-7391													X	X																																										
S-5029		X										X	X																																											
S-7392			X	X											X	X																																								
S-7393			X	X											X	X	X			X	X	X	X				X	X	X	X																										
S-E918																																																								
S-6559																																																								
S-6560																																																								
S-5612				X												X																																								
S-4394													X	X																																										
S-3774		X											X	X								X																																		
S-6562			X	X																																																				
S-5156			X	X											X	X	X			X	X	X	X				X	X	X	X																										
S-3856	X	X	X	X								X	X	X	X		X			X	X	X	X				X	X	X	X																										
S-5031																					X			X					X																											
S-5925																																																								
S-6563	X	X																																																						
S-6564	X	X																																																						
S-6565			X	X																																																				
S-6566			X	X																																																				
S-6567			X	X																																																				
S-7394			X	X											X	X																																								
S-4567																				X	X	X	X				X	X	X	X																										
S-A879																																																								
S-3299																	X			X	X	X						X	X	X																										
S-3298																	X			X	X	X						X	X	X																										
S-7395													X	X																																										
S-6568													X	X																																										
S-6569	X	X																																																						
S-6570	X	X																																																						
S-6571	X	X																																																						
S-9140	X																																																							
S-5927														X																																										
S-6572													X																																											
S-5856	X	X																																																						
S-9037		X																																																						
S-9038		X																																																						
S-9039		X																																																						
S-9040		X																																																						
S-7396			X	X												X																																								
S-3664			X	X											X	X																																								
S-12027																											X		X																											
S-3659	X	X										X	X																																											
S-5875			X	X											X																																									
S-5923																	X			X	X	X	X					X	X	X	X																									
S-7397																	X			X	X	X	X					X	X	X																										

LATEST ADDITIONS TO OUR CATALOG

ALL PARTS SUPPLIED ARE S&S/NEWSTAR. USE OF OTHER MANUFACTURERS' NAMES, PART NUMBERS, OR TRADEMARKS ARE FOR INFORMATIONAL AND IDENTIFICATION PURPOSES ONLY. PRICES ARE SUBJECT TO CHANGE OR WITHDRAWAL WITHOUT NOTICE.

NEWSTAR REPLACEMENT GEARS AND PARTS

APPLICATION: EATON/FULLER TRANSMISSIONS

NEWSTAR NUMBER	REPLACEMENT FOR PART NUMBER	DESCRIPTION	MODEL APPLICATIONS (ALSO SEE OUR CHART ON THE FOLLOWING PAGE FOR MORE INFORMATION ON SELECT PRODUCT)
S-3075	16516	BUSHING QTY PKG 10	
S-5431	16519	GEAR-MAINSHAFT	
S-2192	16566	BUSHING QTY PKG 4	
S-7398	16593	GEAR-MAINSHAFT	
S-D935	16628	SNAP RING	MULTIPLE APPLICATIONS
S-5924	16658	UPSHIFT BRAKE PISTON	
S-C017	16673	GEAR-MAINSHAFT	
S-5436	16674	GEAR-MAINSHAFT	
S-5430	16675	GEAR-COUNTERSHAFT	
S-7399	16705	GEAR-MAINSHAFT	
S-6573	16706	GEAR-COUNTERSHAFT	
S-7400	16707	GEAR-MAINSHAFT	
S-6574	16708	GEAR-COUNTERSHAFT	
S-7401	16709	GEAR-MAINSHAFT	
S-6575	16710	GEAR-COUNTERSHAFT	
S-2452	16711	GEAR-MAINSHAFT	
S-2453	16713	GEAR-MAINSHAFT	
S-7402	16715	GEAR-AUX. DRIVE	
S-7403	16716	SLIDING CLUTCH	
S-2056	16717	GEAR-MAINSHAFT	
S-7404	16720	GEAR-MAIN DRIVE	
S-7405	16721	GEAR-COUNTERSHAFT	
S-11347	16722	SNAP RING	MULTIPLE APPLICATIONS
S-4597	16723	SNAP RING (QTY PKG 10)	
S-6576	16727	MAIN DRIVE GEAR	
S-5437	16729	GEAR-MAINSHAFT	
S-A466	16733	GEAR-MAINSHAFT	RT9508,RT0958LLB,RT09505B,RT009513
S-2022	16743	REGULATOR VALVE	
S-6577	16746	GEAR-MAINSHAFT	
S-6578	16747	GEAR-COUNTERSHAFT	
S-7406	16748	GEAR-MAINSHAFT	
S-7407	16749	GEAR-COUNTERSHAFT	
S-7408	16750	GEAR-MAINSHAFT	
S-4180	16751	GEAR-COUNTERSHAFT	
S-4184	16752	GEAR-MAINSHAFT	
S-7409	16753	GEAR-COUNTERSHAFT	
S-7410	16754	GEAR-MAINSHAFT	
S-7411	16756	GEAR-MAINSHAFT	
S-10344	16757	REV IDLER GEAR	MULTIPLE APPLICATIONS
S-7419	16758	USE 17452	
S-7412	16759	SLIDING CLUTCH	
S-4598	16763	SNAP RING (QTY PKG 10)	
S-3662	16775	SHIFT YOKE	
S-9421	16777	CYLINDER,AUXILIARY	
S-10483	16778	CYLINDER	MULTIPLE APPLICATIONS
S-5790	16805	MAINSHAFT	
S-6579	16809	GEAR-AUX. DRIVE	

NEWSTAR REPLACEMENT GEARS AND PARTS

APPLICATION: EATON/FULLER TRANSMISSIONS

MODEL APPLICATION

	610	613	910	915	4005	5106	5205	5306	6106	6205	6306	6610	6613	9509	9513	11608	11609	11613	11707	12509	12510	12513	12515	12609	12713	14608	14609	14610	14613	14615	14618	14710	14713	14715	14718	14918	15618	15710	15715	16618	16713	16718	16918	18718	18918	20918												
S-3075			X	X											X						X	X	X					X	X	X																												
S-5431																								X																																		
S-2192	X		X	X											X	X	X			X	X	X	X					X	X	X	X																											
S-7398	X	X	X	X								X	X	X	X					X	X	X	X					X	X	X	X																											
S-D935																																																										
S-5924	X	X										X	X				X																																									
S-C017																				X																																						
S-5436																				X	X										X																											
S-5430																				X	X										X																											
S-7399															X	X																																										
S-6573															X	X																																										
S-7400															X	X																																										
S-6574															X	X																																										
S-7401															X	X																																										
S-6575															X																																											
S-2452															X	X																																										
S-2453															X	X																																										
S-7402																X																																										
S-7403			X	X											X	X																																										
S-2056																X																																										
S-7404															X	X																																										
S-7405															X	X																																										
S-11347																																																										
S-4597	X	X	X	X								X	X	X	X		X			X	X	X	X				X	X	X	X																												
S-6576															X																																											
S-5437															X																																											
S-A466																																																										
S-2022	X	X	X	X								X	X	X	X					X	X	X	X					X	X	X	X																											
S-6577																							X																																			
S-6578																							X																																			
S-7406																				X		X																																				
S-7407																				X		X																																				
S-7408																				X		X																																				
S-4180																				X		X																																				
S-4184																				X		X																																				
S-7409																				X		X																																				
S-7410																	X			X		X						X		X																												
S-7411																	X			X		X						X		X																												
S-10344																																																										
S-7419																							X																																			
S-7412													X		X		X			X	X	X	X					X	X	X	X																											
S-4598	X	X	X	X								X	X	X	X		X			X	X	X	X				X	X	X	X																												
S-3662			X	X									X	X	X		X			X	X	X	X				X	X	X	X																												
S-9421				X											X							X	X							X																												
S-10483																																																										
S-5790													X																																													
S-6579													X																																													

LATEST ADDITIONS TO OUR CATALOG

ALL PARTS SUPPLIED ARE S&S/NEWSTAR. USE OF OTHER MANUFACTURERS' NAMES, PART NUMBERS, OR TRADEMARKS ARE FOR INFORMATIONAL AND IDENTIFICATION PURPOSES ONLY. PRICES ARE SUBJECT TO CHANGE OR WITHDRAWAL WITHOUT NOTICE.

NEWSTAR REPLACEMENT GEARS AND PARTS

APPLICATION: EATON/FULLER TRANSMISSIONS

NEWSTAR NUMBER	REPLACEMENT FOR PART NUMBER	DESCRIPTION	MODEL APPLICATIONS (ALSO SEE OUR CHART ON THE FOLLOWING PAGE FOR MORE INFORMATION ON SELECT PRODUCT)
S-6580	16811	SLIDING CLUTCH	
S-5342	16815	GEAR-MAINSHAFT	
S-2938	16830	SWITCH	
S-4397	16859	ACTUATOR VALVE	
S-5635	16886	GEAR-MAIN DRIVE	
S-5391	16887	GEAR-COUNTERSHAFT	
S-5636	16888	GEAR-MAINSHAFT	
S-5392	16889	GEAR-COUNTERSHAFT	
S-7413	16941	GEAR-MAINSHAFT	
S-4045	16942	GEAR-COUNTERSHAFT	
S-7414	16943	GEAR-MAINSHAFT	
S-7415	16944	GEAR-COUNTERSHAFT	
S-6581	16945	GEAR-MAINSHAFT	
S-6582	16946	GEAR-COUNTERSHAFT	
S-6583	16947	GEAR-MAINSHAFT	
S-4281	16949	GEAR-MAINSHAFT	
S-9063	16980	SNAP RING	
S-7416	17059	SHIFT FORK	
S-8489	17070	CYLINDER, AUX	
S-8490	17071	CYLINDER	
S-7417	17078	GEAR-AUX. DRIVE	
S-A825	17109	HEX KEY	
S-5395	17121	GEAR-MAIN DRIVE	
S-5396	17122	GEAR-COUNTERSHAFT	
S-5835	17214	REPL KIT-DR GEAR - SEE K-1847	
S-5397	17217	GEAR-MAINSHAFT	
S-5398	17242	SLIDING CLUTCH	
S-5399	17247	GEAR-MAINSHAFT	
S-5533	17248	WASHER	
S-5876	17255	WASHER	
S-5877	17256	WASHER	
S-5878	17257	WASHER	
S-5879	17258	WASHER	
S-9424	17259	WASHER	
S-9425	17260	WASHER	
S-7419	17452	GEAR-USE K-1650	
S-A164	17453	O-RING QTY. PACK OF 2	K1786,K1787,K1788,K2309,K2310,K2311 DRIVE GEAR KITS
S-2206	17568	GEAR-MAIN DRIVE	
S-7420	17569	GEAR-COUNTERSHAFT	
S-8381	17694	LEVER	
S-5926	17894	AUX. DRIVE GEAR	RTF1110
S-6584	17910	SLIDING CLUTCH	
S-6585	17911	COUPLER-MAINSHAFT	
S-6586	17912	SLIDING CLUTCH	
S-7421	17913	SLIDING CLUTCH	
S-4565	17914	COUPLER-MAINSHAFT	
S-5749	18019	AUX. M.S. WASHER	

NEWSTAR REPLACEMENT GEARS AND PARTS

APPLICATION: EATON/FULLER TRANSMISSIONS

NEWSTAR NUMBER	REPLACEMENT FOR PART NUMBER	DESCRIPTION	MODEL APPLICATIONS (ALSO SEE OUR CHART ON THE FOLLOWING PAGE FOR MORE INFORMATION ON SELECT PRODUCT)
S-E323	18128	DOWEL PIN REAR CASE	MULTIPLE APPLICATIONS
S-2055	18192	COUPLER-MAINSHAFT	
S-2054	18193	COUPLER-MAINSHAFT	
S-4586	18250	WASHER	
S-4587	18251	WASHER	
S-9074	18387	INPUT SHAFT	
S-6587	18438	GEAR-MAIN DRIVE	
S-4839	18439	SLIDING CLUTCH	
S-6588	18440	GEAR-MAINSHAFT	
S-6514	18446	INPUT SHAFT ASSY - SEE S-1255	
S-5438	18448	GEAR-MAIN DRIVE	
S-6589	18449	GEAR-MAINSHAFT	
S-13267	18520	GEAR-MAINSHAFT	RTO12509,RT1258LL
S-6590	18665	MAINSHAFT	
S-6591	18666	MAINSHAFT	
S-6592	18667	GEAR-AUX. DRIVE	
S-5633	18725	GEAR-AUX. DRIVE	
S-A927	18922	SHIFT FORK	
S-7423	18994	GEAR-MAINSHAFT	
S-6593	18995	SLIDING CLUTCH	
S-7424	18996	SLIDING CLUTCH	
S-11758	19063	SHIFT BLOCK - 9 & 10 SPEED HEAVY DUTY	
S-A928	19110	OIL SEAL	
S-4375	19128	SHIFT YOKE	
S-5432	19129	COUPLER-MAINSHAFT	
S-4282	19131	COUPLER-MAINSHAFT	
S-7425	19132	SLIDING CLUTCH	
S-8715	19165	GEAR-MAINSHAFT	
S-A700	19203	SPACER	
S-5699	19205	GEAR-MAINSHAFT	
S-5535	19206	GEAR-MAINSHAFT	
S-5700	19207	GEAR-MAINSHAFT	
S-5539	19209	COUNTERSHAFT	
S-5538	19210	GEAR-COUNTERSHAFT	
S-4885	19220	GEAR-MAINSHAFT	
S-A088	19221	GEAR-MAINSHAFT	
S-6601	19223	GEAR-MAINSHAFT - USE 20388	
S-7883	19238	GEAR-COUNTERSHAFT - USE 4305069	
S-5519	19240	GEAR-COUNTERSHAFT - USE 21020	
S-5518	19241	GEAR-MAIN DRIVE - USE 21021	
S-7226	19242	GEAR-MAINSHAFT - USE 20391	
S-7227	19243	GEAR-COUNTERSHAFT - USE 20392	
S-7224	19246	GEAR-MAINSHAFT - USE 20389	
S-6602	19247	GEAR-COUNTERSHAFT - USE 20471	
S-5493	19254	USE K-1786	
S-6599	19268	GEAR-MAINSHAFT - USE 20381	
S-4309	19275	USE K-1787	

NEWSTAR REPLACEMENT GEARS AND PARTS

APPLICATION: EATON/FULLER TRANSMISSIONS

MODEL APPLICATION

	610	613	910	915	4005	5106	5205	5306	6106	6205	6306	6610	6613	9509	9513	11608	11609	11613	11707	12509	12510	12513	12515	12609	12713	14608	14609	14610	14613	14615	14618	14710	14713	14715	14718	14918	15618	15710	15715	16618	16713	16718	16918	18718	18918	20918											
S-E323																																																									
S-2055			X												X																X																										
S-2054																					X	X	X						X	X																											
S-4586			X	X											X																																										
S-4587																						X									X																										
S-9074															X																																										
S-6587	X																															X																									
S-4839	X											X					X															X																									
S-6588	X																														X																										
S-6514												X	X																																												
S-5438	X	X																																																							
S-6589	X	X																																																							
S-13267																																																									
S-6590												X																																													
S-6591												X																																													
S-6592	X											X																																													
S-5633			X										X															X																													
S-A927																																																									
S-7423															X							X																																			
S-6593															X																																										
S-7424																							X																																		
S-11758																																																									
S-A928								X																																																	
S-4375															X							X																																			
S-5432																																																									
S-4282																																																									
S-7425																																																									
S-8715												X					X																																								
S-A700																X												X	X																												
S-5699												X	X																																												
S-5535												X	X																																												
S-5700												X	X																																												
S-5539												X	X																																												
S-5538												X	X																																												
S-4885																																																									
S-A088																			X																																						
S-6601																																																									
S-7883			X														X												X																												
S-5519			X														X												X																												
S-5518																	X												X																												
S-7226																	X												X		X																										
S-7227																	X																																								
S-7224																	X												X																												
S-6602																	X																																								
S-5493																	X												X																												
S-6599																																																									
S-4309			X	X													X												X	X		X																									

LATEST ADDITIONS TO OUR CATALOG

ALL PARTS SUPPLIED ARE S&S/NEWSTAR. USE OF OTHER MANUFACTURERS' NAMES, PART NUMBERS, OR TRADEMARKS ARE FOR INFORMATIONAL AND IDENTIFICATION PURPOSES ONLY. PRICES ARE SUBJECT TO CHANGE OR WITHDRAWAL WITHOUT NOTICE.

NEWSTAR REPLACEMENT GEARS AND PARTS

APPLICATION: EATON/FULLER TRANSMISSIONS

NEWSTAR NUMBER	REPLACEMENT FOR PART NUMBER	DESCRIPTION	MODEL APPLICATIONS (ALSO SEE OUR CHART ON THE FOLLOWING PAGE FOR MORE INFORMATION ON SELECT PRODUCT)
S-9141	19277	GEAR-MAINSHAFT	
S-C296	19281	AUX. MAINSHAFT	RT8608L,11609A,11610,11608,RT011609A,B,11610,ETC
S-5536	19294	MAIN DRIVE GEAR	
S-5537	19296	GEAR-COUNTERSHAFT	
S-A261	19305	AUX. DRIVE GEAR	6609,6610,8609 MID RANGE
S-A780	19315	GEAR-MAINSHAFT	11608LL,11615
S-8030	19470	SLAVE VALVE - USE A-5000	
S-C439	19549	COUNTERSHAFT	RT0,RTX11509,12509,13609,RT,RT0,RTX11709,12709,ETC
S-A692	19554	GEAR-COUNTERSHAFT	RT0,RTX1110,12510
S-A929	19612	GEAR-MAINSHAFT	RT0,RT0F11607L,11707LL,DLL,T11605A,B,T011605C
S-7225	19614	USE 20390	
S-7426	19615	GEAR-COUNTERSHAFT	
S-9114	19622	GEAR-MAINSHAFT	
S-7885	19628	GEAR-MAINSHAFT - USE 21024	
S-4297	19632	GEAR-MAINSHAFT	
S-4298	19633	GEAR-COUNTERSHAFT	
S-7887	19638	GEAR-MAINSHAFT - USE 21261	
S-7888	19639	GEAR-COUNTERSHAFT - USE 21262	
S-5930	19643	GEAR-COUNTERSHAFT - USE 20461	
S-6598	19644	GEAR-MAINSHAFT - USE 20377	
S-4310	19661	USE K-2310	
S-7814	19663	GEAR-MAINSHAFT - USE 20917	
S-9676	19667	GEAR-MAINSHAFT, AUX.	
S-6594	19726	GEAR-MAINSHAFT	
S-6595	19783	GEAR-MAINSHAFT	
S-5435	19784	SLIDING CLUTCH	
S-8687	19870	GASKET	
S-3774	19974	SPLITTER VALVE	
S-5434	20022	AUX. M.S. GEAR	
S-6596	20024	AUX. M.S. GEAR	
S-F231	20191	SPEEDO ROTOR	RT0,RT0F11707DLL,13707DLL,14608LL
S-4788	20323	SLIDING CLUTCH	
S-6597	20336	SLIDING CLUTCH	
S-5835	20350	USE K-1847	
S-6598	20377	GEAR-MAINSHAFT	
S-4301	20378	GEAR-COUNTERSHAFT	
S-5928	20379	GEAR-MAINSHAFT	
S-5929	20380	GEAR-COUNTERSHAFT	
S-6599	20381	GEAR-MAINSHAFT	
S-6600	20382	GEAR-COUNTERSHAFT	
S-7223	20383	GEAR-MAINSHAFT	
S-6601	20388	GEAR-MAINSHAFT	
S-7224	20389	GEAR-MAINSHAFT	
S-7225	20390	GEAR-MAINSHAFT	
S-7226	20391	GEAR-MAINSHAFT	
S-7227	20392	GEAR-COUNTERSHAFT	
S-9001	20450	SHIFT FORK	MULTIPLE APPLICATIONS

NEWSTAR REPLACEMENT GEARS AND PARTS

APPLICATION: EATON/FULLER TRANSMISSIONS

MODEL APPLICATION

	610	613	910	915	4005	5106	5205	5306	6106	6205	6306	6610	6613	9509	9513	11608	11609	11613	11707	12509	12510	12513	12515	12609	12713	14608	14609	14610	14613	14615	14618	14710	14713	14715	14718	14918	15618	15710	15715	16618	16713	16718	16918	18718	18918	20918							
S-9141														X													X		X																								
S-C296																																																					
S-5536												X	X																																								
S-5537												X																			X																						
S-A261																																																					
S-A780																																																					
S-8030																																																					
S-C439																																																					
S-A692																																																					
S-A929																																																					
S-7225																												X		X																							
S-7426																												X		X																							
S-9114																												X		X																							
S-7885																	X																																				
S-4297																	X											X	X		X																						
S-4298																	X											X	X		X																						
S-7887																	X																																				
S-7888																	X																																				
S-5930																													X		X																						
S-6598																													X		X																						
S-4310																														X																							
S-7814																													X																								
S-9676																										X	X																										
S-6594			X	X										X																																							
S-6595																				X		X																															
S-5435																X																																					
S-8687			X	X										X	X	X	X				X	X	X	X			X	X	X	X																							
S-3774	X											X		X									X						X																								
S-5434			X																																																		
S-6596																																																					
S-F231																																																					
S-4788																	X			X	X	X	X				X	X	X	X																							
S-6597												X																																									
S-5835																					X		X																														
S-6598																												X		X																							
S-4301																												X		X																							
S-5928																												X		X																							
S-5929																												X		X																							
S-6599	X																						X																														
S-6600																												X		X																							
S-7223																												X		X																							
S-6601																													X																								
S-7224																	X											X																									
S-7225																												X		X																							
S-7226																	X											X		X																							
S-7227																	X																																				
S-9001																																																					

LATEST ADDITIONS TO OUR CATALOG

ALL PARTS SUPPLIED ARE S&S/NEWSTAR. USE OF OTHER MANUFACTURERS' NAMES, PART NUMBERS, OR TRADEMARKS ARE FOR INFORMATIONAL AND IDENTIFICATION PURPOSES ONLY. PRICES ARE SUBJECT TO CHANGE OR WITHDRAWAL WITHOUT NOTICE.

NEWSTAR REPLACEMENT GEARS AND PARTS

APPLICATION: EATON/FULLER TRANSMISSIONS

NEWSTAR NUMBER	REPLACEMENT FOR PART NUMBER	DESCRIPTION	MODEL APPLICATIONS (ALSO SEE OUR CHART ON THE FOLLOWING PAGE FOR MORE INFORMATION ON SELECT PRODUCT)
S-7228	20458	GEAR-MAIN DRIVE	
S-7229	20459	GEAR-COUNTERSHAFT	
S-4230	20460	GEAR-MAIN DRIVE	
S-5930	20461	GEAR-COUNTERSHAFT	
S-6602	20471	GEAR-COUNTERSHAFT	
S-4298	20481	GEAR-COUNTERSHAFT	
S-9670	20490	ACTUATING PIN	
S-7231	20535	INPUT SHAFT	
S-4312	20550	RETAINER	
S-D736	20561	AUX DRIVE GEAR	AUX MAINSHAFT CONVERSION GEAR, 9 TO 13 SPEEDS
S-D405	20593	GEAR-MAINSHAFT	7608LL,8609
S-D420	20614	MAINSHAFT	
S-D406	20615	SLIDING CLUTCH	7608LL,8609
S-F259	20619	SPACER-MAINSHAFT	7608LL,RT8609
S-D934	20635	O-RING	RT7608LL,RT8609
S-A330	20658	INPUT SHAFT	
S-A331	20661	GEAR-MAINSHAFT	
S-A332	20662	GEAR-COUNTERSHAFT	
S-A333	20663	GEAR-MAINSHAFT	
S-A334	20664	GEAR-COUNTERSHAFT	
S-A335	20665	GEAR-MAINSHAFT	
S-A336	20666	GEAR-COUNTERSHAFT	
S-8688	20822	GASKET	
S-D407	20833	GEAR-MAINSHAFT	7608LL,8609
S-C441	20840	PTO GEAR, COUNTERSHAFT	MULTIPLE FULLER APPLICATIONS
S-E325	20917	GEAR-MAINSHAFT	RT00,RT011613,14613,RT015613
S-9673	20932	GEAR-MAINSHAFT, AUX.	
S-7883	21018	GEAR-COUNTERSHAFT	
S-7884	21019	MAIN DRIVE GEAR	
S-5519	21020	GEAR-COUNTERSHAFT	
S-5518	21021	GEAR-MAIN DRIVE	
S-7885	21024	GEAR-MAINSHAFT	
S-7886	21025	GEAR-COUNTERSHAFT	
S-4528	21036	OIL SEAL	
S-A642	21074	INPUT SHAFT	
S-7887	21261	GEAR-MAINSHAFT	
S-7888	21262	GEAR-COUNTERSHAFT	
S-9114	21263	GEAR-MAINSHAFT	
S-9098	21264	GEAR-COUNTERSHAFT	
S-9142	21319	GEAR-AUX. RED M.S.	11715,14715,15715
S-9629	21320	SNAP RING RETAINER	
S-9143	21321	GEAR-AUX. DRIVE	11715,14715,15715
S-9144	21322	GEAR-AUX. DRIVE	11708,14708
S-9277	21325	AUX. MAINSHAFT	
S-A672	21342	SPACER	
S-A885	21350	WASHER,AUX. M.S.	RTXL14715,15715,RT0,RT0F13770DLL,MLL,14709MLL
S-9243	21352	BUSHING	

LATEST ADDITIONS TO OUR CATALOG

ALL PARTS SUPPLIED ARE S&S/NEWSTAR. USE OF OTHER MANUFACTURERS' NAMES, PART NUMBERS, OR TRADEMARKS ARE FOR INFORMATIONAL AND IDENTIFICATION PURPOSES ONLY. PRICES ARE SUBJECT TO CHANGE OR WITHDRAWAL WITHOUT NOTICE.

NEWSTAR REPLACEMENT GEARS AND PARTS

APPLICATION: EATON/FULLER TRANSMISSIONS

MODEL APPLICATION

	610	613	910	915	4005	5106	5205	5306	6106	6205	6306	6610	6613	9509	9513	11608	11609	11613	11707	12509	12510	12513	12515	12609	12713	14608	14609	14610	14613	14615	14618	14710	14713	14715	14718	14918	15618	15710	15715	16618	16713	16718	16918	18718	18918	20918							
S-7228	X																X											X																									
S-7229	X																X												X																								
S-4230	X																												X																								
S-5930	X																												X																								
S-6602																	X													X																							
S-4298																	X											X	X	X																							
S-9670	X	X	X	X								X	X	X	X	X	X			X	X	X	X	X			X	X	X	X	X																						
S-7231																						X	X						X	X	X																						
S-4312																	X													X	X																						
S-D736																																																					
S-D405																																																					
S-D420																																											X		X								
S-D406																																																					
S-F259																																																					
S-D934																																																					
S-A330									X																																												
S-A331								X																																													
S-A332								X																																													
S-A333								X																																													
S-A334								X																																													
S-A335								X																																													
S-A336								X																																													
S-8688			X	X											X	X	X			X	X	X	X				X	X	X	X																							
S-D407																																																					
S-C441																																																					
S-E325																																																					
S-9673																										X																											
S-7883				X													X												X																								
S-7884																	X												X																								
S-5519				X													X												X																								
S-5518																	X												X																								
S-7885																	X																																				
S-7886																	X																																				
S-4528			X	X									X	X			X							X						X																							
S-A642								X																																													
S-7887																	X																																				
S-7888																	X																																				
S-9114																													X	X																							
S-9098																	X												X	X																							
S-9142																																																					
S-9629																																																					
S-9143																																																					
S-9144																																																					
S-9277																																																					
S-A672																																																					
S-A885																																																					
S-9243																																																					

LATEST ADDITIONS TO OUR CATALOG

ALL PARTS SUPPLIED ARE S&S/NEWSTAR. USE OF OTHER MANUFACTURERS' NAMES, PART NUMBERS, OR TRADEMARKS ARE FOR INFORMATIONAL AND IDENTIFICATION PURPOSES ONLY. PRICES ARE SUBJECT TO CHANGE OR WITHDRAWAL WITHOUT NOTICE.

NEWSTAR REPLACEMENT GEARS AND PARTS

APPLICATION: EATON/FULLER TRANSMISSIONS

NEWSTAR NUMBER	REPLACEMENT FOR PART NUMBER	DESCRIPTION	MODEL APPLICATIONS (ALSO SEE OUR CHART ON THE FOLLOWING PAGE FOR MORE INFORMATION ON SELECT PRODUCT)
S-11760	21353	WASHER-MAINSHAFT	RT,RT011715,RT011708LL
S-A693	21354	WASHER	RTLO11707LL,13707DLL,MLL
S-C024	21355	BEARING	11709,11710,11715,12709,12710,12713,13709,13710
S-C025	21356	BEARING	11707,11708,14708,14709,14710,14713,14715,14718,ETC
S-9674	21360	SLIDING CLUTCH	
S-9387	21361	GEAR-MAINSHAFT	
S-9285	21496	GEAR-MAINSHAFT	
S-9286	21497	GEAR-COUNTERSHAFT	11609P,13609P,14609P
S-9287	21498	GEAR-MAINSHAFT	RTX,RTXF11609A,B,P,12609P,13690B,14609P
S-9288	21499	GEAR-COUNTERSHAFT	11609P,12609P,13609P,14609P
S-C294	21502	GEAR-MAINSHAFT - USE 16754	RTX16709B,H
S-11993	21545	GEAR-MAINSHAFT	
S-A805	21546	GEAR-MAINSHAFT	FS4005,CL450 MID RANGE
S-A877	21586	GEAR-COUNTERSHAFT	RTO,RTOF15618,RTLO/RTLOF13610B,14610A,B,14618
S-C016	21587	GEAR-MAINSHAFT	
S-A878	21588	GEAR-COUNTERSHAFT	RTO,RTOF15618,RTLO/RTLOF16618,14618,14623B
S-A694	21589	GEAR-MAINSHAFT	
S-11346	21590	GEAR-COUNTERSHAFT	
S-A695	21591	GEAR-MAINSHAFT	
S-13269	21609	CYLINDER ASSY.	RTL,RTLO - 10,13,15 SPEEDS
S-7906	21661	GEAR-MAINDRIVE	
S-7912	21662	SLIDING CLUTCH	
S-7907	21663	GEAR-MAINSHAFT	
S-7910	21664	WASHER	
S-7911	21665	WASHER	
S-B282	21669	GEAR-MAINSHAFT	
S-B283	21670	GEAR-MAINSHAFT OVERDRIVE	
S-F383	21671	MAIN DRIVE GEAR	RT8609
S-C531	21672	GEAR-MAINSHAFT	7608LL,RT8609
S-A930	21898	INPUT SHAFT	
S-B247	21918	LO GEAR	
S-A931	21930	SLIDING CLUTCH	RTLO,RTLOF11610B,12610B,13610B,14610A,B,14618
S-B248	21931	GEAR-AUX. MAINSHAFT	
S-A796	21937	NUT	
S-9290	22025	GEAR-MAIN DRIVE	14715,15615
S-9096	22026	SLIDING CLUTCH - USE 4304317	12713,14713,16713,11708,709
S-9423	22027	GEAR-MAINSHAFT	
S-9099	22028	GEAR-MAIN DRIVE	11608,708,719,14608
S-9522	22032	WASHER	RTO,RTX12609,14609,11709,12709,14709,ETC
S-E946	22075	GEAR-MAINSHAFT	
S-7878	22079	M.S. 4TH GEAR	FS4005A,B MID RANGE
S-7881	22080	C.S. 4TH GEAR	FS4005A,B MID RANGE
S-6603	22254	NUT	
S-D408	22371	AUX. DRIVE GEAR	7608LL
S-A337	22395	GEAR-MAINSHAFT	
S-C532	22743	GEAR-MAINSHAFT	
S-F026	22744	GEAR-COUNTERSHAFT	RTX13609A,B

LATEST ADDITIONS TO OUR CATALOG

ALL PARTS SUPPLIED ARE S&S/NEWSTAR. USE OF OTHER MANUFACTURERS' NAMES, PART NUMBERS, OR TRADEMARKS ARE FOR INFORMATIONAL AND IDENTIFICATION PURPOSES ONLY. PRICES ARE SUBJECT TO CHANGE OR WITHDRAWAL WITHOUT NOTICE.

NEWSTAR REPLACEMENT GEARS AND PARTS

APPLICATION: EATON/FULLER TRANSMISSIONS

NEWSTAR NUMBER	REPLACEMENT FOR PART NUMBER	DESCRIPTION	MODEL APPLICATIONS (ALSO SEE OUR CHART ON THE FOLLOWING PAGE FOR MORE INFORMATION ON SELECT PRODUCT)
S-D427	22774	GEAR-MAINSHAFT	RT13609,14609P,R
S-F035	22899	WASHER	11709,12709,13709,14709,16709,11710,12710,13710
S-11519	22915	SLIDING CLUTCH	RTL0,RTLOF14610A,RT014109B-AT,11109A-AT,ATE
S-2938	22940	SWITCH	MULTIPLE APPLICATIONS
S-9797	22959	MAIN DRIVE GEAR - USE 22961	MULTIPLE APPLICATIONS
S-9798	22961	MAIN DRIVE GEAR	MULTIPLE APPLICATIONS
S-13420	22969	SPEEDO SPACER	RT,RT014709,RTX16709,15710,16710
S-C533	23018	GEAR-MAINSHAFT	RTX13609
S-A296	23102	GEAR-MAINSHAFT	MULTIPLE APPLICATIONS
S-F016	23139	SLIDING CLUTCH	RT013707DLL,MLL
S-A736	23159	AUX. DRIVE GEAR	RT,RTX13709H,13710B,C,14710B,C,15710C,16710B,C
S-F422	23160	GEAR-COUNTERSHAFT	RT13709
S-F079	23301	MAINSHAFT	
S-9952	23566	INPUT SHAFT	
S-A338	23569	INPUT SHAFT	8607,11607,707,605,13707,14607
S-A826	23605	BREATHER	NEW NUMBER 4304602
S-F359	23653	GEAR,REVERSE	RT0,RTX11709B,12709B,14709B,16709B
S-8498	23694	HUB GEAR	
S-8499	23695	MAINSHAFT	
S-10279	23696	MAINSHAFT	FS5005A,B,C MIDRANGE
S-6604	55506	HOSE ASSY-18"	
S-6605	55507	HOSE ASSY-20"	
S-6606	55508	HOSE ASSY-30"	
S-6607	55509	HOSE ASSY-34"	14708,16618
S-6608	55516	HOSE ASSY-22"	
S-6609	55518	HOSE ASSY-32"	
S-6610	55522	HOSE ASSY-28"	
S-5788	55523	HOSE ASSY-29"	
S-4400	55524	HOSE ASSY-27"	
S-6611	55525	HOSE ASSY-17"	
S-6612	55526	HOSE ASSY-26"	
S-6613	55527	HOSE ASSY-15"	
S-C125	55528	HOSE ASSY-36	RTL012913,14913,18913,16913,14918,16918,18718,ETC
S-6614	83001	SLEEVE QTY PKG 100	
S-A155	83002	SLEEVE QTY PKG 100	
S-8026	83501	BRASS NUT 1/8" QTY PKG 25	
S-6615	84001	CONNECTOR QTY PKG 10	
S-4401	84002	CONNECTOR QTY PKG 10	
S-9685	84003	FITTING-QTY PKG 10	
S-E037	84004	CONNECTOR	5/32" TUBE X 1/8"
S-9686	84005	CONNECTOR-PUSH TO CONNECT	5/32" TUBE X 1/16"
S-D912	84006	CONNECTOR-PUSH TO CONNECT	5/32" TUBE X 1/8"
S-6616	84101	CONNECTOR-QTY PKG 10	
S-9687	84102	FITTING-QTY PKG 10	
S-9688	85001	FITTING-QTY PKG 10	
S-6617	85002	ELBOW ASSY-QTY PKG 10	
S-D969	85003	ELBOW-PUSH TO CONNECT	5/32" TUBE X 1/8"

LATEST ADDITIONS TO OUR CATALOG

ALL PARTS SUPPLIED ARE S&S/NEWSTAR. USE OF OTHER MANUFACTURERS' NAMES, PART NUMBERS, OR TRADEMARKS ARE FOR INFORMATIONAL AND IDENTIFICATION PURPOSES ONLY. PRICES ARE SUBJECT TO CHANGE OR WITHDRAWAL WITHOUT NOTICE.

NEWSTAR REPLACEMENT GEARS AND PARTS

APPLICATION: EATON/FULLER TRANSMISSIONS

NEWSTAR NUMBER	REPLACEMENT FOR PART NUMBER	DESCRIPTION	MODEL APPLICATIONS (ALSO SEE OUR CHART ON THE FOLLOWING PAGE FOR MORE INFORMATION ON SELECT PRODUCT)
S-5753	X-12-1202	MAGNETIC PLUG	
S-9752	X-14-800	1/2" CHROME BALL-QTY PKG 50	
S-7880	3315536	INPUT SHAFT	
S-B020	3315679	PLUG	FS5205A,5306A,6205A,6305A,6306A MID RANGE
S-A932	3315715	GEAR-MAINSHAFT	FS5106A,6206A MID RANGE
S-A933	3315720	GEAR-MAINSHAFT	FS5106A,6206A MID RANGE
S-11426	3315743	GEAR-COUNTERSHAFT	FS6406A MID RANGE
S-11850	3315857	INPUT SHAFT	
S-A934	3316257	INPUT SHAFT	FS5106A,6206A MID RANGE
S-12028	3316313	FRONT BEARING COVER	
S-F128	4300035	GEAR	RTO,RTX12709,14709,RTX13709,16709
S-4710	4300119	OIL SEAL	FS5005,5205,6205,5106,5306,6206,6303 MID RANGE
S-A935	4300121	OIL SEAL	FS5106,4205,5205,5306 MID RANGE
S-A806	4300190	GEAR-MAINSHAFT	RTO,RTX14609,16709,RTX14710C,15710C,16710C
S-A807	4300191	GEAR-COUNTERSHAFT - USE 4300191	RTX,RTOX14609,13709,16709,RTX14710C,15710C,16710C
S-A936	4300203	OIL SEAL	FS4205,5205 MID RANGE
S-13428	4300204	OIL SEAL	FS4205,5205,6205A,B,C MID RANGE
S-A696	4300238	GEAR-MAINSHAFT - USE 4305068	RTXB16709,15710B,RTL016713,16718
S-B495	4300240	GEAR-MAINSHAFT - USE 21024	RTX16709,RTL016713,16718,18718
S-A876	4300241	GEAR-COUNTERSHAFT	MULTIPLE APPLICATIONS
S-C018	4300242	GEAR-MAINSHAFT	RTX/B/H/16709,RTL016713
S-F014	4300247	GEAR-COUNTERSHAFT	16709,16710,18718,20918
S-10807	4300296	GEAR-MAIN DRIVE	RTL013707DLL,MLL
S-11156	4300297	GEAR-MAINSHAFT	RTO13707DLL,MLL
S-11337	4300312	AUX MAINSHAFT	RTX16709B,RTX,RT14710B,C,RTX15710B,C,16710B,C
S-10484	4300325	GEAR-MAINSHAFT	
S-A665	4300382	WASHER-MAINSHAFT	MULTIPLE APPLICATIONS
S-A663	4300383	WASHER-MAINSHAFT	MULTIPLE APPLICATIONS
S-A664	4300384	WASHER-MAINSHAFT	MULTIPLE APPLICATIONS
S-11994	4300401	SHIFT FORK	FS4005,4205 MID RANGE
S-A697	4300654	GEAR-MAINSHAFT	
S-C447	4300798	OIL SEAL	FS5106,5306A,CL455,457,282VHD,285VHD MID RANGE
S-A937	4300810	INSERT VALVE	10 SPEED TRANSMISSIONS / MULTIPLE APPLICATIONS
S-C026	4300828	BEARING	14613,14813,15813
S-A662	4300830	WASHER-MAINSHAFT	MULTIPLE APPLICATIONS
S-E775	4300858	GEAR-MAINSHAFT	RTX15710,16710,RTX,RT14710B,RT15710B,13710B
S-9088	4300882	RETAINER	FS4205,5205 MID RANGE
S-C027	4300902	BEARING	
S-E322	4300904	MAINSHAFT	
S-A698	4300907	SLIDING CLUTCH	
S-E298	4300911	SPACER	
S-E932	4300912	WASHER-AUX MAINSHAFT	
S-F015	4300924	SLIDING CLUTCH	FRO-SUPER 10 TRANSMISSIONS
S-F451	4300940	GEAR-MAINSHAFT	
S-E321	4301075	AUX. MAINSHAFT	
S-11407	4301181	GEAR-COUNTERSHAFT	FS5005A,5205A MID RANGE
S-10039	4301220	GEAR-MAINSHAFT	RTX13710,14710,15710,16710

NEWSTAR REPLACEMENT GEARS AND PARTS

APPLICATION: EATON/FULLER TRANSMISSIONS

MODEL APPLICATION

	610	613	910	915	4005	5106	5205	5306	6106	6205	6306	6610	6613	9509	9513	11608	11609	11613	11707	12509	12510	12513	12515	12609	12713	14608	14609	14610	14613	14615	14618	14710	14713	14715	14718	14918	15618	15710	15715	16618	16713	16718	16918	18718	18918	20918					
S-5753	X	X	X	X								X	X	X	X		X			X	X	X	X				X	X	X	X																					
S-9752	X	X	X	X								X	X	X	X		X			X	X	X	X				X	X	X	X																					
S-7880					X																																														
S-B020																																																			
S-A932																																																			
S-A933																																																			
S-11426																																																			
S-11850					X																																														
S-A934																																																			
S-12028								X																																											
S-F128																																																			
S-4710																																																			
S-A935																																																			
S-A806																																																			
S-A807																																																			
S-A936																																																			
S-13428																																																			
S-A696																																																			
S-B495																																																			
S-A876																																																			
S-C018																																																			
S-F014																																																			
S-10807																																																			
S-11156																																																			
S-11337																																																			
S-10484																	X	X																																	
S-A665																																																			
S-A663																																																			
S-A664																																																			
S-11994																																																			
S-A697																													X	X																					
S-C447																																																			
S-A937																																																			
S-C026																																																			
S-A662																																																			
S-E775																																																			
S-9088																																																			
S-C027																																																			
S-E322																																																			
S-A698																																																			
S-E298																																																			
S-E932																																																			
S-F015																																																			
S-F451																																																			
S-E321																																																			
S-11407																																																			
S-10039																																																			

LATEST ADDITIONS TO OUR CATALOG

ALL PARTS SUPPLIED ARE S&S/NEWSTAR. USE OF OTHER MANUFACTURERS' NAMES, PART NUMBERS, OR TRADEMARKS ARE FOR INFORMATIONAL AND IDENTIFICATION PURPOSES ONLY. PRICES ARE SUBJECT TO CHANGE OR WITHDRAWAL WITHOUT NOTICE.

NEWSTAR REPLACEMENT GEARS AND PARTS

APPLICATION: EATON/FULLER TRANSMISSIONS

NEWSTAR NUMBER	REPLACEMENT FOR PART NUMBER	DESCRIPTION	MODEL APPLICATIONS (ALSO SEE OUR CHART ON THE FOLLOWING PAGE FOR MORE INFORMATION ON SELECT PRODUCT)
S-E903	4301400	AUX REDUCTION GEAR	RTL011610B,12610B,13610B,14610B
S-10145	4301403	INPUT SHAFT	
S-10147	4301408	INPUT SHAFT	
S-11966	4301417	BEARING	FR12210B,13210B,14210B,14210B,FRO11210,12210,13210
S-10442	4301466	SYNCHRO CUP	
S-D747	4301467	SYNCHRONIZER CUP	
S-10455	4301468	MAINSHAFT	
S-10146	4301476	CLUTCH HUB	
S-F027	4301477	GEAR-MAINSHAFT	
S-10257	4301478	GEAR-COUNTERSHAFT	
S-11338	4301484	GEAR-MAINSHAFT	
S-E935	4301485	INPUT SHAFT	
S-D447	4301528	GEAR-MAINSHAFT	FS4205 MID RANGE
S-D413	4301529	GEAR-MAINSHAFT	FS4205A,B,C MID RANGE
S-D412	4301530	GEAR-MAINSHAFT	FS4205A,B,C MID RANGE
S-D415	4301531	GEAR-MAINSHAFT	FS4205A,B,C MID RANGE
S-D784	4301532	MAINSHAFT	FS4205A,B,C MID RANGE
S-E582	4301535	GEAR-COUNTERSHAFT	FS4205 MID RANGE
S-D748	4301565	SYNCHRONIZER CUP	FS4205A,B,C MID RANGE
S-C702	4301566	SLIDING CLUTCH	FS4205A,B,C MID RANGE
S-11851	4301614	INPUT SHAFT	FS4205A MID RANGE
S-E268	4301626	INPUT SHAFT	FS4205B,C MID-RANGE
S-D414	4301684	MAINSHAFT	
S-11991	4301686	GEAR-MAINSHAFT	
S-D416	4301688	GEAR-MAINSHAFT	
S-7881	4301717	GEAR-COUNTERSHAFT	
S-E447	4301760	GEAR-MAINSHAFT	FS6205,6305 MID RANGE
S-E448	4301761	GEAR-MAINSHAFT	FS6205,6305 MID RANGE
S-E449	4301762	GEAR-MAINSHAFT	FS6205,6305 MID RANGE
S-F194	4301764	GEAR-MAINSHAFT	
S-11758	4301795	GEAR-AUX MAINSHAFT	
S-C649	4301840	SLIDING CLUTCH - REPLACES 4303386	
S-10036	4301842	WASHER-MAINSHAFT	
S-C028	4301851	BEARING	
S-10036	4301842	WASHER-MAINSHAFT	
S-11849	4301877	INPUT SHAFT	
S-D676	4302041	GEAR-MAINSHAFT	
S-E934	4302047	SPACER	
S-C029	4302074	BEARING	RTL016610B
S-F360	4302088	GEAR-MAINSHAFT	RTX15710B,16710B
S-C701	4302089	OD GEAR-COUNTERSHAFT	RTX15710B,16710B
S-D867	4302090	GEAR-MAINSHAFT	RTX16710C
S-F329	4302092	GEAR, OUTPUT SHAFT	RTX16710B
S-13427	4302170	SHIFT FORK	FRO SERIES
S-11637	4302243	WASHER-MAINSHAFT	""FRO"" - SUPER 10 SERIES
S-11696	4302258	WASHER-MAINSHAFT	FRO11210B,12210B,13210B,14210B,15210B,16210B
S-E852	4302265	SLIDING CLUTCH	""FRO"" - SUPER 10 SERIES

LATEST ADDITIONS TO OUR CATALOG

ALL PARTS SUPPLIED ARE S&S/NEWSTAR. USE OF OTHER MANUFACTURERS' NAMES, PART NUMBERS, OR TRADEMARKS ARE FOR INFORMATIONAL AND IDENTIFICATION PURPOSES ONLY. PRICES ARE SUBJECT TO CHANGE OR WITHDRAWAL WITHOUT NOTICE.

NEWSTAR REPLACEMENT GEARS AND PARTS

APPLICATION: EATON/FULLER TRANSMISSIONS

MODEL APPLICATION

	610	613	910	915	4005	5106	5205	5306	6106	6205	6306	6610	6613	9509	9513	11608	11609	11613	11707	12509	12510	12513	12515	12609	12713	14608	14609	14610	14613	14615	14618	14710	14713	14715	14718	14918	15618	15710	15715	16618	16713	16718	16918	18718	18918	20918													
S-E903																																																											
S-10145								X			X																																																
S-10147								X			X																																																
S-11966																																																											
S-10442								X																																																			
S-D747								X			X																																																
S-10455								X			X																																																
S-10146								X			X																																																
S-F027								X			X																																																
S-10257								X																																																			
S-11338								X			X																																																
S-E935								X			X																																																
S-D447																																																											
S-D413																																																											
S-D412																																																											
S-D415																																																											
S-D784																																																											
S-E582																																																											
S-D748																																																											
S-C702																																																											
S-11851																																																											
S-E268																																																											
S-D414								X																																																			
S-11991								X																																																			
S-D416								X																																																			
S-7881					X																																																						
S-E447																																																											
S-E448																																																											
S-E449																																																											
S-F194								X			X																																																
S-11758																																																											
S-C649																																																											
S-10036																										X																																	
S-C028																																																											
S-10036																										X																																	
S-11849								X																																																			
S-D676																																																											
S-E934																										X																																	
S-C029																																																											
S-F360																																																											
S-C701																																																											
S-D867																																																											
S-F329																																																											
S-13427																																																											
S-11637																																																											
S-11696																																																											
S-E852																																																											

LATEST ADDITIONS TO OUR CATALOG

ALL PARTS SUPPLIED ARE S&S/NEWSTAR. USE OF OTHER MANUFACTURERS' NAMES, PART NUMBERS, OR TRADEMARKS ARE FOR INFORMATIONAL AND IDENTIFICATION PURPOSES ONLY. PRICES ARE SUBJECT TO CHANGE OR WITHDRAWAL WITHOUT NOTICE.

NEWSTAR REPLACEMENT GEARS AND PARTS

APPLICATION: EATON/FULLER TRANSMISSIONS

NEWSTAR NUMBER	REPLACEMENT FOR PART NUMBER	DESCRIPTION	MODEL APPLICATIONS (ALSO SEE OUR CHART ON THE FOLLOWING PAGE FOR MORE INFORMATION ON SELECT PRODUCT)
S-10293	4302271	GEAR	"FRO" - SUPER 10 SERIES
S-E853	4302315	INPUT SHAFT	11210,12210,13210,14210,15210,16210,B,C
S-10502	4302318	MAINSHAFT	FR,FRO11210B,12210B,13210B,14210B,15210B
S-11853	4302320	COVER, AUX COUNTERSHAFT	11709,12709,13709,14709,16709,11710B,12710B,14710B
S-C480	4302321	FLANGED LOCK NUT	
S-D785	4302381	OD GEAR-MAINSHAFT	16915
S-E866	4302384	GEAR-MAINSHAFT	RTX,RTXF11708LL-2ND SPEED RTX,RTXF11710C,12710C-3RD
S-D786	4302394	GEAR-MAINSHAFT	
S-11406	4302396	GEAR-MAINSHAFT	RTX16709B,RTXF16710C,RTO,RTOF14719MLL
S-E318	4302398	WASHER	
S-13116	4302411	GEAR-MAINSHAFT	FRO11210C,12210C,13210C,14210C,15210C,16210C
S-11486	4302420	GEAR-COUNTERSHAFT	FR,FRO11210B,210B,FRO14210C,16210B,18210C
S-11487	4302421	GEAR-MAINSHAFT	ALL FRO SERIES EXCEPT FRLO 15410-C/16410-C
S-11490	4302422	GEAR-COUNTERSHAFT	FRO14210C,16210C,18210C
S-11242	4302427	REDUCTION GEAR	FRO14210C,18210C
S-F328	4302435	AUX DRIVE GEAR	FRO15210,16210
S-D913	4302479	PIPE ADAPTER	1/8" X 1/8"
S-11489	4302506	GEAR-MAINSHAFT	FRO14210C,15210C,16210C,17210C,18210C
S-D847	4302662	GEAR-MAIN DRIVE	
S-E776	4302666	GEAR-COUNTERSHAFT	
S-C041	4302676	GASKET SHIFT HOUSING	MULTIPLE APPLICATIONS
S-D677	4302695	GEAR-MAINSHAFT	RTLO16610
S-C030	4302712	BEARING	
S-11967	4303120	GEAR-MAINSHAFT	15210,16210
S-E326	4303121	GEAR-COUNTERSHAFT	15210,16210
S-E867	4303184	GEAR-OVERDRIVE	FRO13210C,14210C,15210C,16210C
S-11442	4303230	GEAR-MAINSHAFT	
S-10038	4303231	GEAR-MAINSHAFT	
S-D403	4303232	GEAR-MAINSHAFT	
S-D417	4303233	GEAR-MAINSHAFT	
S-11992	4303360	GEAR-AUX DRIVE	FR,FRO11210C,12210C,13210C,14210C
S-B255	4303386	SLIDING CLUTCH - USE 4301840	
S-F025	4303403	MAINSHAFT	
S-11968	4303406	GEAR-MAINSHAFT	
S-10173	4303409	GEAR-MAINSHAFT	
S-F445	4303412	GEAR-MAINSHAFT	LATE 13 SPEEDS
S-D891	4303420	GEAR-MAINSHAFT	
S-E267	4303421	SPLITTER GEAR	
S-A726	4303431	GASKET W/SILICONE BEADING	MULTIPLE APPLICATIONS
S-F556	4303477	GEAR-MAINSHAFT	
S-F034	4303603	WASHER	
S-D914	4303673	SPACER	
S-C481	4303689	CLUTCH HUB	
S-F485	4303701	GEAR-MAINSHAFT	
S-C384	4303796	GEAR-MAINSHAFT	
S-A938	4303859	COUPLER-MAINSHAFT- NEW STYLE FOR 19131	
S-13614	4303904	GEAR-MAINSHAFT	

LATEST ADDITIONS TO OUR CATALOG

ALL PARTS SUPPLIED ARE S&S/NEWSTAR. USE OF OTHER MANUFACTURERS' NAMES, PART NUMBERS, OR TRADEMARKS ARE FOR INFORMATIONAL AND IDENTIFICATION PURPOSES ONLY. PRICES ARE SUBJECT TO CHANGE OR WITHDRAWAL WITHOUT NOTICE.

NEW★STAR REPLACEMENT GEARS AND PARTS

APPLICATION: EATON/FULLER TRANSMISSIONS

MODEL APPLICATION

	610	613	910	915	4005	5106	5205	5306	6106	6205	6306	6610	6613	9509	9513	11608	11609	11613	11707	12509	12510	12513	12515	12609	12713	14608	14609	14610	14613	14615	14618	14710	14713	14715	14718	14918	15618	15710	15715	16618	16713	16718	16918	18718	18918	20918					
S-10293																																																			
S-E853																																																			
S-10502																																																			
S-11853																																																			
S-C480																																						X					X		X	X					
S-D785																																																			
S-E866																																																			
S-D786																																					X	X				X									
S-11406																																																			
S-E318																																				X	X				X	X	X	X	X						
S-13116																																																			
S-11486																																																			
S-11487																																																			
S-11490																																																			
S-11242																																																			
S-F328																																																			
S-D913																																																			
S-11489																																																			
S-D847																																																			
S-E776																																																			
S-C041																																																			
S-D677																																																			
S-C030																																																			
S-11967																																																			
S-E326																																																			
S-E867																																																			
S-11442							X				X																																								
S-10038							X				X																																								
S-D403							X																																												
S-D417							X																																												
S-11992																																																			
S-B255																										X										X	X					X									
S-F025																																																			
S-11968																																																			
S-10173																																																			
S-F445																																																			
S-D891																																																			
S-E267																																																			
S-A726																																																			
S-F556																																																			
S-F034																																																			
S-D914																																																			
S-C481							X																																												
S-F485																																																			
S-C384							X																																												
S-A938																																																			
S-13614							X																																												

LATEST ADDITIONS TO OUR CATALOG

ALL PARTS SUPPLIED ARE S&S/NEWSTAR. USE OF OTHER MANUFACTURERS' NAMES, PART NUMBERS, OR TRADEMARKS ARE FOR INFORMATIONAL AND IDENTIFICATION PURPOSES ONLY. PRICES ARE SUBJECT TO CHANGE OR WITHDRAWAL WITHOUT NOTICE.

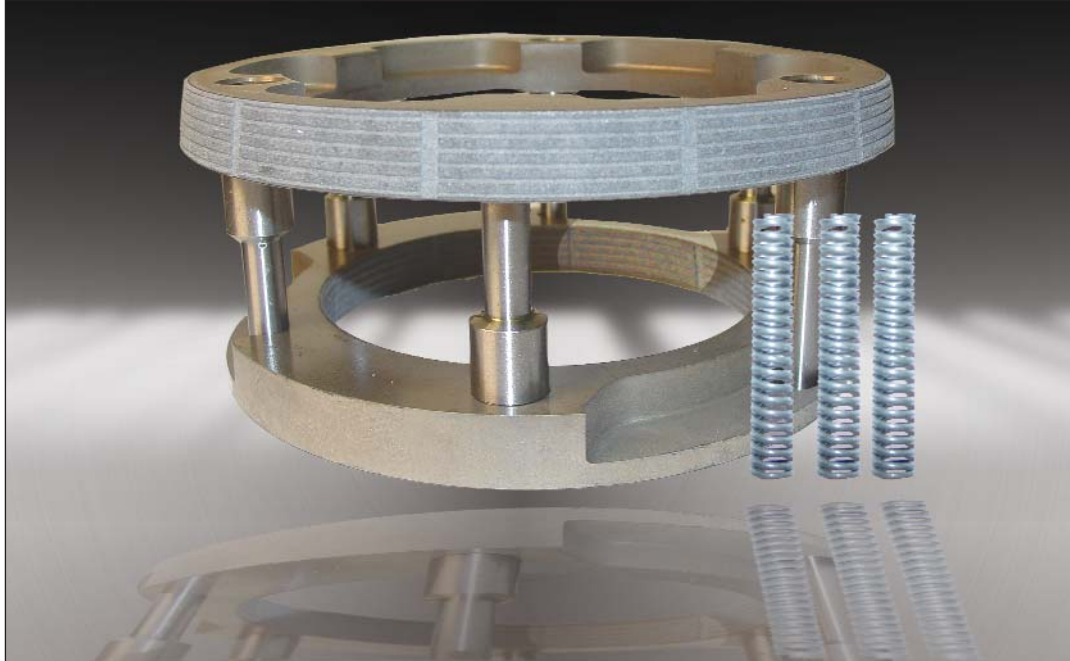
NEWSTAR REPLACEMENT GEARS AND PARTS

APPLICATION: EATON/FULLER TRANSMISSIONS

NEWSTAR NUMBER	REPLACEMENT FOR PART NUMBER	DESCRIPTION	MODEL APPLICATIONS (ALSO SEE OUR CHART ON THE FOLLOWING PAGE FOR MORE INFORMATION ON SELECT PRODUCT)
S-F017	4303969	GEAR-MAINSHAFT	
S-10177	4304013	GEAR-MAINSHAFT	FRO15210,16210
S-F420	4304014	SLIDING CLUTCH	FRO/F-15,16210C
S-10456	4304057	GEAR-MAINSHAFT	FS5406A,6406A MID RANGE
S-F226	4304060	GEAR-COUNTERSHAFT	
S-C031	4304080	BEARING	13210,14210,15210,16210,17210,18210
S-11825	4304098	GEAR-MAINSHAFT	FS5406A,6406A,FS08406A MID RANGE
S-D411	4304317	SLIDING CLUTCH - REPLACES 22026	
S-10307	4304499	SPACER	
S-E626	4304508	GEAR-COUNTERSHAFT	
S-13609	4304510	GEAR-MAIN DRIVE	
S-E724	4304514	GEAR MAINSHAFT	
S-12029	4304544	GEAR-MAINSHAFT	FS5406A,6406A MID RANGE
S-C032	4304598	BEARING	
S-A826	4304602	BREATHER	11109,11707,709,12609,610,709,710,713,14109,15813
S-A659	4304614	KEY-MAINSHAFT 3-SIDED	MULTIPLE APPLICATIONS
S-A660	4304615	KEY-MAINSHAFT 3-SIDED	MULTIPLE APPLICATIONS
S-E851	4304633	INPUT SHAFT - USE S-2822	RT015210C,16210C
S-11241	4304642	MAIN DRIVE GEAR	FRO18210C
S-F446	4304765	GEAR-COUNTERSHAFT - 18 SPEEDS	
S-E330	4304815	GASKET - REPLACES 20822	
S-C650	4305068	GEAR-MAINSHAFT - REPLACES 4300238	
S-7883	4305069	GEAR-COUNTERSHAFT	
S-A699	4305070	GEAR-MAINSHAFT	
S-A807	4305071	GEAR-COUNTERSHAFT	13609,14609,16709,14710,15710,16710
S-13196	4305230	BELL HOUSING COVER	MULTIPLE APPLICATIONS
S-C033	5556503	BEARING	
S-10233	5566507	BEARING - FOR 10,11,13 AND 15 SPEEDS	
S-F452	5566508	BEARING - FOR 13,15 AND 18 SPEEDS	
S-9613	T149AUX	BEARING & SEAL KIT	
S-9614	T145A	BEARING & SEAL KIT	
S-9600	T203	BEARING & SEAL KIT	11608,609,613,615
S-9602	T205	BEARING & SEAL KIT	
S-9598	T206	BEARING & SEAL KIT	
S-9608	T207	BEARING & SEAL KIT	
S-9615	T211	BEARING & SEAL KIT	12609,610
S-9596	T1000	BEARING & SEAL KIT	906,909,910,913,915,955,958,9508,9509,9513
S-E593	T7032	BEARING & SEAL KIT	

NEWSTAR AFTERMARKET GYLON® SYNCHRONIZER KITS

APPLICATION: EATON/FULLER TRANSMISSIONS



- **INCREASED SYNCHRONIZER LIFE** - PATENTED GYLON® FRICTION MATERIAL WITHSTANDS TORSIONAL DRIVELINE VIBRATION AND REDUCES SYNCHRONIZER FAILURES
- **REDUCED MAINTENANCE** - IN COMBINATION WITH REGULARLY SCHEDULED PREVENTIVE MAINTENANCE, FLEET OWNERS WILL EXPERIENCE LOWER TRANSMISSION MAINTENANCE COSTS WHEN USING **NEWSTAR** SYNCHRONIZER KITS
PARTS COMPONENT GROUP
- **ENHANCED CONTAMINATION RESISTANCE** - AS TRANSMISSIONS OPERATE, FOREIGN PARTICLES BECOME IMBEDDED IN THE SYNCHRONIZER FRICTION MATERIAL. THIS CAN CAUSE FAILURES IN OEM SYNCHRONIZERS. PATENTED GYLON® FRICTION MATERIAL IS BASED ON DUPONT TEFLON® TECHNOLOGY AND IS MUCH MORE DURABLE IN THIS OPERATING ENVIRONMENT, MAKING **NEWSTAR** SYNCHRONIZERS IDEAL FOR REBUILTS.
PARTS COMPONENT GROUP
- **MINIMIZED NEED FOR ADDITIONAL REPLACEMENT COMPONENTS** - PERFORMANCE IMPROVEMENT CAN BE ACHIEVED WITHOUT REPLACING THE ENTIRE RANGE CHANGE SYSTEM, AS IS REQUIRED WITH MANY EARLY OEM ASSEMBLIES.

MADE IN USA

NEWSTAR NUMBER	REPLACEMENT FOR PART NUMBER	SUPERCEDES	DESCRIPTION
S-6523	K-3491	K-2445	SYNCHRONIZER KIT
S-6524	K-3492	K-2446	SYNCHRONIZER KIT

NEW★STAR REPLACEMENT RANGE VALVES

APPLICATION: EATON/FULLER TRANSMISSIONS



NEW★STAR NO. S-C462
REPLACEMENT FOR
PART NUMBER:
A-6909



NEW★STAR NO. S-C461
REPLACEMENT FOR
PART NUMBER:
A-6913

NEW★STAR NO. S-E467
REPLACEMENT FOR
PART NUMBER:
A-6910



NEW★STAR NO. S-C460
REPLACEMENT FOR
PART NUMBER:
A-6915



NEW★STAR NO. S-E648
REPLACEMENT FOR
PART NUMBER:
A-6918



NEW★STAR NO. S-E649
R.H. DRIVE
REPLACEMENT FOR
PART NUMBER:
A-7313



NEW★STAR NO. S-E650
R.H. DRIVE
REPLACEMENT FOR
PART NUMBER:
A-7315



NEW★STAR NO. S-E651
R.H. DRIVE
REPLACEMENT FOR
PART NUMBER:
A-7318

LATEST ADDITIONS TO OUR CATALOG

ALL PARTS SUPPLIED ARE S&S/NEWSTAR. USE OF OTHER MANUFACTURERS' NAMES, PART NUMBERS, OR TRADEMARKS ARE FOR INFORMATIONAL AND IDENTIFICATION PURPOSES ONLY. PRICES ARE SUBJECT TO CHANGE OR WITHDRAWAL WITHOUT NOTICE.

NEW★STAR REPLACEMENT AIR VALVES

APPLICATION: EATON/FULLER TRANSMISSIONS



AIR VALVE CONVERSION KIT

NEW★STAR NO. S-E336

REPLACEMENT FOR
PART NUMBER: K-3121

CONSISTS OF:

NEW★STAR NUMBER	REPLACEMENT FOR PART NUMBER	DESCRIPTION
S-D697	4300110	SQUARE VALVE
S-D913	4302479	PIPE ADAPTER
S-D912	84006	BRASS FITTING
S-D969	85003	ELBOW
S-E688	X8C411	BOLT



TRANSMISSION SELECTOR VALVE

NEW★STAR NO. S-8011
REPLACEMENT FOR
PART NUMBER: A-4487



TRANSMISSION SELECTOR VALVE

NEW★STAR NO. S-8800
REPLACEMENT FOR
PART NUMBER: A-4490



TRANSMISSION SELECTOR VALVE

NEW★STAR NO. S-5494
REPLACEMENT FOR
PART NUMBER: A-4491



AIR CONTROL RANGE VALVE ASSEMBLY

NEW★STAR NO. S-3103
REPLACEMENT FOR
PART NUMBER: A-3546



SLAVE VALVE ASSEMBLY

NEW★STAR NO. S-8030
REPLACEMENT FOR
PART NUMBER: A-5000



SLAVE VALVE ASSEMBLY

NEW★STAR NO. S-8336
REPLACEMENT FOR
PART NUMBER: K-2424

NEW★STAR REPLACEMENT AIR VALVES

APPLICATION: EATON/FULLER TRANSMISSIONS



FILTER REGULATOR KIT

NEW★STAR NO. S-A210
REPLACEMENT FOR
PART NUMBER: K-2170



FILTER REGULATOR ASSEMBLY

NEW★STAR NO. S-9146
REPLACEMENT FOR
PART NUMBER: A-4740



AIR CONTROL SLAVE VALVE

NEW★STAR NO. S-3291
REPLACEMENT FOR
PART NUMBER: A-4688



TRANSMISSION SPLITTER VALVE

NEW★STAR NO. S-3774
REPLACEMENT FOR
PART NUMBER: 19974



TRANSMISSION DEEP REDUCTION VALVE

NEW★STAR NO. S-8904
REPLACEMENT FOR
PART NUMBER: 14651



TRANSMISSION AIR REGULATOR

NEW★STAR NO. S-2022
REPLACEMENT FOR
PART NUMBER: 16743



TRANSMISSION COUNTERSHAFT
BRAKE ACTUATOR

NEW★STAR NO. S-4397
REPLACEMENT FOR
PART NUMBER: 16859



AIR FILTER ASSEMBLY

NEW★STAR NO. S-6529
REPLACEMENT FOR
PART NUMBER: A-4041



TRANSMISSION SPLITTER VALVE

NEW★STAR NO. S-A937
REPLACEMENT FOR
PART NUMBER: 4300810

LATEST ADDITIONS TO OUR CATALOG

ALL PARTS SUPPLIED ARE S&S/NEWSTAR. USE OF OTHER MANUFACTURERS' NAMES, PART NUMBERS, OR TRADEMARKS ARE FOR INFORMATIONAL AND IDENTIFICATION PURPOSES ONLY. PRICES ARE SUBJECT TO CHANGE OR WITHDRAWAL WITHOUT NOTICE.

NEWSTAR REPLACEMENT MID-RANGE MEDIUM DUTY PARTS

APPLICATION: CLARK / FULLER TRANSMISSIONS



NEWSTAR NUMBER	REPLACEMENT FOR PART NUMBER	DESCRIPTION	APPLICATION - MODEL
S-9604	K-2120	BEARING & SEAL KIT	CL450,FS-4005A,B
S-7204	K-2124	GASKET BRG.& SEAL KIT	390V-FORD
S-7213	K-2128	BEARING & SEAL KIT	CL280,282,285 VHD
S-9834	K-2129	BEARING & SEAL KIT	CL450 -LATE STYLE
S-7816	K-2143	GASKET SET	CL450-FORD,GMC,IHC
S-9860	K-2144	SMALL PARTS KIT	CL450
S-6233	216746	M.S. 1ST GEAR	305V,307V-GMC
S-2103	218539	MAINSHAFT	380V-GMC
S-2117	218545	COUNTERSHAFT	320V,380V-FORD,GMC
S-2111	218546	REV. IDLER GEAR	320V,380V-FORD,GMC
S-2113	218879	M.S. 4TH GEAR	300V,307V,327V,387V-FORD,GMC
S-2112	218880	M.S. 4TH GEAR	305V-FORD,GMC
S-10225	219409	GEAR-MAINSHAFT	265-FORD, GMC
S-6236	220255	SYNCHRONIZER	260V-FORD,GMC
S-6239	220273	C.S. 3RD GEAR	260V-FORD
S-6240	220278	M.S. 4TH GEAR	260V-FORD
S-7371	220279	M.S. 3RD GEAR	260V-FORD,GMC
S-6242	220522	M.S. 4TH GEAR	260V-FORD,GMC
S-6243	221143	M.S. BUSHING	305V,307V-GMC
S-6244	221480	SYNCHRONIZER	265V,267V,VO,269V-GMC,FORD
S-6246	222960	MAINSHAFT NUT	ALL-FORD,GMC,IHC
S-2707	226701	M.S. BUSHING	300V,310V,320V,380V-FORD,GMC
S-D653	227075	MAINSHAFT	260V FORD
S-B281	227079	INPUT SHAFT	260V-FORD
S-A918	227675	INSERT, FORK	280/390/450/550,FS4005
S-2108	227721	GEAR-MAINSHAFT	380,385-FORD
S-2107	227722	M.S. 3RD GEAR	380,385-FORD,GMC
S-2109	227750	SYNCHRONIZER	2ND-3RD
S-6244	228121	SYNCHRONIZER	265V,267V,VO,269V-GMC,FORD
S-8214	228289	MAINSHAFT	280V-FORD,GMC,IHC
S-2709	228296	SYNCHRONIZER CUP	280,290,450,550-FORD,GMC,IHC
S-6248	228297	SLEEVE, 4TH & 5TH	280V-FORD,GMC,IHC
S-6298	228299	SEE 238201	282-FORD,GMC,IHC
S-6249	228300	SEE 238202	282-FORD,GMC,IHC
S-4840	228306	SYNCHRONIZER CUP	280,290,450,550-FORD,GMC,IHC
S-6250	228307	SLEEVE, 2ND & 3RD	280V-FORD,GMC,IHC
S-6251	228313	C.S. DRIVE GEAR	282,285-FORD,GMC,IHC
S-6252	228314	C.S. 4TH GEAR	282-FORD,GMC,IHC
S-6011	228340	INPUT SHAFT	282V,285V-GMC
S-6257	228348	C.S. 4TH GEAR	280V
S-6295	228349	SEE 238198	285-FORD,GMC,IHC
S-6297	228379	SEE 238200	285-FORD,GMC,IHC
S-5740	228578	M.S. 1ST GEAR	280V-FORD,GMC,IHC
S-5741	228580	COUNTERSHAFT	280V-FORD,GMC,IHC
S-4843	228581	REV. IDLER GEAR	280V-FORD,GMC,IHC
S-2105	228603	INPUT SHAFT	385,387-GMC
S-7372	228726	M.S. 2ND GEAR	280V-FORD,IHC
S-2099	228808	MAINSHAFT	327V-GMC

NEWSTAR REPLACEMENT MID-RANGE MEDIUM DUTY PARTS

APPLICATION: CLARK / FULLER TRANSMISSIONS

NEWSTAR NUMBER	REPLACEMENT FOR PART NUMBER	DESCRIPTION	APPLICATION - MODEL
S-2101	228814	M.S. 2ND GEAR	325V,327V-GMC
S-6259	228817	M.S. 1ST & REV GEAR	325V,327V-GMC
S-6260	229076	SYNCHRONIZER	380,385 FORD
S-5379	229229	SEE 237054	280,450,390,550-FORD,GMC,IHC
S-4841	229230	SEE 237053	280,450,390,550-FORD,GMC,IHC
S-4188	230207	INPUT SHAFT	282V,285V-FORD,GMC
S-6262	230209	INPUT SHAFT	282V, 285V-FORD
S-5390	230211	RETAINER	280V-FORD,GMC
S-9507	233797	FORK & RAIL ASSY.	280,390,550
S-5378	233798	FORK PAD	280,390,550
S-9508	233799	FORK & RAIL ASSY.	280,390,550
S-6265	235351	INPUT SHAFT	551-GMC
S-6266	235353	INPUT SHAFT	551-FORD,GMC
S-6267	235354	INPUT SHAFT	551-FORD,GMC
S-6269	235359	MAINSHAFT	CL550,390V-FORD,GMC
S-6270	235361	MAINSHAFT	CL550,390V FORD,GMC
S-6271	235363	M.S. 1ST GEAR	390,551,558-FORD,GMC,IHC
S-6272	235364	M.S. 1ST GEAR	397,557-FORD,GMC,IHC
S-6273	235365	M.S. REV GEAR	CL550,390V-FORD,GMC,IHC
S-6274	235366	M.S. 2ND GEAR	CL550,390V-FORD,GMC,IHC
S-6275	235367	M.S. 3RD GEAR	390V-FORD,GMC
S-6276	235368	M.S. 3RD GEAR	397V-FORD,GMC
S-6277	235369	M.S. 4TH GEAR	390V-FORD,GMC
S-6278	235370	M.S. 4TH GEAR	397V-FORD,GMC
S-6279	235371	SLEEVE REVERSE	CL550,390V-FORD,GMC,IHC
S-6280	235373	SLEEVE, 1ST	CL550,390V-FORD,GMC,IHC
S-6281	235381	SLEEVE, 3RD & 4TH	CL550,390V-FORD,GMC,IHC
S-6282	235384	COUNTERSHAFT	390,551,558-FORD,GMC,IHC
S-6284	235388	C.S. DRIVE GEAR	390,551-FORD,GMC,IHC
S-6285	235389	GEAR-COUNTERSHAFT	390, 551-FORD
S-6286	235390	C.S. 4TH GEAR	390,551,558-FORD,GMC,IHC
S-6287	235391	C.S. 4TH GEAR	397,557-FORD,GMC,IHC
S-6288	235392	REV. IDLER GEAR	397,557-GMC,IHC
S-6289	235428	MAINSHAFT	CL550,390V-GMC
S-6290	235432	INPUT SHAFT	557-FORD,GMC
S-6291	235433	INPUT SHAFT	551-GMC
S-4841	237053	SYNCHRONIZER	280,450,390,550-FORD,GMC,IHC
S-5379	237054	SYNCHRONIZER	280,450,390,550-FORD,GMC,IHC
S-6295	238198	C.S. 4TH GEAR	285-FORD,GMC,IHC
S-6296	238199	M.S. 4TH GEAR	285-FORD,GMC,IHC
S-6297	238200	M.S. 3RD GEAR	285-FORD,GMC,IHC
S-6298	238201	M.S. 4TH GEAR	282-FORD,GMC,IHC
S-6299	238202	M.S. 3RD GEAR	282-FORD,GMC,IHC
S-6300	239346	M.S. 3RD GEAR	397,557-GMC,FORD,IHC
S-6301	239347	M.S. 4TH GEAR	397,557-FORD,GMC,IHC
S-6302	239348	MAINSHAFT	CL550,390V-FORD,GMC
S-6303	239350	SLEEVE, 3RD & 4TH	CL550,390V-FORD,GMC,IHC
S-6304	239352	M.S. 3RD GEAR	CL550,390V-FORD,GMC,IHC
S-6305	239353	M.S. 4TH GEAR	390,551,558-FORD,GMC,IHC
S-5816	239785	MAINSHAFT	CL450-FORD,GMC,IHC
S-5817	239787	M.S. 1ST GEAR	CL450-FORD,GMC,IHC
S-5818	239789	M.S. REV GEAR	CL450-FORD,GMC,IHC
S-5819	239790	M.S. 2ND GEAR	CL450-FORD,GMC,IHC
S-6306	239791	SLEEVE, REV	CL450-FORD,GMC,IHC
S-5820	239792	M.S. 3RD GEAR	CL450-FORD,GMC,IHC
S-5815	239793	M.S. 4TH GEAR	450,455-FORD,GMC,IHC

LATEST ADDITIONS TO OUR CATALOG

ALL PARTS SUPPLIED ARE S&S/NEWSTAR. USE OF OTHER MANUFACTURERS' NAMES, PART NUMBERS, OR TRADEMARKS ARE FOR INFORMATIONAL AND IDENTIFICATION PURPOSES ONLY. PRICES ARE SUBJECT TO CHANGE OR WITHDRAWAL WITHOUT NOTICE.

NEWSTAR REPLACEMENT MID-RANGE MEDIUM DUTY PARTS

APPLICATION: CLARK / FULLER TRANSMISSIONS

NEWSTAR NUMBER	REPLACEMENT FOR PART NUMBER	DESCRIPTION	APPLICATION - MODEL
S-6307	239808	INPUT SHAFT	455,457-GMC
S-8939	239809	INPUT SHAFT	FS4005 B,C 18T-12.867 OAL
S-7626	239815	M.S. 4TH GEAR	CL450-IH
S-E017	239819	SNAP RING	CL450 FORD, GMC
S-5852	239821	RETAINER	FS4005,CL450-GMC
S-5821	239832	SLEEVE, 1ST & REVERSE	CL450-FORD,GMC,IHC
S-A792	240327	WASHER-MAINSHAFT	CL450 USED W/239785
S-5822	241013	C.S. DRIVE GEAR	455,457-FORD,GMC,IHC
S-5823	241014	C.S. 4TH GEAR	455-FORD,GMC,IHC
S-5827	241018	COUNTERSHAFT	CL450-FORD,GMC,IHC
S-6308	802119	SYNCHRO ASSY. KIT	280,450,390,550-FORD,GMC,IHC
	(K-2141)		
S-6309	802120	SYNCHRO ASSY. KIT	280,450,390,550-FORD,GMC,IHC
	(K-2142)		
S-10281	2601278	INPUT SHAFT	250,251-5 SPEED- LENGTH 11 5/8"OAL
S-6161	SP-292-50	SMALL PARTS KIT	380,385
S-3885	SP-305-50	SMALL PARTS KIT	282,285
S-6167	SP-326-50	SMALL PARTS KIT	390
	802118		
	(K-2136)		
S-9860	SP-450-50	SMALL PARTS KIT	CL450
	(K-2144)		
S-6178	GS-285	GASKET SET	282,285
	802110		
S-6168	WT-326-55	GASKET SET	390
	802116		
S-9842	T23	BEARING & SEAL KIT	CL250,265
S-7197	802111	GASKET BEARING & SEAL KIT	285
S-7213	T190	GASKET BEARING & SEAL KIT	280VHD
	802114		
	(K-2128)		
S-7204	802117	GASKET BEARING & SEAL KIT	390V-FORD

NEWSTAR REPLACEMENT GEARS AND PARTS

APPLICATION: FORD MAZDA / TOYO KOGYO TRANSMISSIONS

USED IN TOYO KOGYO MODEL TK5

NEWSTAR NUMBER	REPLACEMENT FOR PART NUMBER	DESCRIPTION	VEHICLE APPLICATION
S-9205	E3TZ-7017-E	INPUT SHAFT	'1984' 6 CYL. AEROSTAR, BRONCO II RANGER GAS 4X2, 4X4
S-9206	E3TZ-7113-F	CLUSTER	'1983-85' AEROSTAR, BRONCO II RANGER GAS
S-8948	D67Z-7107-C	SYNCHRO RING 1ST thru 4TH SPEEDS	'1983-87' AEROSTAR, BRONCO II RANGER GAS ALSO 1984 RANGER DIESEL
S-8947	D67Z-7107-B	SYNCHRO RING 5TH and REV. SPEEDS	'1983-87' AEROSTAR, BRONCO II RANGER GAS ALSO 1984 RANGER DIESEL

USED IN MAZDA MODEL M5R1

NEWSTAR NUMBER	REPLACEMENT FOR PART NUMBER	DESCRIPTION	VEHICLE APPLICATION
S-8949	F1TZ-7107-E	SYNCHRO RING	'1988-92' 1ST thru 4TH SPEEDS AEROSTAR, BRONCO II, EXPLORER RANGER
S-9450	T1488F	BEARING AND SEAL KIT	
S-9800	F0TZ-7017-A	INPUT SHAFT	4.0 LITER-6 CYL. RANGER, BRONCO II '88-93'
S-9801	F0TZ-7113-A	CLUSTER	'1988-93' 140 LITER ENGINES- 6 CYL. BRONCO II, EXPLORER, RANGER

USED IN MAZDA MODEL M5R2

NEWSTAR NUMBER	REPLACEMENT FOR PART NUMBER	DESCRIPTION	VEHICLE APPLICATION
S-8950	F1TZ-7107-G	SYNCHRO RING 1ST thru 4TH SPEEDS	'1988-92' BRONCO/E AND F150/350
S-8949	F1TZ-7107-E	SYNCHRO RING 5TH SPEEDS	'1988-92' BRONCO/E AND F150/350
S-9451	T1288F	BEARING AND SEAL KIT	

NEWSTAR REPLACEMENT COMPONENT PARTS

APPLICATION: CHRYLSEER A535 LIGHT DUTY
DODGE DAKOTA TRANSMISSIONS



NEWSTAR NUMBER	REPLACEMENT FOR PART NUMBER	DESCRIPTION
S-9054	4338190	INPUT SHAFT
S-9056	4338374	C.S. 5TH GEAR
S-9057	4338375	CLUSTER
S-9884	T535	BEARING AND SEAL KIT

LATEST ADDITIONS TO OUR CATALOG

ALL PARTS SUPPLIED ARE S&S/NEWSTAR. USE OF OTHER MANUFACTURERS' NAMES, PART NUMBERS, OR TRADEMARKS ARE FOR INFORMATIONAL AND IDENTIFICATION PURPOSES ONLY. PRICES ARE SUBJECT TO CHANGE OR WITHDRAWAL WITHOUT NOTICE.

NEWSTAR REPLACEMENT GEARS AND PARTS

APPLICATION: FORD MITSUBUSHI 5 SPEED TRANSMISSIONS

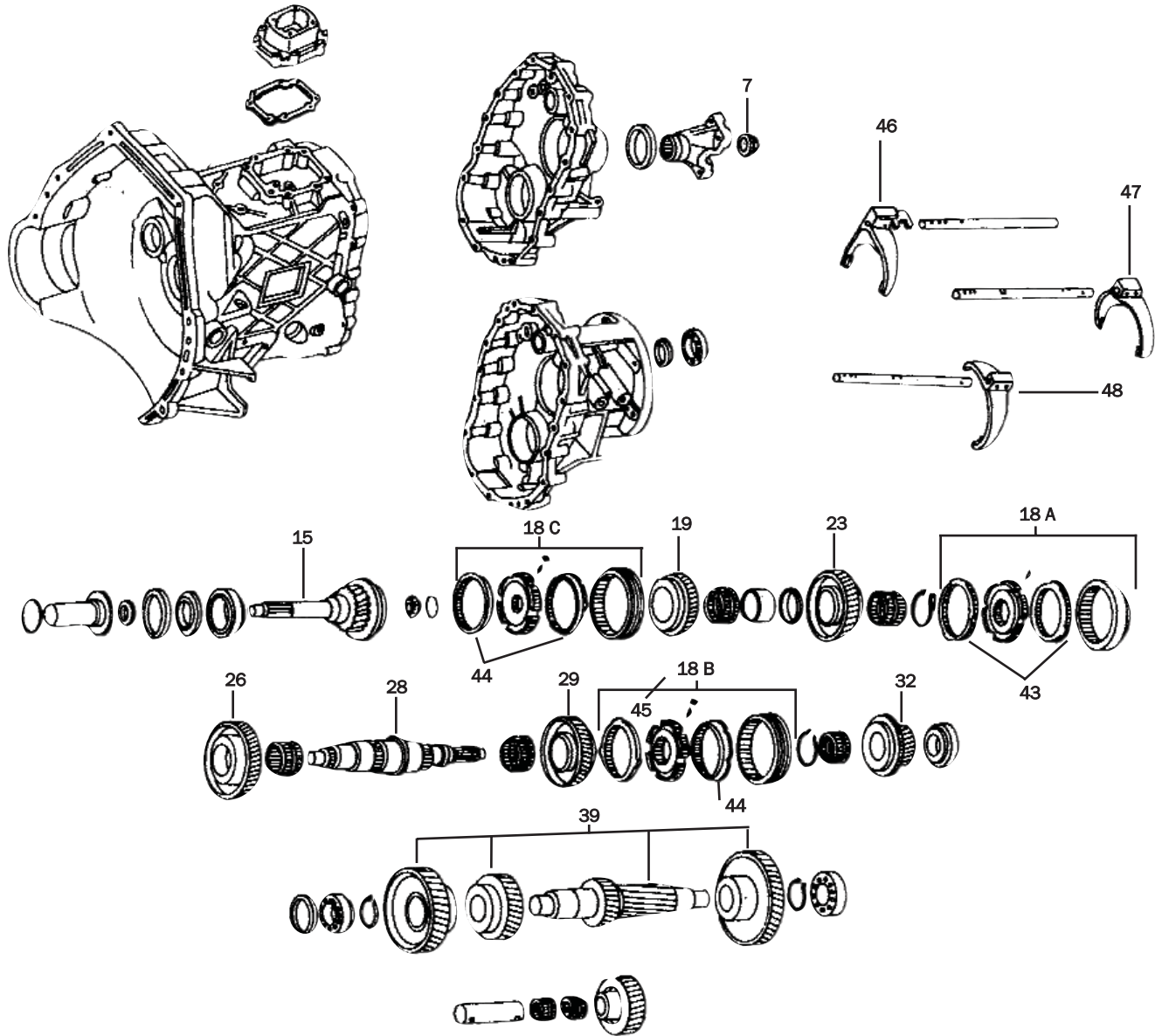


NEWSTAR NUMBER	REPLACEMENT FOR PART NUMBER	DESCRIPTION	APPLICATION
S-8767	E5TZ-7113-A	CLUSTER	'85-87' RANGER, BRONCO II, 4X4 GAS ALL 2.8, 2.9 LITER ENGINES FOR MODEL KM145
S-8737	E8TZ-7017-D	INPUT SHAFT	'88-92' RANGER, BRONCO II, 4X4 GAS 2.9 LITER ENGINE FOR MODEL KM146
S-8766	F2TZ-7C391-A	UPDATE KIT	BRONCO II, RANGER 4X4 GAS, 2.8, 2.9 LITER ENGINES FOR MODELS KM145/146
S-9134	E5TZ-7107-C	SYNCHRO RING 1ST SPEED	RANGER, BRONCO II, 4X4 GAS, 2.8, 2.9 LITER ENGINES '85-92'
S-9133	E5TZ-7107-B	SYNCHRO RING 2ND SPEED	RANGER, BRONCO II, 4X4 GAS, 2.8, 2.9 LITER ENGINES '85-92'
S-9135	E8TZ-7107-G	SYNCHRO RING 2ND SPEED	RANGER, BRONCO II, 4X4 GAS, 2.9 LITER ENGINE ONLY '88-92'
S-9136	E8TZ-7107-H	SYNCHRO RING REV SPEED	RANGER, BRONCO II, 4X4 GAS, 2.9 LITER ENGINE ONLY '88-92'

NEWSTAR REPLACEMENT GEARS AND PARTS

APPLICATION: FORD ZF S5-42 SERIES TRANSMISSIONS

FOR F150/250/350/450
Superduty, F53/59



LATEST ADDITIONS TO OUR CATALOG

ALL PARTS SUPPLIED ARE S&S/NEWSTAR. USE OF OTHER MANUFACTURERS' NAMES, PART NUMBERS, OR TRADEMARKS ARE FOR INFORMATIONAL AND IDENTIFICATION PURPOSES ONLY. PRICES ARE SUBJECT TO CHANGE OR WITHDRAWAL WITHOUT NOTICE.

NEWSTAR REPLACEMENT GEARS AND PARTS

APPLICATION: FORD ZF S5-42 SERIES TRANSMISSIONS

NEWSTAR NUMBER	ILLUSTRATION NUMBER	QTY. REQ'D	REPLACEMENT FOR PART NUMBER	DESCRIPTION
S-8702	15	1	F4TZ-7017-C 1307-202-128	INPUT SHAFT FOR ENGINES: 6.9,7.3 LITER , TRUCK MODELS: F150/250/350/450/53/59-'4X2'/'4X4'
S-8703	15	1	F4TZ-7017-B 1307-202-127	INPUT SHAFT FOR ENGINES: 6.9,7.3,7.5 LITER, TRUCK MODELS: F150/250/350/450/SUPER-'4X2'/'4X4'
S-8704	15	1	F4TZ-7017-A 1307-202-126	INPUT SHAFT FOR ENGINES:4.9,5.8 LITER, TRUCK MODELS: F150/250/350/450/SUPER-'4X2'/'4X4'
S-8482	18A	1	FOTZ-7124-D	SYNCHRONIZER ASSY. 1ST AND 2ND FITS ALL ZF S5-42 TRANSMISSIONS
S-8484	18C	1	FOTZ-7124-E	SYNCHRONIZER ASSY., 3RD AND 4TH FITS ALL ZF S5-42 TRANSMISSIONS
S-8711	19	1	F4TZ-7196-B 1307-204-322	M.S. 3RD GEAR ENGINES: 6.9,7.3 LITER, TRUCK MODELS F150/250/350/450/53/59/SUPER-'4X2'/'4X4'
S-8706	26	1	E9TZ-7100-A 1307-204-298	M.S. 1ST GEAR FITS ALL ZF S5-42 TRANSMISSIONS
S-8709	29	1	F3TZ-7142-A 1307-204-297	M.S. REV GEAR ENGINES: 4.9,5.8,6.9,7.3,7.5 LITER, TRUCK MODELS:F150/250/350/450/53/59-'4X2'/'4X4'
S-8708	39	1	E7TZ-7113-E F4TZ-7113-B 1307-203-037	COUNTERSHAFT ENGINES: 6.9,7.3 LITER, TRUCK MODELS: F150/250/350/450/53/59/SUPER-'4X2'/'4X4'
S-8485	43	2	1307-304-181	SYNCHRONIZER RING, 1ST AND 2ND FITS ALL ZF S5-42 TRANSMISSIONS
S-8486	44	3	1307-304-182	SYNCHRONIZER RING, 3RD, 4TH AND 5TH SPEEDS FITS ALL ZF S5-42 TRANSMISSIONS
S-8712	45	1	1307-304-175	SYNCHRONIZER RING, REV. SPEED FITS ALL ZF S5-42 TRANSMISSIONS
S-8618	—	1	F5TZ-7153-A	GASKET KIT - INCLUDES FLANGE NUT FITS ALL ZF S5-42 TRANSMISSIONS
S-9201	—	1	T300ZFX	BEARING AND SEAL INSTALLATION KIT INCLUDES MAINSHAFT BRGS. FITS ALL ZF S5-42 TRANSMISSIONS
S-A294	43,44,45	1	RK1307	SYNCHRONIZER RING KIT FITS ALL ZF S5-42 TRANSMISSIONS
S-A871	—	1	T300ZF-1	BEARING AND SEAL KIT INSTALLATION KIT WITHOUT MAINSHAFT BRGS. FITS ALL ZF S5-42 TRANSMISSIONS

NEWSTAR REPLACEMENT GEARS AND PARTS

APPLICATION: GM / MUNCIE SM465 TRANSMISSIONS

NEWSTAR NUMBER	REPLACEMENT FOR GM NUMBER	REPLACEMENT FOR INDUSTRY NUMBER	DESCRIPTION
S-6644	465449	SEE 14053671	COUNTERSHAFT
S-4016	476766	WT304-12	M.S. 1ST GEAR
S-8208	794381	WT304-28	SHIFT LEVER
S-8380	3830575	———	MAINSHAFT NUT
S-9003	3866359	PART OF AWT304-80 SM465	SPRING
S-3440	3901137	WT304-22	FORK, 1ST & 2ND
S-3441	3901138	WT304-22A	FORK, 3RD & 4TH
S-6013	3901141	WT304-10	REV. IDLER GEAR
S-6645	3901146	WT304-3	COUNTERSHAFT
S-7236	3901158	WT304-21	M.S. 2ND GEAR
S-4014	3901161	WT304-11	M.S. 3RD GEAR
S-6631	3901164	WT304-2.5	M.S. 3RD & 4TH HUB
S-4522	3901165	WT304-15	M.S. SLEEVE 3RD & 4TH
S-6014	3901170	WT304-36	M.S. REV GEAR
S-6632	3901175	WT304-16A	MAIN DRIVE GEAR
S-6633	3901176	WT304-16	MAIN DRIVE GEAR
S-6164	3930800	WT304-55	GASKET SET
S-3438	3932253	WT304-19	BUSHING, 1ST & 2ND
S-4016	3932256	SEE 476766	M.S. 1ST GEAR
S-4015	3932265	WT304-2A	MAINSHAFT
S-C609	3932267	SM465	THRUST WASHER
S-C610	3932268	SM465	THRUST WASHER
S-3439	3932274	WT304-19A	BUSHING, 3RD
S-6636	3946776	WT304-81	M.S. 1ST, 2ND & REV HUB
S-6637	3950367	WT304-83A	RING, 1ST, 2ND & REV
S-6639	3968038	WT304-34	C.S. 3RD GEAR
S-6055	3993036	WT304-14A	RING, 3RD & 4TH
S-6641	6259663	AWT304-2C	MAINSHAFT
S-7195	8885008	———	BRG AND SEAL KIT
S-3652	———	AWT304-2.5	SYNCHRONIZER
S-3653	———	AWT304-80	SYNCHRONIZER
S-5951	14020811	WT304-17/ WT304-91	C.S. SLEEVE
S-6644	14053671	WT304-3A	COUNTERSHAFT
S-6645	14083537	SEE 3901146	COUNTERSHAFT
S-6632	15588219	SEE 3901175	MAIN DRIVE GEAR
S-4040	SP-304-50	SM465	SMALL PARTS KIT
S-6163	WT-304-11AX	———	GEAR KIT

LATEST ADDITIONS TO OUR CATALOG

ALL PARTS SUPPLIED ARE S&S/NEWSTAR. USE OF OTHER MANUFACTURERS' NAMES, PART NUMBERS, OR TRADEMARKS ARE FOR INFORMATIONAL AND IDENTIFICATION PURPOSES ONLY. PRICES ARE SUBJECT TO CHANGE OR WITHDRAWAL WITHOUT NOTICE.

NEWSTAR REPLACEMENT GEARS AND PARTS

APPLICATION: INTERNATIONAL TRUCK TRANSMISSIONS

NEWSTAR NUMBER	REPLACEMENT FOR PART NUMBER	DESCRIPTION	APPLICATION - MODEL
S-5094	18521R1	MAINSHAFT NUT	T-495,496
S-4630	111082R1	PTO GASKET	T-34,35,36,495,496,698,699
S-A094	238582R31	INPUT SHAFT	T-34,36
S-4573	238585R1	C.S. DRIVE GEAR	T-34,35,36,495,496,698,699
S-4592	238589R1	C.S. 3RD GEAR	T-34,35,36,495,496,698,699
S-4390	238598R31	MAINSHAFT	T-34,35,36
S-4580	238599R1	M.S. 1ST GEAR	T-34,35,36
S-6835	238609R94	SYNCHRONIZER	T-34,35,36,495,496,698,699
S-4578	238612R3	M.S. 4TH GEAR	T-34,35,36,495,496,698,699
S-2272	238614R92	SYNCHRONIZER	T-34,35,36,495,496,698,699
S-7214	281817C96 (T156)	BEARING AND SEAL KIT	T-34,35,36,495,496
S-2526	401097C3	FORK 2ND AND 3RD	T-495,496,698,699
S-4271	440276C2	COUNTERSHAFT	T-495,496,698,699
S-7239	440283C2	MAINSHAFT	T-495,496
S-4264	440285C2	MAIN DRIVE GEAR	T-495,496,698,699
S-4267	440286C2	MAIN DRIVE GEAR	T-495,496,698,699
S-4390	453408C91	MAINSHAFT KIT	USE 238598R31
S-4271	469143C91	COUNTERSHAFT KIT	USE 440276C2
S-4266	474077C1	CLUTCH HUB	T-495,496
S-7244	474078C1	M.S. 1ST GEAR	T-495,496
S-4542	487871C1	M.S. REV GEAR	T-698,699
S-4543	487872C1	M.S. 1ST GEAR	T-698,699
S-4544	487873C1	M.S. 2ND GEAR	T-698,699
S-4545	487874C1	CLUTCH HUB	T-698,699
S-4546	487875C1	MAINSHAFT	T-698,699
S-3665	508054C1	FORK 4TH AND 5TH	T-495,496,698,699
S-4574	863822R1	COUNTERSHAFT	T-34,35,36
S-4588	863823R3	M.S. 2ND GEAR	T-34,35,36,495,496
S-6165	876641R93	GASKET SET	T-34,35,36
S-6166	WT-320-50B	SMALL PARTS KIT	T-698,699
S-5505	SP-325-50	SMALL PARTS KIT	T-495,496

NEWSTAR REPLACEMENT GEARS AND PARTS

APPLICATION: MACK TRANSMISSIONS

NEWSTAR NUMBER	REPLACEMENT FOR MACK NUMBER	DESCRIPTION	APPLICATION - MODEL	REPLACEMENT FOR PAI/EXCEL
S-5257	3-AX-1749-X	BOLT	TRQ-7220,TRL-1076,1078	6060
S-5257	3-AX-1803-X	BOLT	TRQ-7220,TRL-1076,1078,T-2090	6060
S-7621	21-AX-360	NUT	T-2090	5977
S-5956	56-AX-432	O-RING	T-2090	2500
S-9704	88-AX-391-P2	OIL SEAL	TRXL,TRDL107,TRTXL-1070	6950
S-8604	88-AX-440-P4	OIL SEAL	TRL-107,1076,1078	7310
S-10137	320-KB-332-F	SLIDING CLUTCH	TRTXL107,1070	2604
S-7635	320-KB-340-A	CLUTCH GR., 2ND & 3RD	TRDL-107,TRXL-107	2601
S-9397	320-KB-450-C	CLUTCH	T-2090	2532
S-10059	320-KB-459-A	SLIDING CLUTCH	T2080,2090,2100	2542
S-6039	320-KB-2119	CLUTCH GR., LO DIRECT	TRXL-107,TRDL/TRDLG,TRTXL-1070	2602
S-6040	320-KB-2126-A	CLUTCH GR., 4TH & 5TH	TRL-1076,1078,TRXL-107	2531
S-6039	320-KB-3119	CLUTCH GR., LO DIRECT	TRXL-107,TRDL,TRDLG,TRTXL-1070	2602
S-9695	320-KB-3136	SLIDING CLUTCH GEAR	T-2050,2060,2070,2090,T-2100,2130,2180	2527
S-9857	320-KB-3137-A	GEAR	T-2090,2100,2130,T2	2534
S-10066	320-KB-3141	CLUTCH	T2130,2180	2634
S-B355	495-KB-361	STEEL PLATE QTY PK OF 8	T-2090,2100,2130,2180	2525
S-B356	495-KB-367	FRICTION DISC QTY PK OF 8	T-2090,2100,2130,2180	2526
S-B090	541-KB-29	BREATHER	TRL-107,1076,1078,REAR CASE	6440
S-9951	575-KB-450	FORK	T2090,2100,2180	0659
S-C394	575-KB-3303-C	FORK, 4TH & 5TH	T-2050,2060,2070,2090,2100	0632
S-7512	736-KB-318-A	REVERSE IDLER GEAR	TRL-1076,1078,TRXL-107	6271
S-6042	751-KB-223-B	REVERSE IDLER GEAR	TRL-1076,1078,TRXL-107	6321
S-F132	751-KB-257-B	REVERSE IDLER GEAR	TRL1076,1078,TRXL107	6322
S-6043	751-KB-3108	M.S. 3RD GEAR	TRL-1076,1078,TRXL-107	6231
S-6044	751-KB-3109-B	M.S. 4TH GEAR	TRL-1076,1078,TRDL-107	1711
S-F405	751-KB-3341-B	GEAR-MAINSHAFT	T2090,2130,2180	6471
S-9398	751-KB-3450-B	M.S. GEAR, O.D. HIGH GR.	T-2090,2100	6252
S-10067	751-KB-3491	DRIVE GEAR	T2130,2180	6464
S-F131	751-KB-4123	AUX GEAR-MAINSHAFT	T2070,2080B,2130,2180	6199
S-F406	757-KB-428	GEAR-COUNTERSHAFT	T2090,2100,2130,2180	6373
S-10501	757-KB-434	GEAR-COUNTERSHAFT	T2090,2130,2180	6374
S-10158	757-KB-444	GEAR-COUNTERSHAFT	T2050,2060,2070	6484
S-F502	764-KB-468-E	INPUT SHAFT	TRTXL107,1070	6733
S-6045	764-KB-499-BP1	MAIN DRIVE GEAR	TRXL-107,TRDL,TRDLG-1070	6731
S-6045	764-KB-499-C	MAIN DRIVE GEAR	TRXL-107,TRDL,TRDLG-1070	6731
S-6045	764-KB-1223-AP1	MAIN DRIVE GEAR	TRXL-107,TRDL,TRDLG-1070	6731
S-7636	764-KB-3203	MAIN DRIVE GEAR	TRXL-107	6423
S-7636	764-KB-3203-B	MAIN DRIVE GEAR	TRXL-107	6423
S-E876	764-KB-3264-A	SPUR PINION	T2090,2130,2180	6723
S-E737	764-KB-3267-A	MAIN DRIVE GEAR	T2050,T2060,T2070	6702
S-F502	764-KB-468-E	INPUT SHAFT	TRTXL107,1070	6733
S-6046	764-KB-495-P1	MAIN DRIVE GEAR	TRDL-107,TRL-1076,1078	6732
S-6046	764-KB-4138-AP1	MAIN DRIVE GEAR	TRDL-107,TRL-1076,1078	6732
S-6046	764-KB-4138-B	MAIN DRIVE GEAR	TRDL-107,TRL-1076,1078	6732
S-10222	764-KB-4140-B	INPUT SHAFT	TRTXL107,1070	6734
S-9248	764-KB-4203-E	INPUT SHAFT	T-2090,2130,2180	6735
S-9399	764-KB-4248	MAIN DRIVE GEAR	T-2090,2100	6429
S-F159	764-KB-4270	DRIVE GEAR	T2080C,2090,2100	6202
S-F130	84-KC-46	HUB-LOW RANGE	T2090,2100,T2080C	6203
S-F473	84-KC-47	HUB-LOW RANGE	T2130,2180,T2080C	6198
S-5962	604-KC-31	CLUTCH SHAFT	TRXL-107,INVOLUTE SPLINE	6125
S-F158	605-KC-3183-A	COUNTERSHAFT	TRDL-107	6052
S-F129	605-KC-3184-A	COUNTERSHAFT	TRTXL-1070	6053
S-5947	611-KC-118	SHAFT	TRL-1076/1078,107	6120
S-10457	615-KC-4180	MAINSHAFT	TRXL,TRTXL-107	6422
S-B825	615-KC-4203	MAINSHAFT	T-2060	6648

LATEST ADDITIONS TO OUR CATALOG

ALL PARTS SUPPLIED ARE S&S/NEWSTAR. USE OF OTHER MANUFACTURERS' NAMES, PART NUMBERS, OR TRADEMARKS ARE FOR INFORMATIONAL AND IDENTIFICATION PURPOSES ONLY. PRICES ARE SUBJECT TO CHANGE OR WITHDRAWAL WITHOUT NOTICE.

NEW★STAR REPLACEMENT GEARS AND PARTS

APPLICATION: MACK TRANSMISSIONS

NEW★STAR NUMBER	REPLACEMENT FOR MACK NUMBER	DESCRIPTION	APPLICATION - MODEL	REPLACEMENT FOR PAI/EXCEL
S-7619	789-KC-117	SLEEVE	TRXL-107,TRQ-7220,T-2090	6960
S-10338	223-KD-241	THRUST WASHER	T2090,2100,2130,2180	5999
S-10339	223-KD-249	THRUST WASHER	T2090,2100,2130,2180	5998
S-9968	223-KD-253	WASHER	T-2050,2070,2090	5985
S-11852	223-KD-261-A	THRUST WASHER	T2090,2100	5997
S-11997	223-KD-262	THRUST WASHER	T2060,2070,2090,2100,2130,2180	5972
S-11998	223-KD-262-P2	THRUST WASHER	T2060,2070,2090,2100,2130,2180	5973
S-9969	223-KD-316-A	WASHER	T-2050,2070,2090	5983
S-13424	223-KD-317-A	THRUST WASHER	T2090,2100,2130,2180	5984
S-11999	233-KD-39	THRUST WASHER	T2060,2070,2090,2100,2130,2180	5994
S-2938	1-MR-2297	REVERSE SWITCH	TRQ-7220,TRQ-1076,1078,T-2090	4396
S-9603	208-SH-84	BEARING & SEAL KIT	TRXL 107,1071	6561
S-13213	208-SH-101-A	BEARING & SEAL KIT	T2060,2070,2080,2090,2100,2130,2180	6565
S-B905	208-SH-105	BEARING & SEAL KIT	TR107,TRL1076,1078	6563

DID YOU KNOW **NEW★STAR** NOW
 OFFERS REPLACEMENT PTO'S TOTALLY
 INTERCHANGEABLE WITH CHELSEA™ FOR MOST
 POPULAR MACK TRANSMISSIONS

NEWSTAR REPLACEMENT GEARS AND PARTS

APPLICATION: NEW PROCESS TRANSMISSIONS



NEWSTAR NUMBER	REPLACEMENT FOR PART NUMBER	DESCRIPTION	APPLICATION - MODEL
S-6821	11118	COUNTERSHAFT	540,541-GM,IHC,DODGE
S-6673	11188	SLIDING CLUTCH	540 REVERSE BOX
S-7269	11189	MAIN DRIVE GEAR	540 REVERSE BOX
S-6675	11192	OUTPUT GEAR	540 REVERSE BOX
S-6676	11193	CLUTCH GEAR	540 REVERSE BOX
S-7427	11239	MAIN DRIVE GEAR	540 REVERSE BOX
S-6823	11294	CLUTCH HUB	540-GM,IHC,DODGE,FORD,IHC-T34,35,36,495,496,698,699
S-6815	11306	LEVER	435
S-4969	11334	OUTER RING	435,540,7550,7590-FORD,GM,IHC,DODGE
S-2501	11337	SYNCHRONIZER	540 FORD,GM,IHC,DODGE
S-4776	11338	SYNCHRONIZER	435 FORD,GM,IHC,DODGE
S-6683	11367	SYNCHRONIZER	7550,7590-IH
S-6684	11368	SYNCHRONIZER	7550,7590 DODGE
S-4650	11370	OUTER RING	541,542 FORD,GM,IHC,DODGE, T35,36,495,496,698,699-IHC
S-6686	11425	SYNCHRONIZER	435,541,542 GM,IHC,DODGE
S-6690	11562	SYNCHRONIZER	435 FORD,DODGE
S-6691	11563	SYNCHRONIZER	7550,7590,IHC
S-6811	11564	SYNCHRONIZER	542 FORD,DODGE,IHC
S-6693	11580	SYNCHRONIZER	540 DODGE,IHC
S-6695	11582	SYNCHRONIZER	435 DODGE
S-6825	11780	MAINSHAFT	7550,7590-IHC
S-6826	11808	COUNTERSHAFT	542 DODGE,GM
S-6700	11809	COUNTERSHAFT	542 FORD,DODGE,IHC
S-6701	11824	MAIN DRIVE GEAR	7550,7590 GM,DODGE
S-6704	11953	MAIN DRIVE GEAR	435-DODGE
S-5975	13082	MAINSHAFT	435-FORD
S-6831	13185	MAINSHAFT	435-FORD
S-6709	13253	MAIN DRIVE GEAR	REVERSE BOX 540
S-6832	13259	LOW GEAR & STOP	7550,7590-GM,IHC,DODGE
S-6710	13288	MAINSHAFT	435-FORD,DODGE
S-6711	13527	COUNTERSHAFT	435-FORD,DODGE
S-5855	13528	M.S. 3RD GEAR	435-FORD,DODGE
S-3613	13639	RING AND PIN ASSY	542-FORD,GM,DODGE,ALUMINUM
S-6714	13647	SYNCHRONIZER	445,4590-IHC,DODGE
S-6835	13648	SYNCHRONIZER	541,542-IHC,DODGE,IHC-T35,36, 495,496,698,699
S-6836	13649	SYNCHRONIZER	7550,7590-IHC
S-6715	13678	MAIN DRIVE GEAR	542-DODGE

LATEST ADDITIONS TO OUR CATALOG

ALL PARTS SUPPLIED ARE S&S/NEWSTAR. USE OF OTHER MANUFACTURERS' NAMES, PART NUMBERS, OR TRADEMARKS ARE FOR INFORMATIONAL AND IDENTIFICATION PURPOSES ONLY. PRICES ARE SUBJECT TO CHANGE OR WITHDRAWAL WITHOUT NOTICE.

NEWSTAR REPLACEMENT GEARS AND PARTS

APPLICATION: NEW PROCESS TRANSMISSIONS

NEWSTAR NUMBER	REPLACEMENT FOR PART NUMBER	DESCRIPTION	APPLICATION - MODEL
S-6720	13779	MAIN DRIVE GEAR	208-FORD,DODGE
S-6839	13948	MAIN DRIVE GEAR	208-GM
S-6727	15112	MAIN DRIVE GEAR	208-GM
S-6730	15307	SPROCKET	208-FORD,GM,DODGE
S-3584	15328	MAIN DRIVE GEAR	435-FORD
S-6738	15588	C.S. DRIVE GEAR	542-FORD,GM
S-6742	15592	C.S. 4TH GEAR	542-FORD,GM
S-6743	15593	M.S. 3RD GEAR	542-FORD
S-6746	15596	C.S. 3RD GEAR	542-FORD
S-6842	15746	MAIN DRIVE GEAR	542-GM
S-6784	17095	RETAINER	435-GM
S-3228	91177	M.S. 4TH GEAR	540,541-GM,IHC,DODGE
S-6754	91197	C.S. DRIVE GEAR	540-DODGE
S-6844	91198	C.S. 3RD & 4TH GEAR	540,541-FORD,GM,IHC,DODGE
S-6756	91226	FORK ASSEMBLY	540,541-GM,IHC,DODGE
S-4106	91383	M.S. 1ST GEAR	540,541-GM,IHC,DODGE,FORD
S-C725	91458	REAR BRG RETAINER, C.S.	MODEL 540
S-6845	91568	SLIDING CLUTCH	540-FORD,GM,IHC,DODGE
S-6848	91581	SLIDING CLUTCH	540,541-FORD,GM,IHC,DODGE
S-6759	91677	FORK ASSEMBLY	540,541,542-FORD,GM,IHC,DODGE
S-4641	91888	EMER BRAKE BAND	435-IHC,GM,DODGE
S-7715	91967	C.S. DRIVE GEAR	540-DODGE,IH,FORD,GM
S-6848	92496	C.S. 4TH GEAR	541,542-FORD,IHC,DODGE,GM
S-6850	92508	M.S. 1ST GEAR	541,542-GM,DODGE
S-6851	92516	C.S. 3RD GEAR	541,542-FORD,GM,IHC,DODGE
S-6852	92517	C.S. 4TH GEAR	541,542-FORD,GM,IHC,DODGE
S-3229	92683	REV. IDLER GEAR	540,541-FORD,GM,IHC,DODGE
S-6853	92687	C.S. DRIVE GEAR	541,542-FORD,GM,IHC,DODGE
S-6762	92708	OUTER RING	540,541,542-FORD,GM,IHC, DODGE,IHC-T495,496,698,699
S-6854	92736	REV. IDLER GEAR	541,542-FORD,GM,IHC,DODGE
S-6855	93549	INSERT - QTY PKG 25	435,542-FORD,GM,IHC,DODGE
S-6856	93653	M.S. 3RD GEAR	540-FORD,GM,IHC,DODGE
S-5240	93654	M.S. 2ND GEAR	540,541-FORD,GM,IHC,DODGE
S-6768	93662	MAIN DRIVE GEAR	541,542-GM
S-6770	93722	MAIN DRIVE GEAR	540,541-DODGE
S-4108	93824	C.S. DRIVE GEAR	540,541-GM,DODGE,FORD
S-5484	93966	FORK ASSEMBLY	540,541,542-FORD,GM,IHC,DODGE
S-2237	94461	INNER STOP RING	542-GM,FORD,IHC,DODGE
S-2708	94462	SLIDING CLUTCH	541,542-IHC,DODGE,GM,IHC-T35, 36,495,496,698,699
S-2238	94469	INNER STOP RING	542-GM,FORD,IHC,DODGE
S-9176	AX94906	LEVER BOOT KIT	435,542
S-4559	95286	MAIN DRIVE GEAR	541,542-FORD
S-6857	95288	MAIN DRIVE GEAR	541,542-FORD
S-6858	95553	MAIN DRIVE GEAR	540,541-GM
S-7275	95708	M.S. 3RD GEAR	435-FORD,GM,IHC,DODGE
S-7276	95723	MAIN DRIVE GEAR	435-FORD
S-7277	95724	RETAINER	435-FORD
S-7278	95726	M.S. 2ND GEAR	435-FORD,GM,IHC,DODGE
S-6859	95727	RING AND PIN	435-FORD,GM,IHC,DODGE
S-6779	95733	COUNTERSHAFT	435-FORD,GM,IHC,DODGE
S-6780	95734	RETAINER	435-FORD,GM,IHC,DODGE
S-6782	95747	FORK ASSEMBLY	435-IHC,DODGE,GM
S-3223	95761	MAIN DRIVE GEAR	540-DODGE
S-6054	95849	CLUTCH GEAR	435-FORD,GM,IHC,DODGE
S-6783	95868	RETAINER	540,541-DODGE,GM
S-7279	95947	MAINSHAFT	435-GM,DODGE,FORD

LATEST ADDITIONS TO OUR CATALOG

ALL PARTS SUPPLIED ARE S&S/NEWSTAR. USE OF OTHER MANUFACTURERS' NAMES, PART NUMBERS, OR TRADEMARKS ARE FOR INFORMATIONAL AND IDENTIFICATION PURPOSES ONLY. PRICES ARE SUBJECT TO CHANGE OR WITHDRAWAL WITHOUT NOTICE.

NEWSTAR REPLACEMENT GEARS AND PARTS

APPLICATION: NEW PROCESS TRANSMISSIONS

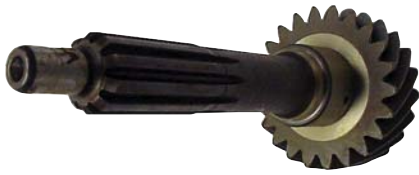
NEWSTAR NUMBER	REPLACEMENT FOR PART NUMBER	DESCRIPTION	APPLICATION - MODEL
S-9368	95961	BUSHING	FOR 95979 REV. IDLER GEAR
S-7281	95991	MAINSHAFT	435-IHC
S-7282	95993	MAIN DRIVE GEAR	435-IHC
S-6784	96003	RETAINER	435-GM
S-6860	96004	MAIN DRIVE GEAR	435-GM
S-7283	96009	MAINSHAFT	435-GM,DODGE
S-6861	96354	MAIN DRIVE GEAR	435-GM
S-7284	96372	MAIN DRIVE GEAR	435-FORD
S-3660	96373	RETAINER	435-FORD
S-7822	96829	CLUTCH GEAR	435-IHC,DODGE
S-A037	96828	BEARING	435-IHC,DODGE
S-6863	96914	M.S. 3RD GEAR	435-DODGE
S-6864	96969	INSERT - QTY PACK 25	435-IHC,GM,FORD,DODGE
S-6865	96986	CLUTCH GEAR W/BEARING	435-IHC,DODGE
S-7285	97121	M.S. LOW GEAR	435-FORD,GM,DODGE,IHC
S-6866	97348	MAINSHAFT NUT	435,540,541-GM,IHC,DODGE
S-6787	97419	MAIN DRIVE GEAR	541,542-GM
S-9060	97432	RETAINER W/SEAL	542-GM
S-3746	97562	SLIDING CLUTCH	542-FORD,GM,DODGE,IHC
S-6790	97588	SHAFT	REV BOX 540
S-6791	97591	REV. IDLER SHAFT	540 REVERSE BOX TIMBERJACK,TOW MOTOR
S-6793	97601	COUNTERSHAFT	540-542,REVERSE BOX
S-6868	97672	MAIN DRIVE GEAR	435-DODGE
S-6869	97753	MAINSHAFT	540,541-GM,IHC,DODGE
S-6870	97754	MAINSHAFT	540,541-GM
S-6871	97798	M.S. GEAR	540,541-GM,DODGE
S-3586	97844	CLUTCH GEAR	542-FORD,GM,IHC,DODGE
S-4279	97848	MAINSHAFT	542-GM,IHC,DODGE
S-6872	97978	M.S. 2ND GEAR	542-FORD,IHC,DODGE
S-6873	97999	M.S. 3RD GEAR	542-FORD,IHC,DODGE
S-6878	99104	REV. IDLER GEAR	445,4590-GM,IHC,DODGE
S-6805	99285	GEAR W/O BUSHING	75,507,590
S-6884	99291	SLIDING CLUTCH	7550,7590-GM,IHC,DODGE
S-6885	99292	CLUTCH GEAR	7550,7590-GM,IHC,DODGE
S-6886	99511	MAINSHAFT	542-FORD
S-8714	99528	SHIFT COVER ASSY	—
S-7287	99705	MAIN DRIVE GEAR	542-IHC
S-6812	99754	MAIN DRIVE GEAR	NP-540,542 REVERSE BOX
S-9747	T27	BEARING & SEAL KIT	540,541,542 EARLY
S-9605	T29	BEARING & SEAL KIT	541,542
S-9606	T29B	BEARING & SEAL KIT	542 FORD LATE MODELS
S-7216	T127	BEARING & SEAL KIT	435 FORD
S-8819	T127B	BEARING & SEAL KIT	435 GM
S-6819	GS-435	GASKET SET	435
S-6820	GS-540	GASKET SET	540,541,542
S-8937	GS-540-RB	GASKET SET	540
S-A479	SP-208-50	SMALL PARTS KIT	208
S-6159	SP-277-50	SMALL PARTS KIT	540,541
S-6159	SP-283-50	SMALL PARTS KIT	541,542
S-3884	SP-291-50	SMALL PARTS KIT	435
S-5853	SP-310-50	SMALL PARTS KIT	542

LATEST ADDITIONS TO OUR CATALOG

ALL PARTS SUPPLIED ARE S&S/NEWSTAR. USE OF OTHER MANUFACTURERS' NAMES, PART NUMBERS, OR TRADEMARKS ARE FOR INFORMATIONAL AND IDENTIFICATION PURPOSES ONLY. PRICES ARE SUBJECT TO CHANGE OR WITHDRAWAL WITHOUT NOTICE.

NEWSTAR REPLACEMENT GEARS AND PARTS

APPLICATION: NEW VENTURE TRANSMISSIONS



NEWSTAR NUMBER	REPLACEMENT FOR		DESCRIPTION	MODEL NUMBER	
	NEW VENTURE NUMBER	GM NUMBER			CHRYSLER NUMBER
S-13369	16780	15635260	—	OIL SEAL	4500
S-13418	16795	15635232	—	WASHER	4500
S-13419	16797	15635252	—	WASHER	4500
S-D491	16799	15635278	—	GEAR-MAINSHAFT OD	4500
S-13432	16846	15635197	—	BEARING CAP	4500
S-A592	16999	12548339	4637798	M.S. 5TH GEAR	4500
S-A841	17271	15637268	—	C.S. DRIVE GEAR	4500
S-A593	17272	—	4637704	C.S. DRIVE GEAR	4500
S-D492	17284	15637274	4637719	SYNCHRO RING	4500
S-D493	17293	15637281	4637730	GEAR-MAINSHAFT 3RD	4500
S-D494	17298	15637286	4637739	SYNCHRO RING	4500
S-D495	17306	15637291	4637861	SLIDER (SYNCHRO SLEEVE)	4500
S-D496	17307	15637298	4637792	SYNCHRO RING	4500
S-D497	17308	15637292	—	REVERSE GEAR, COUNTERSHAFT	4500
S-D498	17309	—	4637760	REVERSE GEAR, MAINSHAFT	4500
S-A842	17310	15637293	—	INPUT SHAFT	4500
S-D499	17311	—	4637772	INPUT SHAFT	4500
S-D500	17317	15637296	—	GEAR, COUNTERSHAFT OD	4500
S-A843	17318	12548338	4637786	C.S. 5TH GEAR	4500
S-D501	17330	—	4637703	GEAR, COUNTERSHAFT 3RD	4500
S-A940	17507	15665238	—	RETAINER W/SEAL	4500
S-A579	18160	—	4882358	INPUT SHAFT	4500
S-D502	18161	—	4741543	FRONT RETAINER	4500
S-A840	18164	12473260	4741551	M.S. 5TH GEAR	4500
S-D503	18321	12542866	—	SLIDER (SYNCHRO SLEEVE)	4500
S-D504	18412	12542865	4740824	SYNCHRO ASSEMBLY	4500
S-D505	18918	12382792	4874369	M.S. 3RD GEAR	4500
S-D506	18922	12542867	—	GEAR, MAINSHAFT 3RD	4500
S-D507	18923	12473258	4723009	REVERSE GEAR	4500
S-13440	19016	5714224	—	OIL SEAL	4500
S-A578	20018	12548483	—	INPUT SHAFT	4500
S-13431	20231	12548394	4778216	SHIFT RAIL	4500
S-A844	21313	15637289	4874370	CLUTCH RING	4500
S-A595	22608	12382796	4637700	COUNTERSHAFT	4500
		12548477	4874836		
		12382834	—	COUNTERSHAFT	4500
S-13105	23712	12548980	4773011	GEAR-MAINSHAFT	4500
S-D510	25330	12382817	—	MAINSHAFT	4500
S-D511	25331	12382818	—	MAINSHAFT	4500
S-D512	25332	12382819	—	MAINSHAFT	4500
S-A579	25356	—	4882358	INPUT SHAFT	4500
S-D513	27170	12382816	—	MAINSHAFT	4500
S-D514	27171	—	4882317	MAINSHAFT	4500
S-D515	27173	—	4882318	MAINSHAFT	4500
S-D516	27176	—	4741468	MAINSHAFT	4500
S-A341	23049683	—	—	INPUT SHAFT	3500
S-A342	23049687	—	—	CLUSTER	3500
S-A520	SP-3500-50	—	—	SMALL PARTS KIT	3500
S-A521	SP-4500-50	—	—	SMALL PARTS KIT	4500
S-9823	T4500BK	—	—	BEARING & SEAL KIT	4500
S-9826	T308R	—	—	BEARING & SEAL KIT	4500
				W/CAGED NEEDLE BEARINGS	
S-9820	T235	—	—	BEARING & SEAL KIT	3500
				1ST DESIGN "88-89"	
S-9822	T235B	—	—	BEARING & SEAL KIT	3500
				3RD DESIGN "91 & UP"	

NEWSTAR REPLACEMENT GEARS AND PARTS

APPLICATION: TTC TRANSMISSIONS



NEWSTAR NUMBER	REPLACEMENT FOR TTC NUMBER	INTERNATIONAL NUMBER	DESCRIPTION	APPLICATION MODEL
S-10282	30-1-26	—	GEAR-MAINSHAFT	3000
S-A834	30-8-35	—	GEAR-MAINSHAFT	3000
S-11157	30-8-50	290131C1	GEAR-MAINSHAFT	3000
S-7036	30-8-78	—	GEAR-MAINSHAFT	3000
S-7037	30-35-96	—	INPUT SHAFT	3152
S-7436	30-35-97	—	INPUT SHAFT	3152A,3153,3153A
S-10283	30-37-14	—	SLEEVE	3000
S-5653	40-1-1	596346C1	C.S. GEAR DRIVE	CM40,ES42-5
S-5654	40-8-3	596354C1	M.S. 3RD GEAR	CM40
S-5663	40-8-5	596352C1	M.S. 2ND GEAR	CM40,ES42-5
S-A009	40-8-7	596341C1	M.S. 1ST GEAR	CM40
S-A295	40-8-9	596347C1	M.S. REV. GEAR	CM40
S-5662	40-8-11	596357C1	M.S. 3RD GEAR	4054-D
S-A329	40-8-17	1663640C1	M.S. 3RD GEAR	CM40
S-5623	40-35-12-1X	1651805C91	INPUT SHAFT	CM40
S-F012	40-35-18-1X	1666378C91	INPUT SHAFT	CM4054A,ES42-5A
S-A130	40-196-3	596353C1	C.S. 3RD GEAR	CM40
S-A101	40-196-5	596351C1	C.S. 2ND GEAR	CM40
S-5664	40-362-1	596358C1	MAINSHAFT	CM40
S-5657	40-465-11	1655543C1	CLUTCH COLLAR, 1ST & REV	CM40,ES42-5
S-5659	40-466-1	596355C1	M.S. CLUTCH GEAR, 4TH & 5TH	CM40
S-7040	46-8-31	105897R1	M.S. 2ND GEAR	5652,5752,A,C,5753,A,5756B,5852A,5756B,5852A,5853B,C
S-7042	46-8-37	236286R1	M.S. GEAR, 1ST & REV	5000
S-7043	46-8-39	871422R1	M.S. 4TH GEAR	5652A,5752,5752A
S-7044	46-8-41	968867R1	M.S. 2ND GEAR	5652A,B
S-7045	46-8-82	443607C1	M.S. 3RD GEAR	5052A,5652,5752
S-7046	46-8-84	443608C1	M.S. 4TH GEAR	5052A,5052C,5652,B
S-F261	46-8-87	487973C1	GEAR-MAINSHAFT	CM5052C
S-7047	46-8-89	444731C1	M.S. 4TH GEAR	5052B,5652A,5752
S-7048	46-8-93	443611C1	M.S. 3RD GEAR	5052D,5252A,5752C,
S-7048	46-8-93	443611C1	M.S. 3RD GEAR	5753A,5756B
S-7049	46-8-95	444730C1	M.S. 3RD GEAR	5052B,5652A
S-7050	46-8-96	478934C1	M.S. 4TH GEAR	5052D,5252A,5756B
S-7051	46-30-12-1X	454800C91	COUNTERSHAFT	5000
S-7052	46-196-11	105913R1	C.S. GEAR	CM5052A,B,C,D,CM5252A
S-7053	46-196-17	112205R1	C.S. 3RD GEAR	5052D,5552D,5756,5852A,
S-7053	46-196-17	112205R1	C.S. 3RD GEAR	5853A,5252A,5752,5753
S-7054	46-196-29	171060R1	C.S. 3RD GEAR	5852B,5552B,5052B,5652A,B
S-7055	46-196-35	871423R1	C.S. 4TH GEAR	5552B,5052B,5652A,5752A
S-7056	46-196-37	968866R1	C.S. 2ND GEAR	5052B,C,5652A,B
S-7057	46-196-40	286922C1	C.S. 4TH GEAR	CM5052C,D,5552C,D,5252A,5852A,5756B
S-7058	46-362-21	444732C1	MAINSHAFT	5000
S-D698	46-381-1	92460R1	SNAP RING	CM50
S-4626	46-466-9	105075R1	CLUTCH, 2ND & 3RD	5000,CM50
		105910R1		
S-5731	47-1-1	478913C1	C.S. DRIVE GEAR	CM5052A,B,C,D,CM5552A,B,C,D
S-5732	47-1-3	478933C1	C.S. DRIVE GEAR	CM5852A,5252A

LATEST ADDITIONS TO OUR CATALOG

ALL PARTS SUPPLIED ARE S&S/NEWSTAR. USE OF OTHER MANUFACTURERS' NAMES, PART NUMBERS, OR TRADEMARKS ARE FOR INFORMATIONAL AND IDENTIFICATION PURPOSES ONLY. PRICES ARE SUBJECT TO CHANGE OR WITHDRAWAL WITHOUT NOTICE.

NEWSTAR REPLACEMENT GEARS AND PARTS

APPLICATION: TTC TRANSMISSIONS

NEWSTAR NUMBER	TTC NUMBER	INTERNATIONAL NUMBER	DESCRIPTION	APPLICATION MODEL
S-7059	47-8-1	478914C1	M.S. 1ST GEAR	CM50
S-7060	47-8-3	478915C1	M.S. 2ND GEAR	5052A,D,5252A
S-7061	47-8-5	478917C1	M.S. REVERSE GEAR	CM50
S-7062	47-8-6	483396C1	M.S. 2ND GEAR	5052B,C
S-5914	47-19-79-1X	1662954C91	RETAINER W/SEAL	CM55
S-5880	47-30-1	478907C1	COUNTERSHAFT	CM50
S-7063	47-362-1	478919C2	MAINSHAFT	CM50
S-7064	47-465-1	478906C1	COLLAR, 1ST & REV.	CM50,ES62-5
S-8264	49-1-1	1654834C1	C.S. DRIVE GEAR	CM49,ES52-5
S-8272	49-8-1	1654835C1	GEAR-MAINSHAFT	CM49
S-8269	49-8-3	1654837C1	M.S. 1ST GEAR	CM49,ES52-5
S-A124	49-8-5	1654840C1	M.S. 2ND GEAR	CM49
S-8276	49-8-7	1654842C1	M.S. 3RD GEAR	CM49,ES52-5
S-A277	49-8-9	1663748C91	M.S. 4TH GEAR	CM49
S-8130	49-8-11	1654845C1	M.S. 4TH GEAR	ES52-5D,4954D
S-F134	49-8-13	—	MAINSHAFT	ES43-5
S-13613	49-8-18	1699813C1	GEAR-MAINSHAFT	ES43-5A
S-8268	49-30-3	1654891C1	COUNTERSHAFT	CM49
S-10227	49-30-7	—	COUNTERSHAFT	ES43-5
S-8273	49-35-8-1X	1654893C1	INPUT SHAFT	CM49,ES52-5
		1668156C1		
S-F133	49-35-11-1X	1694633C91	INPUT SHAFT	ES43-5A,5D
S-E945	49-35-20-1X	—	INPUT SHAFT	ES43,53-5D,5E
S-11638	49-69-1-1X	2500293C91	FORK ASSEMBLY	ES43,53-5D
S-8277	49-196-1	1654839C1	C.S. 2ND GEAR	CM49
S-8278	49-196-3	1654841C1	C.S. 3RD GEAR	CM49,ES52-5
S-8266	49-196-7	1654844C1	C.S. 4TH GEAR	954D,ES52-5D
S-8275	49-362-1	1654846C1	MAINSHAFT	CM40
S-E636	49-464-1X	1699808C91	SYNCHRONIZER	ES43-5A,5D,ES53-5A,5D
S-8274	49-466-2	1654843C1	CLUTCH GEAR, 4TH & 5TH	CM49, ES42-5,ES52-5
S-A822	49-466-4	—	GEAR, CLUTCH	CM49,ES43-5D,ES53-5A,D
S-7065	50-80-1	—	3/8 CHROME BALL	CM50
S-5724	53-8-1	593894C1	M.S. GEAR, REVERSE	CM55
S-10286	53-8-5	2500693C1	GEAR-MAINSHAFT	CM55
S-5722	53-8-9	593896C1	M.S. 1ST GEAR	CM55
S-5723	53-8-10	593901C1	M.S. 2ND GEAR	CM5552A,D,CM5852D
S-5725	53-8-14	593903C1	M.S. 3RD GEAR	CM5552D,5852A
S-5726	53-8-16	593904C1	M.S. 3RD GEAR	CM5552A
S-5728	53-8-21	593907C1	M.S. 4TH GEAR	CM5552D,CM5852A
S-8464	53-8-22	593908C1	M.S. 4TH GEAR	5552A,C
S-8280	53-8-26	1651249C1	M.S. GEAR, 3RD	5552D,5852A
S-7066	53-35-1-1X	1662962C91	INPUT SHAFT	5052
S-5932	53-35-2-1X	576641C92	INPUT SHAFT	5052A
S-5931	53-35-3-1X	576643C92	INPUT SHAFT	5052A,D
S-8456	53-35-9-1X	1662970C91	INPUT SHAFT	5552A,B
S-7067	53-35-13-1X	576642C92	INPUT SHAFT	CM5852A
S-7068	53-35-14-1X	576644C92	INPUT SHAFT	CM5852A
S-8457	53-35-15-1X	1662965C91	INPUT SHAFT	5852A
S-7069	53-35-19-1X	1662967C91	INPUT SHAFT	CM5852
S-8458	53-35-20-1X	1662968C91	INPUT SHAFT	5852A
S-8817	53-66-3-1X	593925C91	FORK W/PADS, 2ND & 3RD	CM55,CM59,ES60-5
S-7070	53-362-3	593909C91	MAINSHAFT	CM55,ES62-5
S-5730	53-466-1	593897C1	M.S. CLUTCH GEAR, 2ND & 3RD	CM5552,5852
S-8920	59-66-1-1X	1653096C91	FORK 1ST AND REVERSE	CM55,CM59,ES60-5
S-4746	60-463-10-1X	424469C1	OIL SEAL W/SLEEVES	ES60,62,65,67,70-5A,5D, ES052,60-7A, CM50,55,60
S-8131	62-8-36	100067R1	GEAR, 1ST & REV.	6000
S-8132	62-8-43	495201C1	M.S. 3RD GEAR	6452,A,6453,5852G,6052C
S-7714	62-30-17	279040C1	SEE 311450X	
S-7071	62-466-14	100069R1	M.S. CLUTCH, 2ND & 3RD	CM6052
S-8233	63-8-1	495197C1	M.S. 1ST GEAR	CM60,ES65-5,ES70-5
S-8235	63-8-4	495198C1	M.S. 2ND GEAR	6052A,6252A,6052D
S-8459	63-35-34-1X	576645C91	INPUT SHAFT	6052,ES65A,B,D,E,
S-8460	63-35-37-1X	1662990C91	INPUT SHAFT	6052,ES65-5
S-8461	63-35-39-1X	1662991C91	INPUT SHAFT	6052C,ES65E

NEWSTAR REPLACEMENT GEARS AND PARTS

APPLICATION: TTC TRANSMISSIONS

NEWSTAR NUMBER	REPLACEMENT FOR TTC NUMBER	INTERNATIONAL NUMBER	DESCRIPTION	APPLICATION MODEL
S-8463	63-35-57-1X	576651C91	INPUT SHAFT	6052A,B,D,ES65-5A,5B
S-7114	67-47-1	1695580C1 443610C1	WASHER, 3RD & 4TH	5000,CM50
S-5554	70-8-33	177430R1	M.S. 1ST GEAR	R8341C,D,E
S-5549	70-8-49	390726C1	M.S. 4TH GEAR	R8341D,G,K
S-5567	70-196-29	390725C1	C.S. 2ND GEAR	R8341
S-5551	70-465-6	177444R1	COLLAR, 1ST & 2ND	R8341
S-5560	70-465-8	876595R1	COLLAR, 3RD & 4TH	R8341
S-5552	70-466-5	177445R1	CLUTCH GEAR	R8341
S-7080	82-196-35	—	C.S. 4TH GEAR	8251
S-E015	82-362-10	268220C1	MAINSHAFT	8000 SERIES
S-C323	97-1-21	486865C1	GEAR-COUNTERSHAFT	PSO150-16A,1214-3A,1414-3A
S-C324	97-8-34	432250C1	M.S. DRIVE GEAR	1010-2A
S-C325	97-8-161	593672C1	AUX. M.S. DRIVE GEAR	1414/42 TEETH
S-10290	97-8-248	—	GEAR-MAINSHAFT	1414-2A,3A,PSO150-16,1750-18A
S-10287	97-8-249	—	GEAR-MAINSHAFT	1414-2A,3A,PSO150-16,1750-18A
S-C326	97-35-6	432249C1	INPUT SHAFT	1010-4A,1214-4A
S-C327	97-35-9	432237C1	INPUT SHAFT	1214-3A,4A,1420-3A,1010-2A
S-5943	97-35-30	507631C1	INPUT SHAFT	1107-2A,1372A,B
S-7438	97-35-34	—	INPUT SHAFT	1310,1412,1414,1420
S-C328	97-66-86	—	SPLITTER FORK	1310,1410,1412
S-C329	97-66-87	—	FORK	1420
S-7084	97-196-21	399636C1	C.S. 4TH GEAR	1062C,1263B,1007-2B,2D,3A,1272A
S-7086	97-196-67	448804C2	C.S. GEAR, OVERDRIVE	1453A
S-7087	97-196-75	399637C2	C.S. 5TH GEAR	1062A,1262A,1362A, 1007-2A,2C,1207-2A
S-7089	97-196-83	485330C1	C.S. 4TH GEAR	1062A,1262A,1362A,1007-2A,1207-2A
S-C330	97-362-51	593675C1	MAINSHAFT	PSO150-16A,16B,1414-3A, 1420-3B,1412-3A
S-D978	97-463-32	401218C92	OIL SEAL	SST SERIES, VITON LIP
S-D979	97-463-33	401219C92	OIL SEAL	SST SERIES, VITON LIP
S-5544	97-465-4	399611C1	COLLAR, 4TH	1352,1452,1453,1007,1272A,1207
S-7092	97-465-5	432252C1	COLLAR, SPLITTER	SEE SGR 97-465-26
S-7093	97-465-7	435985C1	AUX. M.S. COLLAR	1214-3A,4A,1420-3A,1007-2A,3A,3B
S-7094	97-465-21	73168C1	COLLAR, 2ND & 3RD	1352A,1272,1007,1207,1107-2A, 1372,1010,1310,1410
S-5545	97-465-23	399610C3	COLLAR, 4TH	1007,1272A,1207
S-7092	97-465-26	432252C1 593677C1	COLLAR, SPLITTER	1010,1214,1020,1420
S-7095	97-465-27	591083C1	COLLAR, LOW GEAR	1412,1414,1207,1420
S-5944	97-465-33	507612C1	COLLAR	1107-2A,1372-A,B
S-5558	97-465-50	486858C1	COLLAR	1010-3A,5A
S-C331	97-466-13	593682C1	CLUTCH-MAINSHAFT	1214-3A,4A,1420-3A,1007-2A,2B,3A
S-F242	97-509-10-1X	—	FORK ASSEMBLY	
S-8219	98-1-1	456417C1	C.S. 3RD GEAR	P,1241C,D
S-5564	98-8-3	456413C1	M.S. 2ND GEAR	1241
S-5562	98-8-13	456531C1	M.S. GEAR OVERDRIVE	1241
S-7099	98-30-9-1X	456405C21	COUNTERSHAFT	1241C,P1241C
S-5565	98-35-1	456411C1	INPUT SHAFT	1241
S-8217	98-196-7	456532C1	C.S. 2ND GEAR	1241,P
S-8218	98-196-8	456533C1	GEAR, OVERDRIVE	1241,P
S-5559	98-362-3	491693C1	MAINSHAFT	1241C,D
S-13098	98-381-2	—	SNAP RING	1241
S-7102	98-465-4	456404C1	COLLAR	1241
S-F262	101-1-4	1681387C1	GEAR-AUX COUNTERSHAFT	ES065-7A
S-A957	101-8-2	1677677C1	GEAR-MAINSHAFT	ES52-7B
S-E741	101-8-20	1677686C1	GEAR-MAINSHAFT	ES52-7A
S-A960	101-8-21	1691637C1	GEAR-MAINSHAFT	ESO-66-7B
S-E877	101-8-22	—	GEAR-MAINSHAFT	ESO66-B,ESO65-7
S-11517	101-8-23	—	GEAR-MAINSHAFT	ES52-7B,ESO66-7B
S-E948	101-8-24	—	GEAR-MAINSHAFT	ESO66
S-E944	101-8-25	—	GEAR-MAINSHAFT	ESO66
S-E742	101-8-28	—	GEAR-MAINSHAFT	ES52-7A
S-11996	101-19-2-1X	1681344C91	RETAINER W/CAPS	ES52-7,60-5,65-5 & ESO65-7

LATEST ADDITIONS TO OUR CATALOG

ALL PARTS SUPPLIED ARE S&S/NEWSTAR. USE OF OTHER MANUFACTURERS' NAMES, PART NUMBERS, OR TRADEMARKS ARE FOR INFORMATIONAL AND IDENTIFICATION PURPOSES ONLY. PRICES ARE SUBJECT TO CHANGE OR WITHDRAWAL WITHOUT NOTICE.

NEWSTAR REPLACEMENT GEARS AND PARTS

APPLICATION: TTC TRANSMISSIONS

NEWSTAR NUMBER	REPLACEMENT FOR TTC NUMBER	INTERNATIONAL NUMBER	DESCRIPTION	APPLICATION MODEL
S-A961	101-35-4	1681399C91	INPUT SHAFT	ES066-7B
S-C703	101-35-16-1X	1694689C91	INPUT SHAFT	ES065-7A-7 SPEED
S-E947	101-35-26-1X	—	INPUT SHAFT	ES066
S-11639	101-69-1-1X	2502052C91	FORK ASSEMBLY	ES52-7A,B
S-11640	101-69-2-1X	2500296C91	FORK ASSEMBLY	ES52-7A,B
S-11641	101-69-3-1X	2500297C91	FORK ASSEMBLY	ES52-7A,ES065-7A
S-E642	101-196-6	1677690C1	GEAR-COUNTERSHAFT	ES52-7A,ES065-A
S-10224	101-196-8	—	GEAR-MAINSHAFT	ES52-7B, ES066-7B
S-F080	101-196-9	—	GEAR-COUNTERSHAFT	ES066-B
S-F193	101-362-5-1X	1681303C1	MAINSHAFT	ES52-7A
S-A962	101-362-6	1681304C92	MAINSHAFT	ES52-7B,ES066-7B
S-E634	101-464-1X	1699809C91	SYNCHRONIZER, 6TH & 7TH	ES52-7A,7D,ES065-7, ES066-7,ES53-5A,5D
S-E635	101-464-2X	2500245C91	SYNCHRONIZER, 4TH & 5TH	ES52-7A,7B,ES065-7A,7B
S-10500	101-465-7	1677673C1	CLUTCH COLLAR	ES43,53-5A,5D,ES52-7A,ES065-7A
S-A865	101-466-2	1677681C1	GEAR-MAINSHAFT	MATES W/313775X-ES43-5A, 5D,ES53-5A,5D
S-C082	101-486-1-1X	1681335C91	CLIP KIT	ES52-7A,7B,ES065-7A,066-7B
S-E970	101-486-4-1X	1681395C1	OIL TROUGH KIT	ES065-7A
S-13523	104-8-7	—	GEAR-MAINSHAFT	ES52-7B, 56-7B, 066-7B
S-F081	201-8-2	1668533C1	GEAR-MAINSHAFT	PSO125-9A,140-9A,150-9A, 9-VPD,LPS125-9A, 140-9A
S-A963	201-8-4	1668534C1	GEAR-MAINSHAFT	PSO140-9A,10A,PSO125
S-A964	201-8-37	1668536C1	GEAR-MAINSHAFT	PSO140-9A,10A,PSO125
S-13522	201-8-41	1668507C1	GEAR-MAINSHAFT	PRO-SHIFT PSO140-105
S-12026	201-8-43	1685527C1	GEAR-MAINSHAFT	PSO140,PS1PSO9VPD,LP140-9A
S-11518	201-8-45	1693038C1	GEAR-MAINSHAFT	PSO100,125,140,160,PSX150, ASO125,140,150,165
S-F246	201-8-46	1693040C1	GEAR-MAINSHAFT	PSO100-10S,125,140,150-10S, 160-10S,100-VPD
S-C094	201-8-48	1693036C1	GEAR-MAINSHAFT OD	ASO,PSO SERIES 10 SPEEDS, 40 TEETH
S-C095	201-8-49	1693035C1	GEAR-MAINSHAFT OD	ASO,PSO SERIES 10 SPEEDS, 50 TEETH
S-A965	201-35-2	1668557C1	INPUT SHAFT	PSO140-9A,10A,PSO125
S-C096	201-196-2	1668526C1	GEAR-C.S. OD	ASO,PSO SERIES 10 SPEEDS, 46 TEETH
S-C097	201-196-40	1693034C1	GEAR-COUNTERSHAFT	PSO,ASO SERIES
S-C098	201-196-41	—	GEAR-COUNTERSHAFT	PSO125,140-10S/ASO165-10S
S-C541	201-362-1-1X	1669351C91	MAINSHAFT	PS SERIES-9 AND 10 SPEEDS
S-C093	201-465-2	1668524C1	CLUTCH COLLAR	PSO SERIES
S-A966	201-465-4	1669422C1	COLLAR,SYNCHRO	PSO140-9A,10A,PSO125
S-D448	201-465-5	1677092C1	SYNCHRO HUB	ASO, PSO100-10S,VPD, PSO125,140,150,160-10S
S-F260	201-466-2	1668505C1	COLLAR	ASO, PSO SERIES
S-F155	201-486-1	1677199C1	SHOE STOP	FOR SHIFT FORK
S-E982	201-563-1-1X	1668502C91	SYNCHRONIZER ASSY	10 SPEEDS-PSO140-10S
S-7103	1016-W	106312R1	SPACER, 4TH OR 5TH	5000,CM50,ES62-5
S-7104	7735X	182156R91	SYNCHRONIZER, 2ND OR 3RD	3000
S-7439	7736X	205723R91	SYNCHRONIZER, 4TH & 5TH	3000
S-4627	8072X	105924R91	SYNCHRONIZER, 2ND & 3RD	5000,CM50
S-4153	310227X	100071R1	SYNCHRONIZER, 2ND & 3RD	6000,CM60
S-7714	311450X	279040C11	COUNTERSHAFT	6000
S-7109	311623X	254591C11	INPUT SHAFT	R8341
S-5915	312475-16X	400223C91	GASKET SET	1010-2A,1062,1252,1253,1263
S-8379	312475-25X	1662893C91	GASKET SET	1241
S-3242	312475-28X	478994C92	GASKET SET	CM50,55,ES62-5
S-8818	312475-29X	496112C91	GASKET SET	ES70-5,CM60
S-5916	312475-40X	1648173C91	GASKET SET	CM49,ES42-5,ES52-5
		1662894C91		
S-B237	312475-46X	1681352C91	GASKET SET	ES52-7A,ES065-7A
S-B236	312475-47X	1693373C91	GASKET SET	ES43-5A,5D,ES53-52,5D
S-9616	312476-17X	—	BEARING & SEAL KIT	P,1241,MANUAL,AIR-MATIC
S-4649	312764X	235558R92	SYNCHRONIZER, 4TH & 5TH	5000,CM50
S-4154	312766X	100080R92	SYNCHRONIZER, 4TH & 5TH	6000,CM60,ES52-5
S-F434	313024-9X	1662907C91	SNAP RING KIT	SST10 TRANSMISSIONS
S-C453	313042	449131C91	AIR REGULATOR	PSO100-10S,125,140,150-DS, 160-10S,100VPD,ETC

NEWSTAR REPLACEMENT GEARS AND PARTS

APPLICATION: TTC TRANSMISSIONS

NEWSTAR NUMBER	TTC NUMBER	INTERNATIONAL NUMBER	DESCRIPTION	APPLICATION MODEL
S-E658	313240-3X	593913C91	SHIM KIT	CM50,60,ES60-5,ES65-5
S-7112	313401-13X	1662922C91	THRUST WASHER KIT	CM50,ES52-5
S-11974	313401-20X	—	WASHER KIT	1310,1412,1414,1420
S-9597	313432-10X	1651500C93	BEARING & SEAL KIT	CM 50,55
S-5508	313453X	593892C91	SYNCHRONIZER, 4TH & 5TH	CM55
S-5509	313459X	593891C91	SYNCHRONIZER, 2ND & 3RD	CM55
S-10288	313535X	1653039C91	SYNCHRONIZER, 4TH & 5TH	ES60-5
S-5933	313536X	1649726C91	SYNCHRONIZER, 2ND & 3RD	CM55
S-7113	313558X	1654833C1	SYNCHRONIZER, 4TH & 5TH	CM40, ES42-5,ES52-5
S-C454	313630X	1669363C91	SLAVE VALVE	PSO100-10S,125,140,150-DS, 160-10S,100VPD,ETC PS,PSO ANF LPS SERIES
S-E824	313669X	1691973C91	O-RING KIT	ES52-7A
S-10314	313680-1X	1681307C91	FORK ASSEMBLY	ES52-7A
S-10315	313681-1X	1681306C91	FORK ASSEMBLY	ES52-7A
S-10316	313683-1X	1681308C91	FORK ASSEMBLY	ES53-5A
S-10037	313723-1X	1691692C91	FORK ASSEMBLY	ES43-5A,5D,ES53-5A,5D
S-12004	313760-1X	1693044C91	FORK ASSEMBLY	ES43-5A,5D,ES53-5A,5D
S-12005	313760-2X	1693054C91	FORK AND RAIL KIT	ES43-5D,53-5D,CM4954A,D, ES52-5A,5D
S-F494	313761-1X	1693045C91	FORK ASSEMBLY	ES43-5A,5D,ES53-5A,5D
S-A423	313764X	1693051C91	SYNCHRONIZER, 2ND & 3RD	ES43-5A,5D,ES53-5A,5D
S-A422	313775X	1693052C91	SYNCHRONIZER, 4TH & 5TH	ES42-5A,5D,ES53-5A,5D
S-A421	313776X	1677672C92	SYNCHRONIZER, 2ND & 3RD	PSO150-16A,16B,PS110-7A,7B, PS140-7A,PS145-7A,ETC
S-C092	330810	456425C1	WASHER	5000,CM50
S-7114	330818	1695580C1 443610C1	WASHER, 3RD & 4TH	CM50, ES62-5
S-7115	330866	478922C1	SPACER, 1ST SPD	CM50, ES62-5
S-7116	330867	478932C1	WASHER, REVERSE	5000,CM50
S-6246	500729	—	NUT, MAINSHAFT	6000,CM60
S-7117	500898	365464C1	NUT, MAINSHAFT	ES42,43,52,53,60,62-5D, CM40,49,50,55
S-C106	501200	591219C1	NUT, MAINSHAFT	1207,1252,1253,1310,1352,1362, 1372,1412,1414,1420
S-7118	545065	591066C1	MAINSHAFT NUT	ES42,52,43,53-5A,5D/CM49
S-C100	550988	1654852C91	BEARING	ES42,52,43,53-5A,5D, ES52-7A,ES065-7A
S-C101	550989	1654853C91	BEARING	ES42,43,52,53-5A,5D, ES52-7A,ES065-7A
S-C102	550991	1654854C91	BEARING	14&15.52 PLATE
S-7440	105C-137	697924R6	CLUTCH RELEASE FORK	LONG SHAFT 10 SPLINED
S-9110	106C-939	—	10 SHAFT	5000,CM40,49,50,55
S-5910	106C-1047	—	9 1/2 SHAFT	5000,CM40,49,50,55
S-5911	106C-1094	301519R1	8 1/2 SHAFT	CM50,60
S-4221	106C-1185	229998R1	5 3/4 SHAFT	5000
S-3347	106C-1498	1662768C1	6 1/2 SHAFT	CM40,50,60,SST
S-5761	128C-20	268339C1 973582R1	BUSHING	
S-7660	274C-6	697956R1	DRIVE PIN	CM50,60-14&151/2 2-PLATE
S-9616	T158	—	BEARING & SEAL KIT	P,1241, MANUAL AIR-MATIC
S-9597	T180	1651500C93	BEARING & SEAL KIT	CM50,55
S-9611	T210	—	BEARING & SEAL KIT	CM4054D
S-B842	T221	1693487C91	BEARING & SEAL KIT	ES52-5A,5D



NEWSTAR NO.

S-E982

PRO-SHIFT SYNCHRONIZER ASSEMBLY

REPLACEMENT FOR: 201-563-1-1X
HIGH AND LOW SHIFT FOR 10-SPEED TRANSMISSIONS

MADE IN USA

LATEST ADDITIONS TO OUR CATALOG

ALL PARTS SUPPLIED ARE S&S/NEWSTAR. USE OF OTHER MANUFACTURERS' NAMES, PART NUMBERS, OR TRADEMARKS ARE FOR INFORMATIONAL AND IDENTIFICATION PURPOSES ONLY. PRICES ARE SUBJECT TO CHANGE OR WITHDRAWAL WITHOUT NOTICE.

REPLACEMENT TRANSMISSION BEARING, SEAL AND GASKET KITS

APPLICATION: MULTIPLE TRANSMISSIONS

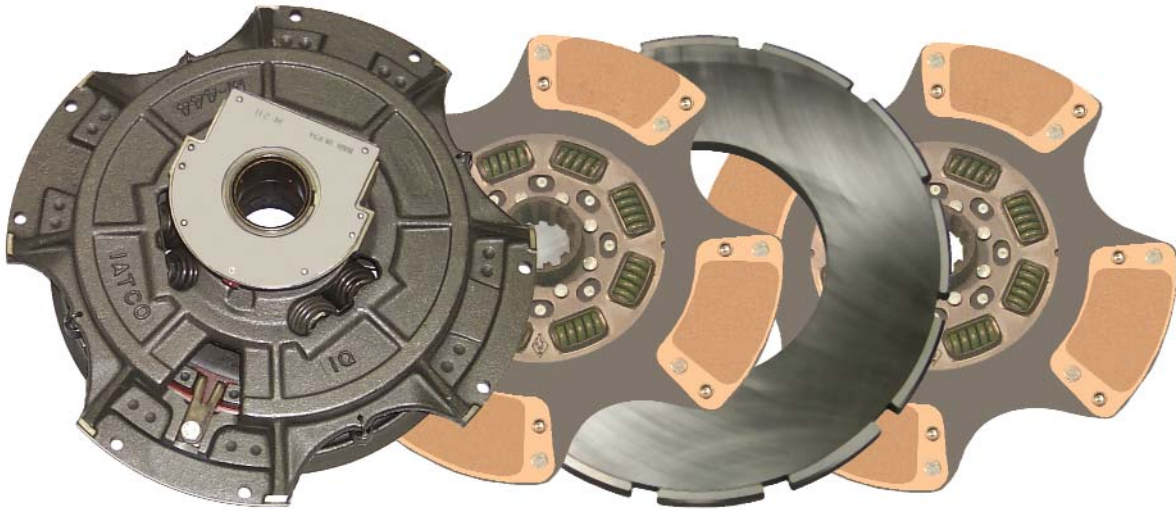


NEWSTAR NUMBER	INDUSTRY	REPLACEMENT FOR REFERENCE	DESCRIPTION
S-9219	T-5MK	---	WARNER T5 NON WORLD CLASS-MASTER KIT W/ SMALL PARTS KIT
S-9842	T23	---	CLARK 250,265
S-9747	T27	---	NEW PROCESS 540,541,542 EARLY
S-9605	T29	---	NEW PROCESS 541,542
S-9606	T29B	---	NEW PROCESS 542 FORD LATE MODELS
S-9452	T50DF	---	mitsubishi FOR D50 DODGE AND FORD BRONCO,RANGER 4X4
S-9806	T82	---	WARNER T98
S-9609	T82D	---	WARNER T18,19 NAVISTAR
S-7216	T127	326326C91	NEW PROCESS 435 FORD
S-8819	T127B	---	NEW PROCESS 435 GM
S-9614	T145A	K-1850	FULLER 610,6610
S-7197	T148	K-2127	CLARK 280,282,285
S-9613	T149AUX	---	FULLER AUX. RT,RT0,12513
S-7214	T156	281817C91	INTERNATIONAL T34,35,36,495,496
S-7195	T157	8885008	GM SM 465
S-9616	T158	312476-17X	DANA@ P,1241,MANUAL,AIR-MATIC
S-9597	T180	313432-10X	DANA@ CM 50,55
S-B905	T185	---	TR107,TRL1076,1078
S-9603	T187	208-SH-84	MACK TRXL 107,1071
S-7213	T190	K-2128	CLARK 280,282,285 VHD
S-9600	T203	K-1880, K-1973	FULLER 11608,609,613,615,12609,12610
S-9602	T205	K-1870, K-1971	FULLER 14608,609,610
S-9598	T206	K-1871, K-1972	FULLER 14613
S-9608	T207	K-1872, K-1979	FULLER 14608,615
S-9604	T208	K-2120	CLARK 450,FS 4005A,B W/ 1 1/16" OR 1 1/2" INPUT SHAFT
S-9834	T208D	K-2129	CLARK FS4005,4205 W/ 1 3/4" INPUT SHAFT
S-9611	T210	---	DANA@ CM 4054D
S-9615	T211	---	FULLER
S-13213	T214	208-SH101-A	T2060,2070,2080,2090,2100,2130,2180
S-B842	T221	313432-46X	DANA@ ES52-5A,5D
S-9820	T235	---	NEW VENTURE 3500-GETRAG-CHEVY '88-89' -1ST DESIGN
S-9822	T235B	---	NEW VENTURE 3500-GETRAG-CHEVY '91 & UP-3RD DESIGN
S-9824	T261R	---	DODGE GETRAG G360 '89-91'
S-9201	T300ZFX	---	ZF S5-42 FORD- COMPLETE W/ M.S. BRGS.
S-A871	T300ZF-1	---	ZF S5-42 FORD- W/O CAGED NEEDLE BRGS.
S-9826	T308R	---	NEW VENTURE 4500 CHEVY & DODGE W/ CAGED NEEDLE BRGS.
S-7204	T390	K-2124	CLARK 390,397,CL550,FORD
S-9884	T535	---	CHRYSLER A535
S-9596	T1000	K-1856, K-2780	FULLER 906,909,910,913,915,955,958,9508,9509,9513
S-9451	T1288F	---	MAZDA M5R2- FORD 1988-93 BRONCO,E+F150/350
S-9827	T1356R	---	WARNER I356 TRANSFER CASE
S-9450	T1488F	---	MAZDA M5R1- FORD 1988-93 AEROSTAR,BRONCO II,EXPLORER,RANGER 2.9/3.0
S-A781	T2041	K-2041	MID RANGE FS 5106, 6206
S-9053	T2043	K2043	FULLER 15715
S-D948	T2277	K-2277	FULLER 14710, 15710, 16710
S-D750	T2284	K-2284	FULLER 11715
S-11446	T2286	K2286	FULLER RTLO14713A
S-11447	T2287	K2287	FULLER RTLO16713A
S-F489	T2773	K-2773	FULER RTLO14610B,15610B,16610B,17610B,18610B
S-11448	T2865	K2865	FULLER RTLO18718B
S-11449	T2924	K2924	FULLER 9210 THRU 18210
S-12099	T3286	K-3286	FULLER 18913-T2
S-13017	T3340	K-3340	FULLER 16918, 18918, 20918
S-11450	T3343	K3343	FULLER 16913A
S-9823	T4500BK	---	NEW VENTURE 4500 GM & DODGE
S-E593	T7032	K7032	MID RANGE FS 5205, FS6306

LATEST ADDITIONS TO OUR CATALOG

ALL PARTS SUPPLIED ARE S&S/NEWSTAR. USE OF OTHER MANUFACTURERS' NAMES, PART NUMBERS, OR TRADEMARKS ARE FOR INFORMATIONAL AND IDENTIFICATION PURPOSES ONLY. PRICES ARE SUBJECT TO CHANGE OR WITHDRAWAL WITHOUT NOTICE.

NEW★STAR NEW CLUTCH ASSEMBLIES



THE MOST COMPLETE LINE OF NEW CLUTCHES FOR CLASS 6, 7, AND 8 TRUCKS AVAILABLE IN THE AFTERMARKET.

MATCHED UNIT CONFIGURATIONS TO FIT YOUR NEEDS UP TO THE HIGHEST TORQUE RATED ENGINES. ALL MAKES COVERAGE FOR NORTH AMERICAN PRODUCED CLASS 6-7-8 VEHICLES.

1 YEAR, 100,000 MILE WARRANTY.

MADE IN THE U.S.A.

NEWSTAR NEW CLUTCH ASSEMBLIES

NEWSTAR NUMBER	REPLACEMENT FOR — DANA® NUMBER	COVER ASSEMBLY NUMBER	ADJUSTMENT TYPE	BEARING TYPE	PLATE LOAD POUNDS	TORQUE RATING (ft/lbs)	CARRIER STYLE	FRICITION MATERIAL	CERAMIC CONFIG	NM OF SPRINGS	CONVENTIONAL	FREE TRAVEL	MIN. FLYWHEEL OPENING
14" X 1 3/4" CAST IRON TWO PLATE													
S-8307	107035-36	127400-1	MANUAL	GREASABLE	3200	600	ROUND	ORGANIC		R			7"
S-8308	107035-22	127400-1	MANUAL	GREASABLE	3200	800	ROUND	CERAMIC		R			7"
S-8309	107035-54	127400-1	MANUAL	GREASABLE	3200	900	ROUND	ORGANIC		8	X		7"
S-8310	107035-53	127400-1	MANUAL	GREASABLE	3200	1000	ROUND	CERAMIC	VTL	8	X		7"
S-E351	107035-82	127400-4	MANUAL	GREASABLE	3600	1100	ROUND	ORGANIC		8	X		7"
S-E352	107063-59	127400-1	MANUAL	GREASABLE	3200	1150	4-PADDLE	CERAMIC	VSR	8	X		7"
14" X 2" CAST IRON TWO PLATE													
S-8303	107034-30	127390-1	MANUAL	GREASABLE	3200	600	ROUND	ORGANIC		R			7"
S-8304	107034-19	127390-1	MANUAL	GREASABLE	3200	800	ROUND	CERAMIC	VTL	R			7"
S-8305	107034-32	127390-1	MANUAL	GREASABLE	3200	1000	ROUND	ORGANIC		8	X		7"
	107034-54B												
S-8306	107034-53	127390-1	MANUAL	GREASABLE	3200	1000	ROUND	CERAMIC	VTL	8	X		7"
S-E353	107050-59	127390-1	MANUAL	GREASABLE	3200	1400	4-PADDLE	CERAMIC	VSR	8		X	7"
S-E354	107950-59	127390-4-M	MANUAL	GREASABLE	3200	1400	4-PADDLE	CERAMIC	VSR	8		X	7"
S-E601	107034-61	127390-1	MANUAL	GREASABLE	3200	1000	3-PADDLE	CERAMIC	VSR	8	X		7"
15 1/2" X 1 3/4" CAST IRON TWO PLATE													
S-8311	107090-22	127476-1	MANUAL	GREASABLE	3200	1000	ROUND	ORGANIC		R			7"
S-8313	107090-56	127476-1	MANUAL	GREASABLE	3200	1100	ROUND	ORGANIC		8	X		7"
S-8314	107090-52	127476-1	MANUAL	GREASABLE	3200	1250	ROUND	CERAMIC	VTL	8	X		7"
15 1/2" X 2" CAST IRON TWO PLATE													
S-8315	107091-27	127597-1	MANUAL	GREASABLE	3200	1000	ROUND	ORGANIC		R			7"
S-8316	107091-3	127597-1	MANUAL	GREASABLE	3200	1100	ROUND	CERAMIC	VTL	R			7"
S-8317	107091-77	127597-4	MANUAL	GREASABLE	3600	1250	ROUND	ORGANIC		8		X	7"
S-8318	107091-52	127597-1	MANUAL	GREASABLE	3600	1150	ROUND	CERAMIC	VTL	8	X		7"
S-E355	107091-77	127597-4	MANUAL	GREASABLE	3600	1250	ROUND	ORGANIC		8		X	7"
S-E416	107391-93	127597-6	MANUAL	GREASABLE	4000	1850	6-PADDLE	CERAMIC	VSR	10	X		8.5"
S-E417	107925-82	150698-4	MANUAL	GREASABLE	3600	1700	4-PADDLE	CERAMIC	VSR	7		X	10"
S-E418	107935-82	150698-4-M	MANUAL	GREASABLE	3600	1700	4-PADDLE	CERAMIC	VSR	7		X	10"
S-E419	107935-51	150698-4-M	MANUAL	GREASABLE	3600	1650	4-PADDLE	CERAMIC	VSR	9	X		10"
S-E420	107935-82	150699-4-M	EASE-A-JUST	GREASABLE	3600	1700	4-PADDLE	CERAMIC	VSR	7		X	10"
S-E421	107935-51	150699-4-M	EASE-A-JUST	GREASABLE	3600	1650	4-PADDLE	CERAMIC	VSR	9	X		10"
S-E603	107091-81	---	MANUAL	GREASABLE	3600	1400	4-PADDLE	CERAMIC	VSR	8		X	7"
S-E606	107391-74	---	EASE-A-JUST	GREASABLE	3600	1650	4-PADDLE	CERAMIC	VSR	10	X		8.5"

- CERAMIC FRICTION MATERIAL FOR THE HEAVIEST APPLICATIONS
- OE QUALITY RAW MATERIALS AND COMPONENTS
- HEAVY DUTY DAMPER SPRINGS FOR LONGER DAMPER LIFE

LATEST ADDITIONS TO OUR CATALOG

ALL PARTS SUPPLIED ARE S&S/NEWSTAR. USE OF OTHER MANUFACTURERS' NAMES, PART NUMBERS, OR TRADEMARKS ARE FOR INFORMATIONAL AND IDENTIFICATION PURPOSES ONLY. PRICES ARE SUBJECT TO CHANGE OR WITHDRAWAL WITHOUT NOTICE.

NEWSTAR NEW CLUTCH ASSEMBLIES

NEWSTAR NUMBER	— REPLACEMENT FOR — DANA® NUMBER	— COVER ASSEMBLY NUMBER	ADJUSTMENT TYPE	BEARING TYPE	PLATE LOAD POUNDS	TORQUE RATING (ft/lbs)	CARRIER STYLE	FRICITION MATERIAL	CERAMIC CONFIG	NM OF SPRINGS	CONVENTIONAL	FREE TRAVEL	MIN. FLYWHEEL OPENING
330MM X 1 1/4" & 1 3/8" & 1 1/2"													
S-8847	107605-1	330-1928	EXTERNAL	GREASABLE	2800	400	4-PADDLE	CERAMIC	VTL	8	X		7"
S-8853	107606-1	330-1928	EXTERNAL	GREASABLE	2800	400	4-PADDLE	CERAMIC	VTL	8	X		7"
S-8868	107611-2	330-1938	EXTERNAL	GREASABLE	2400	400	ROUND	ORGANIC		8	X		7"
S-8869	107943-3	330-1938	EXTERNAL	GREASABLE	2400	400	4-PADDLE	CERAMIC	VTL	8	X		7"
S-E423	LP1937-134 MU1266	330-1937	EXTERNAL	GREASABLE	2400	400	ROUND	ORGANIC		8	X		7"
14" DLB X 1 1/2" & 1 3/4"													
S-E425	LP1047-134	14-1047	EXTERNAL	GREASABLE	3200	500	ROUND	ORGANIC		10	X		7"
S-E426	LP1067-144	14-1067	EXTERNAL	GREASABLE	2800	550	ROUND	ORGANIC		10	X		7"
S-E427	LP1072-134	14-1072	EXTERNAL	GREASABLE	2000	550	ROUND	ORGANIC		10	X		7"
S-E428	LP1686-138	14-1686	EXTERNAL	GREASABLE	2300	500	4-PADDLE	CERAMIC	VTL	10	X		7"
350MM X 1 1/2" SINGLE PLATE PUSH TYPE													
S-C372	107621-1	102048	EXTERNAL	GREASABLE	2400	500	4-PADDLE	CERAMIC	VSR	8	X		7"
S-E429	107621-7	102048	EXTERNAL	GREASABLE	2400	500	4-PADDLE	CERAMIC	VSR	8	X		7"
14" X 1 1/2" STAMPED STEEL SINGLE PLATE													
S-8295	107688-7	129710-3	EASE-A-JUST	GREASABLE	2400	520	4-PADDLE	CERAMIC	VSR	8	X		7"
14" X 1 3/4" STAMPED STEEL SINGLE PLATE													
S-8296	107113-7	127747-2	MANUAL	GREASABLE	2800	445	ROUND	CERAMIC	VSR	8	X		7"
S-8297	107113-5	127747-2	MANUAL	GREASABLE	2800	650	4-PADDLE	CERAMIC	VSR	8	X		7"
S-E432	107683-5	127747-1	MANUAL	GREASABLE	3200	650	3-PADDLE	CERAMIC	VTL	8	X		7"
S-E433	107683-16	127747-1	MANUAL	GREASABLE	3200	445	ROUND	ORGANIC		8	X		7"
S-E434	107683-5	129044-1	EASE-A-JUST	GREASABLE	3200	650	3-PADDLE	CERAMIC	VTL	8	X		7"
14" X 1 3/4" STAMPED STEEL TWO PLATE													
S-8299	107137-5	129044-2	MANUAL	GREASABLE	2800	900	3-PADDLE	CERAMIC	VSR	8	X		7"
S-8298	107137-6	129044-2	MANUAL	GREASABLE	2800	800	ROUND	ORGANIC		8	X		7"
S-C580	107237-8	129060-5	EASE-A-JUST	GREASABLE	2000	900	3-PADDLE	CERAMIC	VTL	8		X	7"
S-E430	107137-8	129044-5	MANUAL	GREASABLE	2000	900	3-PADDLE	CERAMIC	VTL	8		X	7"
S-E599	107237-16	129060-2	EASE-A-JUST	GREASABLE	2800	800	ROUND	ORGANIC		8	X		7"
14" X 2" STAMPED STEEL TWO PLATE													
S-8301	107142-3	129055-2	MANUAL	GREASABLE	2800	800	ROUND	ORGANIC		8	X		7"
S-8302	107142-2	129055-2	MANUAL	GREASABLE	2800	900	3-PADDLE	CERAMIC	VSR	8	X		7"
S-E600	107342-11	129061-5	EASE-A-JUST	GREASABLE	2000	900	3-PADDLE	CERAMIC	VTL	8		X	7"

LATEST ADDITIONS TO OUR CATALOG

ALL PARTS SUPPLIED ARE S&S/NEWSTAR. USE OF OTHER MANUFACTURERS' NAMES, PART NUMBERS, OR TRADEMARKS ARE FOR INFORMATIONAL AND IDENTIFICATION PURPOSES ONLY. PRICES ARE SUBJECT TO CHANGE OR WITHDRAWAL WITHOUT NOTICE.

NEWSTAR NEW "SOFT PEDAL" CLUTCH ASSEMBLIES

- STATE-OF-THE-ART DIAPHRAGM SPRING DESIGN
- TRADITIONAL MANUAL ADJUSTMENT
- SMOOTHER ENGAGEMENT
- NO METAL WEAR TO CAUSE INTERNAL FRICTION
- STRAP DRIVE FOR SMOOTHER TRANSFER OF ENERGY
- 30% LESS BEARING LOAD WITH PEDAL PRESSURE REDUCTION
- LESS DRIVER FATIGUE AND IMPROVED PRODUCTIVITY
- INCREASED COVER VENTILATION FOR BETTER HEAT DISSIPATION

NEWSTAR NUMBER	REPLACEMENT FOR DANA® NUMBER	REPLACEMENT FOR COVER ASSEMBLY NUMBER	ADJUSTMENT TYPE	BEARING TYPE	PLATE LOAD POUNDS	TORQUE RATING (ft./lbs)	CARRIER STYLE	FRICTION MATERIAL	CERAMIC CONFIG	NM OF SPRINGS	CONVENTIONAL	FREE TRAVEL	MIN. FLYWHEEL OPENING
14" X 1 3/4" SOFT PEDAL													
S-E437	108063-59	160051-1	MANUAL	GREASABLE	3200	1150	4-PADDLE	CERAMIC	VSR	8	X		7"
14" X 2" SOFT PEDAL													
S-D575	108034-61	160051-1	MANUAL	GREASABLE	3200	1150	3-PADDLE	CERAMIC	VSR	8	X		7"
S-D574	108050-59	160051-1	MANUAL	GREASABLE	3200	1400	4-PADDLE	CERAMIC	VSR	8		X	7"
S-E439	108950-59	160051-1-M	MANUAL	GREASABLE	3200	1400	4-PADDLE	CERAMIC	VSR	8		X	7"
15 1/2" X 2" SOFT PEDAL													
S-E440	108391-82	152705-6	MANUAL	GREASABLE	4000	1350	ROUND	ORGANIC		8		X	7"
S-C308	108391-78B	152705-6	MANUAL	GREASABLE	4000	1400	ROUND	ORGANIC		10	X		8.5"
S-C309	108391-81B	152705-4	MANUAL	GREASABLE	3600	1450	4-PADDLE	CERAMIC	VSR	8		X	7"
S-C310	108391-74B	152705-4	MANUAL	GREASABLE	3600	1650	4-PADDLE	CERAMIC	VSR	10	X		8.5"
S-E441	108391-93B	152705-6	MANUAL	GREASABLE	4000	1850	6-PADDLE	CERAMIC	VSR	10	X		8.5"
S-C311	108925-82B	151455-4	MANUAL	GREASABLE	3600	1700	4-PADDLE	CERAMIC	VSR	7		X	10"
S-E442	108935-51	151455-4-M	MANUAL	GREASABLE	3600	1650	4-PADDLE	CERAMIC	VSR	9	X		10"
S-C697	108935-91	151455-4-M	MANUAL	GREASABLE	3600	1700	6-PADDLE	CERAMIC	VSR	9	X		10"
S-E443	108935-94	151455-6-M	MANUAL	GREASABLE	4000	1850	6-PADDLE	CERAMIC	VSR	9	X		10"

NEW★STAR CLUTCH ALIGNMENT TOOLS

NOW OFFERING TOOLS
TO HELP ELIMINATE IMPROPER CLUTCH ALIGNMENT



MADE IN THE U.S.A.

NEW★STAR CLUTCH ALIGNMENT TOOLS ALLOW DISC SPLINES TO BE EASILY ALIGNED TO THE PILOT BEARING.

THE SHAPE OF THE CLUTCH ALIGNMENT TOOLS FOLLOW THE PROFILE OF THE ACTUAL INPUT SHAFT.

DUE TO A SPECIALLY MOLDED PLASTIC MATERIAL, CLUTCH ALIGNMENT TOOLS CAN BE USED OVER AND OVER AGAIN.

NEW★STAR NUMBER	DESCRIPTION
S-E342	1 1/4" SPLINE X 1" PILOT
S-E343	1 3/8" SPLINE X 1" PILOT
S-E344	1 1/2" SPLINE X 1" PILOT
S-E345	1 1/2" SPLINE X 3/4" PILOT
S-E346	1 1/2" SPLINE X 1.18" PILOT
S-E347	1 3/4" SPLINE X 1" PILOT
S-E348	1 3/4" SPLINE X 1.18" PILOT
S-E349	2" SPLINE X 1.18" PILOT

NEW★STAR CLUTCH ALIGNMENT TOOLS

ENSURE CORRECT ADJUSTMENT
FOR PROPER CLUTCH OPERATION



1/8" GAUGE

CHECKS THE 1/8" CLUTCH PEDAL FREE PLAY BETWEEN THE
YOKE AND BEARING WEAR PAD

NEW★STAR NO. S-E337



1/2" GAUGE

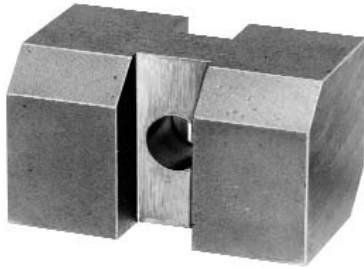
VERIFIES THE 1/2" RELEASE TRAVEL BETWEEN THE RELEASE
BEARING AND THE TRANSMISSION BEARING CAP.

NEW★STAR NO. S-E338



TOOL KIT FOR BOTH GAUGES

NEW★STAR NO. S-E339



DRIVE LUG ALIGNMENT TOOL

NEW★STAR NO. S-A362



CLUTCH ADJUSTING TOOL

ENSURE CORRECT ADJUSTMENT FOR
PROPER CLUTCH OPERATION

NEW★STAR NO. S-A356

REPLACEMENT NUMBER: 7028

DID YOU KNOW **NEW★STAR** NOW
OFFERS REPLACEMENT PTO'S TOTALLY
INTERCHANGEABLE WITH CHELSEA™ FOR MOST
POPULAR FULLER, MACK AND TTC TRANSMISSIONS

NEW★STAR HINGED CLUTCH BRAKE

REPLACE WORN OR DAMAGED CLUTCH BRAKES
WITHOUT REMOVING THE TRANSMISSION

HINGED CLUTCH BRAKE:

THE PURPOSE OF THE CLUTCH BRAKE IS TO SLOW DOWN OR STOP THE TRANSMISSION INPUT SHAFT FROM ROTATING WHEN THE CLUTCH PEDAL IS DEPRESSED.

NOW, WITH THE **NEW★STAR** HINGED CLUTCH BRAKE, YOU CAN REPLACE WORN OR DAMAGED CLUTCH BRAKES WITHOUT REMOVING THE TRANSMISSION.

THE HINGED BRAKE, WITH IT'S EASY INSTALLATION, NOT ONLY SAVES TIME AND MONEY, BUT ALSO PROVIDES EFFORTLESS ENGAGEMENT AND COOLER OPERATION.

ALL BRAKES INCLUDE REQUIRED TOOLS FOR INSTALLATION.



NEW★STAR NUMBER	HINGED CLUTCH BRAKES
S-C559	2" (0.390" THICK)
S-E340	2" (0.465" THICK)
S-E341	2" (0.500" THICK)
S-13504	1 3/4" (0.390" THICK)
S-13505	1 3/4" (0.500" THICK)

NEW★STAR CLUTCH BRAKES

SUITABLE FOR 14" and 15 1/2" 2 PLATE CLUTCH ASSEMBLIES



1 3/4" TORQUE LIMITING BRAKE

NEW★STAR NO. S-B038

REPLACEMENT FOR
DANA® NUMBER: 127740

2" TORQUE LIMITING BRAKE

NEW★STAR NO. S-B039

REPLACEMENT FOR
DANA® NUMBER: 127760



1 3/4" NON-TORQUE LIMITING BRAKE

NEW★STAR NO. S-8801

REPLACEMENT FOR
DANA® NUMBER: 127740X

2" NON-TORQUE LIMITING BRAKE

NEW★STAR NO. S-8802

REPLACEMENT FOR
DANA® NUMBER: 127760X



BELL HOUSING COVER

NEW★STAR NO. S-13196

REPLACEMENT FOR
FULLER NUMBER: **4305230**

INCLUDES COVER, PLUG, MOUNTING
SCREWS AND WASHERS
PREVENTS CONTAMINATION INTO THE
CLUTCH BELL HOUSING

NEW★STAR CLUTCH PARTS

SLEEVE AND BEARING ASSEMBLIES

SLEEVE AND BEARING ASSEMBLY

FREIGHTLINER APPLICATION

SUITABLE FOR USE DANA® PART NUMBER: 107621-7

NEW★STAR NO. S-D802

REPLACEMENT FOR FREIGHTLINER NUMBER:
187140 / SP187140



SLEEVE AND BEARING ASSEMBLY

INTERNATIONAL TRUCK APPLICATION

SUITABLE FOR USE DANA® PART NUMBER: 107621-1

NEW★STAR NO. S-9208

REPLACEMENT FOR INTERNATIONAL TRUCK NUMBER:
572107C91



SLEEVE AND BEARING ASSEMBLY

MACK MIDLINER APPLICATION

SUITABLE FOR USE DANA® PART NUMBER: 107350-4

NEW★STAR NO. S-D801

REPLACEMENT FOR MACK NUMBER:
187144 / 2104-187144



NEWSTAR CLUTCH PARTS

SUITABLE FOR 14" and 15 1/2" 2 PLATE CLUTCH ASSEMBLIES



NEWSTAR NUMBER	REPLACEMENT FOR DANA® NUMBER	DESCRIPTION	BORE	O.D.	WIDTH
S-7440	105C-137	FORK			
S-9110	106C-939	RELEASE SHAFT 10"			
S-5910	106C-1047	RELEASE SHAFT 9 1/2"			
S-5911	106C-1094	RELEASE SHAFT 8 1/2"			
S-4221	106C-1185	RELEASE SHAFT 5 3/4"			
S-3347	106C-1498	RELEASE SHAFT 6 1/2"			
S-7660	274C-6	DRIVE PIN			
S-5504	6205-2RS	PILOT BEARING	0.9843	2.047	0.5906
S-10463	6206-2RS	PILOT BEARING	1.1811	2.4409	0.6299
S-11672	6305-2RS	PILOT BEARING	0.9843	2.4409	0.6693
S-5940	6306-2RS	PILOT BEARING	1.1811	2.8346	0.748
S-A357	127859	2"- 2 PLATE SLEEVE WITH BEARING			
S-A358	127860	1 3/4"- 2 PLATE SLEEVE WITH BEARING			
S-A405	127889	1 3/4"- 1 PLATE SLEEVE WITH BEARING			
S-A359	127389	1 3/4"- 2 PLATE SLEEVE			
S-A360	127393	2"- 2 PLATE SLEEVE			
S-A361	127857	1 3/4"- 1 PLATE SLEEVE			

LATEST ADDITIONS TO OUR CATALOG

ALL PARTS SUPPLIED ARE S&S/NEWSTAR. USE OF OTHER MANUFACTURERS' NAMES, PART NUMBERS, OR TRADEMARKS ARE FOR INFORMATIONAL AND IDENTIFICATION PURPOSES ONLY. PRICES ARE SUBJECT TO CHANGE OR WITHDRAWAL WITHOUT NOTICE.

NEWSTAR REPLACEMENT FLYWHEEL

APPLICATION: INTERNATIONAL AND MACK TRUCKS



NEWSTAR NUMBER	REPLACEMENT FOR PART NUMBER	ENGINE MODEL
S-3239	681905C93	DT 466 13" & 14" CLUTCH
S-A856	1809144C91	7.3 LITER ENGINES
S-A608	1810855C93	DT 466 14" CLUTCH ONLY
S-10006	1818214C91	7.3 LITER ENGINES / 444E
S-10005	1821915C91	DT 466E
S-10010	530-GB-3142	675 / 676

NEWSTAR REPLACEMENT CLUTCH HOUSING BRACKET PARTS

APPLICATION: MACK



NEWSTAR NUMBER	REPLACEMENT FOR MACK NUMBER	DESCRIPTION	REPLACEMENT FOR PAI NUMBER
S-D517	1-AX-127	BOLT, CLUTCH HOUSING	9597
S-8408	1-AX-503	BOLT	4601
S-7622	21-AX-440	NUT	4605
S-8410	15-QD-1132	WASHER	4595
S-8056	20-QL-1118-A	INSULATOR	4670
S-8750	36-RU-171	LUBE HOSE 15" LONG	4159
S-9711	36-RU-171-KIT	LUBE HOSE KIT	—
S-8473	204-SX-216	INSULATOR KIT	4603
S-D521	204-SX-389	INSULATOR KIT	5069

NEWSTAR REPLACEMENT RING GEAR and PINION SETS

APPLICATION: ARVIN MERITOR AXLES



NEWSTAR NUMBER	REPLACEMENT FOR PART NUMBER	DESCRIPTION	APPLICATION - MODEL
S-A117	A-34712	GEAR SET 5.14	53589
S-7291	A-35136-12	GEAR SET RR 5.29	SEE A-40674-1
S-13008	A-35136-18	GEAR SET RR 5.29	SHR (DIRONA)
S-9092	A-35156-8	GEAR SET RR 6.17	SEE A-40678-1
S-9092	A-35156-9	GEAR SET RR 6.17	SEE A-40678-1
S-D601	A-35166-9	GEAR SET RR 7.40	SEE A-40682-1
S-6890	A-35178-5	GEAR SET RR 4.11	SHR, R155
S-6891	A-35178-10	GEAR SET RR 4.11	SEE A-40536-1
S-6893	A-35208-10	GEAR SET RR 4.63	SEE A-40544-1
S-7294	A-35376-6	GEAR SET	SFD-4640,FWD & RR 6.58,8.07-9.02-10.16-11.56
S-7295	A-35536-6	GEAR SET 7.20	F106,147
S-6895	A-35538-10	GEAR SET 6.80	F106,147
S-6896	A-35540-5	GEAR SET 6.20	F106,147
S-6897	A-35590-12	GEAR SET RR 6.17	H-140
S-6898	A-35634-6	GEAR SET RR 7.80	D100,140
S-7296	A-35636-6	GEAR SET 7.80	F106,147
S-6899	A-35710-3	GEAR SET 5.29	F106
S-7589	A-35804-19	GEAR SET RR 7.20	SQHD
S-2172	A-35808-19	GEAR SET RR 6.17	SQHD
S-7305	A-35808-22	GEAR SET FWD 6.17	SQHD
S-7306	A-35808-23	GEAR SET FWD 6.17	SQHD
S-7311	A-35812-17	GEAR SET FWD 5.29	SEE A-35812-20
S-7312	A-35812-18	GEAR SET RR 5.29	SQHD
S-7313	A-35812-20	GEAR SET FWD 5.29	SQHD
S-7314	A-35812-21	GEAR SET FWD 5.29	SQHD
S-7315	A-35814-13	GEAR SET FWD 4.63	SEE A-35814-16
S-7317	A-35814-16	GEAR SET FWD 4.63	SQHD
S-7318	A-35814-17	GEAR SET FWD 4.63	SQHD
S-7319	A-35816-16	GEAR SET FWD 4.44	SEE A-35816-19
S-7320	A-35816-17	GEAR SET RR 4.44	SQHD
S-7321	A-35816-19	GEAR SET FWD 4.44	SQHD
S-7322	A-35816-20	GEAR SET FWD 4.44	SQHD
S-7323	A-35818-19	GEAR SET FWD 4.11	SEE A-35818-23
S-7324	A-35818-20	GEAR SET RR 4.11	SQHD
S-7325	A-35818-23	GEAR SET FWD 4.11	SQHD
S-7326	A-35818-24	GEAR SET FWD 4.11	SQHD
S-7327	A-35838-6	GEAR SET FWD 4.11	SEE A-40164-1
S-6901	A-35910-5	GEAR SET FWD 4.63	SEE A-40172-1
S-6902	A-35912-5	GEAR SET FWD 5.29	SEE A-40178-1
S-13409	A-35912-15	GEAR SET FWD 5.29	SSHD (DIRONA)
S-6903	A-35916-2	GEAR SET FWD 6.17	SEE A-40182-1
S-3708	A-35954	GEAR SET 3.70	R-170
S-6904	A-35958-1	GEAR SET 6.50	H162,L145
S-6904	A-35958-3	GEAR SET 6.50	H162,L145
S-2313	A-36028-18	GEAR SET RR 3.55	SQHD
S-A250	A-36036	GEAR SET 5.29	R-170
S-13024	A-36054	GEAR SET 5.86	R170
S-8287	A-36100	GEAR SET 7.40	R-170
S-13254	A-36162-1	GEAR SET 5.83	F SERIES
S-7328	A-36446-13	GEAR SET RR 4.88	SQHD
S-7330	A-36446-16	GEAR SET FWD 4.88	SQHD
S-6905	A-36684-3	GEAR SET FWD 4.88	SEE A-40176-1
S-7331	A-36722-9	GEAR SET FWD 4.33	SEE A-36722-12

LATEST ADDITIONS TO OUR CATALOG

ALL PARTS SUPPLIED ARE S&S/NEWSTAR. USE OF OTHER MANUFACTURERS' NAMES, PART NUMBERS, OR TRADEMARKS ARE FOR INFORMATIONAL AND IDENTIFICATION PURPOSES ONLY. PRICES ARE SUBJECT TO CHANGE OR WITHDRAWAL WITHOUT NOTICE.

NEWSTAR REPLACEMENT RING GEAR and PINION SETS

APPLICATION: ARVIN MERITOR AXLES

NEWSTAR NUMBER	REPLACEMENT FOR PART NUMBER	DESCRIPTION	APPLICATION - MODEL
S-7333	A-36722-12	GEAR SET FWD 4.33	SQHD
S-3524	A-36722-13	GEAR SET FWD 4.33	SQHD
S-A948	A-36736	GEAR SET 7.20	13168/HYSTER
S-C387	A-36950-3	GEAR SET 7.17	H-170
S-9805	A-37090-1	GEAR SET FWD 6.80	F051600
S-9305	A-37164	GEAR SET FWD 4.33	SEE A-40170-1
S-5382	A-37278-2	GEAR SET FWD 3.55	SQHP,SQ100
S-7590	A-37326-1	GEAR SET RR 3.55	LR,QR100
S-8518	A-37376-1	GEAR SET RR 5.29	QR-100
S-9633	A-37382-1	GEAR SET RR 4.33	LR100/QR100
S-8665	A-37392-1	GEAR SET RR 4.88	LR100/QR100
S-6906	A-37396-2	GEAR SET FWD 5.29	SQHP,QD100
S-8654	A-37398-1	GEAR SET FWD 4.88	SQ100/SQHP
S-6907	A-37404-1	GEAR SET FWD 4.33	SQHP,QD100
S-7304	A-37494-2	GEAR SET FWD 4.11	SEE A-38836-1
S-4457	A-37528-3	GEAR SET RR 4.11	QAR
S-6908	A-37530-2	GEAR SET FWD 4.44	SQHP,QD100
S-6910	A-37534-3	GEAR SET RR 4.63	QAR
S-6911	A-37536-3	GEAR SET RR 5.29	QAR
S-6912	A-37540-2	GEAR SET FWD 4.63	QHP,QD100
S-9634	A-37566-1	GEAR SET RR 4.63	LR100/QR100
S-7334	A-37588-9	GEAR SET FWD 3.70	SEE A-37588-12
S-7335	A-37588-10	GEAR SET RR 3.70	SQHD
S-6915	A-37588-12	GEAR SET FWD 3.70	SQHD
S-7336	A-37588-13	GEAR SET FWD 3.70	SQHD
S-7337	A-37596-2	GEAR SET FWD 3.70	SQHP
S-7338	A-37598-3	GEAR SET RR 3.70	SQHP
S-8358	A-37890-2	GEAR SET FWD 3.90	SEE A-40162-1
S-7718	A-38002-1	GEAR SET FWD 3.90	SQHP,SQ100
S-7462	A-38006-1	GEAR SET FWD 3.90	SEE A-38006-9
S-4490	A-38006-3	GEAR SET RR 3.90	SQHD
S-6916	A-38006-9	GEAR SET FWD 3.90	LHD/QHD
S-7339	A-38006-10	GEAR SET FWD 3.90	SQHD
S-A208	A-38512-1	GEAR SET RR 3.70	LR100/QR100
S-8226	A-38520-1	GEAR SET RR 3.90	LR100,QR100
S-7340	A-38586-5	GEAR SET RR 3.73	SEE A-40504-5
S-9844	A-38730-1	GEAR SET RR 4.10	LR,QR100
S-13029	A-38774-4	GEAR SET FWD 4.10	RS-13-210,15-120-125
S-6891	A-38806-1	GEAR SET RR 4.10	SEE A-40536-1
S-7327	A-38808-1	GEAR SET FWD 4.10	SEE A-40164-1
S-7304	A-38836-1	GEAR SET FWD 4.11	SQ100,SQHP
S-7913	A-39004-1	GEAR SET RR 5.38	SEE A-40088-1
S-7914	A-39016-1	GEAR SET FWD 5.38	SEE A-40046-1
S-8227	A-39166-1	GEAR SET RR 3.73	QAR
S-7591	A-39168-1	GEAR SET RR 3.73	LR,QR100
S-7588	A-39170-1	GEAR SET FWD 3.73	SQHP,SQ100
S-8521	A-39424-1	GEAR SET RR 3.42	LR-QR-100
S-9632	A-39446-1	GEAR SET FWD 3.42	QD100,SQ100,QHP
S-8439	A-39496-3	GEAR SET FWD 7.17	RS-13-120,RS-15-120
S-13172	A-39660-1	GEAR SET FWD 3.58	RD, RP-23-160
S-C405	A-39664-1	GEAR SET FWD 4.89	RD, RP-23-160
S-11665	A-39666-1	GEAR SET FWD 5.38	RD, RP-23-160
S-C049	A-39880-1	GEAR SET FWD 4.30	RD, RP-23-160
S-C050	A-39882-1	GEAR SET FWD 4.56	RD, RP-23-160
S-A818	A-39888-5	GEAR SET RR 4.30	RR,RS-23-160,RT-46-160
S-A819	A-39890-5	GEAR SET RR 4.56	RR,RS-23-160,RT-46-160
S-13168	A-39904-5	GEAR SET RR 3.58	RR, RS-23-160
S-C508	A-40024-1	GEAR SET RR 4.89	RR-RS-23-160
S-9448	A-40036-1	GEAR SET FWD 4.56	R164-SSHD
S-7914	A-40046-1	GEAR SET FWD 5.38	SHD,THD,UHD
S-9449	A-40074-1	GEAR SET RR 4.56	SHR,R155
S-7913	A-40088-1	GEAR SET RR 5.38	SHR,R155
S-11470	A-40104-5	GEAR SET RR 5.38	RR-RS-23-160

LATEST ADDITIONS TO OUR CATALOG

ALL PARTS SUPPLIED ARE S&S/NEWSTAR. USE OF OTHER MANUFACTURERS' NAMES, PART NUMBERS, OR TRADEMARKS ARE FOR INFORMATIONAL AND IDENTIFICATION PURPOSES ONLY. PRICES ARE SUBJECT TO CHANGE OR WITHDRAWAL WITHOUT NOTICE.

NEWSTAR REPLACEMENT RING GEAR and PINION SETS

APPLICATION: ARVIN MERITOR AXLES

NEWSTAR NUMBER	REPLACEMENT FOR PART NUMBER	DESCRIPTION	APPLICATION - MODEL
S-10105	A-40106-1	GEAR SET RR 5.63	RR,RS-23-160
S-8358	A-40162-1	GEAR SET FWD 3.90	SSHD
S-7327	A-40164-1	GEAR SET FWD 4.11	SSHD
S-9305	A-40170-1	GEAR SET FWD 4.33	SSHD
S-6901	A-40172-1	GEAR SET FWD 4.63	SSHD
S-A176	A-40176-1	GEAR SET FWD 4.88	SHD,THD,UHD
S-6902	A-40178-1	GEAR SET FWD 5.29	SSHD
S-A621	A-40180-1	GEAR SET FWD 5.57	SHD,THD,UHD
S-6903	A-40182-1	GEAR SET FWD 6.17	SSHD
S-A804	A-40306-1	GEAR SET FWD 6.83	SHD,THD,UHD
S-7566	A-40504-1	GEAR SET RR 3.73	SHR,R155
S-7340	A-40504-5	GEAR SET RR 3.73	R140,143
S-9426	A-40534-1	GEAR SET RR 3.90	SHR,R155
S-6891	A-40536-1	GEAR SET RR 4.11	SHR
S-9621	A-40542-1	GEAR SET RR 4.33	SHR,R155
S-A175	A-40544-1	GEAR SET RR 4.63	SHR,R155
S-A839	A-40674-1	GEAR SET RR 5.29	SHR,R155
S-9092	A-40678-1	GEAR SET RR 6.17	R155,R140,SHR,UHR
S-A509	A-40680-1	GEAR SET RR 6.83	SHR,R155
S-D601	A-40682-1	GEAR SET RR 7.40	SHR,R155
S-7293	A-40682-5	GEAR SET RR 7.40	SHR,R155
S-A328	A-40686-1	GEAR SET RR 3.33	SHR,R155
S-13286	A-41104-1	GEAR SET FWD 2.93	RD-RP-20-145
S-11809	A-41272-1	GEAR SET FWD 5.13	RS-21-145
S-13097	A-41458-1	GEAR SET RR 6.14	RR-20-145,RS-21-145
S-11835	A-41460-1	GEAR SET RR 6.43	RR-20-145,RS-21-145
S-D798	A-41462-1	GEAR SET RR 6.83	RR-20-145,RS-21-145
S-12045	A-41470-1	GEAR SET FWD 6.43	RD, RP-20-145, 22-145
S-D799	A-41472-1	GEAR SET FWD 6.83	RD, RP-20-145, 22-145
S-F182	A-41586-1	GEAR SET 3.36	SHR,R155
S-13232	A-41676-1	GEAR SET FWD 2.79	RD,RP-20-145
S-A949	B-41678-1	GEAR SET FWD 3.90	RD,RP-22-145,20-145,RT-40-145
S-11573	B-41008-3	GEAR SET RR 4.56	RR, RS180
S-A601	B-41016-4	GEAR SET RR 3.73	RR-28-160
S-D554	B-41164-1	GEAR SET RR 3.42	RR-20-145,RS-21-145
S-E786	B-41498-1	GEAR SET RR 3.58	RR-20-145,RS-21-145
S-8815	B-41278-1	GEAR SET FWD 4.33	RD,RP-20-145,RD,RP-22-145
S-D425	B-41280-1	GEAR SET FWD 4.63	RD-22-145
S-B453	B-41282-1	GEAR SET FWD 4.88	RD-RP-22-145
S-C187	B-41284-1	GEAR SET FWD 5.29	RD-RP-22-145
S-E786	B-41498-1	GEAR SET RR 3.58	RR-22-415
S-9377	B-41504-1	GEAR SET RR 4.10	RT-40-145,RR-20-145,RS-21-145
S-B454	B-41512-1	GEAR SET FWD 3.58	RD-RP-22-145
S-C188	B-41514-1	GEAR SET FWD 3.73	RD-RP-22-145
S-C437	B-41532-1	GEAR SET RR 3.58	RR-22-145
S-C438	B-41534-1	GEAR SET RR 3.73	RR-22-145
S-9377	B-41538-1	GEAR SET RR 4.11	RR-22-145,RR,RS-20-145
S-9180	B-41540-1	GEAR SET RR 4.33	RR-22-145,RR-20-145,RS-21-145,RT-40-145
S-9376	B-41542-1	GEAR SET RR 4.56	RR-20-145,RT-40-145,RS-21-145
S-C182	B-41544-1	GEAR SET RR 4.88	RR-22-145,20-145,21-145,40-145
S-C368	B-41548-1	GEAR SET RR 5.29	RR-22-145
S-11533	B-41552-1	GEAR SET RR 5.86	RR-22-145
S-11915	B-41554-1	GEAR SET RR 6.14	RR-22-145
S-9392	B-41562-1	GEAR SET FWD 4.56	RD,RP-22-145
S-A950	B-41680-1	GEAR SET FWD 4.11	RD,RP-22-145,20-145,RT-40-145
S-A951	B-41684-1	GEAR SET RR 3.90	RR-22-145
S-9377	B-41686-1	GEAR SET RR 4.11	RR-22-145,RR-RS-20-145

LATEST ADDITIONS TO OUR CATALOG

ALL PARTS SUPPLIED ARE S&S/NEWSTAR. USE OF OTHER MANUFACTURERS' NAMES, PART NUMBERS, OR TRADEMARKS ARE FOR INFORMATIONAL AND IDENTIFICATION PURPOSES ONLY. PRICES ARE SUBJECT TO CHANGE OR WITHDRAWAL WITHOUT NOTICE.

NEWSTAR REPLACEMENT GEARS and PARTS

APPLICATION: ARVIN MERITOR AXLES

NEWSTAR NUMBER	REPLACEMENT FOR PART NUMBER	DESCRIPTION	APPLICATION - MODEL
S-8171	NL-110-1	NUT	SQHD,SLHD,SQHP,SL,SQ100
S-6931	S-249	2 PC GEAR KIT	SLHD,SQHD,FIN LOTS OF 10 OR MORE
S-D535	5-X-591	O-RING	SSHD,STHD,SUHD
S-A322	5-X-1034	O-RING	RT-34-145,40-140,40-145P,44-145,46-140, 46-160,52-160
S-A212	40-X-1145	METRIC NUT	RT-34-145,40-140,40-145,46-160
S-F216	40-X-1150	METRIC NUT	RR-20-145,22-145,RS-17-140,21-145,RS-23-160
S-A973	40-X-1233	METRIC NUT	RT-46-160,52-160,RS-23-160,161,26-160
S-A971	40-X-1236	METRIC NUT	RS-16-140,17-140
S-A213	40-X-1237	METRIC NUT	RD-20-145,RT-40-145
S-D555	41-X-1327	METRIC BOLT, MAIN CASE	RS-21-145,RT-34-145,40-145,44-145
S-6951	315	GEAR KIT	SLHD
S-6952	316	GEAR KIT	SQHD
S-6953	317	GEAR KIT	SLHD
S-6954	318	GEAR KIT	SQHD
S-7341	322	GEAR KIT	SLHD,SQHD
S-6955	325	GEAR KIT	SQHP,SQ100,P
S-6956	326	GEAR KIT	SQHP,SQ100,P
S-7694	327	GEAR KIT	SSHD,STHD,SUHD
S-7696	339	GEAR KIT	D,F MODELS
S-7695	347	GEAR KIT	SSHD,STHD,SUHD
S-7693	348	GEAR KIT	SSHD,STDD,STHD,SUHD
S-6932	S-349	3 PC GEAR KIT	SLHD,SQHD,F
S-6957	383	GEAR KIT	SSHD,R170,STDD,STHD,SUHD
S-7679	MPS-488	GEAR KIT	G-742,2 1/2 TON
S-7698	KIT-533	GASKET MAKER KIT	SILICONE BLACK
S-3130	570	BOLT KIT	SQHD,SLHD,SQHP,SL,S,Q100
S-4616	947	BOLT KIT	F SERIES,D100/DHR,FDS1600,H140,HHR,JHR
S-5291	948	BOLT KIT	SSHD
S-5416	A-1199-P-1394	BREATHER	MULTIPLE APPLICATIONS
S-D489	1199-Z-1430	RETAINER	SHR
S-6958	1199-R-2176	PIN QTY PKG 100	SSHD,SLHD,SQHD,SQHP,SQ100
S-6959	1199-M-2457	PIN QTY PKG 100	SSHD
S-6960	1199-T-3842	GASKET MAKER	BLACK SILICONE
S-7199	A-1205-L-714	OIL SEAL	SLHD,SQHD
S-5173	A-1205-E-1227	OIL SEAL	SQHP,SQ100
S-7208	A-1205-N-1496	OIL SEAL	SW170,270,F
S-4710	A-1205-K-1779	OIL SEAL	SQHD,SSHD
S-5233	A-1205-W-1895	I/S TRIPLE LIP SEAL	SEE A-1205-P-2590
S-5738	A-1205-X-1896	T/S TRIPLE LIP SEAL	SEE A-1205-G-2425
S-5234	A-1205-Y-1897	P/S TRIPLE LIP SEAL	SL,SQ100,SQHP,RR
S-E014	A-1205-P-1914	OIL SEAL	SHR
S-9222	A-1205-D-1928	OIL SEAL	RS 13120,15120,H172, RS 16140,17140, 15210, RS17220,21230
S-E848	A-1205-A-1925	OIL SEAL	SSHD
S-A630	A-1205-F-2424	OIL SEAL	SEE A1205P2590
S-A720	A-1205-G-2425	OIL SEAL	NEW STYLE FOR A-1205-X-1896
S-B435	A-1205-N-2588	OIL SEAL	SL,SQ100,SQHP,RR
S-A630	A-1205-P-2590	OIL SEAL	NEW STYLE FOR A-1205-W-1895
S-A941	A-1205-Q-2591	OIL SEAL	RS-23-160/A,25-160/A,RT-40-160/A/P, 46-160/A/P,50-150,ETC
S-A942	A-1205-R-2592	OIL SEAL	RT-34-145/P,40-145/A/P,RT-44-145/P
S-2676	1227-N-898	NUT	SLHD,SQHD,SQHP,SQ100,F
S-6961	1227-Q-901	NUT	SQHP,SQ100,F
S-5483	1227-R-902	NUT	SQHP,SQ100
S-7342	1227-Z-936	NUT	SLHD,SQHD
S-7343	1227-A-937	NUT	SLHD,SQHD,SSHD,F
S-6962	1227-C-939	NUT	F-106

NEWSTAR REPLACEMENT GEARS and PARTS

APPLICATION: ARVIN MERITOR AXLES

NEWSTAR NUMBER	REPLACEMENT FOR PART NUMBER	DESCRIPTION	APPLICATION - MODEL
S-3929	1227-D-940	NUT	SLHD,SQHD,SSHD,F
S-7344	1227-J-946	NUT	SLHD,SQHD,SSHD
S-12036	1227-P-1056	NUT, SENSOR SWITCH	ALL WORLD AXLES W/ DIFF LOCK
S-3150	1229-D-992	WASHER QTY PKG 20	SSHD,R170
S-7345	1229-E-993	WASHER	SSHD,R170
S-A800	1229-L-1026	WASHER	STDD,SUDD,H170,RS-16-140,17-140,17-220
S-2304	1229-R-1032	WASHER QTY PKG 50	SQHD,SQHP,SQ100
S-7346	1229-T-1034	WASHER	SQHD,SQHP,SQ100
S-7347	1229-U-1061	WASHER QTY PKG 25	SLHD,SQHD,F
S-D478	1229-U-1113	SNAP RING	SSHD,SHR,R140,155
S-5413	1229-N-1470	SNAP RING	SLHD,SQHD,F
S-5531	1229-T-1606	WASHER QTY PKG 25	SSHD
S-2308	1229-G-1619	WASHER	SLHD,SQHD,F
S-7349	1229-J-1622	WASHER	SLHD,SQHD,F
S-7350	1229-N-1730	WASHER	SLHD,SQHD,SQHP,SQ100
S-A319	1229-T-1736	WASHER	RT-40-145,RD-40-145
S-A801	1229-H-2062	WASHER	SRDD,STDD,SUDD,SFDD4640,H170
S-10367	1229-L-2742	THRUST WASHER	180 AND 380
S-7351	1229-H-2764	WASHER	SL,SQ100,F,SQHP,F
S-8153	1229-M-2769	WASHER	SSHD
S-2308	1229-W-2857	WASHER	SEE 1229-G-1619
S-3055	1229-Q-2877	WASHER QTY PACK 25	SEE 1229-U-1061
S-C126	1229-Q-2929	WASHER	RD, RP-23-160, 23-164, 26-160
S-C127	1229-K-3001	WASHER	RS-23-160
S-C128	1229-L-3002	WASHER	RS-23-160
S-9783	1229-Y-3015	WASHER	RS-17-140,21-145,RT-34-145,40-145,44-145
S-5531	1229-Z-3094	WASHER	SEE 1229-T-1606
S-8017	1229-M-4069	WASHER	SQHP,LATE STYLE
S-A108	1229-P-4072	WASHER	SEE 1229D4788
S-A109	1229-K-4457	WASHER	RS-13-120,15-120
S-A972	1229-W-4521	WASHER	RT-46-160,52-160,RS-23-160,161,26-120
S-9783	1229-X-4522	WASHER	RS-21-145,17-140,RT-34-145,40-145,44-145
S-9782	1229-V-4624	WASHER	RS-21-145,RT-40140,40-145,44-145,34-145, RS-16-141,17-141,14-141
S-B930	1229-A-4785	WASHER	SEE 1229-D-4788
S-E080	1229-D-4788	WASHER	REPLACES 1229-A-4785 MODEL RT-40-145
S-4095	1244-X-726	SPACER	SLHD,SQHD,F
S-5753	1250-E-473	MAGNETIC PLUG	MULTIPLE APPLICATIONS
S-4728	A-1805-B-80	OIL SEAL	SLHD,SQHD
S-F307	A-1805-F-162	OIL SEAL	R170, SSHD
S-4710	A-1805-D-212	OIL SEAL	SQHD,SSHD
S-F179	SG1825	PINION DRIVE GEAR	10 SPLINE- USE W/RR-RR SLHD, SQHD
S-2327	MPS-1842	SHAFT KIT	SLHD,SQHD,F
S-9570	KIT-1912	BEARING & SEAL KIT	SQHP,SL,SQ100
S-9582	KIT-1913	BEARING & SEAL KIT	SLHD,SQHD
S-9705	KIT-1915	BEARING & SEAL KIT	LHR,QHR
S-9779	KIT-1916	BEARING & SEAL KIT	LHR,QHR
S-9562	KIT-1922	BEARING & SEAL KIT	SHR,R SERIES,PR SERIES
S-9561	KIT-1923	BEARING & SEAL KIT	SSHD
S-9557	KIT-1924	BEARING & SEAL KIT	R170,SW170
S-2013	MPS-1942	SHAFT KIT	SHF
S-9568	KIT-1976	BEARING & SEAL KIT	SQHD W/ 2"-39 SPLINE
S-6924	KIT-2117	KIT	SLHD,SQHD,F
S-E360	2203-A-469	SHIM .005	R170, SHR
S-F189	2203-F-2788	SHIM .003	RD, RP-17-145, 20-145, SSHD
S-F190	2203-G-2789	SHIM .005	RD, RP-17-145, 20-145
S-F191	2203-H-2790	SHIM .010	RD, RP-17-145, 20-145
S-5772	2203-R-3008	SHIM QTY PACK 20	SLHD,SQHD,F
S-5773	2203-S-3009	SHIM QTY PACK 20	SLHD,SQHD,F

LATEST ADDITIONS TO OUR CATALOG

ALL PARTS SUPPLIED ARE S&S/NEWSTAR. USE OF OTHER MANUFACTURERS' NAMES, PART NUMBERS, OR TRADEMARKS ARE FOR INFORMATIONAL AND IDENTIFICATION PURPOSES ONLY. PRICES ARE SUBJECT TO CHANGE OR WITHDRAWAL WITHOUT NOTICE.

NEWSTAR REPLACEMENT GEARS and PARTS

APPLICATION: ARVIN MERITOR AXLES

NEWSTAR NUMBER	REPLACEMENT FOR PART NUMBER	DESCRIPTION	APPLICATION - MODEL
S-A994	2203-B-6320	SHIM .010	SQHP,SQ100
S-8945	2203-S-6519	SHIM .005 QTY PACK 10	QD,LD,QRD100,QHP,LP,QP,QRP100
S-8946	2203-T-6520	SHIM .010 QTY PACK 10	QD,LD,QRD100,QHP,LP,QP,QRP100
S-E370	2203-Q-6803	SHIM .003	SSHD
S-E371	2203-R-6804	SHIM .005	SSHD
S-E372	2203-S-6805	SHIM .010	SSHD
S-E369	2203-K-7447	SHIM .005	SL/SQHD
S-E361	2203-C-8115	SHIM .003	SL/SQ100,LR/QR100,RT-40-145
S-E368	2203-E-8117	SHIM .010	SL/SQ100,LR/QR100,RT-40-145
S-C710	2203-K-9241	SHIM .003	RH-23-160,26-185,RT-34-145,40-145,46-160,52-180
S-C711	2203-L-9242	SHIM .005	RH-23-160,26-185,RT-34-145,40-145,46-160,52-180-
S-D827	2203-M-9243	SHIM .010	RD-RP-20-145,23-160
S-5759	2208-X-440	GASKET	SSHD,SQHD,F
S-4684	2208-U-463	O RING	SLHD,SQHD,F
S-11750	2214-C-1095	ADJUSTING NUT	140, 141 & 145
S-5802	2233-U-99	PINION GEAR	SSHD,R170
S-2223	2233-A-105	PINION GEAR	SLHD,SQHD,F
S-3641	2233-U-151	PINION GEAR	SLHD,SQHD,SQHP,SQ100
S-2344	2233-W-153	PINION GEAR	SHF,SQHP,F
S-8329	2233-C-159	PINION GEAR	R170
S-6966	2233-J-192	PINION GEAR	SQHP,SQ100,F
S-C393	2233-K-245	PINION GEAR	RD, RP-23-160-23-164, 26-160
S-C129	2233-M-1001	PINION GEAR	RS-23-180
S-A102	2233-J-1024	PINION GEAR	RS-21-230,21-145,17-140,RT-40-140, RT-34-145,RT-40-140,RT-40-145
S-A325	2233-Q-1031	PINION GEAR	RS-13-120,15-210
S-12032	2233-T-1112	PINION GEAR	380
S-A542	2234-E-187	SIDE GEAR	R100,R140,R200
S-A326	2234-E-1097	SIDE GEAR	RS-13-120,15-120
S-2348	2234-K-271	SIDE GEAR	SSHD
S-2339	2234-X-310	SIDE GEAR	SLHD
S-7353	2234-M-325	SIDE GEAR	SLHD,SQHD,F
S-7354	2234-B-340	SIDE GEAR	SLHD,SQHD,F
S-2609	2234-F-344	SIDE GEAR	SSHD,R170
S-8330	2234-T-358	SIDE GEAR	R170
S-2051	2234-F-604	SIDE GEAR	SHF
S-7355	2234-X-700	SIDE GEAR	SLHD,SQHD
S-2480	2234-X-778	SIDE GEAR	SQHP,SQ100,F
S-7356	2234-C-783	SIDE GEAR	SQHP,SQ100
S-2347	2234-M-793	SIDE GEAR	SHF
S-5239	2234-Q-797	SIDE GEAR	F106
S-2479	2234-N-846	SIDE GEAR	SQHP,SQ100
S-5238	2234-N-872	SIDE GEAR	F106
S-11468	2234-F-890	SIDE GEAR	RP, RR380 & RP180
S-5863	2234-E-1019	SIDE GEAR	SQHP,SQ100
S-11542	2234-F-1046	SIDE GEAR	QRD, QRR100
S-C130	2234-C-1069	SIDE GEAR	RS-23-180
S-9786	2234-K-1077	SIDE GEAR	RS-21-230
S-9784	2234-M-1079	SIDE GEAR	RS-21-230
S-A326	2234-E-1097	SIDE GEAR	RS-13-120,15-210
S-9973	2234-R-1188	SIDE GEAR	RT-40-145,RD-20-145
S-C131	2234-T-1190	SIDE GEAR	RD, RP-23-160, 164, 26-160
S-9787	2234-U-1269	SIDE GEAR	RS-21-145,RT-40-140,RT-40-145
S-8538	2258-U-619	BRAKE SPRING, RETURN	161/2" "Q" BRAKES
S-7487	KIT-2268	COVER KIT	SQHP,SLP/SQP100
S-11762	KIT-2294	GEAR KIT	SQR100,P
S-5739	A-2297-E-811	FORK ASSEMBLY	SLHD,SQHD
S-11509	A1-2297-D-862	SHIFT FORK ASSEMBLY	SSHD
S-D929	2297-E-5335	SNAP RING	RT-34-145,40-140-145,44-145,RD-20-145

NEWSTAR REPLACEMENT GEARS and PARTS

APPLICATION: ARVIN MERITOR AXLES

NEWSTAR NUMBER	REPLACEMENT FOR PART NUMBER	DESCRIPTION	APPLICATION - MODEL
S-A131	KIT-2310	DIFF. KIT	RS-21-145,RT-40-140,40-145
S-9692	KIT-2316	INTER-AXLE DIFF. KIT	SQ100 LATE
S-B225	KIT-2317	BOLT KIT	RR-20-145,22-145,RS-21-145,17-140,RT-40145
S-C177	KIT-2318	GEAR KIT	RS-23-160
S-A105	KIT-2319	DIFF. KIT	RS-13-120, 15-120
S-A156	KIT-2327	DIFF. KIT	RS-21-230
S-A157	KIT-2328	DIFF. KIT LESS SPIDER	RS-21-230
S-10352	KIT-2329	DIFF KIT	RS-23-240
S-10031	KIT-2341	GEAR KIT LESS SPIDER	RS-23-160,161,25-160
S-A597	KIT-2347	INTER-DIFF KIT	RS-17-220
S-9950	KIT-2350	TWO SPEED REPAIR KIT W/HARDWARE	RS-21-230
S-9058	KIT-2393	BOLT KIT	NEW STYLE KIT SHR,R155
S-F263	KIT-2424	GEAR KIT	RD-23-160,164,26-160,RP-23-160,164,26-160
S-C492	KIT-2426	BOLT KIT	RD-RP-RS-23-160
S-F192	KIT-2429	SHIM KIT	RT-140,141,145
S-13320	MPS-2438	OIL PUMP GEAR KIT	SL,SQ100
S-C491	KIT-2455	TWO SPEED SHIFT KIT	RS-15-210
S-A223	KIT-2456	DIFF. KIT	RS-17-220
S-9891	KIT-2457	TWO SPEED REPAIR KIT	RS-21-230
S-11847	KIT-2458	SHIFT KIT	RS-23-240
S-A132	KIT-2482	HELICAL GEAR KIT	RT-34-145, 40-140, 40-145, 44-145
S-A104	KIT-2488	INTER-AXLE REPAIR KIT	RT-34-145, 40-140, 40-145, 44-145, RD-20-145
S-10345	KIT-2488-I39	INTER-AXLE REPAIR KIT	RD,RP-20-145
S-10030	KIT-2489	GEAR KIT LESS SPIDER	RD-23-160,23-164-26-160,RP-23-160,23-164
S-B436	KIT-2498	SHAFT KIT	SHF
S-11495	KIT-2522	GEAR KIT	RD,RP-22-145
S-C626	KIT-2623	UPGRADE KIT	RP, RT-40-145
S-A852	KIT-2636	HARDWARE KIT	RS-16-140, 17-140
S-A327	KIT-2637	HARDWARE KIT	RD-20-145, RT-40-145
S-A853	KIT-2638	HARDWARE KIT	RT-46-160, 52-160, RS-23-160, 161,26-120
S-11496	KIT-2743	UPDATE KIT	RD,RP-20-145
S-A854	KIT-2759	SIDE GEAR KIT	RS-21-145, RT-40-140, 40-145
S-6933	S-2824A-2	CAPSCREW	SQHD
S-10106	S-2826-2	BOLT. DIFF CASE	SQHD,SQHP SQ100
S-6927	MPS-2997	INTER DIFF. ASSEMBLY	SQHP, SQ100,F
S-13268	3107-P-16	COLLAR	RP,RR180 & 380
S-E957	3107-M-1183	CLUTCH COLLAR	RS,RT140,141,145 SERIES
S-10373	3198-Y-1013	SHAFT PLANETARY PINION	RS-23-240
S-6968	3202-R-3268	AXLE SHAFT	SQHD
S-10183	3202-A-3459	AXLE SHAFT	SSHD
S-6970	3202-X-3508	AXLE SHAFT	SSHD-R170
S-6972	3202-L-6356	AXLE SHAFT	SQHP
S-6973	3202-N-6358	AXLE SHAFT	SQHP
S-6974	3202-X-6472	AXLE SHAFT	SLHD
S-6975	3202-L-6564	AXLE SHAFT	SQHD
S-6977	3202-T-6728	AXLE SHAFT	SSHD
S-6978	3202-U-6729	AXLE SHAFT	SSHD
S-6980	3202-P-7816	AXLE SHAFT	F106
S-D845	3202-U-7977	AXLE SHAFT	SSHD, RS-23-157, R255,U340
S-D846	3202-V-7978	AXLE SHAFT	SSHD, RS-23-157, R255, U340
S-6981	3202-Q-8389	AXLE SHAFT	F106
S-12037	3202-H-8666	AXLE SHAFT	RS-23-180, 185, 186
S-11916	3202-Q-8805	AXLE SHAFT	23-160
S-11747	3202-B-8816	AXLE SHAFT	160, 161 & 164
S-A738	3202-J-8902	AXLE SHAFT	RS-17-220
S-A739	3202-L-8904	AXLE SHAFT	RS-17-220
S-9422	3202-W-8915	AXLE SHAFT	RS-21-230
S-12038	3202-Y-8917	AXLE SHAFT	RS-23-240

LATEST ADDITIONS TO OUR CATALOG

ALL PARTS SUPPLIED ARE S&S/NEWSTAR. USE OF OTHER MANUFACTURERS' NAMES, PART NUMBERS, OR TRADEMARKS ARE FOR INFORMATIONAL AND IDENTIFICATION PURPOSES ONLY. PRICES ARE SUBJECT TO CHANGE OR WITHDRAWAL WITHOUT NOTICE.

NEWSTAR REPLACEMENT GEARS and PARTS

APPLICATION: ARVIN MERITOR AXLES

NEWSTAR NUMBER	REPLACEMENT FOR PART NUMBER	DESCRIPTION	APPLICATION - MODEL
S-9422	3202-Q-8935	AXLE SHAFT	RS-21-230
S-D890	3202-E-9001	AXLE SHAFT	RS-13-120, 15-120, 15-125, 15-210
S-D889	3202-F-9002	AXLE SHAFT	RS-13-120, 15-120, 15-125, 15-210
S-D888	3202-F-9340	AXLE SHAFT	20-145, 21-145
S-D887	3202-G-9341	AXLE SHAFT	20-145, 21-145
S-D886	3202-H-9342	AXLE SHAFT	RD-RP-20-145, 22-145, RR-20-145, 22-145
S-11848	3202-S-9483	AXLE SHAFT	RS-20-145
S-7360	A-3226-A-131	CAGE ASSEMBLY	SLHD, SQHD, F
S-A944	A-3226-X-180	CAGE ASSEMBLY	SSHD
S-7361	A-3226-M-585	RETAINER	SQHP, SQ100, F
S-6982	3226-E-629	RETAINER	SSHD
S-11794	A-3226-W-699	CAGE ASSEMBLY	SSHD
S-11540	A1-3226-W-699	CAGE & SHAFT KIT	SSHD
S-13167	A-3226-B-1016	CAGE ASSEMBLY	160E
S-9085	A-3235-W-751	CASE ASSEMBLY	SSHD EARLY STYLE
S-7675	A1-3235-Z-884	CASE ASSEMBLY	D140, F106, 145
S-7676	A8-3235-Z-884	CASE ASSEMBLY	SPLD140, F106, 145
S-11408	A1-3235-N-1106	CASE ASSEMBLY	SSHD, RATIOS 4.89 THRU 7.40
S-11409	A4-3235-N-1106	CASE ASSEMBLY	SSHD, RATIOS 4.89 THRU 7.40
S-6983	A32-3235-N-1106	CASE ASSEMBLY	SSHD,R155 RATIOS 4.89 THRU 7.40
S-D479	A1-3235-Q-1109	CASE ASSEMBLY	SSHD RATIOS 3.90,4.11,4.33
S-6984	A39-3235-Q-1109	CASE ASSEMBLY	SSHD RATIOS 3.90,4.11,4.33
S-A589	A17-3235-L-1156	CASE ASSEMBLY	SQHP, SQ100, QAR, QR100 (4.11-4.63)
S-8365	A26-3235-L-1156	CASE ASSEMBLY	SQHP, SQ100, QAR, QR100 (4.11-4.63)
S-6985	A1-3235-B-1172	CASE ASSEMBLY	SQHP, SQ100
S-2488	A4-3235-B-1172	CASE ASSEMBLY	SQHP, SQ100
S-8366	A19-3235-C-1173	CASE ASSEMBLY	SQHP-QAR, SQ100, QR100 (3.42-3.90)
S-8364	A28-3235-D-1174	CASE ASSEMBLY	SQHP, SQ100, QAR, QR100 (4.88-7.80)
S-2345	A-3235-B-1250	CASE ASSEMBLY	SSHD
S-6986	A1-3235-B-1250	CASE ASSEMBLY	SSHD
S-6986	A3-3235-B-1250	CASE ASSEMBLY	SSHD-SEE A1-3235-B-1250
S-7362	A1-3235-T-1528	CASE ASSEMBLY	SLHD, SQHD, F
S-7363	A2-3235-T-1528	CASE ASSEMBLY	SLHD, SQHD, F
S-11510	A-3235-X-1532	CASE ASSEMBLY	380
S-8360	A-3235-F-1800	CASE ASSEMBLY	SQHP W/ 39 SPLINE SPIDER
S-7856	A1-3235-F-1800	CASE ASSEMBLY	SL, SQ100, SQHP, SSHD
S-8230	A2-3235-F-1800	CASE ASSEMBLY	SL, SQ100, SQHP W/ 22 SPLINE
S-7857	A3-3235-F-1800	CASE ASSEMBLY	SL, SQ100, SQHP W/ 41 SPLINE
S-6988	A-3235-G-1801	CASE ASSEMBLY	SQHP,SQ100
S-11401	A2-3235-U-1841	CASE ASSEMBLY	USED W/ LOCKOUT- FOR RATIOS 4.30 THRU 7.17
S-A945	A8-3235-U-1841	CASE ASSEMBLY	RP,RR,RS-21-145, (3.42-4.10)
S-11400	A2-3235-W-1843	CASE ASSEMBLY	USED W/ LOCKOUT- FOR RATIOS 3.42 THRU 4.11
S-A946	A8-3235-W-1843	CASE ASSEMBLY	RP,RR-20-145,RS-21-145, (4.30-7.17)
S-10369	A2-3235-S-1865	CASE ASSEMBLY	RS-23-240
S-C658	A4-3235-S-1865	CASE ASSEMBLY	RS-23-240
S-10351	A5-3235-S-1865	CASE ASSEMBLY	RS-23-240
S-B835	A3-3235-G-1905	DIFF CASE W/ PLANETARIES	RS-21-230
S-A133	A4-3235-G-1905	CASE ASSEMBLY	RS-21-230
S-B836	A3-3235-H-1906	DIFF CASE W/ PLANETARIES	RS-17-220
S-A134	A4-3235-H-1906	CASE ASSEMBLY	RS-17-220
S-9818	A-3235-W-2025	CASE ASSEMBLY	RT-40-145,RD-20-145
S-12030	A2-3235-C-2109	CASE ASSEMBLY	160,161 & 164 - FOR RATIOS 3.07 THRU 3.73
S-11826	A-3235-E-2111	CASE ASSEMBLY	FOR RATIOS 3.91 THRU 4.56 - 160,161 & 164
S-11795	A-3235-N-2380	CASE ASSEMBLY	RT-40-145,RD-20-145
S-C694	A3-3235-A-2393	CASE ASSEMBLY	160, 161 AND 164
S-C132	A-3261-L-350	CYLINDER	140, 141, 143 & 145
S-7364	3266-H-970	COVER	SQHP,SQ100
S-C507	3266-C-1095	PINION COVER	160, 161 & 164
S-2342	3278-A-79	SPIDER	SSHD,R170

NEWSTAR REPLACEMENT GEARS and PARTS

APPLICATION: ARVIN MERITOR AXLES

NEWSTAR NUMBER	REPLACEMENT FOR PART NUMBER	DESCRIPTION	APPLICATION - MODEL
S-7365	3278-H-86	SPIDER	SQHD,SQHP,SQ100
S-7366	3278-M-91	SPIDER	SLHD,SQHD,F
S-7678	3278-Z-104	SPIDER	F106,145
S-6989	3278-Y-129	SPIDER	SHF
S-6990	3278-J-244	SPIDER	SQHP,SQ100,F
S-2346	3278-Y-259	SPIDER	USE 3278V1088
S-C391	3278-N-300	SPIDER	RD,RP-23-160,164,26-160
S-7367	3278-S-305	SPIDER	SLHD,SQHD,SQ100,SQHP
S-C133	3278-W-335	SPIDER	RS-23-160
S-5864	3278-H-372	SPIDER	SQHP,SQ100
S-A057	3278-P-1004	SPIDER	RS-13-120,15-120
S-7946	3278-V-1088	SPIDER	SSHD-22 SPLINE
S-7858	3278-A-1093	SPIDER	SQHP,SL,SQ-100 W/41 SPLINE
S-2115	A-3280-Z-2444	SHAFT	SHF
S-7368	A-3280-V-2518	HOUSING	SLHD,SQHD,F
S-6991	3280-X-2520	CLUTCH COLLAR	SLHD,SQHD
S-7948	3280-F-5024	THRU SHAFT	T223
S-6992	3280-V-5040	FILTER	SQHP,F,SQ100,F
S-2485	3280-G-5519	CLUTCH COLLAR	SQHP,F,SL,SQ100,F
S-6993	A1-3280-S-5609	THRU SHAFT	SSHD
S-2487	3280-T-5688	THRU SHAFT	USE 3280L9528
S-7369	3280-L-6720	THRU SHAFT	SSHD
S-2039	3280-N-6748	THRU SHAFT	SHF
S-A849	3280-X-6758	END YOKE	SSHD 2"-39 SPLINE
	(A2-3280-X-6758)		
S-6994	3280-L-7604	CLUTCH	SSHD
S-7370	A-3280-U-8081	COVER	SQHP,SL,SQ100,F
S-10366	3280-G-8301	CASE HALF - RH	RS-17-220,19-220
S-10372	3280-H-8302	CASE HALF - RH	RS-21-230
S-10353	3280-J-8304	CASE HALF - RH	RS-23-240
S-E451	3280-R-8312	SUPPORT CASE, LH	RS-15-210
S-E450	3280-T-8314	CLUTCH PLATE	RS-15-210
S-B488	3280-W-8317	CASE HALF	RS-17-220
S-B484	3280-Y-8319	CASE HALF	RS-21-230
S-B489	3280-A-8321	CLUTCH PLATE	RS-17-220
S-B485	3280-H-8328	CLUTCH PLATE	RS-21-230
S-A795	3280-V-8394	OIL FILTER	RH-26-185,23-186,RT-48-180,58-180,52-180, 58-380,46-160P
S-2487	3280-L-9528	OUTPUT SHAFT	SQHP,SQ100,F
S-5245	A-3296-T-150	SHIFT FORK	SQHP,SL,SQ100
S-C591	A-3296-A-1093	SHIFT FORK	RD-20-145,22-145,40-145
S-11846	3296-Z-1170	SHIFT FORK	140, 141 AND 145
S-12043	3296-N-1184	SHIFT FORK	180, 185 & 186 W/DIFF LOCK
S-2478	A1-3297-X-50	INPUT SHAFT	SQHP,F
S-11247	3297-S-97	OUTPUT SHAFT	RR-23-280
S-6995	A1-3297-F-110	INPUT SHAFT	SQ100,F
S-E933	A-3297-V-1010	OUTPUT SHAFT KIT	RT-160,161,164
S-8103	A1-3297-Z-1014	INPUT SHAFT	SQ100,LATE STYLE
S-8104	A1-3297-A-1015	INPUT SHAFT	SQHP,LATE STYLE
S-A211	3297-E-1019	THRU SHAFT	RD,RP-17-145,RD,RP-20-145,RD-22-145
S-A793	A1-3297-Q-1161	INPUT SHAFT	RP,RT-40-145
S-C392	A1-3297-X-1194	INPUT SHAFT	160, 161 & 164 W/PUMP
S-9788	A-3297-A-1197	INPUT SHAFT	RD-20-145 W/O OIL PUMP RT-40-145 W/O OIL PUMP
S-13396	A1-3297-N-1288	INPUT SHAFT	FWD 180,185,186 AFTER 1993, REAR 380
S-A564	A-3297-T-1346	INPUT SHAFT	46 SPLINE RT-40-145 W/ PUMP
S-C440	A-3297-U-1347	INPUT SHAFT	RT-34-145,40-140,40-145,44-145
S-10529	A-3303-Q-1005	PUMP ASSEMBLY	T228 TRANSFER CASE
S-C134	A-3303-P-1030	PUMP ASSEMBLY	160,161 & 164
S-8228	MPS-3344	INTER DIFF. KIT	QD100,LD100,QRD100

LATEST ADDITIONS TO OUR CATALOG

ALL PARTS SUPPLIED ARE S&S/NEWSTAR. USE OF OTHER MANUFACTURERS' NAMES, PART NUMBERS, OR TRADEMARKS ARE FOR INFORMATIONAL AND IDENTIFICATION PURPOSES ONLY. PRICES ARE SUBJECT TO CHANGE OR WITHDRAWAL WITHOUT NOTICE.

NEWSTAR REPLACEMENT GEARS and PARTS

APPLICATION: ARVIN MERITOR AXLES

NEWSTAR NUMBER	REPLACEMENT FOR PART NUMBER	DESCRIPTION	APPLICATION - MODEL
S-C582	MPS-3344-145	INTER DIFF. KIT	RT-40-145
S-13545	MPS-3345-145	INTER DIFF. KIT	RT-40-145 WITH PUMP
S-8229	MPS-3345	INTER DIFF. KIT	QHP,LP100,QP100,QRP100
S-2326	3880-K-921	THRU SHAFT	USE MPS1842
S-7840	A1-3889-L-272	GEAR SET	QD-R W/ OLD PINION 3890-P-354
S-2131	3891-N-950	PINION, PLANETARY	SFDD
S-6996	3891-L-974	SUN GEAR	---
S-6997	3891-M-975	PLANETARY PINION	---
S-7909	3892-P-1550	SUN GEAR	T223H
S-2126	3892-S-1553	BULL GEAR	SFDD
S-7947	3892-Y-1637	SUN GEAR	T223
S-6999	3892-X-1792	SUN GEAR	PR,PS-250,270
S-7000	3892-Z-1794	SUN GEAR	PR,PS-250,270
S-2040	3892-D-1798	DRIVE GEAR	SHF
S-7428	A-3892-D-1824	IDLER GEAR	SLHD,SQHD,F
S-2050	3892-F-1826	DRIVE GEAR	SHF
S-7429	3892-P-2044	DRIVE GEAR	SLHD,SQHD,F
S-7949	3892-Y-2443	DRIVE GEAR	T223
S-2486	3892-S-3945	DRIVE GEAR	SQHP,SQ100,F
S-7001	3892-P-3968	DRIVE GEAR	SQHP,SQ100,F
S-8242	3892-D-3982	PLANETARY GEAR	PR150
S-11466	3892-J-4014	DRIVE GEAR	180,185 & 186 SERIES, RR 380
S-7430	3892-S-4517	DRIVE GEAR	SLHD,SQHD,F
S-7002	A-3892-S-4517	DRIVE GEAR W/ NUT	SLHD,SQHD,F
S-7431	3892-C-4735	DRIVE GEAR	SLHD,SQHD,F
S-7003	A-3892-C-4735	DRIVE GEAR W/ NUT	SLHD,SQHD,F
S-7004	3892-F-4738	DRIVE GEAR	SQHP,SQ100
S-C490	3892-H-4844	SUN GEAR	RS-15-210S
S-B487	3892-J-4846	SUN GEAR	RS-17-220
S-B486	3892-K-4847	SUN GEAR	RS-21-230
S-10370	3892-L-4848	SUN GEAR	RS-23-240
S-10371	3892-R-4854	PLANETARY PINION	RS-23-240
S-8902	3892-N-4902	HELICAL PINION GEAR	RT-40-145,RD-20-145
S-C138	3892-U-4909	DRIVE GEAR	RD,RP23-160
S-8105	3892-M-4927	DRIVE GEAR	SQ100,SQHP,LATE STYLE
S-9974	3892-R-4932	DRIVE GEAR	RT-40-145,RP,RD-20-145
S-C137	3892-T-4934	DRIVE GEAR	160, 161 & 164
S-11467	3892-W-4963	DRIVE GEAR	RP-180
S-9582	KIT-4000	BEARING & SEAL KIT	LHD,SQHD
S-9779	KIT-4005	BEARING & SEAL KIT	LHR,QHR
S-9705	KIT-4010	BEARING & SEAL KIT	LHR,QHR
S-9706	KIT-4025	BEARING & SEAL KIT	LHR,QHR
S-9570	KIT-4035	BEARING & SEAL KIT	SQHP,SL,SQ100
S-9568	KIT-4045	BEARING & SEAL KIT	SQHD W/ 2"-39 SPLINE
S-9569	KIT-4065	BEARING & SEAL KIT	SLR,SQR
S-9561	KIT-4080	BEARING & SEAL KIT	SSHD
S-9562	KIT-4105	BEARING & SEAL KIT	SHR,R,PR
S-9557	KIT-4110	BEARING & SEAL KIT	R170,SW170
S-9839	KIT-4340	BEARING & SEAL KIT	RS-13-120,15-120
S-C545	KIT-4390	BEARING & SEAL KIT	RS-21-145,RT-40-145,44-145 AFTER 11/93
S-C546	KIT-4396	BEARING & SEAL KIT	RT-34-145, 40-145,44-145 AFTER 11/93
S-A574	KIT-4400	BEARING & SEAL KIT	RS-21-145,RT-34-145,40-145,44-145,
S-C547	KIT-4405	BEARING & SEAL KIT	RT-40-145,44-145 BEFORE 11/93
S-C548	KIT-4406	BEARING & SEAL KIT	RT-44-145 AFTER 11/93
S-C549	KIT-4415	BEARING & SEAL KIT	RS-23-160,23-161,26-160,46-160,52-160
S-F245	KIT-4420	BEARING & SEAL KIT	RT-46-160,52-160
S-C550	KIT-4423	BEARING & SEAL KIT	RT-46-140,52-160
S-C551	KIT-4426	BEARING & SEAL KIT	RS-23-160,23-161,26-160,RT-46-160,52-160
S-C552	KIT-4428	BEARING & SEAL KIT	RS-23-160,23-161,26-160,46-160,52-160

NEWSTAR REPLACEMENT GEARS and PARTS

APPLICATION: ARVIN MERITOR AXLES

NEWSTAR NUMBER	REPLACEMENT FOR PART NUMBER	DESCRIPTION	APPLICATION - MODEL
S-C553	KIT-4435	BEARING & SEAL KIT	RS-23-180,RT-48-180,52-180,58-180
S-C554	KIT-4437	BEARING & SEAL KIT	RD-23-180,RT-48-180,52-180,58-180
S-C407	KIT-4455	SENSOR KIT	RD-23-160
S-10520	S-21020A-2	CASE BOLT	SSHD
S-10521	S-21028A-2	CASE BOLT	SSHD
S-9706	RA9R	BEARING & SEAL KIT	LHR,QHR W/ 1 3/16" PINION
S-9705	RA9RB	BEARING & SEAL KIT	LHR,QHR W/ 1 3/8" PINION
S-9779	RA9RC	BEARING & SEAL KIT	LHR,QHR W/ 1 3/8" PINION -RATIOS 4.63 & BELOW
S-9557	RA50	BEARING & SEAL KIT	R170, SW170
S-9561	RA172FB	BEARING & SEAL KIT	SSHD W/ INVOLUTE
S-9562	RA172R	BEARING & SEAL KIT	SHR, R SERIES
S-9568	RA194RA	BEARING & SEAL KIT	SQAR, W/ 39 SPLINES
S-9569	RA194RB	BEARING & SEAL KIT	SLR, SQR
S-9570	RA194F	BEARING & SEAL KIT	SQHP, SL, SQ100
S-9578	RA217F	BEARING & SEAL KIT	RD,RP-17-145,20-145,22-145,34-145,40-145,44-145
S-A574	RA217R	BEARING & SEAL KIT	RR-17-145,20-145,22-145,RS-21-145, RT-34-145,40-145,44-145
S-9839	RA218	BEARING & SEAL KIT	RS-13-120,15-120
S-A575	RA224	BEARING & SEAL KIT	RR-20-145,RS-21-145,RT-40-145
S-9582	RA900F	BEARING & SEAL KIT	SLHD, SQHD

NEWSTAR REPLACEMENT CONVENIENCE KITS

APPLICATION: ARVIN MERITOR WORLD AXLE



NEWSTAR NO. **S-13545**

REPLACEMENT FOR PART NUMBER: **MPS-3345-145**

APPLICATION: RT-40-145 WITH PUMP

CONSISTS OF ONE EACH:

NEWSTAR NUMBER	REPLACEMENT FOR PART NUMBER	
S-9818	A-3235-W-2025	CASE ASSEMBLY
S-A564	A-3297-T-1346	INPUT SHAFT
S-9973	2234-R-1188	SIDE GEAR
S-D929	2297-F-5335	SNAP RING
S-A942	A-1205-R-2592	OIL SEAL
S-9974	3892-R-4932	DRIVE GEAR
S-E080	1229-D-4788	WASHER
S-A973	40-X-1233	NUT
S-C710	2203-K-9241	SHIM
S-C711	2203-L-9242	SHIM
S-D827	2203-M-9243	SHIM

LATEST ADDITIONS TO OUR CATALOG

ALL PARTS SUPPLIED ARE S&S/NEWSTAR. USE OF OTHER MANUFACTURERS' NAMES, PART NUMBERS, OR TRADEMARKS ARE FOR INFORMATIONAL AND IDENTIFICATION PURPOSES ONLY. PRICES ARE SUBJECT TO CHANGE OR WITHDRAWAL WITHOUT NOTICE.

NEW★STAR REPLACEMENT CONVENIENCE KITS

APPLICATION: ARVIN MERITOR WORLD AXLE



NEW★STAR NO. S-10345

REPLACEMENT FOR PART NUMBER: **KIT 2488-391**
APPLICATION: RT-34-145,40-140,40-145,44-145,RD-20-145

CONSISTS OF ONE EACH:

NEW★STAR NUMBER	REPLACEMENT FOR PART NUMBER	
S-9818	A-3235-W-2025	CASE ASSEMBLY
S-A793	A1-3297-Q-1161	INPUT SHAFT-39 SPLINE
S-9973	2234-R-1188	SIDE GEAR
S-9974	3892-R-4932	DRIVE GEAR
S-8017	1229-M-4069	WASHER
S-E080	1229-D-4788	WASHER
S-D929	2297-E-5335	SNAP RING
S-A215	40-X-1237	NUT
S-A630	A-1205-P-2590	OIL SEAL



NEW★STAR NO. S-A104

REPLACEMENT FOR PART NUMBER: **KIT 2488**
APPLICATION: RT-34-145,40-140,40-145,44-145,RD-20-145

CONSISTS OF ONE EACH:

NEW★STAR NUMBER	REPLACEMENT FOR PART NUMBER	
S-9818	A-3235-W-2025	CASE ASSEMBLY
S-9973	2234-R-1188	SIDE GEAR
S-9974	3892-R-4932	DRIVE GEAR
S-E080	1229-D-4788	WASHER
S-D929	2297-E-5335	SNAP RING



NEW★STAR NO. S-A534

REPLACEMENT FOR PART NUMBER: RT-40-145FSKE
APPLICATION: AXLE MODEL RT-40-145

CONSISTS OF ONE EACH:

NEW★STAR NUMBER	REPLACEMENT FOR PART NUMBER	
S-9818	A-3235-W-2025	CASE ASSEMBLY
S-9788	A-3297-A-1197	INPUT SHAFT-39 SPLINE
S-9973	2234-R-1188	SIDE GEAR
S-8902	3892-N-4902	DRIVE GEAR
S-9974	3892-R-4932	DRIVE GEAR
S-8017	1229-M-4069	WASHER



NEW★STAR NO. S-C582

REPLACEMENT FOR PART NUMBER: MPS-3344-145, RT-40-145FSKL
APPLICATION: AXLE MODEL RT-40-145

CONSISTS OF ONE EACH:

NEW★STAR NUMBER	REPLACEMENT FOR PART NUMBER	
S-9818	A-3235-W-2025	CASE ASSEMBLY
S-C440	A-3297-U-1347	INPUT SHAFT-46 SPLINE
S-9973	2234-R-1188	SIDE GEAR
S-8902	3892-N-4902	DRIVE GEAR
S-9974	3892-R-4932	DRIVE GEAR
S-E080	1229-D-4788	WASHER
S-A973	40-X-1233	NUT
S-C710	2203-K-9241	SHIM
S-C711	2203-L-9242	SHIM
S-D827	2203-M-9243	SHIM

NEWSTAR REPLACEMENT RING GEAR AND PINION SETS

APPLICATION: VARIOUS CLARK AXLES



NEWSTAR NUMBER	REPLACEMENT FOR PART NUMBER	DESCRIPTION	APPLICATION
S-6318	122443	GEAR SET 6.83 RH	1230
S-2328	815328	GEAR SET 3.27 RH	1640, BD-70-90
S-6314	815357	GEAR SET 4.10 RH	1640, BD-50-70-90-91
S-6318	815931	GEAR SET 6.83 RH	1230

NEWSTAR REPLACEMENT GEAR AND MISC. PARTS

APPLICATION: VARIOUS CLARK AXLES

NEWSTAR NUMBER	REPLACEMENT FOR PART NUMBER	DESCRIPTION	APPLICATION
S-6182	106232	SUN GEAR	1640, BD90
S-8607	106355	PLANETARY SHAFT	1640, BD90
S-6183	106356	GEAR	BD-70
S-6185	110527	PINION GEAR	1850
S-6186	110528	SIDE GEAR	1850
S-2457	110857	PINION DROP GEAR	BD-70-90
S-6196	117044	PINION	1640, BD-90
S-2458	117947	GEAR	BD-70-90
S-6200	117960	GEAR	BD-70-90
S-8880	118474	WASHER	1530
S-6201	118478	WASHER	1640, BD-70-90
S-2462	124084	SHAFT	BD-70-90
S-2705	124086	SHAFT	BD-70-90
S-6213	124278	PINION GEAR	BD90, 91
S-6214	124279	SIDE GEAR	BD90, 91
S-6215	124284	SHAFT	BD-70-90
S-6226	127814	SPIDER CROSS	BD-90-91
S-6227	127817	PINION WASHER	1640, BD-70-90
S-6316	815746	PINION GEAR KIT	1640, BD-90
S-6320	816044	SIDE GEAR KIT	BD90, 91
S-6323	816207	SIDE GEAR KIT	1850
S-6316	2107055	PINION GEAR KIT	1640, BD-90

LATEST ADDITIONS TO OUR CATALOG

ALL PARTS SUPPLIED ARE S&S/NEWSTAR. USE OF OTHER MANUFACTURERS' NAMES, PART NUMBERS, OR TRADEMARKS ARE FOR INFORMATIONAL AND IDENTIFICATION PURPOSES ONLY. PRICES ARE SUBJECT TO CHANGE OR WITHDRAWAL WITHOUT NOTICE.

NEWSTAR RING GEAR AND PINION SETS

SUITABLE FOR DANA® AXLES



NEWSTAR NUMBER	REPLACEMENT FOR PART NUMBER	RATIO	DESCRIPTION	APPLICATION MODEL
S-A396	24638-5X	3.54	GENUINE GEAR SET REV. CUT	44
S-E703	24807-5X	4.10	GEAR SET	60
S-8594	24813-5X	3.54	GEAR SET	60
S-A393	29244-5X	3.70	GENUINE GEAR SET	30
S-8597	72154-5X	4.10	GEAR SET	70
S-8544	706033-1X	3.54	RING GEAR & PINION W/ INSTALLATION KIT	60
S-E704	706033-3X	4.10	RING GEAR & PINION W/ INSTALLATION KIT	60
S-8546	706999-4X	4.10	RING GEAR & PINION W/ INSTALLATION KIT	70
S-9807	707060-1X	4.63	RING GEAR & PINION W/ INSTALLATION KIT	80

NEWSTAR REPLACEMENT COMPONENTS PARTS

APPLICATION: CHRYSLER AXLES

NEWSTAR NUMBER	REPLACEMENT FOR PART NUMBER	SIZE	APPLICATION
S-9796	4137429	9.25"	AXLE SHAFT
S-9493	4746879	7.25" 10 BOLT-25 SPLINE	GEAR KIT
S-9530	RA303	8.25", 8.375"	BEARING & SEAL KIT
S-9531	RA304	9.25"	BEARING & SEAL KIT

NEW★STAR INSTALLATION KIT

TO REPLACE DANA® LIGHT DUTY
CONSISTING OF ALL NEEDED BEARINGS, SHIMS, SLEEVES, BOLTS, ETC.



NEW★STAR NUMBER	REPLACEMENT FOR PART NUMBER	DESCRIPTION	MODEL NUMBER
S-8682	RA60	INSTALLATION KIT	60
S-8683	RA70	INSTALLATION KIT	70
S-9831	43651-1 AXLE SHAFT	FORD MODEL F350 TRUCKS	80

NEW★STAR BEARING AND SEAL KIT

SUITABLE FOR DANA® AXLES

NEW★STAR NUMBER	REPLACEMENT FOR PART NUMBER	MODEL NUMBER
S-9546	RA331	60
S-9547	RA332	70
S-9549	RA334	30AF
S-D579	RA334TJ	30 1997 & UP
S-D578	RA336	50IFS 1980 & UP
S-C104	RA337	80

LATEST ADDITIONS TO OUR CATALOG

ALL PARTS SUPPLIED ARE S&S/NEWSTAR. USE OF OTHER MANUFACTURERS' NAMES, PART NUMBERS, OR TRADEMARKS ARE FOR INFORMATIONAL AND IDENTIFICATION PURPOSES ONLY. PRICES ARE SUBJECT TO CHANGE OR WITHDRAWAL WITHOUT NOTICE.

NEWSTAR GEAR AND MISCELLANEOUS PARTS

SUITABLE FOR DANA® (FORMERLY HILLARD) AXLES

NEWSTAR NUMBER	REPLACEMENT FOR		DESCRIPTION	APPLICATION
	DANA® NUMBER	INTERNATIONAL TRUCK NUMBER		
S-9757	GGA-GH-100	597168C1	CLUTCH PLATE	G155T,175T
S-9761	GGA-GS-100	597170C1	SUN GEAR	G155T,175T
S-A344	GGA-GU-101	597156C1	IDLER GEAR	G175T,M190T
S-13453	HN162	1696474C1	NUT	N400
S-7120	MJA-GS-100	597171C1 EOHZ4055B	SUN GEAR	190T,220T
S-9173	MJA-GH-102	597173C1	RETAINER	M190T,210T,220T,230T
S-A343	MJA-HH-102	597148C1	OIL SEAL	G155T,175T
S-A830	MJA-KD-103	597105C91	GEAR KIT	M230T,G175S,M200S,220S,T, M190T,G175T,M210T
S-9131	MJA GA-103X (MJA-KG-120X)	597140C91	GEAR SET 5.57	M190T, M220T, M230T
S-7119	MJA-GU-100	597155C1 EOHZ4040B	PLANETARY PINION	190T,220T
S-8753	400-GD-100	1665300C1	SIDE GEAR	N340,400,X380
S-8752	401-KK-100-X	1665326C1	INPUT SHAFT	N340,400,X380
S-A364	401-QK-100	1665327C91	CASE KIT	N400 (3.06 THRU 4.44)
S-F072	401-DP-101	---	SPIDER CROSS	N400
S-9275	401-KK-101	1665379C91	OUTPUT SHAFT	N340,X380,N400
S-A365	401-KQ-101X	1665328C91	CASE KIT	N400 (4.56 THRU 6.04)
S-B246	401-KY-101	1696994C1	BOLT KIT	N175,190,210,J190S,210S, G175T,190T,220T,J340S,380S,400S
S-8757	401-SH-101	1665332C1	SHIFT COLLAR	N340,400,X380
S-8756	---	1665307C91	INTER-DIFF. ASSY.	N340,X380,N400
S-A712	401-GS-102	1665380C1	DRIVE GEAR	N340,400
S-C005	401-KK-102X	1692964C91	INPUT SHAFT KIT	N340,400
S-D594	401-SS-103	1665334C1	SHAFT	N340,400
S-9275	401-SS-104	1665379C91	OUTPUT SHAFT	N340,X380,N400
S-9720	HN130	1696471C1	PINION NUT	G175S,G190S,G155T, G175T,M200S,M220S, M190T,M210T,M220T,M230T N340,N400,S122,S135, S150
S-B009	RA213	1653125C91	BEARING & SEAL KIT	G160,F175,G175,185,190
S-9893	RA223F	1665333C91	BEARING & SEAL KIT	N400
S-A469	RA223R	1665329C91	BEARING & SEAL KIT	N400 REAR

NEW★STAR RING GEAR AND PINION SETS

SUITABLE FOR VARIOUS DANA® (FORMERLY EATON) AXLES

NEW★STAR NUMBER	REPLACEMENT FOR PART NUMBER	DESCRIPTION	APPLICATION MODEL
S-13447	27927	GEAR SET 5.83	1350
S-7377	35055	GEAR SET 6.17	RA 30
S-7378	35056	GEAR SET 7.17	RA 30
S-6356	35057	GEAR SET 6.50	RA 39
S-8251	95529	GEAR SET 4.62	30DP
S-6413	95538	GEAR SET 4.33	34,38DS
S-7488	95539	GEAR SET 4.56	34,38DS
S-7489	95540	GEAR SET 4.88	34,38DS
S-7950	95541	GEAR SET 5.29	34,38DS
S-8243	95542	GEAR SET 5.57	34,38DS
S-7916	95547	GEAR SET 3.70	34,38,42DT,DP,D3
S-A454	95548	GEAR SET 4.11	34,38,42DT,DP,D3
S-A456	95550	GEAR SET 4.56	34,38,42DT,DP,D3
S-A457	95551	GEAR SET 4.88	34,38,42DT,DP,D3
S-A458	95552	GEAR SET 5.29	34,38,42DT,DP,D3
S-A459	95553	GEAR SET 5.57	34,38,42DT,DP,D3
S-13425	95554	GEAR SET 6.14	34,38DP,DT
S-6414	95557	GEAR SET 3.70	DS340,380,400
S-6415	95558	GEAR SET 4.11	DS340,380,400
S-8244	95559	GEAR SET 4.33	DS340,380,400
S-7917	95560	GEAR SET 4.56	DS340,380,400
S-7918	95561	GEAR SET 4.88	DS340,380,400
S-8507	95567	GEAR SET 4.11	DT,DP340,380,400,50DT,DP
S-A975	95579	GEAR SET 4.56	44DS,DS480
S-8095	95581	GEAR SET 5.43	44DS,DSM,DS480P
S-9879	95584	GEAR SET 4.11	44DT,DP,DT480P,DP580,650P,SP580,650,TP580,650
S-9949	95585	GEAR SET 4.33	44DT,DP,DT480P,DP580,650P,SP580,650,TP580,650
S-9880	95586	GEAR SET 4.56	44DT,DP,DT480P,DP580,650P,SP580,650,TP580,650
S-6419	96619	GEAR SET 3.70	17100-1,18100-1,34,38RS
S-6420	96620	GEAR SET 4.11	17100-1,18100-1,34,38RS
S-6422	96622	GEAR SET 4.56	17100-1,18100-1,34,38RS
S-8216	96623	GEAR SET 4.88	17100-1,18100-1,34,38RS
S-7490	96625	GEAR SET 5.57	17100-1,18100-1,34,38RS
S-D690	96628	GEAR SET 6.50	SEE 113466
S-6424	96629	GEAR SET 7.17	17120-1,18120-1
S-8245	96641	GEAR SET 3.70	RS340,380,400
S-8246	96642	GEAR SET 4.11	RS340,380,400
S-7920	96644	GEAR SET 4.56	RS340,380,400
S-7921	96645	GEAR SET 4.88	RS340,380,400
S-10512	96797	GEAR SET 4.56	16243-4,16344
S-6427	96798	GEAR SET 4.88	16243-4,16344
S-6428	96799	GEAR SET 5.57	16243-4,16344
S-6429	96833	GEAR SET 3.70	17200-1,17320-1,18220-1,18320-1, 34,38,42RT,RP,R3RT,RP340,380,400,50RT,RP
S-7690	96834	GEAR SET 4.11	17200-1,17320-1,18220-1,18320-1, 34,38,42RT,RP,R3RT,RP340,380,400,50RT,RP
S-7955	96835	GEAR SET 4.33	17200-1,17320-1,18220-1,18320-1, 34,38,42RT,RP,R3RT,RP340,380,400,50RT,RP
S-7491	96836	GEAR SET 4.56	17200-1,17320-1,18220-1,18320-1, 34,38,42RT,RP,R3RT,RP340,380,400,50RT,RP
S-6430	96837	GEAR SET 4.88	17200-1,17320-1,18220-1,18320-1, 34,38,42RT,RP,R3RT,RP340,380,400,50RT,RP
S-7492	96838	GEAR SET 5.29	17200-1,17320-1,18220-1,18320-1, 34,38,42RT,RP,R3RT,RP340,380,400,50RT,RP
S-7722	96839	GEAR SET 5.57	17200-1,17320-1,18220-1,18320-1, 34,38,42RT,RP,R3RT,RP340,380,400,50RT,RP
S-6431	96840	GEAR SET 5.57	17220-1,17320-1,18220-1,18320-1,34,38,42RT,RP,R3
S-E185	96873	GEAR SET 4.11	19,120,121
S-6433	98102	GEAR SET 4.56	19420-123420-1,26420-1,44RS,RSM,RS480,23121,26121
S-7956	98103	GEAR SET 4.88	19420-123420-1,26420-1,44RS,RSM,RS480,23121,26121
S-8248	98104	GEAR SET 5.43	19420-123420-1,26420-1,44RS,RSM,RS480,23121,26121
S-A110	98105	GEAR SET 6.17	19420-123420-1,26420-1,44RS,RSM,RS480,23121,26121
S-9850	98108	GEAR SET 4.11	19220-1,19320-1,20220-1,20320-1,23221,23321, 26221,26321,44RT,RP,RT,RP480,580,650
S-9851	98109	GEAR SET 4.33	19220-1,19320-1,20220-1,20320-1,23221,23321, 26221,26321,44RT,RP,RT,RP480,580,650
S-9852	98110	GEAR SET 4.56	19220-1,19320-1,20220-1,20320-1,23221,23321, 26221,26321,44RT,RP,RT,RP480,580,650
S-6435	98112	GEAR SET 5.43	19220-1,19320-1,20220-1,20320-1,23221,23321, 26221,26321,44RT,RP,RT,RP480,580,650
S-6436	98113	GEAR SET 6.17	19220-1,19320-1,20220-1,20320-1,23221,23321,

LATEST ADDITIONS TO OUR CATALOG

ALL PARTS SUPPLIED ARE S&S/NEWSTAR. USE OF OTHER MANUFACTURERS' NAMES, PART NUMBERS, OR TRADEMARKS ARE FOR INFORMATIONAL AND IDENTIFICATION PURPOSES ONLY. PRICES ARE SUBJECT TO CHANGE OR WITHDRAWAL WITHOUT NOTICE.

NEWSTAR RING GEAR AND PINION SETS

SUITABLE FOR VARIOUS DANA® (FORMERLY EATON) AXLES

NEWSTAR NUMBER	REPLACEMENT FOR PART NUMBER	DESCRIPTION	APPLICATION MODEL	
S-7957	98114	GEAR SET 6.67	26221,26321,44RT,RP,RT,RP480,580,650 19220-1,19320-1,20220-1,20320-1,23221,23321, 26221,26321,44RT,RP,RT,RP480,580,650	
S-8509	98115	GEAR SET 4.11	RT,RP340,380,400,50RT,RP	
S-7922	98116	GEAR SET 4.33	RT,RP340,380,400,50RT,RP	
S-6437	98120	GEAR SET 5.57	RT,RP340,380,400,50RT,RP	
S-8347	98121	GEAR SET 6.14	RT,RP340,380,400,50RT,RP	
S-D739	99507	GEAR SET 6.50	17120-1,18120-1,38RS	
S-D740	99508	GEAR SET 7.17	17120-1,18120-1,38RS	
S-6449	99511	GEAR SET 3.09	2590	
S-6450	99521	GEAR SET 4.11	17100-1,18100-1,34RS	
S-8096	99666	GEAR SET 6.14	17200-1,18200-1,34/38/42RT,RP,R3	
S-9886	104520	GEAR SET 3.90	DS440P,460P	
S-9887	104521	GEAR SET 4.11	DS440P,460P	
S-7959	104524	GEAR SET 5.29	DS440P,460P	
S-8998	104536	GEAR SET 5.29	RS440P,460	
S-7961	107561	GEAR SET 4.88	22220-1,22320-1	
S-7962	107563	GEAR SET 5.57	22220-1,22320-1	
S-8249	107565	GEAR SET 6.50	22220-1,22620-1	
S-8388	111174	GEAR SET 3.55	SEE 127266	1ST GEN
S-8389	111175	GEAR SET 3.70	SEE 127267	1ST GEN
S-8390	111176	GEAR SET 3.90	SEE 127268	1ST GEN
S-8391	111177	GEAR SET 4.11	SEE 127269	1ST GEN
S-6333	111178	GEAR SET 4.33	SEE 127270	1ST GEN
S-9147	111188	GEAR SET 4.11	DP,DT341,381,402	
S-9148	111189	GEAR SET 4.33	DP,DT341,381,402	
S-9428	111502	GEAR SET 3.70	SEE 217998	1ST GEN
S-9429	111503	GEAR SET 3.90	RS381	1ST GEN
S-9430	111504	GEAR SET 4.11	SEE 218000	1ST GEN
S-A209	111505	GEAR SET 4.33	SEE 218001	1ST GEN
S-9150	111515	GEAR SET 4.11	SEE 219012	
S-9151	111516	GEAR SET 4.33	SEE 219013	
S-13030	113451	GEAR SET 6.29	15201	
S-6475	113467	GEAR SET 6.57	17220-1, 18220-1	
S-B922	120973	GEAR SET 6.33	15100	
S-B244	121545	GEAR SET 4.56	19050T	
S-A111	121546	GEAR SET 4.88	19050T	
S-11341	121547	GEAR SET 5.29	19050T	
S-A112	121548	GEAR SET 5.57	19050T	
S-A113	121549	GEAR SET 6.14	19050T	
S-A114	121550	GEAR SET 6.57	19050T	
S-A115	121551	GEAR SET 7.17	19050T	
S-B253	121761	GEAR SET 5.57	19050S	
S-B493	121887	GEAR SET 3.70	RS461	
S-D804	121888	GEAR SET 4.11	RS461	
S-D805	121889	GEAR SET 4.33	RS461	
S-D806	121890	GEAR SET 4.56	RS461	
S-D807	121891	GEAR SET 4.88	RS461	
S-13174	121893	GEAR SET 6.17	RS461,521,601,651	
S-B494	122334	GEAR SET 3.70	DS461P	
S-A624	122335	GEAR SET 4.11	DS461P,521P,581P	
S-A625	122336	GEAR SET 4.33	DS461P,521P,581P	
S-B627	122338	GEAR SET 4.88	DS461P	
S-A460	122388	GEAR SET 4.11	DT461	
S-A874	122391	GEAR SET 4.88	DT461	
S-A462	122395	GEAR SET 4.11	RT461,521,601,651	
S-A463	122396	GEAR SET 4.33	RT461,521,601,651	
S-A464	122397	GEAR SET 4.56	RT461,521,601,651	
S-A875	122398	GEAR SET 4.88	RT461,521,601,651	
S-13179	122399	GEAR SET 5.43	RS461,521,601,651	
S-13177	122400	GEAR SET 6.17	RS461,521,601,651	
S-A721	122665	GEAR SET 3.55	DS461P,521P,581P	
S-A721	122667	GEAR SET 3.55	DS461P,521P,581P	
S-B629	123333	GEAR SET 3.90	DS461P	
S-B628	123334	GEAR SET 3.90	RS461P	
S-8383	127253	GEAR SET 3.55	RS341,381,401,402,451	2ND GEN
S-8384	127254	GEAR SET 3.70	SEE 217998	2ND GEN
S-8385	127255	GEAR SET 3.90	SEE 217999	2ND GEN
S-8386	127256	GEAR SET 4.11	SEE 218000	2ND GEN
S-8387	127257	GEAR SET 4.33	SEE 218001	2ND GEN

NEW★STAR RING GEAR AND PINION SETS

SUITABLE FOR VARIOUS DANA® (FORMERLY EATON) AXLES

NEW★STAR NUMBER	REPLACEMENT FOR PART NUMBER	DESCRIPTION	APPLICATION MODEL	
S-9309	127258	GEAR SET 4.56	SEE 218002	2ND GEN
S-9375	127259	GEAR SET 4.88	SEE 218003	2ND GEN
S-9179	127260	GEAR SET 5.29	SEE 218004	2ND GEN
S-9228	127262	GEAR SET 6.14	RS341,381,401,402,451	2ND GEN
S-9876	127265	GEAR SET 3.36	SEE 217980	2ND GEN
S-8388	127266	GEAR SET 3.55	DS341,381,402,451	2ND GEN
S-8389	127267	GEAR SET 3.70	DS341,381,405,451	2ND GEN
S-8390	127268	GEAR SET 3.90	SEE 217983	2ND GEN
S-8391	127269	GEAR SET 4.11	SEE 217984	2ND GEN
S-6333	127270	GEAR SET 4.33	SEE 217985	2ND GEN
S-9215	127271	GEAR SET 4.56	SEE 217986	2ND GEN
S-9217	127273	GEAR SET 5.29	SEE 217998	2ND GEN
S-E297	211466	GEAR SET 3.36	DS404, 405, 454	
S-A976	211467	GEAR SET 3.55	DS404, 405, 454	
S-A977	211468	GEAR SET 3.70	DS404, 405, 454	
S-A978	211469	GEAR SET 3.90	DS404, 405, 454	
S-A979	211470	GEAR SET 4.11	DS404, 405, 454	
S-C175	211471	GEAR SET 4.33	DS404, 405, 454	
S-E234	211472	GEAR SET 4.63	DS404, 405, 454	
S-10127	211482	GEAR SET 3.36	RS404, 405, 454	
S-A980	211483	GEAR SET 3.55	RS404, 405, 454	
S-A981	211484	GEAR SET 3.70	RS404, 405, 454	
S-A982	211485	GEAR SET 3.90	RS404, 405, 454	
S-A983	211486	GEAR SET 4.11	RS404, 405, 454	
S-D426	211487	GEAR SET 4.33	RS404, 405, 454	
S-E235	211488	GEAR SET 4.63	RS404, 405, 454	
S-F176	211490	GEAR SET 5.29	RS404, 405, 454	
S-9876	217980	GEAR SET 3.36	DS402	3RD GEN
S-A986	217983	GEAR SET 3.90	DS402	3RD GEN
S-A987	217984	GEAR SET 4.11	DS402	3RD GEN
S-A988	217985	GEAR SET 4.33	DS402	3RD GEN
S-A690	217986	GEAR SET 4.56	DS402	3RD GEN
S-F002	217987	GEAR SET 4.88	DS402	3RD GEN
S-A089	217988	GEAR SET 5.29	DS402	3RD GEN
S-9843	217996	GEAR SET 3.36	RS402 LATE EXTENDED SPLINE	3RD GEN
S-A989	217997	GEAR SET 3.55	RS402 LATE EXTENDED SPLINE	3RD GEN
S-9393	217998	GEAR SET 3.70	RS402 LATE EXTENDED SPLINE	3RD GEN
S-A990	217999	GEAR SET 3.90	RS402 LATE EXTENDED SPLINE	3RD GEN
S-A991	218000	GEAR SET 4.11	RS402 LATE EXTENDED SPLINE	3RD GEN
S-A209	218001	GEAR SET 4.33	RS402 LATE EXTENDED SPLINE	3RD GEN
S-A873	218002	GEAR SET 4.56	RS402 LATE EXTENDED SPLINE	3RD GEN
S-C436	218003	GEAR SET 4.88	RS402 LATE EXTENDED SPLINE	3RD GEN
S-9637	218004	GEAR SET 5.29	RS402 LATE EXTENDED SPLINE	3RD GEN
S-D463	218998	GEAR SET 3.55	DP,DT402	
S-D464	218999	GEAR SET 3.70	DP,DT402	
S-D465	219000	GEAR SET 3.90	DP,DT402	
S-11958	219003	GEAR SET 4.56	DS,DT402	
S-D466	219009	GEAR SET 3.55	RP,RT402	
S-D467	219010	GEAR SET 3.70	RP,RT402	
S-D468	219011	GEAR SET 3.90	RP,RT402	
S-11485	219012	GEAR SET 4.11	RP,RT402	
S-D469	219013	GEAR SET 4.33	RP,RT402	
S-10061	219014	GEAR SET 4.56	RP,RT402	

LATEST ADDITIONS TO OUR CATALOG

ALL PARTS SUPPLIED ARE S&S/NEWSTAR. USE OF OTHER MANUFACTURERS' NAMES, PART NUMBERS, OR TRADEMARKS ARE FOR INFORMATIONAL AND IDENTIFICATION PURPOSES ONLY. PRICES ARE SUBJECT TO CHANGE OR WITHDRAWAL WITHOUT NOTICE.

NEWSTAR GEAR AND MISCELLANEOUS PARTS

SUITABLE FOR VARIOUS DANA® (FORMERLY EATON) AXLES

NEWSTAR NUMBER	REPLACEMENT FOR PART NUMBER	DESCRIPTION	APPLICATION MODEL
S-6339	13385	SUPPORT CASE, LH	15040P,T
S-6340	14935	IDLER PIN	16244
S-6341	14938	DOWEL PIN	16220,16244
S-6342	14949	BEARING ADJUSTER LOCK	16244
S-6461	18167	SPIDER	SEE 107371
S-7373	18198	WASHER QTY PKG 4	DS480
S-6344	18199	WASHER QTY PKG 4	DS480
S-4115	18346	WASHER	16244
S-2607	20766	SPIDER	15201
S-6346	20821	IDLER PIN	15200
S-5516	20850	WASHER	15201
S-6347	25968	WASHER QTY PKG 10	DS340,400
S-6348	25971	SPIDER	16244
S-3161	27810	WASHER QTY PKG 12	17,18,34,38
S-11769	27274	WASHER	23105,23121,26121,DS461P,480P,481P,44DS,RS
S-3162	27827	WASHER	SEE 127386
S-5794	27835	PINION	17,18221
S-6080	27859	SUPPORT CASE, LH	16220
S-7374	27860	CASE	SEE 126009
S-1978	27861	IDLER PIN	17,18,22220
S-7375	27875	IDLER GEAR	16220
S-7376	27952	PINION	44DP,23202,221,321,26221, 321DP,DT460P,481P
S-5793	27953	IDLER PIN	DP,DT481P,DP,DT460P,44DP, 23202,221,321,26221,321
S-5992	32364	SCREW ASSY	15200,23221
S-6352	32401	BEARING	PART OF 122000
S-8291	32613	FORK ASSY	17,18 SERIES
S-1929	32861	SWITCH PUSH PULL	15200,23221
S-6355	34779	KIT	DS340,400
S-5513	37069	SIDE GEAR	18,38
S-5795	37071	PINION GEAR	17,18,34,38
S-5796	37072	SIDE GEAR	17,34
S-3330	38208	AXLE SHAFT	38DP,RP,DS,RS
S-7379	38289	SPIDER	17,18,34,38
S-5679	38315	INSULATOR	PART OF 122000
S-8883	40635	MOTOR 2-SPEED	15200,23221
S-7818	43243	SIDE GEAR	18812
S-3166	43270	WASHER	17,18,22221,50DP,RP,34D3B,34R3B,DT
S-5680	43271	THRUST WASHER	18202,222,322
S-6462	43588	SHIM .003 QTY PK 10	SEE 107567
S-6359	43981	AXLE SHAFT	18202,18222,RA192
S-6360	43982	AXLE SHAFT	182,021,822,218,322
S-1712	43983	AXLE SHAFT	182,021,822,218,322
S-6361	44006	AXLE SHAFT	RA146,17202
S-6362	44007	AXLE SHAFT	RA146,17202
S-2000	45476	SIDE GEAR	DS340,400
S-5375	45478	WASHER	DS340,400
S-8221	45480	CLUTCH	DS,DT341,DP,SD,DT381, 500DP,34DSB,DT,401P
S-10451	45481	COVER	34,38DS,DS381,401,402,451,DS340,380
S-6365	45498	SHIM .003 QTY PK 10	DS,DT341/DP,DS,DT381,P 50DP,34D3B/DP,DS,DT401P
S-6366	45499	SHIM .010 QTY PK 10	DS,DT341/DP,DS,DT381,P, 50DP/34D3B/DP,DS,DT401P
S-6367	45859	FORK	DS340,400
S-5682	46526	O-RING QTY PKG 10	34,38D,DS340,341,380,381
S-8931	46805	12VOLT SOLENOID	
S-6368	46977	GEAR	DS340,400
S-5791	48922	BUSHING	44DP/DS34D3B/DS,DT341, 381P/DP,DS,DT401P,460P481P
S-5582	49838	SHIFT KIT	SEE 122000
S-A752	51228	BUSHING	DP,DS,DT461P
S-7380	51559	DIFF. CASE	16220,244
S-8723	52112	CASE	15200-15201
S-5753	54254	MAGNETIC PLUG	MULTIPLE APPLICATION
S-3164	54676	WHEEL LOCK	17,18,34,38DS
S-8951	56360	WASHER	DP,DS,DT460P,481P,44DP,DS DT481P,460P,44P,DP580P,650P
S-5886	56928	CLUTCH PLATE	23202,221,321,26221,321,440P, 460P,481P,580P,650P
S-5887	56929	ADJUSTER	23202,221,321,26221,321,440P DT460P,481P,DP580P,650P
S-5626	56930	SL. CL. GEAR	SEE 113593
S-5882	56931	PLATE	17,18,22220
S-5883	56932	ADJUSTER	17220,18220,22220
S-5515	56933	SL. CL. GEAR	SEE 113596

LATEST ADDITIONS TO OUR CATALOG

ALL PARTS SUPPLIED ARE S&S/NEWSTAR. USE OF OTHER MANUFACTURERS' NAMES, PART NUMBERS, OR TRADEMARKS ARE FOR INFORMATIONAL AND IDENTIFICATION PURPOSES ONLY. PRICES ARE SUBJECT TO CHANGE OR WITHDRAWAL WITHOUT NOTICE.

NEWSTAR GEAR AND MISCELLANEOUS PARTS

SUITABLE FOR VARIOUS DANA® (FORMERLY EATON) AXLES

NEWSTAR NUMBER	REPLACEMENT FOR PART NUMBER	DESCRIPTION	APPLICATION MODEL
S-3116	56980	AXLE SHAFT	34DS,17120,17220
S-3330	56981	AXLE SHAFT	38DP,RP,DS,RS
S-6371	58975	AXLE SHAFT	16244
S-6374	60608	KIT-SLIDING CL.	17,18221
S-6375	60609	KIT-SLIDING CL.	19,23,44D,D440P,480P
S-A678	62040	TWO SPEED REDUCTION KIT	34,38,42DP,RP/DP,RP340,380,400
S-6377	62165	AXLE SHAFT	17200,220,34DS
S-6378	62166	AXLE SHAFT	38D,18120,220
S-5318	64085	SEAL	SEE 119855
S-3330	64130	AXLE SHAFT	SEE 56981
S-7382	64939	SIDE GEAR	16244-FORD ANGULAR 16 SPLINE
S-7383	64941	PINION GEAR	16244
S-7932	64943	GEAR KIT	USE EAR 102740
S-5813	64944	SIDE GEAR	16244-16 STRAIGHT SPLINE
S-6380	64947	GEAR KIT	16244-16 STRAIGHT SPLINE
S-6381	65360	AXLE SHAFT	15200
S-5611	67592	NUT	17,18,34,38,40
S-6383	70709	SHIM .005 QTY PK 10	DS,DT341/DP,DS,DT381,P,50DP/34D3B/DP,DS,DT401P
S-5374	70745	BOLT KIT	17,18,34,38,40
S-7388	74021	SL. CL. GEAR	SEE 113629
S-5832	74022	ADJUSTER	16220
S-5831	74023	PLATE	16244
S-6063	74054	SL. CL. GEAR	SEE 113599
S-6385	74055	ADJUSTER	15200
S-6386	74056	PLATE	15201
S-7386	74057	PINION	15021
S-6387	74991	GEAR	DS340,400
S-9650	74991-381	HYBRID PINION DRIVE GEAR	DS340,380,400
S-6095	75063	BUSHING	DS,DP,DT481P,DS,DT,DP460P,44DS,DP,DP580P,650P
S-8747	78863	GEAR AND BUSHING ASSY.	DP,DS,DT481P,DS,DT460P,44DS,DP
S-6392	78911	SIDE GEAR	DP,DS,DT481P,DP,DS,DT460P,44DP,DS
S-A103	78915	HELICAL GEAR	DP,DS481P,460P,DP,DT460P
S-A531	78917	SLIDING CLUTCH GEAR	DP,DS,DT460P,DS,DT481P,44DP,DS
S-8663	78931	O-RING	DS,DP,DT440,460,480,461,44DS,DP,DT
S-8010	79034	THRUST WASHER	DP,DS,DT 460P,481P,44DP,DS, DP580P,650P
S-6378	81216	AXLE SHAFT	SEE 62166
S-6395	81737	CAGE & CUP	1350,13800
S-B845	83726	THRUST WASHER	23070S,23080P,35327,DP,DT,RP,RT461P,485P,521P,550P
S-5848	83799	NUT	44DS
S-C593	84508	SHIFT FORK	44DT-RP,DT-RP-461
S-6396	85358	GEAR KIT	18,38
S-A753	85404	WASHER	50DP/DP,DS,DT341,380,381,401,402,451
S-5684	85429	THRUST WASHER	DP,DS,DT381,401P,50DP,DS,DT381P,341
S-7387	85432	HEL. GR. ASSY.	DS340,400
S-6397	85436	GEAR	DS340,400
S-5894	85437	WASHER QTY PKG 16	DP,DS,DT381,DP,DS,DT401,DS341
S-A650	85439	BEARING	USED W/ 72487
S-6398	85486	SIDE GEAR	DS,RS400
S-3813	85909	GEAR	30,34,38DS
S-5686	85991	BUSHING	DS,DT341,381P,DP,DS,DT381,401P
S-7495	85992	WASHER	DS341,381,401
S-5687	85994	SNAP RING QTY PKG 25	DP,DS,DT460P,381P,401P,DP580P
S-6399	85995	CARRIER W/ CAPS	650P,50DP,DS,DT341,3403B
S-8377	85997	SNAP RING	SEE 113644
S-A754	86781	WASHER QTY PK OF 4	DS,DT341,381,381P,50DP,401P
S-7652	86784	SIDE GEAR	DP485P,DS461P,RS461,466,DS466P,23421,23105,2642
S-6402	91850	DIFF. CASE ASSEMBLY	DS480,44DS,23120
S-10049	93401	SIDE GEAR	34,38DS
S-6403	94800	DIFF. CASE ASSEMBLY (1/2" BOLT HOLES)	23121,26121,DS461P,480P,521P,581P
S-5614	95203	NUT	DS340,380/3.70 TO 5.29 RATIOS
S-5615	95204	NUT	15200
S-5616	95205	NUT	16244
S-5617	95206	NUT	17,34
S-5618	95207	NUT	17,18,34,38
S-5619	95209	NUT	DS340,400
S-6404	95210	PINION GEAR	DS480P
S-5481	95211	BUSHING QTY PKG 4	DS340,400
S-6405	95212	SPIDER CROSS	DS340,400
S-6406	95213	CASE ASSEMBLY	DS340,400
S-5976	95214	PINION GEAR	DS340,400
S-5754	95215	BRONZE BUSHING QTY 4	DP,DS,DT381,401P,DS,DT341,401P

LATEST ADDITIONS TO OUR CATALOG

ALL PARTS SUPPLIED ARE S&S/NEWSTAR. USE OF OTHER MANUFACTURERS' NAMES, PART NUMBERS, OR TRADEMARKS ARE FOR INFORMATIONAL AND IDENTIFICATION PURPOSES ONLY. PRICES ARE SUBJECT TO CHANGE OR WITHDRAWAL WITHOUT NOTICE.

NEWSTAR GEAR AND MISCELLANEOUS PARTS

SUITABLE FOR VARIOUS DANA® (FORMERLY EATON) AXLES

NEWSTAR NUMBER	REPLACEMENT FOR PART NUMBER	DESCRIPTION	APPLICATION MODEL
S-6407	95216	SPIDER	DS340,380,400
S-8749	95217	CASE ASSEMBLY	SEE 213608
S-6408	95218	PINION GEAR	44D
S-5499	95219	BUSHING QTY PKG 4	44DS
S-6409	95220	SPIDER	44D
S-3929	95262	NUT	23221,26121,221,44DP,DS,DP,DS,DT460P,DP,DS,DT481P
S-7493	95371	KIT-SLID. CL.	16,220,244
S-7450	96380	KIT-I/A DIFF.	34D3B
S-6417	96381	KIT-I/A DIFF.	DS,DT341,381P,DP,DS,DT381,401P,50DP
S-6418	96382	KIT-I/A DIFF.	44D
S-6432	96900	PINION GEAR	23202
S-7494	98089	SLIDING CLUTCH KIT	15200
S-7653	98257	SIDE GEAR	23121
S-7685	98581	KIT-WHL. DIFF.	23121
S-D409	98584	CASE ASSEMBLY	23220-1,26085P,T,44DT-RT,DT-RT480, DT,RP440,460
S-5991	98603	KIT-OUTPUT SHAFT	DS340,400
S-6439	98693	INPUT SHAFT W/ NUT	DS34,38
S-6440	98695	INPUT SHAFT W/ NUT	DS,DT440,480P
S-6443	98850	KIT-WH. DIFF.	17120,34D
S-8343	98852	KIT-WH. DIFF.	18812
S-6444	98853	KIT-WH. DIFF.	DS400
S-9553	99041	BEARING & SEAL KIT	34,38,RP,RT
S-9558	99044	BEARING & SEAL KIT	34,38DS
S-9567	99045	BEARING & SEAL KIT	DP,DS,DT340,380,400
S-9555	99050	BEARING & SEAL KIT	16244,247,344,16220
S-9552	99051	BEARING & SEAL KIT	34,38,42RP,RS,RT340,380,400,17,18 SERIES
S-9554	99096	BEARING & SEAL KIT	44RS,23130,23131
S-5833	101878	CASE ASSEMBLY	17220,18220,22220
S-6452	102500	PINION GEAR	16 SERIES
S-7923	102511	SIDE GEAR	13,15
S-6453	102512	PINION GEAR	15201
S-9323	102613	FORK ASSEMBLY	DT,DP,DS341P W/ LUBE PUMP DT,DP,DS381P,401P W/ LUBE PUMP DT,DP,DS,340,380,400P 15200,16 ANGULAR SPLINE
S-7683	102737	KIT-WHL. DIFF.	13,15
S-7924	102738	KIT-WHL. DIFF.	16244-STANDARD STRAIGHT SPLINE
S-6454	102739	KIT-WHL. DIFF.	16244-FORD ANGULAR 16 SPLINE
S-6455	102740	KIT-WHL. DIFF.	DS340,400
S-3814	103289	INPUT SHAFT W/ NUT	SEE 37071
S-5795	104139	PINION GEAR	44DS
S-6457	104456	INPUT SHAFT W/ NUT	SEE 213608
S-8749	104509	CASE ASSEMBLY	44DP,DS,DT/DP,DT440,460,480/DS440,460,480
S-B249	104597	LOADED CASE ASSEMBLY	RATIOS 3.36-5.29 DS,RS340,380,400,341,401,451
S-B498	106397	CASE ASSEMBLY	DS381,401,402,451P
S-10398	106368	REPAIR KIT	44DS,DP,DT,DS,DT440,460,480
S-B250	106470	CASE ASSEMBLY	DS340,380,400 W/ LUBE PUMP
S-6459	106709	INPUT SHAFT W/ NUT	DS340,380 FOR 3.70 THRU 5.29
S-6403	106974	DIFF. CASE ASSY (1/2" BOLT HOLES)	
S-7667	107276	TUBE KIT	GASKET MAKER
S-6461	107371	SPIDER	23121
S-9068	107496	CAGE ASSEMBLY	RS341,402,451 BUILT AFTER 4-6-89 RATIOS 3.08,3.25,3.36,3.90 THRU 7.17
S-6462	107567	SHIM .003 (QTY PK 10)	16244
S-6463	107568	SHIM .005 (QTY PK 10)	16,17,21,22
S-6464	107569	SHIM .010 (QTY PK 10)	16,17,21,22
S-9559	107670	BEARING & SEAL KIT	44RP,RT,19220,221,RP,RT440,460,480
S-10399	107672	REPAIR KIT	DS440,460,480P
S-C002	108141	SPIDER CROSS	DT,RP461,485,DP,RP580,650,26085T,P,30055,35055T,P
S-C051	108142	PINION GEAR	23070S,23080P,T,35327,DP,RP550P,580P,650P,ETC
S-B951	108145	THRUST WASHER	23070S,23080P,T,35327,DP,DT461P,485P,521P,601P,651
S-6466	109237	CAPSCREW	15040T,15200
S-6467	109238	CAPSCREW	19050T,16244
S-5834	110148	CASE 1/2	22221,321
S-7931	110243	ADJUSTER	22221,321
S-8359	110522	SIDE GEAR	15200
S-6468	110524	SIDE GEAR	16244
S-7905	110525	SIDE GEAR	DS,RS341
S-5689	110527	SIDE GEAR	22421,DT381
S-5690	110528	SIDE GEAR	DS,DT440P
S-D699	110733	CAGE ASSEMBLY	DP,DS,DT341,381,401,402
S-6469	110810	SIDE GEAR	DS,DT341,DP,DS,DT381,DP,DS,DT401P
S-6480	110818	SHAFT BUSHING ASSY	SEE 115123
S-D724	110826	COVER ASSEMBLY	DS402

LATEST ADDITIONS TO OUR CATALOG

ALL PARTS SUPPLIED ARE S&S/NEWSTAR. USE OF OTHER MANUFACTURERS' NAMES, PART NUMBERS, OR TRADEMARKS ARE FOR INFORMATIONAL AND IDENTIFICATION PURPOSES ONLY. PRICES ARE SUBJECT TO CHANGE OR WITHDRAWAL WITHOUT NOTICE.

NEWSTAR GEAR AND MISCELLANEOUS PARTS

SUITABLE FOR VARIOUS DANA® (FORMERLY EATON) AXLES

NEWSTAR NUMBER	REPLACEMENT FOR PART NUMBER	DESCRIPTION	APPLICATION MODEL
S-8241	110844	OUTPUT HELICAL GEAR	SEE 128042
S-6471	110845	PINION	DS341,381,401
S-6980	110880	AXLE SHAFT	F106
S-6472	110882	AXLE SHAFT	34D,D340,341,17221
S-6473	110884	AXLE SHAFT	18,22,38,380,381
S-A748	110885	AXLE SHAFT	23321,26221,321,421,431,23121,H172
S-6474	110886	AXLE SHAFT	17,34,340,341
S-8436	110888	AXLE SHAFT	DS-381,RS-381
S-F124	110889	AXLE SHAFT	DS, RS-461
S-F125	111544	AXLE SHAFT	15040S, T
S-C295	113329	HELICAL GEAR	DP,DS,DT440P,460P,480P
S-A508	113331	HELICAL GEAR & BUSHING ASSY	DP,DS,DT461P,DP,DT460P,DS,DT481P, DS480P,446P
S-8575	113556	HELICAL GEAR, PINION	DS380,381,400,401,DT380,381,400,401
S-8882	113561	HELICAL GEAR KIT	DS341,381,401
S-5626	113593	SL. CL. GEAR	23201,221,26221,DT460P,481P
S-A255	113594	SLIDING CLUTCH	DT485
S-5515	113596	SL. CL. GEAR	17,18
S-9081	113598	SUN GEAR	DP,DT,RP,RT381
S-6063	113599	SL. CL. GEAR	15201
S-7388	113629	SL. CL. GEAR	16244
S-6399	113644	CARRIER W/ CAPS	19050T
S-9733	113645	AXLE SHAFT	16244
S-C634	113743	SHIFT HOUSING ASSEMBLY	2-SPEED
S-5691	113744	CIRCUIT BOARD ASSY.	2-SPEED
S-6058	113745	SHIFT MOTOR	2-SPEED, NEW STYLE
S-A760	113753	HARNES & CONNECTOR	2-SPEED
S-A761	113759	SLIDER & SHAFT ASSY	2-SPEED SHIFT MOTOR
S-6476	113800	COUPLING FORK SHAFT	15200,16244
S-5692	114242	GEAR KIT	16 SERIES
S-6477	114245	GEAR KIT LESS SPIDER	16 SERIES
S-9571	114394	BEARING & SEAL KIT	DS,341,381,381P,401P
S-7686	114467	GEAR KIT	15201
S-7925	114469	GEAR KIT	DS,RS341
S-5693	114470	GEAR KIT	DS381,P,401P,18,21,22,38,380,381,402
S-8174	114474	GEAR KIT	DS440P,460P,23,26
S-6478	114479	GEAR KIT LESS SPIDER	DS381,P,401P,18,21,22,38,380,381,402
S-6479	115122	INPUT SHAFT ASSY	DS341,381,401
S-6480	115123	OUTPUT SHAFT ASSY	DS341,381,401
S-6481	115126	INPUT SHAFT ASSY	DS341,381,401P
S-6482	116568	SUPPORT CASE KIT	22221,321
S-7831	118748	GEAR KIT	17,18,21,38,380,381,401,402
S-9157	118806	SLOTTED PINION NUT	DS,DT,DP341,381,401,402,451
S-9159	118807	ROLL PIN (QTY PK 10)	USE WITH 118806
S-6981	118866	AXLE SHAFT	F106
S-C052	118959	SIDE GEAR	23070S,23105S,30105S,DP,DT,RP,RT461P,485P,521P
S-D849	119393	GEAR KIT	DT,RT461
S-5366	119427	OIL SEAL	DP,DS,DT340,341,380,381,DS400P,401P,16244
S-8250	119429	OIL SEAL	DP,DS381P,DP401P,DS,DT481P
S-7207	119431	OIL SEAL	DS340,341,380,381
S-5694	119432	OIL SEAL	23121,421,481,17401,21
S-5366	119457	OIL SEAL	DP,DS,DT340,341,380,381,DS400P,401P,16244
S-9511	119594	AXLE SHAFT	22065S,G190S,M220S,M190T,M210T,21121, 17421,17221,17202,17222,340SB,DT,DS341 DP,DS,DT,RP,RS,RT381,402
S-8903	119595	AXLE SHAFT	DP,DS,DT,RP,RS,RT381,402
S-5318	119855	OIL SEAL	2-SPEED
S-E783	119927	AXLE SHAFT	19055S-D
S-13602	119948	SLIDING CLUTCH	DS,DP,DT440P,460P,461P,480P,485P,521P,601P,651P
S-A187	119995	HELICAL GEAR	DP,DS,DT461P,DS466P,DT521P,
S-A762	120750	SHIFT UNIT ASSY	2-SPEED SHIFT MOTOR
S-10092	121302	REPAIR KIT	DS,DT461P,521P,581P, NO COVER AND BOLTS
S-B251	121681	DIFF CASE ASSEMBLY	DP,DS,DT461,521,581
S-9970	121748	GEAR KIT	19050S,T
S-A680	121749	DIFF KIT	LESS SIDE GEARS 19050S,T
S-11196	121785	GEAR KIT	23070S,23105S,30105S,DP,DT,RP,461P,485P,521P
S-5582	122000	SHIFT KIT	2-SPEED
S-A257	122418	INPUT SHAFT	DP,DS461P,DT461P,DS466P,DT521P
S-A555	122419	OUTPUT SHAFT	DS,DT461,521,581,601,651
S-D848	122420	REPAIR KIT	DT,RT461
S-9780	126000	SIDE GEAR	19050S,T
S-9781	126001	PINION GEAR	19050S,T
S-9853	126002	SPIDER	19050S,T
S-9829	126003	WASHER	19050T
S-A563	126004	WASHER	19050T

LATEST ADDITIONS TO OUR CATALOG

ALL PARTS SUPPLIED ARE S&S/NEWSTAR. USE OF OTHER MANUFACTURERS' NAMES, PART NUMBERS, OR TRADEMARKS ARE FOR INFORMATIONAL AND IDENTIFICATION PURPOSES ONLY. PRICES ARE SUBJECT TO CHANGE OR WITHDRAWAL WITHOUT NOTICE.

NEWSTAR GEAR AND MISCELLANEOUS PARTS

SUITABLE FOR VARIOUS DANA® (FORMERLY EATON) AXLES

NEWSTAR NUMBER	REPLACEMENT FOR PART NUMBER	DESCRIPTION	APPLICATION MODEL
S-7451	126008	IDLER PIN	19050T
S-9472	126009	CASE	19050T
S-B846	126152	SPIDER	DS461P,521P,581P,DP, DT461P,521P,601P,651P
S-8956	126155	NUT,INPUT SHAFT	DS461,521-581-P,DT461,521-581-P
S-B847	126180	THRUST WASHER	DP,DS,DT461P,521P,581P
S-A135	126182	PINION NUT (METRIC)	DP,DS,DT461P,DP401P,DT402P,DS402,DS404,DS466P
S-B844	126255	SLIDING CLUTCH GEAR	RP,RT461,521,601,651
S-9218	126274	AXLE SHAFT	19050T-S
S-E984	126302	IDLER PIN	DT, RT461
S-5887	126305	ADJUSTER	23202,221,321,26221,321,44DP,DT460P 481P,DP580P,650P
S-A465	126306	IDLER PINION	DT,RT461,521,581,601,651
S-C388	126307	CLUTCH PLATE	23080P,T,DP,DS461P,521P,601P,651P,RP,RT461,521,601
S-A791	127051	BEARING	DS402
S-B425	127138	AXLE SHAFT	DS4461P
S-11194	127359	SPIDER	DS404
S-11193	127364	PINION GEAR	DS404
S-D474	127368	SIDE GEAR	DS404
S-B953	127386	WASHER	DS404,454,RS404,454
S-D884	127437	AXLE SHAFT	DS404,RS404
S-D885	127438	AXLE SHAFT	DS404,RS404
S-A919	127495	HELICAL GEAR & BUSHING ASSY	DS404
S-C306	127510	SLIDING CLUTCH GEAR	DS344,404(P),454P,DD404(P),454P
S-A789	127523	PINION DRIVE GEAR	DS404,454
S-F028	127545	O-RING	DS404
S-B025	127588	OUTPUT SHAFT NUT	DS404
S-9833	127589	HEX NUT (METRIC)	PINION SHAFT 19055S,22065S,21060S,RS404,RD404
S-B140	127591	OIL SEAL	DS404
S-B141	127592	OIL SEAL	DS404
S-F083	127595	SHIM .003	DS404
S-F084	127596	SHIM .005	DS404
S-F085	127597	SHIM .010	DS404
S-F086	127598	SHIM .020	DS404
S-F087	127599	SHIM .030	DS404
S-D675	127645	SIDE GEAR	DS404
S-7872	127719	OIL SEAL, NEW STYLE	DP,DS381,DP401P,DS,DT481P
S-7207	127720	OIL SEAL	DS340,341,380,381
S-5366	127721	OIL SEAL	DP,DS,DT340,341,380,381,DS400P,401P,16244
S-9062	127783	SPIDER	DS341,381,402,451
S-B952	127785	WASHER	DS341,402,P,451P,DP,DT341,381,P,401P,402,P,451P
S-5516	127837	WASHER	15201
S-6364	128016	CLUTCH GEAR	DS,DT341,DP,DS,DT381,DT401P,50DP,34DSB
S-8241	128042	OUTPUT HELICAL GEAR	DS341,381,401
S-A794	128049	PINION METRIC NUT	DS404,23080D,S,23085D,S
S-E633	128516	AXLE SHAFT	DS454,RD404,22060S,D
S-C385	128634	CASE ASSEMBLY	DS344,404,P
S-10176	128702	THRUST WASHER	DS404,RS404
S-E035	128703	OIL SEAL	DS404
S-B954	129305	WASHER	DS404,454,RS404,454
S-F042	129594	SNAP RING	DS404
S-E120	129783	SHIFT FORK	DS404
S-8373	210508	PINION NUT	23070P,T,26085,P,T,30,35055P,RS461,521,581/RT,RP461,521,601,651
S-9218	210512	AXLE SHAFT	19050T-S
S-9218	210628	AXLE SHAFT	19050T-S
S-12000	210736	OIL SEAL	DS461P,521P,581P,DT,DT461P,521P,601P,651P
S-12001	210737	OIL SEAL	DS461P,521P,581P
S-8008	211319	KIT	2-SPEED BOARD & COVER W/ HDWE
S-12095	211634	COVER & SEAL ASSY.	DS341,381,402 W/O LUBE PUMP
S-E028	213176	END YOKE W/ SEAL	DS402-1.75"-34 SPLINES
S-E134	213177	END YOKE W/ SEAL	DS402-1.75"-34 SPLINES-HI ANGLE
S-C539	213179	END YOKE W/ SEAL	HI-ANGLE 2.024"-39 SPLINE-DS402
S-E125	213181	END YOKE W/ SEAL	RS402- 2.016-39 SPLINES
S-8749	213608	COMP. DIFF. ASSY.	DS340,341,380,381
S-F022	216220	OVERHAUL KIT	DS404
S-12100	216221	OVERHAUL KIT	RS404
S-A920	216226	INPUT SHAFT KIT	DS404
S-A870	216227	OUTPUT SHAFT KIT	DS404
S-E712	216229	GEAR KIT	DS404
S-C303	508652	METRIC BOLT KIT	DS404,RS404
S-F521	508653	CASE ASSEMBLY	DS404 RATIOS 2.64 TO 3.25
S-E316	508654	CASE ASSEMBLY	DS404,454 RATIOS 3.36 TO 3.90
S-E317	508655	CASE ASSEMBLY	DS404,454 RATIOS 4.11 TO 4.88

LATEST ADDITIONS TO OUR CATALOG

ALL PARTS SUPPLIED ARE S&S/NEWSTAR. USE OF OTHER MANUFACTURERS' NAMES, PART NUMBERS, OR TRADEMARKS ARE FOR INFORMATIONAL AND IDENTIFICATION PURPOSES ONLY. PRICES ARE SUBJECT TO CHANGE OR WITHDRAWAL WITHOUT NOTICE.

NEW★STAR GEAR AND MISCELLANEOUS PARTS

SUITABLE FOR VARIOUS DANA® (FORMERLY EATON) AXLES

NEW★STAR NUMBER	REPLACEMENT FOR PART NUMBER	DESCRIPTION	APPLICATION MODEL
S-8174	935289	GEAR KIT	DS440P,460P,23,26
S-F312	935735	OIL SEAL	15201
S-9698	DS-402-FSKL	REPAIR KIT	DS402
S-E110	DS-402-FSKLP	REPAIR KIT W/ PUMP	DS402
S-D678	DS-404-FSKL	REPAIR KIT	DS404
S-9552	RA1	BEARING & SEAL KIT	34,38,42,RP,RS,RT340,380,400
S-9553	RA1A	BEARING & SEAL KIT	34,38,RP,RT W/ CONICAL CARRIER
S-9554	RA18A	BEARING & SEAL KIT	44RS,23130,23131
S-9555	RA23D	BEARING & SEAL KIT	16444,247,344,16220 W/ 15 1/2 RING GEAR
S-9558	RA64FD	BEARING & SEAL KIT	34,38DS, W/ CONICAL CARRIER
S-9559	RA72A	BEARING & SEAL KIT	44RP,RT,19-220,221,RP,RT440,460,480
S-9571	RA196	BEARING & SEAL KIT	DS341,381,P,401,P
S-9755	RA207	BEARING & SEAL KIT	DP,DT341,381,P401P,402,P,451 P,
S-B069	RA208	BEARING & SEAL KIT	DS440P,460P,461P,521P,581P
S-A087	RA210	BEARING & SEAL KIT	DP,DT440P,DT460P,DP480P
S-B008	RA211F	BEARING & SEAL KIT	PP461P,DT461P,DP,DT485P,521P,601P,651P
S-C672	RA219R	BEARING & SEAL KIT	RP,RT461,521,601
S-9579	RA222F	BEARING & SEAL KIT	DS341,402,451 AFTER 4/6/89
S-9580	RA222R	BEARING & SEAL KIT	RS341,402,451 AFTER 4/6/89
S-B937	RA404F	BEARING & SEAL KIT	DS404
S-B938	RA404R	BEARING & SEAL KIT	RS404

LATEST ADDITIONS TO OUR CATALOG

ALL PARTS SUPPLIED ARE S&S/NEWSTAR. USE OF OTHER MANUFACTURERS' NAMES, PART NUMBERS, OR TRADEMARKS ARE FOR INFORMATIONAL AND IDENTIFICATION PURPOSES ONLY. PRICES ARE SUBJECT TO CHANGE OR WITHDRAWAL WITHOUT NOTICE.

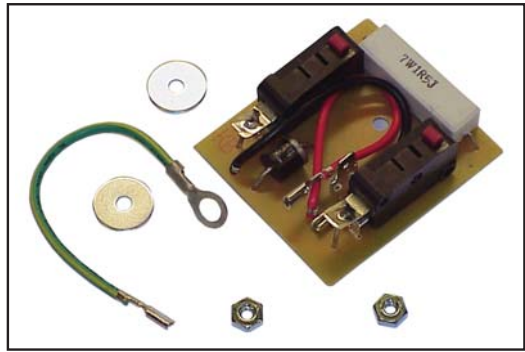
NEW★STAR TWO SPEED PARTS

SUITABLE FOR DANA® (FORMERLY EATON) AXLES

CIRCUIT BOARD

NEW★STAR NO. S-5691

REPLACEMENT FOR PART NUMBER: 113744



SHIFT MOTOR

NEW★STAR NO. S-6058

REPLACEMENT FOR PART NUMBER: 113745

SHIFT MOTOR

S-8883 **NEW★STAR NO.**

REPLACEMENT FOR PART NUMBER: 40635



ELECTRIC SHIFT RETRO UNIT

NEW★STAR NO. S-C634

REPLACEMENT FOR PART NUMBER: 113743



HARNESS & CONNECTOR

NEW★STAR NO. S-A760

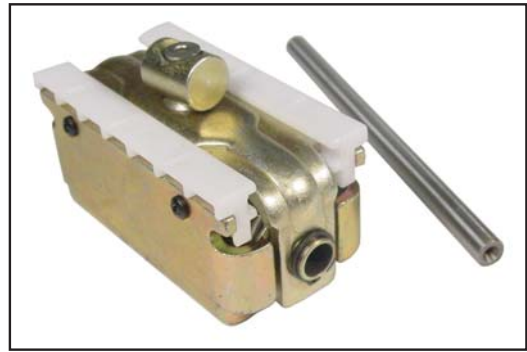
REPLACEMENT FOR PART NUMBER: 113753

NEW★STAR TWO SPEED PARTS
SUITABLE FOR DANA® (FORMERLY EATON) AXLES

SLIDER AND SHAFT ASSY.

NEW★STAR NO. S-A761

REPLACEMENT FOR PART NUMBER: 113759



**ELECTRIC SHIFT UNIT W/ BOOT
(NO HARNESS & HARDWARE)**

NEW★STAR NO. S-A762

REPLACEMENT FOR PART NUMBER: 120750

**CIRCUIT BOARD KIT
W/ COVER & HARDWARE**

NEW★STAR NO. S-8008

REPLACEMENT FOR PART NUMBER: 211319



NEW★STAR CONVENIENCE KITS

SUITABLE FOR DANA® (FORMERLY EATON) AXLES

DS402 FRONT SECTION REPAIR KIT

NEW★STAR NO. S-9698

REPLACEMENT FOR PART NUMBER: DS402PACK

APPLICATION:

DS381, 401, 402LATE

CONSISTS OF ONE EACH:

NEW★STAR
NUMBER

REPLACEMENT FOR
PART NUMBER:

S-C410	115122
S-8241	128042
S-6364	128016
S-8749	213608
S-5375	45478
S-6367	45859
S-6469	110810



DS402 FRONT SECTION REPAIR KIT

NEW★STAR NO. S-E110

APPLICATION:

DS381, 401, 402LATE WITH PUMP

CONSISTS OF ONE EACH:

NEW★STAR
NUMBER

REPLACEMENT FOR
PART NUMBER:

S-8241	128042
S-6364	128016
S-8749	213608
S-5375	45478
S-6367	45859
S-6469	110810
S-6481	115126



DS404 FRONT SECTION REPAIR KIT

NEW★STAR NO. S-D678

REPLACEMENT FOR PART NUMBER: DS404PACK

APPLICATION:

DS404

CONSISTS OF ONE EACH:

NEW★STAR
NUMBER

REPLACEMENT FOR
PART NUMBER:

S-A919	127495
S-C306	127510
S-D675	127645
S-C385	128634
S-A920	216226



NEWSTAR REPLACEMENT RING GEAR AND PINION SETS

APPLICATION: FORD AXLES
FOR STOCK AND STREET PERFORMANCE APPLICATION



NEWSTAR NUMBER	FORD NUMBER	REPLACEMENT FOR		RATIO	APPLICATION
		STRANGE NUMBER	RICHMOND GEAR NUMBER		
S-8577	B7AZ-4209-E	07-890389	69-0177-1	3.89	9" - 10 BOLT
S-6027	C9OZ-4209-A	07-890350	49-0027-1	3.5	9" - 10 BOLT
S-8725	M4209D620	07-890620	69-0290-1	6.2	9" - 10 BOLT
S-9279	E4SZ-4209-A	07-875373	49-0043-1	3.73	7.5"-10 BOLT
S-8792	E7AZ-4209-A	—	—	3.27	8.8" - 10 BOLT
S-8793	E7TZ-4209-A	—	—	3.08	8.8" - 10 BOLT
S-8467	E9TZ-4209-B (F4TZ-4209-AA)	07-888410	69-0310-1	4.1	8.8" - 10 BOLT
S-8466	F3TZ-4209-A	07-888373F	49-0104-1	3.73	8.8" - 10 BOLT
S-8182	E5TZ-4209-D	—	—	4.1	10.25" - 12 BOLT
S-C688	F3TZ-4209-B	—	—	4.1	10.25" - 12 BOLT
S-9317	F10.25-456	—	—	4.56	10.25" - 12 BOLT

LATEST ADDITIONS TO OUR CATALOG

ALL PARTS SUPPLIED ARE S&S/NEWSTAR. USE OF OTHER MANUFACTURERS' NAMES, PART NUMBERS, OR TRADEMARKS ARE FOR INFORMATIONAL AND IDENTIFICATION PURPOSES ONLY. PRICES ARE SUBJECT TO CHANGE OR WITHDRAWAL WITHOUT NOTICE.

NEWSTAR REPLACEMENT INSTALLATION KITS

APPLICATION: FORD AXLES

CONSISTING OF ALL BEARINGS, SHIMS, SLEEVE,
PINION NUT ,BOLTS AND GASKETS



NEWSTAR NUMBER	REPLACEMENT FOR PART NUMBER	DESCRIPTION	APPLICATION
S-8468	R9AXB	INSTALLATION KIT	9"
S-8517	R88XB	INSTALLATION KIT	8.8"
S-8475	R1025XB	INSTALLATION KIT	10.25"
S-8812	---	SHIM KIT, PINION CAGE	8.8"
S-8813	---	SHIM KIT, PINION CAGE	10.25"
S-9723	---	MASTER SHIM KIT	8.8"
S-9498	---	CARRIER SHIM KIT	8.8"

NEWSTAR REPLACEMENT BEARING AND SEAL KITS

APPLICATION: FORD AXLES

NEWSTAR NUMBER	REPLACEMENT FOR PART NUMBER	APPLICATION
S-9533	RA311	8.8"
S-D585	RA311F	8.8" FRONT 1997 & LATER
S-9537	RA314	10.25"
S-9538	RA315	7.5"
S-D582	RA316	9.75" 1997 & LATER
S-D583	RA316A	9.75" 1999 & LATER
S-D584	RA317	10.25" 1999 & LATER

NEWSTAR REPLACEMENT MISCELLANEOUS PARTS

APPLICATION: FORD AXLES

NEWSTAR NUMBER	REPLACEMENT FOR PART NUMBER	DESCRIPTION	APPLICATION
S-9300	E2TZ-4676-A	OIL PINION SEAL	9"
S-9042	E7TZ-4204-C	DIFF. CASE - EMPTY	10.25"
S-9714	E7TZ-4209-BMK	MASTER KIT	8.8" - 10 BOLT 3.55
S-9177	E5TZ-4209-DMK	MASTER KIT	10.25" - 12 BOLT 4.10
S-9182	D5AZ-4216-A	BOLT, RING GEAR	8.8"
S-9183	D80Z-4216-B (F4TZ-4216-A)	BOLT, RING GEAR	9"
S-9184	E5TZ-4216-A	BOLT, RING GEAR	10.25"
S-8892	E7TZ-4234-B	AXLE SHAFT	8.8" LH - 31 SPLINE '1987' & LATER MODELS
S-9299	E8TZ-4676-B	OIL PINION SEAL	10.25"
S-9297	E8TZ-4676-C	OIL PINION SEAL	8.8"
S-9165	B7A-4662-A	CRUSH SLEEVE	9", 8.8", 10.25"
S-B624	E7TZ-4851-A	FLANGE YOKE	10.25" - 31 SPLINES
S-8590	10.25-12 BOLT	DIFF. KIT	10.25"
S-9480	8.8-12 BOLT	INTERNAL KIT	8.8" - 31 SPLINE

NEWSTAR REPLACEMENT RING GEAR AND PINION SETS

APPLICATION: VARIOUS GM AXLES

NEWSTAR NUMBER	REPLACEMENT FOR PART NUMBER	DESCRIPTION	APPLICATION
S-8367	3717212	GEAR SET 5.83	T150
S-7232	3718101	GEAR SET 7.20	H150,170
S-7235	3886305	GEAR SET 6.50	T150,170

NEWSTAR REPLACEMENT GEARS AND MISC. PARTS

APPLICATION: VARIOUS GM AXLES

NEWSTAR NUMBER	REPLACEMENT FOR PART NUMBER	DESCRIPTION	APPLICATION
S-6624	359339	PINION GEAR	T150,T170
S-6619	3708817	PINION GEAR	H150,170
S-6620	3708818	SIDE GEAR	H150,170
S-6623	3873573	SPIDER	T150,T170
S-6624	3873574	PINION GEAR	T150,T170
S-6625	3873576	SIDE GEAR, LH	T150,T170
S-6626	3873577	SIDE GEAR, RH	T150,T170
S-6628	3873581	IDLER PINION	T150,T170
S-6629	3874327	ANCHOR	T150,T170
S-3446	3874345	SLEEVE	T150,T170
S-6630	3886315	SPLINED CASE HALF	T150,T170
S-9560	8873475	BEARING & SEAL KIT	T170 ALL, 150 Prior to 1983

LATEST ADDITIONS TO OUR CATALOG

ALL PARTS SUPPLIED ARE S&S/NEWSTAR. USE OF OTHER MANUFACTURERS' NAMES, PART NUMBERS, OR TRADEMARKS ARE FOR INFORMATIONAL AND IDENTIFICATION PURPOSES ONLY. PRICES ARE SUBJECT TO CHANGE OR WITHDRAWAL WITHOUT NOTICE.

NEWSTAR REPLACEMENT RING GEAR AND PINION SETS

APPLICATION: GM AXLES



NEWSTAR NUMBER	GM NUMBER	REPLACEMENT FOR			RATIO	APPLICATION
		NEW GM NUMBER	STRANGE NUMBER	RICHMOND GEAR NUMBER		
S-7978	471871	26014192	—	—	3.73	10.5" 14 BOLT
S-8179	471872	26014193	—	—	4.10	10.5" 14 BOLT
S-8180	471873	26014194	—	—	4.56	10.5" 14 BOLT
S-8175	1258710	26041514	01-885342	49-0278-1	3.42	8.5" 10 BOLT
S-8176	1259441	26031115	01-885373	49-0041-1	3.73	8.5" 10 BOLT
S-9281	3988515	—	01-885410	69-0165-1	4.10	8.5" 10 BOLT
S-9111	471879	—	01-888373	49-0280-1	3.73	8.8" 12 BOLT
S-9113	14022237	—	01-888342	49-0070-1	3.42	8.8" 12 BOLT

NEWSTAR REPLACEMENT BEARING AND SEAL KITS

APPLICATION: GM AXLES

NEWSTAR NUMBER	REPLACEMENT FOR PART NUMBER	APPLICATION
S-9540	RA321	8.5"
S-D580	RA321CMK	8.5" 1999 & LATER
S-9541	RA322	8.875" TRUCK
S-9542	RA323	8.875" CAR
S-9543	RA324	9.5"
S-9544	RA325	10.5" BELOW '88
S-9545	RA325A	10.5" '88 & UP

NEW★STAR REPLACEMENT INSTALLATION KITS

APPLICATION: GM
 CONSISTING OF ALL BEARINGS, SHIMS, SLEEVE, AXLES,
 PINION NUT ,BOLTS AND GASKETS



NEW★STAR NUMBER	REPLACEMENT FOR PART NUMBER	DESCRIPTION	APPLICATION
S-8477	R625GXB	INSTALLATION KIT	7.5"
S-8536	R10FRXB	INSTALLATION KIT	8.5"
S-9232	R12RXB	INSTALLATION KIT	8.8"
S-8535	R1495XB	INSTALLATION KIT	9.5"
S-8495	R14XB	INSTALLATION KIT ('88 & BELOW)	10.5"
S-8812	SH1012	SHIM KIT, PINION CAGE	7.5", 8.5"
S-9498	SH1101	SHIM KIT, SIDE CARRIER	8.8"
S-8813	SH1102	SHIM KIT, PINION CAGE	9.5"
	-14038011		
S-8814	SH14	SHIM KIT	10.5"
S-9499	SH1104	SHIM KIT, PINION CAGE	8.8"
S-9707	SH1105	CARRIER SHIM KIT	7.5", 8.5"
S-9708	----	MASTER SHIM KIT	7.5", 8.5"
S-9713	----	MASTER SHIM KIT	8.8"

NEW★STAR REPLACEMENT DIFFERENTIAL SIDE GEAR AND PINION SETS

APPLICATION: GM AXLES

NEW★STAR NUMBER	REPLACEMENT FOR PART NUMBER	DESCRIPTION
S-9036	8.5-10 BOLT (26019852)	DIFF. KIT 28 SPLINE
S-8593	8.8-12 BOLT	DIFF. KIT
S-8592	9.5-14 BOLT	DIFF. KIT

LATEST ADDITIONS TO OUR CATALOG

ALL PARTS SUPPLIED ARE S&S/NEWSTAR. USE OF OTHER MANUFACTURERS' NAMES, PART NUMBERS, OR TRADEMARKS ARE FOR INFORMATIONAL AND IDENTIFICATION PURPOSES ONLY. PRICES ARE SUBJECT TO CHANGE OR WITHDRAWAL WITHOUT NOTICE.

NEWSTAR REPLACEMENT MISCELLANEOUS AXLE PARTS

APPLICATION: GM AXLES

NEWSTAR NUMBER	REPLACEMENT FOR PART NUMBER	DESCRIPTION	APPLICATION
S-9185	181056	GASKET, HOUSING	7.5"
S-9186	331421	BOLT, RING GEAR	10.5"
S-9302	458859	OIL PINION SEAL	8.5"
S-9187	458860	GASKET, HOUSING	8.5" - CAR
S-9188	644536	PINION NUT	10.5"
S-9647	1234726	CRUSH SLEEVE	8.5"
S-9295	1243465	OIL PINION SEAL	8.5"
S-9189	1260823	PINION NUT	7.5", 8.5", and 9.5"
S-9321	3924031	OIL PINION SEAL	8.8"
S-F435	3954482	CRUSH SLEEVE	8.8"
S-9190	3977387	GASKET, HOUSING	10.5"
S-9191	3993593	GASKET, HOUSING	8.5" - TRUCK
S-9325	3998513	GASKET, HOUSING	8.8"
S-9396	6258336	DIFFERENTIAL CASE	10.5" - 14 BOLT 4.10 RATIOS & BELOW
S-9395	6258340	DIFFERENTIAL CASE	10.5" - 14 BOLT 4.56 RATIOS & UP
S-9753	9785792	CRUSH SLEEVE	7.5"
S-9310	14003451	BOLT, RING GEAR	8.8"
S-9298	14012694	OIL PINION SEAL	9.5"
S-9192	14012703	BOLT, RING GEAR	9.5"
S-9301	14039587	OIL PINION SEAL	7.5", 8.5"
S-9193	14066913	BOLT, RING GEAR	7.5" and 8.5"
S-8894	14071750	AXLE SHAFT	8.8" - 12 BOLT 30 SPLINE - 6 LUG SUBURBAN PICK-UP 4X4
S-A366	14071751	AXLE SHAFT	8.8" - 12 BOLT 30 SPLINE - 5 LUG 2 WD PICK-UP
S-9296	26004811	PINION OIL SEAL	10.5"
S-8896	26010416	AXLE SHAFT	8.5" - 10 BOLT 30 SPLINE - 6 LUG 4WD - PICK-UP
S-9190	26012845	GASKET, HOUSING	10.5"
S-B824	26013313	AXLE SHAFT	8.5" - 10 BOLT LENGTH 33 5/16" - 30 SPLINES - 5 HOLE
S-9830	26013882	AXLE SHAFT	7.625" S10 & S15 - 28 SPLINE 4WD
S-9709	_____	MINI INSTALLATION KIT*	8.5"
S-B085	26015584	SLIP YOKE	MIDSHIP
S-8258	26020811	FLANGE YOKE 1350 SERIES	10.5" -14 BOLT AXLES - 30 SPLINES

*CONSISTS OF SEAL, SHIMS, NUT, COLLAR, AND GASKET

NEWSTAR GENUINE RING GEAR AND PINION SETS

APPLICATION: VARIOUS GM AXLES

NEWSTAR NUMBER	REPLACEMENT FOR PART NUMBER	REPLACEMENT FOR PART NUMBER	RATIO	APPLICATION
S-A436	26014585	14059087- NON-ABS 7.5"	4.11	7.625"- 10 BOLT
S-C497	26016528	14037998	4.1	9.5"-14 BOLT/1985 TO 2002 C/K TRUCKS-G & P VANS
S-C498	26026782	14085379	3.42	7.625" S/T TRUCKS- L/M VANS-T/F CARS
S-A437	26035826	26037712 1259441 26041513 26030655	3.73	8.5"- 10 BOLT
S-A438	26035832	26006449 1258710 26018278 26019801 26041514	3.42	8.5"- 10 BOLT
S-A441	26035835	26015037 26037732 26037728 1258709- NON-ABS 26041512	3.08	8.5"- 10 BOLT
S-A442	26036813	14085350 14048379- NON-ABS 14091497	3.73	7.625"- 10 BOLT
S-A439	26054981	26015719 26016527 14037999- NON-ABS 26066802	3.73	9.5"- 14 BOLT
S-B644	26054993	26029468	4.1	10.5" GM C,K TRUCK, 'G' VAN
S-A440	26054996	327721 471871- NON-ABS	3.73	10.5"- 14 BOLT
S-A444	26060032	15588323	4.11	8.25" IFS
S-A445	26060033	15588321	3.73	8.25" IFS

LATEST ADDITIONS TO OUR CATALOG

ALL PARTS SUPPLIED ARE S&S/NEWSTAR. USE OF OTHER MANUFACTURERS' NAMES, PART NUMBERS, OR TRADEMARKS ARE FOR INFORMATIONAL AND IDENTIFICATION PURPOSES ONLY. PRICES ARE SUBJECT TO CHANGE OR WITHDRAWAL WITHOUT NOTICE.

NEW★STAR GENUINE DIFF KITS AND CASES

APPLICATION: GM AXLES



NEW★STAR NUMBER	REPLACEMENT FOR PART NUMBER	DESCRIPTION	APPLICATION
S-A447	8.25- 10 BOLT	GEAR KIT	8.25" IFS
S-B021	9.5- 14 BOLT	GEAR KIT	9.5"
S-A523	10.5-14 BOLT	GEAR KIT	10.5"
S-A448	12375622	GEAR KIT	7.625"- 10 BOLT 28 SPLINE
S-A449	14038087 (14012695)	CASE	9.5"- 12 BOLT
S-A451	26010481	OPEN CASE	8.5"- 10 BOLT RATIOS 2.73 & UP
S-A452	26018131	OPEN CASE	8.25" IFS
S-A450	26019829	GEAR KIT	8.5"- 10 BOLT 30 SPLINE
S-B022	26033477	CASE	7.6" REAR

NEWSTAR REPLACEMENT RING GEAR AND PINION SETS

APPLICATION: INTERNATIONAL TRUCK AXLES



NEWSTAR NUMBER	REPLACEMENT FOR PART NUMBER	DESCRIPTION	APPLICATION
S-6356	68907R94	GEAR SET 6.50	RA39
S-7378	69015R93	GEAR SET 7.17	RA30
S-7377	69022R93	GEAR SET 6.17	RA30
S-7249	578793C91	GEAR SET 5.38	RA30
S-9131	597140C91	GEAR SET 5.57	M190T,M210T,M220T,M230T
S-10895	597141C91	GEAR SET 6.14	M190T,M210T,M220T,M230T
S-8606	597236C91	GEAR SET 3.55	RA351,355,472
S-7250	597237C91	GEAR SET 3.73	RA351,355,472
S-7251	597238C91	GEAR SET 3.91	RA351,355,472
S-7252	597239C91	GEAR SET 4.10	RA351,355,472
S-7253	597240C91	GEAR SET 4.44	RA351,355,472
S-7254	597241C91	GEAR SET 4.77	RA351,355,472
S-7255	597242C91	GEAR SET 5.37	RA351,355,472
S-7256	597243C91	GEAR SET 6.14	RA351,355,472
S-7257	597244C91	GEAR SET 6.57	RA351,355,472
S-7258	597245C91	GEAR SET 7.17	RA351,355,472
S-7259	597248C91	GEAR SET 3.73	RA474
S-7260	597249C91	GEAR SET 3.91	RA474
S-7261	597250C91	GEAR SET 4.10	RA474
S-7262	597251C91	GEAR SET 4.44	RA474
S-7263	597252C91	GEAR SET 4.78	RA474
S-7264	597253C91	GEAR SET 5.37	RA474
S-7265	597254C91	GEAR SET 6.14	RA474
S-7266	597255C91	GEAR SET 6.57	RA474
S-7267	597256C91	GEAR SET 7.17	RA474
S-2168	891081R92	GEAR SET 4.10	RA351,355
S-C435	1665337C91	GEAR SET 3.42 FWD	N340,X380,N400
S-A346	1665338C91	GEAR SET 3.54 FWD	N340,X380,N400
S-A347	1665339C91	GEAR SET 3.73 FWD	N340,X380,N400
S-A348	1665340C91	GEAR SET 3.91 FWD	N340,X380,N400
S-A349	1665341C91	GEAR SET 4.10 FWD	N340,X380,N400
S-A831	1665342C91	GEAR SET 4.44 FWD	N340,X380,N400
S-F038	1665344C91	GEAR SET 4.78 FWD	N340,X380,N400
S-F039	1665349C91	GEAR SET 5.63 FWD	N340,X380,N400
S-F041	1665350C91	GEAR SET 6.14 FWD	N340,X380,N400
S-A833	1665357C91	GEAR SET 3.54 RR	N175,N190,N210,N340,N380,N400
S-A992	1665358C91	GEAR SET 3.73 RR	N175,N190,N210,N340,N380,N400
S-A350	1665359C91	GEAR SET 3.91 RR	N175,N190,N210,N340,N380,N400
S-A351	1665360C91	GEAR SET 4.10 RR	N175,N190,N210,N340,N380,N400
S-A352	1665361C91	GEAR SET 4.44 RR	N175,N190,N210,N340,N380,N400
S-9447	1665363C91	GEAR SET 4.78 RR	N175,N190,N210,N340,X380,N400
S-F075	1665365C91	GEAR SET 5.11 RR	N175,N190,N210,N340,X380,N400
S-A353	1665367C91	GEAR SET 5.38 RR	N175,N190,N210,N340,N380,N400
S-F076	1665368C91	GEAR SET 5.63 RR	N175,N190,N210,N340,N380,N400
S-A354	1665369C91	GEAR SET 6.14 RR	N175,N190,N210,N340,N380,N400
S-F040	1665371C91	GEAR SET 7.17 RR	N175,N190,N210,N340,N380,N400

LATEST ADDITIONS TO OUR CATALOG

ALL PARTS SUPPLIED ARE S&S/NEWSTAR. USE OF OTHER MANUFACTURERS' NAMES, PART NUMBERS, OR TRADEMARKS ARE FOR INFORMATIONAL AND IDENTIFICATION PURPOSES ONLY. PRICES ARE SUBJECT TO CHANGE OR WITHDRAWAL WITHOUT NOTICE.

NEWSTAR REPLACEMENT GEARS AND PARTS

APPLICATION: INTERNATIONAL TRUCK AXLES

NEWSTAR NUMBER	REPLACEMENT FOR PART NUMBER	DESCRIPTION	APPLICATION
S-6652	ST679	BEARING	RA351,355,F
S-13401	19415R1	ROLL PIN	N400
S-4155	19499R1	NUT	RA351,355,F
S-4155	26244R1	NUT	RA351,355,F
S-4353	27857R1	CASE BOLT	RA472,474,F
S-4970	68934R2	SIDE GEAR	RA39
S-4115	86233H	WASHER	RA29,30,39
S-3156	88015H	WASHER QTY PKG 4	RA30,351F,355F
S-5080	157490R1	RIVET	RA351,355,472,N400
S-4261	157494R1	WASHER	RA42,351,355
S-6359	157518R1	AXLE SHAFT	RA355
S-4194	157563R2	SIDE GEAR	RA355,472
S-3982	161042R3	PINION GEAR	RA474
S-5082	161060R1	RIVET	RA57,474
S-4018	161061R1	WASHER QTY PKG 12	RA472,474
S-4017	161064R2	WASHER	RA472,474
S-3980	161069R3	SPIDER	RA474
S-3981	161078R2	SIDE GEAR	RA57,474
S-3157	227279R1	WASHER	RA351,355,F
S-5110	227327R1	CASE BOLT	RA351,355,F
S-4569	227334R2	OUTPUT SHAFT	RA351,355,F
S-2043	227349R21	IDLER GEAR	RA351,355,F
S-5488	241278R1	WASHER QTY PKG 4	RA29,39
S-4998	241279R2	PINION GEAR	RA29,39
S-2042	243121R2	DRIVE GEAR	RA351,355
S-7208	336276R92	OIL SEAL	RA472,474,F
S-C319	344649C1	SPACER- 0.195"	REAR INPUT RA351F,355F
S-C320	344655C1	SPACER- 0.201"	RA351F,355F REAR INPUT
S-C321	344661C1	SPACER- 0.207"	REAR INPUT RA351F,355F
S-5173	371498C91	OIL SEAL	RA351,355,472,474,F
S-4700	388355C1	NUT	RA351,355,F
S-4234	396873C1	SHIM	RA472,474,F
S-2248	417834C1	HOUSING	RA351,355,F
S-3367	417854C1	SIDE GEAR	RA351,355,F
S-5848	421913C1	NUT	RA351,355,F
S-2607	436830C2	SPIDER	RA30,351F,355F
S-2351	436831C1	PINION GEAR	RA30,351F,355F
S-2052	438420C2	TOP CASE HALF	RA351,355,F
S-2053	438422C1	BOTTOM CASE HALF	RA351,355,F
S-3929	440302C1	NUT	RA474, INPUT SHAFT ONLY
S-2044	441141C1	INPUT GEAR	RA351,355,F
S-2045	441143C1	SIDE GEAR	RA351,355,F
S-7667	446839C1	GASKET MAKER	BLACK SILICONE
S-4894	455460C1	AXLE SHAFT	RA30
S-4896	455461C2	AXLE SHAFT	RA29
S-3331	455463C2	AXLE SHAFT	16220,16244
S-4896	455464C2	AXLE SHAFT	RA44,341
S-5050	463340C1	SIDE GEAR	RA29
S-3370	463346C1	WASHER	RA351,355,F
S-4533	463402C1	SIDE GEAR	RA472,474,F
S-4537	463404C93	BOTTOM CASE HALF	RA472,474,F
S-7241	463412C1	SPIDER	RA472,474,F
S-4236	463413C1	WASHER QTY PKG 4	RA472,474,F
S-4531	463414C1	SIDE GEAR	RA472,474,F
S-7243	463419C1	PINION GEAR	RA472,474,F
S-C313	463426C1	SPACER- 1.292"	RA472F,474F IDLER GEAR/OLD DESIGN
S-C315	463428C1	SPACER- 1.302"	RA472F,474F IDLER GEAR/OLD DESIGN

NEWSTAR REPLACEMENT GEARS AND PARTS

APPLICATION: INTERNATIONAL TRUCK AXLES

NEWSTAR NUMBER	REPLACEMENT FOR PART NUMBER	DESCRIPTION	APPLICATION
S-4577	463430C2	CLUTCH COLLAR	RA472,474,F
S-4582	464237C2	OUTPUT SHAFT	RA474,F
S-4583	464238C2	OUTPUT SHAFT	RA472,F
S-4908	464248C1	BEARING	RA472,474
S-3698	474015C1	HOUSING	RA351,355,F
S-3693	474018C1	ADAPTER CASE	RA351,355,F
S-4924	474517C2	GASKET ELIMINATOR	MULTIPLE APPLICATIONS
S-7246	481107C91	IDLER GEAR	RA472,474,F
S-4541	481108C1	INPUT GEAR	RA472,474,F
S-3375	481119C2	HOUSING	RA472,474,F
S-7247	481811C1	RETAINER	RA472,474,F
S-4576	482763C1	DRIVE GEAR	RA474,F
S-4415	483442C1	DRIVE GEAR	RA472,F
S-3338	487526C1	INPUT GEAR	RA351,355,F
S-4575	487536C1	DRIVE GEAR	RA351,355,F
S-7248	492259C1	DRIVE GEAR	RA351,355,F
S-5117	493193C91	GEAR KIT	RA29
S-4660	493194C91	GEAR KIT	RA39
S-4952	493197C91	GEAR KIT	RA472
S-5348	493198C91	GEAR KIT	RA57,474
S-4953	493199C91	GEAR KIT	RA351,355,F
S-4812	493200C91	GEAR KIT	RA472,474,F
S-9635	493204C91	CASE ASSEMBLY	RA44,57,351,355,472 (3.74 THRU 4.44)
S-9636	493205C91	CASE ASSEMBLY	RA44,47,351,355,472 (4.78 THRU 8.17)
S-7597	493209C91	MATCHED CASE ASSY	RA472,474,F
S-9574	499688C91	BEARING & SEAL KIT	RA57, 474 (RR) W/ INVOLUTE
S-7547	500016C1	AXLE GASKET QTY PKG 10	RA29,30,39,42,341, G175T,15201,16244
S-9575	504266C91	BEARING & SEAL KIT	RA30
S-4378	504810C91	FORK	RA472,474,F
S-4971	571347C1	AXLE SHAFT	RA29,30
S-9847	571348C2	AXLE SHAFT	F170S,G175T,155T,175S, J175S,N175,RA341
S-5892	571349C2	AXLE SHAFT	N175,N340,RA44,RA351,RA472
S-4972	571350C2	AXLE SHAFT	RA47,355,472
S-7965	571351C2	AXLE SHAFT	RA-474,M-460-S,RA-57
S-5136	571352C1	SIDE GEAR	RA29,39
S-4259	571353C1	SIDE GEAR	RA30
S-4257	571354C1	SIDE GEAR	RA47,472
S-4258	571355C1	SIDE GEAR	RA42
S-4256	571356C1	SIDE GEAR	RA57,474
S-4255	571357C1	SIDE GEAR	RA44
S-3359	578499C91	CASE ASSEMBLY	RA351,355,F
S-4974	578500C91	CASE ASSEMBLY	RA472,474,F
S-9511	578778C2	AXLE SHAFT	22065S,G190S,M220S,M190T, M210T,21121,17421,17221,17202, 17222,340SB,DT,DS341
S-D588	584278C1	SPRING	RA351/355/472/474 USED W/ SHIFT CYLINDERS
S-6660	585702C91	GEAR KIT	RA30
S-5143	585703C91	GEAR KIT	RA29,39
S-4709	585704C91	GEAR KIT	RA42
S-4732	585705C91	GEAR KIT	RA44,351
S-4876	585706C91	GEAR KIT	RA47,355,472,N400
S-5349	585707C91	GEAR KIT	RA57,474
S-5753	586049C1	MAGNETIC PLUG	RA29,30,39,42,44,47,57,351
S-A830	597105C91	GEAR KIT	M230T,G175S,M200S,220S,T, M190T,G175T,M210T
S-11764	597147C1	OIL SEAL	G155T,175S,T,M200S,210T,220S,T,230T

LATEST ADDITIONS TO OUR CATALOG

ALL PARTS SUPPLIED ARE S&S/NEWSTAR. USE OF OTHER MANUFACTURERS' NAMES, PART NUMBERS, OR TRADEMARKS ARE FOR INFORMATIONAL AND IDENTIFICATION PURPOSES ONLY. PRICES ARE SUBJECT TO CHANGE OR WITHDRAWAL WITHOUT NOTICE.

NEWSTAR REPLACEMENT GEARS AND PARTS

APPLICATION: INTERNATIONAL TRUCK AXLES

NEWSTAR NUMBER	REPLACEMENT FOR PART NUMBER	DESCRIPTION	APPLICATION
S-A343	597148C1	OIL SEAL	G155T,175T
S-7119	597155C1	PLANETARY PINION	M190T,220T
S-A344	597156C1	IDLER GEAR	G175T,M190T
S-10499	597157C91	CASE ASSEMBLY	G155T,175T,M190T
S-9762	597158C1	CASE BOLT	G155T,175T,M190T
S-9757	597168C1	CLUTCH PLATE	G155T,175T
S-9761	597170C1	SUN GEAR	G155T,175T
S-7120	597171C1	SUN GEAR	M190T,220T
S-9173	597173C1	RETAINER, SUN GEAR	M190T,210T,220T,230T
S-2048	864356R2	SPIDER	RA351,355,472
S-4262	864357R2	PINION GEAR	RA351,355,472
S-7268	864360R1	WASHER QTY PKG 12	RA351,355,472,F
S-6664	869921R3	SPIDER	RA351,355
S-7548	895478R2	AXLE GASKET QTY PKG 10	RA351R
S-7549	895493R2	AXLE GASKET QTY PKG 10	RA47,57,355,472,474
S-4790	1651259C91	INTER DIFF. KIT	RA351,355,F
S-4934	1651260C91	INTER DIFF. KIT	RA351,355,F
S-3359	1651261C91	CASE ASSEMBLY	RA351,355,F
S-4953	1651262C91	GEAR KIT	RA351,355,F
S-4974	1651264C91	CASE ASSEMBLY	RA472,474,F
S-4812	1651265C91	GEAR KIT	RA472,474,F
S-5117	1651267C91	GEAR KIT	RA29
S-4660	1651268C91	GEAR KIT	RA39
S-5179	1651269C91	GEAR KIT	RA42,351
S-4952	1651271C91	GEAR KIT	RA472
S-5348	1651272C91	GEAR KIT	RA57,474
S-6660	1651273C91	GEAR KIT	RA30
S-5143	1651274C91	GEAR KIT	RA29,39
S-4709	1651275C91	GEAR KIT	RA42
S-4732	1651276C91	GEAR KIT	RA44,351
S-4876	1651277C91	GEAR KIT	RA47,355,472
S-5349	1651278C91	GEAR KIT	RA57,474
S-7208	1651280C91	OIL SEAL	N340,N400,J340S,J380S,J400S,W460S
S-5478	1651281C91	OIL SEAL	RA42,44,47,57,351R,355R,472R,474R
S-9575	1651515C91	BEARING & SEAL KIT	RA30
S-9566	1651517C91	BEARING & SEAL KIT	RA42,44,351,355,472(RR)
S-9574	1651519C91	BEARING & SEAL KIT	RA57,474 (RR) W/ INVOLUTE
S-E247	1651826C1	SPACER- 0.910"	RA57,474
S-B009	1653125C91	BEARING & SEAL KIT	G160,F175,G175,185,190
S-A123	1654949C91	GEAR	RA472
S-8753	1665300C1	SIDE GEAR	N340,N-400,X380
S-8756	1665307C91	INTER DIFF. ASSY.	N340,X380,N400
S-A345	1665309C91	DRIVE GEAR HELICAL ASSY.	N340,400
S-D752	1665315C1	THRUST WASHER	N340,400
S-E248	1665324C1	SPACER	N340,400
S-A580	1665325C91	GEAR KIT	N340,N400
S-8752	1665326C1	INPUT SHAFT	N340,X380,N400
S-A364	1665327C91	CASE KIT	N340,400 (3.06 THRU 4.44)
S-A365	1665328C91	CASE KIT	N340,400 (4.56 THRU 6.04)
S-A469	1665329C91	BEARING & SEAL KIT	N400 REAR
S-8757	1665332C1	SHIFT COLLAR	N340,X380,N400
S-9893	1665333C91	BEARING & SEAL KIT	N340,400
S-D594	1665334C1	POWER DIVIDER SHAFT	N340,400
S-9275	1665379C91	OUTPUT SHAFT	N340,X380,N400
S-A712	1665380C1	HELICAL DRIVE GEAR	N340,400
S-A737	1691143C2	OIL SEAL	RA44,57,474R,N175,190, 210,N340,400RR
S-9496	1691153C91	RETAINER	N340,N400

LATEST ADDITIONS TO OUR CATALOG

ALL PARTS SUPPLIED ARE S&S/NEWSTAR. USE OF OTHER MANUFACTURERS' NAMES, PART NUMBERS, OR TRADEMARKS ARE FOR INFORMATIONAL AND IDENTIFICATION PURPOSES ONLY. PRICES ARE SUBJECT TO CHANGE OR WITHDRAWAL WITHOUT NOTICE.

NEWSTAR REPLACEMENT GEARS AND PARTS

APPLICATION: INTERNATIONAL TRUCK AXLES

NEWSTAR NUMBER	REPLACEMENT FOR PART NUMBER	DESCRIPTION	APPLICATION
S-8752	1692964C91	INPUT SHAFT	NEW NO. FOR 1665326C91
S-8450	1694741C1	DRIVE GEAR	RA472,LATE STYLE
S-9573	1695392C91	BEARING & SEAL KIT	RA474 W/ INVOLUTE
S-9720	1696471C1	PINION NUT	G175S,G190S,G155T,G175T,M200S, M230T
S-A796	1696472C1	NUT, IDLER GEAR	RA472,474,F
S-13453	1696474C1	PINION NUT	N400,RA44,47,57,351R,355R,472,474
S-B246	1696994C1	BOLT KIT	N175,190,210,J190S,210S,G175T,190T, 220T,J340S,380S,400S,RA472
S-12106	1697352C91	BOLT KIT	RA474
S-9564	RA192FA	BEARING & SEAL KIT	RA351,355
S-9565	RA192FB	BEARING & SEAL KIT	RA351,355 (LATE)
S-9566	RA192RB	BEARING & SEAL KIT	RA42,44,351,355,472(RR)
S-9572	RA200F	BEARING & SEAL KIT	RA472
S-D792	RA200FA	BEARING & SEAL KIT	RA472 W/ INVOLUTE
S-9573	RA201F	BEARING & SEAL KIT	RA474 W/ INVOLUTE
S-9574	RA201R	BEARING & SEAL KIT	RA57,474 (RR) W/ INVOLUTE
S-9575	RA202	BEARING & SEAL KIT	RA30
S-B009	RA213	BEARING & SEAL KIT	G160,F175,G175,185,190
S-9893	RA223F	BEARING & SEAL KIT	N400
S-A469	RA223R	BEARING & SEAL KIT	N400(RR)

LATEST ADDITIONS TO OUR CATALOG

ALL PARTS SUPPLIED ARE S&S/NEWSTAR. USE OF OTHER MANUFACTURERS' NAMES, PART NUMBERS, OR TRADEMARKS ARE FOR INFORMATIONAL AND IDENTIFICATION PURPOSES ONLY. PRICES ARE SUBJECT TO CHANGE OR WITHDRAWAL WITHOUT NOTICE.

NEWSTAR REPLACEMENT RING GEARS AND PINION SETS

APPLICATION: VARIOUS MACK AXLES



NEWSTAR NUMBER	REPLACEMENT FOR PART NUMBER	DESCRIPTION	TOOTH COUNT	APPLICATION	REPLACEMENT FOR PAI/EXCEL NUMBER
S-11453	24-KH-11033	GEAR SET FWD 3.65,3.87	16X17	CPDPC 92,112	7532
S-10060	24-KH-11072	GEAR SET 3.86,4.17,4.42	14X17	CPD 93,113	7535
S-E589	24-KH-11073	GEAR SET FWD 3.86,4.17,4.42 (FINE SPLINE)	14X17	CRDPC 92, 112	7534
S-3994	24-KH-1850-B	GEAR SET FWD 3.65,3.87	16X17	CRDPC 92,112	7914
S-3997	24-KH-1851-A	GEAR SET RR 3.65,3.87	16X17	CRD 93,113	7915
S-8356	24-KH-1873	GEAR SET FWD 5.55,6.34,7.00,7.13	13X21	CRDPC 92,112	7866
S-8357	24-KH-1875	GEAR SET RR 5.55,6.34,7.00,7.13	13X21	CRD 93,113	7867
S-4130	24-KH-1901	GEAR SET RR 4.64,5.02,5.32,5.73	13X19	CRD 91,113	7865
S-4129	24-KH-1902	GEAR SET FWD 4.64,5.02,5.32,5.73	13X19	CRDPC 92,112	7864
S-3996	24-KH-1908	GEAR SET FWD 4.50,4.76,5.13	13X17	CRDPC 92,112	7850
S-3999	24-KH-1910	GEAR SET RR 4.50,4.76,5.13	13X17	CRD 93,113	7900
S-6037	24-KH-1915-A	GEAR SET RR 3.86,4.17,4.42	14X17	CRD 93,113	7540
S-6038	24-KH-1917	GEAR SET FWD 3.86,4.17,4.42	14X17	CRDPC 92,112	7530
S-6038	24-KH-1917-A	GEAR SET FWD 3.86,4.17,4.42	14X17	CRDPC 92,112	7530
S-6059	24-KH-1939	GEAR SET FWD 3.65,3.87 (FINE SPLINE)	16X17	CRDPC 92,112	7916
S-6060	24-KH-1940-A	GEAR SET FWD 4.64,5.02,5.32,5.73 (FINE SPLINE)	13X19	CRDPC 92,112	7906
S-D672	24-KH-1941	GEAR SET FWD 5.88,6.34,7.00,7.13	13X21	CRDPC 92,112	7868

NEW STAR REPLACEMENT RING GEARS AND PINION SETS

APPLICATION: VARIOUS MACK AXLES

NEW STAR NUMBER	REPLACEMENT FOR PART NUMBER	DESCRIPTION	TOOTH COUNT	APPLICATION	REPLACEMENT FOR PAI/EXCEL NUMBER
S-3995	24-KH-1943-B	GEAR SET FWD 3.86,4.17,4.42 (FINE SPLINE)	14X17	CRDPC 92,112	7531
S-D673	24-KH-1948	GEAR SET RR 5.88,6.34,7.00,7.13	13X21	CRD 93,113	7869
S-6061	24-KH-1953-A	GEAR SET RR 4.64,5.02,5.32,5.73 (FINE SPLINE)	13X19	CRD 93,113	7907
S-6061	24-KH-1953-B	GEAR SET RR 4.64,5.02,5.32,5.73 (FINE SPLINE)	13X19	CRD 93,113	7907
S-6062	24-KH-1955	GEAR SET RR 3.65,3.87 (FINE SPLINE)	16X17	CRD 93,113	7917
S-3998	24-KH-1956-A	GEAR SET RR 3.86,4.17,4.42 (FINE SPLINE)	14X17	CRD 93,113	7541

LATEST ADDITIONS TO OUR CATALOG

ALL PARTS SUPPLIED ARE S&S/NEWSTAR. USE OF OTHER MANUFACTURERS' NAMES, PART NUMBERS, OR TRADEMARKS ARE FOR INFORMATIONAL AND IDENTIFICATION PURPOSES ONLY. PRICES ARE SUBJECT TO CHANGE OR WITHDRAWAL WITHOUT NOTICE.

NEWSTAR REPLACEMENT GEARS AND MISC. PARTS

APPLICATION: VARIOUS MACK AXLES

NEWSTAR NUMBER	REPLACEMENT FOR PART NUMBER	DESCRIPTION	APPLICATION - MODEL	REPLACEMENT FOR PAI/EXCEL NUMBER
S-5257	3-AX-1803-X	PINION BOLT	CRDPC 92,112, CRD 93,113	6060
S-7621	21-AX-360	NUT QTY PKG 10 EA.	CRDPC 92,CRD 93	5977
S-A471	25-KH-21	DIFF. KIT	CRD 92,CRD 93	2155
S-5957	56-AX-415	O-RING QTY PKG 10 EA	CRD 92	3000
S-5955	56-AX-423	O-RING QTY PKG 10 EA	CRD 93	2990
S-5956	56-AX-432	O-RING QTY PKG 10 EA	CRDP 92	2500
S-4710	88-AX-319-P2	OIL SEAL	CRDPC 92 / 112	7690
S-8603	88-AX-354-P2	OIL SEAL	CRD 93,113	7740
S-8417	579-GB-41-E	GASKET W/ SILICONE	ALL MACK 6 CYL. ENGINES	8414
S-7599	267-KC-214-P2	PINION NUT	CRDPC 92, 112 (FINE SPLINE)	2241
S-4001	32-KH-228-A	SPIDER	CRDPC 92	7910
S-3990	33-KH-263-A	PINION GEAR	CRD 92, 93	7460
S-7576	34-KH-242-A	SIDE GEAR	CRDPC 112	7440
S-7576	34-KH-242-C	SIDE GEAR	CRDPC 112	7440
S-4000	34-KH-244-A	SIDE GEAR	CRDPC 92	2431
S-4000	34-KH-244-C	SIDE GEAR	CRDPC 92	2431
S-4000	34-KH-261	SIDE GEAR	CRDPC 92	2431
S-3992	37-KH-27-A	WASHER-QTY PKG OF 4	CRDPC 92, 112, CRD 93, 113	3050
S-3992	37-KH-128-A	WASHER-QTY PKG OF 4	CRDPC 92, 112, CRD 93, 113	3050
S-3992	37-KH-210	WASHER-QTY PKG OF 4	CRDPC 92, 112, CRD 93, 113	3050
S-7637	38-KH-25-C	WASHER	CRDPC 92, 112, CRD 93, 113	3040
S-7637	38-KH-215	WASHER	CRDPC 92, 112, CRD 93, 113	3040
S-7637	38-KH-218-A	WASHER	CRDPC 92, 112, CRD 93, 113	3040
S-7637	38-KH-220	WASHER	CRDPC 92, 112, CRD 93, 113	3040
S-6030	53-KH-261-B	RETAINER	CRDPC 92, 112	7220
S-7577	56-KH-3134-AP1	SPUR PINION-13 TEETH	CRDPC 92, 112, CRD 93, 113	2260
S-7577	56-KH-3134-P2	SPUR PINION-13 TEETH	CRDPC 92, 112, CRD 93, 113	2260
S-7577	56-KH-3134-P3	SPUR PINION-13 TEETH	CRDPC 92, 112, CRD 93, 113	2260
S-8952	56-KH-3136-A	SPUR PINION-14 TEETH	CRDPC 92, 112, CRD 93, 113	6890
S-4008	56-KH-3137-P1	SPUR PINION-16 TEETH	CRDPC 92, 112, CRD 93, 113	7930
S-4008	56-KH-3137-P2	SPUR PINION-16 TEETH	CRDPC 92, 112, CRD 93, 113	7930
S-4008	56-KH-3137-P3	SPUR PINION-16 TEETH	CRDPC 92, 112, CRD 93, 113	7930
S-8183	56-KH-3154-P2	SPUR PINION-17 TEETH	CRDPC 92, 112, CRD 93, 113	7961
S-8183	56-KH-3154-P3	SPUR PINION-17 TEETH	CRDPC 92, 112, CRD 93, 113	7961

NEW★STAR REPLACEMENT GEARS AND MISC. PARTS

APPLICATION: VARIOUS MACK AXLES

NEW★STAR NUMBER	REPLACEMENT FOR PART NUMBER	DESCRIPTION	APPLICATION - MODEL	REPLACEMENT FOR PAI/EXCEL NUMBER
S-4010	61-KH-47-AP2	BULL GEAR-55 TEETH	CRDPC 92, 112, CRD 93, 113 FOR RATIOS 3.65,4.17,4.50,5.02	7920
S-7578	61-KH-47-P4	BULL GEAR-51 TEETH	CRDPC 92, 112, CRD 93, 113 FOR RATIOS 5.13,5.73,6.34,6.45, 7.49,8.24,9.02,9.15,9.59	2080
S-9420	61-KH-47-BP7 (61-KH-47-P8) (61-KH-47-AP7)	BULL GEAR-51 TEETH	CRDPC 92, 112, CRD 93, 113 FOR RATIOS 3.87,4.42,4.76,5.32	6790
S-7634	61-KH-47-P10	BULL GEAR-54 TEETH	CRDP 92 FOR RATIOS 3.86,4.64,6.06	7971
S-7634	61-KH-47-P11	BULL GEAR-54 TEETH	CRDP 92 FOR RATIOS 3.86,4.64,6.06	7971
S-4002	90-KH-253-B	THRU SHAFT	CRDPC 92, 112	2300
S-9419	90-KH-411	THRU SHAFT	CRD 92, 112	2295
S-7633	31-KN-44	OUTER CAM W/ LOCKOUT	CRDPC 92, 112	2381
S-3987	31-KN-47	OUTER CAM	CRDPC 92, 112 (FINE SPLINE)	2382
S-9247	31-KN-48	OUTER CAM W/ LOCKOUT	CRDPC 92, 112 (FINE SPLINE)	2383
S-3993	31-KN-355	OUTER CAM	CRDPC 92, 112	2380
S-3988	32-KN-38	INNER CAM	CRD 92, 93	2390
S-3988	32-KN-230-A	INNER CAM	CRD 92, 93	2390
S-4318	33-KN-381	OUTER CAGE	CRDPC 92, 112	2420
S-4006	33-KN-411	CAGE	CRDPC 92, 112 (FINE SPLINE)	2422
S-3989	30-KNA-12	WEDGE SET	CRD 92, 93	1230
S-9576	205-SP-71	BEARING & SEAL KIT	CRD 93, 113	7141
S-9577	205-SP-72	BEARING & SEAL KIT	CRDLP 92,CRDPC 112	7121
S-A470	—————	DIFF. KIT	CRDPC 112, 113	2156

LATEST ADDITIONS TO OUR CATALOG

ALL PARTS SUPPLIED ARE S&S/NEWSTAR. USE OF OTHER MANUFACTURERS' NAMES, PART NUMBERS, OR TRADEMARKS ARE FOR INFORMATIONAL AND IDENTIFICATION PURPOSES ONLY. PRICES ARE SUBJECT TO CHANGE OR WITHDRAWAL WITHOUT NOTICE.

NEWSTAR REPLACEMENT AXLE SHAFTS

SUITABLE FOR ARVIN MERITOR, DANA®, DANA® (FORMERLY EATON), GM, FORD, AND INTERNATIONAL TRUCK AXLES



NEWSTAR NUMBER	REPLACEMENT FOR PART NUMBER	INDUSTRY NUMBER	APPLICATION	SPLINE/O.D.	LENGTH	T-TAPER/S-STRAIGHT NO. OF BOLT HOLES/SIZES
S-3330	38208	892	18120,18220,38D	16 - 2.125	39 3/4"	S 8 - 49/64"
S-6359	43981	983	18202,18222,RA192	20 - 2.093	39 5/8"	S 8 - 49/64"
S-6360	43982	989L	18202,18222,18322	20 - 2.093	42 1/16"	S 8 - 49/64"
S-1712	43983	989R	18202,18222,18322	20 - 2.093	37"	S 8 - 49/64"
S-6361	44006	984L	RA146,17202	16 - 1.980	43"	S 8 - 41/64"
S-6362	44007	984R	RA146,17202	16 - 1.980	38"	S 8 - 41/64"
S-3116	56980	749	34DS,17120,17220	16 - 1.975	40 3/4"	T12 - 17/32"
S-3330	56981	1052	38DP,RP,DS,RS	16 - 2.125	40 1/8"	S 8 - 49/64"
S-6371	58975	1053	16244	16 - 1.875	38 7/16"	T 8 - 33/64"
S-6377	62165	1049	17200,220,34DS	16 - 1.980	41 5/16"	T12 - 9/16"
S-6378	62166	1087	38D,18120,220	16 - 2.125	41 5/16"	T 8 - 41/64"
S-3330	64130	1063	38DP,38RP,38DS,38RS	16 - 2.120	40 1/8"	S 8 - 49/64"
S-6381	65360	1054	15200	19 - 1.770	38 3/16"	T 8 - 29/64"
S-6378	81216	1083	18220,38RS	16 - 2.125	41 11/16"	T 8 - 41/64"
S-6401	88987	1098	16220	16 - 1.875	40 1/2"	T12 - 37/64"
S-6980	110880	1137	15200	34 - 1.750	38 3/16"	T 8 - 29/64"
S-6472	110882	1134	34D,D340,341,17221	39 - 2.000	40 7/8"	T12 - 17/32"
S-6473	110884	1135	18,22,38,380,381	41 - 2.100	41 1/2"	T 8 - 41/64"
S-A748	110885	1136	23,26,H172	36 - 2.312	41 1/2"	T 8 - 41/64"
S-6474	110886	1140	17220,34,340,341	39 - 2.000	41 5/16"	T12 - 17/32"
S-8436	110888	—	DS,RS-381,402	41 - 2.100	41 5/16"	S 8 - 41/64"
S-F124	110889	1215	DS,RS-461	36 - 2.062	40 7/8"	S 8 - 33/64"
S-F125	111544	1141	15040S,T	34 - 1.850	38 3/4"	T 8 - 33/64"
S-9733	113645	1139	16620	36 - 1.850	40 9-16"	T12 - 17/32"
S-6981	118866	1167	13020,15020	34 - 1.750	38 1/4"	T 8 - 5/8"
S-9511	119594	1150	17220,341	39 - 2.000	41"	S 8 - 41-64"
S-8903	119595	1151	18220,22220,381	41 - 2.100	40 3/4"	S 8 - 49/64"
S-E783	119927	—	19055S-D	39 - 2.000	40 29/32"	T 12 - 3/4"
S-B425	127138	—	DS461P	—	41"	—
S-D884	127437	1226	DS404,RS404	41 - 2.100	38 31/32"	S 8 - 5/8"
S-D885	127438	1227	DS404,RS404	41 - 2.100	43 5/16"	S 8 - 5/8"
S-E633	128516	—	DS454,RS404,22060S	41 - 2.100	38 31/32"	T 8 - .948"
S-9218	210512	1202	19050T-S	36 - 1.840	41 9/32"	T 12 - 17/32"
S-8893	D6TZ-4234-A	—	9" FORD	31 - 1 21/64	31"	S 5 - 9/16"
S-8892	E7TZ-4234-B	5435B	8.8" FORD	31 - 1 21/64	32"	S 5 - 5/8"
S-8894	14071750	PA5383	8.8" GM	30 - 1 19/64	30 1/2"	S 6 - 7/16"
S-A366	14071751	PA5569	8.8" GM	30 - 1 19/64	31 5/16"	S 5 - 7/16"
S-8896	26010416	PA5532	8.5" GM	30 - 1 19/94	32"	S 6 - 5/8"
S-B824	26013313	PA5561	8.5" GM	1.274	33 5/16"	S 5 - 5/8"
S-9830	26013882	PA5566	7.625" GM - 4WD	28 - 1 3/16	28	S 5 - 1/2"
S-6359	157518R2	983	RA355	20 - 2.093	39 5/8"	S 8 - 49/64"
S-4894	455460C1	1103	RA30	16 - 1.750	38 5/8"	S 8 - 37/64"

LATEST ADDITIONS TO OUR CATALOG

ALL PARTS SUPPLIED ARE S&S/NEWSTAR. USE OF OTHER MANUFACTURERS' NAMES, PART NUMBERS, OR TRADEMARKS ARE FOR INFORMATIONAL AND IDENTIFICATION PURPOSES ONLY. PRICES ARE SUBJECT TO CHANGE OR WITHDRAWAL WITHOUT NOTICE.

NEWSTAR REPLACEMENT AXLE SHAFTS

SUITABLE FOR ARVIN MERITOR, DANA®, DANA® (FORMERLY EATON),
GM, FORD, AND INTERNATIONAL TRUCK AXLES

NEWSTAR NUMBER	REPLACEMENT FOR PART NUMBER	INDUSTRY NUMBER	APPLICATION	SPLINE/ O.D.	LENGTH	T-TAPER/S-STRAIGHT NO. OF BOLT HOLES/SIZES
S-4896	455461C2	1102	RA29	16 - 1.875	39 1/2"	S 8 - 37/64"
S-3331	455463C2	1100	16220,244	16 - 1.875	39 1/2"	S 8 - 37/64"
S-4896	455464C2	1105	RA44,341	16 - 1.875	39 15/16"	S 8 - 37/64"
S-4971	571347C1	1163	RA29,30	36 - 1.850	39 1/8"	S 8 - 37/64"
S-9847	571348C2	1154	G155T,175T, N175,J175S,F170S,RA341	36 - 1.850	39 7/8"	S 8 - 37/64"
S-5892	571349C2	1161	N175,340,RA44,351,472	39 - 2	40 5/8"	S 8 - 41/64"
S-4972	571350C2	1156	RA47,355,472	41 - 2.100	40 3/16"	S 8 - 49/64"
S-7965	571351C2	1157	RA57,474,M460S	46 - 2.350	40 1/8"	S 8 - 49/64"
S-A704	577504C1	1152L	18202,22,302,22	41 - 2.125	42 3/4"	S 8 - 49/64"
S-A705	577505C1	1152R	18202,22,302,22	41 - 2.125	37 3/4"	S 8 - 49/64"
S-8903	577506C1	1151	18220,22220,381	41 - 2.100	40 3/4"	S 8 - 49/64"
S-9511	578778C1	1150	17220,341	39 - 2.000	41"	S 8 - 41/64"
S-6968	3202-R-3268	1043	SQHD	22 - 2.125	40 9/16"	T 8 - 41/64"
S-10183	3202-A-3459	1042	SSHD	23 - 2.250	38 7/16"	T 8 - 47/64"
S-6970	3202-X-3508	1037	R170	24 - 2.375	40 11/16"	T 8 - 41/64"
S-6972	3202-L-6356	1101S	SQHP	41 - 2.100	38 3/8"	T 8 - 41/64"
S-6973	3202-N-6358	1101L	SQHP	41 - 2.100	42 3/8"	T 8 - 41/64"
S-6974	3202-X-6472	1028	SLHD	21 - 2.000	40 5/16"	T 12 - 33/64"
S-6975	3202-L-6564	1024	SQHD	22 - 2.125	39 3/16"	S 8 - 49/64"
S-6977	3202-T-6728	1126L	SSHD	24 - 2.370	43 3/16"	T 8 - 41/64"
S-6978	3202-U-6729	1126S	SSHD	24 - 2.370	38"	T 8 - 41/64"
S-6980	3202-P-7816	1110	F106	34 - 1.750	38 3/8"	T 8 - 29/64"
S-D845	3202-U-7977	—	SSHD,RS-23-157, R255,U340	24 - 2.375	42 1/2"	S 8 - 25/32"
S-D846	3202-V-7978	—	SSHD,RS-23-157,R255,U340	24 - 2.375	37 21/64"	S 8 - 25/32"
S-6981	3202-Q-8389	1172	F106	34 - 1.750	38 1/4"	T 8 - 5/8"
S-11747	3202-B-8816	1184	160,161 & 164	46 - 2.350	44 1/8"	T 8 - 47/64"
S-12037	3202-H-8666	1187	RS-23-180,185,186	46 - 2.350	43"	T 8 - 47/64"
S-11916	3202-Q-8805	1183	23-160	46 - 2.350	37 5/16"	T 8 - 47/64"
S-A738	3202-J-8902	1175R	RS-17-220	36 - 1.850	41 35/64"	T 12 - 17/32"
S-A739	3202-L-8904	1175L	RS-17-220	36 - 1.850	40 9/32"	T 12 - 17/32"
S-9422	3202-W-8915	1180	21230	39 - 2	41"	T 8 - 41/64"
S-12038	3202-Y-8917	1188	RS-32-240	41 - 2.100	41 1/8"	T 8 - 47/64"
S-9422	3202-Q-8935	1181	21230	39 - 2	40 5/16"	T 8 - 41/64"
S-D890	3202-E-9001	1174R	RS-13-120,15-120, 15-125,15-210	34 - 1.750	38 39/64"	T 8 - 33/64"
S-D889	3202-F-9002	1174L	RS-13-120,15-120, 15-125,15-210	34 - 1.750	40 7/16"	T 8 - 33/64"
S-D888	3202-F-9340	1191	20-145,21-145	41 - 2.100	37 1/4"	T 8 - 41/64"
S-D887	3202-G-9341	1192	20-145,21-145	41 - 2.100	43 1/4"	T 8 - 41/64"
S-D886	3202-H-9342	1190	RD-RP-20-145,22-145, RR-20-145,22	41 - 2.100	43 1/4"	T 8 - 41/64"
S-11848	3202-S-9483	—	RS-20-145	41 - 2.100	38.04"	S 8 - 41/64"
S-A653	3206-W-1089S	—	R155-BUS	16 - 2.380	40.65"	T 10 - 43/64"
S-A654	3206-X-1090S	—	59723 COACH AXLE	16 - 2.380	44 23/32"	T 10 - 5/8"
S-9831	43651-1	—	80	37 - 1.60	37 5/8"	S 8 - 5/8"

LATEST ADDITIONS TO OUR CATALOG

ALL PARTS SUPPLIED ARE S&S/NEWSTAR. USE OF OTHER MANUFACTURERS' NAMES, PART NUMBERS, OR TRADEMARKS ARE FOR INFORMATIONAL AND IDENTIFICATION PURPOSES ONLY. PRICES ARE SUBJECT TO CHANGE OR WITHDRAWAL WITHOUT NOTICE.

REPLACEMENT DIFFERENTIAL BEARING, SEAL AND GASKET KITS

NEW STAR NUMBER	REPLACEMENT FOR INDUSTRY NUMBER	REPLACEMENT FOR PART NUMBER	DESCRIPTION
S-9552	RA1	99051	DANA@(FORMERLY EATON)34,38,42 RP,RS,RT340,380,400,17,18 SERIES
S-9553	RA1A	99041	DANA@(FORMERLY EATON) 34,38,RP,RT W/ CONICAL CARRIER
S-9706	RA9R	KIT-4025	MERITOR LHR,QHR 1 3/16" PINION W/ RATIOS ABOVE 4.63
S-9705	RA9RB	KIT-4010	MERITOR LHR,QHR 1 3/8" PINION W/ RATIOS ABOVE 4.63
		KIT-1915	
S-9779	RA9RC	KIT-1916	MERITOR LHR,QHR W/ RATIOS 4.63 & BELOW
		KIT-4005	W/ 1 3/8" PINION
S-9554	RA18E	99096	DANA@(FORMERLY EATON) 44RS,23130,23131
S-9555	RA23D	99050	DANA@(FORMERLY EATON) 16244,247,344,16220 W/ 15 1/2" RING GEAR
S-9557	RA50	KIT-1924	MERITOR R170,SW170
		KIT-4110	
S-9558	RA64FD	99044	DANA@(FORMERLY EATON) 34,38DS, W/ CONICAL CARRIER
S-9559	RA72A	107670	DANA@(FORMERLY EATON) 44RP,RT,19-220,221,RP,RT440,460,480
S-9560	RA170	8873475	GM T170 ALL, 150 PRIOR TO 1983
S-9561	RA172FB	KIT-1923	MERITOR,SSH D W/ INVOLUTE
		KIT-4080	
S-9562	RA172R	KIT-1922	MERITOR,SHR,R SERIES,PR
		KIT-4105	
S-9564	RA192FA	—	INTERNATIONAL RA351,355
S-9565	RA192FB	—	INTERNATIONAL RA351,355 (LATE)
S-9566	RA192RB	—	INTERNATIONAL RA42,44,351,355,472 (RR)
S-9567	RA193	99045	DANA@(FORMERLY EATON) DP,DS,DT 340,380,400
S-9568	RA194RA	KIT-1976	MERITOR,SQAR W/ 2"-39 SPLINE
		KIT-4045	
S-9569	RA194RB	KIT-4065	MERITOR,SLR,SQR
S-9570	RA194F	KIT-1912	MERITOR,SQHP,SL,SQ100
		KIT-4035	
S-9571	RA196	114394	DANA@(FORMERLY EATON) DS,341,381,381P,401P
S-9572	RA200F	—	INTERNATIONAL RA472 W/ INVOLUTE
S-D792	RA200FA	—	RA472 W/ INVOLUTE SPLINES-LATE DESIGN
S-9573	RA201F	—	INTERNATIONAL RA474 W/ INVOLUTE
S-9574	RA201R	499688C91	INTERNATIONAL RA57,474 (RR) W/ INVOLUTE
S-9575	RA202	504266C91	INTERNATIONAL RA30
S-9576	RA205	205-SP-71	MACK CRD93,113
S-9577	RA206	205-SP-72	MACK CRDLP92,CRDPC,112
		205-SP-73	
S-9755	RA207	—	DANA@(FORMERLY EATON) DP,DT341,381P,401P,402P,451P
S-B069	RA208	—	DANA@(FORMERLY EATON) DS440P,460P,461P,521P,581P
S-A087	RA210	—	DANA@(FORMERLY EATON) DP440P,DT440P,DT460P,DP480P
S-B008	RA211F	—	DANA@ DS,DT461
S-9578	RA217F	—	MERITOR RD,RP-17-145,20-145,22-145,34-145,40-145,44-145
S-A574	RA217R	—	MERITOR RR-17-145,20-145,22-145,RS-21-145,RT-34-145,40-145,44-145
S-9839	RA218	KIT-4340	MERITOR RS-13-120,15-120
S-C672	RA219R	—	MERITOR RP,RT461,521,601
S-A430	RA221	—	DANA@(FORMERLY EATON) 19050S
S-9579	RA222F	—	DANA@(FORMERLY EATON) DS341,402,451 AFTER 4/6/89
S-9580	RA222R	—	DANA@(FORMERLY EATON) RS341,402,451 AFTER 4/6/89
S-9893	RA223F	1665-333-C91	INTERNATIONAL N400
S-A469	RA223R	1665-329-C91	INTERNATIONAL N400 REAR
S-A575	RA224	—	MERITOR RR-20-145,RS-21-145,RT-40-145
S-9530	RA303	—	CHRYSLER 8.25",8.375"
S-9531	RA304	—	CHRYSLER 9.25"
S-9533	RA311	—	FORD 8.8"
S-D585	RA311F	—	FORD 8.8" FRONT-1997 AND LATER
S-9537	RA314	—	FORD 10.25"
S-9538	RA315	—	FORD 7.5"
S-D582	RA316	—	FORD 9.75" 1997 AND LATER

NEWSTAR REPLACEMENT DIFFERENTIAL BEARING, SEAL AND GASKET KITS

NEWSTAR NUMBER	REPLACEMENT FOR INDUSTRY NUMBER	REPLACEMENT FOR PART NUMBER	DESCRIPTION
S-D583	RA316A	—	FORD 9.75" 1999 AND LATER
S-D584	RA317	—	FORD 10.25" 1999 AND LATER
S-9539	RA320	—	GM 7.5"
S-9540	RA321	—	GM 8.5"
S-D580	RA321CMK	—	GM 8.5"- 1999 AND LATER
S-9541	RA322	—	GM 8.875" LATE
S-9542	RA323	—	GM 8.875" EARLY
S-9543	RA324	—	GM 9.5"
S-9544	RA325	—	GM 10.5" EARLY
S-9545	RA325A	—	GM 10.5" LATE
S-9546	RA331	—	DANA® 60
S-9547	RA332	—	DANA® 70
S-9549	RA334	—	DANA® 30AF
S-D579	RA334TJ	—	DANA® MODEL 30-1997 AND LATER
S-D578	RA336	—	DANA® 50IFS-1980 AND LATER
S-C104	RA337	—	DANA® MODEL 80
S-B937	RA404F	—	DANA®(FORMERLY EATON) DS404
S-B938	RA404R	—	RS404
S-9582	RA900F	KIT-1913 KIT-4000	MERITOR SLHD,SQHD
S-C545	RA4390	KIT-4390	MERITOR RS-21-145,RT-40-145,44-145 AFTER 11/93
S-C546	RA4396	KIT-4396	RT-34-145, 40-145,44-145 AFTER 11/93
S-C547	RA4405	KIT-4405	RT-40-145,44-145 BEFORE 11/93
S-C548	RA4406	KIT-4406	RT-44-145 AFTER 11/93
S-C549	RA4415	KIT-4415	RS-23-160,23-161,26-160,46-160,52-160
S-F245	RA4420	KIT-4420	RT-46-160,52-160
S-C550	RA4423	KIT-4423	RT-46-140,52-160
S-C551	RA4426	KIT-4426	RS-23-160,23-161,26-160,RT-46-160,52-160
S-C552	RA4428	KIT-4428	RS-23-160,23-161,26-160,46-160,52-160
S-C553	RA4435	KIT-4435	RS-23-180,RT-48-180,52-180,58-180
S-C554	RA4437	KIT-4437	RD-23-180,RT-48-180,52-180,58-180

NEWSTAR REPLACEMENT DIFFERENTIAL MASTER BEARING, SEAL AND GASKET KITS

REPLACEMENT INSTALLATION KITS CONSISTING OF ALL NEEDED BEARINGS, SHIMS, SEALS, SLEEVE, PINION NUT, BOLTS and GASKETS

NEWSTAR NUMBER	REPLACEMENT NUMBER	REPLACEMENT FOR TIMKEN NUMBER	DESCRIPTION
S-8682	RA60	TS60R	60 DANA®
S-8683	RA70	TS70R	70 DANA®
S-8468	R9AXB	TF931R	9" FORD
S-8517	R88XB	TF88R	8.8" FORD
S-8475	R1025XB	TF1025R	10.25" FORD
S-8477	R625GXB	TGM75R	7.5" GM
S-8536	R10FRXB	TGM85R	8.5" GM
S-9232	R12RXB	TGM878R	8.8" GM
S-8535	R1495XB	TGM95R	9.5" GM
S-8495	R14XB	TGM105R	10.5" GM

LATEST ADDITIONS TO OUR CATALOG

ALL PARTS SUPPLIED ARE S&S/NEWSTAR. USE OF OTHER MANUFACTURERS' NAMES, PART NUMBERS, OR TRADEMARKS ARE FOR INFORMATIONAL AND IDENTIFICATION PURPOSES ONLY. PRICES ARE SUBJECT TO CHANGE OR WITHDRAWAL WITHOUT NOTICE.

NEWSTAR BEARINGS

BEARINGS FOR LIGHT, MEDIUM AND HEAVY DUTY TRANSMISSION AND AXLE APPLICATIONS



CYLINDRICAL BEARING ASSEMBLIES

NEWSTAR NUMBER	REPLACEMENT FOR INDUSTRY NUMBER	REPLACEMENT FOR PART NUMBER
S-A001	118L	81548 5566504 1228-Z-260
S-12072	203FF	_____
S-12073	204FF	_____
S-12074	205FF	_____
S-5504	205SS	FP62052RS2 ST-518
S-F491	206FF	453879R91
S-13439	207	_____
S-D953	208L	_____
S-A004	211B	1228-V-204
S-D991	305SS	_____
S-A005	306DD	_____
S-A006	306DD.5	_____
S-A007	306DDL	_____
S-A008	306DDL.5	_____
S-5940	306SS	ST-623 FP63062RS2
S-A012	306SSL.5	_____
S-A013	308L	81519 81531
S-A014	308L1	_____
S-A015	N309L	_____
S-A016	N1211L	_____
S-A017	1211SL	92695
S-A018	1212SLV	81504
S-A019	1308L	81031
S-13521	1309L	81022
S-A020	1310L	81052 1228-A-26
S-13221	1311L	81012
S-C034	1310SLV	81057
S-C100	7211HFL	550988
S-C101	7211HL	550989
S-C031	BS226539V	4304080
S-C030	BS500052V	4302712
S-C032	BS500192S	4304598
S-C102	F208323	550991
S-A022	MA1209EL	67-AX-291, 46584
S-11966	MG1212RUMW3	4301417
S-A023	MSN1211REX	20899

CYLINDRICAL BEARING ASSEMBLIES CONTINUED

NEW STAR NUMBER	REPLACEMENT FOR INDUSTRY NUMBER	REPLACEMENT FOR PART NUMBER
S-A024	MR1307EL	8879
S-A025	MU1307TM	1228-F-136
S-A026	MUS1307TM	67-AX-210, 129175, 15828
S-A027	MU1308TV	14366
S-A791	MUSB7307UM	127051
S-A028	MU1308UM	1228-X-154
S-C032	MS1309GEXR	19551, 4304598
S-C026	MU61307GUM	4300828
S-C028	NP656227/NP896049	4301851
S-A031	RU1570UM	1228-F-552
S-A032	R1581TV	—
S-C632	RU9008UM	1228-B-1042

NEEDLE BEARING AND RACE ASSEMBLIES

NEW STAR NUMBER	REPLACEMENT FOR INDUSTRY NUMBER	REPLACEMENT FOR PART NUMBER
S-F218	F81205	550932
S-A037	FA35688	235382 96828
S-9986	JB53851	497584C1
S-11979	Q8308	488847C1
S-11978	Q8371	497585C1
S-11980	RA53421	487869C1
S-A038	WJ162116	550886, 15045

TAPERED ROLLER BEARINGS

NEW STAR NUMBER	REPLACEMENT FOR INDUSTRY NUMBER	REPLACEMENT FOR PART NUMBER
S-A039	382A	142223
S-D993	382S	—
S-D994	387A	—
S-A040	387AS	9412408
S-11869	392	—
S-D997	395	—
S-A041	453X	BB-1239-A
S-A042	469	EOTZ-1244-A
S-A043	493	9803
S-E118	495	GGA-HB-101
S-A044	497	27813
S-E272	576	—
S-D985	593	—
S-D985	594	—
S-D987	612	64-AX-90
S-E875	2065	—
S-D956	2135	—
S-D988	2759	—
S-D716	2924	—
S-C526	3782	1008586
S-D995	3920	—
S-D996	3925	—
S-4601	3979	91136

TAPERED ROLLER BEARINGS CONTINUED

NEWSTAR NUMBER	REPLACEMENT FOR INDUSTRY NUMBER	REPLACEMENT FOR PART NUMBER
S-D709	11520	—
S-D708	11590	—
S-E717	14131	—
S-E718	14276	—
S-D711	18520	—
S-D710	18590	—
S-D576	23100	705436
S-D577	23256	706845
S-F000	24721	—
S-E999	24780	—
S-13441	25520	550375
S-13442	25580	550182
S-10468	25821	550228
S-D712	25877	550183
S-D989	28521	—
S-D990	28580	—
S-D715	28622	706873
S-D714	28682	705472
S-13520	28921	—
S-C594	28985	—
S-B848	29620	110811
S-A047	29630	127536
S-A048	29675	110812
S-F224	31594	710787
S-A049	31597	—
S-D992	33287	—
S-D718	33891	—
S-E038	45220	—
S-5237	47678	ST2112
S-A050	47820	550277
S-A051	47890	550273
S-A052	55200C	12496
S-11512	55212C	127535
S-A053	55437	12495
S-10518	56425	27817
S-10517	56650	27816
S-A054	72200C	45460, 119231
S-A055	72212C	14218
S-A650	72218C	85439
S-A056	72225C	—
S-6654	72487	14217, FP72487
S-11917	A-1400	1677057C91
S-E918	A2892	15260
S-13518	A3071	14367
S-F450	FWA1830	14287
S-A058	M88010	B7A-4616-A
S-A059	M88048	B7A-4621-A
S-A062	JLM104910	550899
S-A063	JLM104949	565905
S-F476	LM501310	64AX292
S-A064	LM501314	C6TZ-4222-A
S-A065	LM501349	B7A-4221-A
S-A066	JLM506811	—
S-A067	JLM506849A	—

LATEST ADDITIONS TO OUR CATALOG

ALL PARTS SUPPLIED ARE S&S/NEWSTAR. USE OF OTHER MANUFACTURERS' NAMES, PART NUMBERS, OR TRADEMARKS ARE FOR INFORMATIONAL AND IDENTIFICATION PURPOSES ONLY. PRICES ARE SUBJECT TO CHANGE OR WITHDRAWAL WITHOUT NOTICE.

TAPERED ROLLER BEARINGS CONTINUED

NEW STAR NUMBER	REPLACEMENT FOR INDUSTRY NUMBER	REPLACEMENT FOR PART NUMBER
S-A068	JM511910	98388, 550929
S-11492	JM511945	—
S-A069	JM511946	98387, 550930
S-A070	LM603012	D9AZ-4222-A
S-A071	LM603049	B7A-4221-B
S-A072	JLM710910	630695C1
S-A073	JLM710949C	630694C1
S-A074	H715311	FPH715311
S-A075	H715334	1228T592
S-A076	H715343	FPH715343
S-A077	JM716610	—
S-A078	JM716649	—
S-A079	M802011	C7AZ-4628-A, 1314774
		C7AZ-4630-A
S-A080	M802048	1314773
		C7AZ-4630-A
S-A081	HM803110	457337
S-D998	HM803146	—
S-A082	HM803149	9426883
S-D999	HM804810	—
S-E000	HM804846	—
S-A083	HM807010	35502
S-E001	HM807044	—
S-A084	HM807049	110846
S-E002	HM813810	113869
S-E003	HM813843	—
S-E008	HM88610	—
S-E009	HM88649	—
S-E010	HM89210	—
S-E011	HM89249	—
S-E012	HM89410	—
S-E013	HM89449	—
S-13443	LM603011	—

NEW STAR REPLACEMENT OIL SEALS

APPLICATION: C/R AND NATIONAL



NEW STAR NUMBER	REPLACEMENT FOR INDUSTRY NUMBER	REPLACEMENT FOR PART NUMBER
S-9295	2043	19273
S-9296	2286	21955
S-9297	3604	18190
S-9298	3896	19314
S-5234	3905	—
	(TRIPLE LIP SEAL)	
S-9299	4278	18024
S-10379	4624V	—
S-E014	4876N	—
S-9300	7044NA	18264
S-9321	8460N	17190
S-9301	8610	15305
S-9302	8622	19277
S-9303	9316	18991
S-5366	9773	26373
S-4728	35009N	27452, 415960
S-7199	35949N	29273, 476500N
S-B435	4562V	30163
S-A941	4544V	—
S-A942	100494	—
S-D978	412015V	—
S-7205	415009	27470
S-7208	415013N	29925
S-9704	415027	6950
S-9222	415082	—
S-F307	415086	30055
S-8604	415146	415991N
S-8603	415272N	—
S-4710	415322N	27295, 417484, 475322
S-4366	415983N	37330
S-D545	417484	—
S-4676	455062	44630
S-D979	455379V	—
S-A928	470625V	—
S-A936	471271	—
S-A720	473274N	4561V
	(TRIPLE LIP SEAL)	
S-7207	475003N	26220
S-8250	475012N	—
S-A630	476023N	29872, 415281, 417349
S-11764	477163N	070HH139
S-5478	710008	30148
S-A935	710211	—
S-5694	712937	29471
S-4528	713750	—
S-13369	714655	—
S-A947	KIT-5389	MERITOR TRANSMISSIONS

ADDITIONAL CATALOGS AVAILABLE



DRIVELINE COMPONENTS

INCLUDING:

- SLIP YOKES
- END YOKES
- CENTER BEARINGS
- STRAP KITS
- UNIVERSAL JOINTS



AIR / HYDRAULIC SYSTEMS COMPONENTS

INCLUDING:

- AIR BRAKE VALVES
- SPRINGBRAKES
- WHEEL END PARTS
- CALIPERS
- TRANSMISSION AIR VALVES
- EMERGENCY BRAKE SHOES



CHASSIS COMPONENTS

INCLUDING:

- TIE ROD ENDS
- KING PIN KITS
- DRAG LINKS
- SPRING PINS
- SHACKLES
- BUSHINGS



STEERING COMPONENTS

INCLUDING:

- POWER STEERING PUMPS
- PUMP MASTER SEAL KITS
- STEERING GEAR BOXES
- GEARBOX MASTER SEAL KITS
- GEARBOX SECTOR SHAFTS, BUSHINGS



PTO COMPONENTS

INCLUDING:

- COMPLETE PTO ASSEMBLIES
- DUMP PUMPS
- PTO DRIVELINE COMPONENTS
- CABLES
- CONTROL VALVES



S & S WARRANTY

We warrant all new parts against defective material or workmanship when such parts are used in appropriate applications. We will NOT extend this warranty to parts where failure or damage was caused by misapplication, accident, or abuse.

Unless otherwise stated, authorization from your salesperson is required to initiate any return for warranty. If our examination shows the parts to be defective, we will replace such parts free of charge. This warranty extends solely to replacement of defective parts; we disclaim liability for labor and/or special or consequential damages of any nature.

If it is necessary to return any parts under this warranty, the buyer agrees to wait for settlement of his claim before any deductions are made in payments to S & S. Any expenses incurred without the consent of S & S will be disallowed.

NEW★STAR

PARTS COMPONENT GROUP



Established in 1954, S & S Truck Parts, Inc. is one of the largest independent suppliers of replacement truck parts in the world. Traditionally known as a drive train gear specialist, S&S has aggressively expanded its product range with the **NEW★STAR** PARTS COMPONENT GROUP

Under the **NEW★STAR** label, S&S supplies many of the fastest-moving parts and components in the following categories: Powertrain, Transmission, Differential, Chassis, Drive Line, Hydraulic, PTO, Power Steering, and Air Brake Parts.

S & S TRUCK PARTS, INC.

600 W. IRVING PARK ROAD , SCHAUMBURG, ILLINOIS 60193
 LOCAL PHONE :847-584-2000
 TOLL FREE:1-800-621-1553 ORDER DESK
 LOCAL FAX :847-584-3000
 TOLL FREE FAX :1-800-621-1558
 MEXICO TOLL FREE :001-800-727-8373
 E-MAIL ADDRESS :INFO@SANDSTRUCK.COM

ALSO THREE CANADIAN LOCATIONS TO SERVE YOU:

6460 KESTREL ROAD
 MISSISSAUGA, ONTARIO
 L5T 1Z7
 TEL : 905-564-7100
 FAX : 905-564-3485
 1-800-363-4148

19272-96TH AVENUE, UNIT #15
 SURREY, BRITISH COLUMBIA
 V4N 4C1
 TEL : 604-882-2577
 FAX : 604-882-3898
 1-800-665-4327

16210-114 AVENUE
 EDMONTON, ALBERTA
 T5M 2Z5
 TEL : 780-454-1010
 FAX : 780-454-1555
 1-800-665-4327

VISIT OUR WEBSITE AT WWW.SANDSTRUCK.COM

AMERICAN EXPRESS, MASTERCARD AND VISA ACCEPTED

