

ISO 9001:2000 CERTIFIED

## Standard Parts Catalog

Designers & Manufacturers  
of Knobs, Handles, Cases &  
Custom Plastic Components



---

CLAMPING KNOBS

---

CONTROL KNOBS

---

BALL KNOBS

---

LEVER KNOBS

---

PUSH/PULL KNOBS

---

APPLIANCE KNOBS

---

SPECIALTY KNOBS

---

PLASTIC HANDLES

---

GENERAL PURPOSE HANDLES

---

ALUMINUM HANDLES

---

STAINLESS STEEL HANDLES

---

MULTIPURPOSE HANDLES

---

CLEAN LINE COMPONENTS

---

CASES & COVERS

---

CUSTOM PLASTIC COMPONENTS

# Table of Contents

\* Click below on any product heading or page number to go directly to that page.

## Information

General Information.....	3-6
Secondary Operations.....	7
Custom Molding.....	112

## Clamping Knobs

Bar.....	8-9
Three Arm.....	10
Four Arm.....	11
Five Arm.....	12
Six Arm.....	12
Trigon.....	13
Husky.....	13
Round Grip.....	14
Fluted Clamping.....	15
Knurled/Scalloped.....	16-17
Mini Clamping.....	18
Octagonal.....	19
Dominator.....	20
Leo.....	21

## Control Knobs

Instrument.....	22-24
Pointer.....	25-26
Skirted.....	27
Large Fluted w/Skirts.....	28

## Ball Knobs

Deluxe Ball.....	29
Standard Ball.....	30
Thermoplastic Ball.....	31
Lever.....	32-33

## Push Pull.....

## Handles

Tapered.....	36
Fluted Tapered.....	37
Two Point.....	38
Ratchet.....	39
Adjustable.....	40
Fixed Position.....	41
Appliance.....	42
Side.....	43

## Appliance

Feet.....	44
Levelers.....	44

## Specialty Shapes.....

## Cases and Covers

Cases.....	46-47
Covers.....	46-47

## General Purpose Handles

Handle System HS-30.....	48-49
Handle Series RR.....	50
Handle Series MS.....	51
Handle Series BP.....	52
Handle Series M1-M5.....	53-57
Handle Series KG.....	58
Handle Series KB.....	59
Cranked Machine Handles AM.....	60

## Aluminum Handles

Handle Series R.....	61-62
Aluminum SK Series.....	63
Aluminum S Series.....	64
Aluminum RA Series.....	65
Aluminum AE Series.....	66
Aluminum MF Series.....	67
Aluminum OA Series.....	68
Aluminum MG Series.....	69
Aluminum MO Series.....	70

## Steel Handles

Round Bar Steel ST Series.....	71
Round Bar Steel MK Series.....	72
Stainless Steel EF Series.....	73
Round Bar SS Series.....	74

## Plastic Handles

Plastic BD Series.....	75
Plastic RG Series.....	76
Handle Series GS.....	77
Ledge Handles LG.....	78-79

## Multipurpose Handles

Multipurpose F Series.....	80-81
Multipurpose RS Series.....	82-83
Multipurpose UG Series.....	84-87
Extension Legs GZ.....	88
Casing Feet GK.....	89
Casing Feet GG.....	89
Functional Handles FG.....	90-91
Pull-Out Carrying Handles MA.....	92

## Clean Line

Handle Series RA and AE.....	93
Handle Series M1 and M4.....	94-95
Handle Series OA and MF.....	96
Handle Series MO.....	97
Handle Series R1 and S1.....	98
Handle Series AB and AG.....	99
Handle Series MG.....	100
Handle Series ET.....	101
Handle Series SG.....	102
Handle Series KM.....	103
Handle Series SK.....	103
Handle Series W1/W2.....	104
Handle Series W3.....	105
Handle Series U1.....	106
Handle Series KL.....	107
Series BT.....	108
Series BL.....	109
Series BM.....	110
Handle Series BS.....	111



# Davies Molding, LLC

As a designer and manufacturer of top quality plastic components, Davies Molding provides more than 70 years of molding experience to our customers. We specialize in insert-equipped standard and custom thermoplastic and thermoset plastic parts. Davies is known for having the world's most extensive line of knobs. Our standard product line also includes a diversified selection of handles and cases. Secondary operations include hot stamping, drilling, pad printing, and engraving. Davies' progressive, new management is dedicated to offering you the best possible customer service, including prompt quotes and expeditious fulfillment. Utilizing the latest 3-D CAD software, our engineers can help you create innovative plastic parts. In addition to molding, Davies offers contract manufacturing, assembly and packaging for the value-added performance you expect from a supplier.

## Representative Industries Served, But Are Not Limited To:

- Electronics
- Instrumentation
- Industrial/Machinery
- Power Tool
- Food Processing
- Medical/Laboratory
- Cookware
- Recreation/Fitness
- Lawn & Garden

## Press Capabilities:

- Thermoset Compression:  
(42) from 50 ton to 350 ton
- Thermoset Compression Transfer:  
(6) from 75 ton to 150 ton
- Thermoset Injection:  
(5) from 75 ton to 400 ton
- Thermoset Rotary:  
(1) 20 ton and 10 station  
(1) 15 ton and 20 station
- Thermoset Shuttle  
(1) 220 ton  
(1) 150 ton
- Thermoplastic Injection:  
(20) from 25 ton to 400 ton
- Thermoplastic Rotary:  
(2) 120 ton
- Thermoplastic 2 Shot:  
(1) 110 ton

## Secondary Operations/Finishing Services:

- Hot Stamping
- Drilling
- Pad Printing
- Engraving
- Ultrasonic Welding
- Branding
- Paint Fill
- Decorative Pointers
- Machining
- Turning
- Tapping
- Bagging
- Buff and Polish
- Sand Blasting
- 3-D CAD Imaging
- Assembly
- Packaging
- Custom Color
- Silk Screen
- Decorative Inlays
- Plating on Plastics

# General Information

This is a catalog of standard plastic parts for which we have proprietary tooling. We offer you these parts for your purchase without any tooling cost being involved. If your product requires a slight variance from our listings, it is likely it can be furnished to you at a moderate cost.

It is not our intent to keep in stock all of the many variations described in this catalog. However we endeavor to keep all standard raw materials on hand in order that delivery lead times will be kept to a minimum.

Davies Molding guarantees that it will supply its customers with parts which are of good commercial quality. These parts are to be free of cracks and blisters, and are of mechanical strength commensurate with the plastic material used and the design of the product. Specific requirements can be met with tooling and/or material changes. Please contact customer service for guidance.

Davies Molding has no control over the end use of its products; therefore, we cannot accept liability for any loss or failure incurred by the purchaser other than replacement of items which we manufactured that are judged to be of less than good commercial quality. Customer acceptance of a shipment from Davies Molding will constitute acknowledgement that the parts are of good commercial quality.

The appearance of our parts will be deemed to be of good commercial quality when flaws are not noticed under the following conditions: viewed in normal incandescent or fluorescent light at a distance of at least 24 inches and for a period of not more than 3 seconds. Again, special appearances requirements can be met – contact customer service.








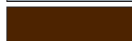

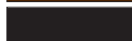



We suggest that our customers obtain a sample and test the part under the proposed end use conditions. Such samples are generally readily available at a modest charge, if any.

Claims for defective molded parts are not recognized if the part has been assembled, machined, altered or finished in any way after delivery to the customer.

## Colors

The standard color (as supplied to us) for phenolic (thermoset) material is black. Other colors are available at a slightly increased price. See below for the available standard colors in thermoset and thermoplastic.

Thermoplastic materials have a very wide range of available colors. In many cases we can match your color target. Again, there is an increase in price reflecting the cost of the color. We will be happy to assist you in making a color selection.

	2300-13 Red		732-25 Orange		732-16 Blue		732-03 Grey
	2567 Red		732-17 Tan		732-18 Yellow		548 Oak Mottle
	732-01 Red		02300 Green		732-20 White		001 Black
	732-13 Red		732-14 Green		732-15 Grey		002 Brown

\*Colors shown may not represent actual color— Please call for a sample.



# General Information

## Customer-Owned Material, Artwork, Supplies, Tooling

Davies Molding will store customer-owned material, artwork, supplies and tooling for use on future order requirements at no charge to customer. Items that have had no activity within any two year period will be considered of no value, and we will notify the owner of this situation and request disposition. The customer's failure to respond to our letter will leave the disposition of the items at the discretion of Davies Molding at no cost or obligation.

## Terms & Conditions

For production parts, our terms are Net 30 days, F.O.B. our dock. Penalties for late payment will be assessed at a rate of 1.5% per month on the unpaid balance. All tool charges are due 50% with order and balance upon completion of tooling. Less than \$500.00 total tooling is due with order. Additional terms for custom molding are listed on our quotation forms.

## Quantity Variance

We reserve the right to over or under ship 10% of order or release quantities. A greater percentage may be necessary for colors other than black and special inserts. Should exact quantities be mandatory, consult the factory for the premium charge necessary for this special requirement.

## Damage, Shortage

Damages or shortages in shipments en route: Our responsibility does not extend beyond our plant. Examine all shipments carefully before the delivering carrier leaves your premises. Where damage or shortage has occurred, be sure and have the freight bill (truck freight shipments) show this and have it signed by the driver. Parcel post damages are to be reported to us immediately. United Parcel Delivery damages are to be taken up with the driver making the delivery. Concealed damage claims must be made within forty-eight hours. In all instances we will attempt to assist you in securing adjustment providing you follow the above recommendations.

### Threaded Insert:

- Common Names: Female Insert, Blind Insert, or Internal Threads.
- Standard Material: \* Brass or steel, zinc plated.
- Features: Molded into the plastic to provide optimum strength.



### Threaded Insert Thru-Hole:

- Common Name: Thru-Hole Insert.
- Standard Material: \* Brass or steel, zinc plated.
- Features: Molded into the plastic to provide optimum strength.



### Projecting Stud:

- Common Names: Male Insert, Stud, or External Threads.
- Standard Material: \* Steel, zinc plated.
- Features: Molded into the plastic to provide optimum strength.



### Bushing:

- Standard Material: \* Brass or steel, zinc plated.
- Features: Molded into the plastic to provide optimum strength, no internal threads, and can be used in conjunction with set screws.



### Set Screw:

- Standard Types: Slotted (pictured right, top) and socket head (pictured right, bottom)
- Standard Material: Steel, zinc plated, or black oxide finish.
- Features: One or multiple set screws used to keep knob in place (used in conjunction with a bushing or plain hole).



### Hex Nut:

- Standard Types: Standard (pictured right, top) or with a nylon locking ring (pictured right, bottom).
- Standard Material: Steel, zinc plated.
- Features: Molded into the plastic to provide optimum strength; thru-hole; nylon locking ring prevents loosening.



### Cap or Disk:

- Standard Material: Aluminum.
- Features: Used for decoration, or as a pointer when an indicator line is present; a disk is recessed (pictured right, top) and a cap is raised (pictured right, bottom).



\* Stainless steel inserts available upon request

# General Information

## Material

Davies Molding uses only the best molding materials available. We select these materials based on the end use of the product. Some of our items are produced from thermoset materials while others are thermoplastic. Our catalog describes the type material used in each product or product family. Only occasionally can substitutions be made, as the process is different for different materials.

These raw material specifications shall not be construed as creating an express warranty. The specifications are approximate and are intended to serve only as guides and not as the basis of any sale, agreement, or contract, or of any goods sold. Davies Molding reserves the right to change the raw material of any of the goods contained in this catalog without notice to any buyer. Further, these raw material specifications have been provided by the manufacturer and Davies Molding does not warrant their accuracy.

## GENERAL AVERAGE CHARACTERISTICS: THERMOSET and THERMOPLASTIC

### GENERAL PURPOSE PHENOLIC

Notched IZOD Impact-FT. LBS/IN	0.27 – 0.32
Tensile Strength at Break P.S.I.	5,000 MIN.
Hardness	Rockwell M100-115
Heat Resistance	325°F (163°C)
UL Flammability Rating	94V-0
Colors Available	Standard Black, Brown

### HEAT RESISTANT PHENOLIC

Notched IZOD Impact-FT. LBS/IN	0.29
Tensile Strength at Break P.S.I.	8,500 MIN.
Hardness	Rockwell M100-115
Heat Resistance	400°F (204°C)
Special Order	450°F (232°C)
UL Flammability Rating	94V-1
Colors Available	Standard Black, Brown

### MELAMINE PHENOLIC

Notched IZOD Impact-FT. LBS/IN	0.29
Tensile Strength at Break P.S.I.	6,200 MIN.
Hardness	Rockwell M100-115
Heat Resistance	300°F (149°C)
UL Flammability Rating	94V-0
Colors Available	Standard Black, Brown Limited to select colors manufactured by our supplier

### 30% GLASS FILLED NYLON

Notched IZOD Impact-FT. LBS/IN	2.1
Tensile Strength at Break P.S.I.	26,000
Hardness	Rockwell R-120
Heat Resistance	480°F (249°C)
UL Flammability Rating	HB
Colors Available	Natural, Black

### GENERAL PURPOSE 6/6 NYLON

Notched IZOD Impact-FT. LBS/IN	1.0
Tensile Strength at Break P.S.I.	11,000
Hardness	Rockwell R-118
Heat Resistance	160°F (71°C)
UL Flammability Rating	HB
Colors Available	Natural, Black

### 20% TALC FILLED POLYPROPYLENE

Notched IZOD Impact-FT. LBS/IN	1.5
Tensile Strength at Break P.S.I.	3,000
Hardness	Rockwell R-65

\*Most colors can be matched

## Packaging

Davies uses quality commercial packing for its shipments. Special packaging is available and will be quoted upon written request prior to receipt of orders.

Special note: While we do not claim to use premium packaging, we always try to assure that it is functional. We have studied our packaging with packaging consultants. We have been assured that our method of packaging is suitable for shipping but not for the abusive handling that can occasionally occur in mail and U.P.S. type shipments. These carriers are prepared to accept claims made for damage in transit.



# Secondary Operations

Illustrated on this page are some of the more than 1,000 parts that have been customized to provide our customers with specific logos, calibrations or decoration to enhance the unit to meet customer needs, with a minimal amount of tooling. Send us your sketch or print for quotation.











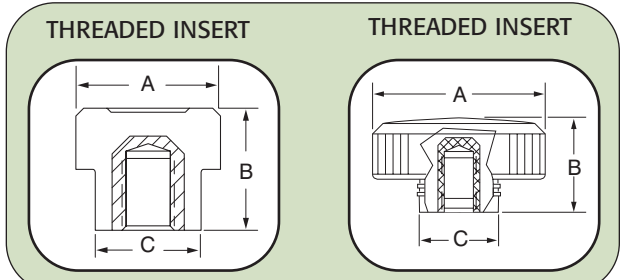




# Trigon

Very durable knob in our popular triangular shape. Available in both thermoplastic and phenolic materials.

Engraving, hot stamping, and pad printing available for all parts.



3070/3071

3076

3072/3073/3075

Material Type	Part No.	A Dia.	B Current Part Height	Part Height Capab.	C Hub Dia.	Threaded Female Insert						Threaded Male Stud*						Threaded Female Insert Thru-Hole																							
						8-32	10-24	10-32	1/4-20	1/4-28	5/16-18	3/8-16	3/8-24	1-2/13	1/2-20	8-32	10-24	10-32	1/4-20	1/4-28	5/16-18	5/16-24	3/8-16	3/8-24	1-2/13	1/2-20	8-32	10-24	10-32	1/4-20	1/4-28	5/16-18	5/16-24	3/8-16	3/8-24	1-2/13	1/2-20				
TP	3070	3/4	33/64, 5/8, 23/32	.813-1.000	15/32	■	■	■	■	▲						■	■	■	■				■	■	■	■	▲	■	■	■	■	▲									
TP	3071	1	13/16	.625-1.000	5/8	■	■	■	■	▲	■	■	■	■	■								■	■	■	■	■	■	■	■	■	■	■	■	■	■	■	■	■	■	
TP	3076	2 1/4	1 7/64	N/A	23/32	▲	▲	▲	▲	▲	▲	▲	▲	▲	▲	▲	▲	▲	▲	▲	▲	▲	▲	▲	▲	▲	▲	▲	▲	▲	▲	▲	▲	▲	▲	▲	▲	▲	▲	▲	▲
TS	3072	1 1/4	5/8, 7/8	.625-1.000	3/4	▲	▲	▲	▲	▲	▲	▲	▲	▲	▲	▲	▲	▲	▲	▲	▲	▲	▲	▲	▲	▲	▲	▲	▲	▲	▲	▲	▲	▲	▲	▲	▲	▲	▲	▲	▲
TS	3073	1 5/8	13/16, 7/8	.750-1.000	3/4	■	■	■	■	■	■	■	■	■	■	■	■	■	■	■	■	■	■	■	■	■	■	■	■	■	■	■	■	■	■	■	■	■	■	■	■
TS	3075	2 1/8	7/8, 1 13/64, 1 1/4	N/A	1	▲	▲	▲	▲	▲	▲	▲	▲	▲	▲	▲	▲	▲	▲	▲	▲	▲	▲	▲	▲	▲	▲	▲	▲	▲	▲	▲	▲	▲	▲	▲	▲	▲	▲	▲	▲

\* For parts with male studs. LENGTH projecting below knob must be specified.  
 ■ Currently Manufacture/Tooled  
 ▲ Could Manufacture/Requires Tooling  
 TS Thermoset  
 TP Thermoplastic

# Husky

Just as its name implies, the Husky does the job. Available in both thermoplastic and phenolic materials. The Husky design guarantees you the best possible grip. Can be decorated.



2850/2855/2860

2870/2890

2851

Material Type	Part No.	A Dia.	B Current Part Height	Part Height Capab.	C Hub Dia.	Threaded Female Insert						Threaded Male Stud*						Threaded Female Insert Thru-Hole																								
						8-32	10-24	10-32	1/4-20	1/4-28	5/16-18	3/8-16	3/8-24	1-2/13	1/2-20	8-32	10-24	10-32	1/4-20	1/4-28	5/16-18	5/16-24	3/8-16	3/8-24	1-2/13	1/2-20	8-32	10-24	10-32	1/4-20	1/4-28	5/16-18	5/16-24	3/8-16	3/8-24	1-2/13	1/2-20					
TS	2850	1	7/8	.875-1.000	3/4	■	■	■	■	■																■	■	■	■	■	■	■	■	■	■	■	■	■	■	■	■	
TS	2855	3/4	35/64, 5/8, 11/16	.547-.750	1/2	■	■	■	■	■	■	■	■	■	■																											
TS	2860	1 3/16	13/16	N/A	13/16	▲	▲	▲	▲	▲	▲	▲	▲	▲	▲	▲	▲	▲	▲	▲	▲	▲	▲	▲	▲	▲	▲	▲	▲	▲	▲	▲	▲	▲	▲	▲	▲	▲	▲	▲	▲	▲
TS	2870	1 5/8	7/8	N/A	1 5/32	▲	▲	▲	▲	▲	▲	▲	▲	▲	▲	▲	▲	▲	▲	▲	▲	▲	▲	▲	▲	▲	▲	▲	▲	▲	▲	▲	▲	▲	▲	▲	▲	▲	▲	▲	▲	▲
TS	2890	2 1/2	1 1/2	N/A	1 1/4	▲	▲	▲	▲	▲	▲	▲	▲	▲	▲	▲	▲	▲	▲	▲	▲	▲	▲	▲	▲	▲	▲	▲	▲	▲	▲	▲	▲	▲	▲	▲	▲	▲	▲	▲	▲	▲
TP	2851	1	7/8	.875-1.000	3/4	▲	▲	▲	▲	▲	▲	▲	▲	▲	▲	▲	▲	▲	▲	▲	▲	▲	▲	▲	▲	▲	▲	▲	▲	▲	▲	▲	▲	▲	▲	▲	▲	▲	▲	▲	▲	▲

\* For parts with male studs. LENGTH projecting below knob must be specified.  
 ■ Currently Manufacture/Tooled  
 ▲ Could Manufacture/Requires Tooling  
 TS Thermoset  
 TP Thermoplastic

# Round Grip

A solid family of phenolic utility knobs for mechanical and electrical applications. Heat resistant and durable.

Engraving, hot stamping, and pad printing available for all parts.

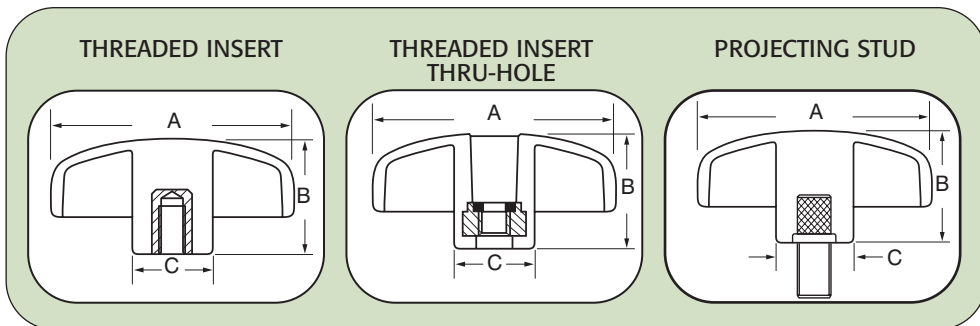


2965/3000

3008/3009  
3015/3018

5247

5676



Material Type	Part No.	A Dia.	B Current Part Height	Part Height Capab.	C Hub Dia.	Threaded Female Insert					Threaded Male Stud*					Threaded Female Insert Thru-Hole														
						8-32	10-24	10-32	1/4-20	1/4-28	5/16-18	5/16-24	3/8-16	3/8-24	1-2/13	1/2-20	8-32	10-24	10-32	1/4-20	1/4-28	5/16-18	5/16-24	3/8-16	3/8-24	1-2/13	1/2-20			
TS	2965	7/8	1/2, 33/64, 5/8, 3/4, 15/16, 61/64	.500-1.000	5/8	■	■	■	■	■							■	■	■	■	■									
TS	3000	1 3/4	3/4, 1, 1 1/4, 1 3/4	.750-1.750	3/4	▲	▲	■	■	■	■	■	■	■	■	■	■	■	■	■	■	■	■	■	■	■	■	■	■	■
TS	3008	1 1/4	3/4, 25/32, 7/8, 1	.750-1.125	5/8	▲	■	■	■	▲	▲	▲	▲		▲	▲	■	■	■	■	■	■	■	■	■	■	■	■	■	
TS	3009	1 1/2	3/4, 1	.750-1.125	11/16	▲	▲	■	■	■	■	■	■	■	■	■	■	■	■	■	■	■	■	■	■	■	■	■	■	
TS	3015	2 1/2	13/16, 1 5/16, 2, 1 5/8, 1 11/16, 1 3/4, 2	.8125-2.000	1 1/4	▲	■	■	■	■	■	■	■	■	■	■	■	■	■	■	■	■	■	■	■	■	■	■	■	
TS	3018	3	1 1/2	1.500-1.750	1 1/4	▲	▲	■	■	■	■	■	■	■	■	■	■	■	■	■	■	■	■	■	■	■	■	■	■	
TS	5247	3	1 1/4, 1 3/8, 1 15/32	1.250-1.500	1 1/4	▲	▲	■	■	■	■	■	■	■	■	■	■	■	■	■	■	■	■	■	■	■	■	■	■	
TS	5676	2	11/16, 1 1/2	.687-1.500	5/8	▲	▲	▲	▲	▲	▲	▲	▲	▲	▲	▲	▲	■	■	■	■	■	■	■	■	■	■	■	■	

\* For parts with male studs. LENGTH projecting below knob must be specified.  
 ■ Currently Manufacture/Tooled  
 ▲ Could Manufacture/Requires Tooling  
 TS Thermoset  
 TP Thermoplastic







# Knurled/Scalloped Clamping

Another solid family of phenolic utility knobs for mechanical and electrical applications. Good heat resistance and durability.

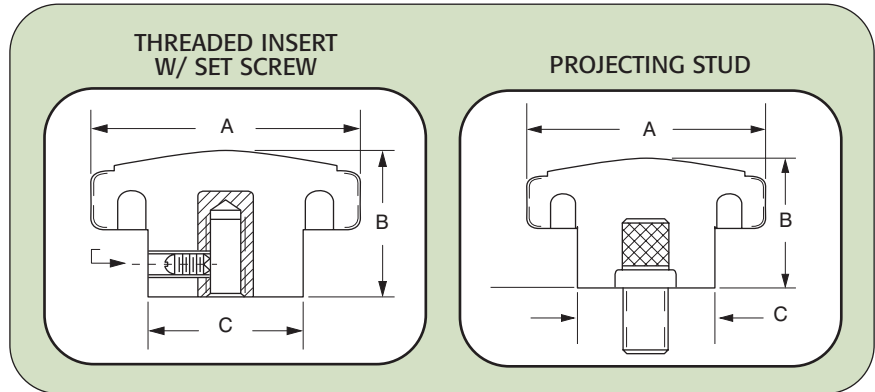
Engraving, hot stamping, and pad printing available for all parts.



3030/3080



3050/3055/3065



Material Type	Part No.	A Dia.	B Current Part Height	Part Height Capab.	C Hub Dia.	Threaded Female Insert										Threaded Male Stud*													
						8-32	10-24	10-32	1/4-20	1/4-28	5/16-18	5/16-24	3/8-16	3/8-24	1-2/13	1/2-20	8-32	10-24	10-32	1/4-20	1/4-28	5/16-18	5/16-24	3/8-16	3/8-24	1-2/13	1/2-20		
TS	3030	1 3/4	25/32, 1 1/32, 1 9/32, 1 1/4	.781-1.250	3/4	▲	■	■	■	■	■	■	■	■	■	▲	▲	▲	▲	■	■	■	■	■	■	■	■	▲	▲
TS	3050	1 3/4	15/16, 31/32, 1 1/4	.934-1.375	1	▲	■	■	■	▲	■	■	■	■	▲	▲	▲	▲	■	■	■	■	■	■	■	■	■	■	
TS	3055	1 1/4	3/4, 1 1/16	.750-1.250	3/4	▲	■	■	■	▲	■	■	■	■	▲	▲	▲	▲	■	■	■	■	■	■	■	■	▲	▲	
TS	3065	1	1/2, 9/16, 3/4, 1	.500-1.125	5/8	■	■	■	■	▲	▲	▲	▲	▲					▲	■	■	■	■	■	■	▲			
TS	3080	1 1/4	3/4, 7/8, 1 5/16	.750-1.375	5/8	▲	▲	■	■	▲	■	▲	▲	▲					▲	■	■	■	■	■	▲	■	▲		

\* For parts with male studs. LENGTH projecting below knob must be specified.

■ Currently Manufacture/Tooled  
 ▲ Could Manufacture/Requires Tooling  
 TS Thermoset  
 TP Thermoplastic

# Mini Clamping

Available with a wide flange female insert for positive contact, as in battery posts. Good electrical properties in small clamping knobs.



1770



2710



2720



2730



2700



2715

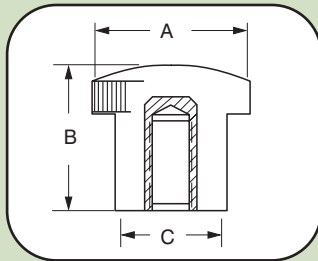


2745

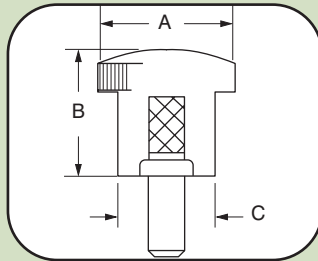


7094

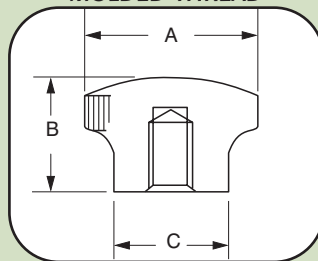
THREADED INSERT



PROJECTING STUD



MOLDED THREAD



Material Type	Part No.	A Dia.	B Current Part Height	C Part Height Capab.	Hub Dia.	Threaded Female Insert								Threaded Male Stud*								Threaded Female Insert Thru-Hole																							
						6-32	8-32	10-24	10-32	1/4-20	1/4-28	5/16-18	5/16-24	6-32	8-32	10-24	10-32	1/4-20	1/4-28	5/16-18	5/16-24	6-32	8-32	10-24	10-32	1/4-20	1/4-28	5/16-18	5/16-24																
TS	1770	31/64	1/2, 33/64, 5/8, 3/4, 7/8, 29/32	.500-906	3/8	■	■	▲	▲								■	■	▲	▲							■	■	▲	▲															
TS	2710	3/4	1/2, 33/64	N/A	1/2	▲	■	■	■	■	▲	▲					▲										▲	■	■	■	▲	▲													
TS	2720	5/8	9/16	N/A	7/16	▲	■	■	■	■	▲	▲					▲	■	■	■	■	▲	▲				▲	■	■	■	▲	▲													
TS	2730	13/16	33/64, 17/32	N/A	7/16	▲	▲	■	■	■	■	▲	▲				▲	▲	■	■	■	■	▲	▲			▲	▲	■	■	■	▲	▲												
TP	2700	9/16	1/2, 17/32, 35/64, 5/8	N/A	1/2	■	■	▲	■	▲	▲	▲	▲	▲	▲	▲	▲	■	■	■	■	▲	▲	▲	▲	▲	■	■	■	■	▲	▲	▲	▲	▲	▲	▲	▲	▲	▲	▲	▲	▲		
TP	2715	45/64	35/64	N/A	7/16												▲	■	■	■	■	■	■	■																					
TP	2745	9/16	9/16	N/A	1/2	■	■	▲	▲	▲	▲	▲	▲	▲	▲	▲	▲	▲	■	■	■	■	▲	▲	▲	▲	▲	■	■	■	■	▲	▲	▲	▲	▲	▲	▲	▲	▲	▲	▲	▲	▲	
TP	7094	41/64	1/4, 17/32	.250-.562	29/64	▲	▲	▲	■	▲	▲	▲				▲	■	■	■	■	▲	▲	▲	▲			▲	▲	■	■	■	▲	▲	▲	▲	▲	▲	▲	▲	▲	▲	▲	▲	▲	▲

\* For parts with male studs. LENGTH projecting below knob must be specified.  
 ■ Currently Manufacture/Tooled  
 ▲ Could Manufacture/Requires Tooling  
 TS Thermoset  
 TP Thermoplastic



# Dominator

Our largest knob for serious clamping needs. Domed top or thru-hole with exceptional strength. Attractive textured top.



3340



3350



3370



3341

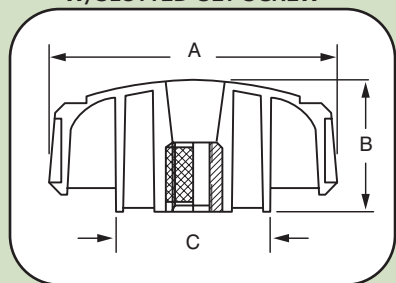


3351

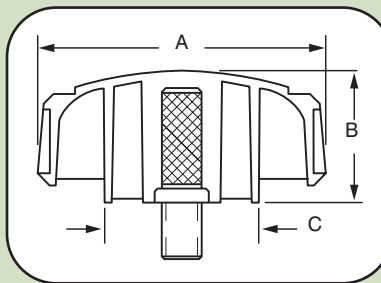


3371

THREADED INSERT  
W/SLOTTED SET SCREW



PROJECTING STUD



Material Type	Part No.	A Dia.	B Current Part Height	Part Height Capab.	C Hub Dia.	Threaded Female Insert										Threaded Male Stud*						Threaded Female Insert Thru-Hole																	
						8-32	10-24	10-32	1/4-20	1/4-28	5/16-18	5/16-24	3/8-16	3/8-24	1-2/13	1/2-20	8-32	10-24	10-32	1/4-20	1/4-28	5/16-18	5/16-24	3/8-16	3/8-24	1-2/13	1/2-20	8-32	10-24	10-32	1/4-20	1/4-28	5/16-18	5/16-24	3/8-16	3/8-24	1-2/13	1/2-20	
TP	3340	1 7/8	53/64	N/A	1	▲	▲	▲	▲	▲	▲	▲	▲	▲	▲	▲	▲	▲	▲	▲	▲																		
TP	3341	1 7/8	53/64	N/A	1	▲	▲	▲	▲	▲	▲	▲	▲	▲	▲	▲	▲	▲	▲	▲	▲	▲	▲	▲	▲	▲	▲	▲	▲	▲	▲	▲	▲	▲	▲	▲	▲		
TP	3350	2 9/16	1 1/8	N/A	1 3/8	▲	▲	▲	▲	▲	▲	▲	▲	▲	▲	▲	▲	▲	▲	▲	▲	▲	▲	▲	▲	▲	▲	▲	▲	▲	▲	▲	▲	▲	▲	▲	▲	▲	
TP	3351	2 9/16	1 1/8	N/A	1 3/8	▲	▲	▲	▲	▲	▲	▲	▲	▲	▲	▲	▲	▲	▲	▲	▲	▲	▲	▲	▲	▲	▲	▲	▲	▲	▲	▲	▲	▲	▲	▲	▲	▲	
TP	3370	3 23/32	1 21/32	N/A	2	▲	▲	▲	▲	▲	▲	▲	▲	▲	▲	▲	▲	▲	▲	▲	▲	▲	▲	▲	▲	▲	▲	▲	▲	▲	▲	▲	▲	▲	▲	▲	▲	▲	
TP	3371	3 23/32	1 21/32	N/A	2	▲	▲	▲	▲	▲	▲	▲	▲	▲	▲	▲	▲	▲	▲	▲	▲	▲	▲	▲	▲	▲	▲	▲	▲	▲	▲	▲	▲	▲	▲	▲	▲	▲	

\* For parts with male studs. LENGTH projecting below knob must be specified.

- ▲ Currently Manufacture/Tooled
- ▲ Could Manufacture/Requires Tooling
- TS Thermoset
- TP Thermoplastic



The lion of clamping knobs. Rock solid performance with a multitude of uses. Very comfortable handle. Can have an inlay added to provide identification, decoration or instructions. Glossy finish.

Engraving, hot stamping, and pad printing available for all parts.



4100/4101/4102/4103

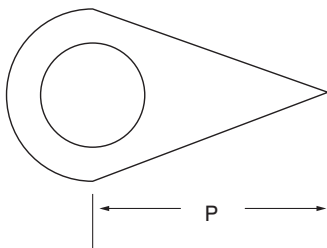


with Pointer

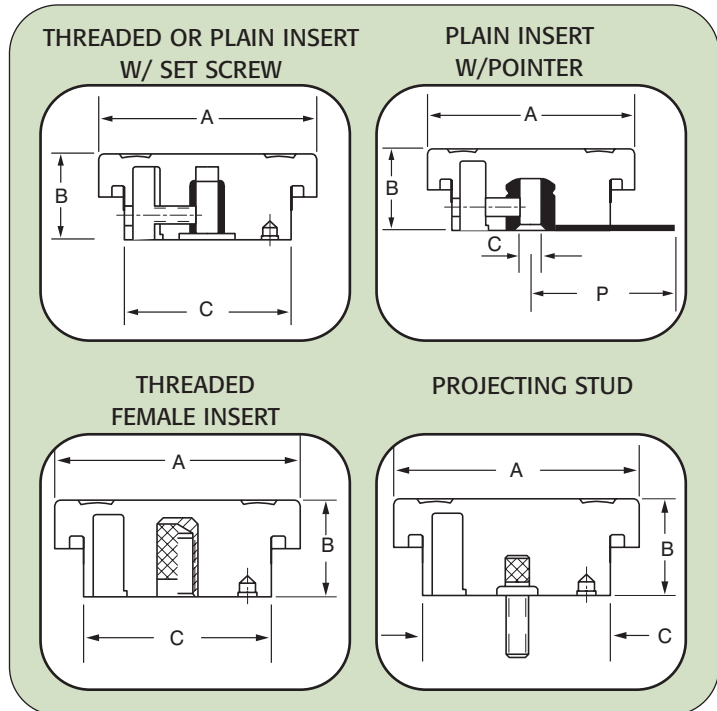


with Decorative Inlay

Specify Part Numbers and Pointer Length				
"P" Length	Pointer Adaptable to			
	4100	4101	4102	4103
5/8	■			
3/4	■	■		
7/8	■	■	■	
1-1/16	■	■	■	■
1-3/16	■	■	■	■
1-1/4	■	■	■	■
1-9/16	■	■	■	■



Pointer Information: Material: White vinylite, .040" thick.  
Assembly: Spun tight to brass insert.  
Specials: Available upon request.



Material Type	Part No.	A Dia.	B Current Part Height	Part Height Capab.	C Hub Dia.	Threaded Female Insert												Threaded Male Stud*												Female Insert		Plain Molded Hole	Square Valve Stem				
						8-32	10-24	10-32	1/4-20	1/4-28	5/16-18	5/16-24	3/8-16	3/8-24	7/16-14	7/16-20	1-2/13	1-2/20	8-32	10-24	10-32	1/4-20	1/4-28	5/16-18	5/16-24	3/8-16	3/8-24	7/16-14	7/16-20	1-2/13	1-2/20	1/4		5/163/8	1/4	5/163/8	
TS	4100	1 1/8	5/8	13/16	9/16	▲	▲	▲	▲	▲	▲	▲	▲	▲	▲	▲	▲	▲	▲	▲	▲	▲	▲	▲	▲	▲	▲	▲	▲	▲	▲	▲	▲	▲	▲	▲	▲
TS	4101	1 3/8	11/16	13/16	9/16	▲	▲	▲	▲	▲	▲	▲	▲	▲	▲	▲	▲	▲	▲	▲	▲	▲	▲	▲	▲	▲	▲	▲	▲	▲	▲	▲	▲	▲	▲	▲	▲
TS	4102	1 5/8	3/4	1 1/8	5/8	▲	▲	▲	▲	▲	▲	▲	▲	▲	▲	▲	▲	▲	▲	▲	▲	▲	▲	▲	▲	▲	▲	▲	▲	▲	▲	▲	▲	▲	▲	▲	▲
TS	4103	2 3/8	27/32	1 3/4	47/64	▲	▲	▲	▲	▲	▲	▲	▲	▲	▲	▲	▲	▲	▲	▲	▲	▲	▲	▲	▲	▲	▲	▲	▲	▲	▲	▲	▲	▲	▲	▲	▲

\* For parts with male studs. LENGTH projecting below knob must be specified.  
 ■ Currently Manufacture/Tooled  
 ▲ Could Manufacture/Requires Tooling  
 TS Thermoset  
 TP Thermoplastic

# Instrument

Distinctive knobs for special applications. Glossy or satin finish. Phenolic for durability and attractive appearance. Line or slot for indicating a setting.



1100



1105



1110



1120



1140



1145

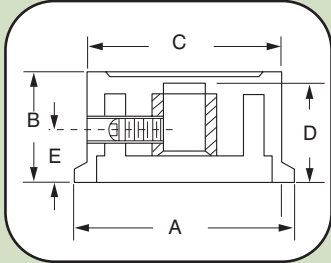


1150

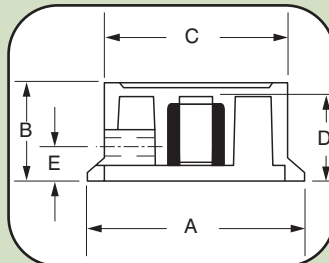


1155

PARTS 1100-1120



PARTS 1140-1155



Material Type	Part No.	A	B	C	D	E
TS	1100	25/32	15/32	21/32	13/32	1/2
TS	1105	1	37/64	29/32	1/2	27/32
TS	1110	1 9/32	21/32	1 5/32	33/64	1 1/32
TS	1120	1 3/4	13/16	1 1/2	45/64	1 15/32
TS	1140	19/32	35/64	31/64	27/64	23/64
TS	1145	13/16	5/8	41/64	1/2	1/2
TS	1150	15/16	25/32	3/4	19/32	19/32
TS	1155	1 3/8	45/64	1 9/64	19/32	29/32

Note: All parts include 1/4" brass insert with set screw.

\* For parts with male studs. LENGTH projecting below knob must be specified.

■ Currently Manufacture/Tooled

▲ Could Manufacture/Requires Tooling

TS Thermoset

TP Thermoplastic



# Instrument

Fine ABS control knobs. Sophisticated, low profile appearance, combined with high quality function. Inlay and imprinting available on all parts.



8070



8090



8125/8175



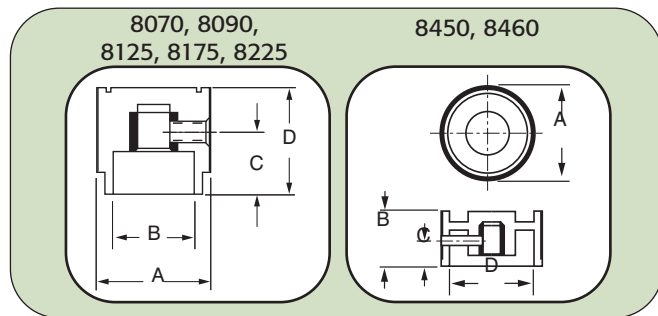
8225



8450



8460



Material Type	Part No.	A	B	C	D	Plain Molded Hole			Female Insert			Spring Mounting 1/4 Flatted to 5/32
						1/8	3/16	1/4	1/8	3/16	1/4	
TP	8070	23/32	1/2	13/32	5/8	▲	▲	▲	▲	▲	■	▲
TP	8090	29/32	27/32	11/16	21/32	▲	▲	■	▲	▲	■	■
TP	8125	1 1/4	11/16	17/32	1 3/64	▲	▲	■	▲	▲	■	■
TP	8175	1 3/4	7/8	21/32	1 15/32	▲	▲	▲	▲	▲	■	■
TP	8225	2 1/4	7/8	21/32	1 61/64	▲	▲	▲	▲	▲	■	■
TP	8450	1 1/2	27/32	5/8	1 5/16	▲	▲	▲	▲	▲	■	▲
TP	8460	2 1/8	27/32	11/16	1 55/64	▲	▲	▲	▲	▲	■	▲

Note: All parts can be supplied with or without set screw.  
 \* For parts with male studs. LENGTH projecting below knob must be specified.  
 ■ Currently Manufacture/Tooled  
 ▲ Could Manufacture/Requires Tooling  
 TS Thermoset  
 TP Thermoplastic

# Instrument

Terrific range of sizes and styles to suit your needs. Available in both thermoplastic and phenolic materials. Can be customized to your needs with decorative inlays, indicator lines, or slots.

Engraving, hot stamping, and pad printing available.



1200



1202



1204



1206



1208



1450



1475



1700



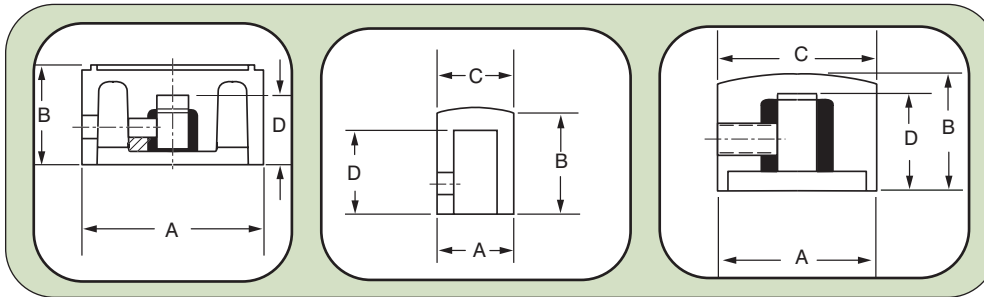
1900



1914



1922



Material Type	Part No.	A	B	C	D	E	Plain Molded Hole			Female Insert			Spring Mounting
							1/8	3/16	1/4	1/8	3/16	1/4	1/4 Flatted to 5/32
TS	1200	17/32	5/8	-	7/16	-	■	■	■	▲	▲	▲	■
TS	1202	25/32	5/8	21/32	17/32	-	■	■	■	■	■	■	■
TS	1204	1 1/32	11/16	11/16	17/32	-	■	■	■	■	■	■	■
TS	1206	1 13/32	3/4	5/8	17/32	-	▲	▲	■	▲	▲	■	▲
TS	1208	1 25/32	13/16	5/8	17/32	-	▲	▲	■	▲	▲	■	■
TS	1450	11/16	13/32	11/32	-	-	■	■	■	■	▲	■	■
TS	1475	1	1/2	7/16	11/16	-	▲	▲	■	■	■	■	■
TS	1700	3/4	19/32	15/32	-	-	▲	▲	■	▲	▲	■	■
TS	1900	1/2	5/8	15/32	1/2	-	■	■	■	▲	▲	▲	▲
TS	1914	3/4	31/64	3/4	13/32	5/8	■	■	■	■	■	■	▲
TS	1922	1 1/16	23/32	31/32	THRU	11/16	▲	▲	■	▲	▲	■	▲

\* For parts with male studs. LENGTH projecting below knob must be specified.  
 ■ Currently Manufacture/Tooled  
 ▲ Could Manufacture/Requires Tooling  
 TS Thermoset  
 TP Thermoplastic

# Pointer

There is no larger selection of pointer knobs available anywhere. We carry the widest range of sizes, shapes, and inserts. Can be imprinted. Samples available.



0110/0112/0115



1210



1214



1216



1400



1470



1500/1520



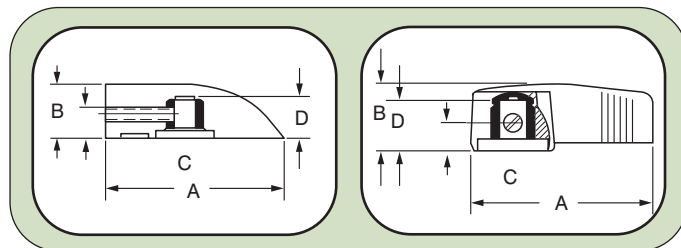
1510



1550



1919



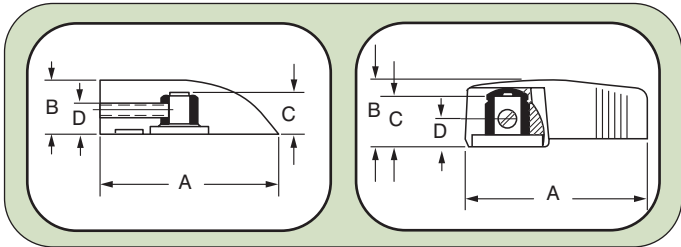
Material Type	Part No.	A	B	C	D	Plain Molded Hole			Female Insert			Spring Mounting
						1/8	3/16	1/4	1/8	3/16	1/4	1/4 Flatted to 5/32
TS	0110	2 3/16	25/32	-	-	▲	▲	▲	▲	▲	■	▲
TS	0112	1 3/4	5/8	-	1	▲	▲	▲	▲	▲	■	▲
TS	0115	1 1/4	9/16	-	5/8	▲	▲	▲	▲	▲	■	▲
TS	1210	1 1/32	5/8	21/32	17/32	■	■	■	■	■	■	■
TS	1214	1 21/32	5/8	21/32	17/32	■	■	■	■	■	■	■
TS	1216	1 9/32	5/8	21/32	17/32	■	■	■	■	■	■	■
TS	1400	27/32	13/32	11/32	-	■	■	■	▲	■	■	■
TS	1470	1 1/8	1/2	7/16	11/16	▲	■	■	■	■	■	■
TS	1500	1 1/8	9/16	1/2	11/16	■	■	■	▲			▲
TS	1510	3/4	9/16	13/32	9/16	■	■	■	▲			▲
TS	1520	1 1/2	3/4	5/8	13/16	▲	▲	■	▲	▲	■	■
TS	1550	1 1/8	5/8	7/16	11/16	■	▲	■	▲	▲	■	■
TS	1919	1 1/4	5/8	-	1/2	▲	▲	■	▲	▲	■	▲

\* For parts with male studs. LENGTH projecting below knob must be specified.  
 ■ Currently Manufacture/Tooled  
 ▲ Could Manufacture/Requires Tooling  
 TS Thermoset  
 TP Thermoplastic

# Pointer

Davies offers the widest range of pointer knobs available from crisp lines to soft contours. Choose a finish, shape, or design that complements your product.

Engraving, hot stamping and pad printing available for all parts.



Material Type	Part No.	A	B	C	D	Plain Molded Hole			Female Insert			Spring Mounting
						1/8	3/16	1/4	1/8	3/16	1/4	1/4 Flatted to 5/32
TS	2100	2 1/2	5/8	7/16	5/8	▲	▲	▲	▲	▲	■	▲
TS	2110	1 5/8	39/64	7/16	5/8	▲	▲	■	▲	▲	■	▲
TS	2150	1 1/4	9/16	1/2	5/8	▲	▲	■	▲	▲		▲
TS	2300	1 7/32	5/8	1/2	21/32	▲	▲	■	▲	▲	■	▲
TS	2310	1 3/16	1/2	7/16	-	■	▲	■	▲	▲		▲
TS	2350	2	5/8	15/32	21/32	▲	▲	■	▲	▲	■	■
TP	1555	1 19/64	1/2	15/64	35/64	▲	▲	▲	▲			■
TP	1560	1 3/4	21/64	35/64	5/8	▲	▲	▲	▲	▲		■
TP	8000	3/4	21/32	15/32	3/8	▲	▲	▲	■	▲		▲
TP	8005	1 3/64	25/32	21/32	9/16	▲	▲	▲	▲	▲	■	▲
TP	8010	1 3/8	1	7/8	11/16	▲	▲	▲	▲	▲	■	▲

\* For parts with male studs. LENGTH projecting below knob must be specified.

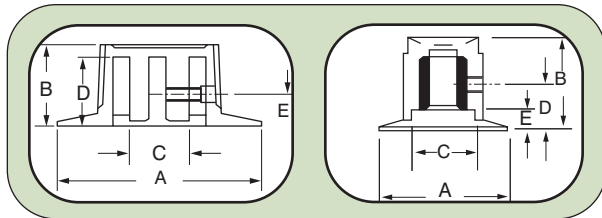
■ Currently Manufacture/Tooled  
 ▲ Could Manufacture/Requires Tooling  
 TS Thermoset  
 TP Thermoplastic

# Skirted



Sizes, shapes, decorative inlays, and graphics to enhance your products. Phenolic/nylon to provide appearance, strength, and heat resistance for a variety of applications.

Engraving, hot stamping, and pad printing available for all parts.



Material Type	Part No.	A	B	C	D	E	Plain Molded Hole			Female Insert			Spring Mounting
							1/8	3/16	1/4	1/8	3/16	1/4	1/4 Flatted to 5/32
TPO	1505	1 3/8	27/32	1/2	-	-	▲	▲	▲	▲	▲	▲	▲
TPO	1506	1 5/8	61/64	1/2	-	-	▲	▲	▲	▲	▲	■	■
TPO	1507	1 57/64	1	1/2	-	-	▲	▲	▲	▲	▲	▲	■
TS	1212	1 1/8	11/16	21/32	17/32	1/2	▲	▲	■	▲	▲	■	■
TS	1322	1 7/16	9/16	11/16	-	-	▲	▲	■	▲	▲	▲	▲
TS	1326	1 59/64	1/2	7/8	-	-	▲	▲	■	▲	▲	▲	▲
TS	1330	2 1/2	43/64	1 21/64	-	-	▲	▲	■	▲	▲	▲	▲
TS	1600	1 1/2	11/16	5/8	-	-	▲	▲	■	▲	▲	■	■
TS	1610	29/32	19/32	19/32	-	-	■	▲	■	▲	▲	■	■
TS	1650	2 1/4	7/8	1	-	-	▲	▲	■	▲	▲	▲	▲
TS	1910	3/4	1/2	17/32	13/32	9/16	■	■	■	■	■	■	■
TS	1913	1 1/8	5/8	13/16	1/2	11/16	▲	▲	■	■	▲	■	■
TS	1920	1 1/4	3/4	31/32	19/32	11/16	▲	▲	■	■	▲	■	■
TS	1925	1 1/4	23/32	31/32	THRU	11/16	▲	▲	■	▲	▲	■	■
TS	1930	1 1/2	7/8	1 1/64	3/4	13/16	▲	▲	■	▲	▲	■	▲
TS	1940	2 1/32	15/16	1 3/8	13/16	13/16	▲	▲	■	▲	▲	■	■
TP	1620	1 1/4	5/8	15/32	-	-							■
TP	1630	1 9/16	49/64	15/32	-	-							■
TP	1640	1 3/4	7/8	15/32	-	-							■
TP	1660	1 5/8	27/32, 57/64, 61/64, 1 11/32, 2 5/32	1/2	-	-	▲	▲	▲	▲	▲	▲	▲
TP	1665	1 15/16	1 29/64, 1 3/4	5/8	-	-	▲	▲	▲	▲	▲	▲	▲
TP	1680	2	1 13/16	1/2	-	-	▲	▲	▲	▲	▲	▲	▲
TP	8072	1 1/8	13/16	11/16	9/16	-	▲	▲	▲	▲	▲	■	■

\* For parts with male studs. LENGTH projecting below knob must be specified.  
 ■ Currently Manufacture/Tooled  
 ▲ Could Manufacture/Requires Tooling  
 TS Thermoset  
 TP Thermoplastic  
 TPO Thermoplastic overmold

# Large Fluted with Skirts

Versatile knobs with mechanically attached skirts that will remain firmly in place. Skirts can be lined in white, as a location finder, or numbered to your specifications.

Engraving, hot stamping, and pad printing available for all parts.



4104



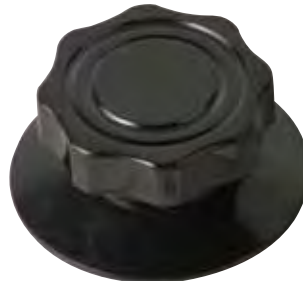
4105



4106



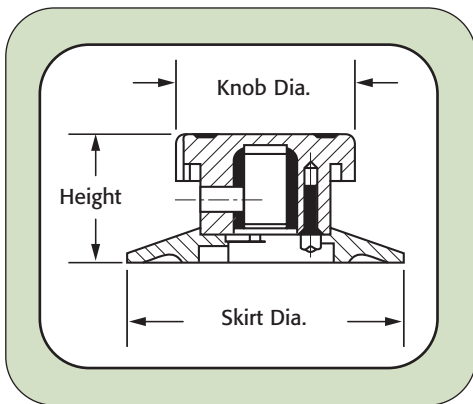
4107



4108



4109



Material Type	Part No.	Knob	Skirt	Knob Diameter	Skirt Diameter	Combined Height	Female Insert				Plain Molded Hole			
							3/16	1/4	5/16	3/8	3/16	1/4	5/16	3/8
TS	4104	4100	4110	1 1/8	1 1/2	13/16	▲	■	▲	▲	▲	■	▲	▲
TS	4105	4100	4111	1 1/8	1 3/4	13/16	▲	■	▲	▲	▲	■	▲	▲
TS	4106	4101	4110	1 3/8	1 1/2	7/8	▲	■	▲	▲	▲	▲	▲	▲
TS	4107	4101	4111	1 3/8	1 3/4	7/8	▲	■	▲	▲	▲	▲	▲	▲
TS	4108	4102	4112	1 5/8	2 1/16	29/32	▲	■	▲	■	▲	■	▲	▲
TS	4109	4103	4113	2 3/8	3	1 1/32	▲	■	▲	■	▲	■	▲	▲

■ Currently Manufacture/Tooled  
 ▲ Could Manufacture/Requires Tooling  
 TS Thermoset  
 TP Thermoplastic





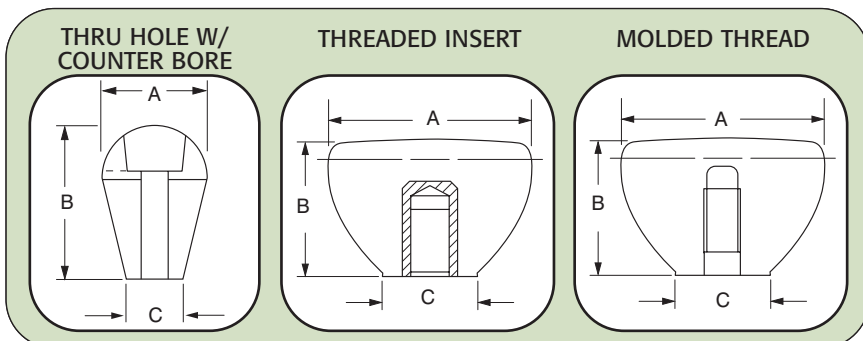




# Lever

The widest possible range of styling for the design engineer. Combines function, ergonomics, and appearance. Uses include gear shift, crank handle, hospital beds, orthopedic applications, hydraulic levers, and power tools.

Engraving, hot stamping, and pad printing available for all parts.



Material Type	Part No.	A Dia.	B Current Part Height	Part Height Capab.	C Hub Dia.	Threaded Female Insert						Threaded Male Stud*						Threaded Female Insert Thru-Hole									
						8-32	10-24	10-32	1/4-20	1/4-28	5/16-18	5/16-24	3/8-16	3/8-24	1-2/13	1/2-20	8-32	10-24	10-32	1/4-20	1/4-28	5/16-18	5/16-24	3/8-16	3/8-24	1-2/13	1/2-20
TS	0020	1 1/2	1	N/A	15/16	▲	▲	▲	▲	▲	▲	▲	▲	▲	▲	▲	▲	▲	▲	▲	▲	▲	▲	▲	▲		
TS	0036	1 1/2	1 5/16	N/A	5/8	▲	▲	▲	▲	▲	▲	▲	▲	▲	▲	▲	▲	▲	▲	▲	▲	▲	▲	▲	▲		
TS	0040	1 3/8	1 1/2	N/A	13/16	▲	▲	▲	▲	▲	▲	▲	▲	▲	▲	▲	▲	▲	▲	▲	▲	▲	▲	▲	▲		
TS	0042	1 3/8	1 1/2	N/A	13/16	▲	▲	▲	▲	▲	▲	▲	▲	▲	▲	▲	▲	▲	▲	▲	▲	▲	▲	▲	▲		
TS	0046	1 3/4	1 23/32	N/A	23/32	▲	▲	▲	▲	▲	▲	▲	▲	▲	▲	▲	▲	▲	▲	▲	▲	▲	▲	▲	▲		
TS	0050	1 5/8	1 5/16	N/A	21/32	▲	▲	▲	▲	▲	▲	▲	▲	▲	▲	▲	▲	▲	▲	▲	▲	▲	▲	▲	▲		
TS	0057	1 31/32	1 15/32	N/A	27/32	▲	▲	▲	▲	▲	▲	▲	▲	▲	▲	▲	▲	▲	▲	▲	▲	▲	▲	▲	▲		
TS	0061	1 1/4	63/64	1.563-2.000	17/32	▲	▲	▲	▲	▲	▲	▲	▲	▲	▲	▲	▲	▲	▲	▲	▲	▲	▲	▲	▲		
TS	0065	2	1 9/16	1.125-1.500	23/32	▲	▲	▲	▲	▲	▲	▲	▲	▲	▲	▲	▲	▲	▲	▲	▲	▲	▲	▲	▲		
TS	0066	2	1 1/8	N/A	23/32	▲	▲	▲	▲	▲	▲	▲	▲	▲	▲	▲	▲	▲	▲	▲	▲	▲	▲	▲	▲		
TS	0070	1 1/4	1 45/64	N/A	9/16	▲	▲	▲	▲	▲	▲	▲	▲	▲	▲	▲	▲	▲	▲	▲	▲	▲	▲	▲	▲		
TS	0071	1 3/16	1 51/64, 1 63/64	N/A	5/8	▲	▲	▲	▲	▲	▲	▲	▲	▲	▲	▲	▲	▲	▲	▲	▲	▲	▲	▲	▲		

\* For parts with male studs. LENGTH projecting below knob must be specified.  
 ▲ Currently Manufacture/Tooled  
 ▲ Could Manufacture/Requires Tooling  
 TS Thermoset  
 TP Thermoplastic





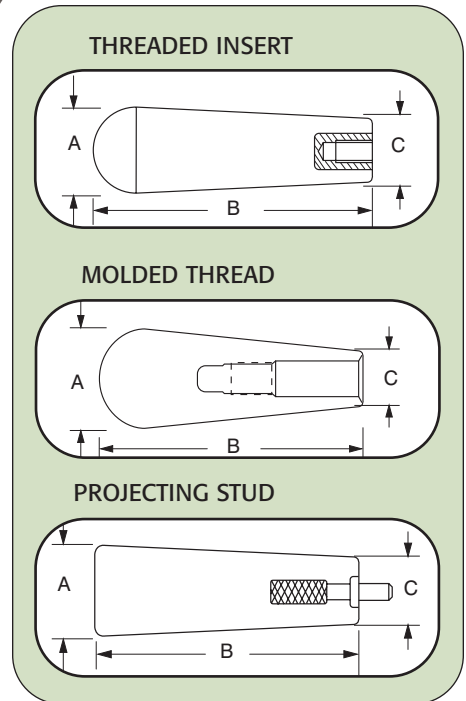






# Fluted Tapered

Positive grip for added comfort and control. All the benefits of our broad line of smaller tapered handles. Used in machine tools, garden tools, barbecue grills, wood stoves, etc. All handles are made/equipped with a ribbed surface texture for better grip.



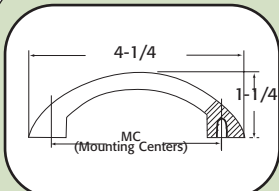
Material Type	Part No.	A Dia.	B Current Part Height	C Hub Dia.	Threaded Female Insert					Threaded Male Stud*					Threaded Female Insert Thru-Hole									
					8-32	10-24	10-32	1/4-20	5/16-18	5/16-24	3/8-16	3/8-24	7/16-14	7/16-20	1-2/13	1-2/20	8-32	10-24	10-32	1/4-20	5/16-18	5/16-24	3/8-16	3/8-24
TS	0698	1 3/8	4 3/8	1	▲	▲	▲	▲	▲	▲	▲	▲	▲	▲	▲	▲	▲	▲	▲	▲	▲	▲	▲	▲
TS	0700	1 1/8	3	5/8	▲	▲	▲	▲	▲	▲	▲	▲	▲	▲	▲	▲	▲	▲	▲	▲	▲	▲	▲	▲
TS	0710	1 1/8	3 7/8	25/32	▲	▲	▲	▲	▲	▲	▲	▲	▲	▲	▲	▲	▲	▲	▲	▲	▲	▲	▲	▲
TS	0730	1 3/8	4 61/64	1	▲	▲	▲	▲	▲	▲	▲	▲	▲	▲	▲	▲	▲	▲	▲	▲	▲	▲	▲	▲
TP	0720†	57/64	2 41/64	21/32	▲	▲	▲	▲	▲	▲	▲	▲	▲	▲	▲	▲	▲	▲	▲	▲	▲	▲	▲	▲

\* For parts with male studs. LENGTH projecting below knob must be specified.

- ▲ Currently Manufacture/Tooled
- ▲ Could Manufacture/Requires Tooling
- TS Thermoset
- TP Thermoplastic
- † Not Suitable for Heat

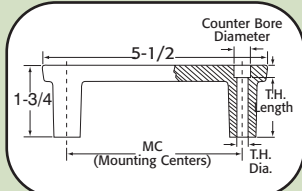
# Two Point

Certain models available in heat-resistant phenolic and others in thermoplastic, for a wide range of colors and applications. May be anchored from top or bottom. If you don't see what you need, call us for additional models and styles.



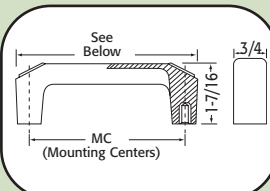
**4500**

- 4-1/4" Long x 1-1/4" High
- Mounting Centers 2-3/4" for 8-32 or 10-24 Threaded Plastic Holes
- Mounting Centers 2-7/8" for 8-32 or 10-24 Threaded Plastic Holes
- Mounting Centers .143" dia. Plain Plastic Holes



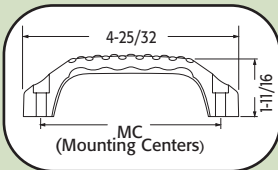
**4560**

- 5-1/2" Wide x 1-3/4" High
- Mounting Centers 4-1/4" with 1/4" dia. Thru Holes



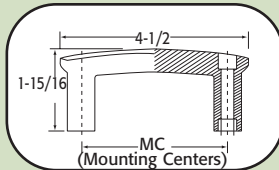
**4555**

- 4-3/8 Long x 1-7/16" High x 3/4" Wide
- Finger Clearance 15/16"
- Mountings 10-32, 10-24, 1/4-20
- Female Brass Inserts .144 dia.
- Plain Hole for #8 Self Tapping Screw
- Centers 3-3/4"



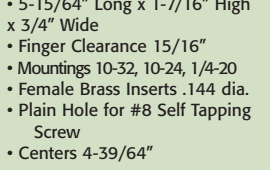
**4570**

- Soft Grip Handle
- 4-25/32" Long x 1-11/16" High
- Finger Clearance 1-1/32"
- Mounting Centers 4-23/32"
- Two Thru Holes with Counter Sink for a 1/4-20 or M6 Socket Head Cap Screw
- Standard Colors: Black/Grey, Black/Orange, Black/Yellow, Black/Red



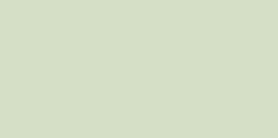
**4551-A**

- 4-1/4" Wide x 1-15/16" High
- Mounting Centers 3-3/8" with 1/4" dia. Thru-Holes or two 10-24 x 5/16" Projecting Male Studs



**4580**

- 5-15/64" Long x 1-7/16" High x 3/4" Wide
- Finger Clearance 15/16"
- Mountings 10-32, 10-24, 1/4-20
- Female Brass Inserts .144 dia.
- Plain Hole for #8 Self Tapping Screw
- Centers 4-39/64"



**4590**

- 7-11/64" Long x 1-7/16" High x 3/4" Wide
- Finger Clearance 15/16"
- Mountings 10-32, 10-24, 1/4-20
- Female Brass Inserts .144 dia.
- Plain Hole for #8 Self Tapping Screw
- Centers 7-3/64"



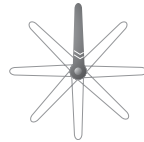
Material Type	Part No.	A	B	C	D	Female Insert					Tapped Thread					Plain Molded Hole		
						8-32	10-24	10-32	1/4-20	1/4-28	8-32	10-24	10-32	1/4-20	1/4-28	9/64	1/4	9/32
TS	4500	4 1/4	1 1/16	5/8	2 7/8						■	■	▲	▲	▲	■	▲	
TS	4560	5 1/2	1 3/4	1	4 1/4	▲	▲	▲	■	▲	▲	▲	■	▲	▲	▲	▲	■
TS	5451	4 1/2	1 15/16	1	3 3/8	▲	▲	▲	▲	▲	▲	▲	▲	▲	▲	▲	■	▲
TP	4555	4 1/2	1 7/16	3/4	3 23/32	▲	■	■	■	▲	▲	▲	▲	▲	▲	■	▲	▲
TP	4570	5 3/4	1 21/32	1 1/8	4 23/32	▲	▲	▲	▲	▲	▲	▲	▲	▲	▲	▲	■	
TP	4580	5 15/64	1 7/16	3/4	4 19/32	▲	■	■	■	▲	▲	▲	▲	▲	▲	■	▲	▲
TP	4590	7 27/32	1 7/16	3/4	7	▲	■	■	■	▲	▲	▲	▲	▲	▲			

■ Currently Manufacture/Tooled  
 ▲ Could Manufacture/Requires Tooling  
 TS Thermoset  
 TP Thermoplastic

# Ratchet



Glass-Filled Nylon  
2430/2440/2450/2470/2480



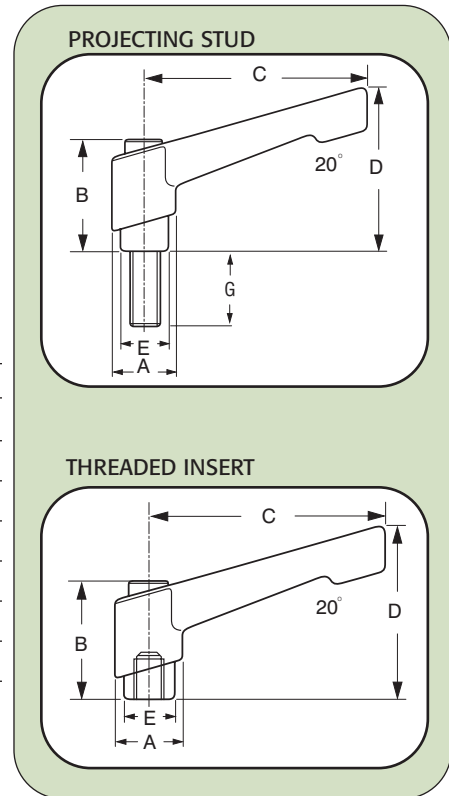
Lift and rotate  
handle 360°



Die-Cast  
2432/2442/2452/2472/2482

### "G" Standard Projecting Stud Lengths

Thread Size	Stud Lengths
10-24	0.63
10-32	0.63, 1.25
1/4-20	0.78, 0.98, 1.25, 1.57
5/16-18	0.78, 1.57, 1.97, 2.48
3/8-16	0.78, 1.25, 1.57, 1.97
1/2-13	1.25, 1.57, 1.97, 2.48
5/8-11	1.57, 2.48

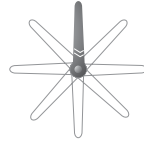


Material Type	Part No.	A	B	C	D	E	Threaded Female Insert							Threaded Male Stud*																							
							8-32	10-24	10-32	1/4-20	1/4-28	5/16-18	5/16-24	3/8-16	3/8-24	1-2/13	1/2-20	5/8-11	8-32	10-24	10-32	1/4-20	1/4-28	5/16-18	5/16-24	3/8-16	3/8-24	1-2/13	1/2-20	5/8-11							
TP	2430	35/64	61/64	1 21/32	1 19/64	25/64	■	■	■										■	■	■																
TP	2440	23/32	1 7/32	2 9/16	1 25/32	17/32			■																												
TP	2450	55/64	1 13/32	3 5/64	2 1/8	5/8																															
TP	2470	63/64	1 11/16	3 5/8	2 33/64	3/4																															
TP	2480	1 3/16	1 63/64	4 1/4	2 61/64	29/32																															■
DC	2432	35/64	61/64	1 21/32	1 19/64	25/64	■	■	■																		■	■	■								
DC	2442	23/32	1 7/32	2 9/16	1 25/32	17/32			■																												
DC	2452	55/64	1 13/32	3 5/64	2 1/8	5/8																															
DC	2472	63/64	1 11/16	3 5/8	2 33/64	3/4																															
DC	2482	1 3/16	1 63/64	4 1/4	2 61/64	29/32																															■

\* For parts with male studs, LENGTH projecting below knob must be specified.  
 ■ Currently Manufacture/Tooled  
 ▲ Could Manufacture/Requires Tooling  
 TS Thermoset  
 TP Thermoplastic  
 DC Die-cast

# Adjustable

Glass-filled nylon handle with nylon torque mechanism. Insert is made of steel, zinc plated. Ideal for low torque applications.



Lift and rotate handle 360°

### "G" Standard Projecting Stud Lengths

Thread Size	Stud Lengths
10-32	0.39, 0.79
1/4-20	0.59, 0.79, 1.18
5/16-18	0.59, 0.79, 1.18, 1.57
3/8-16	0.79, 1.18, 1.57, 1.97
1/2-13	1.18, 1.97



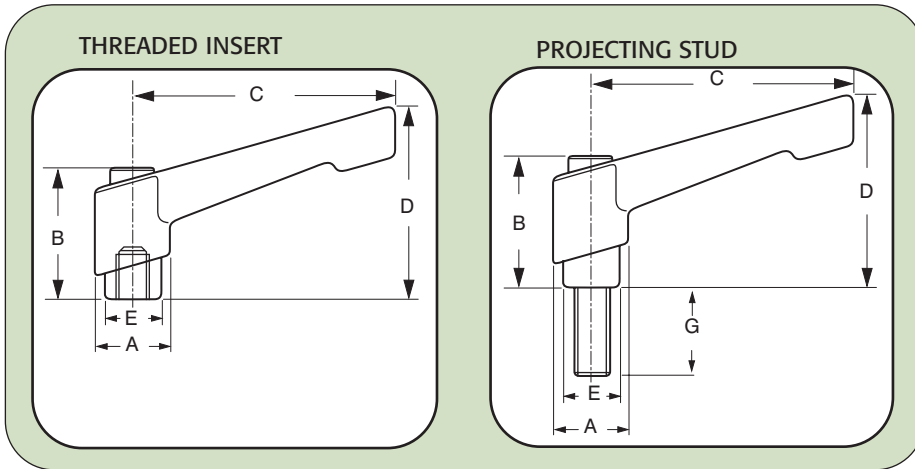
2435



2445



2465



Material Type	Part No.	A	B	C	D	E	Threaded Female Insert							Threaded Male Stud*																		
							8-32	10-24	10-32	1/4-20	1/4-28	5/16-18	5/16-24	3/8-16	3/8-24	1/2-13	8-32	10-24	10-32	1/4-20	1/4-28	5/16-18	5/16-24	3/8-16	3/8-24	1/2-13						
TP	2435	5/8	1 3/64	1 21/32	1 3/8	15/32		■	■	■									■	■												
TP	2445	51/64	1 27/64	2 9/16	1 31/32	19/32				■											■											
TP	2465	63/64	1 13/16	3 5/32	2 31/64	51/64							■	■				■													■	

\* For parts with male studs. LENGTH projecting below knob must be specified.  
 ■ Currently Manufacture/Tooled  
 ▲ Could Manufacture/Requires Tooling  
 TS Thermoset  
 TP Thermoplastic

# Fixed Position

For multi-position clamping jobs. Great for limited space applications. Good leverage for tightening. Used on multiple types of equipment, doors, tools, etc. for a savings.



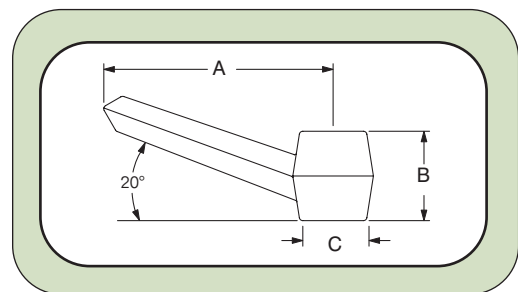
2405



2415



2425



Material Type	Part No.	A	B	C	Threaded Female Insert						Threaded Male Stud*													
					8-32	10-24	10-32	1/4-20	1/4-28	5/16-18	5/16-24	3/8-16	3/8-24	1-2/13	8-32	10-24	10-32	1/4-20	1/4-28	5/16-18	5/16-24	3/8-16		
TP	2405	2 1/16	51/64	19/32			■	■		■								■		■				
TP	2415	2 5/8	1	13/16				■		■		■						■		■				■
TP	2425	3 5/32	1 9/32	15/16				■		■		■		■				■		■				■

\* For parts with male studs. LENGTH projecting below knob must be specified.

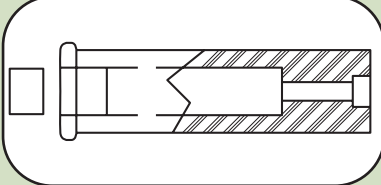
- Currently Manufacture/Tooled
- ▲ Could Manufacture/Requires Tooling
- TS Thermoset
- TP Thermoplastic



# Appliance

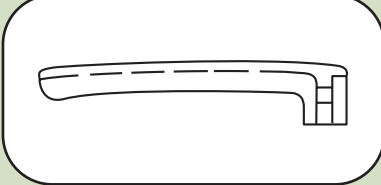
Available in heat resistant phenolic for high heat applications. This standard line of handles has been successfully used for pots, pans and many other applications. These handles represent a low cost option to get your product to the market quickly.

**635**



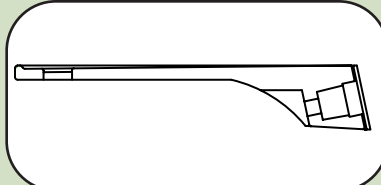
**4 53/64" LONG HANDLE**  
Rectangular Shaped 1/4" dia. Thru Hole with Counter Bore

**660**



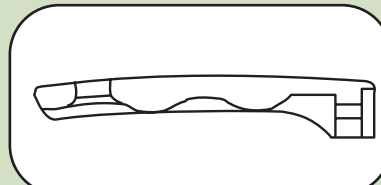
**4 1/2" LONG X 15/16" WIDE**  
Mounting Hole: 13/64" or 9/32"

**670**



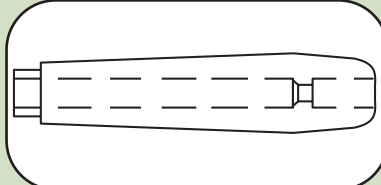
**6 7/32" LONG X 1-3/16" WIDE**  
12° Tapered Face Mounting Recess for Weld Studs

**680**



**4 1/2" LONG X 15/16" WIDE**  
Mounting Hole: 13/64" or 9/32"

**5682**



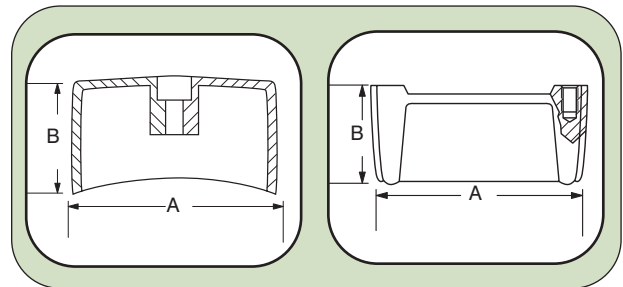
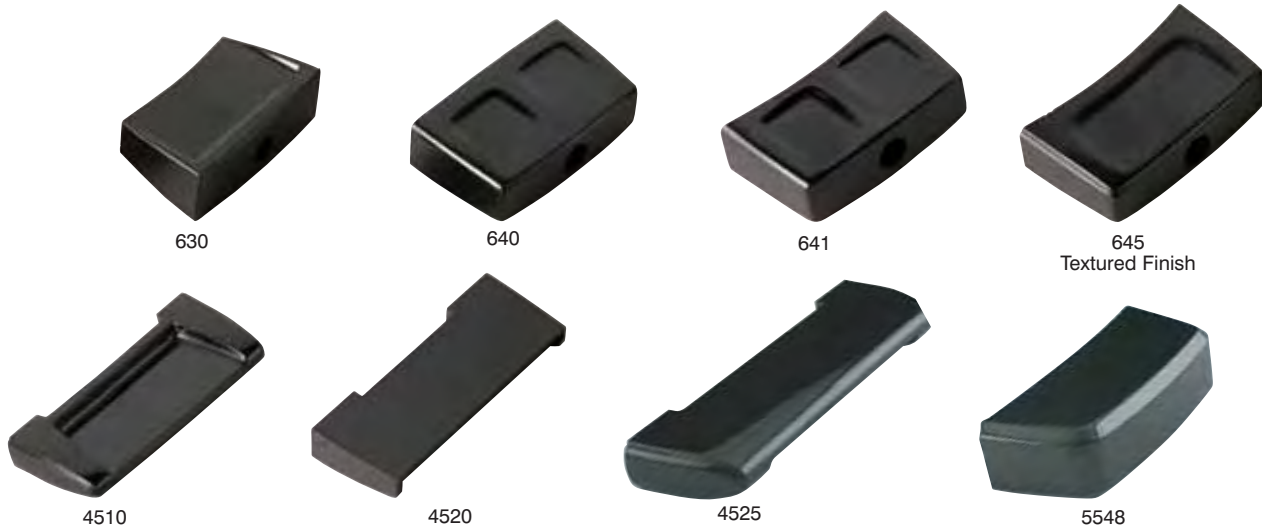
**5 1/2" LONG**  
Mounting Hole: 1/4" dia. Thru Hole with Counter Bore



Material Type	Part No.	A	B	C	Plain Molded Hole				
					9/64	5/32	13/64	1/4	9/32
TS	0635	4 53/64	1	1 1/4	▲	▲	▲	■	▲
TS	0660	4 1/2	31/32	57/64	▲	▲	■	■	■
TS	0670	6 7/32	1 1/16	1 3/16	▲	▲	▲	■	▲
TS	0680	5 9/16	7/8	1	▲	▲	■	▲	■
TS	5682	5 1/2	1 5/32	-	▲	▲	▲	▲	■

■ Currently Manufacture/Tooled  
▲ Could Manufacture/Requires Tooling  
TS Thermoset  
TP Thermoplastic

These handles all can be made in a heat-resistant phenolic to meet high heat requirements. As with our appliance handles, these side handles are a fast, economical way to satisfy your product requirements.



- 630**
- 2-3/8" Long x 1-3/8" High
  - Mounting Radius 4-5/8"
  - Thru-Hole for #10 Machine Screw

- 640**
- 2-3/8" Long x 1-3/8" Wide
  - Mounting 3/16" dia. Thru Hole with 3/8" x 1/4" Counter Bore
  - STRAIGHT MOUNTING EDGE CAN BE ALTERED TO PROVIDE 3-5/16", 3-3/4", 4-1/16", 4-5/32", 4-1/2", 4-3/4" AND 5-1/2" RADII WITHOUT TOOLING COST

- 641**
- 2-3/8" Long x 1-3/8" Wide
  - Mounting 3/16" dia. Thru Hole with 3/8" x 1/4" Counter Bore
  - Mounting Radius 4-5/8"

- 645**
- 2-3/8" Long x 1-3/8" Wide
  - Mounting Radius 4-5/8"
  - Thru-Hole for #10 Machine Screw

- 4510**
- 2-3/4" Long x 1-1/4" Wide
  - Two 8-32 Threaded Plastic Holes or Two .144" dia. Plain Holes on 2-1/4" Centers
  - STRAIGHT MOUNTING EDGE ONLY
  - MOUNTS FROM FRONT

- 4520**
- 3-1/8" Long x 1-1/4" Wide
  - Two .156" dia. Thru Mounting Holes on 2-3/8" Centers
  - MOUNTS FROM BACK

- 4525**
- 4" Long x 1-1/4" Wide
  - Two 10-24 or 10-32 Threaded Plastic Holes or Two .162" dia. Plain Holes on 3" Centers
  - STRAIGHT MOUNTING EDGE ONLY
  - MOUNTS FROM FRONT

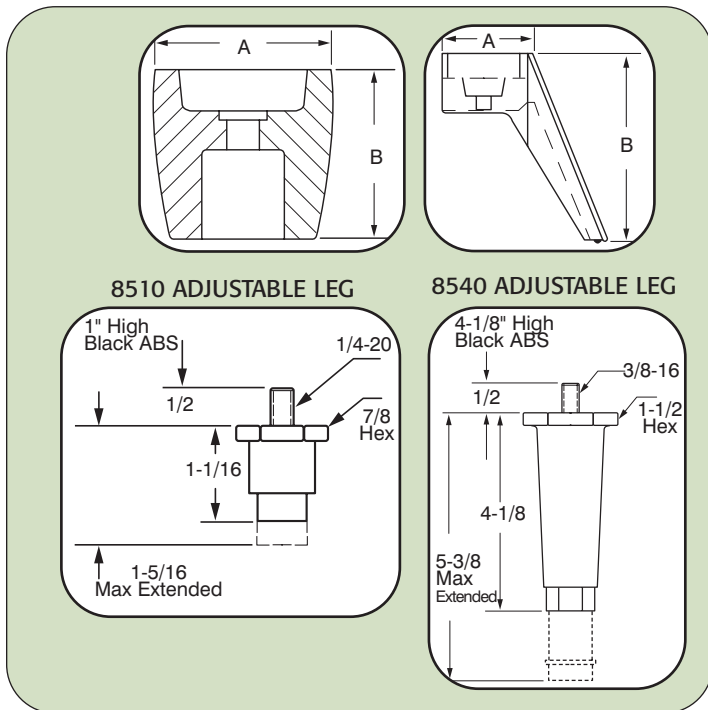
- 5548**
- 2" Long x 13/16" Wide
  - Mounting: One 8-32 Threaded Plastic Hole or .178" dia. Plain Thru-Hole
  - Standard 10" Mounting Radius can be altered

Material Type	Part No.	A	B	C	D	Tapped Thread					Plain Molded Hole					
						8-32	10-24	10-32	1/4-20	1/4-28	9/64	5/32	13/64	1/4	9/32	
TS	0630	2 3/8	1 3/8	13/16	-	▲	▲	▲	▲	▲	▲	▲	▲	▲	▲	▲
TS	0640	2 1/4	1 3/8	13/16	-	▲	▲	▲	▲	▲	▲	▲	▲	▲	▲	▲
TS	0641	2 3/8	1 3/8	13/16	-	▲	▲	▲	▲	▲	▲	▲	■	▲	▲	▲
TS	0645	2 3/8	1 7/32	47/64	-	▲	▲	▲	▲	▲	▲	▲	■	▲	▲	▲
TS	4510	2 3/4	1 1/4	7/16	2 1/4	▲	▲	▲	▲	▲	■	▲	▲			
TS	4520	3 1/8	1 1/4	1/2	2 3/8						▲	■				
TS	4525	3 31/32	1 1/4	9/16	3	▲	■	■	▲	▲	▲	■	▲	▲	▲	
TS	5548	2	55/64	19/32	-	■	▲	▲	▲	▲	▲	▲	▲	▲	▲	▲

■ Currently Manufacture/Tooled  
 ▲ Could Manufacture/Requires Tooling  
 TS Thermoset  
 TP Thermoplastic

# Appliance Feet & Levelers

Our standard line of appliance feet are used in hundreds of ways by thousands of users. Most can be made in heat resistant phenolic to meet high heat requirements. The two exceptions are those with adjustable legs, which are thermoplastic and provide a unique leveling capability by adjusting up to 1-1/4".



Material Type	Part No.	A	B	Tapped Thread					Plain Molded Hole							
				8-32	10-24	10-32	1/4-20	1/4-28	0.150	0.156	0.168	0.187	0.190	0.196	0.218	
TS	4000	7/8	5/8	▲	■	■	▲	▲	■	▲	■	▲	▲	■	▲	▲
TS	4005	3/4	5/8	▲	▲	▲	▲	▲	▲	▲	■	▲	▲	▲	▲	▲
TS	4010	3/4	7/8	▲	▲	▲	▲	▲	▲	■	▲	▲	▲	▲	▲	▲
TS	4020	7/8	7/8	▲	■	▲	■	▲	■	■	▲	▲	■	▲	▲	▲
TS	4030	1	1 1/2	▲	▲	▲	▲	▲	▲	▲	▲	▲	■	■	▲	▲
TS	4040	1	2	▲	■	▲	▲	▲	▲	▲	▲	▲	▲	■	■	■
TS	4050	7/8	2	▲	▲	▲	▲	▲	▲	▲	▲	■	▲	▲	▲	▲
TS	4060	7/8	1 1/2	▲	▲	▲	▲	▲	▲	▲	▲	■	▲	▲	▲	▲
TS	4070	7/8	2	▲	▲	▲	▲	▲	▲	▲	▲	■	▲	▲	▲	▲
TS	4080	7/8	1 3/4	▲	▲	▲	▲	▲	▲	▲	▲	■	▲	▲	▲	▲

TP | 8510†  
 TP | 8540†

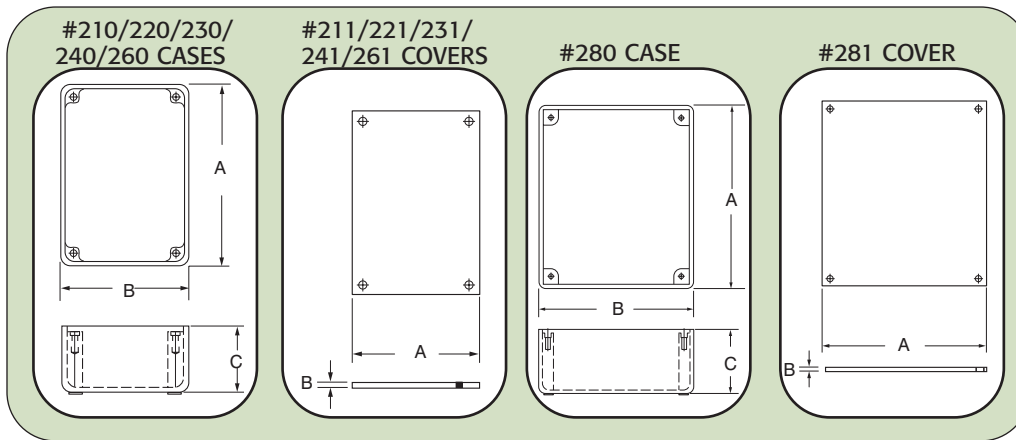
- Currently Manufacture/Tooled
- ▲ Could Manufacture/Requires Tooling
- TS Thermoset
- TP Thermoplastic
- † See Line Drawing above



# Instrument Cases & Covers

## General Purpose Phenolic

- Mar and scratch resistant
- Resistant to most chemicals
- Heat resistant to 475°F
- Impact and electrical grades
- Glossy Black – Provides a high lustre finish
- Various Colors available
- Machining by Davies available



### Cases

Material Type	Part No.	A	B	C	Mounting Holes x Depth	Hardware
TS	0210-A	3 1/2	2 1/2	1 1/4	4-40 X 5/16"-TH (4)	4-40 X 1/2 Screw
TS	0220	4	2 7/8	1 9/16	4-36 X 5/16"-TH (4)	4-36 X 1/2 Screw
TS	0220-A	4	2 7/8	1 9/16	4-40 X 5/16"-TH (4)	4-40 X 1/2 Screw
TS	0220-B	4	2 7/8	1 9/16	.099 X 7/16"-PH (4)	1/2" #4 Self Tap
TS	0230	5	4 1/4	1 3/4	.099 X 7/16"-PH (4)	1/2" #4 Self Tap
TS	0230-A	5	4 1/4	1 3/4	6-32 X 5/16"-TI (4)	6-32" X 3/8" Screw
TP	0240	6 1/4	3 3/4	2	.113 X 1/2"-PH (4)	1/2" #6 Self Tap
TP	0240-B	6 1/4	3 3/4	2	6-32 X 5/16"-TI (4)	6-32" X 3/8" Screw
TP	0260	6 13/16	5 9/32	2 5/16	.089 X 1/2"-PHCH	1/2" #4 Self Tap
TP	0260-K	6 13/16	5 9/32	2 5/16	5/16" X 1/16"-TI (4)	6-32" X 3/8" Screw
TP	0280	8 7/16	7 7/16	3 1/64	6-32 X 1/4"-TI (6)	6-32" X 3/8" Screw

### Covers

Material Type	Part No.	A	B	Case No.
TS	0211	2 19/64	1/16	210
TS	0221	2 17/64	1/16	220/220A/220B
TS	0231	4	1/16	230/230A
TS	0241	3 47/64	1/4	240/240B
TS	0245	3 47/64		COVER W/READOUT OPENING
TS	0261	5 17/64	1/4	260/260K
TS	0281	7 7/64	1/8	280

# Instrument Cases & Covers



0225



0250

## Hi-impact A.B.S. Thermoplastic

Perfect for nearly every hard use industrial and electronic application. Easily machined – will not chip or crack during fabrication.

Typical Wall Thickness: All Parts .080"

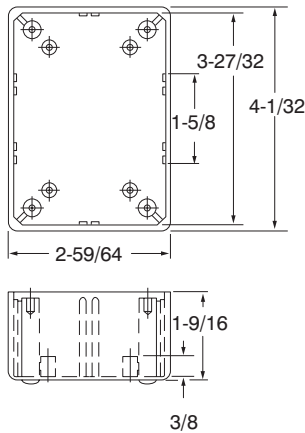
- Satin Finish
- Spectrum Colors on Request
- Available in KJB CYCOLAC  
An improved thermoplastic with a flammability rating of 94 V-O at .080" thickness and continue use temperature of 70°
- Four Plain Holes  
For Self-Tapping screws
- Printed Circuit Boards (#225)  
Two guides on long side  
One guide on short side  
Guides accept .062" thick cards
- Printed Circuit Boards (#250 only)  
Three guides on long side  
Two guides on short side  
Guides accept .062" thick cards
- Partitions  
Guides can be used for partitioning of electric components
- Stand Offs (#250 only)  
Four posts .120" I.D. x 11/32" Deep  
For #6 Self-Tapping Screw-Type AB on bottom for easy P.C. board mounting
- Wall Mount (#250 only)  
Two knock-outs on case  
Two knock-outs on cover
- Interlocking Cover

### #225 CASE

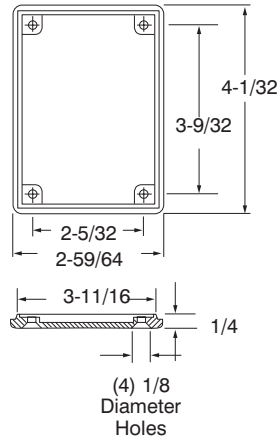
Standard Mountings:  
.099 x 5/16" Plain Plastic Holes

Inside Dimensions:  
3-25/32" L x 2-21/32" W x 1-15/32" D

#### #225 CASE



#### #226 MATING COVER

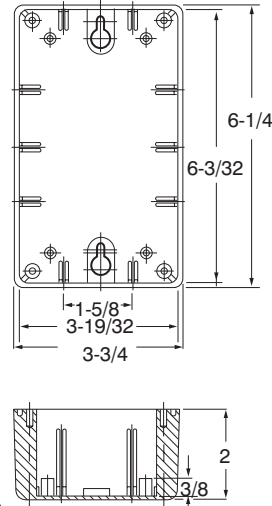


### #250 CASE

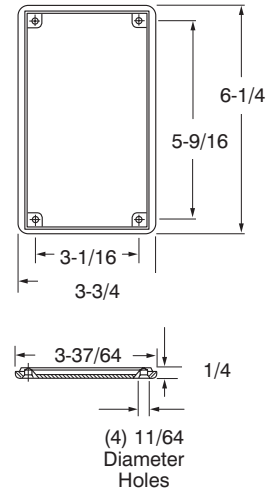
Standard Mountings:  
(4) .120 x 11/32" Plain Holes

Inside Dimensions:  
6-3/32" L x 3-19/32" W x 1-59/64" D

#### #250 CASE



#### #251 MATING COVER





# Handle System HS-30

Multipurpose plug-in system for machines, technical systems, and security zones.

**STANDARD VERSION:** Molded parts made of die-cast aluminum, black powder-coated, semi-matte with fine structure. Screws and tightening elements made of steel, galvanized and passivated. Ready-for-assembly, end and T-pieces including black galvanized fastening screws.

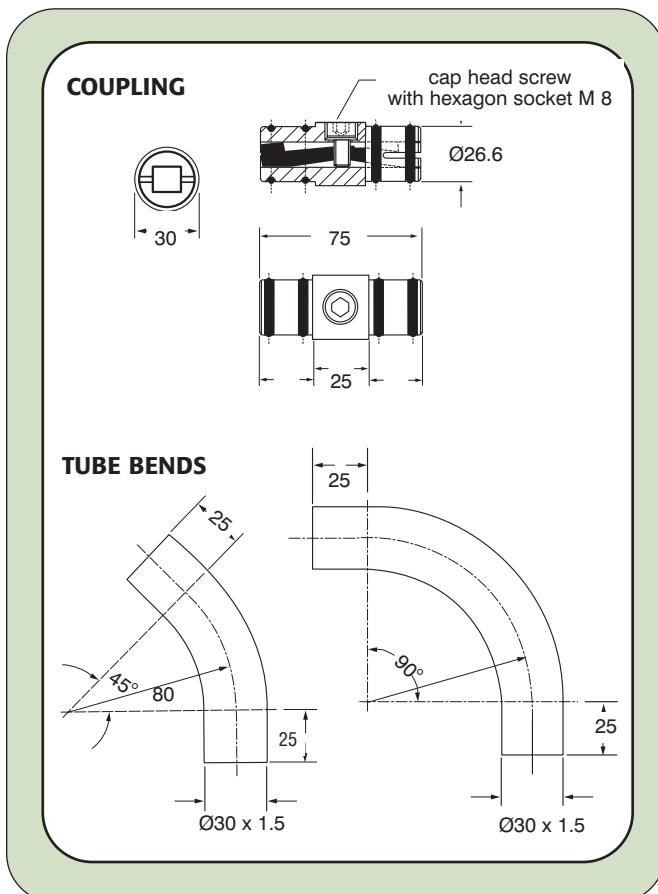
**WET ZONE VERSION:** All the same features as our standard version but with screws, nuts, and washers made of stainless steel and M8 tightening screws with splash-proof washers made of plastic.

Simple assembly of the single parts. Continuous transition from the connection pieces to the tube. O-seal clamping of the tubes via tightening elements. Splash-proof design for wet zones.



Coupling Flange	Order No.
Standard	HS-30.KSA.54
Wet-well design	HS-30.KNA.54

All dimensions in metric





# Handle System HS-30

## TUBES & BENDS

High strength aluminum alloy tube.

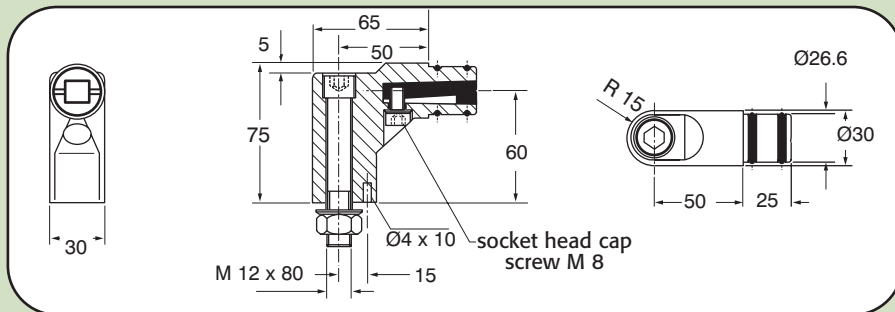
VERSION A: Surface ground, glass blasted, and anodized in natural color with a satin finish.

VERSION B: Surface black powder-coated, semi-matte with fine structure in accordance to the connection pieces.

Specified tube lengths and bends (also in stainless steel) are available upon request.

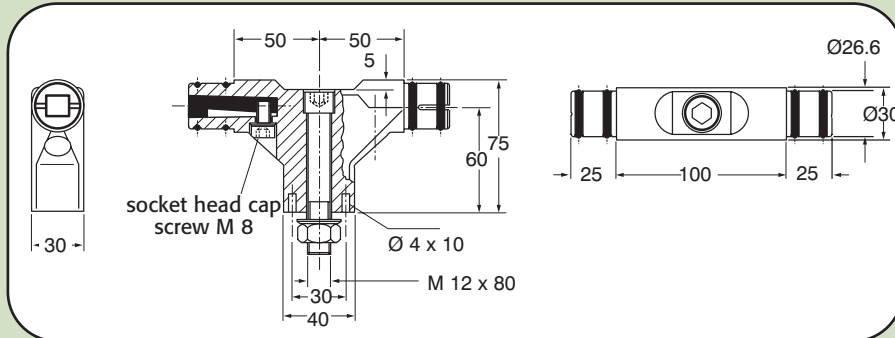
End Piece	Order No.
Standard	HS-30.ESA.54
Wet-well design	HS-30.ENA.54

### END PIECE



T-Piece	Order No.
Standard	HS-30.TSA.54
Wet-well design	HS-30.TNA.54

### T-PIECE



### Tubes

Ø 30 x 1.5

Length	Version A Order No.	Version B Order No.
200	HS-30.200.11	HS-30.200.54
300	HS-30.300.11	HS-30.300.54
400	HS-30.400.11	HS-30.400.54
500	HS-30.500.11	HS-30.500.54
600	HS-30.600.11	HS-30.600.54
700	HS-30.700.11	HS-30.700.54

Fastening distance (between T- and end pieces) = length of tube + 100 mm

Tube Bends	45°	HS-30.B45.11	HS-30.B45.54
Ø 30 x 1.5	90°	HS-30.B90.11	HS-30.B90.54

All dimensions in metric

# Handle Series RR

Multipurpose handle types in 2 design dimensions, similar to series RS, for engineering and building apparatuses. Particularly suitable for handle mounting in corners or between opposite wall surfaces. The handle shank RR-20 is provided with 4 triangular PVC profiles and the handle shank RR-30 with 2 triangular PVC profiles, inside of the pipe connection. When the round tube is pressed in, the plastic profiles will shear and give a firm, snug fit.

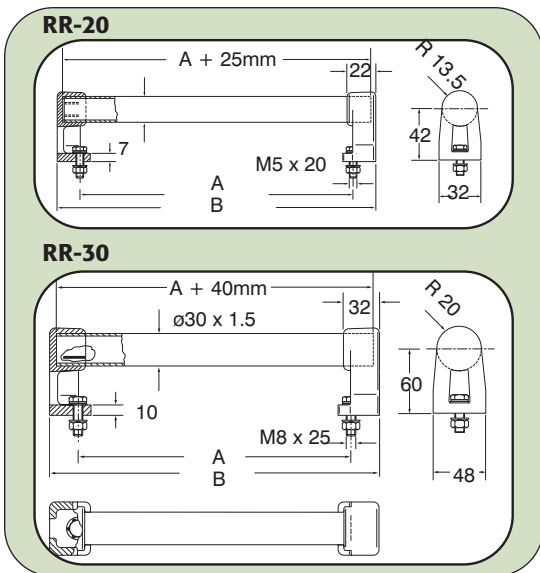
Handle shanks made of engineering grade nylon, glass ball reinforced, black, similar to semi-matte, with fine structure. Connecting tubes made of aluminum.

VERSION A: Connecting tube ground and anodized in natural color.

VERSION B: Connecting tube with grooved plastic cover.

RR-20 is supplied with black galvanized hexagon screw M5 x 20 and galvanized nuts with washers. RR-30 same as above but with screw M8 x 25.

Desired handle lengths are available upon request.



## Single Components

Item	Order No.
Handle shank, 1 piece, with mounting material	RR-20.000.84
	RR-30.000.84
Handle shank, 1 piece, without mounting material	RR-20.0WS.84
Connecting tube, 1 m Version A	RR-20.001.01
	RR-30.001.01

A	Type RR-20		B	Type RR-30		B
	Version A Order No.	Version B Order No.		Version A Order No.	Version B Order No.	
150	RR-20.150.62	RR-20.150.63	184	RR-30.150.62	RR-30.150.63	200
200	RR-20.200.62	RR-20.200.63	234	RR-30.200.62	RR-30.200.63	250
250	RR-20.250.62	RR-20.250.63	284	RR-30.250.62	RR-30.250.63	300
300	RR-20.300.62	RR-20.300.63	334	RR-30.300.62	RR-30.300.63	350
350	RR-20.350.62	RR-20.350.63	384	RR-30.350.62	RR-30.350.63	400
400	RR-20.400.62	RR-20.400.63	434	RR-30.400.62	RR-30.400.63	450
500	RR-20.500.62	RR-20.500.63	534	RR-30.500.62	RR-30.500.63	550
600	RR-20.600.62	RR-20.600.63	634	RR-30.600.62	RR-30.600.63	650

All dimensions in metric

# Handle Series MS

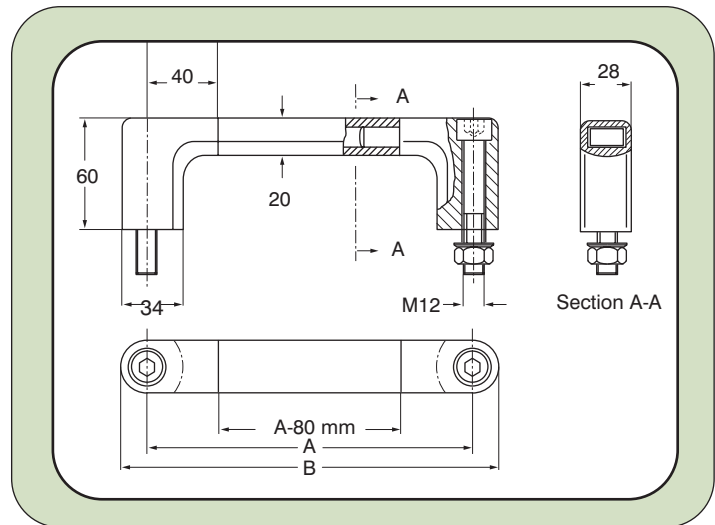
Machine, instrument, and equipment handles for universal use and for any hole spacings. Extra rugged design with excellent human engineering. Handle ledge and elbow section plug press-connected.

**MATERIAL:** Elbow sections made of die-cast aluminum, connecting grip ledge of aluminum profile tubing.

**SURFACE FINISH:** Handle elbow section black powder-coated, semi-matte, with fine structure; aluminum connecting grip ledge, satin finish anodized in natural color.

**SCOPE OF SUPPLY:** Includes black galvanized cap head screws with hexagon socket M12 x 70, galvanized washers and nuts. Grip ledge and elbow sections are pre-assembled.

**SPECIAL VERSIONS:** Specified handle lengths are available upon request.



<b>A</b>	<b>Order No.</b>	<b>B</b>
180	MS-01.180.62	208
200	MS-01.200.62	228
250	MS-01.250.62	278
300	MS-01.300.62	328
350	MS-01.350.62	378
400	MS-01.400.62	428
500	MS-01.500.62	528
600	MS-01.600.62	628

All dimensions in metric

# Handle Series BP

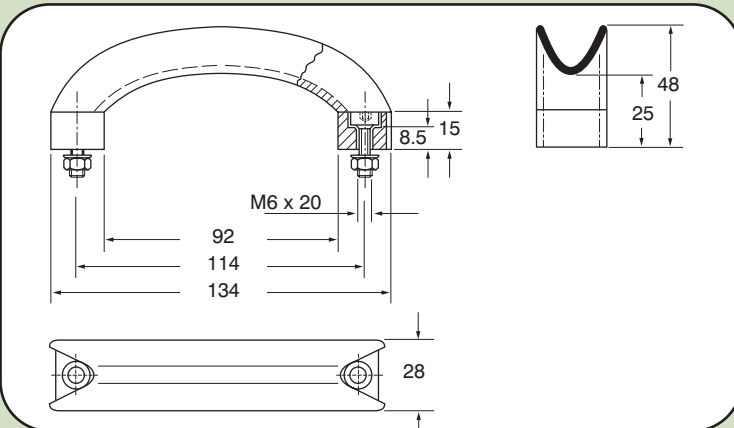
Plastic handle in high quality and unusual design.

**MATERIAL:** Thermoplastic, fiberglass-reinforced with threaded bushing in brass.

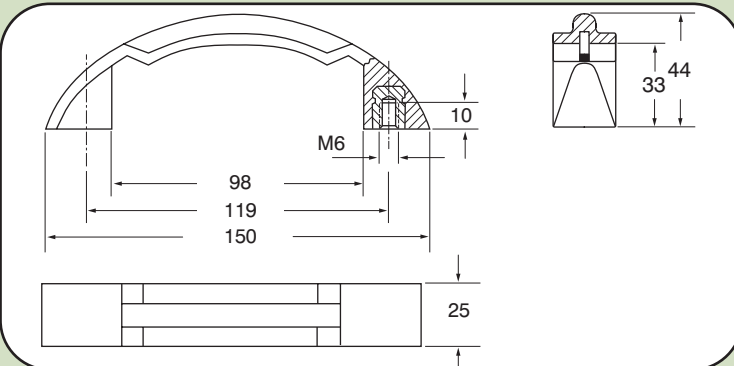
**VERSION:** Matte black with attractive, fine grain structure.

**NOTE:** Referring to the order no. the handle type BP-01 is also available with black galvanized cap screws with hexagon socket M6 x 20 galvanized washers and nuts.

**BP-01**



**BP-02**



Without Screws Order No.	With Screws Order No.
BP-01.114.84	BP-01.114.84S
BP-02.119.84	-

All dimensions in metric

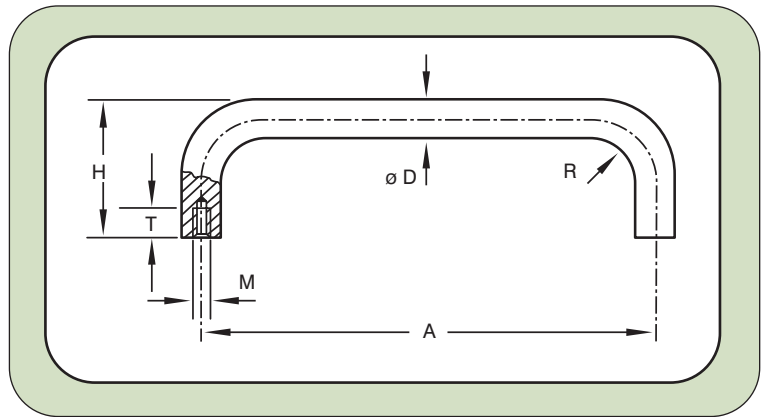
# Handle Series M1

Machine and Control Housing Handles M1

MATERIAL: Round bar aluminum AlMgSi 0.5.

SURFACE TREATMENT: Ground, glass bead blasted and anodized in 2 colors with satin finish.

SPECIAL VERSIONS: Handles with other mounting hole center distances are available on request.



D Ø	A	Natural Color Anodized Order No.	Black Anodized Order No.	M	T	H	R
20	200	M1-20.R200.11	M1-20.R200.14	8	15	70	22
	250	M1-20.R250.11	M1-20.R250.14				
	300	M1-20.R300.11	M1-20.R300.14				
	350	M1-20.R350.11	M1-20.R350.14				
	400	M1-20.R400.11	M1-20.R400.14				
	600	M1-20.R600.11	M1-20.R600.14				
AL-cover plates for Ø 20		M1-20.000.01	M1-20.000.04	Pack of 2 pieces			
25	200	M1-25.R200.11	M1-25.R200.14	8	15	85	28
	250	M1-25.R250.11	M1-25.R250.14				
	300	M1-25.R300.11	M1-25.R300.14				
	400	M1-25.R400.11	M1-25.R400.14				
	600	M1-25.R600.11	M1-25.R600.14				
30	300	M1-30.R300.11	M1-30.R300.14	10	15	100	34
	400	M1-30.R400.11	M1-30.R400.14				
	600	M1-30.R600.11	M1-30.R600.14				

All dimensions in metric

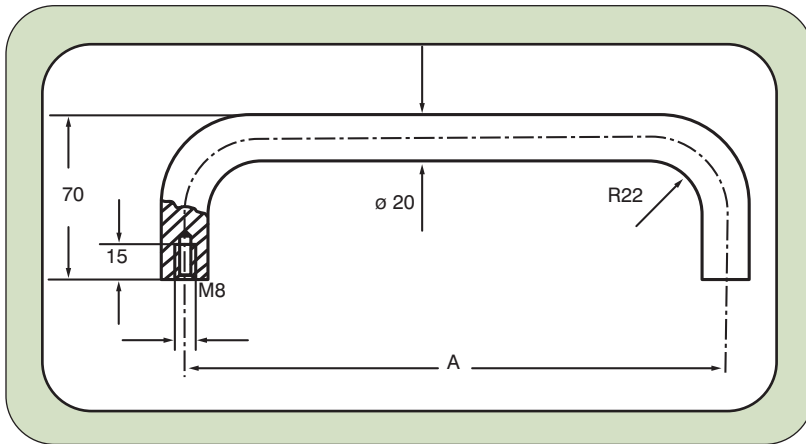
# Handle Series M2

Machine Handles M2

MATERIAL: Round bar steel  $\varnothing$  20 mm.

SURFACE TREATMENT: Ground, brushed matte chromium plated or black powder-coated with fine structure.

SPECIAL VERSIONS: Handles with other bore hole distances are available on request.



A	Matte Chromium-Plated Order No.	Black Powder-Coated Order No.
200	M2-20.200.27	M2-20.200.54
250	M2-20.250.27	M2-20.250.54
300	M2-20.300.27	M2-20.300.54
350	M2-20.350.27	M2-20.350.54
400	M2-20.400.27	M2-20.400.54

All dimensions in metric

# Handle Series M3

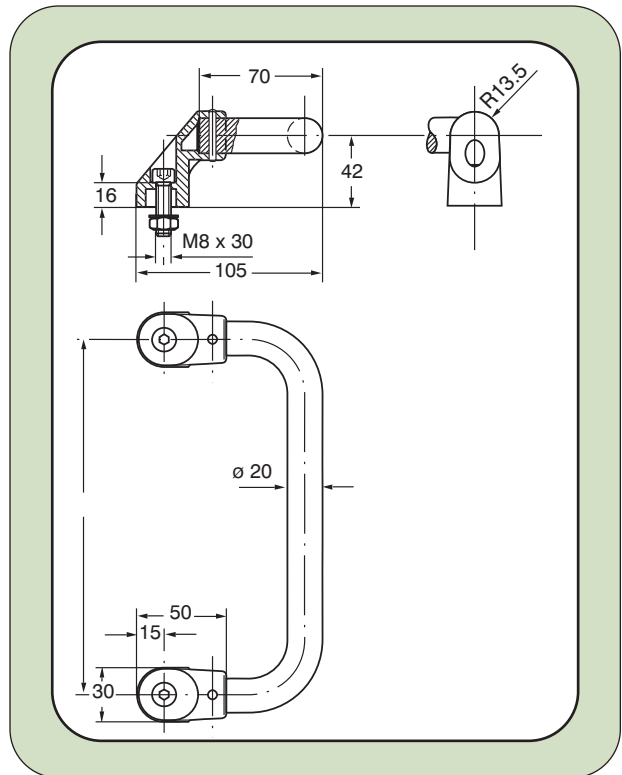
Offset machine handles for screw-attachment from in front.

**MATERIAL:** Handle shank of heavy-duty polyamide, glass bead reinforcement, black, similar to RAL 9005, half-matte with fine-grain structure.

Connecting bow  $\varnothing$  20 round aluminum AlMgSi 0.5 satin matte anodized, in three colors.

Handle ledge and aluminum bow pinned. Load-carrying ability greater than 800 N-force per handle.

**SCOPE OF SUPPLY:** Includes black galvanized cheese head screws with hexagon sockets M 8 x 30 DIN 912 and galvanized nuts DIN 934 with washers DIN 125.



## Anodizing Version of Aluminum Bow

A	Natural Color Order No.	Black Powder-Coated Order No.	Titanium Order No.
200	M3-20.A200.11	M3-20.A200.14	M3-20.A200.15
250	M3-20.A250.11	M3-20.A250.14	M3-20.A250.15
300	M3-20.A300.11	M3-20.A300.14	M3-20.A300.15
350	M3-20.A350.11	M3-20.A350.14	M3-20.A350.15
400	M3-20.A400.11	M3-20.A400.14	M3-20.A400.15

All dimensions in metric



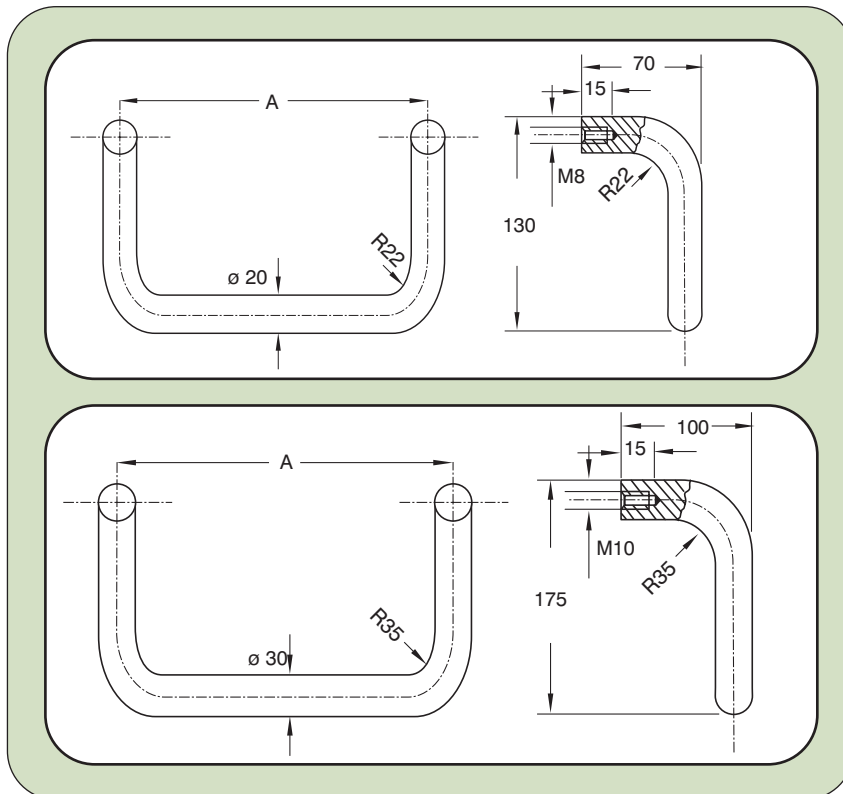
# Handle Series M4

Machine and Control Housing Handles M1

MATERIAL: Round bar aluminum AlMgSi 0.5.

SURFACE TREATMENT: Ground, glass bead blasted and anodized in two colors with satin finish.

SPECIAL VERSIONS: Handles with other mounting hole center distances are available on request.



<b>DØ</b>	<b>A</b>	<b>Natural Color Anodized Order No.</b>	<b>Black Anodized Order No.</b>	
20	200	M4-20.200.11	M4-20.200.14	
	250	M4-20.250.11	M4-20.250.14	
	300	M4-20.300.11	M4-20.300.14	
	350	M4-20.350.11	M4-20.350.14	
	400	M4-20.400.11	M4-20.400.14	
	AL-cover plates for Ø 20	M1-20-000-01	M1-20.000.04	Pack of 2 pieces
30	300	M4-30.300.11	M4-30.300.14	
	350	M4-30.350.11	M4-30.350.14	
	400	M4-30.400.11	M4-30.400.14	
	500	M4-30.500.11	M4-30.500.14	

All dimensions in metric

GENERAL PURPOSE

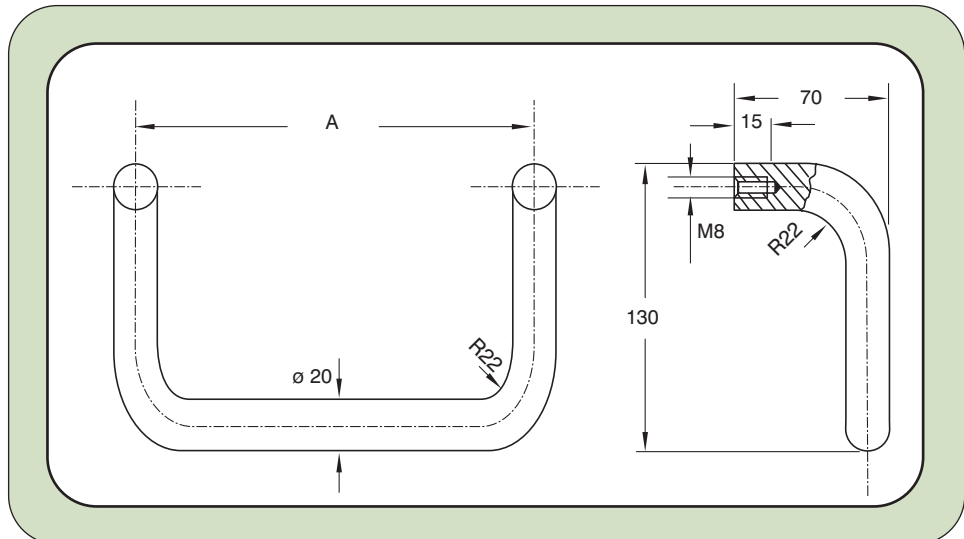
# Handle Series M5

## Cranked Machine Handles M5

**MATERIAL:** Round bar steel,  $\varnothing$  20 mm.

**SURFACE FINISH:** Ground, brushed matte chromium-plated or black powder-coated with fine structure.

**SPECIAL VERSIONS:** Handles with other mounting hole center distances are available on request.



<b>A</b>	<b>Matte Chromium-Plated Order No.</b>	<b>Black Powder-Coated Order No.</b>
200	M5-20.200.27	M5-20.200.54
350	M5-20.350.27	M5-20.350.54

All dimensions in metric

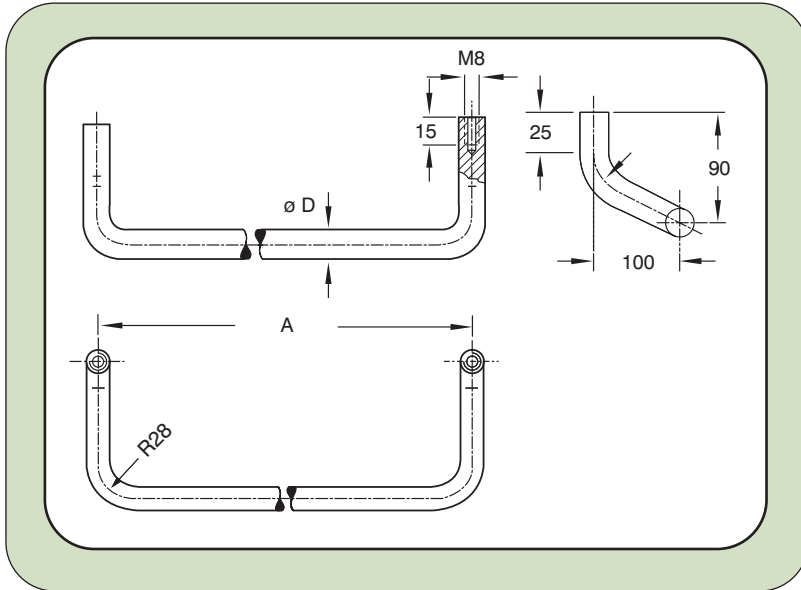
# Handle Series KG

Control Panel Handles KG

MATERIAL: Round bar aluminum AlMgSi 0.5.

SURFACE TREATMENT: Ground, glass bead blasted, black satin finish.

SPECIAL VERSIONS: All handle lengths available on request.



A	Order No.	ø D
200	KG-16.200.14	16
250	KG-16.250.14	
300	KG-16.300.14	
350	KG-16.350.14	
400	KG-16.400.14	
450	KG-16.450.14	18
500	KG-18.500.14	
550	KG-18.550.14	
600	KG-18.600.14	
650	KG-18.650.14	

All dimensions in metric

Installation Hardware	Handle ø D	Order No.
Al cover plates, black anodized, semi-matte finish, pack of 2 pcs.	16	KG-16.000.04
Al cover plates, black anodized, semi-matte finish, pack of 2 pcs.	18	KG-18.000.04

# Handle Series KB

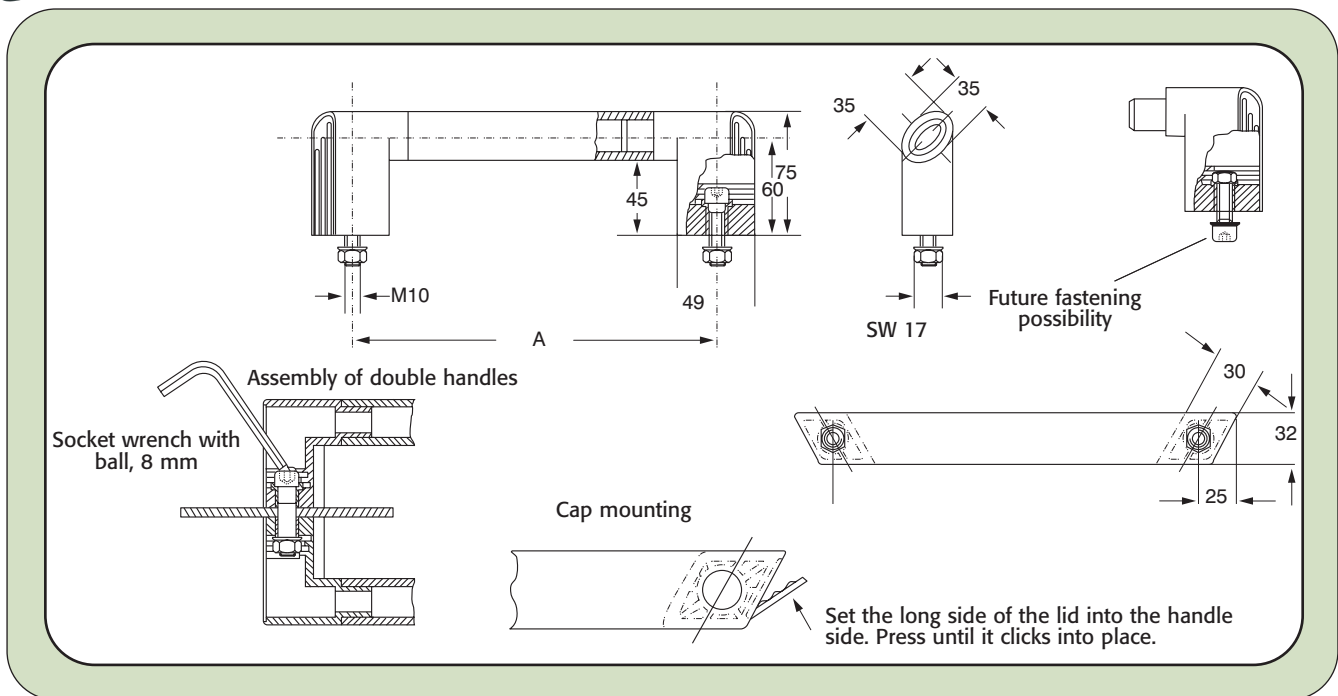


These push-in type machine handles are distinguished by their modern industrial design.

**MATERIAL AND DESIGN:** Polyamide handle posts, anthracite, silk matte, with fine texture. Oval section aluminum connecting pipe, natural color anodized or anthracite plastic coated.

**STRUCTURAL FEATURES:** The oval pipe fits accurately and firmly on the pens of the handle posts. Optional mounting with bolts at the front, at the back, and for double handle mounting.

**SUPPLY:** Including M10x45 DIN912 screws with nuts and washers, galvanized and chrome-plated.



A	Oval Tube Anodized Order No.	Oval Tube Plastic-Coated Order No.
180	KB-32.180.62	KB-32.180.65
200	KB-32.200.62	KB-32.200.65
250	KB-32.250.62	KB-32.250.65
300	KB-32.300.62	KB-32.300.65
350	KB-32.350.62	KB-32.350.65
400	KB-32.400.62	KB-32.400.65
500	KB-32.500.62	KB-32.500.65
600	KB-32.600.62	KB-32.600.65

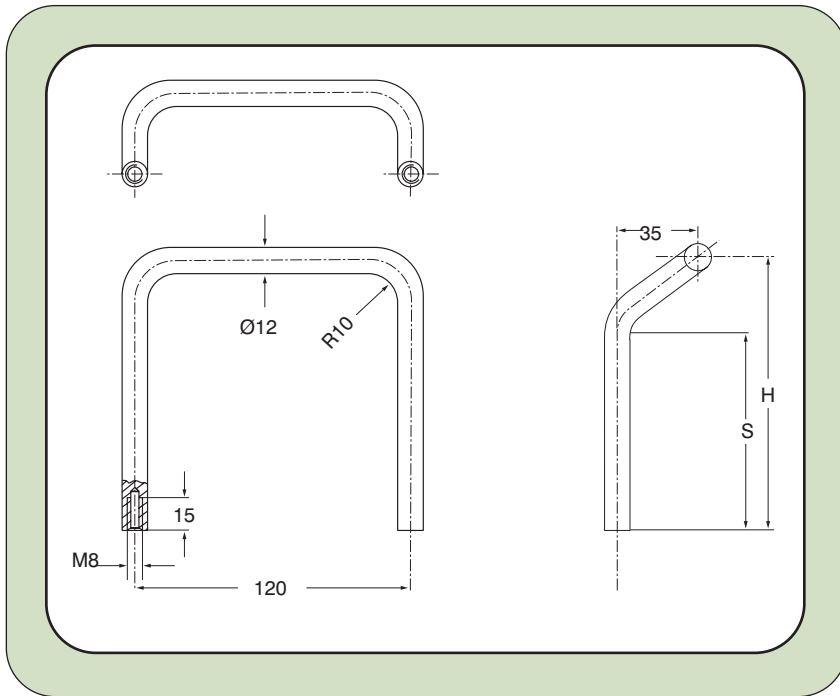
All dimensions in metric

# Cranked Machine Handles AM

MATERIAL: Round steel rod, Ø 12 mm.

SURFACE FINISH: Precision-ground and chromium-plated mirror finish.

SPECIAL VERSIONS: Additional sizes or surface versions are available upon request.



H	Order No.	S
60	AM-27.120.22	27
120	AM-87.120.22	87

All dimensions in metric

GENERAL PURPOSE

# Handle Series R

Particularly versatile and attractive series for 19" drawers and instruments.

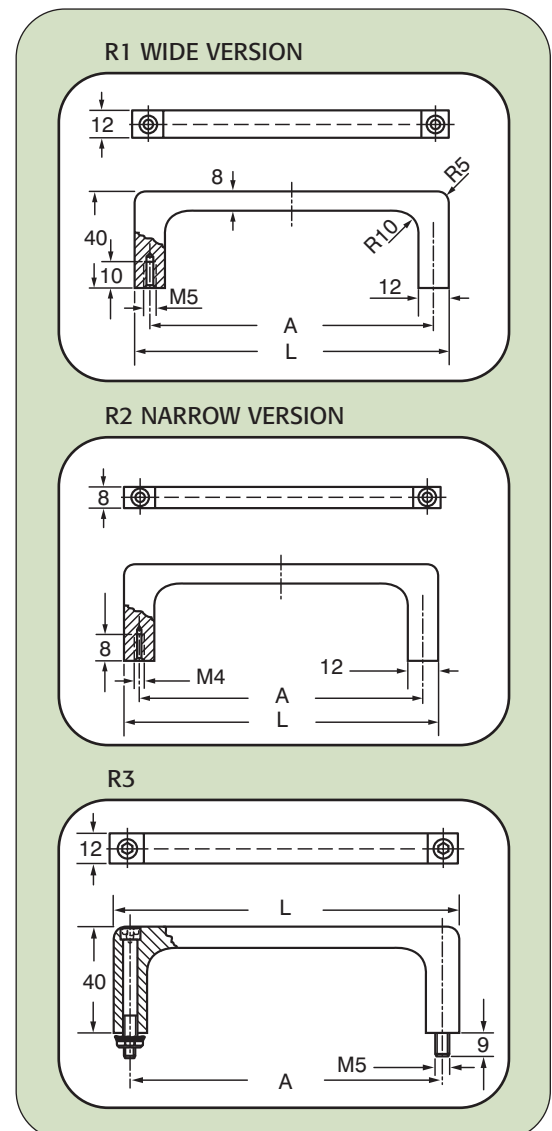
**MATERIAL:** Profile aluminum AiMgSi 0.5.

**SURFACE FINISH:** Vibration ground and anodized to a matte finish in natural or black color.

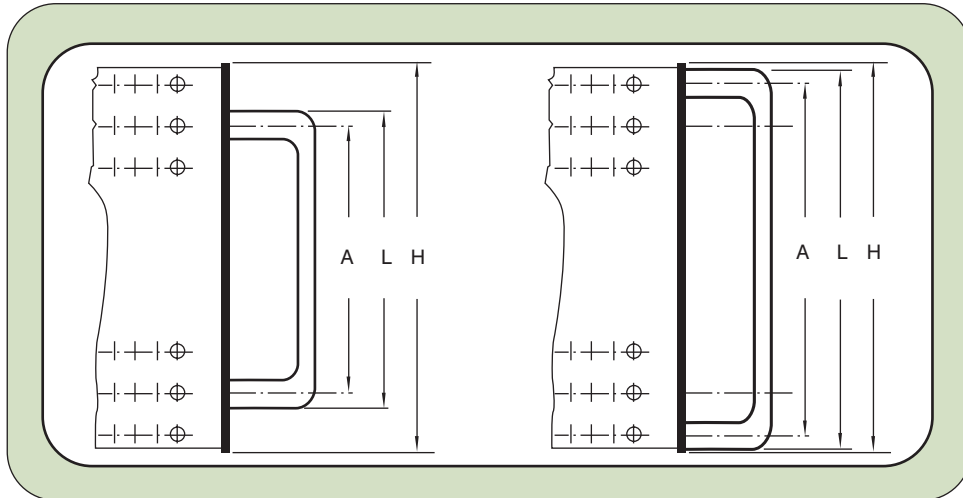
**VERSIONS:** Types R1 & R2 differ in width and in size of thread and can therefore be adapted to case specifications.

Type R3 screws mounting from the front. Scope of supply includes stainless steel cheese head screws with hexagon socket M 5 x 45 DIN 912 and galvanized, self-locking ratchet nuts.

**CUSTOM COLORS:** Custom colors available in accordance with terms of delivery.



# Handle Series R



HE = unit of height  
 1 HE = 44.45 mm - 1-5/8"  
 Height of front panels =  
 HE x 44.45 mm - 0.8 mm  
 L = H - 0.5 MM

Suitable Mounting Version	L	A	Height of Front Panel H	Handle Color	Type R1 Order No.	Type R2 Order No.	Type R3 Order No.
1	67	55	88.1 (2HE)	Natural Black	R1-12.055.01 R1-12.055.04	R2-08.055.01 R2-08.055.04	R3-12.055.01 R3-12.055.04
	100	88	132.5 (3HE)	Natural Black	R1-12.088.01 R1-12.088.04	R2-08.088.01 R2-08.088.04	R3-12.088.01 R3-12.088.04
	132	120	177.0 (4HE)	Natural Black	R1-12.120.01 R1-12.120.04	R2-08.120.01 R2-08.120.04	R3-12.120.01 R3-12.120.04
	192	180	221.5 (5HE)	Natural Black	R1-12.180.01 R1-12.180.04	R2-08.180.01 R2-08.180.04	R3-12.180.01 R3-12.180.04
	247	235	266.0 (6HE)	Natural Black	R1-12.235.01 R1-12.235.04	R2-08.235.01 R2-08.235.04	R3-12.235.01 R3-12.235.04
2	43.5	32.0	44.0 (1HE)	Natural Black	R1-12.032.01 R1-12.032.04	R2-08.032.01 R2-08.032.04	R3-12.032.01 R3-12.032.04
	87.5	75.5	88.1 (2HE)	Natural Black	R1-12.075.01 R1-12.075.04	R2-08.075.01 R2-08.075.04	R3-12.075.01 R3-12.075.04
	132.0	120.0	132.5 (3HE)	Natural Black	R1-12.120.01 R1-12.120.04	R2-08.120.01 R2-08.120.04	R3-12.120.01 R3-12.120.04
	265.5	253.5	266.0 (6HE)	Natural Black	R1-12.253.01 R1-12.253.04	R2-08.253.01 R2-08.253.04	R3-12.253.01 R3-12.253.04

All dimensions in metric



# Aluminum SK Series



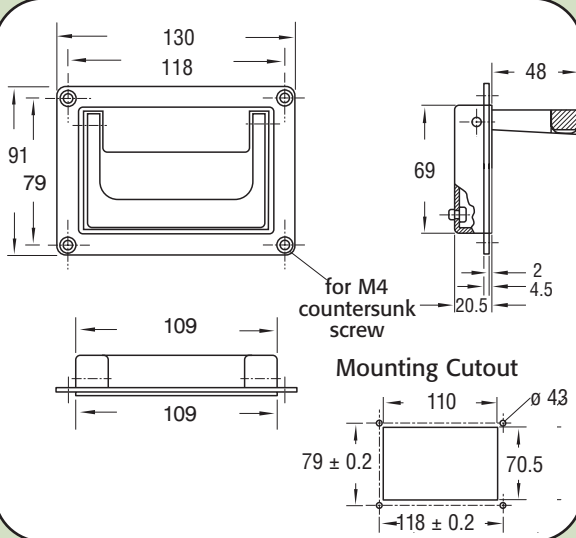
These collapsible tray handles feature a contemporary design and are used wherever both durability and attractive styling are required.

Mountable in front of or behind the housing wall with the same housing cutout. Natural finger profiling at the rear of the hinged handle. Can also be used for lifting a device in the retracted state.

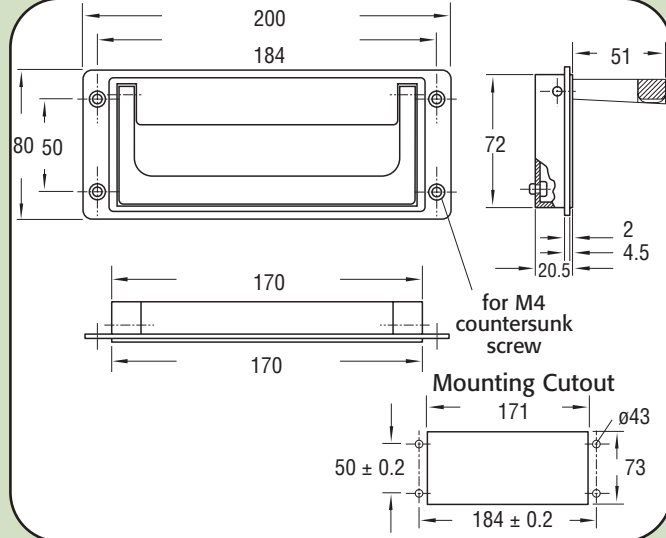
Type SK-50.S and SK-79.S have a snap-lock and hold both in rest and work positions. Type SK-50.R and SK-79.R have a pull-back spring and retract from the working to the rest position.

Made of pressure-molded aluminum with a black or light grey powder-coated, half-matte finish.

SK-79.118



SK-79.184



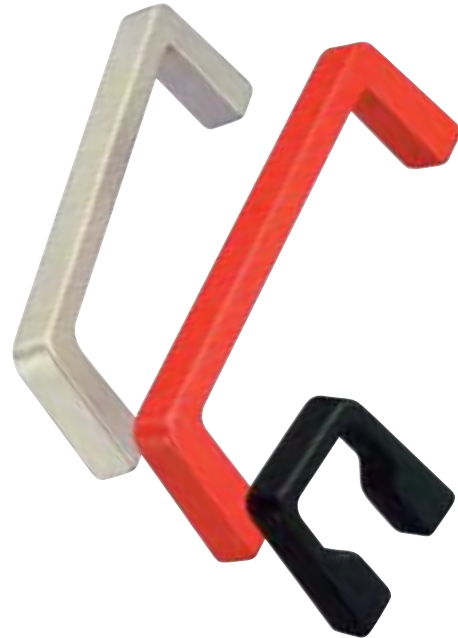
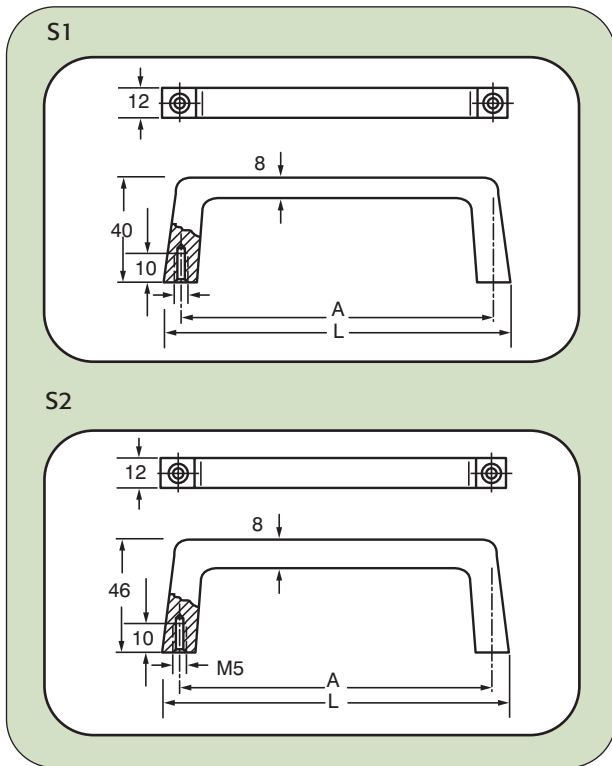
Supply Versions	SK-79.S w/ Snaplock Order No.	SK-79.R w/ Pull-Back Spring Order No.	SK-50.S w/ Snaplock Order No.	SK-50.R w/ Pull-Back Spring Order No.
Black	SK-79.S118.9905	SK-79.R118.9005	SK-50.S184.9005	SK-50.R184.9005
Light Grey	SK-79.S118.7035	SK-79.R118.7035	SK-50.S184.7035	SK-50.R184.7035
Without Enamel and Unassembled	SK-79.S118.00	SK-79.R118.00	SK-50.S184.00	SK-50.R184.00

All dimensions in metric

# Aluminum S Series

Standard versions for 19" drawers and instruments. Made of cut profiled aluminum with an anodized matte finish in natural color or black.

All dimensions are shown in mm. All dimensions and thread sizes are available in English units.



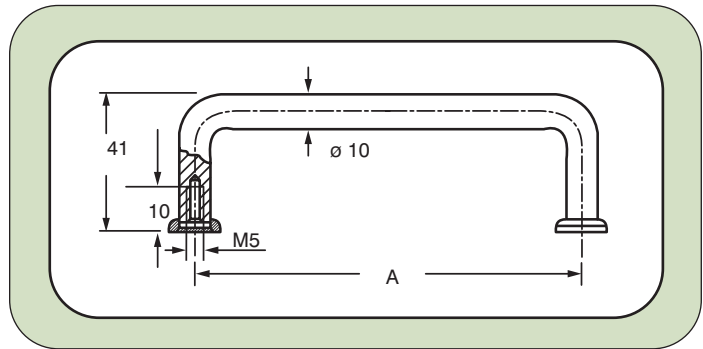
Type	L [mm]	A [mm]	Natural Order No.	Black Order No.
S1	40	25	S1-12.025.01	S1-12.025.04
	69	55	S1-12.055.01	S1-12.055.04
	102	88	S1-12.088.01	S1-12.088.04
	134	120	S1-12.120.01	S1-12.120.04
	146.5	134.4	S1-12.133.01	S1-12.133.04
	191	177.8	S1-12.177.01	S1-12.177.04
	194	180	S1-12.180.01	S1-12.180.04
	249	235	S1-12.235.01	S1-12.235.04
	265.5	251.5	S1-12.251.01	S1-12.251.04
S2	102	88	S2-12.088.01	S2-12.088.04
	132	120	S2-12.120.01	S2-12.120.04
	265.5	251.5	S2-12.251.01	S2-12.251.04

All dimensions in metric

# Aluminum RA Series

Round bar aluminum. Anodized in natural or black with a matte finish. Also available in a satin finish version which is surface glass bead blasted in a natural satin or black anodized finish.

All dimensions are shown in mm. All dimensions and thread sizes are available in English units.



A	Standard		Satin-finish	
	Natural Order No.	Black Order No.	Natural Order No.	Black Order No.
55	RA-10.055.01	RA-10.055.04	RA-10.055.11	RA-10.055.14
88	RA-10.088.01	RA-10.088.04	RA-10.088.11	RA-10.088.14
100	RA-10.100.01	RA-10.100.04	RA-10.100.11	RA-10.100.14
120	RA-10.120.01	RA-10.120.04	RA-10.120.11	RA-10.120.14
180	RA-10.180.01	RA-10.180.04	RA-10.180.11	RA-10.180.14
200	RA-10.200.01	RA-10.200.04	RA-10.200.11	RA-10.200.14
235	RA-10.235.01	RA-10.235.04	RA-10.235.11	RA-10.235.14
250	RA-10.250.01	RA-10.250.04	RA-10.250.11	RA-10.250.14

## Standard Version Cover Plates

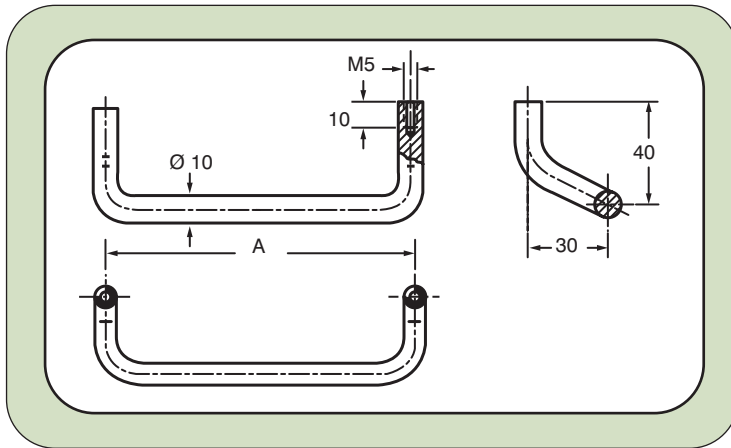
Cover Plates	Order No.
Al cover plates, natural (pack of 20 pieces)	RA-10.000.01
Al cover plates, black (pack of 20 pieces)	RA-10.000.04

All dimensions in metric

# Aluminum AE Series

Round bar aluminum. Vibration-ground and anodized in natural or black with a matte finish.

All dimensions are shown in mm. All dimensions and thread sizes are available in English units.



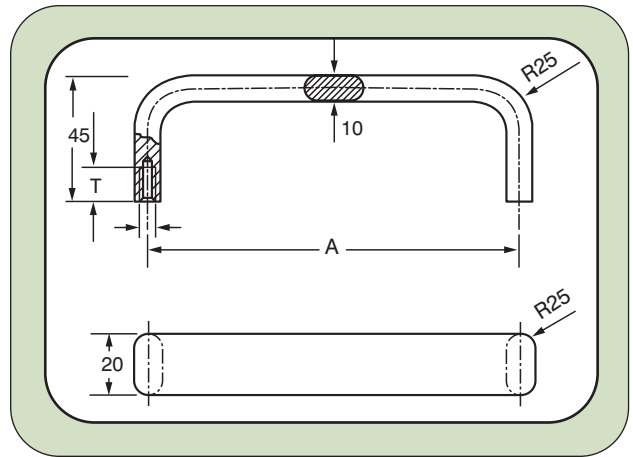
<b>A</b>	<b>Natural Order No.</b>	<b>Black Order No.</b>
86	AE-10.086.01	AE-10.086.04
120	AE-10.120.01	AE-10.120.04
180	AE-10.180.01	AE-10.180.04

All dimensions in metric

# Aluminum MF Series

Flat oval profiled aluminum alloy. Ground and anodized in natural or black with a matte finish.

All dimensions are shown in mm. All dimensions and thread sizes are available in English units.



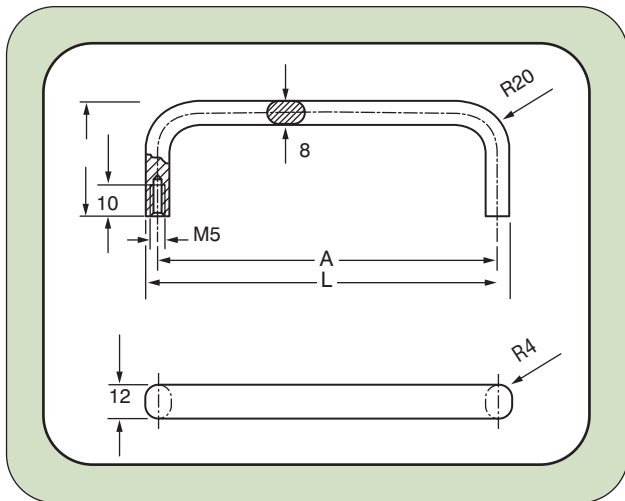
<b>A</b>	<b>Natural Order No.</b>	<b>Black Order No.</b>	<b>M</b>	<b>T</b>
120	MF-20.120.01	MF-20.120.04	5	10
180	MF-20.180.01	MF-20.180.04	5	10
200	MF-20.200.01	MF-20.200.04	5	10
350	MF-20.350.01	MF-20.350.04	6	12

All dimensions in metric

# Aluminum OA Series

Made of oval aluminum. Anodized in natural or black with a matte finish. Also available in a satin finish version which is surface glass bead blasted in a natural satin or black anodized finish.

All dimensions are shown in mm. All dimensions and thread sizes are available in English units.



A	L	Natural Order No.	Black Order No.
55	63	OA-12.055.01	OA-12.055.04
88	96	OA-12.088.01	OA-12.088.04
100	108	OA-12.100.01	OA-12.100.04
120	128	OA-12.120.01	OA-12.120.04
180	188	OA-12.180.01	OA-12.180.04
200	208	OA-12.200.01	OA-12.200.04
235	243	OA-12.235.01	OA-12.235.04
250	258	OA-12.250.01	OA-12.250.04

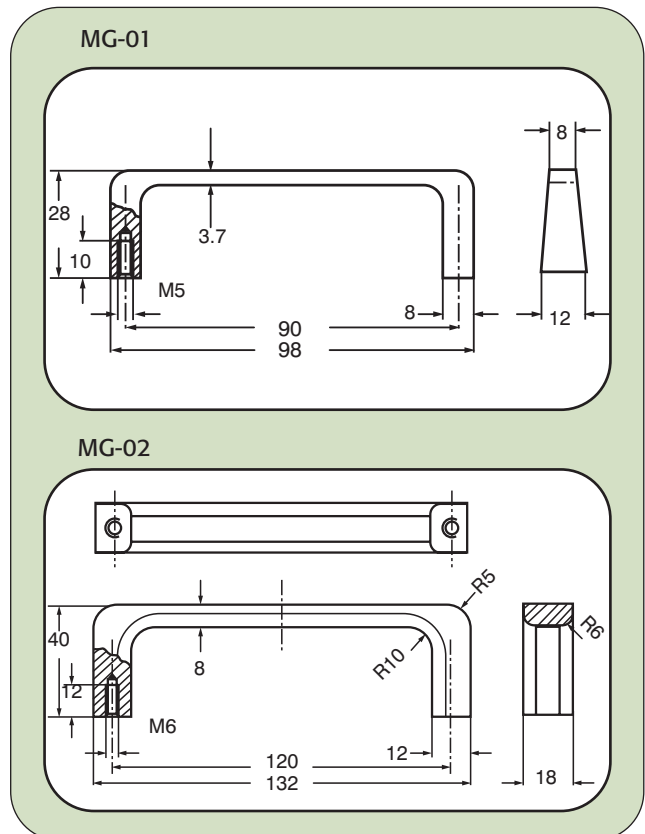
All dimensions in metric

# Aluminum MG Series



Profiled aluminum alloy. Surface is vibration-ground and anodized in natural or black with a matte finish.

All dimensions are shown in mm. All dimensions and thread sizes are available in English units.



ALUMINUM HANDLES

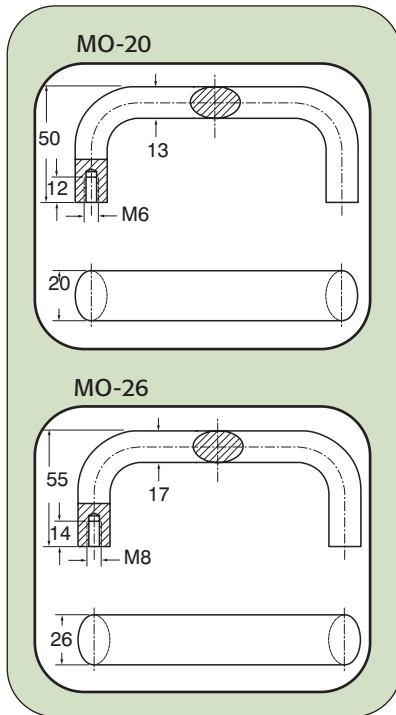
	Type MG-01 Order No.	Type MG-02 Order No.
Natural	MG-01.090.01	MG-02.120.01
Black	MG-01.090.04	MG-02.120.04

All dimensions in metric



# Aluminum MO Series

Oval profiled aluminum alloy. Standard models are surface-ground and anodized with a matte finish or powder coated. The satin finished version is glass blasted and anodized in natural or black with a satin finish surface.



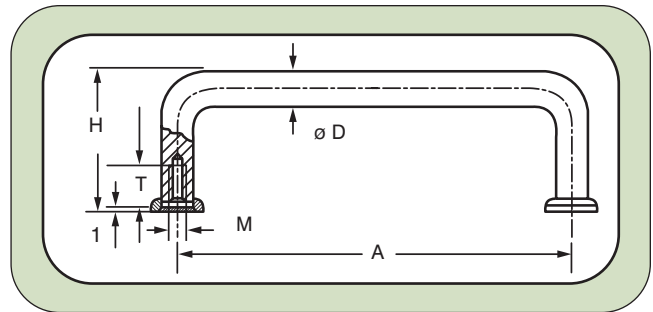
Handle Type	A	Surface Index	Standard	Satin-finish
MO-20	100	Natural	MO-20.100.01	MO-20.100.11
		Black Anodized	MO-20.100.04	MO-20.100.14
		Powder Coated, Black Semi-Matte	MO-20.100.54	-
	112	Natural	MO-20.112.01	MO-20.112.11
		Black Anodized	MO-20.112.04	MO-20.112.14
		Powder Coated, Black Semi-Matte	MO-20.112.54	-
	120	Natural	MO-20.120.01	MO-20.120.11
		Black Anodized	MO-20.120.04	MO-20.120.14
128	Powder Coated, Black Semi-Matte	MO-20.120.54	-	
	Natural	MO-20.128.01	MO-20.128.11	
	Black Anodized	MO-20.128.04	MO-20.128.14	
160	Powder Coated, Black Semi-Matte	MO-20.128.54	-	
	Natural	MO-20.160.01	MO-20.160.11	
	Black Anodized	MO-20.160.04	MO-20.160.14	
MO-26	112	Powder Coated, Black Semi-Matte	MO-20.160.54	-
		Natural	MO-26.112.01	MO-26.112.11
		Black Anodized	MO-26.112.04	MO-26.112.14
	120	Powder Coated, Black Semi-Matte	MO-26.112.54	-
		Natural	MO-26.120.01	MO-26.120.11
	128	Black Anodized	MO-26.120.04	MO-26.120.14
		Powder Coated, Black Semi-Matte	MO-26.120.54	-
	160	Natural	MO-26.128.01	MO-26.128.11
Black Anodized		MO-26.128.04	MO-26.128.14	
Powder Coated, Black Semi-Matte		MO-26.128.54	-	
180	Natural	MO-26.160.01	MO-26.160.11	
	Black Anodized	MO-26.160.04	MO-26.160.14	
	Powder Coated, Black Semi-Matte	MO-26.160.54	-	
192	Natural	MO-26.180.01	MO-26.180.11	
	Black Anodized	MO-26.180.04	MO-26.180.14	
350	Powder Coated, Black Semi-Matte	MO-26.180.54	-	
	Natural	MO-26.192.01	MO-26.192.11	
	Black Anodized	MO-26.192.04	MO-26.192.14	
350	Powder Coated, Black Semi-Matte	MO-26.192.54	-	
	Natural	MO-26.350.01	MO-26.350.11	
350	Black Anodized	MO-26.350.04	MO-26.350.14	
	Powder Coated, Black Semi-Matte	MO-26.350.54	-	

All dimensions in metric

# Round Bar Steel ST Series

Quality handles with tapped mounting holes. Round steel bar, precision-ground and high-gloss-chrome plated surface, including chrome plated brass cover washers.

All dimensions are shown in mm. All dimensions and thread sizes are available in English units.



A	Order No.	ØD	H	M	T
32	ST-05.032.22	5	21	3	6
42	ST-05.042.22				
55	ST-05.055.22				
76	ST-05.076.22				
88	ST-05.088.22	8	33	4	8
32	ST-08.032.22				
55	ST-08.055.22				
64	ST-08.064.22				
88	ST-08.088.22				
96	ST-08.096.22				
98	ST-08.098.22				
102	ST-08.102.22	10	41	5	10
120	ST-08.120.22				
128	ST-08.128.22				
136	ST-08.136.22				
55	ST-10.055.22				
88	ST-10.088.22				
100	ST-10.100.22				
102	ST-10.102.22				
115	ST-10.115.22				
120	ST-10.120.22				
136	ST-10.136.22				
180	ST-10.180.22				
200	ST-10.200.22				
235	ST-10.235.22				
250	ST-10.250.22				

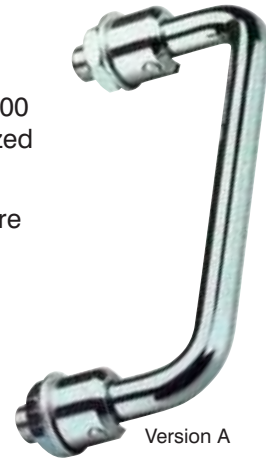
All dimensions in metric

# Round Bar Steel MK Series

The collapsible instrument handle series MK is supplied in two different versions: Version A is precision ground and chromium plated for a mirror finish. Version B is the same as Version A, with an added smooth, plastic-coated grip ledge.

The MK Series is made of round bar steel. Design features include spring-arrestment in both end positions and a stress capacity to 1,000 N per pari due to one-piece shank. Supplied complete with galvanized washers and nuts.

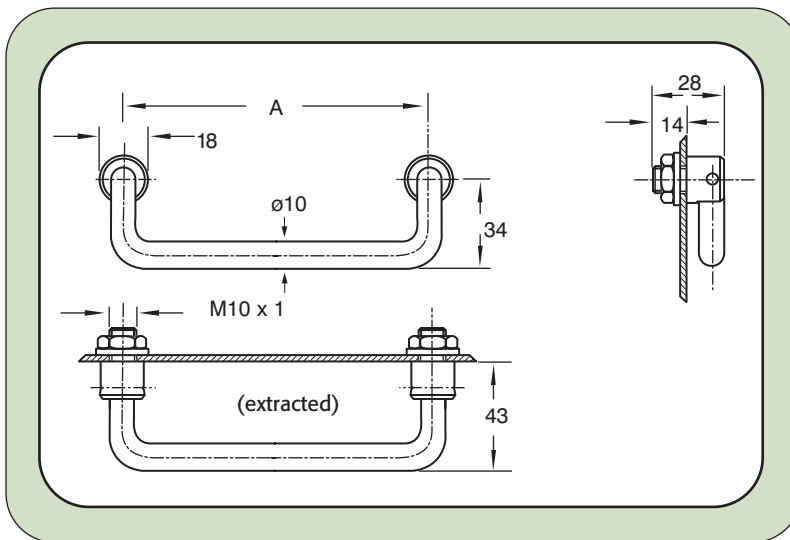
All dimensions are shown in mm. All dimensions and thread sizes are available in English units.



Version A



Version B



<b>A</b>	<b>Version A Order No.</b>	<b>Version B Order No.</b>
100	MK-10.100.22	MK-10.100.23
120	MK-10.120.22	MK-10.120.23
180	MK-10.180.22	MK-10.180.23

All dimensions in metric

# Stainless Steel EF Series



Version A

Version B

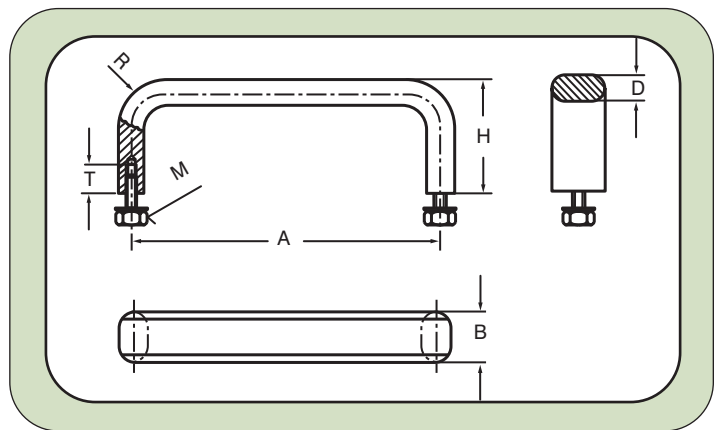
Attractively shaped handles for all applications, with high corrosive and chemical resistance.

Made of sectional high grade 18 8 stainless steel, available in two styles. Version A is surface vibration-ground with a semi-matte finish. Version B is surface vibration-ground, blasted and electropolished with a semi-matte finish.

Includes high grade steel hexagonal head screws DIN 933 and washers DIN 125.

Wide design: screws M6 x 12

Narrow design: screws M5 x 10.



## Narrow Version

B	A	Version A	Version B	M	T	H	D	R
12	100	EF-12.100.31	EF-12.100.36	M5 x 10	10	40	8	22
	120	EF-12.120.31	EF-12.120.36					
	150	EF-12.150.31	EF-12.150.36					
	180	EF-12.180.31	EF-12.180.36					
	250	EF-12.250.31	EF-12.250.36					
	350	EF-12.350.31	EF-12.350.36					

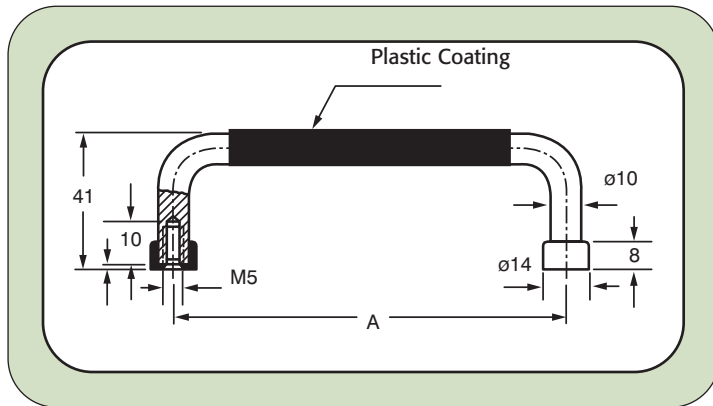
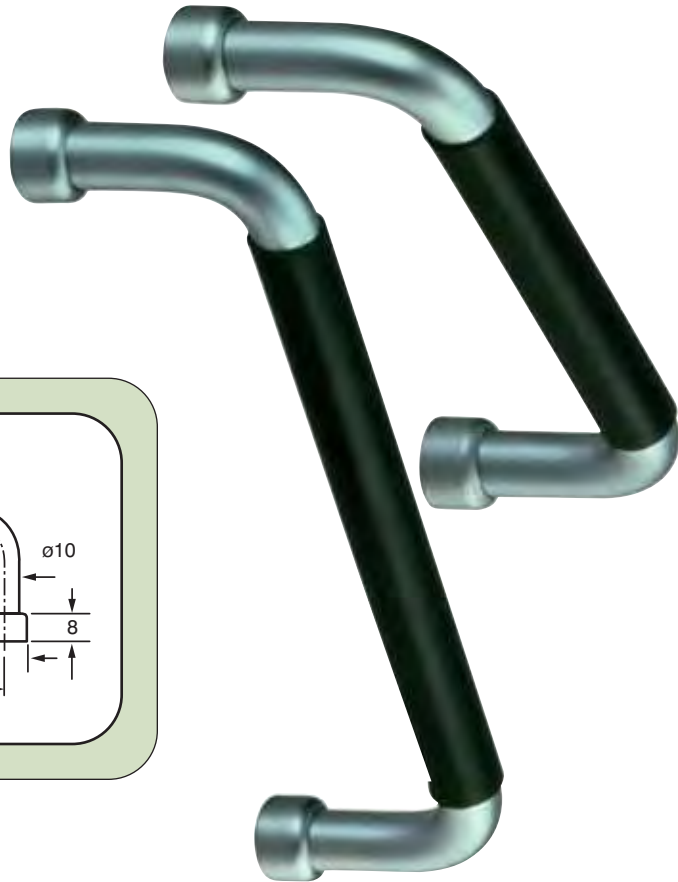
## Wide Version

B	A	Version A	Version B	M	T	H	D	R
19.5	100	EF-19.100.31	EF-19.100.36	M6 x 10	12	45	10	24
	120	EF-19.120.31	EF-19.120.36					
	150	EF-19.150.31	EF-19.150.36					
	180	EF-19.180.31	EF-19.180.36					
	250	EF-19.250.31	EF-19.250.36					
	350	EF-19.350.31	EF-19.350.36					

All dimensions in metric

# Round Bar Steel SS Series

High quality handles for front panels and similar applications. Round steel bar, precision-ground and matte-gloss chrome plated surface. Handle arms have a smooth plastic covering. Includes matte-gloss, chrome plated brass end caps.

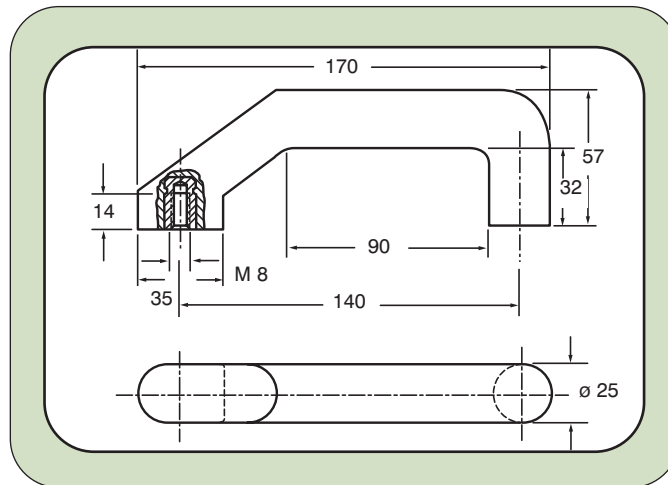


<b>A</b>	<b>Order No.</b>
55	SS-10.055.28
88	SS-10.088.28
100	SS-10.100.28
102	SS-10.102.28
115	SS-10.115.28
120	SS-10.120.28
136	SS-10.136.28
180	SS-10.180.28
200	SS-10.200.28
235	SS-10.235.28
250	SS-10.250.28

All dimensions in metric

# Plastic BD Series

Heavy duty industrial handle in solid plastic. Phenolic, black, brass-threaded insert. Deburred and polished to a high gloss finish.



**Order No.**

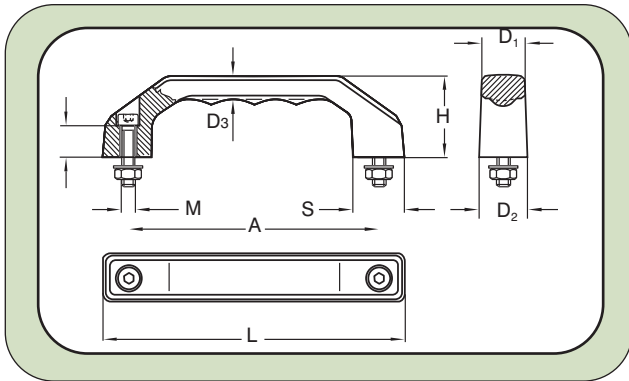
BD-25.140.84

All dimensions in metric

# Plastic RG Series

Modern industrial design for the highest demands. Extremely resistant to torsion and easy to grip.

Glass bead reinforced, nylon, matte black finish or orange satin finish. Includes black oxide, hexagon head cap screws with hexagon sockets DIN 912, zinc plated nuts DIN 934, and washers DIN 125. Available with stainless steel screws, nuts, and washers for wet areas. Also available without screws.



A	Color	Standard Order No.	Stainless Steel Hardware Order No.	Without Screws Order No.	M	T	L	H	D1	D2	D3	S
100	Black Orange	RG-1S.100.84 RG-1S.100.09	RG-1N.100.84 RG-1N.100.09	RG-1P.100.84 RG-1P.100.09	M 5 x 22	13	122	33	17	19	8.5	20
120	Black Orange	RG-1S.120.84 RG-1S.120.09	RG-1N.120.84 RG-1N.120.09	RG-1P.120.84 RG-1P.120.09	M 6 x 25	15	146	39	20.5	23	10.5	24
140	Black Orange	RG-1S.140.84 RG-1S.140.09	RG-1N.140.84 RG-1N.140.09	RG-1P.140.84 RG-1P.140.09	M 8 x 30	16	170	45	24	27	12	28
160	Black Orange	RG-1S.160.84 RG-1S.160.09	RG-1N.160.84 RG-1N.160.09	RG-1P.160.84 RG-1P.160.09	M 8 x 35	20	194	52	27.5	31	13.5	32
180	Black Orange	RG-1S.180.84 RG-1S.180.09	RG-1N.180.84 RG-1N.180.09	RG-1P.180.84 RG-1P.180.09	M 10 x 40	20	218	58	31	35	15.5	36

All dimensions in metric



# Handle Series GS



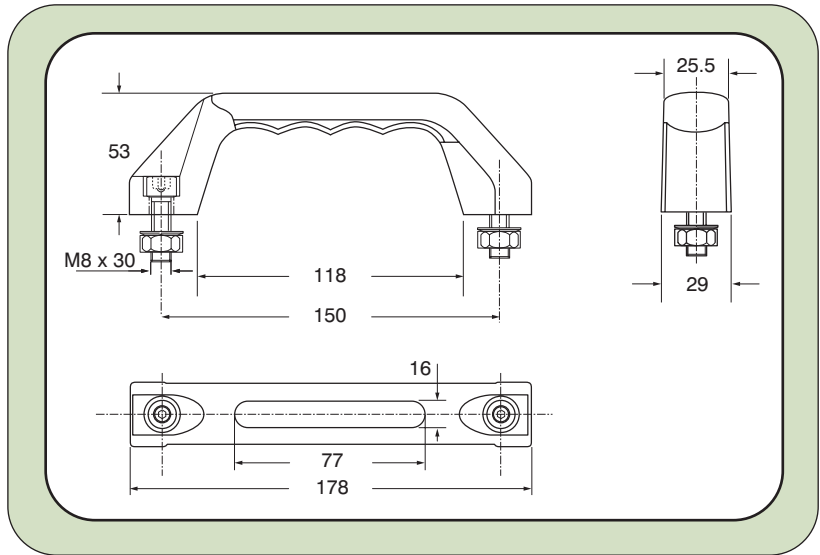
## Handle with Soft Inner Surface

Heavy-duty polyamide handle offering excellent carrying and gripping comfort thanks to its soft inner surface.

**MATERIAL:** Hard component made of heavy-duty thermoplastic PA 6, reinforced with glass beads, matte black with a fine grain structure. Soft component made of SEBS, basalt grey RAL 7012. Hard component and soft component are available in all RAL colors as requested.

**SCOPE OF SUPPLY:** Including black galvanized cheese head screws with hexagon sockets DIN 912 and galvanized nuts DIN 934 with washers DIN 125.

For wet areas, use screws, nuts and washers in stainless steel (material number 1,4301). Also available without screws.



**Standard  
Order No.**

GS-OS.150.7012

**With Stainless Steel Hardware  
Order No.**

GS-ON.150.7012

**Without Screws  
Order No.**

GS-OP.150.7012

All dimensions in metric

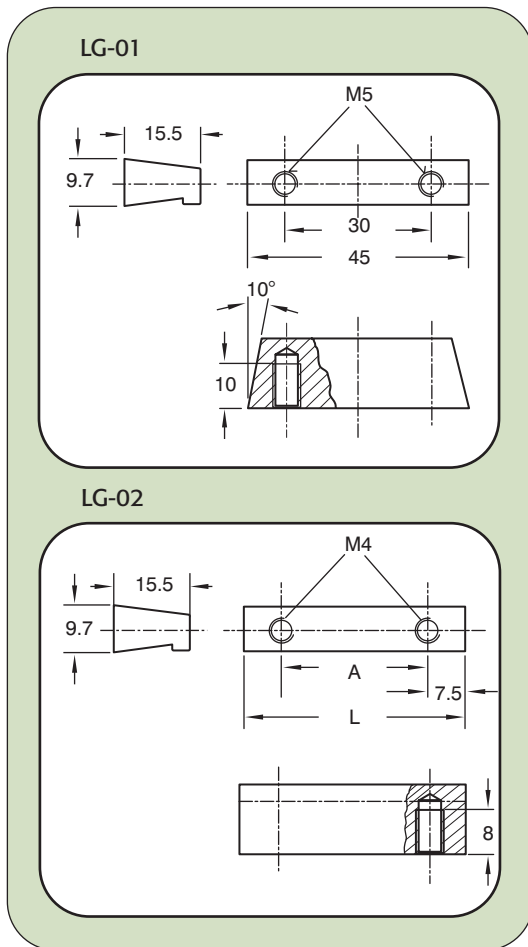
# Ledge Handles LG

**MATERIAL:** Profiled aluminum AIMgSi 0.5.

**SURFACE FINISH:** Vibration-ground and anodized with a matte finish in natural or black color.

Any other handle lengths available on request.

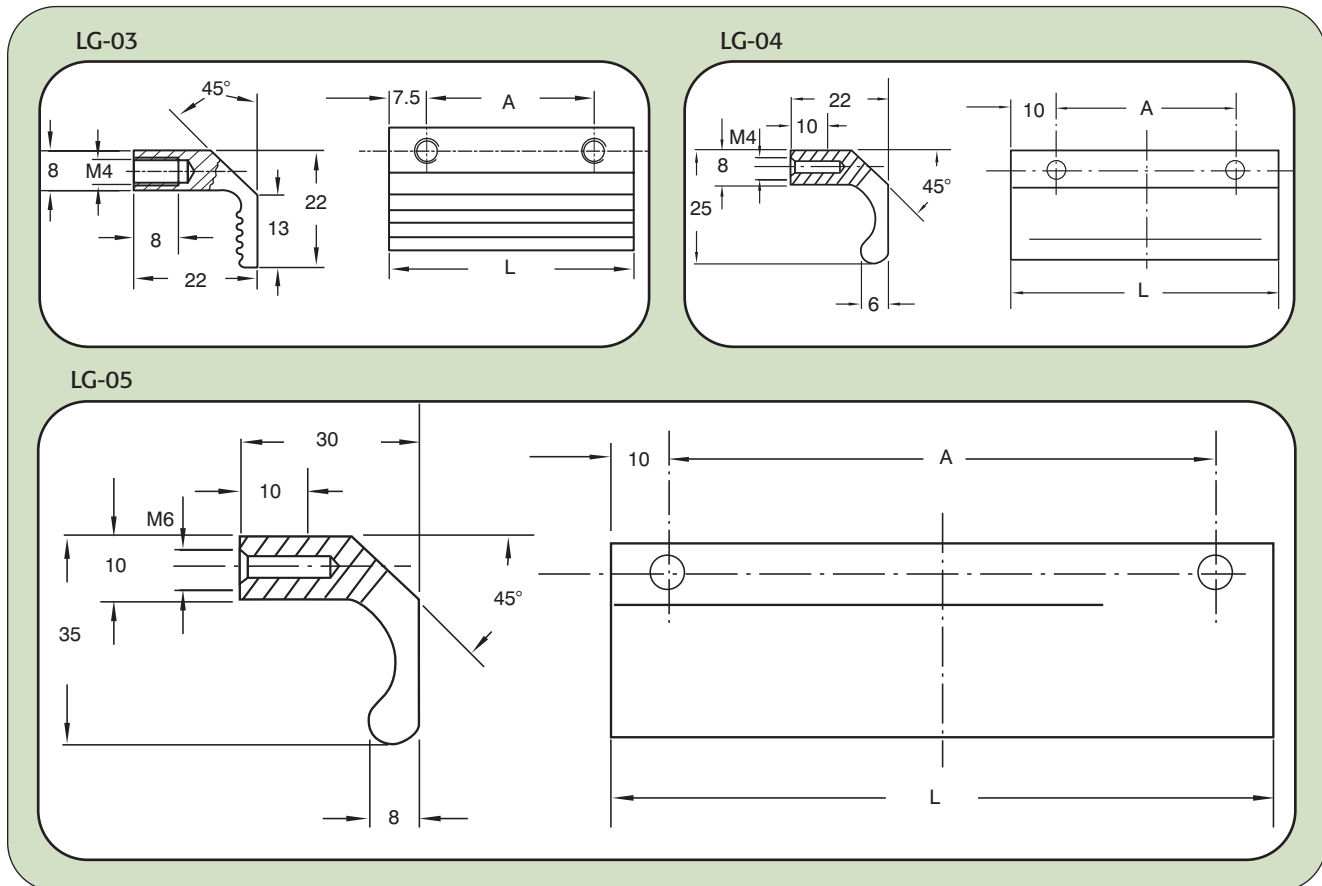
Custom colors available in accordance with terms of delivery.



A	L	LG-01		LG-02		LG-03	
		Natural Order No.	Black Order No.	Natural Order No.	Black Order No.	Natural Order No.	Black Order No.
30	45	LG-01.030.01	LG-01.030.04	LG-02.030.01	LG-02.030.04	LG-03.030.01	LG-03.030.04
45	60	-	-	LG-02.045.01	LG-02.045.04	LG-03.045.01	LG-03.045.04
70	85	-	-	LG-02.070.01	LG-02.070.04	LG-03.070.01	LG-03.070.04
90	105	-	-	LG-02.090.01	LG-02.090.04	LG-03.090.01	LG-03.090.04
105	120	-	-	LG-02.105.01	LG-02.105.04	LG-03.105.01	LG-03.105.04
Profile Material, 1m				LG-02.001.01	LG-02.001.04	LG-03.001.01	LG-03.001.04

All dimensions in metric

# Ledge Handles LG



A	L	LG-04			LG-05		
		Natural Order No.	Black Order No.	Titanium Order No.	Natural Order No.	Black Order No.	Titanium Order No.
30	50	LG-04.030.01	LG-04.030.04	LG-04.030.05	-	-	-
45	65	LG-04.045.01	LG-04.045.04	LG-04.045.05	-	-	-
64	84	LG-04.064.01	LG-04.064.04	LG-04.064.05	LG-05.064.01	LG-05.064.04	LG-05.064.05
70	90	LG-04.070.01	LG-04.070.04	LG-04.070.05	LG-05.070.01	LG-05.070.04	LG-05.070.05
80	100	LG-04.080.01	LG-04.080.04	LG-04.080.05	LG-05.080.01	LG-05.080.04	LG-05.080.05
90	110	LG-04.090.01	LG-04.090.04	LG-04.090.05	LG-05.090.01	LG-05.090.04	LG-05.090.05
105	125	-	-	-	LG-05.105.01	LG-05.105.04	LG-05.105.05
Profile Material, 1m		LG-04.001.01	LG-04.001.04	-	LG-05.001.01	LG-05.001.04	-

All dimensions in metric

# Multipurpose F Series

Universal ledge handles for sectional front panels in grid scale  
5.08 mm = TE (unit of grid division).

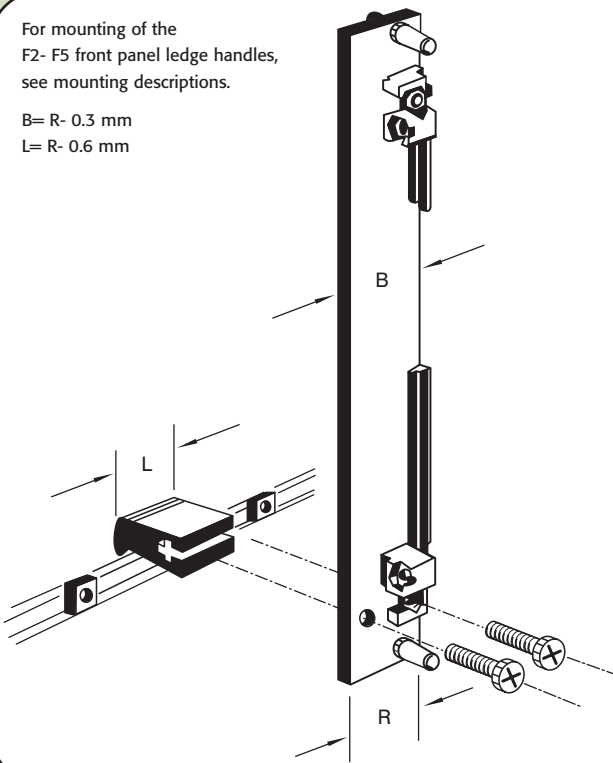
Profiled aluminum alloy with a vibration-ground, anodized matte finish in natural or black. All types of front panel handle strips F2-F5 have a cross slot for M2, 5 suitable for screw heads in accordance with DIN 933 or nuts as per DIN 935, 562, and 934 to suit the standard angular fixture for cards.

The finished cut of the front panel width "B" is normally approximately 0.3 mm narrower (by DIN recommendation 0.34) than the grid width "R".

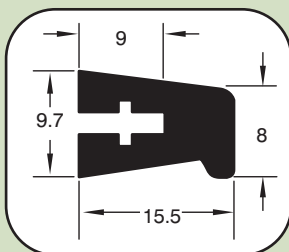
## F2- F5

For mounting of the F2- F5 front panel ledge handles, see mounting descriptions.

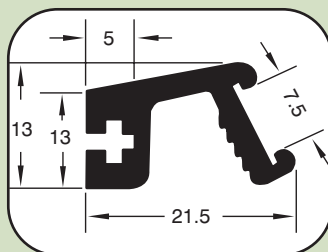
B= R- 0.3 mm  
L= R- 0.6 mm



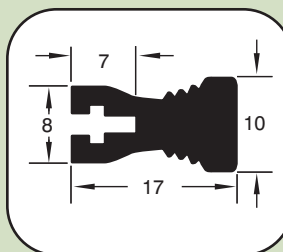
## TYPE F2



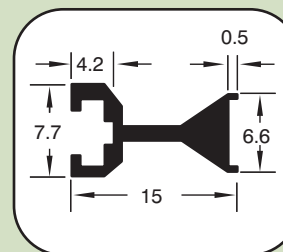
## TYPE F3



## TYPE F4



## TYPE F5



# Multipurpose F Series

<b>Grid Width R</b>	<b>Handle Length L</b>	<b>Anodizing Color</b>	<b>Type F2 Order No.</b>	<b>Type F3 Order No.</b>	<b>Type F4 Order No.</b>	<b>Type F5 Order No.</b>
15.24	14.6	natural black	F2-03.014.01 F2-03.014.04	F3-03.014.01 F3-03.014.04	F4-03.014.01 F4-03.014.04	F5-03.014.01 F5-03.014.04
20.32	19.7	natural black	F2-04.019.01 F2-04.019.04	F3-04.019.01 F3-04.019.04	F4-04.019.01 F4-04.019.04	F5-04.019.01 F5-04.019.04
25.40	24.8	natural black	F2-05.024.01 F2-05.024.04	F3-05.024.01 F3-05.024.04	F4-05.024.01 F4-05.024.04	F5-05.024.01 F5-05.024.04
30.48	29.9	natural black	F2-06.029.01 F2-06.029.04	F3-06.029.01 F3-06.029.04	F4-06.029.01 F4-06.029.04	F5-06.029.01 F5-06.029.04
40.64	40.0	natural black	F2-08.040.01 F2-08.040.04	F3-08.040.01 F3-08.040.04	F4-08.040.01 F4-08.040.04	F5-08.040.01 F5-08.040.04
60.96	60.3	natural black	F2-12.060.01 F2-12.060.04	F3-12.060.01 F3-12.060.04	F4-12.060.01 F4-12.060.04	F5-12.060.01 F5-12.060.04
71.12	70.5	natural black	F2-14.070.01 F2-14.070.04	F3-14.070.01 F3-14.070.04	F4-14.070.01 F4-14.070.04	F5-14.070.01 F5-14.070.04
101.60	101.0	natural black	F2-20.101.01 F2-20.101.04	F3-20.101.01 F3-20.101.04	F4-20.101.01 F4-20.101.04	F5-20.101.01 F5-20.101.04
213.36	212.6	natural black	F2-42.212.01 F2-42.212.04	F3-42.212.01 F3-42.212.04	F4-42.212.01 F4-42.212.04	F5-42.212.01 F5-42.212.04
304.80	304.1	natural black	F2-60.304.01 F2-60.304.04	F3-60.304.01 F3-60.304.04	F4-60.304.01 F4-60.304.04	F5-60.304.01 F5-60.304.04
426.72	426.0	natural black	F2-84.426.01 F2-84.426.04	F3-84.426.01 F3-84.426.04	F4-84.426.01 F4-84.426.04	F5-84.426.01 F5-84.426.04
Ledge profile, 1m		natural black	F2-01.000.01 F2-01.000.04	F3-01.000.01 F3-01.000.04	F4-01.000.01 F4-01.000.04	F5-01.000.01 F5-01.000.04

<b>White Lettering Strip</b>		<b>Transparent Strip</b>	
<b>Order No.</b>	<b>Strips per Pack</b>	<b>Order No.</b>	<b>Strips per Pack</b>
BS-03.014.91	325	TS-03.014.80	100
BS-04.019.91	250	TS-04.019.80	100
BS-05.024.91	200	TS-05.024.80	100
BS-06.029.91	150	TS-06.029.80	100
BS-08.040.91	125	TS-08.040.80	100
BS-00.500.91	10	TS-00.500.80	10

	<b>Order No.</b>
Square nuts for handle ledges F2-F5 (special width) black galvanized, pack of 100 each	MV-25.000.26

All dimensions in metric

# Multipurpose RS Series

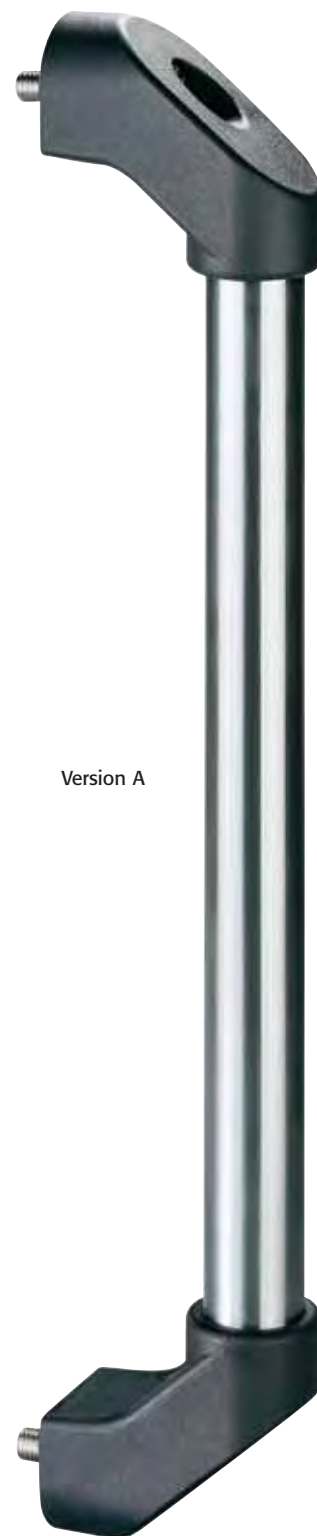
Variable handle series design in two model dimensions for machine and installation construction; particularly suitable for wide spacing between screw-on positions.

Handle shanks made of glass bead reinforced, nylon 6, black, semi-matte with a satin finish. Connecting tubes made of aluminum.

The handle shank RS-20 is provided with four clamping bars and the handle shank RS-30 with two triangular PVC profiles inside of the handle shank to prevent the tube from spinning.

Available in three versions: Version A is a connecting tube ground and anodized in natural; Version B is a connecting tube with a grooved plastic cover; and Version C is a connecting tube black powder-coated with a satin finish.

RS-20 includes black galvanized hexagon socket head cap screws M8 x 30 DIN 912, galvanized nuts DIN 934, and washers DIN 125. RS-30 also includes screws M10 x 45.



Version A

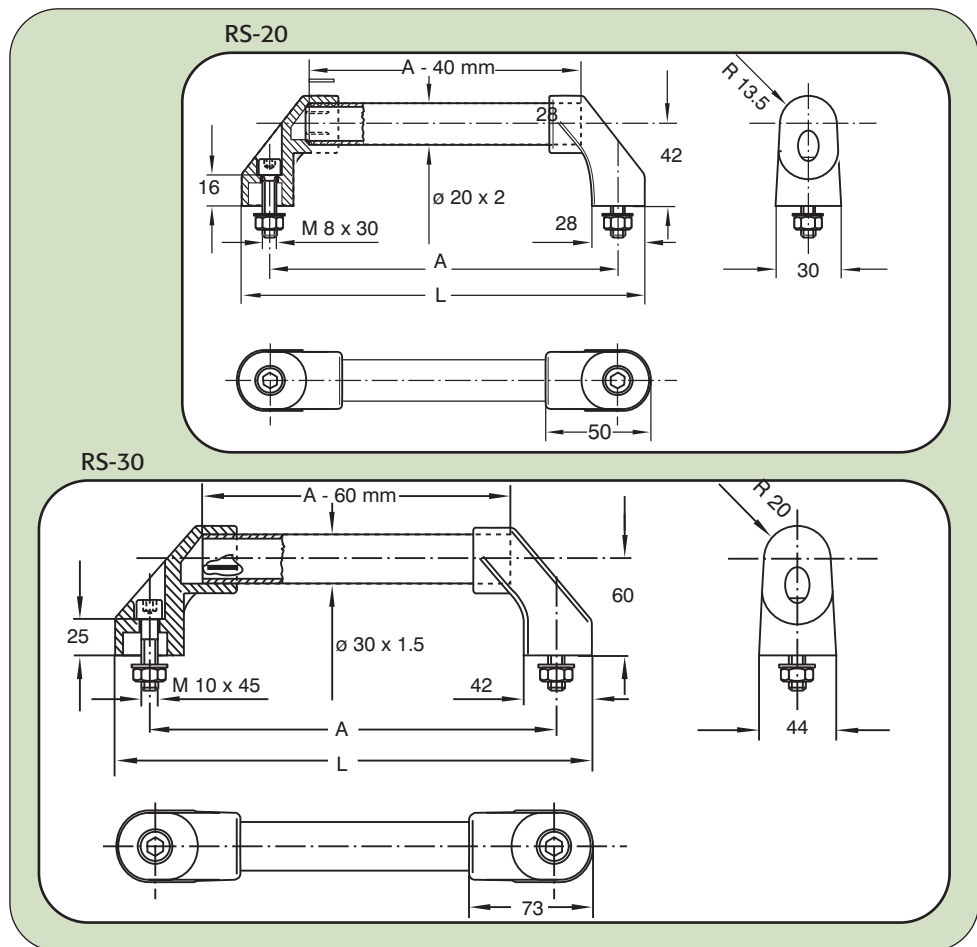
Version B



Version C



# Multipurpose RS Series



## Single Components Item

	Type RS-20 Order No.	Type RS-30 Order No.
Handle shank, 1 piece, with mounting material	RS-20.000.84	RS-30.000.84
Handle shank, 1 piece, without mounting material	RS-20.0WS.84	RS-30.0WS.84
Connecting tube, 1m, Version A	RS-20.001.01	RS-30.001.01

A	Type RS-20				Type RS-30			
	Version A Order No.	Version B Order No.	Version C Order No.	L	Version A Order No.	Version B Order No.	Version C Order No.	L
180	RS-20.180.62	RS-20.180.63	RS-20.180.64	210	-	-	-	-
200	RS-20.200.62	RS-20.200.63	RS-20.200.64	230	-	-	-	-
250	RS-20.250.62	RS-20.250.63	RS-20.250.64	280	RS-30.250.62	RS-30.250.63	RS-30.250.64	294
300	RS-20.300.62	RS-20.300.63	RS-20.300.64	330	RS-30.300.62	RS-30.300.63	RS-30.300.64	344
350	RS-20.350.62	RS-20.350.63	RS-20.350.64	380	RS-30.350.62	RS-30.350.63	RS-30.350.64	394
400	RS-20.400.62	RS-20.400.63	RS-20.400.64	430	RS-30.400.62	RS-30.400.63	RS-30.400.64	444
500	RS-20.500.62	RS-20.500.63	RS-20.500.64	530	RS-30.500.62	RS-30.500.63	RS-30.500.64	544
600	RS-20.600.62	RS-20.600.63	RS-20.600.64	630	RS-30.600.62	RS-30.600.63	RS-30.600.64	644

All dimensions in metric

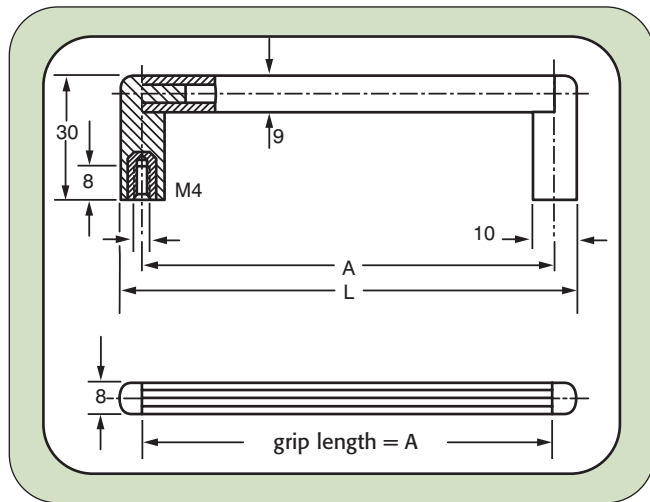


# Multipurpose UG-01 Series

The common characteristic of the UG Series handles is their universal usability. They are assembled by fitting the grip ledge to the two elbow side sections. Depending on the degree of stress they must withstand, the elbow sections can be selected with or without steel reinforcement.

Grip ledge made of aluminum tubing; handle shanks made of glass bead reinforced, black nylon, semi-matte. The grip ledge is anodized with a matte finish in natural or black. The UG-02 has a brass threaded insert, stress resistance 200 N per handle.

Includes glossy nickel-plated hexagon head cap screws with hexagon socket M5 x 45 DIN 912 and galvanized, self-locking ratchet nuts. Supplied unassembled.



## Single Components

## Order No.

Handle Shank	UG-01.000.84
Grip Ledge, Natural	UG-01.001.01
Grip Ledge, Black	UG-01.001.04

A	L	Grip Ledge Natural Order No.	Grip Ledge Black Order No.
32	42	UG-01.032.01	UG-01.032.04
55	65	UG-01.055.01	UG-01.055.04
62	72	UG-01.062.01	UG-01.062.04
86	96	UG-01.086.01	UG-01.086.04
88	98	UG-01.088.01	UG-01.088.04
90	100	UG-01.090.01	UG-01.090.04
120	130	UG-01.120.01	UG-01.120.04
134	144	UG-01.134.01	UG-01.134.04

All dimensions in metric

# UG-02, UG-03, & UG-04 Series

For small appliances, front panels, and similar applications. Ledge and shank are matchable as fitting components.

The UG-02 has a brass threaded insert with a stress resistance of 200 N per handle. Grip ledge made of aluminum tubing; handle shanks made of glass bead reinforced, black nylon, semi-matte. The grip ledge is anodized with a matte finish in natural or black. Includes glossy nickel-plated hexagon head cap screws with hexagon socket M5 x 45 DIN 912 and galvanized, self-locking ratchet nuts. Supplied unassembled.

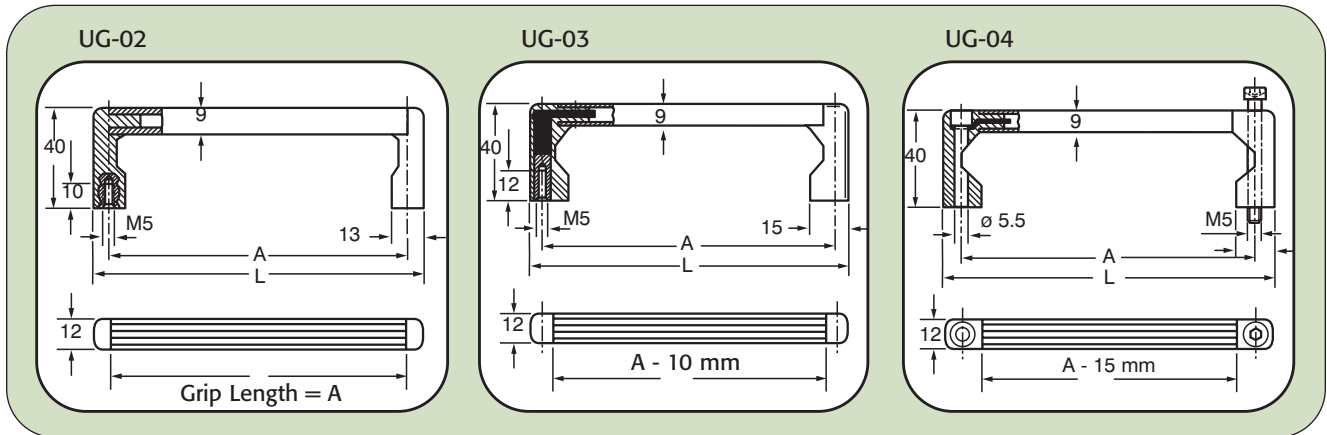
The UG-03 has a galvanized full steel core and a stress resistance of 200 N per handle. Handle ledge made of aluminum special section tube, matte finish, anodized in natural or black. Handle shank of glass bead reinforced nylon with a satin finish and brass threaded insert.

The UG-04 has a screw-attachment from in front, steel plate reinforcement and stress resistance of 500 N per handle. Scope of supply includes glossy nickel-plated cheese head screws with hexagon socket M 5 x 45 DIN 912 and galvanized, self-locking ratchet nuts.

Includes glossy, nickel-plated hexagon head cap screws with hexagon socket M5 x 45 DIN 912 and galvanized, self-locking ratchet nuts. Supplied unassembled. Other handle lengths available upon request.



# UG-02, UG-03, & UG-04 Series



## Single Components

## Order No.

Handle shank, 1 piece

UG-02.000.84

UG-03.000.84

UG-04.000.84

Grip ledge, 1m, natural

UG-RS-001.01

Grip ledge, 1m, black

UG-RS-001.04

A	Color of Grip Edge	Type UG-02 Order No.	L	Type UG-03 Order No.	L	Type UG-04 Order No.	L
55	Natural	UG-02.055.01	69	UG-03.055.01	65	UG-04.055.01	70
	Black	UG-02.055.04	69	UG-03.055.04	65	UG-04.055.04	70
88	Natural	UG-02.088.01	102	UG-03.088.01	98	UG-04.088.01	103
	Black	UG-02.088.04	102	UG-03.088.04	98	UG-04.088.04	103
100	Natural	UG-02.100.01	114	UG-03.100.01	110	UG-04.100.01	115
	Black	UG-02.100.04	114	UG-03.100.04	110	UG-04.100.04	115
120	Natural	UG-02.120.01	134	UG-03.120.01	130	UG-04.120.01	135
	Black	UG-02.120.04	134	UG-03.120.04	130	UG-04.120.04	135
180	Natural	UG-02.180.01	194	UG-03.180.01	190	UG-04.180.01	195
	Black	UG-02.180.04	194	UG-03.180.04	190	UG-04.180.04	195
235	Natural	UG-02.235.01	249	UG-03.235.01	245	UG-04.235.01	250
	Black	UG-02.235.04	249	UG-03.235.04	245	UG-04.235.04	250
29	Natural	UG-02.029.01	43	-	-	-	-
	Black	UG-02.029.04	43	-	-	-	-
73.5	Natural	UG-02.073.01	87.5	UG-03.077.01	77.5	UG-04.072.01	72.5
	Black	UG-02.073.04	87.5	UG-03.077.04	77.5	UG-04.072.04	72.5
118	Natural	UG-02.118.01	132	UG-03.122.01	122	UG-04.117.01	117
	Black	UG-02.118.04	132	UG-03.122.04	122	UG-04.117.04	117
162.5	Natural	UG-02.162.01	176.5	UG-03.166.01	166.5	UG-04.161.01	161.5
	Black	UG-02.162.04	176.5	UG-03.166.04	166.5	UG-04.161.04	161.5

All dimensions in metric

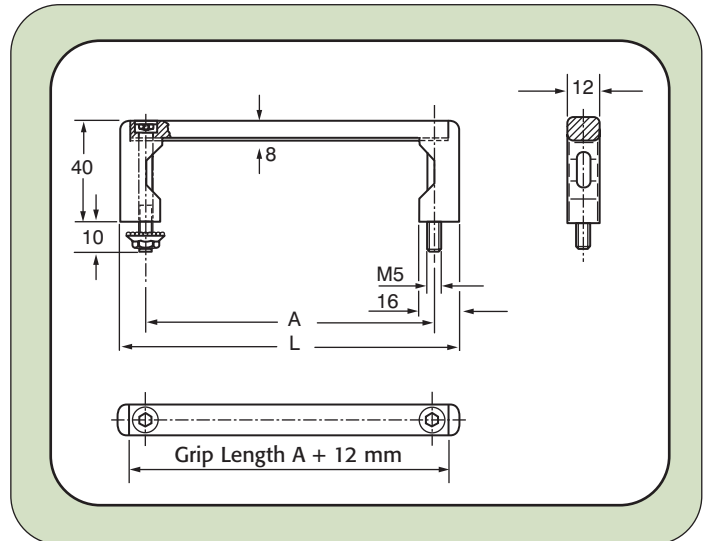
# Multipurpose UG-05 Series

Bolt-together handle type for any hole spacing required.

Solid aluminum handle cross rail made of section aluminum. Handle arms made of glass bead reinforced nylon with black, semi-matte finish and screw retaining facilities. Assembled by bolting from the top through the cross rail, providing a load capacity of up to 1,000 N per handle.

Grip ledge anodized in natural or black with a matte finish. U-shaped grips also available in a silver metallic finish.

Includes nickel-plated hexagon head cap screws with hexagon sockets M5 x 45 to DIN 7984 or DIN 6912 and zinc plated, self-locking nuts.



<b>A</b>	<b>L</b>	<b>Version A Order No.</b>	<b>Version B Order No.</b>
25	45	UG-05.025.01	UG-05.025.04
55	75	UG-05.055.01	UG-05.055.04
88	108	UG-05.088.01	UG-05.088.04
100	120	UG-05.100.01	UG-05.100.04
120	140	UG-05.120.01	UG-05.120.04
180	200	UG-05.180.01	UG-05.180.04
235	255	UG-05.235.01	UG-05.235.04

All dimensions in metric

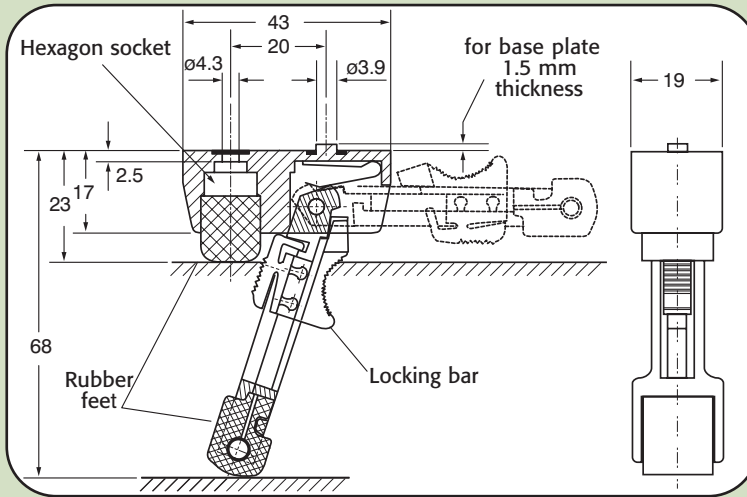
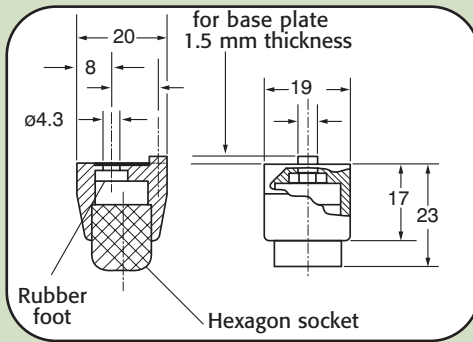
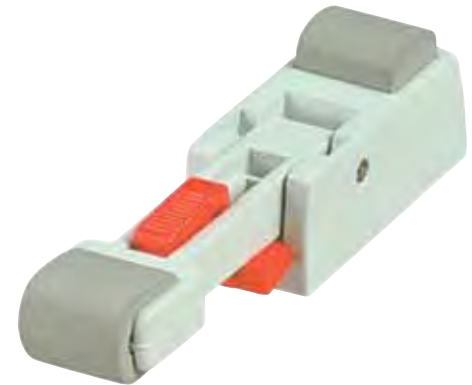
# Extension Legs GZ

GZ extension legs are constructed for high stress, where safety (from collapse, among other concerns) is of the utmost importance.

**MATERIAL:** Metal components of die-cast zinc. Locking bar of polyamide. Rubber feet.

**STANDARD VERSION:** Base and frame light grey (RAL 7035) or black satin finish enamel.

**DESIGN ADVANTAGES:** Overturn stop provided by use of Allen screws or nuts for installation (screws and nuts M4 according to DIN standards 933 and 934). Extension legs are self-locking in both the extended and collapsed positions. Extension lock by means of a plastic bar prevents leg collapse due to accidental knocks. Slide-proof rubber feet guarantee reliable stationary position of the instrument, even on slippery floors, in both the extended and collapsed positions.



	<b>Light Grey Order No.</b>	<b>Black Order No.</b>
Leg with Lift Lever	GZ-23.068.52	GZ-23.068.44
Leg without Lift Lever	GS-23.000.52	GS-23.000.44

All dimensions in metric

# Casing Feet GK

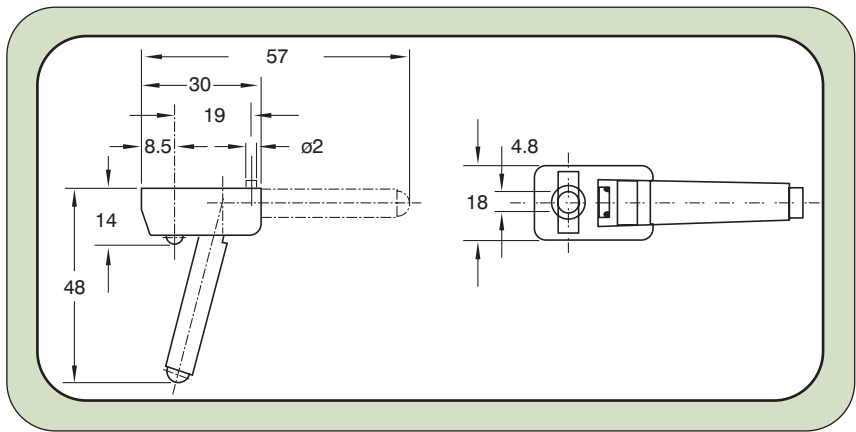


**MATERIAL:** Glass-fiber-reinforced polyamide, black satin finish.

**STANDARD VERSION:** Base and frame light grey (RAL 7035) or black satin finish enamel.

**CONSTRUCTION:** Extension leg with snap-in lock in both positions. Slide-proof rubber feet for safety, even in extended position. 4.8 ø thru bore for screw attachment.

**SUPPLY UNIT:** Supplied in sets (see table), including sheet metal screws with oval cross-slotted head. Eight 3.0 x 9.5 DIN 7981.



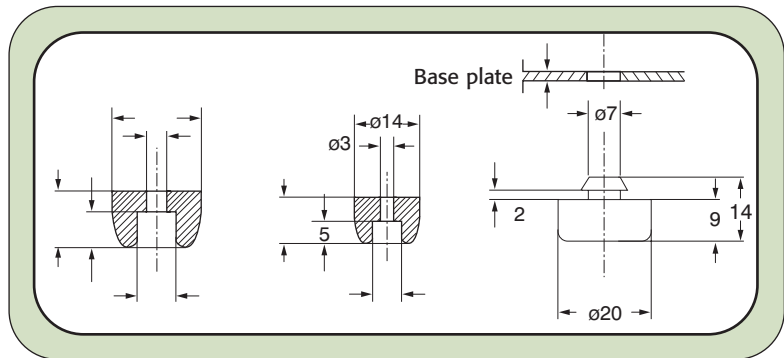
Supply Unit	Order No.
Set: 2 pcs. with lift lever, 2 pcs. without lift lever, incl. screws	GK-14.048.84S
Set: 4 pcs. without tilt bracket, incl. screws	GK-14.000.84S

All dimensions in metric

# Casing Feet GG

**MATERIAL:** Type A PVC black, type B and C natural black rubber.

**MOUNTING REMARKS:** Type A and B for screw assembly; Type C as a pluggable foot for base plates of 2.0 - 3.0 mm thickness.



	Type A	Type B	Type C
Order No.	GG-20.012.84	GG-14.010.84	GG-20.009.84

All dimensions in metric



# Functional Handles FG

Anywhere that locks with dead locks are used, the FG handle series provides the ideal combination of ergonomics, productivity, and safety. With the FG handle series, the user can carry out switching functions exactly where they are required, namely on the handle used to open and close the device.

All models in this handle series have been designed with the same basic principles. A button for unlocking the dead lock is integrated into the handle. The button is located on the front of the handle; two LEDs indicate whether the door is locked or released. When the green LED is on, the operator simply uses his thumb to operate the release button and can open the safety door at the same time with one hand. As an option, a start button (for switching the machine on) and/or an emergency stop button can be integrated into the functional handle.

For double doors, the handles are also available without function elements as counter-handles.

**MATERIAL:** Handle shank made from high-strength polyamide, glass ball reinforced, connecting piece made from turned polyoxymethylene (POM).

**DESIGN:** Black, semi-matte, with fine structure.

**PROTECTION CLASS:** Conforms to IP 65 with the coupling attached.

**TYPE FG1:** Release button (change-over contact), red and green LED; 8 pole, coupling with 5 m or 10 m ready-made cable.

**TYPE FG2:** As FG1, but with the start button on top.

**TYPE FG3:** As FG1, with emergency stop button, single channel with one NC contact.

**TYPE FG4:** As FG3, with dual-channel emergency stop button, with two NC contacts.

**TYPE FG0:** Basic handle without function elements, as a counter-handle for double doors.



Activating the button will open the safety door. The two LEDs above this release button indicate to the operator whether the safety door is locked or released.



A start button with integrated LED for switching on the machine can be installed above the release button.



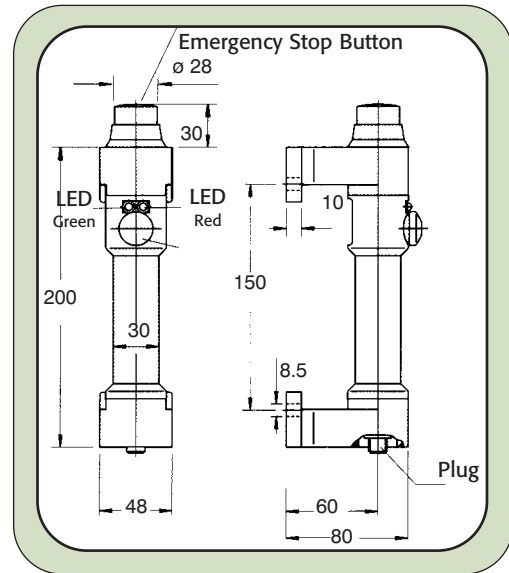
The operator can bring the entire machine to a standstill in the event of danger by using the optional emergency stop button. The machine is released by turning the red cap. The emergency stop button conforms to the requirements of EN 418.



For designs without an emergency stop button, the start button can also be fitted on top of the functional handle.



# Functional Handles FG



Type Description Order No.	Release Button	LEDs	FG2 Start Button FG3/4 Emergency Stop Button	Switching Voltage*	Operating Voltage LED	Connection Type	Connector Assignment
FG1-00.FGT.0W			—	24 V DC max. 30 V AC/ 36 V DC max. 1,5 A	24 V DC +/- 15%	8-pole, M 12 x 1	
FG2-00.FST.0W				24 V DC max. 30 V AC/ 36 V DC max. 1,5 A	24 V DC +/- 15%	8-pole, M 12 x 1	
FG3-NA.FGT.1W				24 V DC max. 30 V AC/ 36 V DC max. 1,5 A	24 V DC +/- 15%	8-pole, M 12 x 1	
FG4-NA.FGT.2W				24 V DC max. 30 V AC/ 36 V DC max. 1,5 A	24 V DC +/- 15%	12-pole, M 23 x 1	

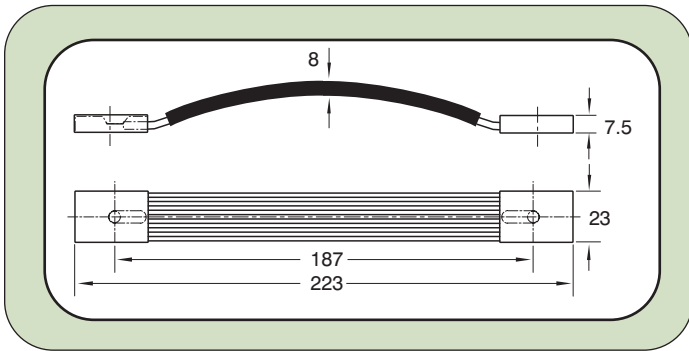
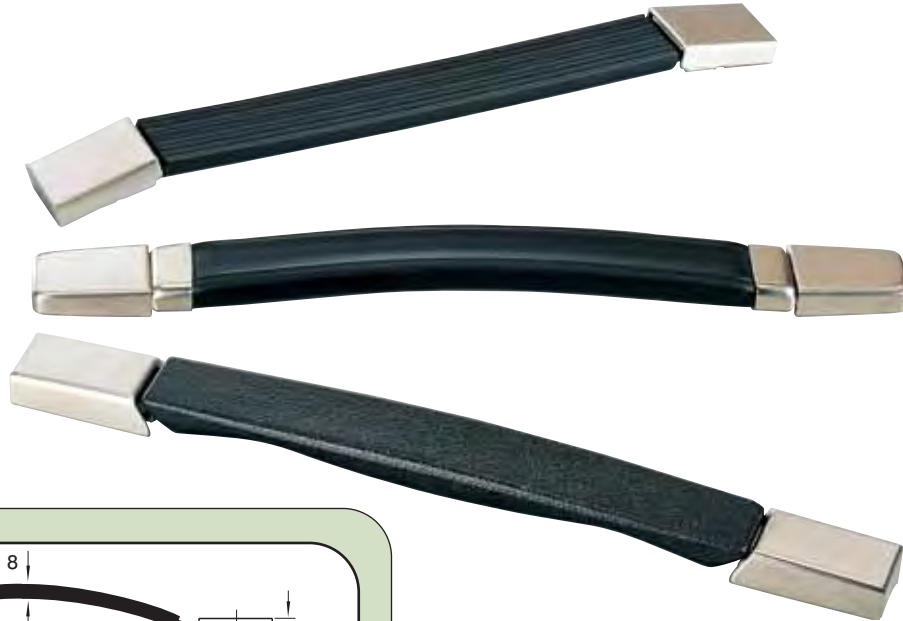
## Handle Accessories

Switching Function	Handle Order No.	5 m Cable, Welded to Coupling [8 pole, M 12 x 1] Order No.	10 m Cable Welded to Coupling [8 pole, M 12 x 1] Order No.	Coupling as Soldered Version No Cable Order No.
Release (1 change-over contact)	FG1-00-FGT-0W	FZ-KS.008.05	FZ-KS.008.10	—
Start (1 NC contact), Release (1 change-over contact)	FG2-00.FST.0W	FZ-KS.008.05	FZ-KS.008.10	—
Emergency Stop (1 NC contact), Release (1 change-over contact)	FG3-NA-FGT.1W	FZ-KS.008.05	FZ-KS.008.10	—
Emergency Stop (2 NC contacts), Release (1 change-over contact)	FG4-NA-FGT.2W	—	—	FZ-KL.012.00
Handle without function, counter-handle for double doors	FG0-00.150.00	—	—	—

All dimensions in metric

# Pull-Out Carrying Handles MA

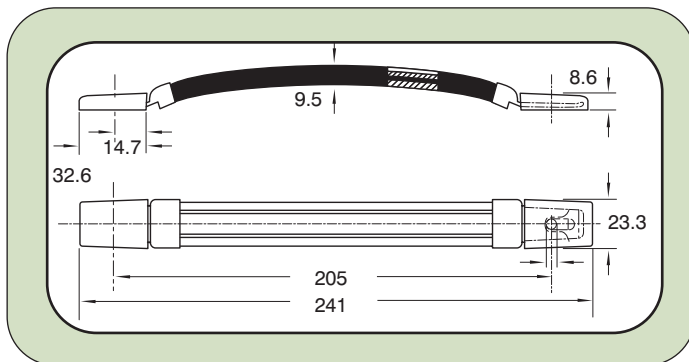
For instruments, cases, and similar applications. Black handles of soft plastic for ease of flexibility; type MA-23 has steel spring inside. Nickel-plated steel cover caps.



**Order No.**

For M4 countersunk screw DIN 963-964-966

MA-23.187.84

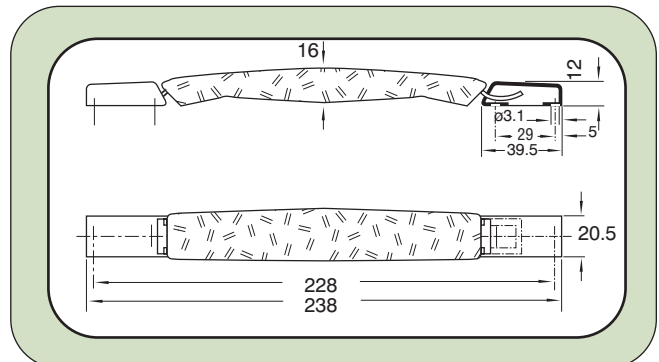


**Order No.**

For M4 countersunk screw DIN 963-964-966

MA-23.205.84

All dimensions in metric



**Order No.**

Fastening from below with sheet metal screw  
eight 3.0 DIN 7981

MA-20.228.84

# Handle Series RA and AE



**MATERIAL:**

Profile aluminum AlMgSi 0.5.

**SURFACE TREATMENT:**

Vibration-ground and powder-coated in RAL 9002 grey white.

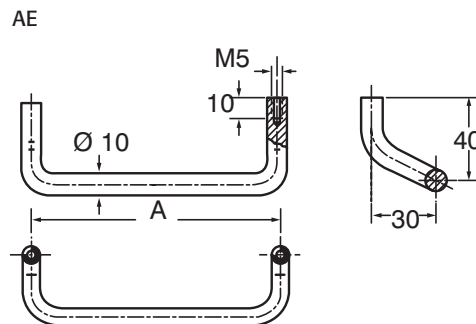
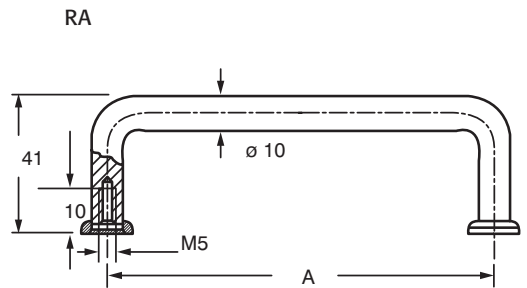
**SPECIAL COLOR VERSIONS:**

Other RAL shades available on request.

Type	A	Order no.
RA	55	RA-10.055.9002
	88	RA-10.088.9002
	100	RA-10.100.9002
	120	RA-10.120.9002
	180	RA-10.180.9002
	200	RA-10.200.9002
	235	RA-10.235.9002
	250	RA-10.250.9002

AE	86	AE-10.086.9002
	120	AE-10.120.9002
	180	AE-10.180.9002

All dimensions in metric.



# Handle Series M1 and M4

**MATERIAL:**

Round bar aluminum  
AlMgSi 0.5.

**SURFACE TREATMENT:**

Vibration-ground and  
powder-coated in  
RAL 9002 grey white.

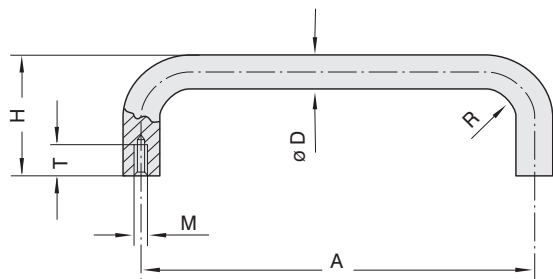
**SPECIAL COLOR**

**VERSIONS:**

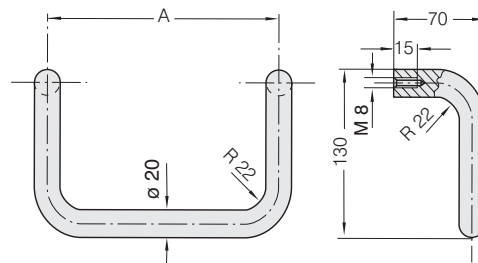
Other RAL shades available  
on request.



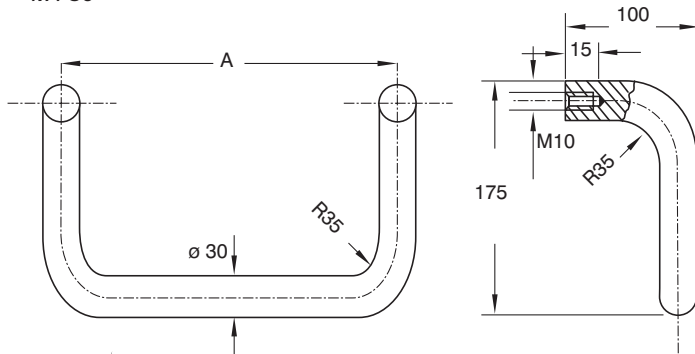
M1



M4-20

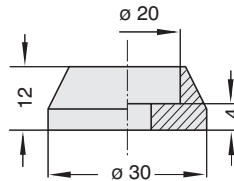


M4-30



# Handle Series M1 and M4

AL-cover plates for handle types M1-20 und M4-20



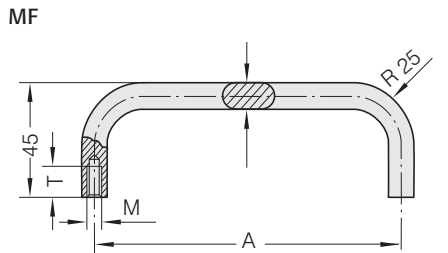
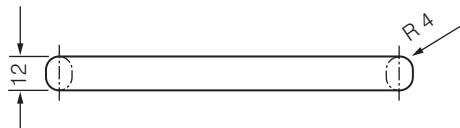
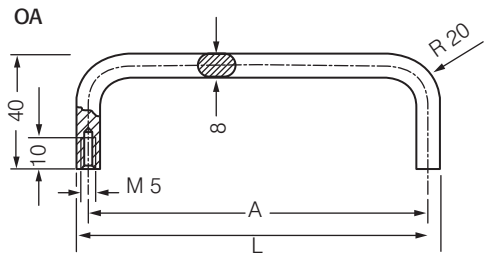
M1	A	Order no.	M	T	H	R
Ø 20	200	M1-20.R200.9002	8	15	70	22
	250	M1-20.R250.9002				
	300	M1-20.R300.9002				
	350	M1-20.R350.9002				
	400	M1-20.R400.9002				
	600	M1-20.R600.9002				
AL-cover plates		M1-20.000.9002	Pack of 2 pieces			
Ø 25	200	M1-25.R200.9002	8	15	85	28
	250	M1-25.R250.9002				
	300	M1-25.R300.9002				
	400	M1-25.R400.9002				
	600	M1-25.R600.9002				
Ø 30	300	M1-30.R300.9002	10	15	100	34
	400	M1-30.R400.9002				
	600	M1-30.R600.9002				
M4	A	Order no.				
Ø 20	200	M4-20.200.9002				
	250	M4-20.250.9002				
	300	M4-20.300.9002				
	350	M4-20.350.9002				
	400	M4-20.400.9002				
AL-cover plates		M1-20.000.9002	Pack of 2 pieces			
Ø 30	300	M4-30.300.9002				
	350	M4-30.350.9002				
	400	M4-30.400.9002				
	500	M4-30.500.9002				

# Handle Series OA and MF

**MATERIAL:**  
Flat-oval profiled aluminum  
AlMgSi 0.5.

**SURFACE TREATMENT:**  
Vibration-ground and  
powder-coated in  
RAL 9002 grey white.

**SPECIAL COLOR  
VERSIONS:**  
Other RAL shades available  
on request.



	<b>A</b>	<b>Order no.</b>	<b>M</b>	<b>T</b>
OA	55	OA-12.055.9002	-	-
	88	OA-12.088.9002	-	-
	100	OA-12.100.9002	-	-
	120	OA-12.120.9002	-	-
	180	OA-12.180.9002	-	-
	200	OA-12.200.9002	-	-
	235	OA-12.235.9002	-	-
	250	OA-12.250.9002	-	-

MF	120	MF-20.120.9002	5	10
	140	MF-20.140.9002		
	180	MF-20.180.9002		
	200	MF-20.200.9002		
	350	MF-20.350.9002	6	12

All dimensions in metric.

# Handle Series MO



**MATERIAL:**  
Oval profiled aluminum  
AlMgSi 0.5.

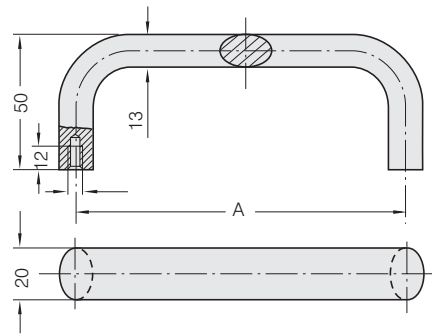
**SURFACE TREATMENT:**  
Vibration-ground and  
powder-coated in  
RAL 9002 grey white.

**SPECIAL COLOR  
VERSIONS:**  
Other RAL shades available  
on request.

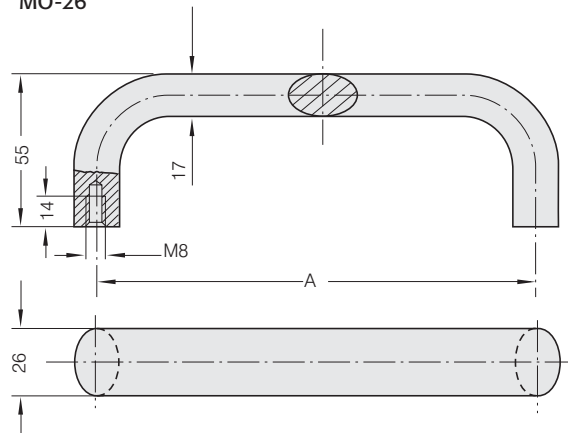
	<b>A</b>	<b>Order no.</b>
MO-20	100	MO-20.100.9002
	128	MO-20.128.9002
	160	MO-20.160.9002
MO-26	140	MO-26.140.9002
	160	MO-26.160.9002
	180	MO-26.180.9002
	192	MO-26.192.9002
	350	MO-26.350.9002

All dimensions in metric.

MO-20



MO-26





# Handle Series R1 and S1

**MATERIAL:**

Cut profiled aluminum  
AlMgSi 0.5.

**SURFACE TREATMENT:**

Vibration-ground and  
powder-coated in  
RAL 9002 grey white.

**SPECIAL COLOR**

**VERSIONS:**

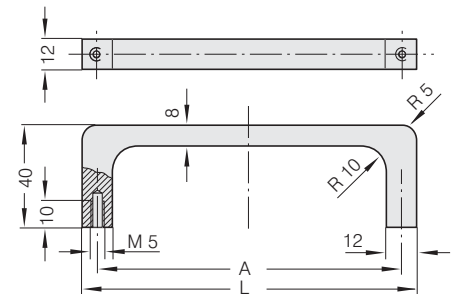
Other RAL shades  
available on request.



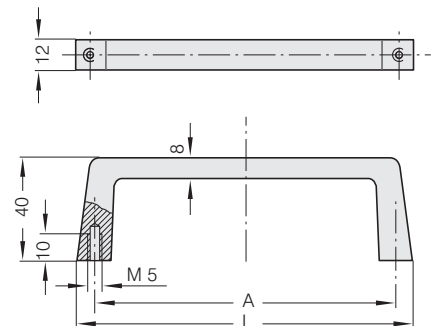
	<b>A</b>	<b>L</b>	<b>Order no.</b>
R1	55	67	R1-12.055.9002
	88	100	R1-12.088.9002
	120	132	R1-12.120.9002
	180	192	R1-12.180.9002
	235	247	R1-12.235.9002
S1	25	40	S1-12.025.9002
	55	69	S1-12.055.9002
	88	102	S1-12.088.9002
	120	134	S1-12.120.9002
	180	194	S1-12.180.9002
	235	249	S1-12.235.9002

All dimensions in metric.

R1



S1



# Handle Series AB and AG



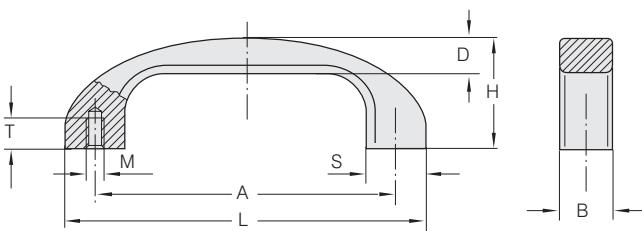
Solid aluminum handles in a modern industrial design.

**MATERIAL:**  
Profiled aluminum AlMgSi 0.5.

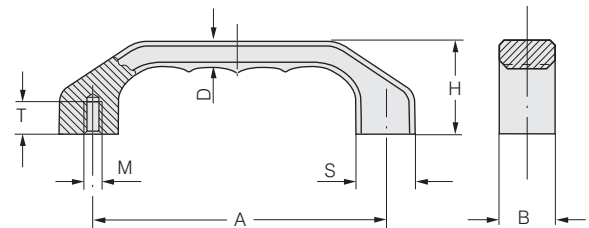
**SURFACE TREATMENT:**  
Vibration-ground and powder-coated in RAL 9002 grey white.

**SPECIAL COLOR VERSIONS:**  
Other RAL shades available on request

AB



AG



	<b>A</b>	<b>L</b>	<b>Order no.</b>	<b>M</b>	<b>T</b>	<b>H</b>	<b>B</b>	<b>D</b>	<b>S</b>
AB	120	144	AB-22.R120.9002	6	12	46	22	15	24
	140	168	AB-25.R140.9002	8	15	53	25	17	28
AG	120	146	AG-22.R120.9002	6	12	39	22	10.5	24
	140	170	AG-25.R140.9002	8	15	45	25	12	28
	160	194	AG-28.R160.9002	8	15	52	28	13.5	32

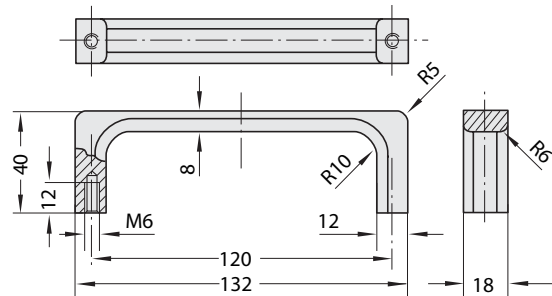
All dimensions in metric.

# Handle Series MG

**MATERIAL:**  
Profile aluminum  
AlMgSi 0.5.

**SURFACE TREATMENT:**  
Vibration-ground and  
powder-coated in  
RAL 9002 grey white.

**SPECIAL COLOR  
VERSIONS:**  
Other RAL shades  
available on request.



**Order no**

MG-02.120.9002

All dimensions in metric.

# Handle Series ET



## Stainless Steel Handle Series ET

The trumped-style form of the handle feet makes them easy to clean thoroughly. These types of handles are therefore particularly suitable for hygienic areas.

### MATERIAL:

Single components are made of round bar stainless steel, material 1.4305.

### VERSION A:

Surface vibration-ground with a semi-matte finish.

### VERSION B:

Surface vibration-ground, blasted and electropolished with a semi-matte finish.

### EXTENT OF SUPPLY:

Including stainless steel hexagon head screws DIN 933 and stainless steel washers DIN 925, material 1.4301

Handle types ET-10.E and ET-10.A screws M5x10,

Handle type ET-15.E screws M6 x 12.

### SPECIAL VERSIONS:

Other dimensions available on request.

### ET-10.E

D <sub>1</sub>	A	Version A	Version B	M	T	D <sub>2</sub>	H
		Order no.	Order no.				
Ø 10	100	ET-10.E100.31	ET-10.E100.36	5	10	20	45
	120	ET-10.E120.31	ET-10.E120.36				

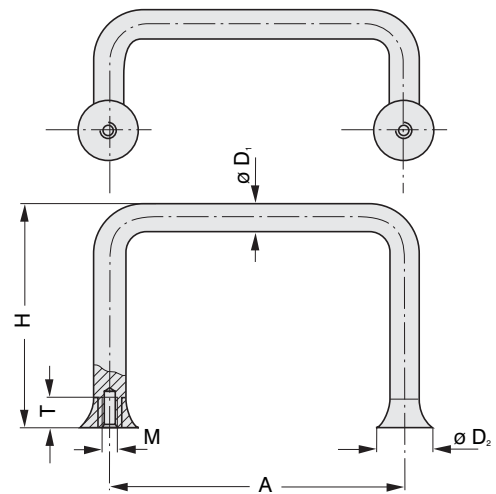
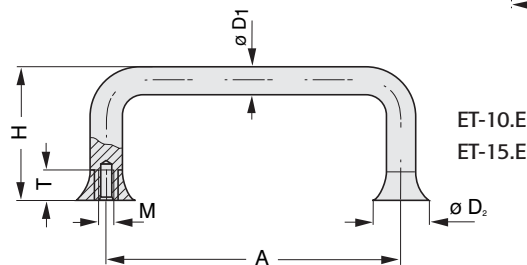
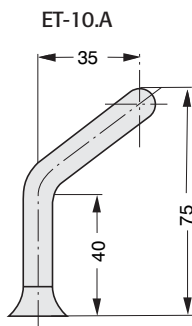
### ET-15.E

Ø 15	120	ET-15.E120.31	ET-15.E120.36	6	12	30	60
	140	ET-15.E140.31	ET-15.E140.36				
	200	ET-15.E200.31	ET-15.E200.36				

### ET-10.A

Ø 10	100	ET-10.A100.31	ET-10.A100.36	5	10	20	75
	120	ET-10.A120.31	ET-10.A120.36				

All dimensions in metric.



# Handle Series SG

## Tray Handle SG

The SG tray handle can be supplied in any length.

### MATERIAL AND SURFACE TREATMENT:

Handle tray made of aluminum section, varnished in RAL 9002 grey white. Side end caps made of PA6 in a similar RAL color shade.

### DESIGN ADVANTAGES:

Very simple installation. Does not require screws for metal thicknesses of 1-2.5 mm. Two rubber inserts guarantee tight and secure installation.

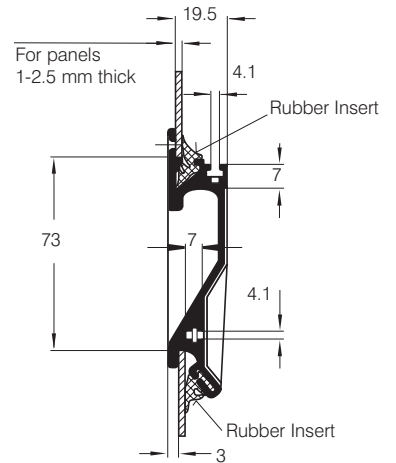
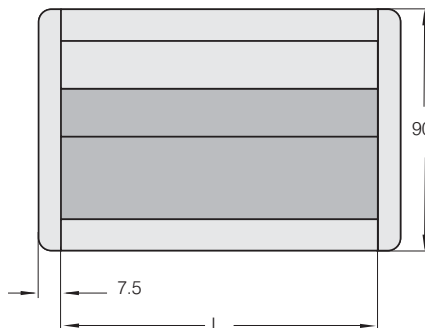
Two cross-slotted grooves for M 4-screws juxtaposed by 90° provide firm connection, or they may be used as mounting aids for installation elements. (For square nuts according to DIN standard S62).

### MOUNTING:

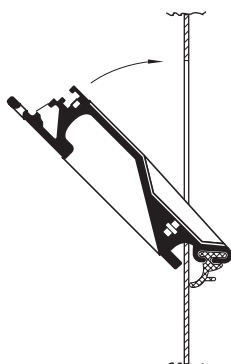
After insertion of the bottom rubber insert, the two end finials must be pushed on to the tray. Next the handle must be pressed over the lower edge of the mounting cutout at a 45° angle. Holding the handle against the housing panel, now the second rubber insert is pushed into the upper groove (see illustration below).

### CUSTOM OPTIONS:

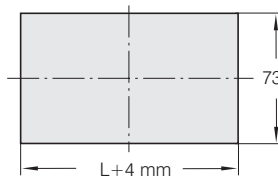
All handle lengths and RAL color shades are available on request.



Mounting



Mounting cutout



L	Order no.	Mounting cutout
100	SG-73.100.9002	104 x 73
118	SG-73.118.9002	122 x 73
167	SG-73.167.9002	171 x 73

All dimensions in metric.

# Handle Series KM



## Plastic Hollow Handle KM

**MATERIAL:**  
Thermoplastic PA6, glass bead reinforced, fine-grain structure with visible surfaces in a color shade similar to RAL 9002 grey white.

Version	Order no
Grey White	KM-48.115.9002

All dimensions in metric.

# Handle Series SK



## Tray Handle SK

**MATERIAL:**  
aluminum pressure die-casting GD AISi 8 Cu 3.

**SURFACE TREATMENT:**  
Tray and handle are powder-coated in RAL 9002 grey white.

**NOTE:**  
For order number see Page 63.

# Handle Series W1/W2

## Handle Systems W1 and W2

These intermateable, round tube handles are suitable for any screw-on spacing.

### MATERIAL AND SURFACE TREATMENT:

Shanks and connecting tubes with dia. 30 x 1.5 mm, made of extruded aluminum sections AlMgSi 0.5, powder-coated in RAL 9002 grey white.

Shank insert made of polyamide 6, glass bead reinforced in similar color shade.

### DESIGN ADVANTAGES:

Torsionally stiff and splash proof tube pie seat; edges rounded by vibratory grinding.

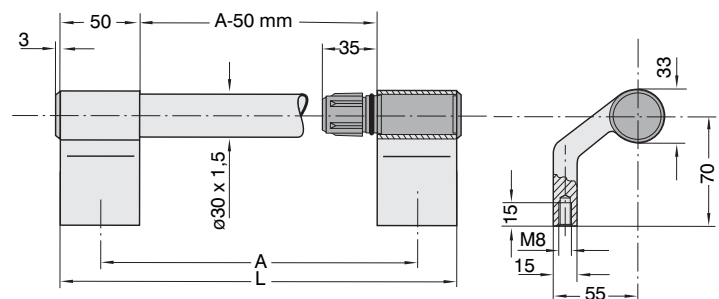
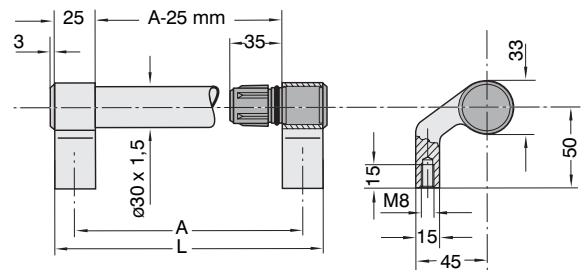
### CUSTOM OPTIONS:

All handle lengths and RAL color shades are available on request.



		W1	W2
A	L	Order no.	Order no.
200	250	W1-30.R200.9002	W2-30.200.9002
250	300	W1-30.R250.9002	W2-30.250.9002
300	350	W1-30.R300.9002	W2-30.300.9002
350	400	W1-30.R350.9002	W2-30.350.9002
400	450	W1-30.R400.9002	W2-30.400.9002
500	550	W1-30.R500.9002	W2-30.500.9002
600	650	W1-30.R600.9002	W2-30.600.9002

All dimensions in metric.





# Handle Series W3



## Offset Handle W3

Handles in a special heavy-duty design for different technical applications.

### MATERIAL AND SURFACE TREATMENT:

Profiled aluminum AlMgSi  
0.5 powder-coated in  
RAL 9002 grey white.

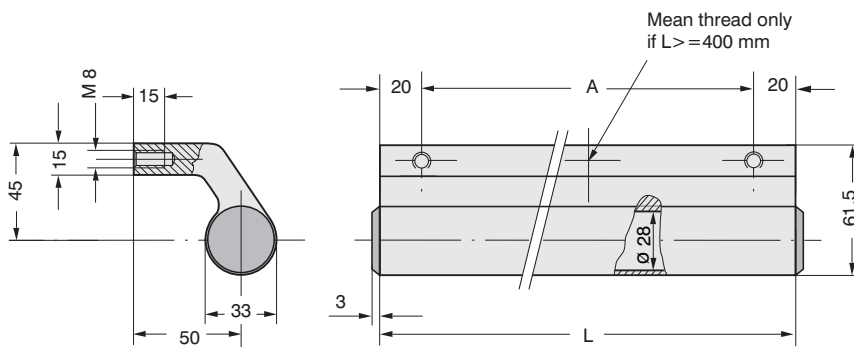
Cover caps made of  
polyamide 6, glass-bead  
reinforced in similar color  
shade.

### CUSTOM OPTIONS:

All handle lengths and RAL  
color shades are available  
on request.

A	L	Order no.
110	150	W3-33.110.9002
160	200	W3-33.160.9002
210	250	W3-33.210.9002
260	300	W3-33.260.9002
310	350	W3-33.310.9002
360	400	W3-33.360.9002
460	500	W3-33.460.9002
560	600	W3-33.560.9002

All dimensions in metric.



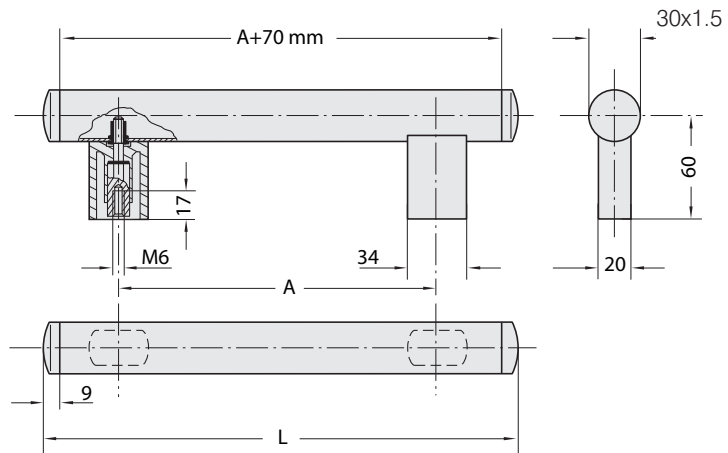
# Handle Series U1

**MATERIAL AND SURFACE TREATMENT:**  
 Tube dia. 30 x 1.5 mm  
 aluminum section AlMgSi  
 0.5 powder-coated in RAL  
 9002 grey white.

Tube holder and tube cap  
 made of polyamide (PA6)  
 glass-bead reinforced,  
 semi-gloss with fine-grain  
 structure, in the respective  
 similar RAL color shade.

**TECHNICAL FEATURES:**  
 Non-detachable blind rivet  
 nuts ensure that the handle  
 holder cannot be torn out  
 of its screwed connection  
 to the tube.

**CUSTOM OPTIONS:**  
 All handle lengths and RAL  
 color shades are available  
 on request.



A	L	Order no.
200	288	U1-30.200.9002
250	338	U1-30.250.9002
300	388	U1-30.300.9002
350	438	U1-30.350.9002
400	488	U1-30.400.9002
500	588	U1-30.500.9002
600	688	U1-30.600.9002

All dimensions in metric.

# Handle Series KL



## Plastic Ledge Handle KL

Dimensionally stable handle for drawers and casings

### MATERIAL:

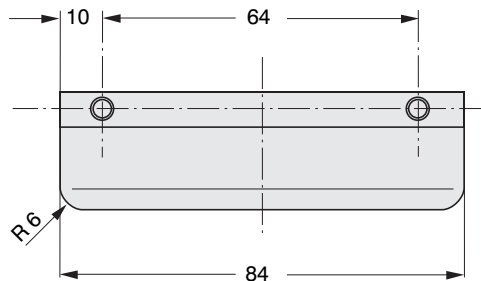
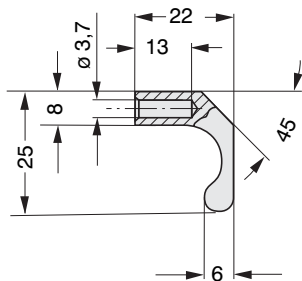
Polyamide 6, glass ball reinforced.

### VERSIONS:

Surface with fine structure, color version similar to RAL 7035 light-grey, RAL 9002 grey white, or RAL 9005 black.

### EXTENT OF SUPPLY:

Includes sheet metal screws dia. 4.2 x 9.5 mm, in accordance with DIN 7981, electrogalvanized.



	<b>Order no.</b>
light grey similar RAL 7035	KL-25.064.7035
grey white similar RAL 9002	KL-25.064.9002
black similar RAL 9005	KL-25.064.9005

All dimensions in metric.

# Series BT

## Three-Star Handle BT

Thermo-setting plastic series especially for food preparation and other hygienic areas.

### MATERIAL:

Thermo-setting plastic MF 152 (melamine resin reinforced with cellulose); stainless steel threaded bush and bolt, material 1.4305

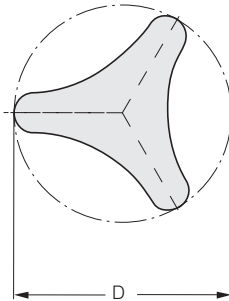
### VERSIONS:

Deburred and highly polished; color shade signal white similar to RAL 9003.

TEMPERATURE STABILITY: from  $-40^{\circ}\text{C}$  to  $+150^{\circ}\text{C}$ .

### NOTE:

Other colors available on request.



### BT-GZ with threaded bolt

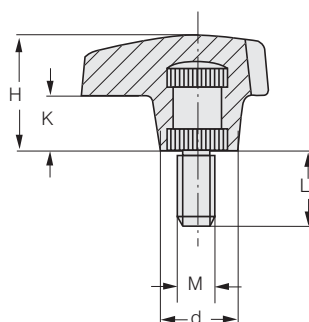
D	Order no.	M	L	H	K	d
40	BT-GZ.040.9003	6	20	24	13.5	13.5
50	BT-GZ.050.9003	8	20	28	14	17.5
62	BT-GZ.062.9003	10	30	34	17	21.5

### BT-IG with inside thread

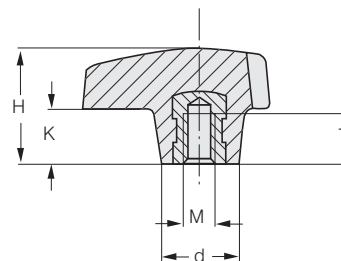
D	Order no.	M	T	H	K	d
40	BT-IG.040.9003	6	9	24	13.5	13.5
50	BT-IG.050.9003	8	13	28	14	17.5
62	BT-IG.062.9003	10	13	34	17	21.5

All dimensions in metric.

BT-GZ



BT-IG



# Series BL



## Knob Handle BL

Thermo-setting plastic series especially for food preparation and other hygienic areas.

### MATERIAL:

Thermo-setting plastic MF 152 (melamine resin reinforced with cellulose); stainless steel threaded bush and bolt, material 1.4305.

### VERSIONS:

Deburred and highly polished; color shade signal white similar to RAL 9003.

### TEMPERATURE STABILITY:

From  $-40^{\circ}\text{C}$  to  $+150^{\circ}\text{C}$ .

### NOTE:

Other colors (and versions with knurling all around) available on request.

### BL-IG with inside thread

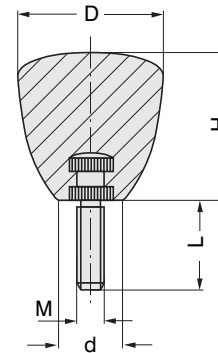
D	Order no.	M	T	H	d
25	BL-IG.025.9003	6	20	25	12
30	BL-IG.030.9003	6	20	30	14
35	BL-IG.035.9003	8	20	35	16
40	BL-IG.040.9003	10	30	40	18
45	BL-IG.045.9003	10	30	45	20

### BL-GZ with threaded bolt

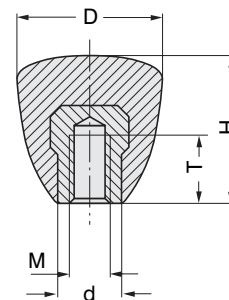
D	Order no.	M	L	H	d
25	BL-GZ.025.9003	6	9	25	12
30	BL-GZ.030.9003	8	13	30	14
35	BL-GZ.035.9003	8	13	35	16
40	BL-GZ.040.9003	10	13	40	18
45	BL-GZ.045.9003	10	13	45	20

All dimensions in metric.

BL-GZ



BL-IG



# Handle Series BM

## Knurled Knob BM

Thermo-setting plastic series especially for food preparation and other hygienic areas.

### MATERIAL:

Thermo-setting plastic MF 152 (melamine resin reinforced with cellulose); stainless steel threaded bush and bolt, material 1.4305.

### VERSIONS:

Deburred and highly polished; color shade signal white similar to RAL 9003.

TEMPERATURE STABILITY:  
From -40°C to +150°C.

### NOTE:

Other colors available on request.



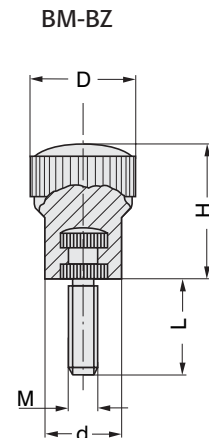
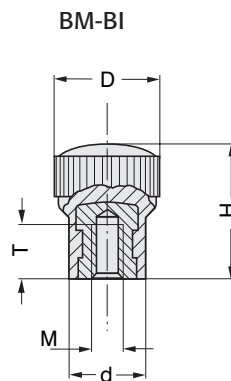
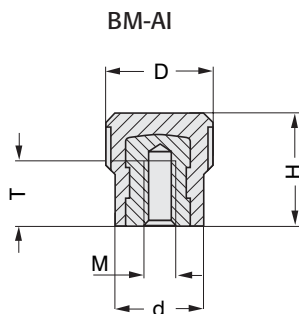
### with inside thread

Type	D	Order no.	M	T	H	d
BM-AI	12	BM-AI.412.9003	4	9	13.5	10
	15	BM-AI.515.9003	5	9	13.5	12
BM-BI	17	BM-BI-617.9003	6	9	22	12

### with threaded bolt

Type	D	Order no.	M	L	H	d
BM-BZ	17	BM-BZ.517.9003	5	15	22	12
	17	BM-BZ.617.9003	6	20	22	12

All dimensions in metric.



# Handle Series BS



## Plastic Handle BS

Thermo-setting plastic series especially for food preparation and other hygienic areas.

### MATERIAL:

Thermo-setting plastic MF 152 (melamine resin reinforced with cellulose); stainless steel threaded bush, material 1.4305.

### VERSIONS:

Deburred and highly polished; color shade signal white similar to RAL 9003.

### TEMPERATURE STABILITY:

From  $-40^{\circ}\text{C}$  to  $+150^{\circ}\text{C}$ .

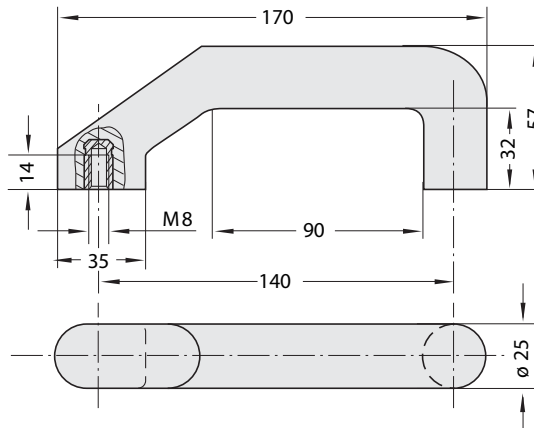
### NOTE:

Other colors available on request.

### Order no.

BS-25.140.9003

All dimensions in metric.



# Custom Molding

## Over 70 Years Experience

To assure you the know-how in efficient, economical, quality conversion of product design into finished plastic product. A know-how that extends from management and production engineers to skilled machine operators.

## Quality Control

The quality control that begins at our receiving dock with resin and insert delivery continues through our entire molding and finishing operations.

Davies specializes in custom molded knobs and handles using special inserts or one of our thousands of stock inserts. Send a sketch or print for quick pricing.

## 76 Molding Presses

50 to 400 tons for both thermoset and thermoplastic materials, inline screw injection, shuttle, semi-automatic, and rotary equipment for molded only and insert molding.

## Tool Room

Competently staffed and equipped to build new molds and maintain present tooling. Allows for better control of mold quality and delivery schedules.

## Engineering

Experienced field agents are located in the principal cities of the United States and Canada to give you prompt service and practical advice on any plastic problems you may have. To augment the field staff, technically trained plastic engineers are available from the plant to help you design your parts to take advantage of the most economical method of molding and finishing.

## Finishing

87 machines provide the most efficient methods for almost any secondary operations that may be required. Drilling, tapping, hot stamping, pad printing, engraving, paint filling, sanding, grinding, milling and assembly of inserts, set screws, springs, decorative inlays, and skirts.



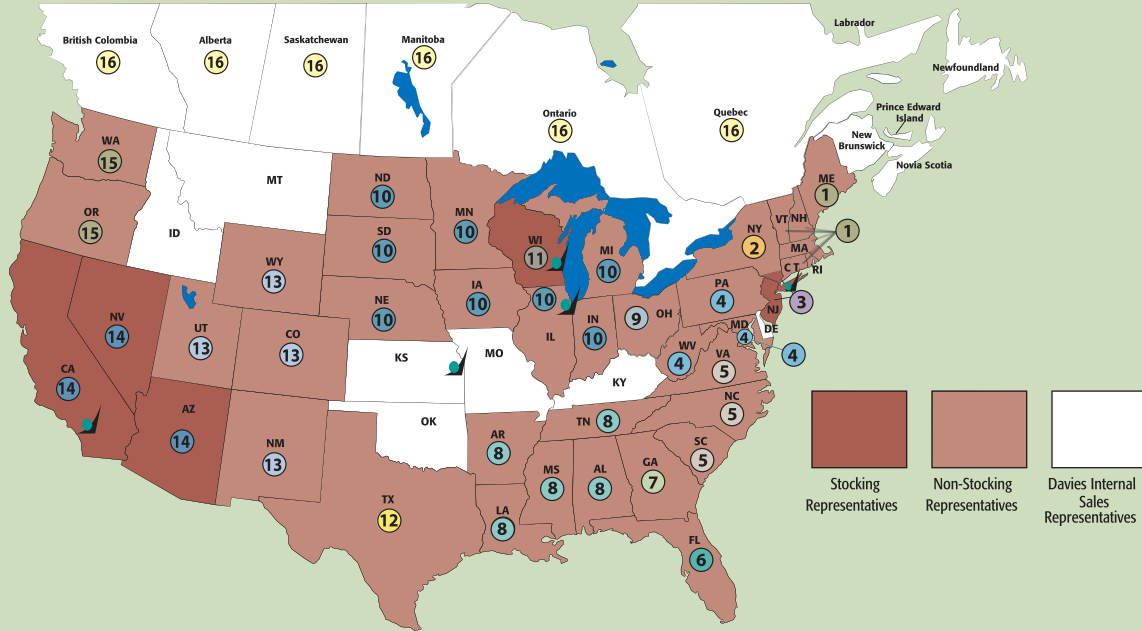


# Index

PART #	PAGE	PART #	PAGE	PART #	PAGE	PART #	PAGE	PART #	PAGE	PART #	PAGE	PART #	PAGE	PART #	PAGE
0012	31	0220-B	46	1210	25	2150	26	2825	11	3084	9	4080	44	7094	18
0013	31	0221	46	1212	27	2300	26	2830	11	3085	8	4100	21	7105	12
0014	31	0225	47	1214	25	2310	26	2835	11	3086	9	4101	21	7106	12
0016	31	0226	47	1216	25	2350	26	2837	11	3087	8	4102	21	7173	12
0017	31	0230	46	1322	27	2405	41	2840	11	3088	8	4103	21	8000	26
0018	31	0230-A	46	1326	27	2415	41	2850	13	3089	8	4104	28	8005	26
0019	31	0231	46	1330	27	2425	41	2851	13	3090	8	4105	28	8010	26
0020	32	0240	46	1400	25	2430	39	2855	13	3091	8	4106	28	8070	23
0025	30	0240-B	46	1450	24	2432	39	2860	13	3092	8	4107	28	8072	27
0030	30	0241	46	1470	25	2435	40	2870	13	3093	8	4108	28	8090	23
0033	30	0245	46	1475	24	2440	39	2880	45	3094	8	4109	28	8125	23
0035	30	0250	47	1500	25	2442	39	2890	13	3095	35	4200	19	8175	23
0036	32	0251	47	1505	27	2445	40	2960	45	3096	9	4201	19	8225	23
0040	32	0260	46	1506	27	2450	39	2970	12	3097	9	4202	19	8450	23
0042	32	0260-K	46	1507	27	2452	39	2971	12	3098	8	4210	19	8460	23
0044	30	0261	46	1510	25	2465	40	2980	12	3100	35	4211	19	AB	99
0045	30	0280	46	1520	25	2470	39	2981	12	3120	35	4212	19	AE	66, 93
0046	32	0281	46	1550	25	2472	39	2990	12	3140	35	4230	19	AG	99
0050	32	0630	43	1555	26	2480	39	3000	14	3200	35	4231	19	AM	60
0055	30	0635	42	1560	26	2482	39	3001	35	3220	35	4232	19	BD	75
0056	30	0640	43	1600	27	2510	9	3002	35	3230	35	4240	19	BL	109
0057	32	0641	43	1610	27	2520	9	3003	35	3235	35	4241	19	BM	110
0061	32	0645	43	1620	27	2530	9	3004	35	3240	34	4242	19	BP	52
0065	32	0660	42	1630	27	2670	11	3005	35	3245	34	4300	15	BS	81, 111
0066	32	0670	42	1640	27	2700	18	3006	35	3250	34	4302	15	BT	108
0070	32	0680	42	1650	27	2710	18	3008	14	3255	34	4310	15	EF	73
0071	32	0690	36	1660	27	2715	18	3009	14	3260	34	4312	15	ET	101
0073	33	0691	36	1665	27	2720	18	3015	14	3270	34	4320	15	F	80, 81
0075	33	0692	36	1680	27	2730	18	3018	14	3275	34	4322	15	FG	90, 91
0076	33	0693	36	1700	24	2745	18	3020	35	3280	34	4500	38	FZ	91
0077	33	0694	36	1770	18	2750	16	3022	10	3290	34	4510	43	GG	89
0080	33	0696	36	1775	45	2751	16	3025	10	3295	34	4520	43	GK	89
0085	33	0697	36	1900	24	2752	16	3030	17	3340	20	4525	43	GS	77, 88
0086	33	0698	37	1910	27	2760	16	3035	10	3341	20	4555	38	GZ	88
0090	33	0699	45	1913	27	2770	16	3036	10	3350	20	4560	38	HS-30	48, 49
0091	33	0700	37	1914	24	2771	16	3038	10	3351	20	4570	38	KB	59
0092	33	0710	37	1919	25	2772	16	3040	10	3370	20	4580	38	KG	58
0099	45	0720	37	1920	27	2780	16	3041	10	3371	20	4590	38	KL	107
0110	25	0730	37	1922	24	2790	16	3045	10	3510	10	4901	30	KM	103
0112	25	1100	22	1925	27	2791	16	3050	17	3512	10	5000	33	LG	78, 79
0115	25	1105	22	1930	27	2792	16	3055	17	3702	34	5089	34	M1	94, 95
0125	45	1110	22	1940	27	2800	11	3065	17	3704	34	5149	45	M2	54
0130	29	1120	22	2020	9	2810	11	3070	13	4000	44	5208	30	M3	55
0135	29	1140	22	2022	9	2812	11	3071	13	4005	44	5247	14	M4	94, 95
0140	29	1145	22	2030	8	2813	11	3072	13	4010	44	5451	38	M5	57
0145	29	1150	22	2031	8	2814	11	3073	13	4020	44	5548	43	MA	92
0150	29	1155	22	2032	8	2815	11	3075	13	4030	44	5582	36	MF	67, 96
0155	29	1200	24	2033	8	2816	11	3076	13	4040	44	5676	14	MG	69, 100
0210-A	46	1202	24	2034	8	2817	11	3080	17	4050	44	5682	42	MK	72
0211	46	1204	24	2084	9	2818	11	3081	9	4060	44	5715	36	MO	70, 97
0220	46	1206	24	2100	26	2819	11	3082	9	4070	44	5754	34	MS	51
0220-A	46	1208	24	2110	26	2820	11	3083	9	4075	45	5755	34	MV	81

# DAVIES MOLDING, LLC

## Sales Representatives Listing & Locator Guide



**1** Connecticut • Maine  
New Hampshire • Vermont  
Rhode Island • Massachusetts  
**Bengal Sales Associates**  
150 Speen Street  
Framingham, MA 01701  
508-872-1135  
Fax: 508-872-2024

**2** New York (Upstate)  
**Sutherland Industrial Sales**  
8 Dunlin Way  
Portsmouth, NH 03801  
603-431-8142  
Fax: 603-431-8260

**3** New Jersey (North)  
New York (Metro)  
**Rywel Sales Inc.**  
29 Sunset Boulevard  
Wading River, NY 11792  
631-929-4884  
Fax: 631-929-5627

**4** Pennsylvania • Maryland  
West Virginia  
**E. W. Hamlin & Associates**  
P.O. Box 22382  
Akron, OH 44302  
330-673-9592  
Fax: 330-673-9593

**5** North Carolina  
South Carolina • Virginia  
**Sid Campbell**  
4007 Marydell Lane  
Durham, NC 27707  
919-493-5828  
Cell: 919-818-4609  
Fax: 919-493-8967

**6** Florida  
**Miller Industrial Sales**  
1638 Cypress Pointe Drive  
Coral Springs, FL 33071  
954-755-5200  
Fax: 954-752-6030

**7** Georgia  
**Clay Threeton**  
619 Carriage Drive, N.E.  
Atlanta, GA 30328-3308  
404-843-3121  
Cell: 404-452-7055  
Fax: 404-843-3023

**8** Alabama • Arkansas • Louisiana  
Mississippi • Tennessee  
**L. E. Offutt Co., Inc.**  
1150 Montevallo Road SW  
Leeds, AL 35094  
205-699-3524  
Fax: 205-699-3525  
Cell: 205-529-8336  
**Branch:** P.O. Box 54  
Madden, MS 39109  
601-298-1221  
Fax: 601-298-1209  
Cell: 601-209-6524  
**Branch:** 338 Greystone Terrace  
Athens, GA 30606  
706-552-0415  
Fax 706-552-0415  
Cell: 706-202-0224

**9** Ohio  
**Foley Company**  
11620 Old State Road  
Chardon, OH 44024  
440-286-3334  
Fax: 440-286-1311

**10** Illinois • Indiana • Iowa  
Michigan • Minnesota  
Nebraska • North Dakota  
South Dakota  
**Wing-Hamlin Company**  
126 North York Rd.  
Elmhurst, IL 60126  
630-279-6161  
Fax: 630-279-6181

**11** Wisconsin  
**Clague Sales Corporation**  
122 Green Bay Road  
Thiensville, WI 53092  
262-242-5580  
Fax: 262-242-5585

**12** Texas  
**J. L. Kraker Company**  
1636 Foard Drive  
Frisco, TX 75034  
214-353-2900  
Fax: 214-353-2901

**13** Colorado • New Mexico  
Utah • Wyoming  
**Binge & English Associates**  
7200 E. Dry Creek Rd., Suite G201  
Englewood, CO 80112  
720-489-7747  
Fax: 720-489-7797

**14** Arizona • California • Nevada  
**Littrell Sales, Inc.**  
23701 West Sarda Rd.  
Valencia, CA 91355  
661-259-4434  
Fax: 661-259-1170  
**Branch:** 4238 East Spur Road  
Cave Creek, AZ 85261  
480-473-7191  
Fax: 480-473-7816

**15** Oregon • Washington  
**John A. Erickson Company**  
P.O. Box 882  
Issaquah, WA 98027  
425-392-4279  
Fax: 425-391-8730

**16** Canada • Mexico  
Please Contact  
Davies Molding Main Office

**Stocking Location**  
**Clancey Company**  
9280 Barton  
Overland Park, KS 66214  
913-894-4444  
Fax: 913-894-4498

