

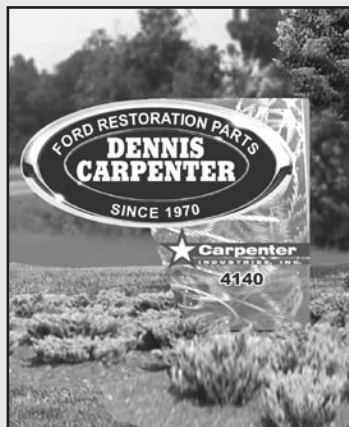
DENNIS CARPENTER REPRODUCTIONS

FOR FORD CARS, TRUCKS, AND TRACTORS AND CUSHMAN MOTOR SCOOTERS

To answer the questions most often asked about Dennis Carpenter Reproductions for Ford products and Dennis Carpenter Cushman Reproductions, here is a brief history.

Cars have always fascinated me and I have been involved with them ever since I began tinkering at the age of thirteen. In the early 1960's I began restoring a 1940 Ford Deluxe convertible and found that certain restoration parts were extremely difficult to find, especially the plastic dash knobs and dash parts.

As a hobby, I began experimenting with plastic epoxies which I purchased from Science Hobbies in Charlotte, NC. Only after "burning the midnight oil" in my basement for a period of time was I able to perfect the plastics that I needed for the restoration of my convertible. Once the parts were produced to my satisfaction, we began manufacturing the product for others. Over the years, our manufacturing processes have expanded beyond plastic injection molding to include rubber compression molding and extruding, metal stamping, die-casting and other operations. In 1990, Dennis Carpenter Reproductions expanded it's bases even further by introducing a very diverse line of parts and accessories for classic Cushman motor scooters.



We at Dennis Carpenter Reproductions have carefully developed a reputation for manufacturing original style Ford products that are made to fit and look like the originals. For example, an original part is taken from an original Ford vehicle, a mold is made of that part and a prototype is produced. This prototype is then replaced onto



the vehicle from which it originally came and is checked for correct fit and finish and in some cases "outdoor endurance tested". Only after a part has satisfactorily passed all of these tests, will it become a Dennis Carpenter reproduction.

In order to provide our customers with a durable and authentic looking product, we purchase and use only the very best raw materials available on the market today. Our commitment at Dennis Carpenter Reproductions is to build quality products that our customers can install on their vehicles with confidence. From that commitment grew our motto: "Made Right, Fits Right, Lasts Longer."

Thanks to you, my friends and fellow car and truck buffs, we have grown considerably over the past 35 years. Many of you I have come to know personally and those of you I have not met, it seems that in some way or another we have become friends over the years. If you should ever be visiting the Charlotte area, you are welcome to stop by our showroom and manufacturing facility and see how we build our quality parts.

Thank you for choosing Dennis Carpenter Reproductions products for your Ford cars and trucks and Cushman Motor Scooters.

- Dennis Carpenter

Free Parts Delivery

If you intend to go to one of the major auto, tractor, or scooter events listed below place your parts purchase with us 7 working days in advance of that event and Dennis Carpenter will deliver your parts purchase to our site at that event free of charge!

This opportunity can save you money on any parts order especially on large over-sized purchases. Dennis knows the value of saving money and he wishes to extend this special offer to all of his valuable customers.

Dennis Carpenter attends the following Automotive Events in 2007 & 2008

EVENT	WHEN	WHERE
SPRING MOULTRIE	Jan 31-Feb 2, 2008	Moultrie Auto Swap Meet, Moultrie GA.
SPRING CHARLOTTE AUTO FAIR Row HB spaces 40-49 NEW OLD STOCK FORD PARTS FOR SALE <i>at Dennis Carpenter store during Auto Fair</i>	APRIL 3-6, 2008	Lowe's Motor Speedway, Charlotte, NC.
SPRING CARLISLE row D, spaces 41-48	APRIL 23-27, 2008	Carlisle Fairgrounds, Carlisle, PA. Look for our tent.
F100 SUPER NATIONALS	MAY 15-17, 2008	Chilhowee Park, Knoxville, TN. (Near Knoxville Zoo)
ALL-FORD NATIONALS row D, spaces 35-48 row E, spaces 37-50	JUNE 6-8, 2008	Carlisle Fairgrounds, Carlisle PA.
BACK TO THE 50'S CAR SHOW	JUNE 20-22, 2008	State Fairgrounds, St. Paul, MN.
EARLY FORD V8 CLUB of AMERICA (1932-1953) GRAND NATIONAL MEET	JULY 13-19, 2008	Hyatt Hotel, Dearborn, MI.
RIGHT COAST SYRACUSE NATIONALS	JULY 17-20, 2008	Syracuse Fairgrounds, Syracuse, NY.
STREET ROD NATIONALS inside the EXPO Center	JULY 31- AUGUST 3, 2008	State Fairgrounds, Louisville, KY.
SHADES OF THE PAST	SEPTEMBER 5-7, 2008	Smokey River Ranch, Pigeon Forge, TN.
FALL CHARLOTTE AUTO FAIR Row HB spaces 40-49 NEW OLD STOCK FORD PARTS FOR SALE <i>at Dennis Carpenter store during Auto Fair</i>	SEPTEMBER 11-14, 2008	Lowe's Motor Speedway, Charlotte, NC.
GREAT SMOKEY MOUNTAIN AUTOFEST	SEPTEMBER 26-28, 2008	Smokey Stadium, Sevierville, TN.
FALL CARLISLE row D, spaces 31-36	OCT 1-5, 2008	Carlisle Fairgrounds, Carlisle, PA. Look for our tent.
FALL HERSHEY row CW, spaces 70-81	OCTOBER 8-11, 2008	Hershey, PA. Look for our tent in CHOCOLATE FIELD!
FALL MOULTRIE	NOVEMBER 15-17, 2007 NOVEMBER 21-22, 2008	Moultrie Auto Swap Meet, Moultrie GA.
CUSHMAN MOTOR SCOOTER EVENTS		
26th CUSHMAN NATIONAL MEET	JUNE 16-20, 2008	Dakota Co. Fairgrounds, Farmington, MINN.
VINTAGE MOTORBIKE MEET	JULY 15-18, 2008	Portland Fairgrounds, Portland, IN.
FORD TRACTOR EVENTS		
NATIONAL FORD / FORDSON COLLECTORS ASSOCIATION ANNUAL SHOW	JULY 1-5, 2008	Denton Farm Park, Denton, NC.
TRI-STATE GAS ENGINE & TRACTOR SHOW	AUGUST 19-24, 2008	Portland Fairgrounds, Portland, IN.

ORDER PARTS TOLL FREE: 800-476-9653 ORDER ONLINE: www.dennis-carpenter.com

General Information

Dennis Carpenter Reproductions is a manufacturer and seller of Ford restoration parts. All of the parts in this catalog, with the exception of new old stock Ford parts, are reproduction or equivalent replacement type parts of Ford Motor Company parts and are represented or referenced by original Ford part numbers.

Office Hours (Eastern Time):

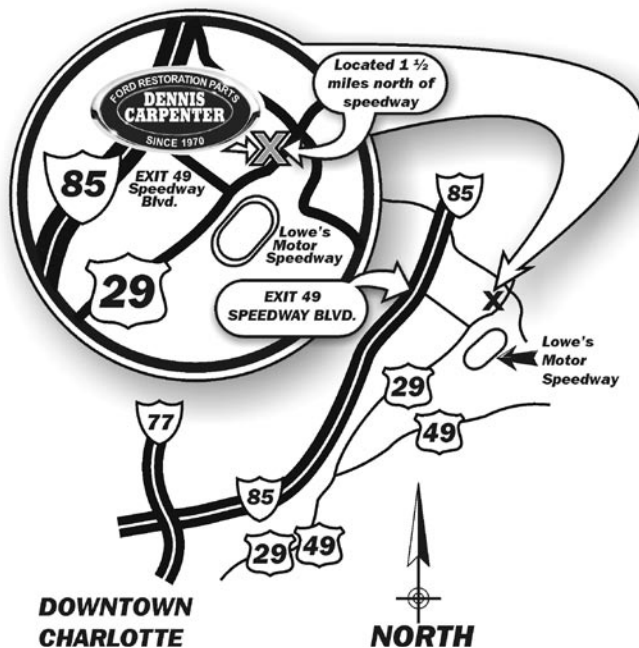
Monday through Friday 8:00 am - 5:00pm

Saturday 9:00am - 12 noon

We are closed the following holidays: New Year's Day, Memorial Day, July 4th, Labor Day, Thanksgiving Day, and Christmas Day. (If the holiday falls on Saturday, Friday will be taken. If the holiday falls on Sunday, Monday will be taken.)

Return Address:

4140 Concord Parkway, S.
Concord, North Carolina 28027



This catalog supersedes all previous editions, including prices. Due to supplier price increases and decreases **PRICES ARE SUBJECT TO CHANGE WITHOUT NOTICE.**

All rights reserved. No part of this publication may be copied, reproduced, stored in any retrieval system, communicated or transmitted in any form by any means without prior approval.

D.C. Carpenter Industries L.L.C.

Order a CATALOG:

Dennis Carpenter has over 17 catalogs to order from. To get a free catalog simply call us at

1-800-476-9653

Catalogs are sent bulk mail and may take 2 to 3 weeks for delivery.

Catalogs can also be ordered over our website. If you'd like a catalog sooner we can mail you one 1st class for only \$3 plus postage.



Customer Number

When you order with us for the first time you're assigned a customer number. This helps us easily keep track of your order. If you have one of our catalogs you can write down your customer number for easy reference in the bottom corner of the front cover of our catalog.

Payment

Although personal checks are welcome, expect a two week delay in shipping to allow the check to clear the bank. Money orders, bank certified checks, Discover, MasterCard, Visa, and American Express may also be used. No C.O.D.'s.



Due to supplier price increases and decreases, **PRICES ARE SUBJECT TO CHANGE WITHOUT NOTICE.**

Due to carrier rate increases shipping costs are **subject to change without notice.**

**Thank you for shopping with
Dennis Carpenter!**

How to Order

There are a number of convenient ways for you to order your parts from Dennis Carpenter Ford Reproductions. We have skilled operators waiting every day to take your order by phone. You can also send your order by fax, mail or go online. See all the details below for each of the ordering methods.



Phone 1-800-476-9653 Orders Only (Toll Free)



Our Phone Representatives are at your service Monday through Friday 8am 'til 5pm. Please have your customer number ready and all part numbers if calling on the toll free number.

***We're waiting to
take your
order!!***



Web

www.dennis-carpenter.com



If you have a computer and the internet jump online and visit us. There's tons of information on our website and we offer secure online ordering. Come see us today.

Fax

704-786-8180



Fax your completed order form along with year, make and model of the vehicle you are ordering for and your credit card information including the last 3 digits in signature strip on back, right of card, 4 digits on front for AMEX (small, printed together). Be sure to include a daytime phone number (including area code).

Mail



Please list year, make and model of vehicle for which you are ordering, complete part numbers, and description. Include daytime telephone number (including area code). Provide complete address with street name and house number. Mail to the mailing address below. If ordering with credit card please include the last 3 digits in signature strip on back, right of card, 4 digits on front for AMEX (small, printed together).

Thank you for shopping with Dennis Carpenter!

Order Information & Policies

To get decisive answers to your parts questions call the

Dennis Carpenter Help Team



Don't let uncertainty delay your vehicle Restoration

Ordering the right parts the first time is essential to completing a successful and satisfying restoration. At Dennis Carpenter Reproductions we understand that this seemingly simple procedure can sometimes be challenging and we have just the group to help you through the process. Introducing the Dennis Carpenter Help Team.

If you have concerns or questions about whether you are ordering the right parts for your Ford's restoration, a call to our Help Team will get you some decisive answers.

CARPENTER SHOWROOM



Be sure to visit our retail showroom in Concord, North Carolina, where you can purchase parts or browse our parts displays. We are located just 1 1/2 miles from LOWE'S Motor Speedway.

Using the Catalog

Below is an example of a listing in our catalog. It is broken up into separate columns to help you find the parts you need. In the first column is the original Ford part number. This is the number to use when ordering a part.

The second column contains a letter that corresponds to the letter found next to a part photo or illustration. This allows you to easily find and connect the part information to a picture.

In the third column is the years that the product fits followed by the always competitive Dennis Carpenter price.

EXAMPLE LISTING

PART #	PIC	DESCRIPTION	YEAR	PRICE
*8A-13532	(B)	Headlight Dimmer Switch	49-56	15.00 ea.
C5ZZ-13533	(C)	Headlight Dimmer Switch Rubber Cover	ALL	4.00 ea.



B



C

All of the parts in this catalog, with the exception of new old stock Ford parts, are reproduction or equivalent replacement type parts of Ford Motor Company parts and are represented or referenced by original Ford part numbers.



Reproduction Ford parts made from obsolete Ford tooling that are licensed by but not manufactured by Ford are identified as Classic Parts From Original Tooling.



A reproduction part that duplicates a Ford licensed by but not manufactured by Ford is identified as an Official Licensed Product.

Merchandise Returns:

Please inspect the merchandise upon arrival. Returns within 30 days of shipping date are acceptable. After 30 days a 20% restocking charge will be applied. After six months a 50% restocking charge will be applied. For no reason will merchandise be accepted after one year. All returned merchandise must be accompanied by a copy of the invoice, a merchandise return authorization form included with your order and a return authorization number. Failure to have a return authorization will result in a delay and your item will be held until we can process the claim. Please call 1-800-476-9653 for a return authorization number.

Claims:

All claims must be taken up with Dennis Carpenter Reproductions. Please inspect the merchandise upon receipt. If damage is found, contact our customer service dept. within 7 days. Please keep merchandise in the original carton for the carrier to inspect. No claims accepted after 15 days.

Electrical Items:

**ALL ELECTRICAL ITEMS ARE
NON-RETURNABLE**

ALL SALES ARE FINAL.

This includes Starters, Distributors, Distributor Caps, Coils, Points, Switches, Spark Plugs, Fuses, Light Bulbs, Wiper Motors & Pumps, and all Wiring Harnesses & Connectors.

Carburetor Returns:

Our carburetors are built to factory specifications and are in proper working condition when they leave our facility. During installation, be sure not to strip threads at any connections. Be sure there is no water or debris in the gasoline. Do not attempt to disassemble the carburetor or make any repairs. If you suspect the carburetor is defective call our CUSTOMER SERVICE DEPT @ 1-800-476-9653, OPTION 2 and request a Return Authorization Number.

Place the item back in the original packaging and return to Carpenter Industries via UPS GROUND only. When received back, we will test for any defective or damaged areas. If found to be defective, we will replace or issue a full refund, including return shipping. If the carburetor has been damaged during installation, no refund will be given and the carburetor will be returned to the customer at the customer's expense.

Warranty

We guarantee to replace or at our option, repair any product or parts which are found to be defective in material or workmanship within one year from the date of shipment. Our obligation with respect to such products or parts shall be limited to replacement or repair and in no event shall we be liable for consequential or special damages, or for transportation, installation, adjustment, or other expenses which may arise in connection with such products or parts. THIS WARRANTY EXPRESSLY MADE IN LIEU OF ANY AND ALL OTHER WARRANTIES EXPRESSED OR IMPLIED INCLUDING THE WARRANTIES OF MERCHANTABILITY AND FITNESS.



Additional Handling Charges

The chart at right reflects shipping charges based on standard size items. Please allow an additional **\$20.00** for individual items over 60" in length or odd shaped and bulky items. For example: bed strips, bedwoods, bumpers, and exhaust pipes. Allow an additional \$40.00 for items such as tailgates, grille shells, floor pans, and firewall covers. Extremely large or heavy items such as fenders, fender aprons, doors, truck headliners, scooter bodies and frames will require a **\$50.00 - \$80.00** handling fee. These items are sometimes shipped by a freight truck, freight collect to your door, depending on where you are located in the USA.

Oversize Charges

Even though a box only weighs 10 lbs., it may be necessary to ship it as a 30 lb., 70 lb., or even a 90 lb package, depending on the overall size of the box. This is a requirement of the parcel carriers.

Next Day Air Service

Next Day Air Service is available.

Domestic Ground Shipments

Our preferred carriers are FedEx and UPS. We will make an exception to ship by the US Postal Service for orders valued under \$100.00, size allowing. Tracking numbers are not available for postal service orders. Parts orders being shipped by the postal service will not leave our facility until the following Thursday. Minimum shipping charge is \$8.00, regardless of shipping method.

International Shipments

Please call or email for estimates on shipping charges for international shipments.

For Canada orders, all customs fees and shipping charges will be prepaid & added to the order total if shipping by ground. (If shipping by the US Postal Service or air service to Canada, only the shipping charges will be prepaid). CANADA CUSTOMS FEES ARE CALCULATED @ 24% OF THE PARTS ORDER VALUE (USD). FOR ALL OTHER COUNTRIES, THE SHIPPING CHARGES ONLY WILL BE PREPAID & CUSTOMS FEES WILL BE COLLECTED BY THE CARRIER AT TIME OF DELIVERY. Catalogs are mailed by the U.S. Postal Service.

Our preferred carriers are FedEx and UPS. We will make an exception to ship by the US Postal Service for orders valued under \$100.00 (USD), size allowing. Tracking numbers are not available for postal service orders. Please allow 30-45 days for delivery of orders by the postal service. No surface mail. Parts orders being shipped by the postal service will not leave our facility until the following Thursday.

Orders are shipped by our preferred carriers. Special services are available for an additional charge.

Please call for estimates on shipping charges for International Shipments.

Estimated Shipping Rates, Handling Charges and Special Services

Regardless of the size or value of the order, our minimum shipping and handling charge is \$7.50 plus \$.50 insurance. Please review the chart below for rate ESTIMATES.

<u>Value</u>	<u>Rate</u>
\$.01 - \$20.00.....	\$8.00*
\$20.01 - \$99.99.....	\$10.00*
\$100.00 - \$199.99....	\$13.00*
\$200.00 - \$299.99....	\$16.50*
\$300.00 - \$399.99....	\$19.50*
\$400.00 - \$499.99....	\$22.50*
\$500.00 - \$599.00....	\$25.50*
\$600.00 - \$699.99....	\$28.50*
\$700.00 - \$799.99....	\$31.50*
\$800.00 - \$899.99....	\$34.50*
\$900.00 - \$999.99....	\$37.50*

*includes insurance and handling

\$1,000.00 - \$1,999.99:

Add 3% of the order value for shipping plus \$.50 per \$100.00 of order value for insurance = rate ESTIMATE

\$2,000.00 - \$3,499.99:

Add 2.5% of the order value for shipping plus \$.50 per \$100.00 of order value for insurance = rate ESTIMATE

\$3,500.00 and up:

Add 2% of the order value for shipping plus \$.50 per \$100.00 of order value for insurance = rate ESTIMATE

(Additional charges may apply. Read Additional Handling Charges & Oversize Charges at left)

What does it mean?

CLASSIC describes desirable Ford cars or trucks usually 25 years old or older such as aunt Edna's 1955 Fairlane 2 door Club Sedan.

A most important symbol assuring customers of the true origin and authenticity of the classic parts produced from this program. They're also the company responsible for making the tooling in the first place.

PARTS describes the pieces of which something as a whole is composed. For example the hub caps found on aunt Edna's 1955 Fairlane 2 door Club Sedan.



FROM is a function word to indicate the source.

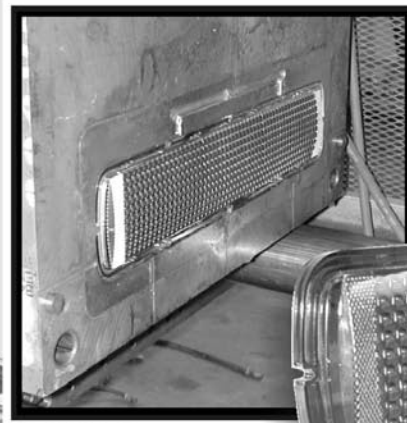
These numbers identify Dennis Carpenter Ford Reproductions as the first member of a select group to manufacture parts off original tooling, parts which comply with quality standards established by Dennis Carpenter and the Ford Motor Company. What this means is that we've dusted off certain tooling and starting using them again, continuing to make quality parts as good as the Ford originals.

ORIGINAL TOOLING describes the stamping dies, injection molds, roller dies and other tools of mass production that the Ford Motor Company used to manufacture the parts necessary to assemble their cars and trucks.

An example or Original Ford Tooling at Work

INJECTION MOLDING

Pictured below is a 300 ton injection molding machine, one of several used at Dennis Carpenter Ford Reproductions. This unit heats red acrylic to 425 degrees and shoots molten plastic into a mold, producing a perfect Ford taillight lens.



ORIGINAL TOOLING

On the left is half of an original Ford plastic injection mold which is shown mounted in the injection molding machine. The surface of this side of the mold is responsible for making the faceted texture found on the inside of a taillight lens giving it the desired reflective qualities.



1965 FORD THUNDERBIRD TAILLIGHT LENS

This freshly molded Thunderbird taillight lens is as perfect as the lenses made over thirty-five years ago by the Ford Motor Co, the only difference is that today we use technologically superior acrylics which display better durability qualities. Incidentally these same taillight lenses, part #C5SZ-13450-C, were also used on the 1968-1970 Shelby Mustangs.

HUB CAPS

B5A-1130-C	Hub Cap - Full Disc - 15" Diameter	1955-56	75.00 ea.
B7A-1130-B	Hub Cap - Full Disc - 14" Diameter 38 embossments	1957	85.00 ea.
B9A-1130-A	Hub Cap - Full Disc - 14" Diameter 36 Strut Design	1959-60	75.00 ea.
B9AB-1130-B	Hub Cap with Sun Ray Emblem installed	1959-60	150.00 ea.
D7SZ-1130-D	Wheel Center Plastic Hub Cap	1977-78	50.00 ea.
B5A-1141-A	Hub Cap Emblem	1955-56	25.00 ea.
C5SZ-1141-A	Hub Cap Emblem	1965	40.00 ea.
C6SZ-1141-B	Hub Cap Emblem	1966	40.00 ea.
E3SZ-1141-A	Hub Cap Emblem	1983-84	5.00 ea.
B9A-1141-A	Sun Ray Emblem with Die Cast Chrome Retainer Includes mounting template - Goes on B9A-1130-A	1959	50.00 ea.



B5A-1141-A



C5SZ-1141-A



E3SZ-1141-A

B5A-1130-C



B7A-1130-B



B9A-1130-A

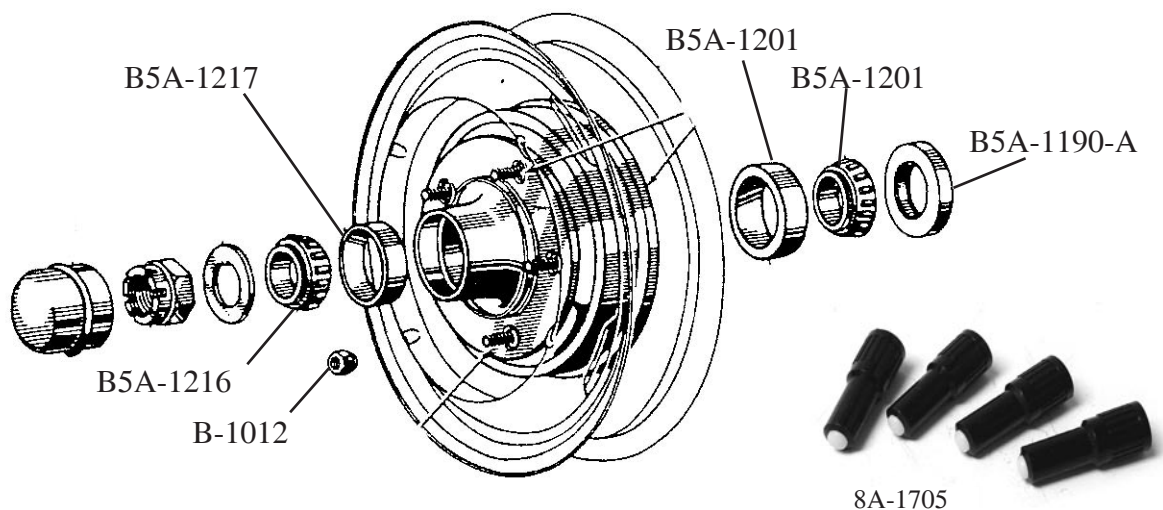


B9AB-1130-B



FRONT WHEEL SEALS & BEARINGS

B-1012	Wheel Nut	1955-66	.50 ea.
B5A-1131-A	Front Hub Grease Cap - 1-25/32" I.D.	1955-62	5.00 ea.
LF-1131-A	Front Hub Grease Cap - 1-31/32" O.D.	1963-66	3.50 ea.
B5A-1190-A	Front Wheel Grease Seal - 1-15/16" I.D. x 2-1/2" O.D.	1955-62	4.00 ea.
72054-S	Front Wheel Cotter Pin	1932-66	.25 ea.
B5A-1201	Front Wheel Inner Bearing	1955-64	10.00 ea.
B7C-1201-A	Front Wheel Inner Bearing	1965-66	10.00 ea.
B5A-1201-PR	Front Wheel Inner Bearing w/ Race	1955-64	15.00 pr.
B5A-1202	Front Wheel Inner Race	1955-64	6.00 ea.
B7C-1202-A	Front Wheel Inner Race	1965-66	6.00 ea.
B5A-1216	Front Wheel Outer Bearing	1955-62	9.50 ea.
C3SZ-1216	Front Wheel Outer Bearing	1963-66	8.25 ea.
B5A-1217	Front Wheel Outer Race	1955-62	8.00 ea.
C3SZ-1217	Front Wheel Outer Race	1963-66	5.00 ea.
BA-1457-A	Spare Wheel Hold Down Wing Nut with Rubber Coated Ends	1955, 1957, 1964-72	16.50 ea.
8A-1705	Valve Stem Extension - 3/4" long - set of 4		1.00 set

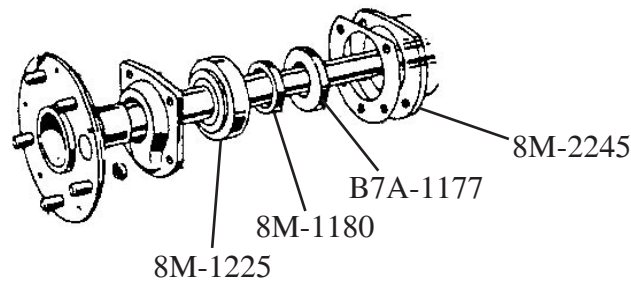


Front Wheel, Hub, Bearings, Etc.

*note - Dennis Carpenter Reproductions does NOT carry every part pictured in these diagrams. They are for reference only.

REAR WHEEL SEALS & BEARINGS

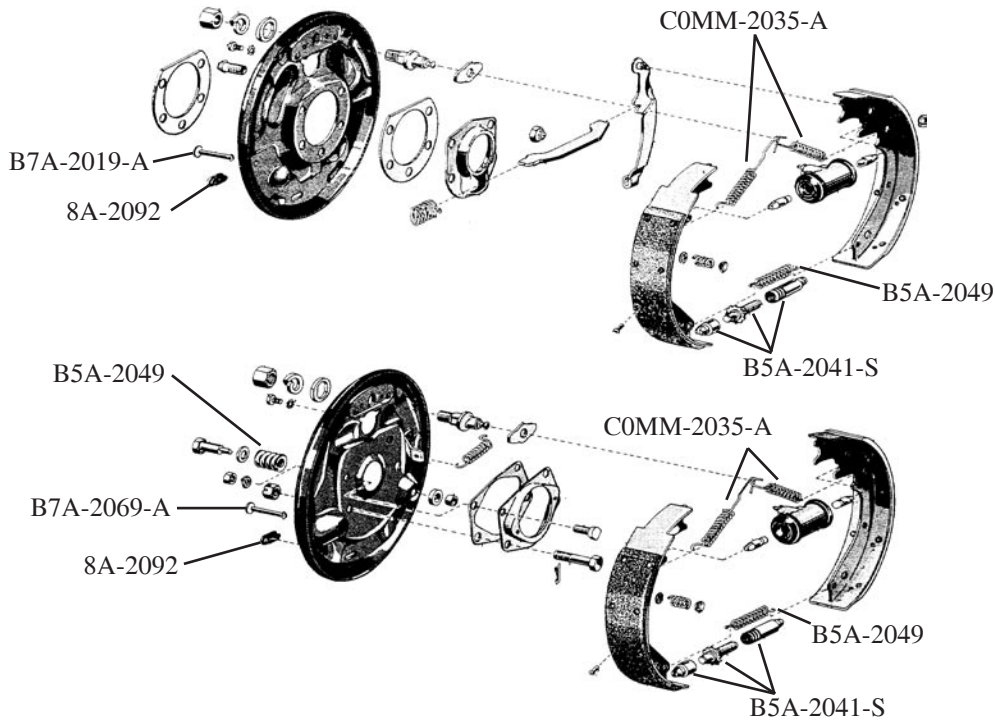
B7A-1177-A	Rear Axle Grease Seal - 1-1/2" I.D. x 2-1/2" O.D.	1955-60 1962-66	5.00 ea.
B7A-1177-B	Rear Axle Grease Seal - 1-3/8" I.D. x 3-3/8" O.D.	1961	9.00 ea.
8M-1180	Rear Axle Bearing Retainer	1955-66	12.00 ea.
8M-1225-B	Rear Axle Bearing - 1-17/32" I.D. x 3-5/32" O.D.	1955-66	40.00 ea.
B7AZ-1225	Rear Axle Bearing 1-3/8" I.D. x 2-53/64" O.D.	1961	30.00 ea.
8M-2245	Rear Wheel Bearing Retainer to Backing Plate Gasket	1955-60 1962-66	2.00 ea.
8A-2245	Rear Wheel Bearing Retainer to Backing Plate Gasket	1961	2.00 ea.
8M-2245-A	Rear Axle Housing to Backing Plate Gasket	1955-60 1962-66	2.00 ea.
8A-2256	Rear Axle Housing to Backing Plate Gasket	1961	2.00 ea.



REAR AXLE PARTS

BRAKE SHOES & LININGS - DOES ONE AXLE

264-2001	Front Brake Shoe & Lining - 11 x 2-1/2" - 4 pieces	1959-60	50.00 set
265-2001	Front Brake Shoe & Lining - 11 x 3" - 4 pieces	1961-62	50.00 set
184-2001	Front Brake Shoe & Lining - 11 x 3" - 4 pieces	1963-64	50.00 set
264-2001	Rear Brake Shoe & Lining - 11 x 2-1/2" - 4 pieces	1959-62	50.00 set



MISCELLANEOUS BRAKE PARTS

B5A-2035-A	Brake Shoe Return Spring - Front & Rear - (2) per wheel	1955-60	3.00 ea.
C0MM-2035-A	Brake Shoe Return Spring - Front - Secondary - (1) per wheel	1961	4.00 ea.
C0MM-2036-A	Brake Shoe Return Spring - Front - Primary - (1) per wheel	1961	4.00 ea.
B5A-2041-S	Star Wheel Adjusting Screw Assembly - (1) per wheel	1955-60	14.00 ea.
B7A-2047-A	Brake Adjusting Screw Nut	1955-60	4.50 ea.
B7A-2048-A	Brake Adjusting Screw Socket	1955-60	3.00 ea.
B5A-2049	Brake Adjusting Screw Spring - (1) per wheel	1955-60	8.00 ea.
B7A-2069-A	Brake Shoe Hold Down Spring Pin - Front - (2) per wheel Rear - (2) per wheel	1955-60 1960-71	.75 ea.
8A-2092	Brake Adjusting Hole Cover - Rubber - Front & Rear Rear	1955-64 1965-72	.50 ea.
01A-13480	Brake Light Switch	1955-60	5.00 ea.

MASTER CYLINDER REPAIR KITS

B5A-2004-A	Master Cylinder Repair Kit Without Power Brakes With Power Brakes - Before 6-9-61	1955-62 1961	20.00 kit
B7A-2004	Master Cylinder Repair Kit With Power Brakes & Factory Air	1958-60	25.00 kit
C1SZ-2004-A	Master Cylinder Repair Kit - With Power Brakes From 6-9-61	1961-64	22.00 kit
B2A-2474-A	Master Cylinder Push Rod Bushing - Need (2) (Mounts to end of push rod)	1955-64	15.00 ea.



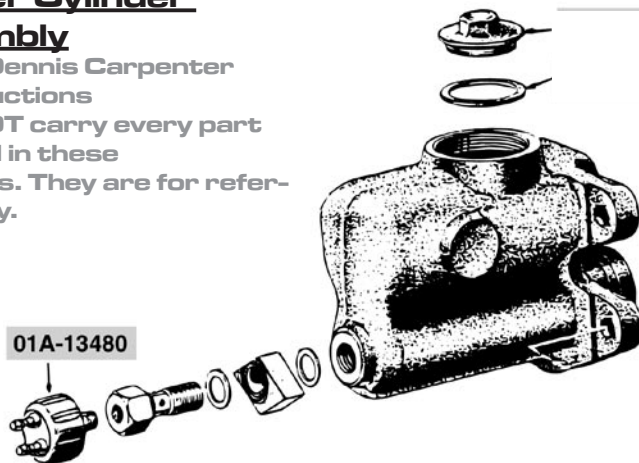
MASTER CYLINDER

B5A-2140	Master Cylinder - Without Power Brakes	1955-62	115.00 ea.
C3AZ-2140-B	Master Cylinder - With Power Brakes - Before 6-9-61	1961	92.00 ea.
C1SZ-2140-A	Master Cylinder - With Power Brakes - From 6-9-61	1961-64	95.00 ea.



Master Cylinder Assembly

*note - Dennis Carpenter Reproductions does NOT carry every part pictured in these diagrams. They are for reference only.



MASTER CYLINDER FILLER CAP & GASKET

AB-2162-C	Master Cylinder Filler Cap - Metal	1955-60	10.00 ea.
C5ZZ-2162-C	Master Cylinder Filler Cap with Gasket - Chrome - Drum Brakes	1961-64	25.00 ea.
C5ZZ-2162-G	Master Cylinder Filler Cap with Gasket - Gold Color - Drum Brakes	1961-64	25.00 ea.
8M-2167	Master Cylinder Filler Cap Gasket	1955-60	2.00 ea.



C5ZZ-2162-G

WHEEL CYLINDER ASSEMBLIES

AD-2061-D	Wheel Cylinder Assembly 1-1/8" - Right Front	1955-57	40.00 ea.
AD-2062-D	Wheel Cylinder Assembly 1-1/8" - Left Front	1955-57	40.00 ea.
B7A-2061	Wheel Cylinder Assembly 1-1/8" - Right Front	1958	50.00 ea.
B7A-2062	Wheel Cylinder Assembly 1-1/8" - Left Front	1958	50.00 ea.
C5AZ-2061-A	Wheel Cylinder Assembly 1-3/32" - Right Front	1959-60	52.00 ea.
C5AZ-2062-A	Wheel Cylinder Assembly 1-3/32" - Left Front	1959-60	52.00 ea.
C2VY-2061-A	Wheel Cylinder Assembly 1-3/32" - Right Front	1961-64	48.00 ea.
C2VY-2062-A	Wheel Cylinder Assembly 1-3/32" - Left Front	1961-64	48.00 ea.
8A-2261	Wheel Cylinder Assembly 7/8" - Right Rear	1955 1958 1961-62	36.00 ea.
8A-2262	Wheel Cylinder Assembly 7/8" - Left Rear	1955 1958 1961-62	36.00 ea.
C30Z-2261-A	Wheel Cylinder Assembly 15/16" - Right Rear	1956-57 1959-60 1963-64	36.00 ea.
C30Z-2262-A	Wheel Cylinder Assembly 15/16" - Left Rear	1956-57 1959-60 1963-64	36.00 ea.
C30Z-2261-B	Wheel Cylinder Assembly - 19/32" - Right Rear	1959-60	52.00 ea.
C30Z-2262-B	Wheel Cylinder Assembly - 19-32" - Left Rear	1959-60	52.00 ea.



C5AZ-2061-A
RIGHT FRONT WHEEL
CYLINDER ASSEMBLY

8A-2261
RIGHT REAR WHEEL
CYLINDER ASSEMBLY



WHEEL CYLINDER REPAIR KITS

8M-2221	Wheel Cylinder Repair Kit 1-1/8" - Front	1955-58	10.00 kit
C3AZ-2221-A	Wheel Cylinder Repair Kit 1-3/32" - Front	1959-64	12.00 kit
8A-2128	Wheel Cylinder Repair Kit 7/8" - Rear	1955 1958 1961-62	10.00 kit
B2A-2128	Wheel Cylinder Repair Kit 15/16" - Rear	1956-57 1963-64	10.00 kit
C30Z-2128-B	Wheel Cylinder Repair Kit 29/32" - Rear	1959-60	12.00 kit



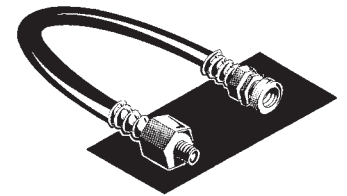
C3AZ-2221-A

B2A-2128



BRAKE HOSES

AD-2079-B	Brake Hose - Front - 14 1/4"	1955-57	26.00 ea.
B8A-2079	Brake Hose - Front - 15"	1958 1962-64	30.00 ea.
B9A-2079	Brake Hose - Front - 14"	1959-60	26.00 ea.
B2AZ-2282-B	Brake Hose - Rear - 15 1/2"	1955-57	30.00 ea.
8A-2078	Brake Hose - Rear - 17 1/2"	1958	30.00 ea.
B8A-2079	Brake Hose - Rear - 15"	1959-60	30.00 ea.



B9A-2079

PARK BRAKE RELATED PARTS

8A-2091	Park Brake Cable Adjusting Nut	1955-66	5.25 ea.
91A-2106	Lock Clip for Park Brake Lever (2) per car	1955-72	.75 ea.
B9A-2454-A	Park Brake Pedal Pad	1961-64	6.00 ea.
B7A-2628-B	Park Brake Equalizer Rod	1955-73	12.00 ea.
0M-2788	Park Brake Ratchet Bar Pawl Locking Spring	1955-56	4.00 ea.
0M-2804	Park Brake Cable Pulley	1955-60	20.00 ea.
8M-2814	Park Brake Cable Clip	1955-62	2.00 ea.



B9A-2454-A

CLUTCH & BRAKE PEDAL RELATED PARTS

AB-2454-B	Brake Pedal Pad - Manual Drum Brakes & Automatic Transmission	1960-61	21.00 ea.
B9A-2454-B	"Swift Sure" Power Brake Pedal - Automatic Transmission	1960-62	74.00 ea.
B7A-2457-A	Brake or Clutch Pedal Pads - Manual Transmission	1955-60	4.50 ea.
D2SZ-2457-A	Brake Pedal Pad	1972	5.00 ea.



AB-2454-B



B7A-2457-A

AIR CONDITIONER COMPRESSOR CLUTCH BRUSH ASSEMBLY

B9AE-2979-B	Air Conditioner Brush & Holder Assembly (used on compressor with top mounted hoses)	1959	30.00 ea.
C0AE-2979-E	Air Conditioner Brush & Holder Assembly (used on compressor with top mounted hoses)	1958-62	35.00 ea.
C8SZ-2979-A	Air Conditioner Compressor Switch & Bracket	1965-68	35.00 ea.



C0AE-2979-E



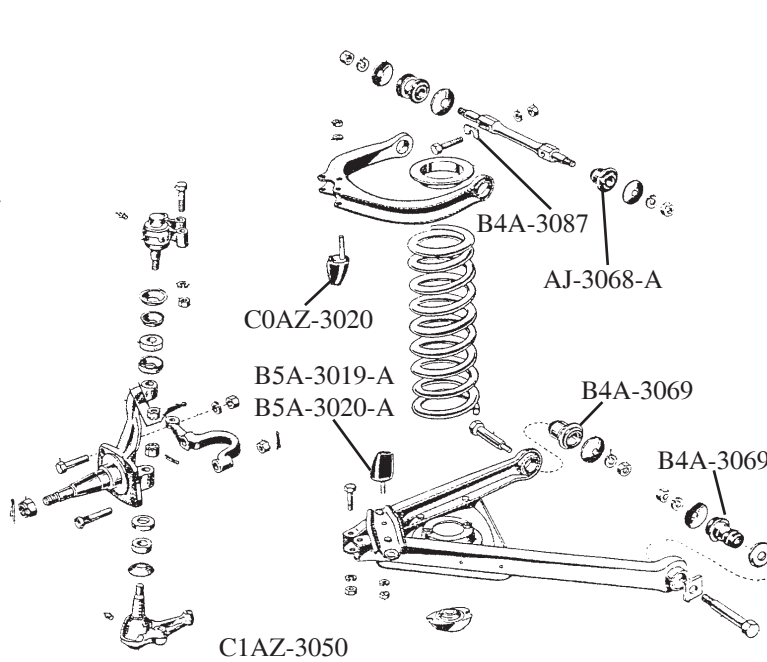
B9AE-2979-B



C5SZ-2949-A

FRONT SUSPENSION PARTS

B4AZ-3020	Front Suspension Upper Rubber Bumper	1955-57	6.00 ea.
C0AZ-3020-A	Front Suspension Upper Rubber Bumper	1959-60	7.50 ea.
B5A-3019-A	Front Suspension Lower Rubber Bumper - Right Side	1955-57	10.00 ea.
B5A-3020-A	Front Suspension Lower Rubber Bumper - Left Side	1955-57	10.00 ea.
B8A-3019-A	Front Suspension Lower Rubber Bumper	1958-60	7.00 ea.
B4A-3047-B	Front Suspension Upper Shaft Kit	1955-57	30.00 ea.
C3SZ-3047	Front Suspension Upper Shaft Kit	1961-66	50.00 kit



B8A-3019-A

Front Suspension Parts

*note - Dennis Carpenter Reproductions does NOT carry every part pictured in these diagrams. They are for reference only.

CONTROL ARM BUSHINGS

LA-3068	Control Arm Bushing - Upper Inner Front - (1) per side	1955-57	7.00 ea.
AJ-3068-A	Control Arm Bushing - Upper Inner - (2) per side	1957-60	12.00 ea.
C5AZ-3068-A	Control Arm Bushing - Upper Inner - (2) per side	1967-72	7.00 ea.
B4A-3087	Control Arm Bushing - Upper Inner Rear - (1) per side	1955-57	7.00 ea.
B4A-3069	Control Arm Bushing - Lower Inner - (2) per side	1955-59	8.00 ea.

BALL JOINTS

B5A-3049-A	Ball Joint - Upper - (2) per car	1955-57	50.00 ea.
C1AZ-3049	Ball Joint - Upper - (2) per car	1958-60	25.00 ea.
B5A-3050-A	Ball Joint - Lower - (2) per car	1955-57	50.00 ea.
C1AZ-3050	Ball Joint - Lower - (2) per car	1958-60	50.00 ea.



C1AZ-3049

TIE ROD ENDS

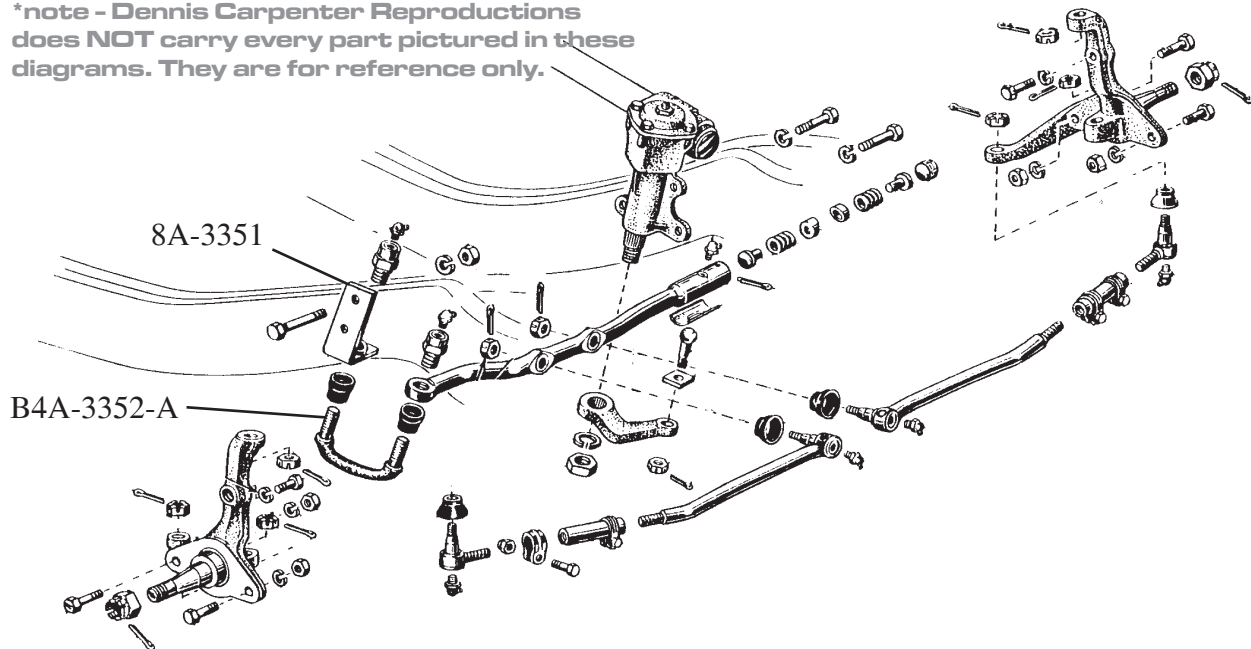
11A-3289	Tie Rod End - Right Hand Threads Includes Seal,grease fitting & cotter pin	1955-60	15.00 ea.
11A-3290	Tie Rod End - Left Hand Threads Includes Seal,grease fitting & cotter pin	1955-60	15.00 ea.
C9AZ-3332-A	Front Suspension Ball Stud Dust Seal	1969-72	5.00 ea.
C2AA-3310-B	Tie Rod Connector or Sleeve - 2 per car	1960-66	5.00 ea.



11A-3289

Steering System

*note - Dennis Carpenter Reproductions does NOT carry every part pictured in these diagrams. They are for reference only.



MANUAL STEERING PARTS

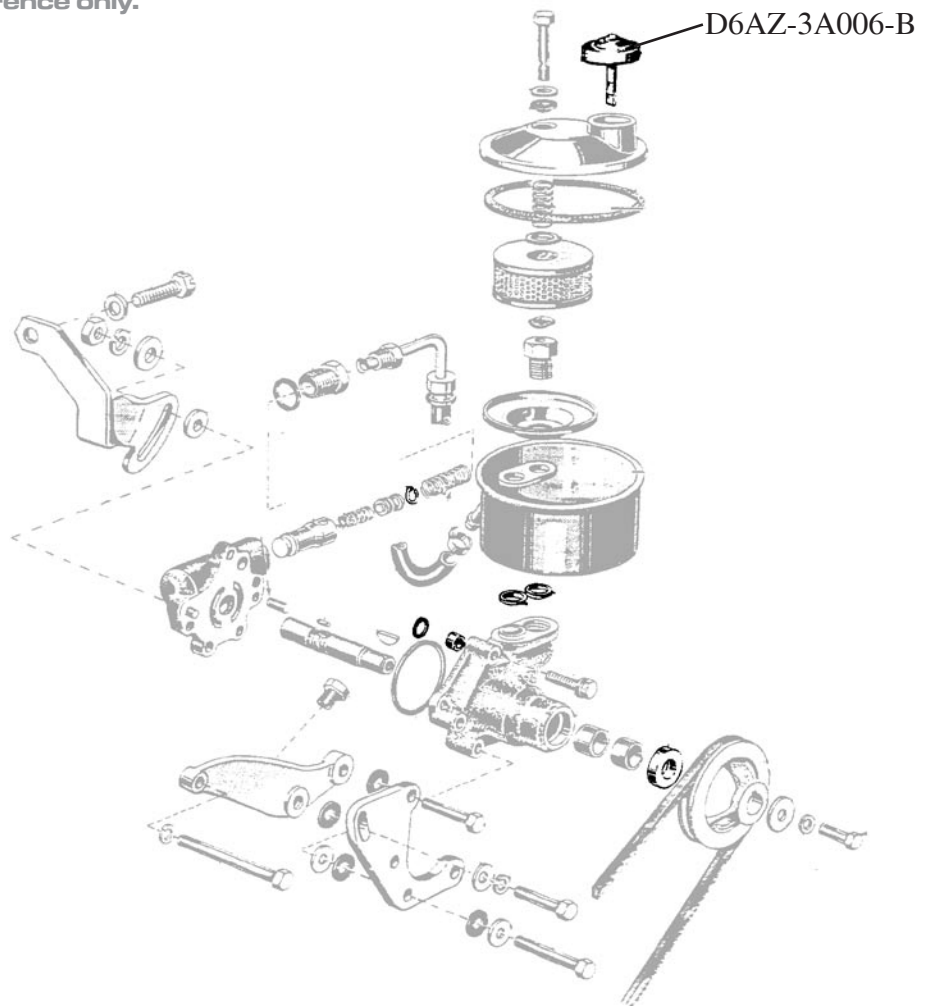
8A-3351	Idler Arm Bracket without Power Steering	1955-59	11.00 ea.
B4A-3352-A	Idler Arm Kit - with Power Steering	1958-60	32.50 ea.
MB-3356-A	Idler Arm Bushing w/o Power Steering	1955-59	5.00 ea.
C2AZ-3552-A	Upper and Lower Steering Bearing Cup	1960-77	10.00 ea.
B5S-3512-A	Steering Tube to Top of Floor Mat Seal	1955-57	22.50 ea.
E2AZ-3518-C	Upper Steering Column Bearing Sleeve	1961-71	6.00 ea.
F23Z-3517-B	Upper Steering Column Bearing	1968-71	17.00 ea.
B-3552	Steering Worm Bearing Cup - Lower	1955-57	10.00 ea.
8A-3553	Steering Worm Bearing Cup- Upper	1955-57	20.00ea.
68-3571-A	Steering Worm Roller Bearing - Need (2) per car	1955-57	8.00 ea.
AB-3581	Steering Box Gasket Set	1956-57	5.00 ea.
B8A-3581-A	Steering Housing Cover Gasket	1958-60	1.00 ea.
B7J-3577-A	Sector Shaft Thrust Adjusting Screw	1955-57	6.00 ea.
8M-3591	Steering Sector Seal - With (3) teeth on sector	1956-57	4.50 ea.
8A-3591-A	Steering Sector Seal - ALL except (3) teeth on sector	1955-60	4.50 ea.

POWER STEERING PARTS

D6AZ-3A006-B	Power Steering Oil Reservoir Filler Cap with Dip Stick - replacement style with Ford Pump	1968-77	18.00 ea.
C2AZ-3A533-A	Power Steering Control Valve Ball Stud Repair Kit	1957-62	30.00 ea.
B4AZ-3B584-C	Power Steering Pump Repair Kit - for B5SZ-3A691-A pump	1955-57	40.00 ea.
C2SZ-3B584-A	Power Steering Pump Repair Kit - for Eaton pump	1958-65	15.00 ea.
D1AZ-3B584-A	Power Steering Pump Seal Kit - with Ford Pump	1965-71	10.00 ea.
B7A-3A714-A	Power Steering Hose from Valve to Cylinder - two per car	1958-59	54.00 ea.
B5AZ-3A764-A	Power Steering Cylinder Seal Kit - for B5AZ-3A540-A cylinder	1955-56	24.00 ea.
C1AZ-3A764-A	Power Steering Cylinder Seal Kit	1957-60	15.00 ea.
B7A-33538-B	Power Steering Oil Reservoir Filter	1958-65	25.00 ea.

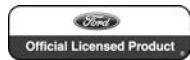
Power Steering Assembly

*note - Dennis Carpenter Reproductions does NOT carry every part pictured in these diagrams. They are for reference only.



HORN BUTTON PLASTIC INSERT

B6A-3627	Center of Horn Ring Plastic Insert - Clear - Made in USA	1956	25.00 ea.
B8S-3627	Center of Horn Ring Plastic Insert - Black - Made in USA	1958	30.00 ea.
B9S-3627	Center of Horn Ring Plastic Insert - White - Made in USA	1959-60	30.00 ea.



B6A-3627



B8S-3627



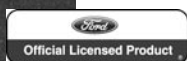
B9S-3627

KEYS

BA-3685-A	Ignition Key Blank - Genuine Ford	1952-64	2.50 ea.
BA-3685-B	Trunk Lid Key Blank - Genuine Ford	1952-64	2.50 ea.
BA-3685-ANV	Anniversary Key Blank Ignition Only	1955-64	7.50 ea.
C5SZ-3685-A	Ignition Key Blank - NOS	1965-72	3.00 ea.
C5SZ-3685-B	Trunk Key Blank - NOS	1965-72	3.00 ea.



BA-3685-A



C5SZ-3685-A
IGNITION KEY
BLANK



C5SZ-3685-B
TRUNK KEY
BLANK



BA-3685-ANV

REAR AXLE PARTS

1M-4035	Differential Housing Gasket (8 3/4", 9", or 9 3/8" Ring Gear)	1955-56	6.00 ea.
B7A-4035	Differential Housing Gasket - (8-3/4" or 9-3/8" Ring Gear)	1957-66	5.00 ea.
B8AZ-4209-C	Differential Ring Gear & Pinion Set - 9" Ring Gear - 3.25 Ratio	1960-65 1972	300.00 set
B7A-4221-A	Differential Carrier Bearing 1 5/8" I.D. - Stamped LM-501347	1957-70	10.00 ea.
B7A-4222-A	Differential Carrier Bearing Race - 2 57/64" O.D. - Stamped LM-501310 B7A-4221-A & B7A-4222-A for differentials with medium carrier bearings	1957-70	6.00 ea.
B7A-4221-B	Differential Carrier Bearing - 1 25/32" I.D. - Stamped LM-603049	1957-70	10.00 ea.
B7A-4222-B	Differential Carrier Bearing Race - 3 1/16" O.D. - Stamped 603011 B7A-4221-B & B7A-4222-B for differentials with large carrier bearings	1957-70	7.00 ea.
B6A-4676-A	Drive Pinion Seal - 3-5/32" O.D.	1955-56	8.00 ea.
B7A-4676-A	Drive Pinion Seal - 4-1/8" O.D. Seal	1957-58	15.00 ea.
B8A-4676-B	Drive Pinion Seal - 3" O.D. Seal	1958-66	14.00 ea.

FRONT SUSPENSION PARTS

8A-5415-A	Front Coil Spring Rubber Insulator	1955-60	5.00 ea.
-----------	------------------------------------	---------	----------

8A-5415-A



STABILIZER BAR END REPAIR KITS

B4AZ-5A486-A	Stabilizer Bar End Repair Kit - Needs (2) kits per car	1955-57	14.50 kit
B5A-5493	Stabilizer Bar to Frame Bushings - Need (1) pair per car	1955-57	8.00 pr.



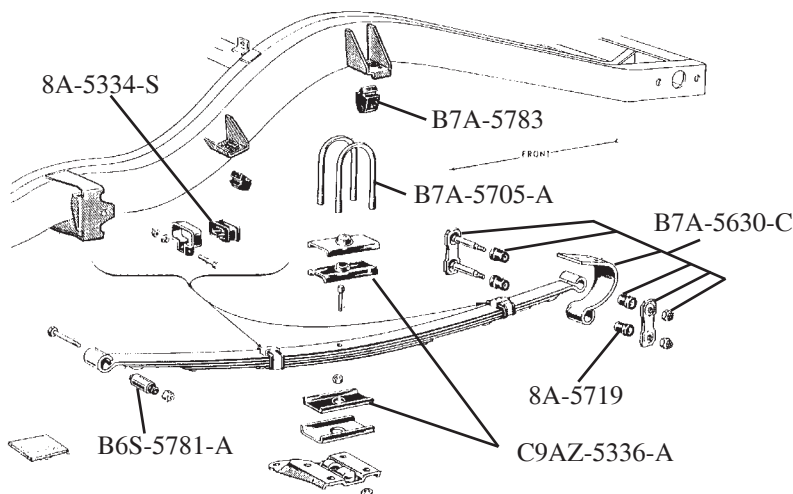
STABILIZER BAR END REPAIR KIT



B5A-5493
STABILIZER BAR TO FRAME
BUSHING

REAR SPRING SHACKLE PARTS

AB-5586-A	Rear Spring Anti-Squeak Pad Between Leaves - Plastic	1955-57	1.00 ea.
B8A-5586-A	Rear Spring Anti-Squeak Pad between Leaves	1959-60	1.00 ea.
C0AA-5586-B	Antisqueak for Rear Spring - Black Nylon - 12/spring	1961-66	2.00 ea.
B7A-5630-C	Front of Rear Spring Shackle Kit	1959-60	15.00 kit
APA-5631	Rear of Rear Spring Shackle Bar Bolt & Bushings Does one side only	1955-57 1959-60	10.00 kit
8A-5719	Rear Spring Rear Rubber Bushing - Need (8) per car	1955-57	1.50 ea.
C4DZ-5724-A	Rear Spring Clamp with 2 1/2" Spring - (3) per spring	1961-66	8.00 ea.
8A-5334-S	Rear Spring Clamp Liner - set of (6) - Does one spring	1955-56 1959-60	8.00 kit
B7S-5334-S	Rear Spring Clamp Liner - (1) set per car	1957	6.00 set
C9AZ-5536-A	Rear Spring Insulator - 4 pe car	1970-72	10.00 ea.
B7A-5705-A	Rear Spring U-bolt - Need (4) per car	1955-61	6.50 ea.
B6S-5781-A	Bushing Rear Spring Front	1956-57	10.50 ea.
B7A-5783	Bumper for Rear Spring - Need (2) per car	1959-60	5.00 ea.



C4DZ-5724-A

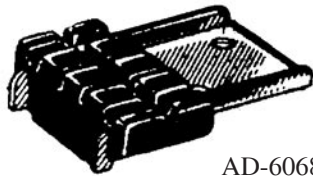
ENGINE PAINT

B5S-6000	Engine Paint - Red - Sold in quarts	1955-57	35.00 qt
----------	-------------------------------------	---------	-----------------



MOTOR & TRANSMISSION MOUNTS

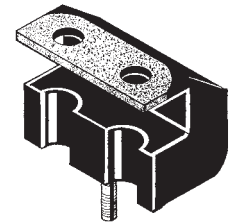
C1MM-6038	Front Motor Support - 8 cyl. 352 - need (2) per car - 8 cyl. 390 - need (2) per car	1958-60 1961-63	18.00 ea.
AD-6068	Transmission Support - 8 cyl.	1955-56	14.00 ea.
B7A-6068-A	Transmission Support - 8 cyl.	1957	12.50 ea.
C1AA-6068-A	Transmission Support - 8cyl. 406	1962	15.00 ea.
C3AZ-6068-C	Transmission Support - 8 cyl. 390 - 8 cyl. 390 except C-6 Trans.	1965 1966	20.00 ea.



AD-6068



C1AA-6068-A



C1MM-6038
FRONT ENGINE MOUNT

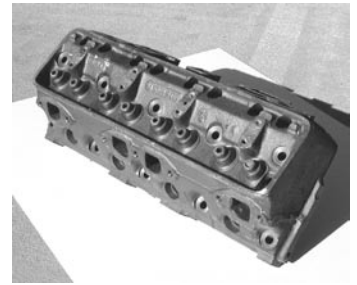
ENGINE AND RELATED PARTS

B5A-6010-R	Rebuilt Short Block Assembly - 8 cyl. 292 - Consists of: block, pistons, rings, rods, crankshaft & bearings, camshaft & bearings, lifters, timing chain & gears.	1955-57	Outright 2300.00 ea. Exchange 2000.00 ea.
------------	--	---------	--

**EXCHANGE MUST BE REBUILDABLE - WE WILL REBUILD OR EXCHANGE YOUR OLD ENGINE.
WRITE OR CALL FOR MORE INFORMATION.**

CYLINDER HEAD

C20Z-6A008-A	Cylinder Head to Cylinder Block Dowel Set Set of (4) - 8 cyl. 292, 312	1955-57	5.00 set
C3TZ-6049-G	Cylinder Head - New Replacement - Genuine Ford - 8 cyl. 292, 312 (Must use COME-6507-N Intake Valve)	1955-57	100.00 ea.
C8AZ-6051-A	Steel Head Gasket - w/352 V8	1958-63	10.00 ea.
EAA-6207-A	Connecting Rod Bushing - 8 cyl. 292	1955-57	1.50 ea.



C3TZ-6049-G
Y-BLOCK CYLINDER HEAD

PISTONS

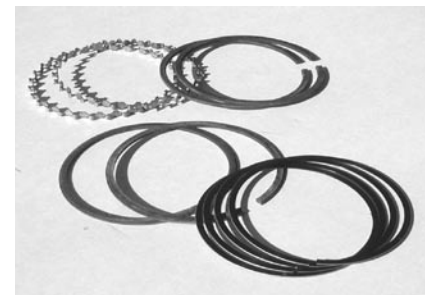
B5A-6108-STD	Pistons - Standard - 3.7503 - 8 cyl. 292	1955-57	100.00 set
B5A-6108-020	Pistons - .020 O/S - 8 cyl. 292	1955-57	100.00 set
B5A-6108-030	Pistons - .030 O/S - 8 cyl. 292	1955-57	100.00 set
B5A-6108-040	Pistons - .040 O/S - 8 cyl. 292	1955-57	100.00 set
B5A-6108-060	Pistons - .060 O/S - 8 cyl. 292	1955-57	100.00 set



B5A-6108-STD
PISTONS

PISTON RINGS

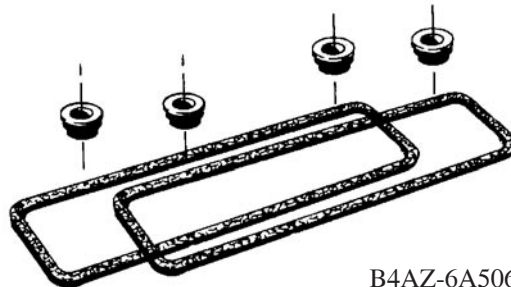
B5AZ-6148-STD	Piston Rings - Standard - 8 cyl. 292	1955-57	40.00 set
B5AZ-6148-020	Piston Rings - .020 O/S - 8 cyl. 292	1955-57	40.00 set
B5AZ-6148-030	Piston Rings - .030 O/S - 8 cyl. 292	1955-57	40.00 set
B5AZ-6148-040	Piston Rings - .040 O/S - 8 cyl. 292	1955-57	40.00 set
B5AZ-6148-060	Piston Rings - .060 O/S - 8 cyl. 292	1955-57	40.00 set



B5AZ-6148-STD
PISTON RINGS

ENGINE GASKETS

B6A-6008	Overhaul Gasket Set - 8 cyl. 292, 312	1955-57	80.00 ea.
B4AZ-6020-SET	Front Timing Cover Gasket & Seal Kit - 8 cyl. 292, 312	1955-57	20.00 kit
B6A-6051-B	Cylinder Head Gasket - Steel - 8 cyl. 292, 312	1955-57	10.00 ea.
C3TZ-6051-G	Cylinder Head Gasket - Asbestos & Steel - 8 cyl. 292, 312	1955-57	10.00 ea.
B7AZ-6079-D	Valve Grind Gasket Set - 8 cyl. 292, 312	1955-57	30.00 set
B4AZ-6A506-A	Valve Cover Gasket Set - 8 cyl. 292, 312	1955-57	10.00 set
D0AZ-6584-C	Valve Cover Gasket Set - 8 cyl. 332, 352, 390, 428	1958-71	10.00 set
C0AZ-6710-B	Oil Pan Gasket Set - 8 cyl. 292, 312	1955-57	20.00 set
C0AE-6710-C	Oil Pan Gasket Set - 8 cyl. 332, 352, 390, 428	1958-71	10.00 set
B7AZ-9433-A	Intake Manifold Gasket Set - 8 cyl. 292, 312	1955-57	7.50 set



B4AZ-6A506-A

ROD BEARINGS

B5T-6211-STDB	Rod Bearings - Standard - .06135"-.06185" - 8 cyl. 292, 312	1955-57	40.00 set
B5T-6211-010	Rod Bearings - .010 U/S - 8 cyl. 292, 312	1955-57	40.00 set
B5T-6211-020	Rod Bearings - .020 U/S - 8 cyl. 292, 312	1955-57	40.00 set
B5T-6211-030	Rod Bearings - .030 U/S - 8 cyl. 292, 312	1955-57	40.00 set
B4AE-6211-040	Rod Bearings - .040 U/S - 8 cyl. 292, 312	1955-57	40.00 set

MAIN BEARINGS

EBV-6330-STDD	Main Bearings - Standard - .0957 - 8 cyl. 292	1955-57	75.00 set
EBV-6330-010	Main Bearings - .010 U/S - 8 cyl. 292	1955-57	75.00 set
EBV-6330-020	Main Bearings - .020 U/S - 8 cyl. 292	1955-57	75.00 set
EBV-6330-030	Main Bearings - .030 U/S - 8 cyl. 292	1955-57	75.00 set
B4AE-6330-040	Main Bearings - .040 U/S - 8 cyl. 292	1955-57	75.00 set

ENGINE DAMPER

C3AZ-6312-A	Harmonic Balancer for 352,390 - V8 6 19/32" dia, 1 19/32" long, I.D. C4AE-6316 A or B	1960-67	120.00 ea.
-------------	--	---------	-------------------

CAMSHAFT PARTS

B8A-6250-C	Camshaft Assembly - 8 cyl. 292, 312	1955-57	70.00 ea.
C3TZ-6A251-A	Camshaft Bearing Set - Standard - 8 cyl. 292, 312	1955-57	25.00 set
EAA-6256	Camshaft Timing Gear - 8 cyl. 292, 312	1955-57	20.00 ea.
EAA-6268	Timing Chain - 8 cyl. 292, 312	1955-57	25.00 ea.
EAA-6269-A	Camshaft Thrust Plate - 8 cyl. 292, 312	1955-57	10.00 ea.



CRANKSHAFT PARTS

74175-S	Crankshaft Gear Woodruff Key - 8 cyl. 292, 312	1955-57	.75 ea.
B8A-6310-A	Crankshaft Oil Slinger - 8 cyl. 332, 352, 390	1958-71	4.00 ea.
B8A-6306-B	Crankshaft Timing Gear - V8 - 292 & 312	1955-57	10.00 ea.

FLYWHEEL RELATED PARTS

B8A-6375-B	Flywheel ring gear for Automatic trans - 153 teeth, 14.96 O.D. for 352,332,390,430 V8	1958-60	100.00 ea.
D1SZ-6375-A	Flywheel Assembly for Automatic Trans. - 14 1/4 dia 8 cly 429,460 V8	1968-71	80.00 ea.
EAA-6384-A	Flywheel Ring Gear - 146 teeth 8 cyl. 292, 312	1955-57	20.00 ea.
C2AZ-6436-A	Starter to Flywheel Housing Rubber Seal 8 cyl. 292, 312	1955-57	10.00 ea.



EAA-6384-A

VALVES & RELATED PARTS

B8C-6500-A	Valve Tappet - Mechanical - 8 cyl. 292, 312	1955-57	7.50 ea.
C3SZ-6500-A	Valve Tappet - Hydraulic - 8 cyl. 332, 352, 390 8 cyl. 430 8 cyl. 428	1958-71 1959-60 1966-70	9.00 ea.
C3AZ-6505-A	Exhaust Valve - Length 5.02" - Head Dia. 1.52" - Stem Size STD - Stem Dia. .3402"		10.00 ea.
C3AZ-6505-C	Exhaust Valve - Length 5.02" - Head Dia. 1.52" - Stem Size .015" - Stem Dia. .3552"		10.00 ea.
C3AZ-6505-D	Exhaust Valve - Length 5.02" - Head Dia. 1.52" - Stem Size .030" - Stem Dia. .3702" - 8 cyl. 292, 312	1955-57	10.00 ea.
B7A-6507-AA	Intake Valve - Length 5.02" - Head Dia. 1.92" - Stem Size STD - Stem Dia. .3420" - 8 cyl. 292, 312	1957	10.00 ea.
COME-6507-N	Intake Valve - Length 5.02" - Head Dia. 1.65" - Stem Size STD - Stem Dia. .3420" - used with C3TZ-6049-G replacement cylinder heads	1955-57	10.00 ea.
B6A-6513	Valve Spring - 8 cyl. 292, 312	1955-57	.75 ea.
B8A-6513-C	Valve Spring - 8 cyl. 332, 352	1958-66	2.00 ea.
7HA-6518	Valve Keepers - 8 cyl. 292, 312	1955-57	1.00 pr.
C1TE-6571-SET	Valve Guide and Valve Stem Seals - set of 16 - 8 cyl. 292, 312	1955-57	15.00 set
EBU-6575-A	Valve Rocker Arm Oil Outlet Tube Bracket - 8 cyl. 292, 312	1955-57	3.00 ea.
B5A-6588-A	Valve Rocker Arm Oil Outlet Tube - 8 cyl. 292, 312	1955-57	7.50 ea.



EBU-6575-A



B5A-6588-A



B6A-6513

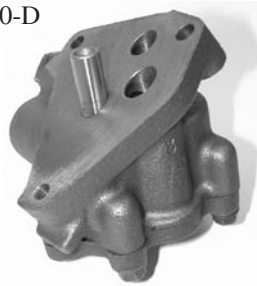
VALVES & RELATED PARTS

C2AZ-6531-B	Rocker Arm Shaft Support - 8 cyl. 332, 352, 390 8 cyl. 428	1958-71 1966-70	12.50 ea.
B6A-6549-C	Rocker Arm Adjusting Screw 8 cyl. 292, 312 (7/16" x 20 x 1.40") 8 cyl. 332, 352, 390	1955-57 1958-64	2.00 ea.
B4AZ-6563-A	Rocker Arm Shaft - 8 cyl. 292, 312	1955-57	17.50 ea.
B8AZ-6564-C	Rocker Arm - Hydraulic Tappets - 8 cyl. 332, 352, 390	1958-71	7.50 ea.
C0AE-6565-D	Push Rod - 8.19" long - 8 cyl. 292, 312	1955-57	4.00 ea.
C8AZ-6565-A	Push rod - .030" U/S - Hydraulic - 8 cyl. 332, 352, 390	1958-68	3.00 ea.
352974-S100	Wire Clip on Valve Cover	All	2.00 ea.
C3AZ-6582-PR	Valve Cover - Chrome - No Embossing - 352,390, 390 special	1961-64	130.00 pr.

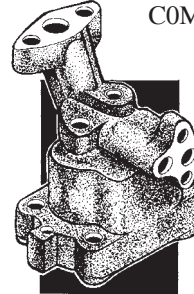
OIL PUMP & OIL PAN

C0AE-6600-D	Oil Pump Assembly - 8 cyl. 292, 312	1955-57	100.00 ea.
C0ME-6600	Oil Pump Assembly - 8 cyl. 332, 352, 390	1958-71	30.00 ea.
C8AZ-6600-A	Oil Pump Assembly for 352, 360, 390, 428, V8	1958-67	35.00 ea.
B8AZ-6A618-A	Oil Pump Intermediate Shaft - 8 cyl. 332, 352, 390	1958-71	10.00 ea.
D1AZ-6730-A	Oil Pan Drain Plug - 1/2" x 20 - 8 cyl. 292, 312 8 cyl. 332, 352, 390	1955-57 1958-71	8.00 ea.

C0AE-6600-D



C0ME-6600



OIL FILTER & RELATED

B2A-6731-A	Oil Filter Element for Original Canister Type Filter - 8 cyl. 292, 312	1955-57	9.50 ea.
C2AZ-6731-B	Oil filter Assembly - 8 cyl. All Special spin on type with check valve(TL 15A). Oil light goes out immediately when engine is started	1955-71	9.00 ea.
D9AZ-6731-A	Oil Filter - Spin on Type - Motorcraft - 8 cyl. All	1955-71	7.00 ea.
B7A-6882-A	Oil Filter Conversion Kit - 8 cyl. 292, 312 - 6 cyl. Includes plate & threaded adapter for changing canister filter to spin on type. Does not include oil filter	1955-57	30.00 ea.



B2A-6731-A

OIL FILLER CAPS

EAD-6766-B	Oil Filler Cap - Motorcraft Replacement 8 cyl. 292, 312, 352, 390, 430	1955-64	10.00 ea.
C4TZ-6766-B	Oil Filler Cap - Replacement - (Black) 8 cyl. 390, 428 with Thermactor Emission	1965-67	6.00 ea.
C8AZ-6766-A	Oil Filler Cap - Motorcraft - (Black) 8 cyl. 428, 429 with Thermactor Emission	1968-70	20.00 ea.



EAD-6766-B

STANDARD AND OVERDRIVE TRANSMISSION RELATED PARTS

8A-6918-B	Transmission Overdrive Accelerator Kick Down Switch	1955-59	20.00 ea.
74-7025	Output Shaft Bearing - Standard trans. - 8 cyl. 292 Overdrive trans. - 8 cyl. 292	1955-57 1955	40.00 ea.
74-7025	Overdrive Unit Main Shaft Bearing	1958-59	40.00 ea.
B3TZ-7A034-A	Extension Housing Bushing - Standard trans. - 8 cyl. 292 Overdrive trans. - 8 cyl. 292	1955-57 1955	7.00 ea.
B5AZ-7A034-A	Extension Housing Bushing - Standard trans. - 8 cyl. 352 Overdrive trans. - 8 cyl. 352	1958-60 1958-59	12.50 ea.
21C-7052-A	Extension Housing Oil Seal - Standard trans. - 8 cyl. 292 Overdrive trans. - 8 cyl. 292	1955-57 1955	5.00 ea.
C1AP-7052-B	Extension Housing Oil Seal - Standard trans. - 8 cyl. 312, 352 Overdrive trans. - 8 cyl. 312, 352	1956-59 1956-59	10.00 ea.
81A-7107	Synchronizer Ring - (2) per trans. - Standard trans. - 8 cyl. 292 Overdrive trans. - 8 cyl. 292	1955-57 1955	15.00 ea.
51A-7116-S	Synchronizer Repair Kit & Snap Rings - StandardTrans. 8 cyl 292 Inserts Overdrive trans. - 8 cyl. 292	1955-57 1955	10.00 kit
8A-7153-A	Transmission Gasket Set - Standard trans. - 8 cyl. 292 Overdrive trans. - 8 cyl. 292	1955-57 1955	6.00 set
D30Z-7213-A	Gear Shift Lever Knob for Column Shift in Chrome	1966-72	15.00 ea.
1M-7246-A	Column Gear Shift Rubber Insulator - Standard trans.	1958-60	8.00 ea.
A9AZ-7A650-A	Overdrive Cable and Housing w/ Knob (cut to fit)	1955-60	50.00 ea.



D30Z-7213-A

SERVICE TIP
- AUTOMATIC
TRANSMISSION
FLUID

Your Classic Ford calls for suffix "A" transmission fluid, which is no longer available. The replacement for suffix "A" is Dexron II or Motorcraft Mercon part no. XT-2-QDX (E4AZ-19582-B).

TRANSMISSION COLUMN PARTS

B5AZ-7A020-A	Transmission Oil Level Dipstick - Fordomatic	1955-57	30.00 ea.
C8SZ-7B037-A	Transmission Column Shift Selector Dial Lens	1968-69	17.50 ea.
C8AZ-7A110-A	Automatic Control Selector Indicator w/ Fixed Column	1968-71	15.00 ea.
C1SZ-7210-A	Column Gear Shift Lever with Bushing - Chrome	1961-63	40.00 ea.
C4SZ-7210-A	Column Gear Shift Lever with Bushing - Chrome	1964-66	40.00 ea.
C4SZ-7A213-C	Column Shift Control Selector Dial - Cruise-O-Matic	1964-66	25.00 ea.
1M-7246-A	Column Gear Shift Rubber Insulator - Cruise-O-Matic	1958-64	8.00 ea.
C1AZ-7A377-B	Shift Diaphragm or Modulator - Cruise-O-Matic trans. - FX & MX	1961-72	16.50 ea.



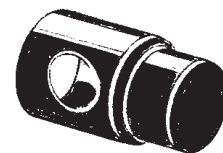
C8SZ-7B037-A



C4SZ-7A213-C



C8AZ-7A110-A

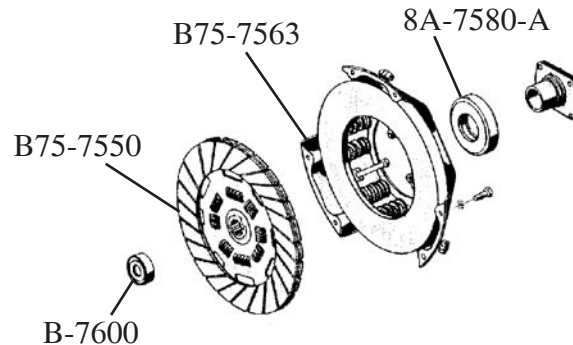


1M-7246-A

CLUTCH RELATED PARTS

01A-7517	Clutch Shaft Ball Socket Bushing - Straight Drive	1955-60	5.00 pr.
01A-7539-A	Clutch Shaft Ball Socket Washer Seal - Straight Drive	1955-57	.50 ea.
MB-7523-A	Clutch Return Spring - Straight Drive	1955-57	7.00 ea.
BA-7527	Clutch Rod to Firewall Seal - Straight Drive	1955-57	15.00 ea.
C6AZ-7562-A	Clutch Release Lever Anti-Rattler Spring - all 6 cyl. & 8 cyl.	1960-68	4.00 ea.
8A-7580-A	Clutch Release Bearing	1955-60	27.50 ea.
MA-7583-A	Brake Pedal Arm Bumper	1955-64	2.00 ea.
B-7600	Clutch Pilot Bearing - Ball Bearing	1955-57	9.00 ea.
B5A-7950-A	Starter Ring Gear for Fordomatic Transmission	1955-57	30.00 ea.

NOTE: We buy clutch disc cores at \$5.00 each and pressure plate cores at \$8.00 each



RADIATOR RELATED PARTS

B5A-8100-R	Radiator Cap	1955-66	6.00 ea.
8A-8115	Radiator Drain Cock 1/3" pipe thread	1955-66	5.00 ea.
C7SZ-8125-C	Radiator Mounting Insulator Pad Upper & Lower, Right Side, 390, 428, 429 - 8cyl.	1967-71	6.00 ea.
C7SZ-8125-D	Radiator Mounting Insulator Pad Upper & Lower, Left Side, 390, 428, 429 - 8 cyl.	1967-71	6.00 ea.
B5S-8147-S	Top of Fan Shroud to Radiator Seal with Installing Staples	1955-57	4.00 ea.

RADIATOR GRILLE RELATED PARTS

E3SZ-8213-B	Radiator Center Grille Thunderbird Ornament - with hardware	1983-84	35.00 ea.
C0SB-8259-A	Radiator Grille Upper Panel Ornament - no hardware	1960	40.00 ea.
B8S-8259-A	Radiator Grille Upper Panel Ornament - no hardware	1958-59	40.00 ea.



E3SZ-8213-B

THERMOSTAT - GASKET NOT INCLUDED

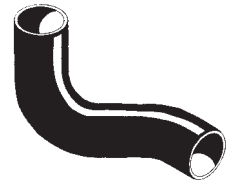
C2AZ-8575-A	Thermostat - 180* - 292, 312, 332, 352, 390, 428, 430 - 8 cyl.	1955-66	6.00 ea.
C2AZ-8575-B	Thermostat - 160* - 292, 312, 332, 352, 390, 428, 430 - 8 cyl.	1955-66	6.00 ea.
B5A-8592-A	Thermostat Housing	1955-57	40.00 ea.

THERMOSTAT HOUSING GASKETS

B5A-8255-A	Thermostat Housing Gasket - 292 - 8 cyl.	1955-57	1.00 ea.
D1PZ-8255-A	Thermostat Housing Gasket - 352, 390, 428 - 8 cyl.	1958-66	2.00 ea.

RADIATOR HOSES

B9A-8286-C	Radiator Hose - Upper 352, 430 - 8 cyl. - 2" I.D.	1958-60	18.00 ea.
C0AA-8260-B	Radiator Hose - Upper 390 - 8cyl. - 1 3/4" I.D.	1961-63	20.00 ea.
C4SZ-8260-E	Radiator Hose - Upper - 1 3/4" I.D.	1964-66	20.00 ea.
C0AZ-8286-G	Radiator Hose - Lower 352, 430 - 8cyl. - 2" I.D.	1958-60	20.00 ea.
C1SS-8286-D	Radiator Hose - Lower 390, 428 - 8 cyl. - 2" I.D.	1961-66	18.00 ea.



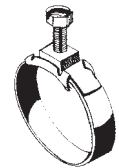
C0AA-8260-B

HEATER & RADIATOR HOSE CLAMPS

8BA-8287	Radiator Hose Clamp - 1-5/8" O.D.		1.50 ea.
AB-8287	Radiator Hose Clamp - 1-7/8" O.D.		1.50 ea.
B-8287	Radiator Hose Clamp - 2-1/8" O.D.		1.50 ea.
C0AZ-18572	By-Pass & Heater Clamp	1960-70	1.00 ea.
B7AZ-8287-C	Radiator Hose Clamp - Post or Tower Type 1-11/16"	1957-66	2.00 ea.



B7A-8287-B



B7AZ-8287-C

WATER PUMPS - GASKET INCLUDED

B6A-8501-BR	Water Pump - Rebuilt 292, 312	1955-57	70.00 ea.
C4AZ-8501-BN	Water Pump - New 390 (use with generator)	1961-64	100.00 ea.
D0AZ-8501-DN	Water Pump - New 390 (use with alternator)	1963-66	85.00 ea.
D0AZ-8501-DR	Rebuilt Water Pump with Ford Script & Casting Number - V8 - 390 w/ alternator	1963-66	100.00 ea.

AIR DUCT CLAMP

FAA-8725-A	Heater Air Duct Retainer Clamp and A/C	1955-56	4.00 ea.
------------	--	---------	-----------------

GAS TANK RELATED PARTS

*GTS-9000	Gas Tank Slushing Compound/Sealer - Quart Eliminates rust & corrosion & Seals small pinholes	ALL	25.00 qt.
*GTP-9001	Gas Preservative & Stabilizer - Use when car is not run for a long time Prevents gum & varnish formation & corrosion Allows gas to be stored for up to 2 Years!	ALL	25.00 qt.
B5S-9002-D	Gas Tank	1955	250.00 ea.
B6S-9002-A	Gas Tank	1956	250.00 ea.
B7S-9002-A	Gas Tank	1957	250.00 ea.
B9S-9002-A	Gas Tank	1958-60	250.00 ea.
C4SZ-9002-A	Gas Tank - From 1/64 to 3/27/64	1964	250.00 ea.
C2SZ-9002-A	Gas Tank	1961-63	250.00 ea.
C4SZ-9002-B	Gas Tank - From 3/28/64	1964-66	250.00 ea.
C8AZ-9008-A	Seal Fuel Tank to Filler Neck	1969-70	15.00 ea.

GAS CAPS & GROMMETS

B9A-9030-C	Gas Cap	1955-60	6.00 ea.
C5AZ-9030-A	Gas Cap	1961-66	6.00 ea.
B7A-9080-A	Gas Neck Grommet	1955-60	7.00 ea.



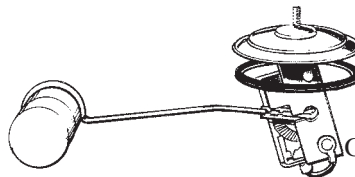
B9A-9030-C

FUEL TANK SENDING UNIT

Fuel Tank Sending Units Include Gasket & Float

68-9275-S	Fuel Tank Sending Unit Float - Special solid design by Stewart Warner	1955-66	5.00 ea.
99A-9275	Fuel Tank Sending Unit- 6 or 12 volt	1955	35.00 ea.
B7A-9275-F	Fuel Tank Sending Unit in Tank - 12 volt	1957-60	50.00 ea.
C1SZ-9275-A	Fuel Tank Sending Unit in Tank - Imported	1961-63	90.00 ea.
C4SZ-9275-C	Fuel Tank Sending Unit in Tank w/o low fuel warning lamp - imported - w/ Gasket & Float	1964-66	110.00 ea.
C4SZ-9275-D	Fuel Tank Sending Unit in Tank with low fuel warning lamp - imported - w/ Gasket & Float	1964-66	100.00 ea.
D0SZ-9275-C	Fuel Tank Sending Unit w/o Low Fuel Warning Lamp - Import - w/ Gasket & Float	1970	90.00 ea.
68-9276	Fuel Tank Sending Unit to Tank Gasket	1955-56	2.00 ea.
B9AF-9276-A	Fuel Tank Sending Unit to Tank Gasket	1957-60	1.00 ea.
C0AF-9276-A	Fuel Tank Sending Unit to Tank Gasket	1961-66	1.00 ea.

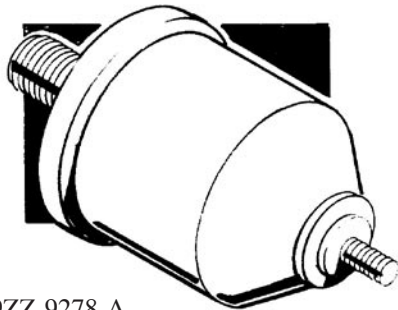
C0AF-9276-A
GAS TANK SENDING UNIT GASKET



B7A-9275-F
GAS TANK SENDING UNIT

OIL PRESSURE SENDING UNIT

B6A-9278	Oil Pressure Sending Unit with warning light	1955-63	10.00 ea.
C9ZZ-9278-A	Oil Pressure Sending Unit - Stamped # 90 - 1/4" x 18 pipe thread	1964-71	15.00 ea.
D9ZZ-9278-A	Oil Pressure Unit used w/ Gauge Assembly	1977-79	32.50 ea.



D9ZZ-9278-A



B6A-9278

FLEXIBLE FUEL LINES

1A-9288-A	Flexible Fuel Line - Main Line to pump	1955-58	9.00 ea.
1A-9288-ANOS	Flexible Fuel Line - Main Line to pump - NOS - Ford Script	1955-58	10.00 ea.
C1UU-9288-A	Flexible Fuel Line - Main line to pump - Except 430	1959-63	7.00 ea.

FUEL PUMPS - NEW

B5S-9350-B	Fuel Pump - For optional equipment - fuel & vacuum	1955-57	70.00 ea,
4206-9350	Fuel Pump - For optional equipment - fuel & vacuum	1958	100.00 ea,
6523-9350	Fuel Pump - For standard equipment or electric wipers - except 430	1958-60	50.00 ea.
6523-9350	Fuel Pump - For electric wipers	1962-64	50.00 ea.
3461-9350	Fuel Pump - For vacuum wipers	1960	110.00 ea.
3450-9350	Fuel Pump - For electric wipers	1961	75.00 ea.
D0TZ-9350-A	Fuel Pump	1965-66	36.00 ea.
C3AZ-9355-A	Fuel Pump Filter Bowl	1962-68	20.00 ea.
C4AZ-9365-A	Fuel Pump Filter - Used on pumps with filter screwed to bottom of fuel pump	1962-71	5.00 ea.
C3AZ-9355-P	Fuel Pump Filter Canister - Plain - No Decal	1962-68	10.00 ea.



3450-9350

MANIFOLDS GASKETS (INTAKE & EXHAUST)

B7AZ-9433-A	Intake Manifold Gasket Set - 8 cyl. 292, 312	1955-57	7.50 set
B5A-9492-S	Exhaust Manifold Gasket Set for Ford Y-block 239,256,272, 292, 312, V8	1955-64	16.00 pr
1GA-9450	Exhaust Manifold to Exhaust Pipe Gasket	1955-62	2.00 ea.

CARBURETOR KITS

B5A-9590	Carburetor Kit - Four-barrel Holley	1955	55.00 ea.
B6A-9590-D	Carburetor Kit - Four-barrel Holley	1956-57	55.00 ea.
C2SZ-9A586-C	Carburetor Kit - Four-barrel Holley	1958-66	24.00 ea.

AIR CLEANER WING NUT

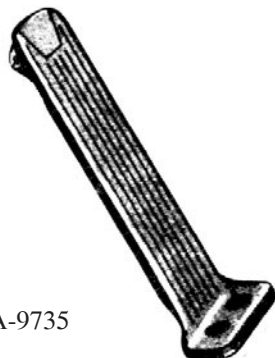
358871-S	Air Cleaner Wing Nut 1/4" x 20 thread	All	2.00 ea.
----------	---------------------------------------	-----	-----------------

AIR CLEANER FILTERS

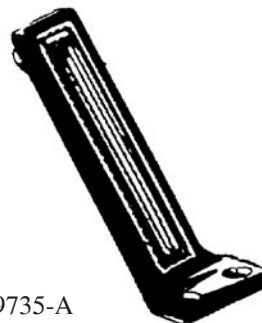
B7SZ-9601-A	Air Filter - 13.69" O.D. x 10.81" I.D. x 2.12" Ht.	1957	6.00 ea.
C3VY-9601-E	Air Filter - 9 11/16" O.D. x 7 3/8" I.D. x 2 1/4" Ht.	1958-60	5.00 ea.
C1VE-9601-A	Air Filter - 13 1/8" O.D. x 10 5/8" I.D. x 2 1/16 Ht.	1961-63	11.00 ea.
C3AZ-9601-B	Air Filter - 9 3/4" O.D. x 7 1/4" I.D. x 2 3/8" Ht.	1964	12.00 ea.
C5ZZ-9601-B	Air Filter - 10.04" O.D. x 7.50" I.D x 2.38" Ht.	1965-66	10.00 ea.
B6A-9602-SET	Carburetor Air Cleaner Gasket Set - 4 barrel	1956	15.00 set

ACCELERATOR PEDALS

B5A-9735-A	Accelerator Pedal	1955-60	10.00 ea.
B7A-9735	Accelerator Pedal	1961-62	11.00 ea.
BA-9738-S	Accelerator Pedal Rod to Floor Seal	1955-60	2.00 ea.
C1AA-9793-A	Accelerator Pedal Linkage to Firewall Seal	1961-66	5.50 ea.
C5AZ-9873-B	Accelerator Pedal Hinge Bushing	1967-71	1.00 ea.
E4SZ-9N825-A	Accelerator Actuator Assembly	1984-86	20.00 ea.
B7A-9727-B	Gas Pedal Rod to Accelerator Assembly - Spoon Type - use w/ B7A-9735	1961-64	5.00 ea.



B7A-9735



B7A-9735-A



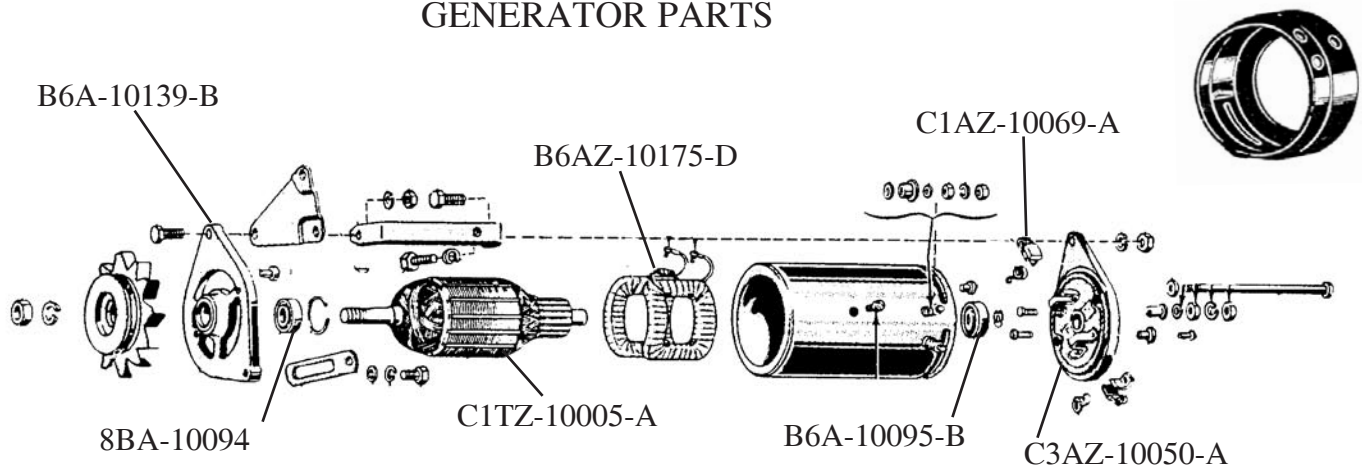
C1AA-9793-A

GENERATOR RELATED PARTS

B6A-10002	Generator - Rebuilt - 12 volt	1956-61	Exchange Outright	145.00 ea. 245.00 ea.
B6A-10002-MK	Major Generator Rebuild Kit w/30 amp Includes: C1TZ-10005-A armature, B6A-10095-B rear bearing, C1AZ-10069-A brush set, B6AZ-10175-D field coil, 8BA-10094 front bearing	1956-61		45.00 ea.
B6A-10002-K	Generator Rebuild Kit w/30 amp Includes: C1TZ-10005-A armature, 8BA-10094 front bearing, C1AZ-10069-A brush set, B6A-10095-B rear bearing	1956-61		30.00 ea.
C1TZ-10005-A	Generator Armature - 30 amp.	1956-61		25.00 ea.
C3AZ-10050-A	Generator Rear End Plate and Brush Assembly	1956-62		15.00 ea.
C1AZ-10069-A	Generator Brush Set - .90"high x .93" wide x .29" thick	1956-62		4.00 set
8BA-10094	Generator Front Bearing	1955-62		9.00 ea.
B6A-10095-B	Generator Rear Bearing	1955-62		12.00 ea.
C3AZ-10120-A	Generator and Starter Bolt - (1/4" x 20 x 1" x 6 9/16" long)	1955-64		4.00 ea.
B6A-10139-B	Generator Front End Plate	1956-62		7.50 ea.
C1AZ-10170-B	Generator Splash Shield - Rubber	1961-62		18.50 ea.
B6AZ-10175-D	Generator Field Coil Assembly - 30 amp. generator	1956-61		20.00 ea.
B6A-10505	Voltage Regualtor - 12 volt - 30 amp	1956-64		30.00 ea.
B6A-10505-00	Voltage Regulator - Original Ford - 12 volt - 30 amp	1956-64		60.00 ea.
C2AZ-10505-C	Voltage Regulator - 12 volt - 35 amp	1956-64		26.00 ea.

C1AZ-10170-B
GENERATOR SPLASH SHEILD

GENERATOR PARTS



ALTERNATOR RELATED PARTS

C3SZ-10316-B	Alternator Regulator - Except transistorized - Fits: regulators with these ID numbers: C4TF-10316-B or D, C4UF-10316-A or B, C5AF-10316-A, C5TF-10316-A, C8AF-10316-A, C8TF-10316-A, D0AF-10316-A, D2AF-10316-AA, OR D2TF-10316-AA	1965-72	38.00 ea.
C5AZ-10330-A	Alternator Rotor Shaft	1970	15.00 ea.
C5DZ-10335-A	Alternator Rotor Assembly - Fits: Motorcraft alternators with these ID numbers: C5AF-10300-A-B-C-D-E, C5DF-10300-A-B, C5TF-10300-AN-AS-AT-AU-AV, C6AF-10300-A-C-D-E, C6DF-10300-A-B, C6TF-10300-A-B-C-D, C7TF-10300-C-D-E, C7ZF-10300-A, C9AF-10300-A, C9ZF-10300-A, D0AF-10300-C-F-G, D0AF-10300-AA, D0ZF-10300-B, D2AF-10300-AB, D20Z-10300-DA-DB, D2ZF-10300-AA-AB-AC, C5AF-10346-A, C5DF-10346-A-B, C6AF-10346-A, C6DF-10346-A, D2AF-10346-CA, D20F-10346-DA-GA	1965-72	25.00 ea.

BATTERY RELATED PARTS

B5A-10718-A	Battery Hold Down Clamp - metal	1955	15.00 ea.
C5DZ-10718-B	Battery Hold Down Bracket	1961-66	13.00 ea.
D0DZ-10718-A	Battery Hold Down Clamp - Plastic	1970-72	10.00 ea.



C5DZ-10718-B

INSTRUMENT CLUSTER VOLTAGE REGULATOR

Controls Voltage to Gas and Temperature Gauge

B9MZ-10804-C	Instrument Cluster Voltage Regulator	1960-66	25.00 ea.
--------------	--------------------------------------	---------	------------------

DASH BEZEL SEALS

FAA-10868-B	Dash Bezel Seals - Set of 5	1955-59	15.00 set
-------------	-----------------------------	---------	------------------

TEMPERATURE SENDER

B6C-10884	Temperature Sender - 12 volt	1956	60.00 ea.
B7A-10884-A	Temperature Sender for Motor Block 1/4" x 18 x 1-15/16"	1957-61	7.00 ea.
C3AZ-10884-A	Temperature Sender for Motor Block 1/8" x 27 x 1-5/8"	1963-64	5.00 ea.
C8GY-10884-A	Temperature Sender for Motor Block - without automatic temperature control	1972-75	7.50 ea.
B4A-10911-A	Water Temperature Sender Adapter - Press into head	1955-56	15.00 ea.
B7A-10911-A	Water Temperature Sender Adapter - Press into head	1957	15.00 ea.

STARTER PARTS

B6A-11002-R	Starter Assembly - Rebuilt - Except 390 & 430	1956-61	Outright 235.00 ea. Exchange 135.00 ea.
C2AZ-11002-K	Starter Rebuild Kit - Includes(1) C2AZ-11005-A Armature, (1) 18-11052 Rear End Plate Bushing, (1) A9AZ-11102-A Starter Post Repair Kit, (1) 18-11057 Brushes, (1) 1CM-11135-A Starter Drive Bushing	1962-64	30.00 kit
C2AZ-11002-R	Starter Assembly - Rebuilt	1962-64	Outright 235.00 ea. Exchange 135.00 ea.
18-11052	Brush End Plate Bushing	1955-66	2.00 ea.
18-11057	Brushes	1955-64	6.50 ea.
A9AZ-11102-B	Starter Post Kit	1955-64	5.00 kit
B1TZ-11126-A	Starter Motor Cover Band	1955-64	4.50 ea.
C2AZ-11130-A	Starter Drive End Plate and Bushing	1955-64	15.00 ea.
1CM-11135-A	Drive End Housing Bushing 5/8" I.D. x 13/16" O.D. x 1 15/32" long	1955-61	2.00 ea.
C2AZ-11350-C	Starter Drive	1962-64	25.00 ea.
FAB-11450-B	Starter Solenoid	1955	14.00 ea.
B6A-11450-A	Starter Solenoid	1956-66	14.00 ea.
B6AZ-11450-A	Starter Solenoid - Genuine Ford	1956-66	25.00 ea.



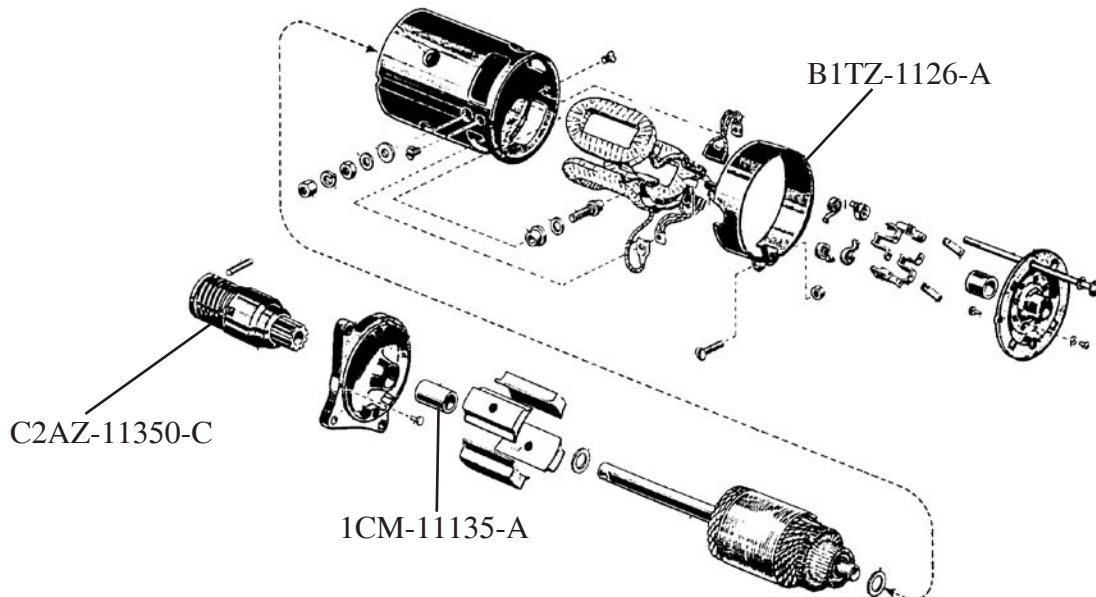
C1AZ-11350-A



B6A-11450-A

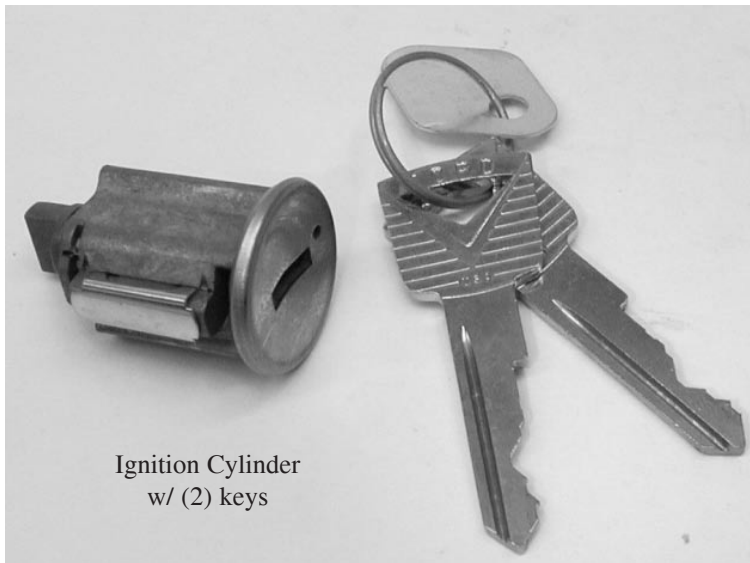


B6AZ-11450-A



IGNITION SWITCH

B5A-11572-A	Ignition Switch Housing	1955-60	16.00 ea.
C3AZ-11572-A	Ignition Switch Housing	1961-64	22.50 ea.
C5AZ-11572-B	Ignition Switch Housing	1965-67	30.00 ea.
D1AZ-11572-C	Ignition Switch Housing	1968-69	20.00 ea.
BA-11582-A	Ignition Cylinder Assembly with (2) Keys	1955-60	10.00 ea.
C3AZ-11582-A	Ignition Cylinder Assembly with (2) Keys	1961-64	13.00 ea.
C9AZ-11582-A	Ignition Cylinder Assembly with (2) Keys	1965-66	17.50 ea.
C3AZ-11584-A	Ignition Switch Bezel	1961-63	10.00 ea.
D4AZ-11582-A	Ignition Switch Lock Cylinder and Keys	1973-76	20.00 ea.



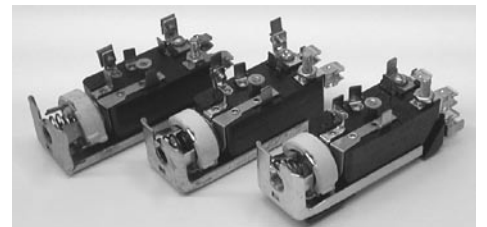
C5AZ-11572-B



B5A-11572-A

HEADLIGHT SWITCH

B5T-11654-A	Headlight Switch	1955	57.50 ea.
B6T-11654-A	Headlight Switch	1956-57	57.50 ea.
B9AF-11654-A	Headlight Switch	1958-59	85.00 ea.
B9AF-11654-A	Headlight Switch - Except Convertible	1960	85.00 ea.



DASH KNOBS

1955-57

B4A-13305	Turn Signal Lever Knob - Black		5.00 ea.
-----------	--------------------------------	--	-----------------

1958

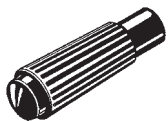
B7A-7001890-B	Air Vent Knob (2) per car	Black with Silver Insert	6.00 ea.
B7A-17513-B	Windshield Wiper On/Off Switch Knob - Can be used for Headlight switch knob by using your old shaft and removing old knob.	Black with Silver Insert	6.00 ea.
B7A-18513-A	Heater Blower Switch Knob	Black - No Insert	5.00 ea.
B7A-18519-A	Heater Temperature and Regulator - Control Knob (2) per car	Black - No Insert	5.00 ea.
B7A-18805	Radio Knob (2) per car	Black with Silver Insert	6.00 ea.
B7A-7023352-A	Window Crank Handle Knob	Black - No Insert	5.00 ea.
B7A-7213-B	Gear Shift Knob	Black - No Insert	4.50 ea.
B7A-13305-B	Turn Signal Lever Knob	Black - No Insert	4.50 ea.

1959

B8A-7001890-A	Air Vent Knobs (2) per car	White with Gold Insert	6.00 ea.
B8A-17513-A	Windshield Wiper On/Off Switch Knob - Can be used for Headlight switch knob by using your old shaft and removing old knob.	White with Gold Insert	6.00 ea.
B8A-18513-A	Heater Blower Switch Knob	White - No Insert	5.00 ea.
B8A-18519-A	Heater Temperature and Regulator - Control Knob (2) per car	White - No Insert	5.00 ea.
B9SF-19A603-A	Heater and Air Conditioner Control Knob - (2) per car - 1959	White with Gold Insert	10.00 ea.
B8A-18805	Radio Knob (2) per car	White with Gold Insert	6.00 ea.
B8A-7023352-A	Window Crank Handle Knob	White - No Insert	5.00 ea.
B8A-7213-W	Gear Shift Knob	White - No Insert	4.50 ea.
B8A-13305-W	Turn Signal Lever Knob	White - No Insert	4.50 ea.

1960

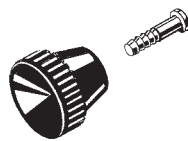
B9A-6301890-A	Air Vent Knob (2) per car	White with Silver Insert	6.00 ea.
B9A-17513-A	Windshield Wiper On/Off Switch Knob - Can be used for Headlight switch knob by using your old shaft and removing old knob.	White with Silver Insert	6.00 ea.
B8A-18513-A	Heater Blower Switch Knob	White - No Insert	5.00 ea.
B8A-18519-A	Heater Temperature and Regulator - Control Knob (2) per car	White - No Insert	5.00 ea.
COSF-19A603-A	Heater and Air Conditioner Control Knob-2 per car - 1960	White with Silver Insert	10.00 ea.
B9A-18805	Radio Knobs (2) per car	White with Silver Insert	6.00 ea.
B8A-7023352-A	Window Crank Knob	White - No Insert	5.00 ea.
B8A-7213-W	Gear Shift Knob	White - No Insert	4.50 ea.
B8A-13305-W	Turn Signal Lever Knob	White - No Insert	4.50 ea.



B7A-7213-B
GEAR SHIFT
KNOB



B4A-13305
TURN SIGNAL
KNOB



B7A-7023352-A
WINDOW CRANK
KNOB



B7A-17513-B
WIPER KNOB

B7A-18805
RADIO KNOB



B7A-18519-A
HEATER TEMP
CONTROL



B7A-18513-A
HEATER BLOWER
SWITCH KNOB

Ford Racing Technologies

used Dennis Carpenter restoration parts during the construction of their dynamic duo Fr100s.

These trucks are Ford's high-performance tribute to 55 years of F-Series truck enthusiasm and both are powered by FRT's hot new 5.0L Cammer Crate Engines.



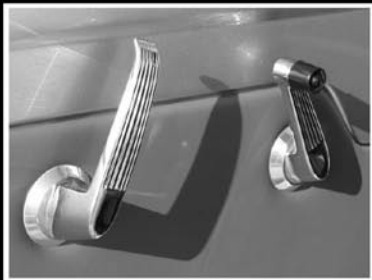
www.dennis-carpenter.com

Carpenter Parts Some of the parts used during construction include: 1953-55 door seals and window anti-rattle kits, door glass lift channels, windshield and rear glass seals, inside door and window crank handles, outside mirrors, hood bumper kit, door striker plates. Other Carpenter parts used but modified included front/rear fenders, running boards, and tailgate assembly.

The Body The list of modifications to the 1953 F100 was quite extensive which included lengthening the cab 6", shortening the bed a like amount, moving the front axle center 5" forward, widening the rear fenders, reshaping the wheel well openings and filling unwanted holes, vents, and seams. The hood and doors remain essentially stock.

5.0 L Cammer Crate Engine

The Ford SVT 4.6L-4V engine serves as the foundation for the Cammer Crate Engine. Key differences include larger cylinders, forged pistons, 11.0:1 compression ratio, ported heads, higher lift cams, higher flow fuel injectors, and magnesium intake manifold. All this delivers 425-430 H.P. at 6700 rpm.

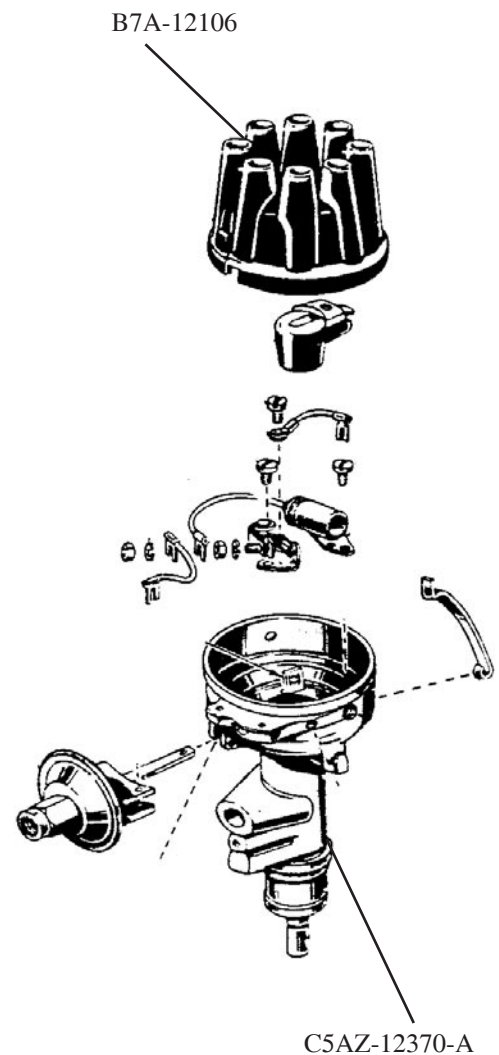


4140 Concord Parkway So., Concord, NC 28027 Tel. 704-786-8139 Fax. 704-786-8180 E Mail. Info@dennis-carpenter.com

DISTRIBUTOR PARTS

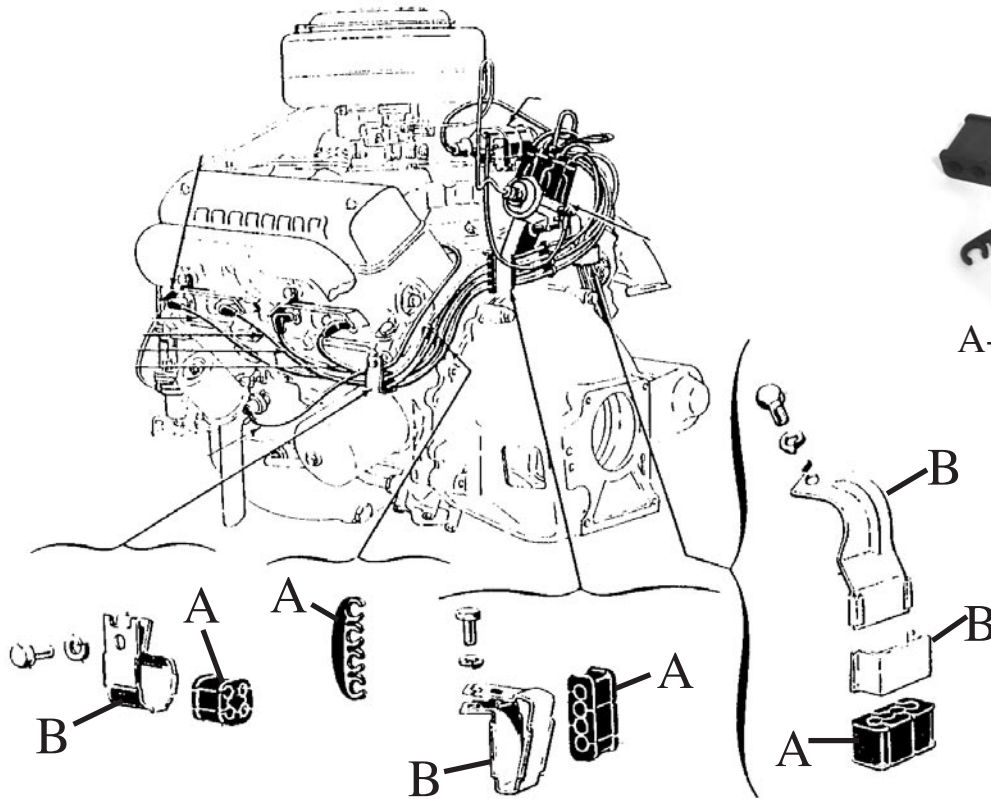
B7A-12000-1281	Solid State electronic Ignition System (replaces points & condenser) - Fits: V-8, 1957-74 all except with dual points	1957-74	78.00 ea.
8BA-12029	Ignition Coil	1955	25.00 ea.
B6A-12029	Ignition Coil - Replacement - Except with transistorized ignition system	1956-66	22.00 ea.
B6AZ-12029	Ignition Coil - Original Mustard Colored Top - Except with transistorized ignition system	1956-66	35.00 ea.
C0TZ-12000-A	Ignition Tune-up Kit (points, condenser & rotor)	1957-66	18.00 ea.
FAB-12171-A	Points	1955-56	8.00 ea.
B8Q-12171-A	Points	1957-66	10.00 ea.
FAA-12200-B	Rotor	1955-56	3.00 ea.
B7A-12200	Rotor	1957-66	5.00 ea.
B7A-12300-C	Condenser for V8	1957-59	5.00 ea.
FAB-12300-A	Condenser - Replacement Type	1955-56	6.00 ea.
B9AZ-12300-A	Condenser	1960-66	6.00 ea.
FAB-12106-A	Distributor Cap	1955-56	15.00 ea.
B7A-12106	Distributor Cap	1957-66	8.00 ea.
C0DF-12216-A	Distributor Primary Lead Wire	1955-56	13.00 ea.
7RA-12264	Distributor Ground Lead Wire	1955-56	2.00 ea.
B6A-12250-C	Ignition Coil Resistor - 12 volt	1956-57	14.00 ea.
C5AZ-12370-A	Distributor Vacuum Diaphragm	1965-72	20.00 ea.
<p>Fits distributors with these ID numbers: C5AF-12127-A-B-C-M-N-BG, C5GF-12127-A-B-C, C5JF-12127-A, C5SF-1217-B, C5TF-12127-A-B-C, C5UF-12127-B, C5ZF-12127-J, C6AF-12127-A-B-C-D-E-J-K-L-M-S-T-U-V-AG-AH-AJ-AK-BA, C6MF-12127-A, C60F-12127-E-F-G-H-J, C6SF-12127-B-D, C6TF-12127-G-H-AA-AB-BH-BJ, C6ZF-12127-A-B, C7AF-12127-A-B-C-D-E-F-H-J-L-M-N-T-U-V-Z-AA-AC-AD-AE-AF-AG-AH, C7MF-12127-A-G-H, C70F-12127-A-B-D-E-F-G-H-J, C7SF-12127-A-B-C-E-F, C7TF-12127-A-D-F-M-T, C7ZF-12127-A-B-C-D-E-F-G-H, C8AF-12127-J-Y-AD, C8DF-12127-G-H, C80F-12127-G-J, C8TF-12127-H-L, C8UF-12127-G-H, C8VF-12127-A, C8ZF-12127-D, C9AF-12127-J-K-M-N, C90F-12127-M-N-T-Z, C9UF-12127-C-D, D0AF-12127-Z, D00F-12127-M-N-R-U, D0TF-12127-G-K, D0ZF-12127-G, D1ZF-12127-FA, D1TF-12127-EA, D1UF-12127-A</p>			
D5AZ-12370-B	Distributor Diaphragm Assembly - w/460 V8	1976	25.00 ea.
FAE-12390-A	Distributor Driven Gear 14 teeth for V-8	1955-57	15.00 ea.
B-12145	Rivet For Distributor Cap Clip	1955-57	1.00 ea.

V8 Distributor



SPARK PLUG WIRES

B5A-12259	Spark Plug Wire Set with Weatherproof Ends - V-8, 292-312 Like Original	1955-57	70.00 set
D1AZ-12259-F	Spark Plug Wires - 292, 312 - graphic core	1955-57	38.00 set
C5AZ-12259-F	Spark Plug Wires - 352, 390 - graphic core	1958-60	55.00 set
FAA-12111-2K	Spark Plug Wire Mounting Bracket Kit - 292, 312	1955-57	25.00 kit
FAA-12297-K	Spark Plug Wire Mounting Rubber Grommets - 292, 312	1955-57	20.00 set
B5A-12299-A	Spark Plug Metal Shields - 292, 312 (need 4 per car)	1955-57	6.00 ea.
B5C-12405-A	Spark Plug - Champion 18MM	1955-57	3.50 ea.
B7A-12405-A	Motorcraft Spark Plug - BSF6	1955-64	1.00 ea.

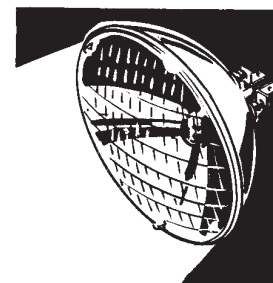


HEADLIGHT BULBS

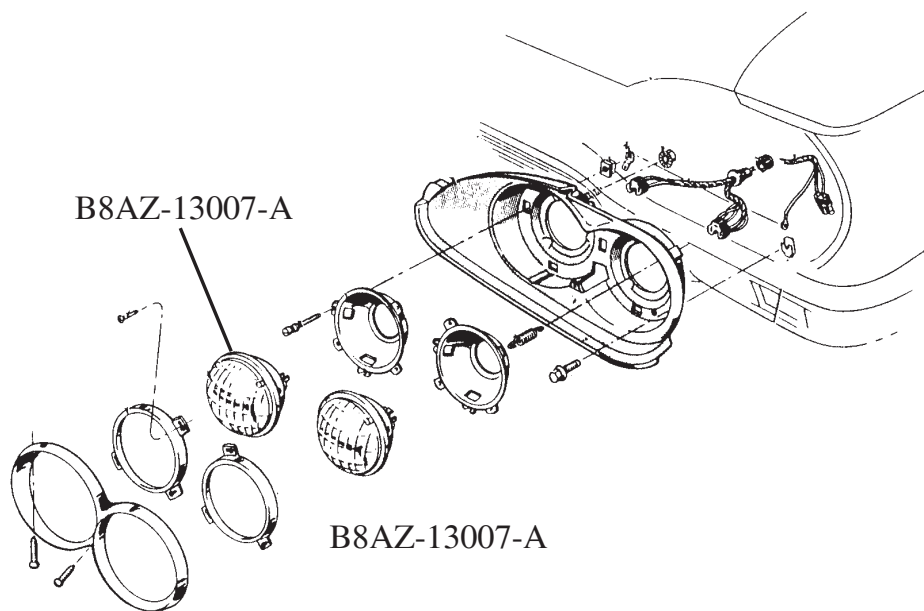
B5AF-13007	Headlight Bulb	1955	15.00 ea.
B6A-13007	Headlight Bulb	1956-57	7.00 ea.
B8AZ-13007-A	Headlight Bulb - Low Beam/Outer	1958-66	7.00 ea.
B8AZ-13007-B	Headlight Bulb - High Beam/Inner	1958-66	7.00 ea.
01A-13018-C	Headlight Bulb Retainer Ring - Stainless Replacement	1955-57	10.00 ea.
01A-13018-SS	Headlight Bulb Retainer Ring - Stainless	1955-57	15.00 ea.
C20Z-13031-A	Headlight Adjusting Ring Retainer Spring	1964-65	2.00 ea.
C6AZ-13031-C	Headlight Adjustment Spring	1970-72	1.00 ea.
11A-13044	Headlight Bulb Bucket to Fender Gasket	1955-57	3.50 ea.
B8A-13044-A	Headlight Bulb Bucket to Fender Gasket	1958-60	3.00 ea.
C1SZ-13064-A	Headlight Doors - Reproduction - Right or Left	1961-63	65.00 ea.
B5A-13076-A	Headlight Bulb Bucket Wires	1955-56	24.00 ea.
B9AF-13076-A	Headlight Bulb Wire Assembly w/ Socket -right or left - 24" long	1959-63	34.00 ea.



B5AF-13007



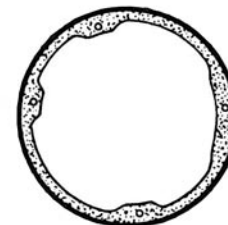
B5AF-13007



1965 Headlamp Parts



01A-13018-SS



11A-1304



Dennis Carpenter offers a complete line of Cushman Motor Scooter parts, tires, accessories, books, and manuals. We have in stock the largest supply of NOS, reproduction, and used parts in the nation.

Right in the heart of North Carolina, sits our Cushman store which displays some of the hundreds of parts and accessories that we have available to our customers. Adjacent to our showroom is a collection of restored and used motor scooters for sale to any interested buyer.

And we're always looking for Parts and Machines for sale. We BUY all makes, American or Import. If you are thinking of selling your collection call our information number at 704-782-1237 and ask to speak with one of our associates.

Our Cushman employees have a combined 50 plus years of Cushman expertise and knowledge. We know the Cushman motor scooter inside and out and can help with or solve virtually any scooter related problem our customers may have.



Call **1-800-763-4948**
to order a **FREE** catalog

FOR ORDERS
1-800-763-4948

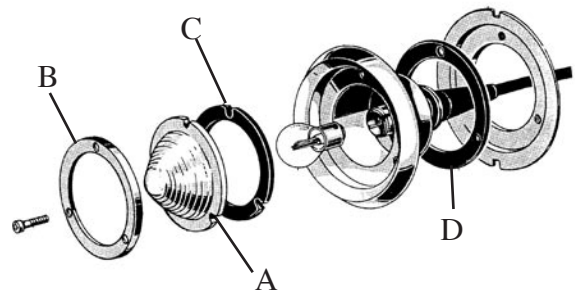
INFORMATION
704-782-1237

We have a Cushman staff that is always eager to help our customers. The Cushman family from left to right is Duane Douce, Kevin Norman, and Jason Young.

Visit us online at:
www.dennis-carpenter.com

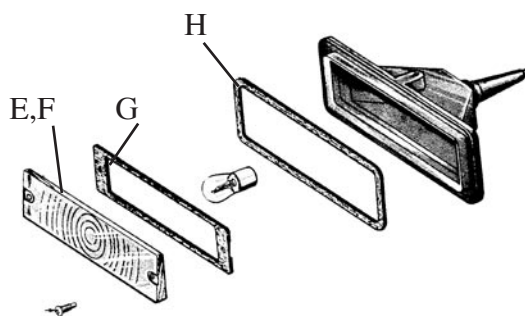
PARK LIGHT - 1955-56

FAG-13208	(A)	Park Light Lens	1955-56	9.50 ea.
B4AZ-13210-A	(B)	Park Light Rim	1955-56	17.50 ea.
FAG-13211-A	(C)	Park Light Lens Gasket	1955-56	4.00 pr.
B5S-13217-C	(D)	Park Light Body to Fender Pad	1955-56	10.00 pr.



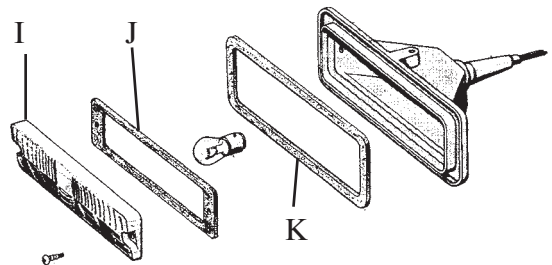
PARK LIGHT - 1957

 B7S-13208-A	(E)	Park Light Lens - Right Side - Ford Script	1957	10.00 ea.
 B7S-13209-A	(F)	Park Light Lens - Left Side - Ford Script	1957	10.00 ea.
B7S-13211-A	(G)	Park Light Lens Gasket	1957-60	6.00 pr.
B7S-13217-A	(H)	Park Light Body to Fender Pad	1957-60	6.00 pr.
B6A-13238-S		Park Light Lens Screws - Set of 4	1957-60	4.00 set



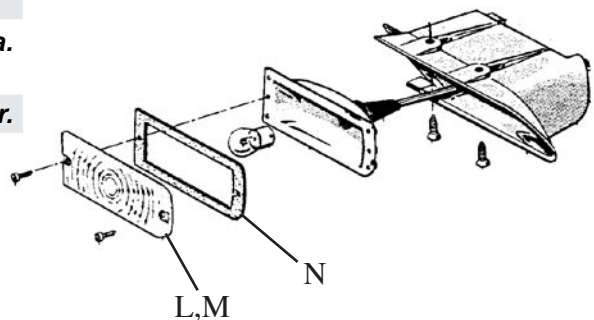
PARK LIGHT - 1958-60

B8S-13208-PR	(I)	Park Light Lens - Right or Left	1958-60	14.00 pr.
B7S-13211-A	(J)	Park Light Lens Gasket	1957-60	6.00 pr.
B7S-13217-A	(K)	Park Light Body to Fender Pad	1957-60	6.00 pr.
B6A-13238-S		Park Light Lens Screws - Set of 4	1957-60	4.00 set




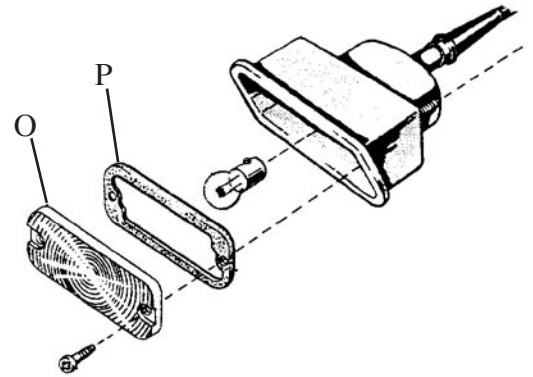
PARK LIGHT - 1961-63

C1SF-13208-A	(L)	Park Light Lens - Clear - Right or Left	1961-63	7.00 ea.
C3SZ-13208-A	(M)	Park Light Lens - Amber - Right or Left	1961-63	8.50 ea.
C1SF-13211-A	(N)	Park Light Lens Gasket	1961-63	4.00 pr.





PARK LIGHT 1961-65

C1SF-13208-A		Park Light Lens - Clear - Right or Left	1961-63	7.00 ea.
C3SZ-13208-A		Park Light Lens - Amber - Right or Left	1961-63	8.50 ea.
C40Z-13208-A		Park Light Lens - Amber - Right or Left	1964-65	6.50 ea.
C3AZ-13208-B	(O)	Park Light Lens - Clear - Right or Left	1964-65	6.50 ea.
				
C1SF-13211-A		Park Light Lens Gasket	1961-63	4.00 pr.
C1AB-13211-A	(P)	Park Light Lens Gasket	1964-65	4.00 pr.



PARK LIGHT - 1966

C6SZ-13208-A		Park Light Lens - Clear - Right Side - Ford Script	1966	30.00 ea.
				
C6SZ-13209-A		Park Light Lens - Clear - Left Side - Ford Script	1966	30.00 ea.
				
C6SZ-13211-PR		Park Light Lens Gasket	1966	5.00 pr.

PARK LIGHT - 1984-86

E4SZ-13201-A		Park Light Assembly in Amber - left - fits Cougar also	1984-86	10.00 ea.
--------------	--	--	---------	------------------

TURN SIGNAL PARTS

C1SZ-13310-A		Turn Signal Lever - Chrome	1961-62	15.00 ea.
FAB-13318		Turn Signal Cancelling Cam	1955-62	17.50 ea.
C4SZ-13A355-PR		Turn Signal Indicators - Fender Mounted	1964-65	84.00 pr.
C6SZ-13A355-PR		Turn Signal Indicators - Fender Mounted	1966	84.00 pr.

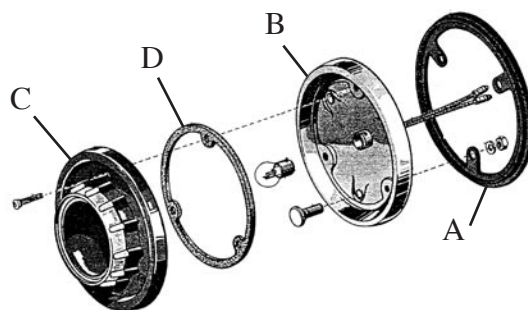


TAILLIGHT PARTS - 1955

B6A-13420-A	Taillight to Body Pads	1955-56	15.00 pr.
B5AZ-13434-A	Taillight Housing - Chrome	1955	40.00 ea.
B5A-13450-A	Taillight Lens - Ford Script	1955	15.00 ea.
			
B5A-13450-AX	Taillight Lens - No Ford Script	1955	10.00 ea.
B5A-13461-A	Taillight Lens to Housing Gasket	1955	5.00 pr.
B5A-13489-A	Taillight Lens - Chrome Sleeve	1955	13.50 ea.
B5A-13449-S	Taillight Lens Screws - Set of (6)	1955	6.00 set

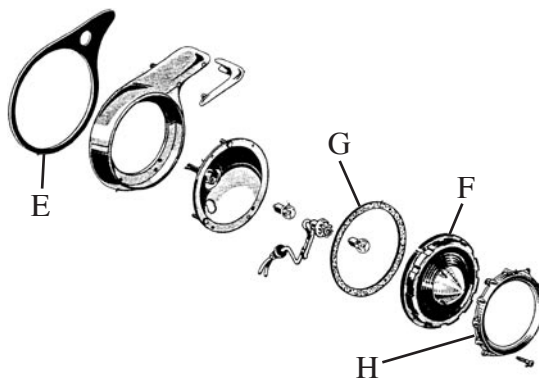
TAILLIGHT PARTS - 1956

B6A-13420-A	(A) Taillight to Body Pads	1955-56	15.00 pr.
B6AZ-13434-A	(B) Taillight Housing - Chrome	1956	40.00 ea.
B6A-13450-A	(C) Taillight Lens - Ford Script	1956	25.00 ea.
B6A-13450-AX	Taillight Lens - No Ford Script	1956	20.00 ea.
B6A-13461-A	(D) Taillight Lens to Housing Gasket	1956	5.00 pr.
B6A-13489-A	Taillight Lens - Chrome Sleeve	1956	16.00 ea.
B6A-13449-S	Taillight Lens Screws - Set of (6)	1956	6.00 set
B6A-13437-A	Backup Light Housing Reflector - RED	1956	5.00 ea.




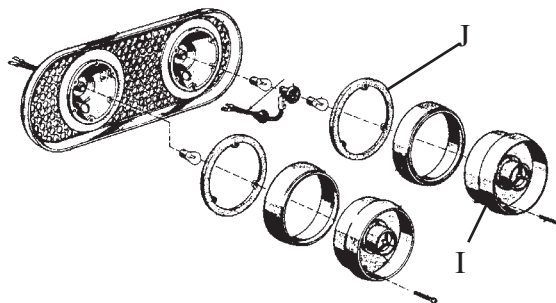
TAILLIGHT PARTS - 1957

B7A-13420-PR	(E) Taillight to Body Pads	1957	8.00 pr.
B7A-13450-B	(F) Taillight Lens w/ Back-up Light in Center - FoMoCo Script	1957	50.00 ea.
			
B7A-13461-PR	(G) Taillight Lens to Housing Gasket	1957	5.00 pr.
B7A-13489-A	Sleeve for Rear Taillight Lens (w/ no back-up lights)	1957	21.75 ea.
B7A-13489-B	(H) Sleeve for Rear Taillight Lens (with back-up light)	1957	25.00 ea.
B7A-13449-S	Taillight Lens Screws - Set of (8)	1957	7.00 set



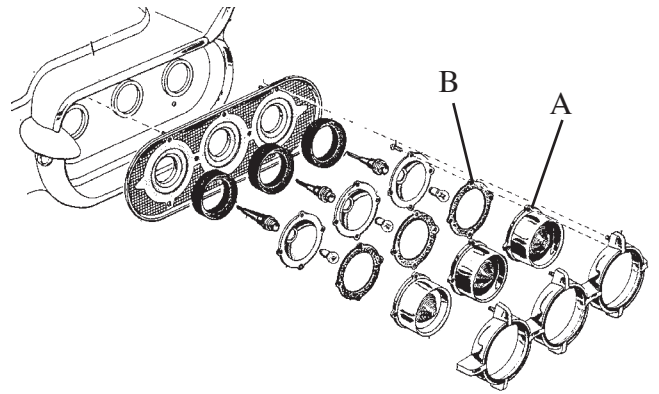
TAILLIGHT PARTS - 1958-59

B8S-13450-B	(I) Taillight Lens with Back-up Light in Center - (4) per car - Ford Script	1958-59	40.00 ea.
			
B8S-13461-S	(J) Taillight Lens to Housing Gasket - Set of (4)	1958-59	7.00 set
B9SF-13489-A	Taillight Lens Door	1958-59	20.00 ea.



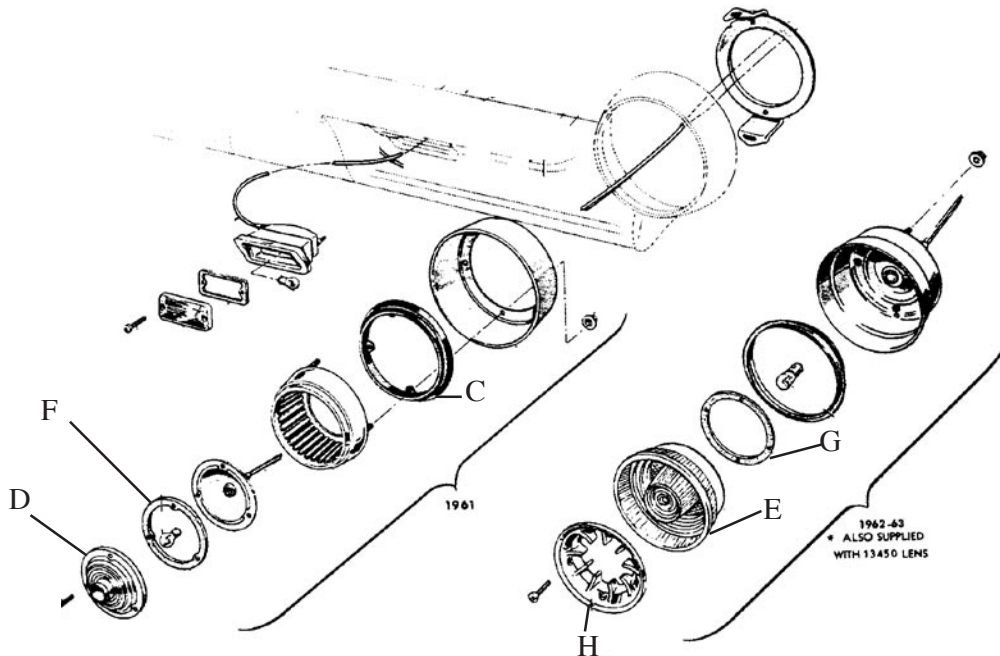
TAILLIGHT PARTS - 1960

COSF-13450-B	(A)	Taillight Lens - Ford Script	1960	25.00 ea.
COSF-13461-A	(B)	Taillight Lens to Housing Gasket - Set of (6)	1960	10.00 set



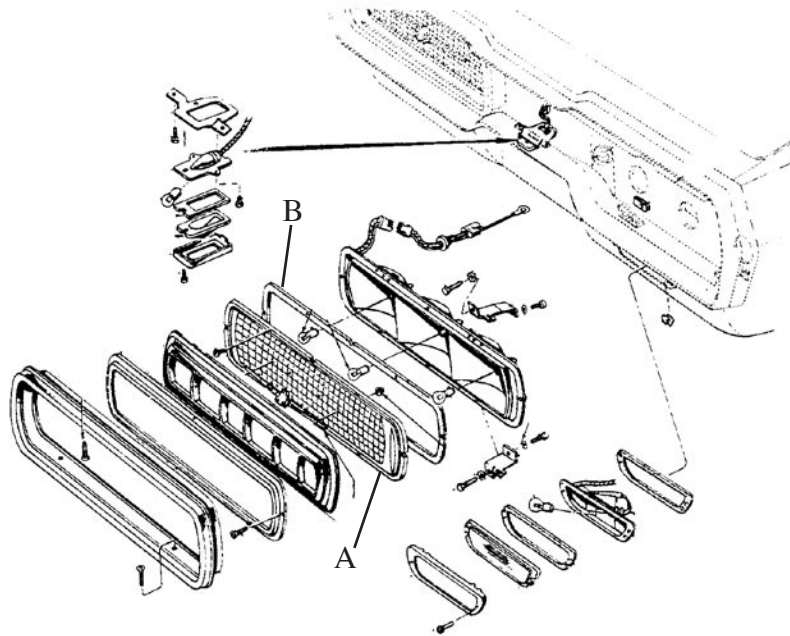
TAILLIGHT PARTS - 1961-63

C1SZ-13420	(C)	Taillight to Rim Gasket - Grey Rubber	1961	17.50 pr.
C1SZ-13450-A	(D)	Taillight Lens - Ford Script	1961	37.50 ea.
C2SZ-13450-A	(E)	Taillight Lens - Ford Script - without bezel	1962-63	42.50 ea.
C1SF-13461-A	(F)	Taillight Lens to Housing Gasket - Set of (2)	1961	4.00 pr.
C2SB-13461-A	(G)	Taillight Lens to Housing Gasket - Set of (2)	1962-63	4.00 pr.
C2SZ-13489-A		Taillight Lens Door	1962	15.00 ea.
C3SZ-13489-A	(H)	Taillight Lens Door	1963	38.00 ea.



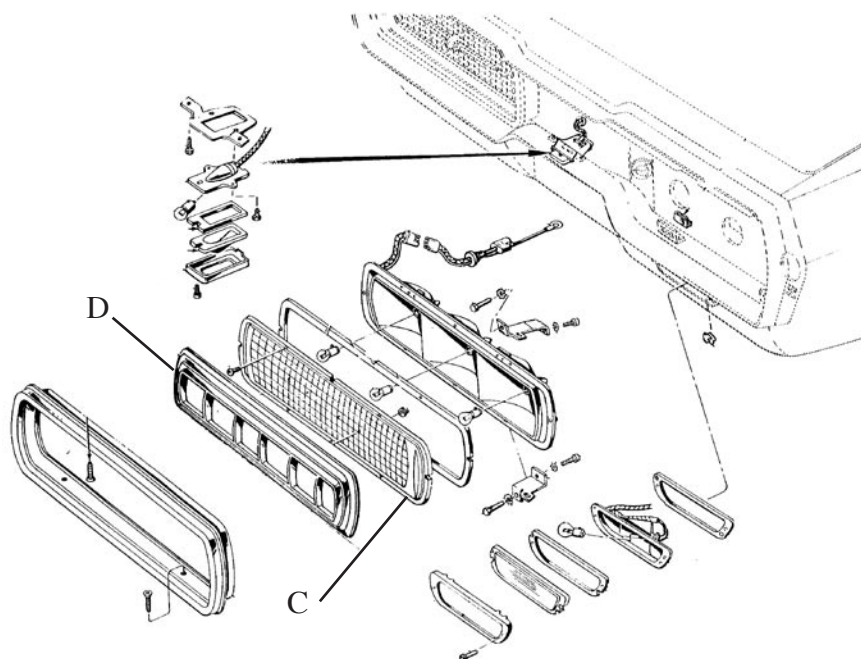
TAILLIGHT PARTS - 1964

C4SZ-13450-A	(A)	Taillight Lens	1964	75.00 ea.
C4SZ-13461-A	(B)	Taillight Lens to Housing Gasket - Set of (2)	1964-65	8.00 pr.



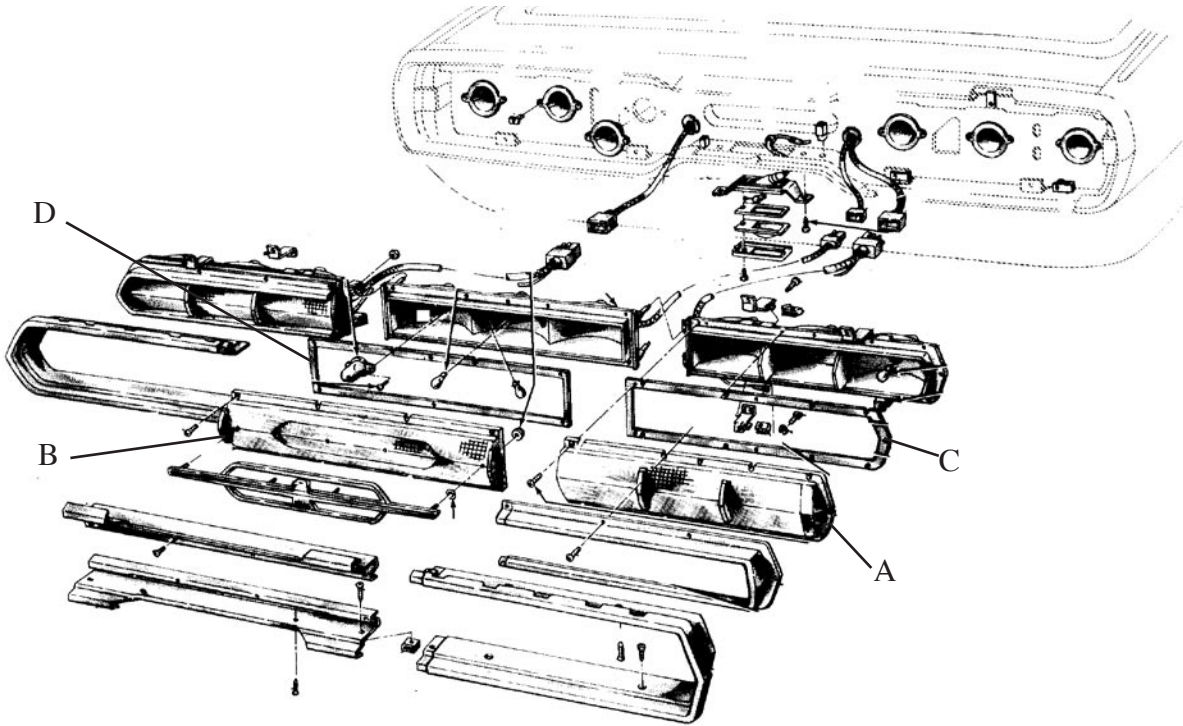
TAILLIGHT PARTS - 1965

C5SZ-13450-C	(C)	Taillight Lens	1965	37.50 ea.
C5SZ-13489-A	(D)	Taillight Lens Inner Bezel - Right or Left	1965	80.00 ea.



TAILLIGHT PARTS

C6SZ-13450-A	(A)	Taillight Lens - Right or Left	1966	75.00 ea.
C6SZ-13450-B	(B)	Taillight Lens - Center - with back-up light	1966	85.00 ea.
C6SZ-13461-PR	(C)	Taillight Lens to Housing Gasket - Right or Left Outer	1966	12.00 pr.
C6SZ-13461-B	(D)	Taillight Lens to Housing Gasket - Center	1966	6.00 ea.



STOP LIGHT SWITCH

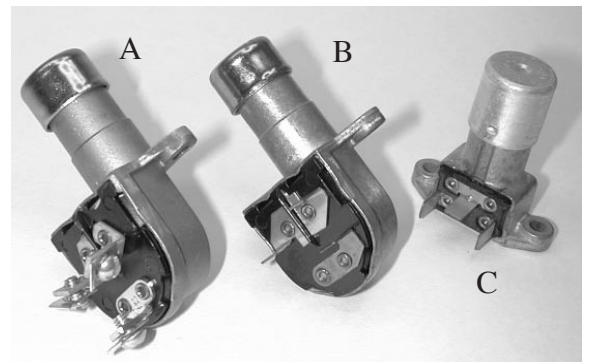
01A-13480	Brake Light Switch	1955-64	5.00 ea.
-----------	--------------------	---------	-----------------

GAS TANK DOOR BUMPERS

BA-13398-B	Gas Tank Door to Body Bumpers	1955-60	5.00 pr.
375838-S	Gas Tank Door to Body Bumpers	1964	2.50 pr.

HEADLIGHT DIMMER SWITCH

8A-13532	(A)	Headlight Dimmer Switch	1955-56	15.00 ea.
B7A-13532	(B)	Headlight Dimmer Switch	1957-60	14.00 ea.
B9A-13532-A	(C)	Headlight Dimmer Switch	1961-66	11.00 ea.
C5ZZ-13533		Headlight Dimmer Swith Rubber Cover		4.00 ea.



REAR LICENSE PLATE LAMP RELATED PARTS

C4AZ-13550-A	License Plate Lamp Assy.	1964-72	30.00 ea.
C4AZ-13560-A	License Plate Lamp Housing	1964-72	20.00 ea.
C50Z-13566-B	License Plate Lamp Cover	1966-71	5.00 ea.
C4AZ-13564-A	Rear License Plate Light Lens	1964-72	8.00 ea.
C7AZ-13568-A	Rear License Plate Light Lens Gasket	1964-72	1.00 ea.

DOME LIGHT

C80Z-13711-A	Instrument Panel Sockets	1968-72	2.00 ea.
8M-13713	Dome or Courtesy Light Switch for Door Post	1955-67	6.00 ea.
C4SZ-13776-B	Roof Interior pillar Light Assembly - 2 dr. Hardtop - (2) per car	1964-66	40.00 ea.
B8S-13783-B	Dome Light Lens - Hardtop	1958-60	5.50 ea.
C1SZ-13783-A	Pillar or Dome Light Lens (63A) 2 dr. Hardtop (65) 2 dr. Hardtop	1961-65 1966 1967-70	3.50 ea.
C0TF-13787-A	Dome Light Lens Bezel - Hardtop Chrome - Plastic	1958-60	17.50 ea.



B8S-13783-B



C1SZ-13783-A



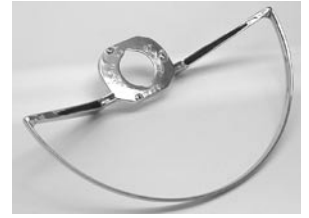
C0TF-13787-A



8M-13713

HORN RELATED PARTS

C9AZ-13A805-B	Horn Ring - Chrome - 2 spoke wheel - without speed control	1968-69	50.00 ea.
C20Z-13A821-A	Horn Blowing Ring Contact Brush Assembly	1961-66	5.00 ea.
7RA-13853	Horn Relay	1955	13.00 ea.
B6A-13853	Horn Relay	1956	17.50 ea.
B7A-13853	Horn Relay	1957	13.00 ea.
B8A-13853	Horn Relay	1958-63	15.00 ea.
C4AZ-13853-A	Horn Relay	1964	10.00 ea.



C9AZ-13A805-B
HORN BLOWING RING



B8A-13853
HORN RELAY

HORN SWITCH PARTS

D2AZ-13A875-A	Two-spoke wheel deluxe horn blow switch	1970-74	60.00 ea.
D3AZ-13A915-A	Horn Bar Switch Cover - Black Vinyl for 2 spoke wheel, standard wheel	1970-74	22.00 ea.
D3AZ-13A915-L	Horn Bar Switch Cover - Black Vinyl for 2 spoke wheel, deluxe wheel	1970-74	18.00 ea.
D3AZ-13A932-A	Horn Switch Trim Plate in Silver with woodgrain for 2 spoke wheel	1971-74	24.00 ea.
D1AZ-13A875-A	Horn Switch Assembly w/ 3 spoke wheel	1970-74	135.00 ea.
D1AZ-13875-C	Gap Cover for Rim Horn Switch - Black Plastic Cover that fits into groove cut at the bottom of the steering wheel and covers the gap between the ends of the rim horn switch	1970-74	10.00 ea.

D3AZ-13A915-A



D3AZ-13A932-A



D3AZ-13A915-L



D1AZ-13A875-A




D1AZ-13875-C

BATTERY CABLES

D1PZ-14303-A	Ground Strap - NOS - 12" - 4 Gauge	1966-70	10.00 ea.
--------------	------------------------------------	---------	------------------



WIRING HARNESS

B5S-13076-A	Headlight Socket Wire (Plastic) with Grommet - 27"	1955	30.00 ea.
B5S-13076-AM	Headlight Socket Wire (Molded) with Grommet - 27"	1956	26.00 ea.
B5S-13206-AR	Park Light Socket Wire with Turn Signal - Right Front	1955	34.00 ea.
B5S-13206-AL	Park Light Socket Wire with Turn Signal - Left Front	1955	34.00 ea.
B6S-13206-AR	Park Light Socket Wire with Turn Signal - Right Front	1956	24.00 ea.
B6S-13206-AL	Park Light Socket Wire with Turn Signal - Left Front	1956	24.00 ea.
FDH-13410-A	Taillight Socket - (2)-wire	1955	12.00 ea.
FDR-13410-A	Taillight Socket - (2)-wire	1956-57	12.00 ea.
B5S-13560-A	License Light Wire less Bracket - 54"	1955	7.00 ea.
B6S-13560-A	License Light Wire less Bracket - 26"	1956	10.00 ea.
B5S-13754-A	Map Light Socket Wire - 4"	1955	8.00 ea.
B6S-13754-A	Map Light Socket Wire - 4"	1956-57	10.00 ea.
FAC-13796-A	Dome Light Wire - 4"	1955	2.50 ea.
8M-14197	Metal Clip to Hold Wiring to Car	1955-56	3.00 ea.
FDL-14302-A	Coil to Distributor Wire - 15"	1955	4.00 ea.
14303-AR	Engine Ground Wire - 10"	1955-56	4.00 ea.
8A-14608	Main Wiring Grommet Retainer	1955-60	10.00 ea.
			
FEA-14309-A	Heater Switch to Heater Motor Wire Braided - 44"	1955	14.00 ea.
FEA-14309-AP	Heater Switch to Heater Motor - Plastic - 44"	1955	10.00 ea.
FEA-14309-AM	Heater Switch to Heater Motor - Plastic Molded - 44"	1956-57	16.00 ea.
B6S-14309-B	Ignition Switch to Heater Motor with Fuse - 44"	1956-57	18.00 ea.
B5S-14382-A	Overdrive Wire - 59"	1955	24.00 ea.
B5S-14401-A	Dash Wiring - Using Generator & Oil Light	1955	445.00 ea.
B6S-14401-A	Dash Wiring - Using Generator & Oil Light	1956	436.00 ea.
B7S-14401-A	Dash Wiring - Using Generator & Oil Light	1957	600.00 ea.
B5S-14405-B	Body Wiring with Turn Signal Wire	1955	80.00 ea.
FEF-14405-G	Body Wiring with Turn Signal Wire	1956	100.00 ea.
B7S-14405-C	Body Wiring with Turn Signal Wire	1957	125.00 ea.
B5S-14445-D	Headlight Crossover with Generator & Signal Wires	1955	52.00 ea.
B6S-14445-MU	Headlight Crossover with Generator & Signal Wires	1956	62.00 ea.
B7S-14445-A	Park & Turn Crossover Wire	1957	24.00 ea.
B5S-14476-A	Neutral Safety Switch Wire	1955	17.00 ea.
FEF-14476-A	Neutral Safety Switch Wire	1956-57	28.00 ea.
B-14564	Bullet Splicer - Black Rubber Sleeved	1955-57	.50 ea.
59A-14487	Double Splicer - 4-way Connection	1955-57	2.00 ea.

WIRING HARNESS

FEF-14322-A	Oil Sender to Cowl Wiring - 28"	1956-57	8.00 ea.
FDR-14495-A	Ignition Coil to Ignition Resistor Wire - 3.5"	1956-57	4.00 ea.
B5S-14590-B	Instrument Ground Jumper Wire	1955-56	10.00 ea.
B5S-14593-A	Seat Motor - Horizontal Regulator Wire	1955	22.00 ea.
B6S-14593-A	Seat Motor - Horizontal Regulator Wire	1956	24.00 ea.
B6S-14593-B	Seat Motor - Vertical Regulator Wire	1956-57	18.00 ea.
FEA-14626-A	Seat Circuit Breaker to Ignition Switch Wire	1956	4.00 ea.
FEA-14628-A	Seat Circuit Breaker to Circuit Breaker Wire	1955	10.00 ea.
B5S-14630-A	Electric Window Wire - Right Side	1955	60.00 ea.
B6S-14630-B	Electric Window Wire - Right Side	1956	82.00 ea.
B7S-14630-A	Electric Window Wire - Left Side	1957	76.00 ea.
B5S-14631-A	Electric Window Wire - Left Side	1955	80.00 ea.
B6S-14631-B	Electric Window & Seat Wire - Left Side	1956	112.00 ea.
B7S-14631-B	Electric Window & Seat Wire - Left Side	1957	92.00 ea.
B5S-14643-A	Seat Regulator Relay Wire	1955	42.00 ea.
B6S-14643-A	Seat Regulator Relay Wire	1956	64.00 ea.
B7S-14643-A	Seat Regulator Relay Wire	1957	52.00 ea.
B6S-14679-A	Electric Window Motor Relay to Regulator Wire	1956	24.00 ea.
FEA-14682-A	Seat Circuit Breaker to Starter Solenoid Wire	1955	6.00 ea.
FEF-14682-A	Seat Circuit Breaker to Starter Solenoid Wire	1956-57	8.00 ea.
B5S-14689-A	Seat Regulator Switch Wire	1955	36.00 ea.
B6A-15026-A	Electric Clock Feed Wire with Fuse Holder	1956-57	18.00 ea.
B5S-15506-A	Back-up Light Wire - 2 black/red wires	1955	14.00 ea.
FDR-15525-A	Back-up Light Wire - 1 black/red wire	1955	6.00 ea.
FEA-15536-A	Back-up Light Socket Wire - Less Socket	1955	4.00 ea.
FDR-15536-A	Back-up Light Socket Wire - Less Socket - 13"	1956	4.00 ea.

ELECTRICAL GLASS FUSES AND CIRCUIT BREAKER

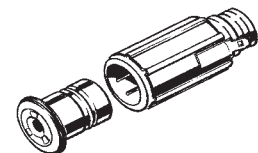
B6AZ-14526-B	Electrical Glass Fuses - AGA 5 - Box of 5		5.00 box
B9AF-14526-A	Electrical Circuit Breaker - 12 Amp. - instrument panel wiring - windshield wipers	1958-59 1961-62	17.50 ea.

FOG LAMPS

E7SZ-15200-A	Fog Lamp Assembly w/ Turbo	1987-88	150.00 ea.
--------------	----------------------------	---------	------------

CIGAR LIGHTER ELEMENT AND WELL ASSEMBLY

B6C-15055	Cigar Lighter Element & Well Assembly - 12 volt	1956-66	15.00 ea.
-----------	---	---------	-----------






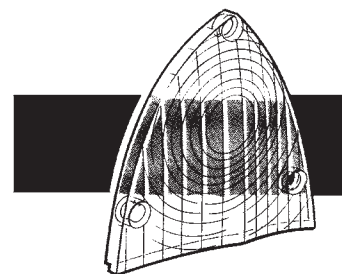
B6C-15055

SIDE MARKER LAMP RELATED PARTS

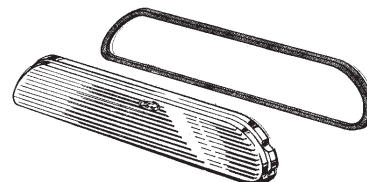
E7SZ-15A201-A	Front Fender (w/ Side Corner Lamp) Marker Lamp Assembly - Right Side	1987-88	10.00 ea.
C9AZ-15A440-A	Quarter Body Side Marker Lamp Bezel - Right or Left	1969	15.00 ea.
E9SZ-15A440-C	Side Marker Lamp Bezel for Super Coupe - Right Side	1989-91	30.00 ea.

BACK-UP LIGHT PARTS

B5A-15510	(A)	Back-up Light Lens Gasket	1955	4.00 pr.
B5A-15510-B		Back-up Light Cover Gasket - Rubber Used without back-up lights	1955	9.00 pr.
B6A-15510	(B)	Back-up Light Lens to Housing Gasket	1956	4.00 pr.
C1SF-15510-A		Back-up Light Lens to Housing Gasket	1961-63	4.00 pr.
C4SZ-15510-B		Back-up Light Lens to Housing Gasket	1964-66	5.00 pr.
C4SZ-15513-B		Back-up Light Bezel - Foreign Made	1964-65	20.00 ea.
B5A-15514-A	(C)	Back-up Light Lens - Ford Script	1955	10.00 ea.
 B5A-15514-B		Back-up Light Lens	1956	10.00 ea.
 C0SF-15514-C		Back-up Light Lens	1960	35.00 ea.
C1SF-15514-A		Back-up Light Lens	1961-63	5.00 ea.
 C4SZ-15514-B		Back-up Light Lens - Glass Ford Script	1964-65	20.00 ea.
B6A-15515-PR	(D)	Back-up Light Housing Only	1956	115.00 pr.
B5A-15533-A	(E)	Back-up Light Housing to Body Gasket	1955	7.00 pr.
B6A-15533-A	(F)	Back-up Light Housing to Body Gasket	1956	5.00 pr.
C4SZ-15533-B		Back-up Light Housing to Body Gasket	1964-66	5.00 pr.
B6A-13437-A		Back-up Light Housing Reflector - Red	1956	5.00 ea.

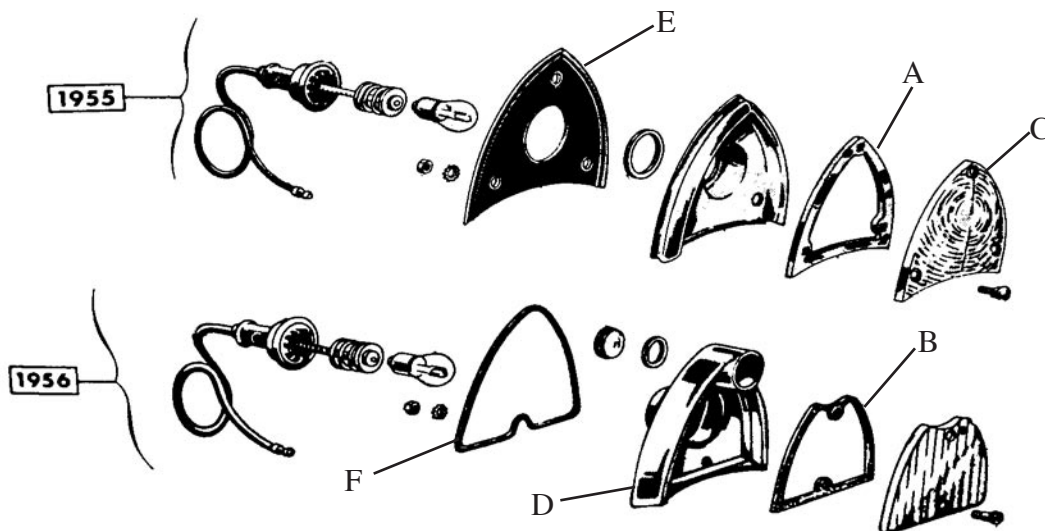


B5A-15514-A



C4SZ-15510-B

C4SZ-15514-B



LAMP ASSEMBLY

C2RZ-15A700-A	Engine or Trunk Lamp Assembly	1961-Up	35.00 ea.
---------------	-------------------------------	---------	------------------

FRONT FENDER ASSEMBLY

E4SZ-16005-A	Front Fender RH - T-Bird and Cougar	1983-86	200.00 ea.
E7SZ-16005-A	Front Fender RH - T-Bird and Cougar - w/o cornering lamps	1987-88	200.00 ea.
E7SZ-16005-B	Front Fender RH - T-Bird and Cougar w/ cornering lamp	1986-88	200.00 ea.

THUNDERBIRD NAME PLATE

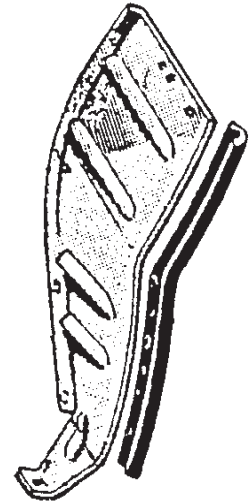
C1SB-16098-A	Thunderbird Name Plate - Mounts on front fenders - Mounts on spare wheel carrier - Mounts on doors - Mounts on front fenders - With Fasteners	1957-58 1957-60 1959 1961-62	30.00 ea.
--------------	---	---------------------------------------	------------------



FRONT FENDER WEATHERSTRIPPING

B5S-16110	Front Fender Rear Splash Shield Weatherstrip Complete with installing staples	1956-57	7.00 pr.
B5S-16254	Front Fender Apron to Frame Front Weatherstrip Complete with installing staples	1955-57	4.50 pr.

B5S-16110
FRONT FENDER
REAR SPLASH
SHIELD
WEATHERSTRIP



FENDER EMBLEMS AND ORNAMENTS

- NO MOUNTING HARDWARE

B8AZ-16178-A	Front Fender Top Ornament - (2) per car - Imported	1958	100.00 ea.
B9AB-16178-B	Front Fender Top Ornament - (2) per car - Imported	1959	100.00 ea.
BM-16237-PR	V-8 Emblem for Side of Front Fender	1955	30.00 pr.



C1SZ-16607-B



C5SZ-16637-A

HOOD FRONT EMBLEM

C1SZ-16607-B	Hood Front Emblem Plastic Insert	1961-63	25.00 ea.
C5SZ-16637-A	Hood Front Thunderbird Emblem	1965	45.00 ea.

COWL LACING KITS

B5S-16740	Cowl Lacing Kit	1955-57	6.00 ea.
B8S-16740-A	Cowl Lacing Kit	1958-60	7.00 ea.
C1SZ-16740-S	Cowl Lacing Kit	1961-66	11.00 ea.

Note: All of the above compete with installing staples

HOOD BUMPERS

B7A-16758-A	Side of Hood to Fender Bumpers - Set of (4)	1957-60	7.00 set
C4DZ-16758-S4	Hood Bumper on Fender - Push in Type - Set of (4)	1964	6.00 set
C2SZ-16763-A	Hood Bumper on Fender - Wedge Shape - Set of (4) Screw on type 1-1/2" long	1961-62 1965-66	11.00 set
C4SZ-16763-A	Front of Hood to Radiator Support Reinforcement Bumper - Stud with rubber tip - 3/8" x 24 threads	1961-65	9.00 pr.
C5ZZ-16763-B	Front of Hood to Radiator Support Reinforcement Bumper - Stud with rubber tip - 5/16" x 18 x 1-1/4" long	1966-69	10.00 pr.
B5A-16769	Top of Cowl to Hood Bumper - 3/8" x 24 Threads	1958-60	7.00 pr.



C4DZ-16758-S4
HOOD BUMPER



C2SZ-16763-A
HOOD BUMPER



C4SZ-16763-A &
C5ZZ-16763-B
SUPPORT BUMPER



C5ZZ-16763-B



B7A-16758-A

HOOD LOCK CAM BUMPER

B7A-16993-A	Hood Lock Cam Bumper - (2) per car	1958-60	1.50 ea.
-------------	------------------------------------	---------	-----------------

JACK AND RELATED PARTS

D20Z-17088-D	Jack Base	1972-86	7.50 ea.
D9AZ-17080-A	Jack Assembly	1979	40.00 ea.

INSTRUMENT LENS SEAL KIT

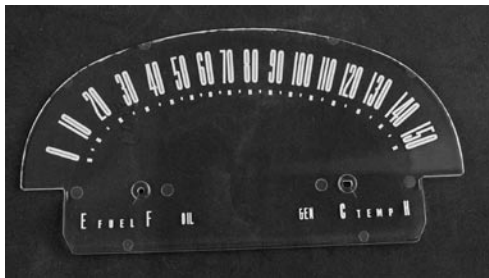
B6A-17248-S	Instrument Cluster Lens Seal Kit - Set of (5) - Seals for gauges & speedometer lens	1957	5.50 kit
-------------	---	------	-----------------

SPEEDOMETER CABLE AND HOUSING

C5DZ-17260-A	Speedometer Cable Assembly for 3 spd manual and C/M & C4 A/T (63 1/2")	1964-65	25.00 ea.
--------------	--	---------	------------------

SPEEDOMETER FACE DIAL

B5S-17265-A	Speedometer Face Dial	1955-56	34.50 ea.
-------------	-----------------------	---------	------------------



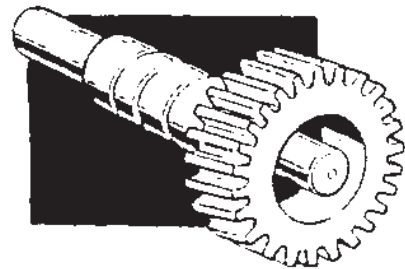
B5S-17265-A

SPEEDOMETER CABLE CONNECTOR AND CLIP

B5A-17306-B	Speedometer Connector and Spring Clip	1955-56	10.00 ea.
-------------	---------------------------------------	---------	------------------

SPEEDOMETER DRIVEN GEAR

C0DZ-17271-A	Speedometer Drive Gear - 16 teeth	1964-66	10.00 ea.
C3DZ-17271-C	Speedometer Drive Gear - 17 teeth	1964-66	10.00 ea.
C0DD-17271-B	Speedometer Drive Gear - 18 teeth	1965-66	10.00 ea.
C7VY-17271-A	Speedometer Drive Gear - 19 teeth	1965-66	10.00 ea.
C1DZ-17271-A	Speedometer Drive Gear - 20 teeth	1965-66	10.00 ea.
C30Z-17285-C	Speedometer Drive Gear in Steel - 7 teeth - RH Helix	1965-72	55.00 ea.
C1DZ-17292-A	Speedometer Driven Gear Retainer Clip	1957-66	1.00 ea.
B5A-17322-A	Speedometer Driven Gear - 20 teeth	1955-56	10.00 ea.
B5A-17322-B	Speedometer Driven Gear - 21 teeth	1955-56	10.00 ea.
B5A-17322-C	Speedometer Driven Gear - 19 teeth	1955-56	10.00 ea.
B5A-17322-D	Speedometer Driven Gear - 22 teeth	1957	10.00 ea.
B5A-19581-A	Speedometer Cable Lube - comes in tube		5.50 ea.



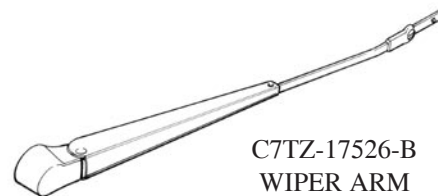
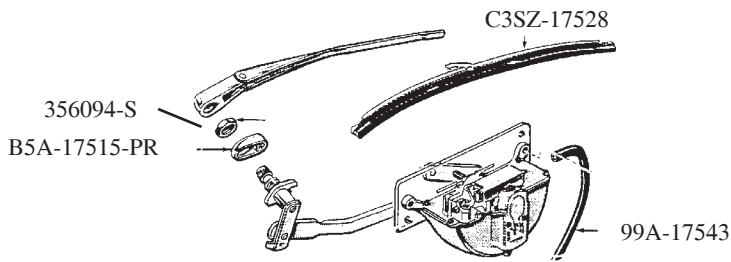
B5A-17322-A
SPEEDOMETER DRIVEN GEAR



C3DZ-17271-C

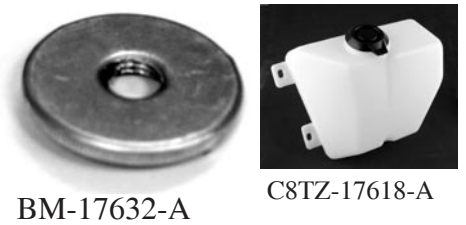
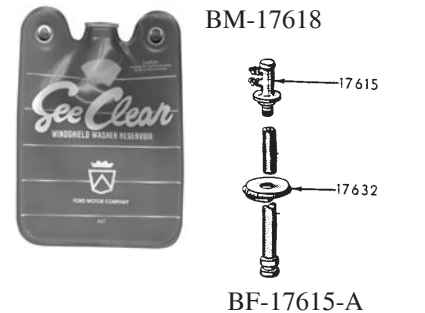
WIPER PARTS

D30Z-17513-B	Wiper Switch Knob - T-Bird, Cougar - Chrome - Plastic	1974-76	12.00 ea.
B5A-17514-PR	Wiper Pivot Shaft Bezel Spacer	1955-57	25.00 pr.
B2AZ-17526-A	Wiper Arm Replacement by Trico	1955-60	25.00 ea.
C7TZ-17526-B	Wiper Arm Replacement by Trico	1961-66	18.00 ea.
B2T-17528-A	Wiper Blade Replacement by Trico	1955-57	12.00 ea.
C30Z-17528-D	Wiper Blade Replacement by Trico	1961-62	13.00 ea.
C3SZ-17528-A	Wiper Blade Replacement by Trico	1963-66	11.00 ea.
BA-17541	Wiper Pivot Bezel to Cowl Gasket	1955-57	3.00 pr.
99A-17543	Wiper Hose - 1/4" Diameter - priced per foot - Non Returnable		.75 ft.
356094-S	Wiper Pivot Shaft Nut	1955-57	5.00 ea.
370695-S	Wiper Pivot Shaft Nut	1958-65	5.00 ea.



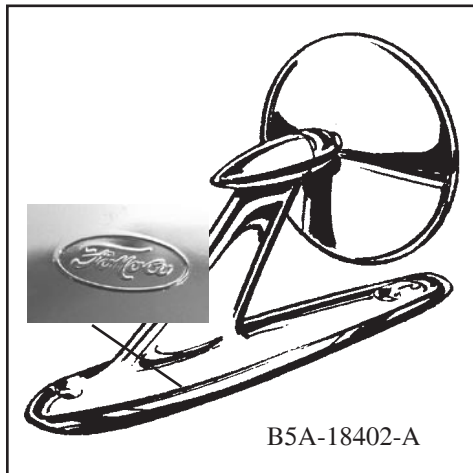
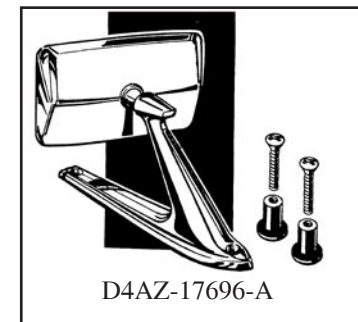
WINDSHIELD WASHER PARTS

C7SZ-17A601-A	Washer Hose Tee in Plastic	1967-69	3.00 ea.
BF-17615-A	Windshield Washer Top Tee Assembly	1955-57	27.50 ea.
BM-17618	Windshield Washer Reservoir Bag - w/ cap	1955-57	30.00 ea.
C1AZ-17618-D	Windshield Washer Reservoir Bag - w/ cap	1961-63	30.00 ea.
C1AZ-17618-E	Windshield Washer Reservoir Bag - w/ cap	1958-60 1964-67	30.00 ea.
C8TZ-17618-A	Windshield Washer Reservoir	1970	25.00 ea.
BM-17632-A	Windshield Washer Reservoir Cover	1955-57	5.00 ea.
C7AZ-17632-A	Windshield Washer Reservoir Cover or Cap - (fits C70Z-17618-A washer jug)	1968-70	3.00 ea.
C1AZ-17664-C	Windshield Wiper Washer Pump	1961-67	45.00 ea.
B5S-17666-A	Windshield Washer Nozzles	1955-57	12.00 ea.
C8SZ-17664-A	Windshield Washer Nozzles w/ Washer Pump	1968-70	40.00 ea.
B8S-17632-A	Windshield Washer Reservoir Cover - For C1AZ-17618-E Bag	1958-60 1964-67	5.00 ea.



MIRRORS

C2SZ-17690-F	Inside Rear View Mirror Arm	1961-66	27.00 ea.
C1SZ-17696-B	Outside Rear View Mirror - Universal type - round head - Paper Pad & Hardware Included - right or left - FORD Script on Back	1961-62	70.00 ea.
C5AZ-17696-F	Outside Rear View Mirror - Rectangular Head - right or left - Pad & hardware Included	1966	80.00 ea.
D4AZ-17696-A	Outside Rear View Mirror - Rectangular Head - right or left - Pad & Hardware Included	1972 1977-79	75.00 ea.
B6A-17696-A	Outside Rear View Mirror - 2 holes - Right or Left - Round Head Pad & Hardware Included	1955-64	60.00 ea.
B5A-18402-A	Outside Rear View Mirror with Ford Script - 2 holes - Right or Left - Round Head Pad & Hardware Included - Mfg. USA	1955-64	75.00 ea.
C1SZ-17700	Inside Day/Night Rear View Mirror with see- saw knob (Mirror Head Only)	1961-66	50.00 ea.
C4SZ-17700-A	Inside Day/Night Rear View Mirror with twist knob (Mirror Head Only)	1961-66	50.00 ea.
C1SZ-17724-A	Mirror Pad - Plastic - For C1SZ-17696-B		5.00 ea.
C5AZ-17724-A	Mirror Pad for C5AZ-17696-F		8.00 ea.



BUMPER BOLTS

B9A-17758	Bumper Bolts - 7/16" x 14" x 1 3/4"	1955-65	3.00 ea.
-----------	-------------------------------------	---------	----------

REAR BUMPER EMBLEM - NO MOUNTING HARDWARE

C4SZ-17B850-A	Rear Bumper Name Plate and Emblem	1964	55.00 ea.
C5SZ-17B850-C	Rear Bumper Emblem	1965	55.00 ea.
C4SZ-17B851-A	Rear Bumper Emblem Retainer Plate	1964-65	14.00 ea.



WINDSHIELD DEFROSTER HOSE NOZZLE SEAL

B5S-18490-PR	Windshield Defroster Hose Nozzle Seal - Spliced endless like original	1955-57	7.00 pr.
--------------	--	---------	----------

DEFROSTER HOSE

ORDER BY SIZE & LENGTH - NON RETURNABLE

8H-18556-B	Defroster Hose	1-3/4" I.D. - sold by the foot	6.25 ft.
FAB-18556-D	Defroster Hose	2" I.D. - sold by the foot	9.00 ft.
B5A-18556-C	Defroster Hose	2-1/2" I.D. - sold by the foot	10.00 ft.

HEATER PARTS

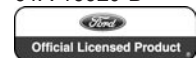
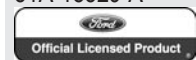
APA-18472-A	Heater Hose - 5/8" black - sold by the foot	ALL	1.00 ft.
B5A-18495-A	Heater Water Control Valve Assembly on Block	1955-57	85.00 ea.
B7A-18495-E	Heater Control Valve (Vacuum Shut Off)	1958-60	35.00 ea.
C5TZ-18527-A	Heater Fan Motor without A/C	1966-76	90.00 ea.
C1SF-18A566-A	Heater or Air Conditioner Air Inlet Collar & Connector Assembly	1961-63	42.50 ea.
BPA-18572	Heater Hose Clamp - 5/8"	ALL	1.00 ea.
B6A-18489-A	Heater Square Connecting Duct Connects heater to blower duct	1955-57	15.00 ea.
B5A-18584-A	Heater Round Connecting Duct Connects blower to air valve	1955-57	15.00 ea.
B7A-18495-A	Heater Water Control Valve Assembly (Vacuum)	1958-60	75.00 ea.
FAB-19203-A	Hot Water Header Door Knob - Black Plastic	1955-57	7.50 ea.
B9SF-19A603-A	Heater and Air Conditioner Control Knob - (2) per car - gold insert	1959	10.00 ea.
C0SF-19A603-A	Heater and Air Conditioner Control Knob - (2) per car - silver insert	1960	10.00 ea.
C20A-18591-A	Resistor Assembly for Heater Switch to Heater Motor	1964-66	15.00 ea.



B5A-18495-A

EXHAUST DEFLECTORS

51A-18529-A	Stainless Exhaust Deflector - Ford Script	All	16.00 ea.
51A-18529-B	Stainless Exhaust Deflector - V-8	All	16.00 ea.
51A-18529-P	Stainless Exhaust Deflector - Plain	ALL	15.00 ea.





ANTENNAS

B7A-18813-A	Rear Mount Antenna - Complete with lead-in wire from antenna to radio - Installing instructions & template included Manufactured in USA-	1957-UP	90.00 ea.
B5A-18813-C	Front Mount Antenna - Complete with lead-in wire from antenna to radio	1955-57	70.00 ea.
B8S-18813-C	Front Mount Antenna - Complete with lead-in wire from antenna to radio	1958-60	62.50 ea.
D6TZ-18813-A	Front Mount Antenna - Replacement by Ford	1961-66	40.00 ea.
D3AZ-18817-A	Radio Knob Chrome Plastic - 2 per car for Philco Radio	1974-76	6.00 ea.
B7A-18818-AS	Rear Mount Antenna Pad	1957-UP	6.50 ea.
BA-18818	Front Mount Antenna Pad	1955-57	5.00 ea.
B8A-18818-S	Front Mount Antenna Pad	1958-60	4.50 ea.
B5A-18912-A	Antenna Lead - In Wire Grommet	1955-59	3.00 ea.



B7A-18813-A



B5A-18813-C



B8S-18813-C

A/C SEAL KIT

C9AZ-19655-B	A/C Compressor Crankshaft Seal Kit	1965-71	20.00 ea.
--------------	------------------------------------	---------	------------------

FIREWALL COVER CLIP

48-7001670-CLIP	Firewall Cover Clip - Special clip that holds firewall cover to firewall - Metal - like original	All	3.00 ea.
390018-S	Firewall Cover Clip Special Clip that holds firewall cover to firewall - plastic - replacement	All	1.00 ea.



390018-S



48-7001670-CLIP

COWL SIDE VENTILATOR RELATED PARTS

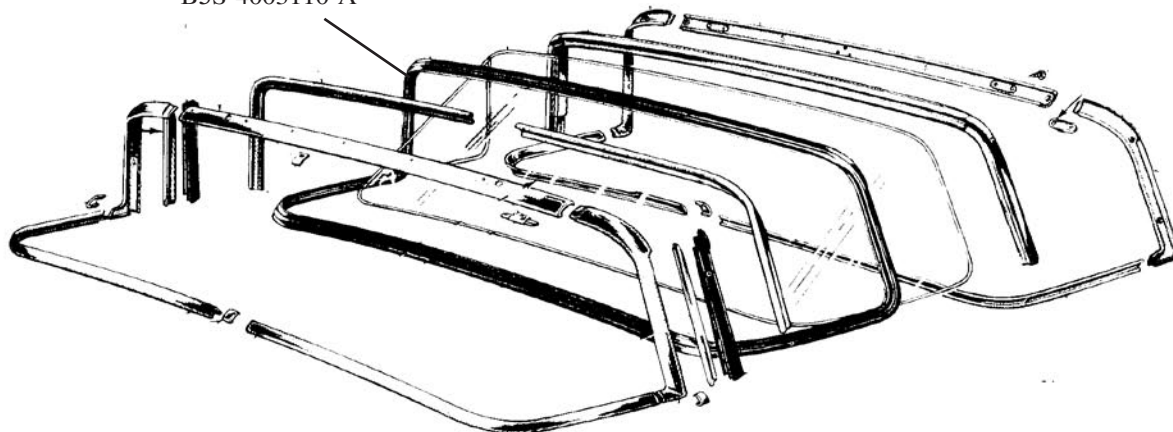
B6S-4002152-A	Cowl Side Ventilator Control Rod Spring - need (1) on each side	1956-57	3.00 ea.
---------------	---	---------	-----------------

WINDSHIELD SEALS

B5S-4003110-A	Windshield Seal - Mfg. in USA,	1955-57	70.00 ea.
B8S-6303110-A	Windshield Seal - Hardtop & Convertible - Mfg. in USA	1958-60	92.50 ea.
C1SB-6303110-C	Windshield Seal - Hardtop Only - Mfg. in USA	1961-63	92.50 ea.
C1SB-7603110-C	Windshield Seal - Convertible Only - Mfg. in USA	1961-63	110.00 ea.
C4SZ-6303110-A	Windshield Seal - Hardtop & Convertible - Mfg. in USA 1964-66	1964-66	92.50 ea.

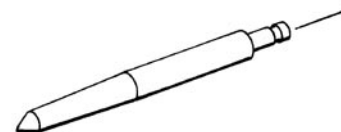
Mfg in our Shop. Check before buying. There is a difference.

B5S-4003110-A



SUN VISOR RELATED PARTS

C3DZ-7604114-B	Sun Visor Metal Anchor Pin - (1) per visor	1961-63 1969	4.50 ea.
D1DZ-6204115-A	Sun Visor Arm Boot - Rubber boot tip where sunvisor hooks to clip in center of car - Need (2) per car		1.00 ea.
D3AZ-6504114-B	Sun Visor Pin and Tip	1970-76	3.00 ea.
C6SZ-6304132-A	Sun Visor Arm Center Retainer Bracket - right side - Hardtop	1966	20.00 ea.
C6SZ-6304133-A	Sun Visor Arm Center Retainer Bracket - left side - Hardtop	1966	20.00 ea.
C8ZZ-6504132-A1W	Sun Visor Arm Clip in White - center of windshield bracket	1968-69	15.00 ea.
C8ZZ-6504132-B1A	Sun Visor Arm Clip in Black - center of windshield bracket	1968-69	15.00 ea.



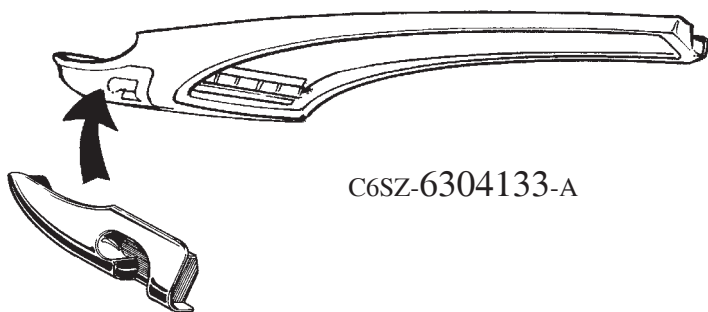
D3AZ-6504114-B



C3DZ-7604114-B



D1DZ-6204115-A



C6SZ-6304133-A






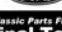
C8ZZ-6504132-B1A

**Visor
Bracket**

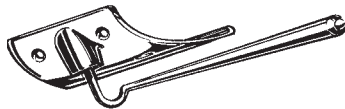


SUN VISOR RELATED PARTS

ALL TRIPLE CHROME PLATED

B8S-6304144-A  Classic Parts From Original Tooling	Sun Visor Arm and Bracket Assembly Less Visor - right side - Hardtop & Convertible	1958-60	45.00 ea.
B8S-6304145-A  Classic Parts From Original Tooling	Sun Visor Arm and Bracket Assembly Less Visor - left side - Hardtop & Convertible	1958-60	45.00 ea.
C1SB-6304144-B  Classic Parts From Original Tooling	Sun Visor Arm and Bracket Assembly Less Visor - right side - Hardtop & Convertible	1961-63	45.00 ea.
C1SB-6304145-B  Classic Parts From Original Tooling	Sun Visor Arm and Bracket Assembly Less Visor - left side - Hardtop & Convertible	1961-63	45.00 ea.
C4SZ-7604144-A  Classic Parts From Original Tooling	Sun Visor Arm and Bracket Assembly Less Visor - right side - Convertible Only	1964-66	50.00 ea.
C4SZ-7604145-A  Classic Parts From Original Tooling	Sun Visor Arm and Bracket Assembly Less Visor - left side - Convertible Only	1964-66	50.00 ea.

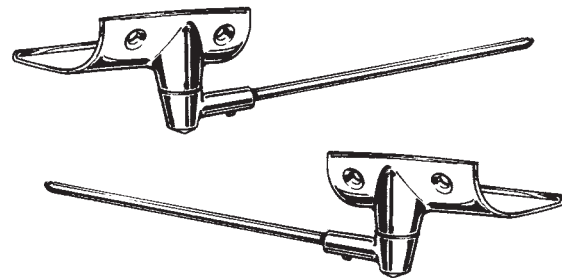
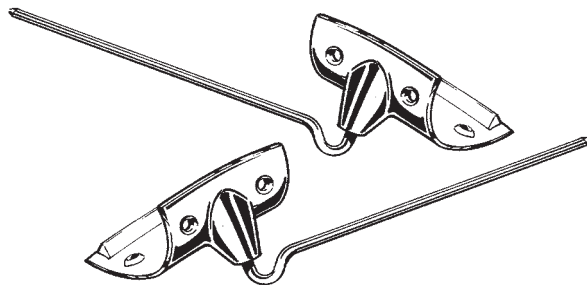
C1SB-6304145-B



C1SB-6304144-B

B8S-6304144-A



C4SZ-7604145-A



B8S-6304145-A

C4SZ-7604144-A

PADDED DASH

B8S-6304290-A  Classic Parts From Original Tooling	Padded Dash - Black	1958-60	400.00 ea.
C1SZ-6304290-A  Classic Parts From Original Tooling	Padded Dash - Black	1961-63	400.00 ea.

INSTRUMENT PANEL "THUNDERBIRD" NAMEPLATE AND EMBLEM

B6A-7004407-A	Instrument Panel V-8 Emblem (No Hardware)	1955-56	20.00 ea.
---------------	--	---------	------------------

B6A-7004407-A



REAR FLOOR PAN DRAIN VALVE

C3AZ-6211202-A	Rear Floor Pan Extension Drain Valve	1963-70	11.00 ea.
----------------	--------------------------------------	---------	------------------

GLOVE BOX DOOR PARTS

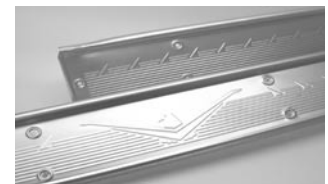
C6AZ-6206069-A	Glove Box Door Spring	1970-71	2.00 ea.
B7A-7006122	Glove Box Door Check Arm Stop Bumper	1955-57	1.50 ea.

ROCKER PANEL

E7SZ-6310128-A	RH Rocker Patch Panel - Fits Cougar also	1983-88	100.00 ea.
E7SZ-6310129-A	LH Rocker Patch Panel - Fits Cougar also	1983-88	100.00 ea.

SCUFF PLATES

B8S-6313208-PR	Scuff Plates - Imported	1958-60	150.00 pr.
C4SZ-6313208-PR	Scuff Plates - Imported	1964-66	100.00 pr.
C1SZ-6313208-PR	Scuff Plates - Correct for 1961-62, will fit 1963	1961-63	150.00 pr.



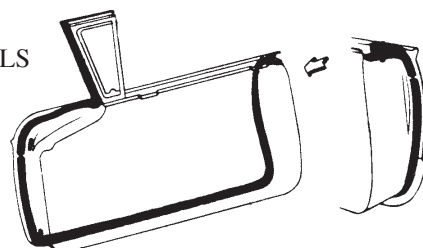
B8S-6313208-PR

DOOR SEAL KITS

Exactly As Original - Not One Detail Overlooked - Manufactured with Highest Quality Material in Our Shop

B7S-4020330-B	Front of Door Seal - Goes up windshield post	1955-57	7.00 pr.
B5S-4020530-PR	Door Seal Kit - Fits better than original	1955-57	80.00 pr.
B8S-6320530-PR	Door Seal Kit - Fits all body styles	1958-60	90.00 pr.
C1SB-6320530-PR	Door Seal Kit - Fits all body styles	1961-63	90.00 pr.
C4SZ-6320530-PR	Door Seal Kit - Fits all body styles	1964-66	100.00 pr.

1958-60 DOOR SEALS



B8S-6321450-PR
C1SZ-6321450-PR
C4SZ-6321450-PR



B8S-6321448-PR
C1SZ-6321448-PR
C4SZ-6321448-PR

GLUE

C0AZ-19554-A	Weatherstip Glue for Doors & Trunk - Comes in a 5oz. tube		10.00 ea.
--------------	---	--	------------------

MOULDING CLIP

D0SZ-6521066-B	Body Moulding Clip Plastic	1970-72	1.50 ea.
D2SZ-6520818-A	Body Moulding Clip Plastic	1972	2.00 ea.
C2DZ-6420842-A	Outside Upper Moulding Retainer - metal	1964-66	3.00 ea.

VENT WINDOW SEALS

B8S-6321448-PR	Vent Window Seals - No Rivets	1958-60	100.00 pr.
C1SZ-6321448-PR	Vent Window Seals - No Rivets	1961-63	100.00 pr.
C4SZ-6321448-PR	Vent Window Seals - No Rivets	1964-66	100.00 pr.

BACK EDGE OF VENT WINDOW SEALS

B8S-6321450-PR	Back Edge of Vent Window Seals - includes rivets	1958-60	20.00 pr.
C1SZ-6321450-PR	Back Edge of Vent Window Seals - includes rivets	1961-63	20.00 pr.
C4SZ-6321450-PR	Back Edge of Vent Window Seals - includes rivets	1964-66	20.00 pr.

DOOR AND QUARTER WINDOW ANTI-RATTLER KITS

B8S-6321452-K	Front Door & Quarter Window Anti-Rattler Kit - 2 dr. Hardtop - 8 pcs.	1958-60	100.00 kit
B8S-7621452-K	Front Door & Quarter Window Anti-Rattler Kit - Convertible - 8 pcs.	1958-60	100.00 kit
C1SB-6321452-K	Front Door & Quarter Window Anti-Rattler Kit - 2 dr. Hardtop - 8 pcs.	1961-63	120.00 kit
C4SZ-6321452-K	Front Door & Quarter Window Anti-Rattler Kit - 2 dr. Hardtop - 8 pcs.	1964-66	180.00 kit
C4SZ-7621452-K	Front Door & Quarter Window Anti-Rattler Kit - Convertible - 8 pcs.	1964-66	180.00 kit
C7SZ-5720934-K	Front & Rear Door Window Anti-Rattler Kit - 4 dr. Hardtop	1967-71	180.00 kit
C7SZ-6520934-K	Front Door Window Anti-Rattler Kit - 2 dr. Hardtop - front doors only - 4 pcs.	1967-71	100.00 kit

STRIKER PLATE ASSEMBLY

B5A-7022008-C	Striker Plate Assembly - Right Side	1955	20.00 ea.
B5A-7022009-C	Striker Plate Assembly - Left Side	1955	20.00 ea.
B6A-7022008-A	Striker Plate Assembly - Right Side	1956-57	20.00 ea.
B6A-7022009-A	Striker Plate Assembly - Left Side	1956-57	20.00 ea.
C0AZ-6222008-A	Striker Plate Assembly - Right Side	1961-63	20.00 ea.
C0AZ-6222009-A	Striker Plate Assembly - Left Side	1961-63	20.00 ea.
C5AZ-6222008-A	Striker Plate - Right or Left Side	1965-71	25.00 ea.
C3SZ-6322014-A	Door Striker Auxiliary Plate - Right Side	1961-63	5.00 ea.
C3SZ-6322015-A	Door Striker Auxiliary Plate - Left Side	1961-63	5.00 ea.
B7S-4022040-A	Door Striker Plate Insert - right or left side, used w/ 3 piece striker plate	1956-57	10.00 ea.



C5AZ-6222008-A



B5A-7022009-C

DOOR HINGE BUSHING

C3AZ-5422841-B	Door Hinge Bushing	1960-70	1.50 ea.
B9A-5943030-A	Door Hinge Pin - Cut to fit	1960-72	3.00 ea.

DOOR PARTS

C0SB-6320978-A	"Thunderbird" Name Plate on Door - no hardware	1960	40.00 ea.
B8S-6320980-A	Lower Door Ornament - (5) per door	1958	22.50 ea.
8A-7021478	Door and Quarter Window Glass Channel to Glass Tape Kit	All	3.00 kit
B7A-7621774-PR	Vent Window Upper Tip at Door Window Post Seal	1958-60	15.00 pr.
C1SZ-6321774-PR	Vent Window Upper Tip at Door Window Post Seal	1961-63	25.00 pr.
C4SZ-6321774-PR	Vent Window Upper Tip at Door Window Post Seal	1964-66	20.00 pr.
0H-7321850	Door Lock Control Rod Knob - Chrome	1955-57	10.00 ea.
B7A-7021850-A	Door Lock Control Rod Knob - Black	1958-60	6.50 ea.
C1VB-5721850-A	Door Lock Control Rod Knob - Chrome	1961-63	8.00 ea.
C1VB-5721850-B	Door Lock Control Rod Knob - Chrome	1964	6.00 ea.
C5AZ-6221850-A	Door Lock Control Rod Knob - Chrome	1965-66	5.00 ea.
D50Z-6521850-B	Door Lock Control Rod Knob - Chrome	1973-78	5.00 ea.
B9AB-6421952-A	Door Lock Rod Clip	1957-64	2.00 ea.
B4C-8121971-A	Door Lock Cylinder Operating Lever	1955-57	9.00 ea.
B8S-6321970-A	Door Lock Cylinder Operating Lever Right Side	1958-60	15.00 ea.
B8S-6321971-A	Door Lock Cylinder Operating Lever Left Side	1958-60	15.00 ea.
B2A-7021942-A	Door Lock Cover w/ Spring - Right Side	1955-60	10.00 ea.
B7A-7021984-PR	Door Lock Cylinder & Keys - In pairs, doors only	1955-60	40.00 pr.
C4SZ-6321812-C	Door Latch Assembly - Right Side - used without vacuum door locks and sleeve nuts	1964	89.00 ea.
C4SZ-6321813-C	Door Latch Assembly - Left Side - used without vacuum door locks and sleeve nuts	1964	89.00 ea.
8M-7221999	Door Lock Knob Grommet	1955-57	3.00 ea.
C0SB-6321999-A	Door Lock Knob Grommet	1958-60	5.00 ea.
B9MB-5721999-A	Door Lock Knob Grommet	1961-63	4.00 ea.
			
B9MB-5721999-C	Door Lock Knob Grommet in Clear	1961-63	4.00 ea.
C4SZ-6321999-B	Door Lock Knob Grommet	1964	8.50 ea.
C5SZ-6321999-A	Door Lock Knob Grommet	1965-66	8.50 ea.
C5AZ-6222023-A	Door Lock Cylinder Retainer Clip	1965-71	3.00 ea.



C1VB-5721850-B



D2AZ-6521850-A



D50Z-6521850-B

DOOR PARTS

C3AZ-6222050-B	Ignition and Door Lock Set - w/ 2 keys	1963-64	50.00 set
C0AB-6422058-A	Metal Door Lock Striker Shim	1961-63	5.00 ea.
C2AZ-6222040-A	Door Lock Striker Plate Insert	1960-63	10.00 ea.
B7A-7022075-A	Door Lock Cover Operating Spring	1955-60	2.50 ea.
C1SB-6322268-PR	Vent Window Rain Deflectors	1961-63	22.50 pr.
B5S-4022400-PR	Outside Door Handles (No Buttons) (Hardware Included)	1955-57	50.00 pr.
B8S-6322400-B	Outside Door Handle w/button - right side	1958-60	70.00 ea.
B8S-6322401-B	Outside Door Handle w/button - left side	1958-60	70.00 ea.
B8S-6322400-PR	Outside Door Handle - SAVE: Buy a Pair	1958-60	130.00 pr
B8S-6322454-B	Outside Door Handle Button - Die Cast - Right Side	1958-60	17.50 ea.
B8S-6322455-B	Outside Door Handle Button - Die Cast - Left Side	1958-60	17.50 ea.
C5AZ-6222404-A	Outside Door Handle W/Button, Pads, Screws - Right Side	1967-71	70.00 ea.
C5AZ-6222405-A	Outside Door Handle W/Button, Pads, Screws - Left Side	1967-71	70.00 ea.
C5AZ-6222404-PR	Outside Door Handles - SAVE: Buy a Pair	1967-71	130.00 pr.
C5AZ-6222454-B	Outside Door Handle Buttons	1967-71	17.50 ea.
C4SZ-6322404-A	Outside Door Handle - Right Side Hardware Included - No Buttons	1964-66	60.00 ea.
C4SZ-6322405-A	Outside Door Handle - Left Side Hardware Included - No Buttons	1964-66	60.00 ea.
B5S-4022428	Outside Door Handle Pads - set of (4) pcs.	1955-57	5.00 set
B8S-6322428	Outside Door Handle Pads - set of (4) pcs.	1958-60	10.00 set
C4SZ-6322428	Outside Door Handle Pads - set of (4) pcs.	1964-66	12.50 set
C5AZ-6222428	Outside Door Handle Pads - set of (4) pcs.	1967-71	10.00 set
C1SZ-6322454-A	Outside Door Handle Button Assembly	1961-63	35.00 ea.
BAAA-8122478-A	Outside Door Handle Button and Guide Seal	1955-57	4.00 ea.
C0AZ-6422600-A	Inside Door Handle	1957-63	20.00 ea.
D6AZ-6022600-A	Inside Door Handle	1977-79	15.00 ea.
B5A-7022600-A	Inside Door Handle	1955-56	20.00 ea.

8M-7221999



C4SZ-6322404-A



C5AZ-6222404-A



C0AZ-6422600-A



D6AZ-6022600-A



B8S-6322400-B



C5AZ-6222404-A

DOOR PARTS

C4SZ-6322600-A	Inside Door Handle - Right Side	1964-66	35.00 ea.
C4SZ-6322601-A	Inside Door Handle - Left Side	1964-66	35.00 ea.
C8AZ-6222600-B	Inside Door Handle - Right Side - Before 3-1-72	1968-72	25.00 ea.
C8AZ-6222601-B	Inside Door handle - Left Side - Before 3-1-72	1968-72	25.00 ea.
C3DZ-6322620-C	Window Crank or Door Handle Escutcheon - Chrome Plastic	1961-63	6.50 ea.
BA-7023240-A	Roller Assembly for Window Regulator Arm	1955-60	5.50 ea.
C0AB-6423240-B	Roller Assembly for Window Regulator Arm	1961-66	3.50 ea.
C7AZ-54265A28-A	Door Bumper Upper or Lower - (2) per door	1972	1.00 ea.
B5A-7023342-A	Window Crank Handle - Black Knob	1955-56	25.00 ea.
B7A-7023342-A	Window Crank Handle - Black Knob	1957	30.00 ea.
B8A-7023342-A	Window Crank Handle - White Knob	1958-60	30.00 ea.
C2SZ-6323342-A	Window Crank Handle - Chrome Knob	1961-63	30.00 ea.
C4SZ-6323342-A	Window Crank Handle - Chrome Knob	1964-66	35.00 ea.
1A-7023352	Window Crank Handle Knob - Black	1955-56	6.00 ea.
B7A-7023352-A	Window Crank Knob - Black	1957	5.00 ea.
B8A-7023352-A	Window Crank Knob - White	1958-60	5.00 ea.
C8AZ-6223352-A1D	Window Crank Handle Knob - Red	1968-70	7.50 ea.
C8AZ-6223362-A	Window Crank Handle Screw Cover	1968-73	2.50 ea.
B7A-7023370-B	Window Crank & Door Handle Escutcheon (Plastic)	1955-63	3.00 ea.
C7AZ-6224146-A	Front and Rear Door Panel Arm Rest Clips Front Door and Quarter Panel Arm Rest Clips	1968-71 1972	1.00 ea.



C8AZ-6222601-B



C0AB-6423240-B



B7A-7023370-B



C2SZ-6323342-A



C3DZ-6322620-C



C0AZ-6422600-A

C0AZ-6422600-A
INSIDE DOOR HANDLE



B5A-7022600-A



B5A-7023342-A



B7A-7023342-A



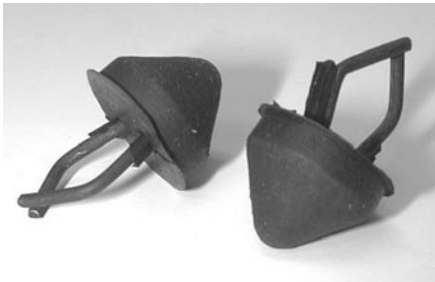
B8A-7023342-A



C4SZ-6323342-A
WINDOW CRANK

DOOR BUMPERS

C2AZ-6223030-A	Door Bumper - 2-door Hardtop - need (2) per car	1967-68	1.50 ea.
372164-S	Door Bumper - All models - 7/16" high - Fits on door jamb where rear of door closes against body and on rear lower part of door	1960-64	5.00 pr.
372167-L	Door Bumper - All models - 5/8" high - Fits on door jamb where rear of door closes against body and on rear lower part of door	1960-64	5.00 pr.
C4SZ-6323030-A	Rear of Door Bumper at Belt Line	1964-66	1.00 ea.
C7SZ-6523030-A	Front Door Rear Bumper Rear Door Front Bumper	1967-72 1967-71	1.00 ea.
359422-S	Glove Box Door Bumpers	1958-60	2.00 pr.
375838-S	Gas Tank Door Bumper	1964	2.50 pr.



372164-S



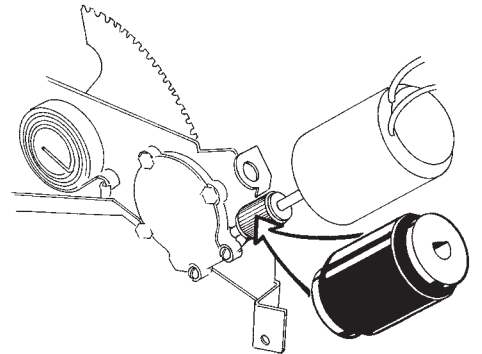
C4SZ-6323030-A



C7SZ-6523030-A

DOOR AND QUARTER POWER LIFT WINDOW REGULATOR DRIVE COUPLING

B5A-7023440-A	Door and Quarter Power Window Lift Regulator Drive Coupling Front Doors Quarters	1955-60 1958-60	15.00 ea.
C1VB-5723440-A	Door and Quarter Power Window Lift Regulator Drive Coupling Front Doors Quarters	1961-64 1961-64	15.00 ea.
D0AZ-62234A24-B	Window Regulator Electric Drive Gear Kit - RH or LH	1967-72	40.00 ea.
D0AZ-62234A24-KIT	Window Regulator Drive Gear Plastic Repair Kit - for electric windows (1) kit per window	1967-72	8.00 kit



BODY SIDE NAME PLATES, MEDALLIONS, AND ORNAMENTS

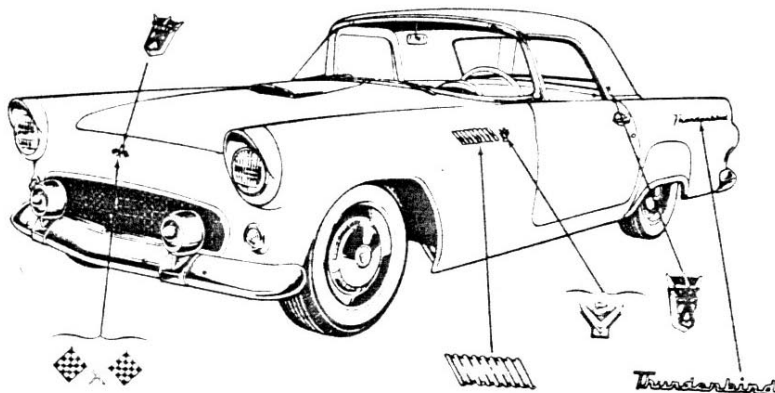
B5S-4025622-A	"Thunderbird" Name Plate on Quarter Panels - No fasteners	1955-56	45.00 ea.
C3SZ-6325622-A	"Thunderbird" Name Plate on Quarter Panels "Thunderbird" Name Plate on Front Fenders - with fasteners	1963 1964	50.00 ea.
BM-7325662-B	Body Side Ford Medallion - On Fuel Filler Door - On Hood - On Convertible Hardtop - On Front Fenders - No fasteners	1955 1955 1955-56 1956	24.50 ea.
B6A-7925666-C	Body Side Ford Medallion Bezel - On Hood - On Convertible Hardtop - On Front Fenders - No fasteners	1955 1955-56 1956-57	25.00 ea.



B6A-7925666-C



BM-7325662-B

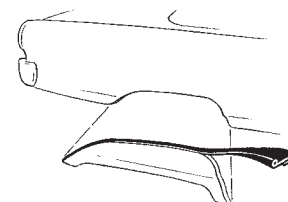


P-2006

FORD THUNDERBIRD -1955

FENDER SKIRT SEAL

B7S-4027986-PR	Fender Skirt Seal - Die cut to Fit - Complete with installing staples - 54" long	1955-57	16.00 pr.
B8S-7327986-PR	Fender Skirt Seal - Complete with installing staples - 44" long	1958-60	13.50 pr.
C1SB-7327986-PR	Fender Skirt Seal - Complete with installing staples - 52" long	1961-66	13.50 pr.
370034-S8B	Fender Skirt Pin - need (8)	1961-66	3.00 ea.



FENDER SKIRT SEAL

COAT HANGER COVER

E0AZ-5429024-A	Coat Hanger Hook Cover in Black Plastic - Fits Cougar Also	1968-82	3.00 ea.
C8AZ-6229232-A	Plastic Retainer for Coat Hanger Hook - Fits Cougar Also	1968-82	3.00 ea.



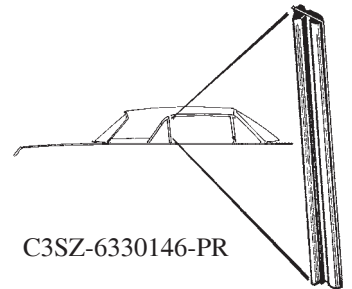
DOOR AND QUARTER WINDOW ESCUTCHEONS

C1SZ-63303A20-C	Inside Door Handle Escutcheon - Chrome Inside Quarter Window Escutcheon - Chrome	1961-62 1963	6.50 ea.
-----------------	---	-----------------	-----------------

FRONT OF QUARTER WINDOW SEAL



B9A-6330146-PR	Front Edge of Quarter Window Seal - (Metal Insert Reinforced)	1958-60	30.00 pr.
C3SZ-6330146-PR	Front Edge of Quarter Window Seal - (Metal Insert Reinforced)	1961-63	30.00 pr.
C4SZ-6330146-PR	Front Edge of Quarter Window Seal - (Metal Insert Reinforced)	1964-66	30.00 pr.



C3SZ-6330146-PR

TRUNK LID RELATED PARTS



C4SZ-63403C50-A	Trunk Lid Dust Seal - Black	1964-66	20.00 ea.
C4SZ-63403C50-AAC	Trunk Lid Dust Seal - Lt. Gray	1964-66	30.00 ea.
C1SZ-6342514-A	Trunk Lid Emblem - Plastic Only	1961-63	20.00 ea.

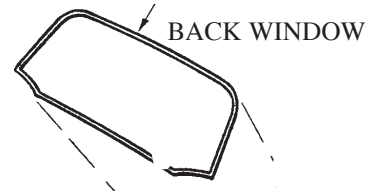


C1SZ-6342514-A

BACK WINDOW SEAL



B5S-4042084-A	Back Window Seal	1955-57	47.50 ea.
B8S-6342084-A	Back Window Seal	1958-60	92.50 ea.
C1SB-6342084-A	Back Window Seal	1961-63	100.00 ea.
C4SZ-6342084-A	Back Window Seal	1964-66	92.50 ea.



TRUNK LID RELATED PARTS

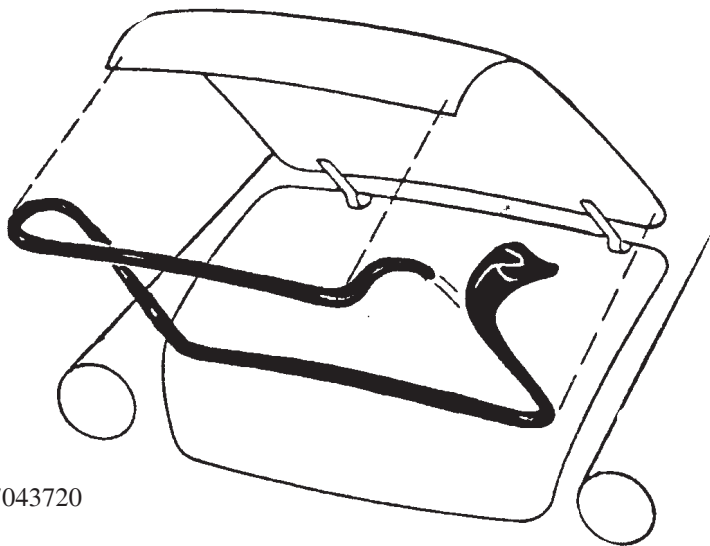
B5A-7043603-B	Trunk Lid Lock Cylinder Housing & Cover	1957	50.00 ea.
B9A-6443505-A	Trunk Lock Cylinder & Key	1961-63 1955-57	20.00 ea.
B5A-7043625-B	Trunk Lock Housing Pad	1957	3.50 ea.

B5A-7043603-B



TRUNK LID SEAL

BA-7043720	Trunk Lid Seal - All Body Styles	1955-60	17.50 ea.
COMB-6443720-C	Trunk Lid Seal - All Body Styles	1961-63	17.50 ea.
C3AZ-6243720-A	Trunk Lid Seal - Hardtop Only	1964-69	17.50 ea.
D0AZ-6243720-A	Trunk Lid Seal	1970-72	27.50 ea.
B9A-16792-S	Trunk Torsion Bar Anti-Rattler - Hardtop Only	1961-66	2.50 ea.
B7A-16993-A	Trunk Lid Bumper - Convertible Only - need (2) per car	1958-59	1.50 ea.



BA-7043720

ROOF SIDE ORNAMENT

C0SB-6350286-A	Roof Side Ornament	1960	40.00 ea.
C1SZ-63517A20-C	Roof Side Bird Plastic Insert	1961-63	20.00 ea.



C1SZ-63517A20-C



C0SB-6350286-A

GLUE

C0AZ-19554-A	Weatherstrip Glue for Doors & Trunk - comes in 5oz. tube		10.00 ea.
--------------	--	--	------------------

REAR BODY PANEL TO TRUNK BUMPERS

C4SZ-16763-A	Rear Body Panel to Trunk Lid Bumper	1961-62	9.00 pr.
--------------	-------------------------------------	---------	-----------------

CONVERTIBLE TOP KIT



B8S-7651562-KIT	Convertible Top Seal Kit	1958-60	350.00 ea.
-----------------	--------------------------	---------	-------------------

Thunderbird Convertible Top Seal Set
Made Exactly Like The Originals by Dennis Carpenter

NEW

By Dennis Carpenter
MADE IN THE U.S.A.
In Our Shop

above windshield
above side windows
wraps quarter windows
top of quarter panels

U.S.A. Quality
Ford/Mercury Rubber Parts
Made by Dennis Carpenter

Pick up the samples and
Feel The Quality

SEAT PARTS

D1AZ-6560235-H	Front Seat Shoulder Strap Book - Black - 2 per car	1971-73	5.00 ea.
C5AZ-6262060-A	Retainer Clip for Seat Adjustment Knob	1972-85	1.50 ea.
C5AZ-6261753-BA	Seat Track Adjustment Knob - Black w/ clip	1972-85	2.50 ea.

CONVERTIBLE RELATED PARTS

C3AZ-76514A00-B	Folding Top Rear Rail Bending Tip	1963-64	3.00 ea.
C3AZ-7650412-A	Folding Top Rear Side Rail to Power Cylinder Bushing	1963-64	3.00 ea.

ROOF RAILS WEATHER STRIP

Complete with Metal Core - Made Exactly as Original in our Tooling Shop - Not one Detail Overlooked

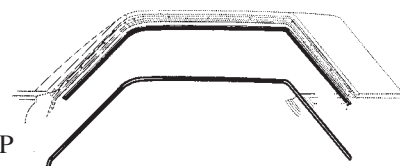
C1SZ-6351222-PR	Roof Rails Weatherstrip - For Hardtop	1961-63	275.00 pr.
C4SZ-6351222-PR	Roof Rails Weatherstrip - For Hardtop (Except 1966 Landau)	1964-66	77.50 pr.
C6SZ-6351222-PR	Roof Rails Weatherstrip - For Hardtop Landau Only	1966	100.00 pr.

Above roof rails weatherstrip seals top side windows to roof & front of door at windshield post



C1SZ-6351222-PR
ROOF RAILS WEATHERSTRIP

C4SZ-6351222-PR
ROOF RAILS WEATHERSTRIP



For Sale **F O R D**
New Old Stock Parts



Dennis Carpenter Ford Reproductions does offer Ford New Old Stock parts for sale. Our constantly changing inventory usually consists of parts from the 1930's up through the 1970's for both cars and pickup trucks. Please understand that these parts are not brand new and may display some shelf wear though they are a genuine Ford Motor Company part unless otherwise indicated. We cannot guarantee that we do have the part that you are looking for but if we do, you will be notified.

When inquiring about a part, please be as thorough in your description as possible. Supplying us with an original Ford part number for the part that you are searching for would be a great asset. Please indicate the number if you have it.

For us to respond to your request please include, (along with your part description) your name, a day time telephone number, a FAX number or an E mail address, and an address where the part is to be shipped.

3 ways to contact our N.O.S. department

By U.S. MAIL Send a self- addressed, stamped envelope and your parts request to:
**Dennis Carpenter Ford Reproductions
(ATTENTION N.O.S. DEPT.)**
4140 Concord Parkway So. Concord, NC 28027

By FAX Fax your parts request to:
(ATTENTION N.O.S. DEPT.)
704-786-8180

By E MAIL E Mail your parts request to:
(ATTENTION N.O.S. DEPT.)
info@dennis-carpenter.com

Sorry, no N.O.S. parts inquiries by telephone

PLEASE ALLOW 3 TO 6 WEEKS FOR RESPONSE

COWL AND FLOOR PAN PLUGS

352284-S	For 1-1/4" Diameter Hole		1.25 ea.
352285-S	For 1-1/2" Diameter Hole		1.25 ea.
352291-S	For 3/4" Diameter Hole		1.25 ea.
357216-S	For 1.87" Diameter Hole		1.25 ea.

BODY MOULDING CLIP

D2SZ-6520818-A	Body Moulding Clip - Plastic	1972	2.00 ea.
----------------	------------------------------	------	-----------------

AIR CLEANER DECALS

DF-53	390 CID Air Cleaner Decal	1962-66	3.50 ea.
DF-54	390-4V Premium Fuel Air Cleaner Decal	1962-66	3.50 ea.
DF-83	Air Cleaner Service Instructions	1955-56	4.00 ea.
DF-115	428-4V Premium Fuel ACD - B & O Squares	1966-67	3.50 ea.
DF-140	Interceptor Air Cleaner Decal	1959-60	5.00 ea.
DF-141	Thunderbird Special - Use with DF-140	1959-60	5.00 ea.
DF-142	Special - Use with DF-140	1959-60	5.00 ea.
DF-149	Air Cleaner Service Instructions	1965-68	3.00 ea.
DF-150	Air Cleaner Service Instructions	1965-68	4.00 ea.
DF-160	Autolite Spark Plug Decal	1964-67	3.50 ea.
DF-221	428-4V Premium Fuel ACD - B & O squares	1966-67	3.50 ea.
DF-350	Crankcase Vent Decal	1962-63	3.50 ea.
DF-352	Autolite Spark Plug Decal	1962-63	3.50 ea.
DF-755	Air Cleaner Service Instructions	1960	3.00 ea.
DF-756	Air Cleaner Service Instructions	1961	3.00 ea.
DF-757	Air Cleaner Service Instructions	1962	3.00 ea.
DF-758	Air Cleaner Service Instructions	1963	3.00 ea.
DF-759	Air Cleaner Service Instructions	1964	2.50 ea.
DF-760	Air Cleaner Service Instructions	1965	2.50 ea.



VALVE COVER DECALS

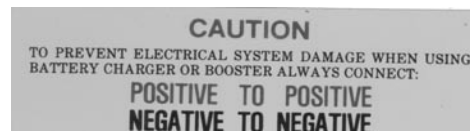
DF-71	312 Cubic Inch Valve Cover Decal	1956-57	12.00 pr.
DF-72	292 Cubic Inch Valve Cover Decal	1955	12.00 pr.

ENGINE COMPARTMENT DECALS

DF-20	Service Specification Decal	1965-66	3.00 ea.
DF-32	Voltage Regulator Decal	1956-57	4.00 ea.
DF-33	Coil Decal	1956-62	4.00 ea.
DF-68	Generator Decal	1956	4.00 ea.
DF-69	Generator Decal	1957	4.00 ea.
DF-82	Oil Filter Decal	1955-56	5.50 ea.
DF-84	Voltage Regulator Decal	1955	4.00 ea.
DF-89	Air Scoop Decal	1955-57	3.50 ea.
DF-107	Voltage Regulator Decal	1958-59	4.00 ea.
DF-120	FoMoCo Antifreeze Tag	1955-63	3.50 ea.
DF-131	Starter Decal	1956-57	4.00 ea.
DF-164	Oil Cap Decal	1960-65	3.00 ea.
DF-198	Battery Caution Decal	1963-64	3.50 ea.
DF-194	Battery Test Decal	1964-68	3.00 ea.
DF-224	Coil Decal	1963-66	4.00 ea.
DF-229	Engine Foundry Tag	1955-57	4.00 ea.
DF-235	Paint "OK" Decal Set	1955	4.50 ea.
DF-236	Paint "OK" Decal Set	1956	4.50 ea.
DF-237	Paint "OK" Decal Set	1957	4.50 ea.
DF-280	Fuel Filter Decal	1962-65	3.00 ea.
DF-320	Voltage Regulator Warning Tag	1962-66	4.00 ea.
DF-331	Disc Brake Master Cylinder Cap Decal	1966	3.50 ea.
DF-337	Voltage Regulator Decal	1962	4.00 ea.
DF-345	Service Specification Decal	1964	3.00 ea.
DF-347	Voltage Regulator Warning Decal	1962-64	4.00 pr.
DF-351	Air Conditioner Aluminum Tag	1966	5.00 ea.
DF-353	Transistorized Ignition Shield Decal	1964-65	4.00 ea.
DF-405	Battery Rest Decal	1962-63	3.00 ea.
DF-412	Voltage Regulator Decal	1965-66	4.00 ea.
DF-447	Starter Decal	1962-64	4.00 ea.
DF-461	Ford Antifreeze Tag	1959-64	4.00 ea.
DF-502	Transistorized Ignition Distributor Decal	1964-66	4.00 ea.
DF-515	Generator Decal	1962-64	4.00 ea.
DF-518	Coil Decal - Transition Ignition Only	1963-64	3.50 pr.
DF-519	Voltage Regulator Decal (Early)	1963-65	3.50 ea.
DF-536	Air Conditioner Charge Decal	1958-60	4.00 ea.



DF-280
FUEL FILTER
DECAL



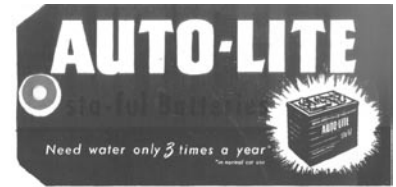
DF-198
BATTERY CAUTION DECAL

DF-164
OIL CAP DECAL



ENGINE COMPARTMENT DECALS

DF-574	Air Conditioner Compressor Decal	1960-61	4.00 ea.
DF-613	Rotunda Oil Filter Decal - Red	1957-63	5.00 ea.
DF-647	Rotunda 6000 Gold Oil Filter Decal	1964-69	5.00 ea.
DF-684	Autolite FL-1 Oil Filter Decal	1964-69	5.00 ea.
DF-699	Rotunda Antifreeze Tag	1964-66	4.00 ea.
DF-741	Caution Fan Decal (square)	1964	3.50 ea.
DF-746	Ford 6000 or Six Month Lube Sticker		3.00 ea.
DF-784	Autolite Sta-Ful Battery Tag	1960-68	4.00 ea.
DF-820	Voltage Regulator Decal (Late)	1963-64	3.50 ea.
DF-825	Voltage Regulator Decal	1962	3.50 ea.
DF-875	Air Conditioner Aluminum Tag	1963	3.50 ea.
DF-876	Air Conditioner Aluminum Tag	1964-65	3.50 ea.
DF-1125	Generator Warning Tag - Green - 12 volt	1956-64	3.50 ea.
DF-1134	Generator Warning Tag - Red - 6 volt	1955	4.00 ea.



DF-784

INTERIOR COMPARTMENT DECALS

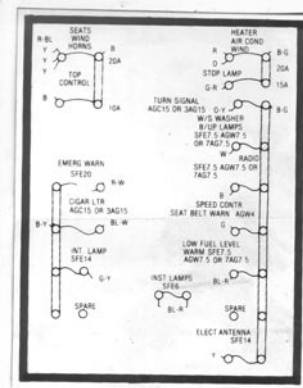
DF-29	Service Policy	1956	3.00 ea.
DF-76	Owners Manual Maintenance Insert	1955-57	3.00 ea.
DF-79	Tire Pressure Decal	1957	3.50 ea.
DF-80	Tire Pressure Decal	1955-56	3.50 ea.
DF-81	Automatic Transmission Glove Box Decal	1955-56	4.00 ea.
DF-90	Folding Top Glove Box Decal	1955-57	3.50 ea.
DF-93	Life Guard Body Decal	1956-57	4.00 ea.
DF-117	Battery Warranty Card	1955-57	2.50 ea.
DF-121	Tubeless Tire Instruction Folder	1955-56	2.50 ea.
DF-151	Tubeless Tire Owners Manual Insert	1955-56	3.00 ea.
DF-152	New Car Deliver Report	1955-56	3.00 ea.
DF-154	Glare Proof Mirror Instruction Tag	1955-56	3.00 ea.
DF-156	Electric Clock Instruction Booklet	1955-56	3.50 ea.
DF-170	Sunvisor Starting Instructions	1963-68	3.50 ea.
DF-180	Life Guard Door Lock Decal	1959	4.00 ea.
DF-187	New Car Window Price Sticker	1960	3.50 ea.
DF-188	New Car Window Price Sticker	1961	3.50 ea.
DF-189	New Car Window Price Sticker	1962	3.50 ea.



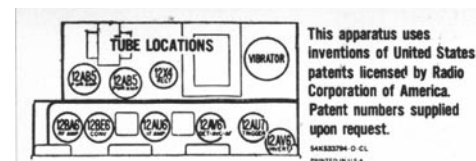
DF-93

INTERIOR COMPARTMENT DECALS

DF-190	New Car Window Price Sticker	1963	3.50 ea.
DF-191	New Car Window Price Sticker	1964	3.50 ea.
DF-192	New Car Window Price Sticker	1965	3.50 ea.
DF-193	New Car Window Price Sticker	1966	3.50 ea.
DF-208	Caution Driven Instructions Tag	1961-69	4.00 ea.
DF-209	Accessory Price List	1959	2.50 ea.
DF-210	Accessory Price List	1960	2.50 ea.
DF-211	Accessory Price List	1961	2.50 ea.
DF-212	Accessory Price List	1962	2.50 ea.
DF-213	Accessory Price List	1963	2.50 ea.
DF-214	Accessory Price List	1964	2.50 ea.
DF-215	Accessory Price List	1965	2.50 ea.
DF-216	Accessory Price List	1966	2.50 ea.
DF-269	Roadster Glove Box Warning Decal	1962-63	2.50 ea.
DF-273	Radio Schematic Decal	1956	2.50 ea.
DF-274	Radio Schematic Decal	1957	3.00 ea.
DF-275	Transistor Radio Decal	1957-59	5.00 ea.
DF-293	Convertible Tire Pressure Decal	1966	2.50 ea.
DF-294	Coupe Tire Pressure Decal	1966	2.50 ea.
DF-335	Owners Manual Envelope	1963-68	2.50 ea.
DF-369	Tire Pressue Decal	1962-63	2.50 ea.
DF-370	Black Sill Plate Decal	1965-66	4.00 ea.
DF-455	Service Policy	1955	3.50 ea.
DF-512	Power Box Decal	1964-66	3.50 ea.
DF-572	Air Conditioned Glove Box Decal	1958-59	3.50 ea.
DF-651	Reverberation Decal	1964-65	4.00 ea.
DF-648	Owners Manual Envelope	1960-62	2.50 ea.
DF-723	Build Sheet	1963-65	4.00 ea.
DF-863	New Car Warranty Sheet	1966	3.00 ea.
DF-903	New Car Window Price Sticker (Early)	1962	4.00 ea.
DF-904	New Car Window Price Sticker (Early)	1964	3.50 ea.
DF-907	Dealer Order Form	1964	2.50 ea.



DF-512



DF-273

THE VERTICAL MOVEMENT OF YOUR 4-WAY POWER SEAT HAS BEEN ELIMINATED TO PREVENT INTERFERENCE WITH THE HEADREST. IF YOU WISH THE VERTICAL MOVEMENT RESTORED, YOUR DEALER WILL MAKE THE NECESSARY WIRING CONNECTIONS. HOWEVER, THE SEAT MUST NOT BE RAISED WHEN IN THE REARWARD POSITION TO PREVENT DAMAGE TO HEADREST WITH THE TONNEAU COVER IN PLACE.

CSB-148707-A

DF-269

JACK INSTRUCTIONS

DF-40	Jack Instructions	1955-56	2.50 ea.
DF-41	Jack Instructions	1957	2.50 ea.
DF-132	Jack Instructions	1962	4.00 ea.
DF-219	Jack Instructions	1963	4.00 ea.
DF-238	Jack Instructions	1966	2.50 ea.
DF-249	Jack Instructions	1964	2.50 ea.
DF-290	Jack Instructions	1965	3.00 ea.
DF-330	Jack Hook Decal	1963-64	3.00 ea.
DF-434	Jack Instructions - Sports Roadster	1962-63	3.00 ea.
DF-513	Jack Instructions	1961	3.00 ea.
DF-547	Convertible Top Operating Instructions	1958-60	3.00 ea.

MAGAZINE - FORD TIMES - SMALL MAGAZINE

A Ford Publication given out at local Ford dealers. Some may be soiled.

CA-1955-6	Ford Times - June 1955 edition		8.50 ea.
CA-1955-7	Ford Times - July 1955 edition		8.50 ea.
CA-1955-8	Ford Times - August 1955 edition		8.50 ea.
CA-1955-9	Ford Times - September 1955 edition		8.50 ea.
CA-1955-10	Ford Times - October 1955 edition		8.50 ea.
CA-1955-11	Ford Times - November 1955 edition		8.50 ea.
CA-1955-12	Ford Times - December 1955 edition		8.50 ea.
CA-1956-4	Ford Times - April 1956 edition		8.50 ea.
CA-1956-5	Ford Times - May 1956 edition		8.50 ea.
CA-1956-6	Ford Times - June 1956 edition		8.50 ea.
CA-1956-7	Ford Times - July 1956 edition		8.50 ea.
CA-1956-8	Ford Times - August 1956 edition		8.50 ea.
CA-1956-9	Ford Times - September 1956 edition		8.50 ea.
CA-1956-11	Ford Times - November 1956 edition		8.50 ea.
CA-1957-1	Ford Times - January 1957 edition		8.50 ea.
CA-1957-4	Ford Times - April 1957 edition		8.50 ea.
CA-1957-6	Ford Times - June 1957 edition		8.50 ea.
CA-1957-10	Ford Times - October 1957 edition		8.50 ea.
CA-1957-11	Ford Times - November 1957 edition		8.50 ea.
CA-1957-12	Ford Times - December 1957 edition		8.50 ea.
CA-1958-1	Ford Times - January 1958 edition		8.50 ea.
CA-1958-2	Ford Times - February 1958 edition		8.50 ea.
CA-1958-3	Ford Times - March 1958 edition		8.50 ea.
CA-1958-4	Ford Times - April 1958 edition		8.50 ea.



MAGAZINE - FORD TIMES - SMALL MAGAZINE

CA-1958-8	Ford Times - August 1958 edition	8.50 ea.
CA-1958-10	Ford Times - October 1958 edition	8.50 ea.
CA-1959-4	Ford Times - April 1959 edition	8.50 ea.
CA-1959-5	Ford Times - May 1959 edition	8.50 ea.
CA-1959-6	Ford Times - June 1959 edition	8.50 ea.
CA-1959-7	Ford Times - July 1959 edition	8.50 ea.
CA-1959-9	Ford Times - September 1959 edition	8.50 ea.
CA-1959-10	Ford Times - October 1959 edition	8.50 ea.
CA-1959-11	Ford Times - November 1959 edition	8.50 ea.
CA-1959-12	Ford Times - December 1959 edition	8.50 ea.
CA-1960-2	Ford Times - February 1960 edition	8.50 ea.
CA-1960-3	Ford Times - March 1960 edition	8.50 ea.
CA-1960-4	Ford Times - April 1960 edition	8.50 ea.
CA-1960-5	Ford Times - May 1960 edition	8.50 ea.
CA-1960-6	Ford Times - June 1960 edition	8.50 ea.
CA-1960-7	Ford Times - July 1960 edition	8.50 ea.
CA-1960-8	Ford Times - August 1960 edition	8.50 ea.
CA-1961-1	Ford Times - January 1961 edition	8.50 ea.
CA-1961-3	Ford Times - March 1961 edition	8.50 ea.
CA-1961-10	Ford Times - October 1961 edition	8.50 ea.
CA-1961-12	Ford Times - December 1961 edition	8.50 ea.
CA-1962-1	Ford Times - January 1962 edition	8.50 ea.
CA-1962-4	Ford Times - April 1962 edition	8.50 ea.
CA-1962-6	Ford Times - June 1962 edition	8.50 ea.
CA-1962-9	Ford Times - September 1962 edition	8.50 ea.
CA-1962-10	Ford Times - October 1962 edition	8.50 ea.
CA-1962-11	Ford Times - November 1962 edition	8.50 ea.
CA-1962-12	Ford Times - December 1962 edition	8.50 ea.
CA-1963-1	Ford Times - January 1963 edition	8.50 ea.
CA-1963-6	Ford Times - June 1963 edition	8.50 ea.
CA-1963-7	Ford Times - July 1963 edition	8.50 ea.
CA-1963-9	Ford Times - September 1963 edition	8.50 ea.
CA-1963-10	Ford Times - October 1963 edition	8.50 ea.
CA-1963-11	Ford Times - November 1963 edition	8.50 ea.
CA-1963-12	Ford Times - December 1963 edition	8.50 ea.
CA-1964-1	Ford Times - January 1964 edition	8.50 ea.
CA-1964-8	Ford Times - August 1964 edition	8.50 ea.



MAGAZINE - FORD TIMES - SMALL MAGAZINE

CA-1965-1	Ford Times - January 1965 edition	8.50 ea.
CA-1965-2	Ford Times - February 1965 edition	8.50 ea.
CA-1965-3	Ford Times - March 1965 edition	8.50 ea.
CA-1965-11	Ford Times - November 1965 edition	8.50 ea.
CA-1966-2	Ford Times - February 1966 edition	8.50 ea.
CA-1966-6	Ford Times - June 1966 edition	8.50 ea.
CA-1966-8	Ford Times - August 1966 edition	8.50 ea.
CA-1966-10	Ford Times - October 1966 edition	8.50 ea.
CA-1967-1	Ford Times - January 1967 edition	8.50 ea.
CA-1967-2	Ford Times - February 1967 edition	8.50 ea.
CA-1967-3	Ford Times - March 1967 edition	8.50 ea.
CA-1967-4	Ford Times - April 1967 edition	8.50 ea.
CA-1967-5	Ford Times - May 1967 edition	8.50 ea.
CA-1967-6	Ford Times - June 1967 edition	8.50 ea.
CA-1967-7	Ford Times - July 1967 edition	8.50 ea.
CA-1967-8	Ford Times - August 1967 edition	8.50 ea.
CA-1967-9	Ford Times - September 1967 edition	8.50 ea.
CA-1968-3	Ford Times - March 1968 edition	8.50 ea.
CA-1968-6	Ford Times - June 1968 edition	8.50 ea.
CA-1968-7	Ford Times - July 1968 edition	8.50 ea.
CA-1968-10	Ford Times - October 1968 edition	8.50 ea.
CA-1968-12	Ford Times - December 1968 edition	8.50 ea.
CA-1969-2	Ford Times - February 1969 edition	8.50 ea.
CA-1969-3	Ford Times - March 1969 edition	8.50 ea.
CA-1969-4	Ford Times - April 1969 edition	8.50 ea.
CA-1969-5	Ford Times - May 1969 edition	8.50 ea.
CA-1969-6	Ford Times - June 1969 edition	8.50 ea.
CA-1969-7	Ford Times - July 1969 edition	8.50 ea.
CA-1969-8	Ford Times - August 1969 edition	8.50 ea.
CA-1969-10	Ford Times - October 1969 edition	8.50 ea.
CA-1969-11	Ford Times - November 1969 edition	8.50 ea.
CA-1970-1	Ford Times - January 1970 edition	8.50 ea.
CA-1970-2	Ford Times - February 1970 edition	8.50 ea.
CA-1970-4	Ford Times - April 1970 edition	8.50 ea.
CA-1970-10	Ford Times - October 1970 edition	8.50 ea.
CA-1970-12	Ford Times - December 1970 edition	8.50 ea.
CA-1971-1	Ford Times - January 1971 edition	8.50 ea.
CA-1971-2	Ford Times - February 1971 edition	8.50 ea.



MAGAZINE - FORD TIMES - SMALL MAGAZINE

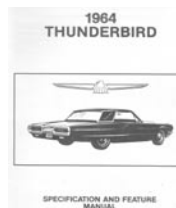
CA-1971-4	Ford Times - April 1971 edition		8.50 ea.
CA-1971-5	Ford Times - May 1971 edition		8.50 ea.
CA-1971-6	Ford Times - June 1971 edition		8.50 ea.
CA-1971-8	Ford Times - August 1971 edition		8.50 ea.
CA-1971-9	Ford Times - September 1971 edition		8.50 ea.
CA-1971-10	Ford Times - October 1971 edition		8.50 ea.
CA-1972-1	Ford Times - January 1972 edition		8.50 ea.
CA-1972-3	Ford Times - March 1972 edition		8.50 ea.
CA-1972-4	Ford Times - April 1972 edition		8.50 ea.
CA-1972-7	Ford Times - July 1972 edition		8.50 ea.
CA-1972-10	Ford Times - October 1972 edition		8.50 ea.
CA-1972-11	Ford Times - November 1972 edition		8.50 ea.

THUNDERBIRD WIRING DIAGRAM MANUALS

MP-37	Thunderbird Wiring Diagram Manual	1963	8.00 ea.
MP-38	Thunderbird Wiring Diagram Manual	1964	8.00 ea.
MP-39	Thunderbird Wiring Diagram Manual	1965	8.00 ea.
MP-40	Thunderbird Wiring Diagram Manual	1966	8.00 ea.
MP-60	Thunderbird Wiring Diagram Manual	1962	8.00 ea.
MP-71	Thunderbird Wiring Diagram Manual	1961	8.00 ea.
MP-98	Thunderbird Wiring Diagram Manual	1958	8.00 ea.
MP-99	Thunderbird Wiring Diagram Manual	1959	8.00 ea.
MP-100	Thunderbird Wiring Diagram Manual	1960	8.00 ea.
CA-5534	Ford & Thunderbird Wiring Diagram Manual	1955	8.00 ea.
CA-5634	Ford & Thunderbird Wiring Diagram Manual	1956	8.00 ea.
CA-5734	Ford & Thunderbird Wiring Diagram Manual	1957	8.00 ea.

THUNDERBIRD BOOKS

MP-12	Thunderbird Convertible Top Repair & Adjustment Manual	1961-63	8.00 ea.
MP-16	Thunderbird Feature & Specification Manual	1963	8.00 ea.
MP-17	Thunderbird Feature & Specification Manual	1964	8.00 ea.
MP-18	Thunderbird Feature & Specification Manual	1965	8.00 ea.
MP-19	Thunderbird Feature & Specification Manual	1966	8.00 ea.
MP-59	Thunderbird Convertible Top Repair & Adjustment Manual	1964-66	8.00 ea.
MP-314	Thunderbird I.D. Decoder Manual	1955-70	8.00 ea.
TB-5523	An Illustrated History of the Thunderbird - 320 pages		47.00 ea.
TB-5535	Catalog of Thunderbird Identification Numbers	1955-93	20.00 ea.



MP-17
THUNDERBIRD
FEATURE &
SPECIFICATION
MANUAL

MP-314
THUNDERBIRD I.D.
DECODER MANUAL



New Ford Seat



Perfect for:
Bench Racing Sessions
Game/Diner Rooms
Birthday/Holiday Gifts
Car Shows/Garages
Memorabilia Collections



3001

*All seats have white tops
with blue side bands.*

- *Authentic Logo Design*
- *Sturdy Tube Steel Frame*
- *Durable 12 Gauge Vinyl Seat Cover*
- *Made In The U.S.A.*

Model 401-F

*1 ring, with swivel seat
blue logo on white \$82.50*



704-786-8139

THUNDERBIRD ASSEMBLY MANUALS

AM-98	Electrical Assembly Manual	1955	20.00 ea.
AM-96	Electrical Assembly Manual	1956	20.00 ea.
AM-92	Body / Trim / Sealant Assembly Manual	1957	30.00 ea.
AM-94	Electrical Assembly Manual	1957	20.00 ea.
AM-65	Body / Trim / Sealant Assembly Manual	1958	30.00 ea.
AM-62	Body / Trim / Sealant Assembly Manual	1959	30.00 ea.
AM-64	Electrical Assembly Manual	1959	20.00 ea.
AM-59	Body / Trim / Sealant Assembly Manual	1960	30.00 ea.
AM-60	Electrical Assembly Manual	1960	20.00 ea.
AM-55	Body / Trim / Sealant Assembly Manual	1961	30.00 ea.
AM-57	Electrical Assembly Manual	1961	20.00 ea.
AM-91	Body / Interior Assembly Manual	1962	30.00 ea.
AM-93	Electrical Assembly Manual	1962	20.00 ea.
AM-52	Body / Interior Assembly Manual	1963	30.00 ea.
AM-54	Electrical Assembly Manual	1963	20.00 ea.
AM-51	Body Assembly Manual	1964	30.00 ea.
AM-53	Electrical Assembly Manual	1964	20.00 ea.
AM-56	Body Assembly Manual	1965	30.00 ea.
AM-58	Electrical Assembly Manual	1965	20.00 ea.
AM-61	Body Assembly Manual	1966	30.00 ea.
AM-63	Electrical Assembly Equipment Manual	1966	20.00 ea.
AM-153	Engine Equipment Assembly Manual	1963	20.00 ea.
AM-154	Engine Equipment Assembly Manual	1964	20.00 ea.
AM-155	Engine Equipment Assembly Manual	1965	20.00 ea.
AM-156	Engine Equipment Assembly Manual	1966	20.00 ea.
AM-157	Engine Equipment Assembly Manual	1967	20.00 ea.
AM-159	Engine Equipment Assembly Manual	1969	20.00 ea.
AM-202	Standard & Utility Parts Catalog	1965	20.00 ea.
AM-203	Standard & Utility Parts Catalog	1966	20.00 ea.

OWNERS MANUAL

TB-5510	Thunderbird Owners Manual	1955	10.00 ea.
TB-5610	Thunderbird Owners Manual	1956	10.00 ea.
TB-5710	Thunderbird Owners Manual	1957	10.00 ea.
TB-6210	Thunderbird Owners Manual	1962	18.00 ea.
TB-6310	Thunderbird Owners Manual	1963	18.00 ea.
TB-6410	Thunderbird Owners Manual	1964	18.00 ea.
TB-6510	Thunderbird Owners Manual	1965	18.00 ea.
TB-6610	Thunderbird Owners Manual	1966	18.00 ea.



TB-5510
OWNERS
MANUAL

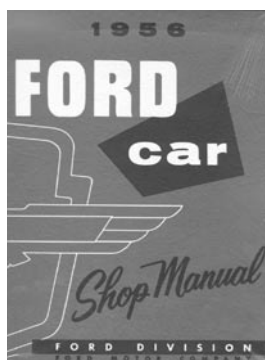
TB-6210
OWNERS
MANUAL



TAILGATE SHOP MANUAL

CA-5500	Ford & Thunderbird Shop Manual	1955	35.00 ea.
CA-5600	Ford & Thunderbird Shop Manual	1956	35.00 ea.
CA-5700	Ford & Thunderbird Shop Manual	1957	30.00 ea.
CA-6000-TB	Thunderbird Shop Manual	1960	35.00 ea.
CA-6100-TB	Thunderbird Shop Manual	1961	35.00 ea.
CA-6200-TB	Thunderbird Shop Manual	1962	35.00 ea.
CA-6400-TB	Thunderbird Shop Manual	1964	35.00 ea.
CA-6500-TB	Thunderbird Shop Manual	1965	35.00 ea.
CA-6600-TB	Thunderbird Shop Manual	1966	35.00 ea.
CA-3600	Steering Wheel Restoration Book	1654-62	13.00 ea.
HEMM	Hemmings Motor News Magazine		6.00 ea.

TB-5710
OWNERS
MANUAL



CA-5600
1956 SHOP
MANUAL



CA-6000-TB
1960SHOP
MANUAL

CA-6600-TB
1966SHOP
MANUAL



INFORMATION BOOKLETS

THE FOLLOWING ARE BRIEF TECHNICAL INFORMATION BOOKLETS FOR ALL TYPES OF PASSENGER CARS BY ETHYL CORPORATION AND CONSIST OF ABOUT 35 PAGES

PD-1958		1958	2.00 ea.
PD-1959		1959	2.00 ea.
PD-1960		1960	2.00 ea.
PD-1961		1961	2.00 ea.
PD-1962		1962	2.00 ea.
PD-1965		1965	2.00 ea.
PD-1967		1967	2.00 ea.

PARTS & ACCESSORIES CATALOGS

CA-4915-6	Parts & Accessories Text & Illustrations Catalog	1949-59	200.00 set
CA-6015-6	Parts & Accessories Text & Illustrations Catalog	1960-64	200.00 set

ORIGINAL SALES BROCHURES

CA-3250	How to Be an Expert Driver - By Al Esper, Chief Test Driver for Ford Motor Company- 18 pgs.		25.00 ea.
CA-6230-1	Full Color Fold Out Sales Brochure featuring the 1962 Fords - Shows all body styles	1962	10.00 ea.
CA-6430	Full Color Sales Brochure featuring the 1964 Fords shows all body styles - 12 pages	1964	15.00 ea.
CA-6530	Full Color Sales Brochure featuring the 1965 Fords	1965	15.00 ea.
	The Five Different Total Performance Cars! - Mustang, Falcon, Fairlane, Thunderbird		
CA-6630	Full Color Sales Brochure featuring the 1966 Fords - America's Total Performance Cars	1966	15.00 ea.
CA-6730	Full Color Sales Brochure featuring the 1967 Fords - Mustang, Falcon, Fairlane, T-Bird	1967	15.00 ea.
CA-6730-2	Buyer's Digest of New Car Facts for the 1967 Fords	1967	12.00 ea.
CA-6830	Full Color Sales Brochure featuring the 1968 Fords - Mustang, Falcon, T-Bird, Torino	1968	10.00 ea.
CA-6930-2	Buyer's Digest of New Car Facts for 1969 Fords	1969	15.00 ea.
CA-6930-4	Exterior Color Chart for 1969 Fords	1969	15.00 ea.

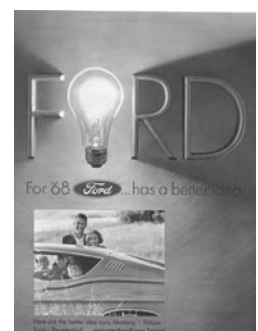


CA-3250



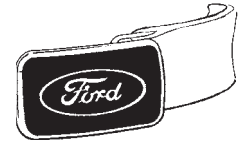
CA-6230-1

CA-6830



PARTS & ACCESSORIES CATALOGS

BBT-1 Belt Buckle - T-Bird **19.50 ea.**



KEY CHAIN

KC-2 Key Chain - Ford Script - Plastic (give away from dealers in the '50's) **4.50 ea.**



KC-1 Key Chain - Ford Script - Metal **5.00 ea.**



KEY CHAIN
KC-2



KEY CHAIN
KC-1

MISCELLANEOUS PARTS

352873-S Metal Wire Grommet - Small 11/16" dia. **4.00 ea.**

352873-L Metal Wire Grommet - Large 25/32" dia. inner fender RH or LH 1958-59 **4.00 ea.**

376875-S Plastic Tie Strap in Black - 7 1/2" long **.25 ea.**

BUMPER STICKERS

DF-361 Ford Script Bumper Sticker - 3-1/2" **3.00 ea.**

DF-362 Ford Oval Decal - 6 1/2" **4.50 ea.**

DF-363 Ford Oval Decal - 9 1/2" **5.00 ea.**

DF-364 Ford Oval Decal - 17" **6.00 ea.**

DF-1388 Ford Oval Decal "Blue on Clear" - 3-1/2" **3.00 ea.**

DF-1389 Ford Oval Decal "Blue on Clear" - 6-1/2" **4.50 ea.**

DF-1390 Ford Oval Decal "Blue on Clear" - 9 1/2" **5.00 ea.**

DF-1391 Ford Oval Decal "Blue on Clear" - 17" **6.00 ea.**



DF-363

LICENSE PLATE RELATED PARTS

LP-2A	License Plate Bolt with Glass Reflector - Amber	6.00 ea.
LP-2B	License Plate Bolt with Glass Reflector - Blue	6.00 ea.
LP-2G	License Plate Bolt with Glass Reflector - Green	6.00 ea.
LP-2R	License Plate Bolt with Glass Reflector - Red	6.00 ea.
20327-S8	Bolt - 5/16" x 24 x 9/16"	.75 ea.
20327-SK	Bolts - Package of 50	22.00 pk.
	FITS THE FOLLOWING:	
	Door hinges to body on door bolts	
	Hood hinge to bracket & to hood bolts	
	Radiator support to fender apron	
353483-S	Bolt - 5/16" x 24 x 1"	.50 ea.
353483-SET	Bolts - Package of 50	20.00 pk.
	FITS THE FOLLOWING:	
	Trunk lid to hinge & hinge to body bolts - 1961-64 T-Bird	
	Radiator support to air deflector bolts - 1961-66 T-Bird	
	Radiator support to front end sheet metal bolts - 1961-66 T-Bird	
	Radiator to radiator support bolts - 1965-66 T-Bird	



MAGNETIC SIGNS

MM-2	Look, But Please Don't Touch	6.00 ea.
MM-3	Look and Enjoy, But Please Don't Touch	6.00 ea.

BULBS

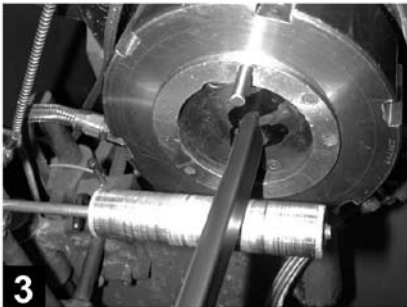
C3VY-13466-A	Map, Dome, Instrument, Luggage bulb #631 12 volt double filament	1963-71	2.00 ea.
--------------	--	---------	-----------------



1



2



3



4



5



We're quick to point out that quality comes standard in all of our weather stripping.

Combine 31 years of manufacturing experience with 60 durometer E.P.D.M. dense rubber compound and you get a rear window seal that not only holds 50 lbs. of safety glass in place but better resists drying and shrinking from the sun's harmful ultraviolet rays.

At Dennis Carpenter Reproductions beginning with quality ingredients is the secret to making quality weather stripping products. Ethylene Propylene-Diene Monomer (E.P.D.M.) sponge rubber is yet another polymer based compound that we use to make our door seals because of its excellent ability to rebound back into shape after compression. What that means is you get doors that close soundly with a water tight seal.

You've heard it all your life, "You get what you pay for" and with Dennis Carpenter Reproductions you get exactly that, quality weather stripping products designed specifically to fit your classic Ford car or truck.

Sure you may save a few bucks by trying to fit bargain brand, one-size-fits-all weather stripping to your classic Ford but in the end you will probably be replacing it long before you thought you would. You can review more information on what Dennis Carpenter Ford Reproductions has for your classic Ford by cruising our web site.



www.dennis-carpenter.com

1. The rubber extrusion machine at Dennis Carpenter Reproductions extends over 92 feet and is capable of producing 25,000 feet of sponge rubber weather stripping a day.
2. At the beginning of the rubber extrusion process strips of raw rubber compound are pulled into the machine and heated to 425 degrees.
3. The molten sponge rubber is then injected and pulled through a mold which replicates the cross section shape of the weather stripping. The black strip coming from the center of the circular mold is the weather stripping being pulled through the mold.
4. The circular object in the center of this photo is an extrusion mold. Molten rubber is squeezed through this mold which in the end produces the desired shape of weather stripping. The variations of mold shapes and sizes are seemingly endless. Cross sectioned weather stripping samples can be seen surrounding the extrusion mold.
5. After the weather stripping has been pulled through the curing, cleansing, and cooling baths, it is coiled and stored in boxes. Later it will be used to produce specific door or trunk weather stripping.



www.dennis-carpenter.com

DENNIS CARPENTER EMBROIDERED CASUAL WEAR

Ultra Cotton Heavyweight GOLF Shirts

\$22

on Golf Shirts ONLY and while supplies last

Ultra Cotton Golf Shirt

99% cotton preshrunk, 1% polyester.

DCF-3800 Dennis Carpenter Ford Golf Shirt. **\$22.00**

DCT-3800 Carpenter Ford Tractor Golf Shirt. **\$22.00**

DCC-3800 Carpenter Cushman Golf Shirt. **\$22.00**

Be sure to indicate what size you need!

Adult size shirts from S to XXXL

FREE SHIPPING!

on Golf Shirts ONLY and while supplies last



Classic 1940 Convertible

Classic Cushman Scooter

Classic Ford Tractor



TO ORDER

TOLL FREE: 1-800-476-9653

ONLINE: www.dennis-carpenter.com

FAX: 704-786-8180 (Please allow 2 weeks for delivery)



Comes in Black or Khaki



Khaki or Black Colored All-Star Caps

100% brushed cotton, low profile cap with velcro back.

DCF-2917 Khaki Dennis Carpenter Ford Cap. **\$15.00**

DCF-2917-B Black Dennis Carpenter Ford Cap. **\$15.00**

DCT-2917 Khaki Carpenter Ford Tractor Cap. **\$15.00**

DCT-2917-B Black Carpenter Ford Tractor Cap. **\$15.00**

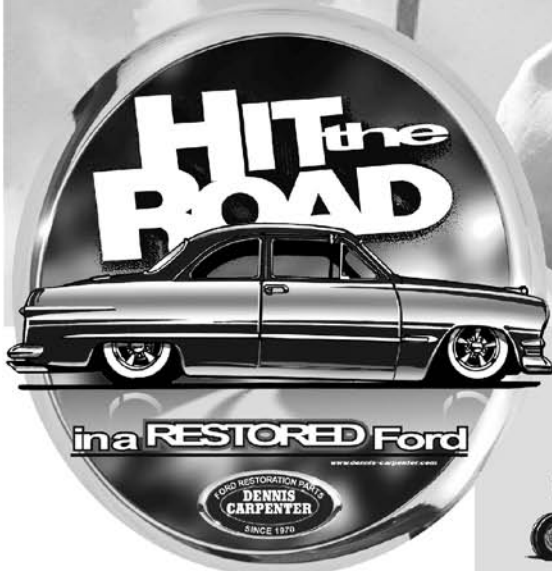
DCC-2917 Khaki Carpenter Cushman Cap. **\$15.00**

DCC-2917-B Black Carpenter Cushman Cap. **\$15.00**

MAIL TO: Dennis Carpenter Ford Reproductions 4140 Concord Parkway So., Concord, NC. 28027

NEW DC tees
get one
FAST

All 3 new designs screen printed on LIGHT GRAY Gildan Activewear heavy weight ULTRA COTTON shirts and each has a discrete Dennis Carpenter logo printed on the front.



killer coupe
midnight blue '50 laid out flat

\$10.00 each
#CART-M
#CART-L
#CART-XL
#CART-XXL
#CART-XXXL

pocket size
on the front



slammed '56
midnight blue truck sweep'n the street

\$10.00 each
#TRUCKT-M
#TRUCKT-L
#TRUCKT-XL
#TRUCKT-XXL
#TRUCKT-XXXL

pocket size
on the front



TRACTOR



tractors x 2

881 and 8N rendered in True Ford colors

\$10.00 each
#TRACT-M
#TRACT-L
#TRACT-XL
#TRACT-XXL
#TRACT-XXXL

pocket size
on the front



Thunderbird

Index

A

A/C SEAL KIT	61
ACCELERATOR PEDALS	33
AIR CLEANER	33
AIR CLEANER DECALS	75
AIR CONDITIONER RELATED	16-17
AIR DUCT CLAMP	30
ALTERNATOR RELATED	35
ANTENNAS	61
ANTI-RATTLER KITS	65
ASSEMBLY MANUALS	84
AXLE PARTS	20

B

BACK-UP LIGHT PARTS	54
BACK EDGE OF VENT WINDOW SEALS	65
BACK WINDOW SEAL	71
BALL JOINTS	17
BATTERY RELATED	35
BEARINGS	24
BODY MOULDING CLIP	75
BOOKLETS	86
BOOKS	82
BRAKE HOSES	15
BRAKE PARTS	12
BRAKE PEDAL RELATED	16
BRAKE SHOES & LININGS	12
BULBS	88
BUMPERS	73
BUMPER BOLTS	59
BUMPER EMBLEM	59
BUMPER STICKERS	87

C

CAMSHAFT PARTS	25
CARBURETOR KITS	33
CIGAR LIGHTER ELEMNET AND WELL ASSEMBLY	53
CLAMPS	30
CLUTCH RELATED	16-17, 29
COAT HANGER COVER	71
CONTROL ARM BUSHINGS	17
CONVERTIBLE RELATED PARTS	74
CONVERTIBLE TOP KIT	73
COWL LACING KITS	56
COWL SIDE VENTILATOR	61
CRANKSHAFT PARTS	25

CYLINDER HEAD	23
---------------------	----

D

DASH BEZEL SEALS	35
DASH KNOBS	38
DECALS	75-77
DEFROSTER HOSE	60
DISTRIBUTOR PARTS	40
DOOR BUMPERS	69
DOOR HINGE BUSHING	66
DOOR PARTS	66-68
DOOR SEAL KITS	64

E

ELECTRICAL GLASS FUSES	53
EMBLEMS	56, 59, 64-65
ENGINE COMPARTMENT DECALS	76, 77
ENGINE DAMPER	24
ENGINE GASKETS	24
ENGINE PAINT	22
ENGINE RELATED	23-24
EXHAUST DEFLECTORS	60

F

FENDER ASSEMBLY	55
FENDER EMBLEMS	56
FENDER SKIRT SEAL	70
FENDER WEATHERSTRIPPING	55
FIREWALL COVER CLIP	61
FLEXIBLE FUEL LINES	32
FLOOR PAN PLUGS	75
FLYWHEEL RELATED	25
FOG LAMPS	53
FRONT FENDER ASSEMBLY	55
FRONT FENDER WEATHERSTRIPPING	55
FRONT SUSPENSION PARTS	17, 21
FRONT WHEEL	10
FUEL LINES	32
FUEL PUMPS	32
FUEL TANK SENDING UNIT	31

G

GAS CAPS	31
GAS TANK DOOR BUMPERS	49
GAS TANK RELATED	31
GENERATOR RELATED	34
GLOVE BOX DOOR PARTS	64
GLUE	65, 73

H

HEADLIGHT BULBS	42
HEADLIGHT DIMMER SWITCH	50
HEADLIGHT SWITCH	37
HEATER HOSE CLAMPS	30-31

HEATER PARTS	60
HOOD BUMPERS	56
HOOD LOCK CAM BUMPER	57
HORN BUTTON	
PLASTIC INSERT	20
HORN RELATED	51
HORN SWITCH PARTS	51
HOSE CLAMPS	30
HUB CAPS	9

I

IGNITION SWITCH	37
INFORMATION BOOKLETS	86
INSTRUMENT CLUSTER	
VOLTAGE REGULATOR	35
INSTRUMENT LENS SEAL KIT	57
INTERIOR COMPARTMENT	
DECALS	77, 78

J

JACK	57
JACK INSTRUCTIONS	79

K

KEYS	20
KEY CHAIN	87

L

LICENSE PLATE LAMP	50
LICENSE PLATE RELATED	88

M

MAGAZINE - FORD TIMES	79-81
MAGNETIC SIGNS	88
MAIN BEARINGS	24
MANIFOLDS GASKETS	33
MANUALS	84, 85
MANUAL STEERING PARTS	18
MASTER CYLINDER	13
MIRRORS	59
MOTOR MOUNTS	22-23
MOULDING CLIP	65

N

NAME PLATE	55
NAME PLATES	70

O

OIL FILLER CAPS	27
OIL FILTER	27
OIL PAN	27
OIL PRESSURE SENDING UNIT	32
OIL PUMP	27
ORNAMENTS	56, 70

P

PADDED DASH	63
PAINT	22
PARK BRAKE	16
PARK LIGHT	44-45
PISTONS	23
PISTON RINGS	23

R

RADIATOR GRILLE RELATED	29
RADIATOR HOSES	30
RADIATOR HOSE CLAMPS	30
RADIATOR RELATED	29
REAR AXLE PARTS	20
REAR BUMPER EMBLEM	59
REAR FLOOR PAN	
DRAIN VALVE	64
REAR LICENSE PLATE LAMP	50
REAR SEAT SPEAKER KIT	61
REAR SPRING SHACKLE PARTS	21
REAR WHEEL	11
ROCKER PANEL	64
ROD BEARINGS	24
ROOF RAILS WEATHER STRIP	74
ROOF SIDE ORNAMENT	72

S

SALES BROCHURES	86
SCUFF PLATES	64
SEAT SHOULDER STRAP BOOT	73
SIDE MARKER LAMP RELATED	54
Slushing Compound	31
SPARK PLUG WIRES	41
SPEEDOMETER CABLE	
AND HOUSING	57
SPEEDOMETER CABLE	
CONNECTOR	57
SPEEDOMETER DRIVEN GEAR	57
SPEEDOMETER FACE DIAL	57
SPRING SHACKLE PARTS	21
STABILIZER BAR END	
REPAIR KITS	21
STARTER PARTS	36
STEERING PARTS	18-19
STOP LIGHT SWITCH	49
STRIKER PLATE ASSEMBLY	65
SUN VISOR RELATED	62-63
SUSPENSION PARTS	17, 21

T

TAILGATE PARTS	50-53
TAILGATE SHOP MANUAL	85
TAILLIGHT PARTS	46-49
TEMPERATURE SENDER	35
THERMOSTAT	30
THUNDERBIRD NAME PLATE	55

TIE ROD ENDS	18
TRANSMISSION COLUMN	
PARTS	28
TRANSMISSION MOUNTS	22
TRANSMISSION RELATED	28
TRUNK LID RELATED	71
TRUNK LID SEAL	72
TURN SIGNAL PARTS	45

V

VALVES	26
VALVE COVER DECALS	75
VENT WINDOW SEALS	65

W

WATER PUMPS	30
WHEEL BEARINGS	10, 11
WHEEL CYLINDER ASSEMBLIES	14–15
WHEEL SEALS	10, 11
WINDOW ESCUTCHEONS	71
WINDOW SEAL	71
WINDSHIELD DEFROSTER	
HOSE NOZZLE SEAL	59
WINDSHIELD SEALS	62
WINDSHIELD WASHER PARTS ...	58
WIPER PARTS	58
WIRING DIAGRAM MANUALS	82
WIRING HARNESS	52–53

CUSTOMER INFORMATION:

Name: _____
 Address: _____
 City: _____ State: _____ Zip Code: _____
 E-MAIL _____
 (Please provide your email address if available, VERY IMPORTANT outside of the USA.)

Customer Number: _____
 Catalog Publish Date: _____
 (Found on front cover)

VEHICLE INFORMATION:
 CAR TRUCK TRACTOR SCOOTER
 BODY STYLE _____ YEAR _____

SHIP TO: (If different from Bill To: address)

Name: _____
 Address: _____
 City: _____ State: _____ Zip Code: _____

(REQUIRED) DAYTIME PHONE:

Work () _____
 Home () _____
 FAX _____
 (In case we need to call about your order
 - Can NOT Ship Internationally Without Number.)



Call Toll-Free

For Part # Orders ONLY: 1-800-476-9653

Tech Assisted Orders: 1-704-786-8139

FAX Your Order: 1-704-786-8180

Mon. thru Fri. 8:00 AM to 5:00 PM, Sat. 9:00 AM to 12:00 PM
 4140 Concord Parkway S. Concord, NC 28027
 Order Parts & Catalogs online at: www.dennis-carpenter.com

Payment Method - Please Indicate Your Choice

Personal Check MasterCard Discover
 Cashier's Check Visa
 Money Order Amex (Must have your address
 as shown on statements)

Account Number:

Expiration Date: _____
 Verification Number: _____
(Orders will NOT be processed without Verification Number)
*Last 3 digits in signature strip on back, right of card
 4 digits on front for AMEX
 (Small, printed together).*

Name (please print) _____

Signature _____

QTY	PART NUMBER	DESCRIPTION	UNIT PRICE	TOTAL PRICE

Thanks for shopping with Dennis Carpenter!

OVER
 (Be sure to check this box if you have items listed on the reverse side)

SUBTOTAL	
Enter TOTAL from other side	
TAX: N.C. Residents Only 7% Sales Tax	
SHIPPING: \$8.00 minimum See Shipping Information Page for details.	
INSURANCE: \$.50 per \$100.00 purchase. (Added to every order)	
GRAND TOTAL	

QTY	PART NUMBER	DESCRIPTION	UNIT PRICE	TOTAL PRICE

TOTAL <small>Enter TOTAL on Front Side.</small>	
---	--

Merchandise Return:

Please inspect the merchandise upon arrival. Returns within 30 days of shipping date are acceptable. After 30 days a 20% restocking charge will be applied. After six months a 50% restocking charge will be applied. For no reason will merchandise be accepted after one year. All returned merchandise must be accompanied by a copy of the invoice, a merchandise return authorization form included with your order and a return authorization number.

Damage Claims:

All claims must be taken up with Dennis Carpenter Reproductions within 7 days of receipt. Please keep merchandise in the original carton for the carrier to inspect. No claims accepted after 15 days.

- Don't forget to order a FORD catalog. All catalogs free with orders.*
- | | |
|--|--|
| <input type="checkbox"/> 32-48 Car | <input type="checkbox"/> 32-47 Truck |
| <input type="checkbox"/> 49-51 Car | <input type="checkbox"/> 48-56 Truck |
| <input type="checkbox"/> 52-56 Car | <input type="checkbox"/> 57-66 Truck & 61-67 Econoline |
| <input type="checkbox"/> 57-59 Car | <input type="checkbox"/> 67-79 Truck |
| 58-60 Edsel | <input type="checkbox"/> 80-89 Truck |
| <input type="checkbox"/> 55-66 Thunderbird | <input type="checkbox"/> 66-79 Bronco |
| <input type="checkbox"/> 60-64 Galaxie | <input type="checkbox"/> 39-54 Ford Tractor |
| <input type="checkbox"/> 65-72 Galaxie | <input type="checkbox"/> 36-66 Cushman |
| <input type="checkbox"/> 60-66 Falcon | |
| <input type="checkbox"/> 62-79 Fairlane | |