

2008
WWW.DENNIS-CARPENTER.COM

SHOP ONLINE

FORD
TRUCK **48-56**



This 1949 F-1 Ford Pickup
is owned by Donald West of
Mooresville, NC.

1

1/2 Miles N. of
LOWE'S Motor Speedway
4140 Concord Parkway S.

Weather Stripping • Sheet Metal • Molded Rubber & Plastics • Trim Parts

FREE PARTS DELIVERY



Here's a chance to eliminate the shipping fees from your Dennis Carpenter parts purchases in 2008. Plan on attending one of the automotive swap meets or auto shows listed below and Dennis Carpenter will bring your purchase to our show site at that event free of charge! You come by our show site and pick up your order. It's that simple! This opportunity saves you money on any purchases made from Dennis Carpenter and can especially save you on over-sized parts purchases. It just goes to show that a little planning now can save you big bucks later!

TO PLACE FREE DELIVERY ORDERS:

To receive the free delivery offer you must place your order at least 7 working days in advance of the event you plan on attending and full payment of the parts purchase will be required. Inform the person taking your order which show you will attend and on what day so that your order will be ready for pick up upon your arrival.

Place your order TOLL FREE

Monday-Friday, 8 to 5 Eastern Standard Time



1-800-476-9653

Dennis Carpenter attends the following auto events in 2008

Spring Moultrie Jan 31-Feb 2, 2008
Moultrie Auto Swap Meet, Moultrie, GA.

Spring Charlotte AutoFair April 3-6, 2008
Lowe's Motor Speedway, Charlotte, NC. (row HB space 40)

Spring Carlisle April 23-27, 2008
Carlisle Fairgrounds, Carlisle, PA. (row D space 41)

F100 Super Nationals May 15-17, 2008
Chilhowee Park, Knoxville, TN.

All Ford Nationals. June 6-8, 2008
Carlisle Fairgrounds, Carlisle, PA. (row D space 41)

Back To The 50s Car Show June 20-21, 2008
Minnesota State Fairgrounds, St. Paul, MN.

Early Ford V8 Club Nationals July 14-19, 2008
Great Lakes Center, Dearborn, MI.

Syracuse Nationals. July 18-20, 2008
New York State Fairgrounds, Syracuse, NY

Street Rod Nationals. . . . July 31-Aug 2, 2008
Kentucky State Fairgrounds, Louisville, KY (Expo Center)

Fall Charlotte Autofair. Sept 4-6, 2008
Lowe's Motor Speedway, Charlotte, NC. (row HB space 40)

Shades Of The Past Car Show Sept 5-6, 2008
Pigeon Forge, TN

Smokey Mountain Auto Fest. . . Sept 26-27, 2008
Smokey Stadium, Sevierville, TN.

Fall Carlisle. Oct 1-4, 2008
Carlisle Fairgrounds, Carlisle, PA. (row D space 41)

Fall Moultrie. Nov 21-22, 2008
Moultrie Auto Swap Meet, Moultrie, GA.

Ford Tractors Events

Ford / Fordson Tractor Annual Meet . . July 1-5, 2008
Denton Farm Park, Denton, NC.

State Tractor Show Aug 19-23, 2008
Portland Fairgrounds, Portland, IN.

Cushman Motor Scooter Events

Cushman Scooter Nationals. . June 16-20, 2008
Farmington Fairgrounds, Farmington, MN.

Vintage Motorbike Meet July 15-19, 2008
Portland Fairgrounds, Portland, IN.

SPECIAL FORD PARTS SALE Sept 4-6, 2008

Parts for Classic Ford Cars and Pickups
NEW OLD STOCK (Genuine Ford) PARTS
BARGAIN FORD PARTS
SCRATCH & DENT FORD PARTS

SPECIAL SALE at Dennis Carpenter Ford Parts
4140 Concord Parkway So., Concord, NC 28027
(during Fall Charlotte AutoFair '08)

Only 2 minutes North of the Lowe's Motor Speedway
on Concord Parkway



4140 Concord Parkway So., Concord, NC. 28027
Parts Assistance: 704-786-8139 email: info@dennis-carpenter.com

General Information

Dennis Carpenter Reproductions is a manufacturer and seller of Ford restoration parts. All of the parts in this catalog, with the exception of new old stock Ford parts, are reproduction or equivalent replacement type parts of Ford Motor Company parts and are represented or referenced by original Ford part numbers.

Office Hours (Eastern Time):

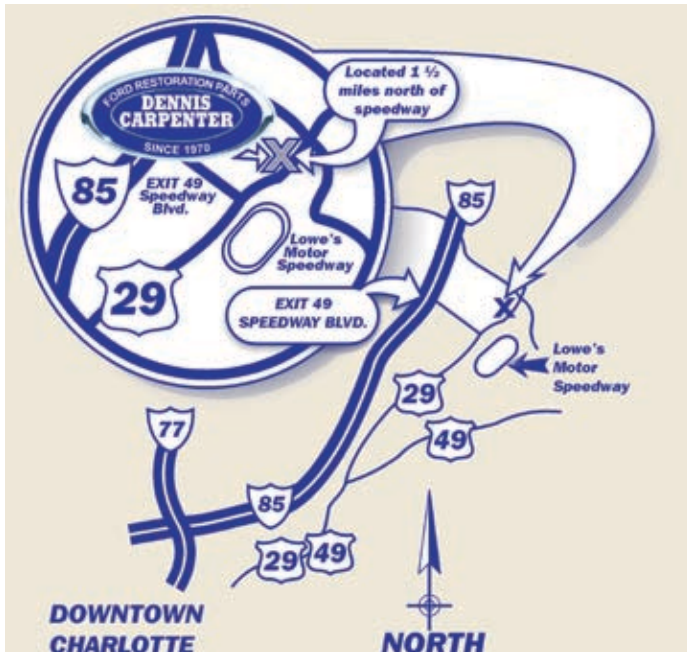
Monday through Friday 8:00 am - 5:00pm

Saturday 9:00am - 12 noon

We are closed the following holidays: New Year's Day, Memorial Day, July 4th, Labor Day, Thanksgiving Day, and Christmas Day. (If the holiday falls on Saturday, Friday will be taken. If the holiday falls on Sunday, Monday will be taken.)

Return Address:

4140 Concord Parkway, S.
Concord, North Carolina 28027



This catalog supersedes all previous editions, including prices. Due to supplier price increases and decreases **PRICES ARE SUBJECT TO CHANGE WITHOUT NOTICE.**

All rights reserved. No part of this publication may be copied, reproduced, stored in any retrieval system, communicated or transmitted in any form by any means without prior approval.

Carpenter Industries Inc.

Order a CATALOG:

Dennis Carpenter has over 17 catalogs to order from. To get a free catalog simply call us at

1-800-476-9653

Catalogs are sent bulk mail and may take 2 to 3 weeks for delivery.

Catalogs can also be ordered over our website. If you'd like a catalog sooner we can mail you one 1st class for only \$3 plus postage.



Customer Number

When you order with us for the first time you're assigned a customer number. This helps us easily keep track of your order. If you have one of our catalogs you can write down your customer number for easy reference in the bottom corner of the front cover of our catalog.

Payment

Although personal checks are welcome, expect a two week delay in shipping to allow the check to clear the bank. Money orders, bank certified checks, Discover, MasterCard, Visa, and American Express may also be used. No C.O.D.'s.



Due to supplier price increases and decreases, **PRICES ARE SUBJECT TO CHANGE WITHOUT NOTICE.**

Due to carrier rate increases shipping costs are subject to change without notice.

**Thank you for shopping with
Dennis Carpenter!**



How to Order

There are a number of convenient ways for you to order your parts from Dennis Carpenter Ford Reproductions. We have skilled operators waiting every day to take your order by phone. You can also send your order by fax, mail or go online. See all the details below for each of the ordering methods.



Phone

1-800-476-9653
Orders Only (Toll Free)



Our Phone Representatives are at your service Monday through Friday 8am 'til 5pm. Please have your customer number ready and all part numbers if calling on the toll free number.

Web

www.dennis-carpenter.com



If you have a computer and the internet jump online and visit us. There's tons of information on our website and we offer secure online ordering. Come see us today.

Fax

704-786-8180



Fax your completed order form along with year, make and model of the vehicle you are ordering for and your credit card information including the last 3 digits in signature strip on back, right of card, 4 digits on front for AMEX (small, printed together). Be sure to include a daytime phone number (including area code).

Mail



Please list year, make and model of vehicle for which you are ordering, complete part numbers, and description. Include daytime telephone number (including area code). Provide complete address with street name and house number. Mail to the mailing address below. If ordering with credit card please include the last 3 digits in signature strip on back, right of card, 4 digits on front for AMEX (small, printed together).



Thank you for shopping with Dennis Carpenter!

Order Information & Policies

To get decisive answers to your parts questions call the

Dennis Carpenter HELP LINE



Ordering the right parts the first time is essential to completing a successful and satisfying restoration. At Dennis Carpenter Reproductions we understand that this seemingly simple procedure can sometimes be challenging and we have just the group to help you through the process.

If you have concerns or questions about whether you are ordering the right parts for your Ford's restoration, a call to our Help Team will get you some decisive answers.

CARPENTER SHOWROOM



Be sure to visit our retail showroom in Concord, North Carolina, where you can purchase parts or browse our parts displays. We are located just 1 1/2 miles from LOWE'S Motor Speedway.

Using the Catalog

Below is an example of a listing in our catalog. It is broken up into separate columns to help you find the parts you need. In the first column is the original Ford part number. This is the number to use when ordering a part.

The second column contains a letter that corresponds to the letter found next to a part photo or illustration. This allows you to easily find and connect the part information to a picture.

In the third column is the model that the product fits followed by the year and the always competitive Dennis Carpenter price.

EXAMPLE LISTING

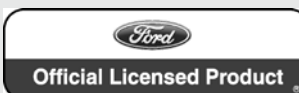
PART #	PIC	DESCRIPTION	MODEL	YEAR	PRICE
B9A-13532-A	(B)	Headlight Dimmer Switch	F100-350 Bronco	67-79 78-79	11.00 ea.
C5ZZ-13533	(C)	Headlight Dimmer Switch Rubber Cover	ALL		4.00 ea.



All of the parts in this catalog, with the exception of new old stock Ford parts, are reproduction or equivalent replacement type parts of Ford Motor Company parts and are represented or referenced by original Ford part numbers.



Reproduction Ford parts made from obsolete Ford tooling that are licensed by but not manufactured by Ford are identified as Classic Parts From Original Tooling.



A reproduction part that duplicates a Ford licensed by but not manufactured by Ford is identified as an Official Licensed Product.

Merchandise Returns:

Please inspect the merchandise upon arrival. Returns within 30 days of shipping date are acceptable. After 30 days a 20% restocking charge will be applied. After six months a 50% restocking charge will be applied. For no reason will merchandise be accepted after one year. All returned merchandise must be accompanied by a copy of the invoice, a merchandise return authorization form included with your order and a return authorization number. Failure to have a return authorization will result in a delay and your item will be held until we can process the claim. Please call 1-800-476-9653 for a return authorization number.

Claims:

All claims must be taken up with Dennis Carpenter Reproductions. Please inspect the merchandise upon receipt. If damage is found, contact our customer service dept. within 7 days. Please keep merchandise in the original carton for the carrier to inspect. No claims accepted after 15 days.

Electrical Items:

**ALL ELECTRICAL ITEMS ARE
NON-RETURNABLE**

ALL SALES ARE FINAL.

This includes Starters, Distributors, Distributor Caps, Coils, Points, Switches, Spark Plugs, Fuses, Light Bulbs, Wiper Motors & Pumps, and all Wiring Harnesses & Connectors.

Carburetor Returns:

Our carburetors are built to factory specifications and are in proper working condition when they leave our facility. During installation, be sure not to strip threads at any connections. Be sure there is no water or debris in the gasoline. Do not attempt to disassemble the carburetor or make any repairs. If you suspect the carburetor is defective call our CUSTOMER SERVICE DEPT @ 1-800-476-9653, OPTION 2 and request a Return Authorization Number.

Place the item back in the original packaging and return to Carpenter Industries via UPS GROUND only. When received back, we will test for any defective or damaged areas. If found to be defective, we will replace or issue a full refund, including return shipping. If the carburetor has been damaged during installation, no refund will be given and the carburetor will be returned to the customer at the customer's expense.

Warranty

We guarantee to replace or at our option, repair any product or parts which are found to be defective in material or workmanship within one year from the date of shipment. Our obligation with respect to such products or parts shall be limited to replacement or repair and in no event shall we be liable for consequential or special damages, or for transportation, installation, adjustment, or other expenses which may arise in connection with such products or parts. THIS WARRANTY EXPRESSLY MADE IN LIEU OF ANY AND ALL OTHER WARRANTIES EXPRESSED OR IMPLIED INCLUDING THE WARRANTIES OF MERCHANTABILITY AND FITNESS.



SHIPPING INFORMATION

Dennis Carpenter
Quality Ford Restoration Parts

Additional Handling Charges

The chart at right reflects shipping charges based on standard size items. Please allow an additional **\$20.00** for individual items over 60" in length or odd shaped and bulky items. For example: bed strips, bedwoods, bumpers, and exhaust pipes. Allow an additional \$40.00 for items such as tailgates, grille shells, floor pans, and firewall covers. Extremely large or heavy items such as fenders, fender aprons, doors, truck headliners, scooter bodies and frames will require a **\$80.00 - \$100.00** additional handling fee. These items are sometimes shipped by a freight truck, freight collect to your door, depending on where you are located in the USA.

Dimensional Weight

Even though a box only weighs 10 lbs., it may be necessary to ship it as 30 lbs, or more, depending on the overall size of the box. This is a requirement of the parcel carriers.

Next Day Air Service

Next Day Air Service is available.

Domestic Ground Shipments

Our preferred carriers are FedEx and UPS. We will make an exception to ship by the US Postal Service for orders valued under \$100.00, size allowing. Tracking numbers are not available for postal service orders. Parts orders being shipped by the postal service will not leave our facility until the following Thursday. Minimum shipping charge is \$10.00, regardless of shipping method.

International Shipments

Please call or e-mail for estimates on shipping charges for international shipments.

For Canada orders, all customs fees and shipping charges will be prepaid & added to the order total if shipping by ground. (If shipping by the US Postal Service or air service to Canada, only the shipping charges will be prepaid). CANADA CUSTOMS FEES ARE CALCULATED @ 24% OF THE PARTS ORDER VALUE (USD). FOR ALL OTHER COUNTRIES, THE SHIPPING CHARGES ONLY WILL BE PREPAID & CUSTOMS FEES WILL BE COLLECTED BY THE CARRIER AT TIME OF DELIVERY. Catalogs are mailed by the U.S. Postal Service.

Our preferred carriers are FedEx and UPS. We will make an exception to ship by the US Postal Service for orders valued under \$100.00 (USD), size allowing. Tracking numbers are not available for postal service orders. Please allow 30-45 days for delivery of orders by the postal service. No surface mail. Parts orders being shipped by the postal service will not leave our facility until the following Thursday.

Orders are shipped by our preferred carriers. Special services are available for an additional charge.

Please call for estimates on shipping charges for International Shipments.

Estimated Shipping Rates, Handling Charges and Special Services

Regardless of the size or value of the order, our minimum shipping and handling charge is \$10.00. Please review the chart below for rate ESTIMATES.

<u>Value</u>	<u>Rate</u>
\$0.01 - \$99.99.....	\$10.00*
\$100.00 - \$199.99....	\$13.00*
\$200.00 - \$299.99....	\$18.00*
\$300.00 - \$399.99....	\$21.00*
\$400.00 - \$499.99....	\$24.00*
\$500.00 - \$599.99....	\$27.00*
\$600.00 - \$699.99....	\$30.00*
\$700.00 - \$799.99....	\$33.00*
\$800.00 - \$899.99....	\$36.00*
\$900.00 - \$999.99....	\$39.00*

* Above rates include insurance & handling. Rates on values of 200.00 & up are approximate. The actual carrier charges plus insurance & handling will be applied.

\$1,000.00 - \$1,999.99:

Add 3% of the order value for shipping plus \$.50 per \$100.00 of order value for insurance = rate ESTIMATE

\$2,000.00 - \$3,499.99:

Add 2.5% of the order value for shipping plus \$.50 per \$100.00 of order value for insurance = rate ESTIMATE

\$3,500.00 and up:

Add 2% of the order value for shipping plus \$.50 per \$100.00 of order value for insurance = rate ESTIMATE

*(Additional charges may apply.
Read Additional Handling Charges
& Dimensional Weight Charges at left)*

What does it mean?

CLASSIC describes desirable Ford cars or trucks usually 25 years old or older such as aunt Edna's 1955 Fairlane 2 door Club Sedan.

A most important symbol assuring customers of the true origin and authenticity of the classic parts produced from this program. They're also the company responsible for making the tooling in the first place.

PARTS describes the pieces of which something as a whole is composed. For example the hub caps found on aunt Edna's 1955 Fairlane 2 door Club Sedan.



FROM is a function word to indicate the source.

These numbers identify Dennis Carpenter Ford Reproductions as the first member of a select group to manufacture parts off original tooling, parts which comply with quality standards established by Dennis Carpenter and the Ford Motor Company. What this means is that we've dusted off certain tooling and starting using them again, continuing to make quality parts as good as the Ford originals.

ORIGINAL TOOLING describes the stamping dies, injection molds, roller dies and other tools of mass production that the Ford Motor Company used to manufacture the parts necessary to assemble their cars and trucks.

An example of Original Ford Tooling at Work

METAL STAMPING

Below a piece of .038 sheet steel has just been pulled from the first stage of a 6 stage stamping process which will ultimately produce 1961-66 Ford Truck headlight bezels. The initial shape of the bezel is easily recognizable within the pressed metal sheet.



AUTHENTIC FORD FORMING DIES

At left, a final stamping stage bezel rests in the bottom half of the two piece forming die. 12 sets of dies are required to produce both the left and right headlight bezels, a tremendous amount of machinery to produce these seemingly simple parts.



MADE ON
The ORIGINAL Ford Dies



1961-66 F100/700 HEADLIGHT BEZEL

Our stamped steel headlight bezels are shaped EXACTLY as the Ford originals and are available as unpainted steel or as shown above, dipped in our trademark triple chrome plating. A pair of chrome headlight bezels (left & right) are part #C1TZ-13064-PR.

LUG NUT & BOLT

PART #	PIC	DESCRIPTION	YEAR	PRICE
B-1012	(C)	Lug Nut	32-72	.50 ea.
8A-1107-A	(D)	Lug Bolt - Front or Rear - 1/2 ton only	48-56	2.50 ea.



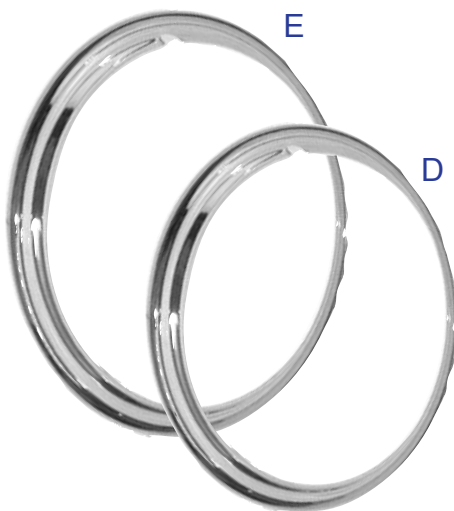
VALVE STEM EXTENSION

PART #	DESCRIPTION	YEAR	PRICE
8A-1705	-3/4" Long, Set of (4)	ALL	1.00 set



OUTER BEAUTY RINGS

PART #	PIC	DESCRIPTION	PRICE
Our outer beauty rings are 100% stainless steel!			
6A-18303-15	(D)	- for 15" wheels	25.00 ea.
6A-18303-16	(E)	- for 16" wheels	25.00 ea.



HUB CAPS

PART #	PIC	DESCRIPTION	YEAR	PRICE
6A-1130-A	(A)	- 8" Dia. - F1 & F100 - Polished Stainless Steel	48-60	27.50 ea.
6A-1130-AS	(A)	- 8" Dia. - SAVE & order a complete set of (4)		100.00 set
2J-1130-A	(B)	- 9" Dia. - Polished Stainless Steel - 3/4 ton truck - F250-350	48-56	40.00 ea.



A



QUALITY High Grade Polished Stainless Steel
Will not rust, Lasts Forever



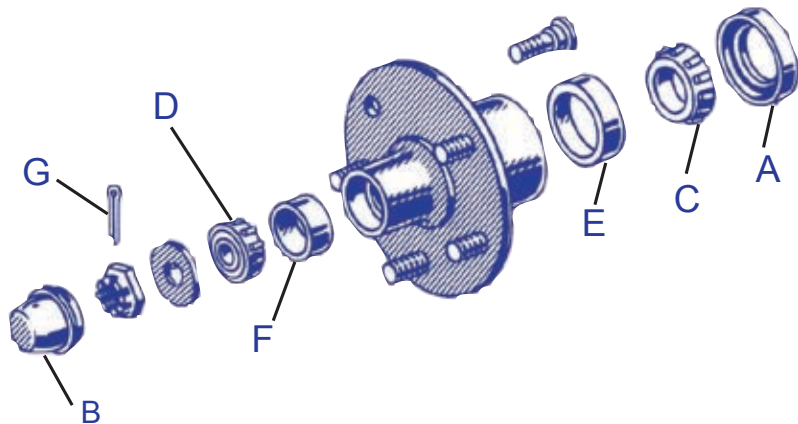
B



Our polished stainless steel hubcaps will make heads turn as you're cruising down neighborhood streets or setting up at the local car show.

FRONT WHEEL BEARINGS & SEALS

PART #	PIC	DESCRIPTION	YEAR	PRICE
01Y-1190-A	(A)	<u>Inner Drum Seal</u> - Front - F1, 2, 3	48-56	5.00 ea.
51A-1139	(B)	<u>Front Hub Grease Cap</u> - Push on type - 1 15/16" I.D.	48-56	5.00 ea.
C3TZ-1190-C	(A)	<u>Front Hub Grease Seal</u> - 4 1/8" O.D. for 2 7/8" Shaft	53-55	7.00 ea.
01Y-1201	(C)	<u>Front Wheel Bearing</u> - Inner - F-1,2,3	48-56	16.00 ea.
8A-1216	(D)	- Outer - F-1,2,3	48-56	15.00 ea.
01Y-1202	(E)	<u>Front Wheel Bearing Race</u> - Inner - F-1,2,3	48-56	8.00 ea.
8A-1217	(F)	- Outer - F-1,2,3	48-56	8.00 ea.
B-1202		- Outer - F-4,5,6	48-62	8.00 ea.
72054-S	(G)	<u>Cotter Pin</u> - for Front Wheel	32-66	.25 ea.



BRAKE SHOE & LINING SETS

PART #	PIC	DESCRIPTION	YEAR	PRICE
NOTE: Trade in OLD brake shoes - allow \$1.00 per shoe				
All sets are (4) pieces and does (1) axle.				
10-2001		Front - F100	48-67	50.00 set
51A-2001		Front -F200-300	48-52	100.00 set
55-2201	(L)	Rear - F100	48-67	55.00 set



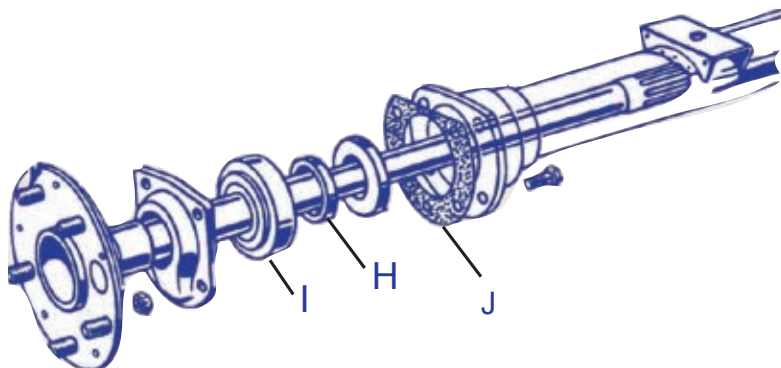
BRAKE DRUMS

PART #	PIC	DESCRIPTION	YEAR	PRICE
8C-1125	(K)	<u>Front Brake Drum</u> - F100 - Imported	48-52	100.00 ea.
TAAA-1125-A		- F100	53-63	105.00 ea.
C4TZ-1126		<u>Rear Brake Drum</u> - F1 & F100	48-67	125.00 ea.



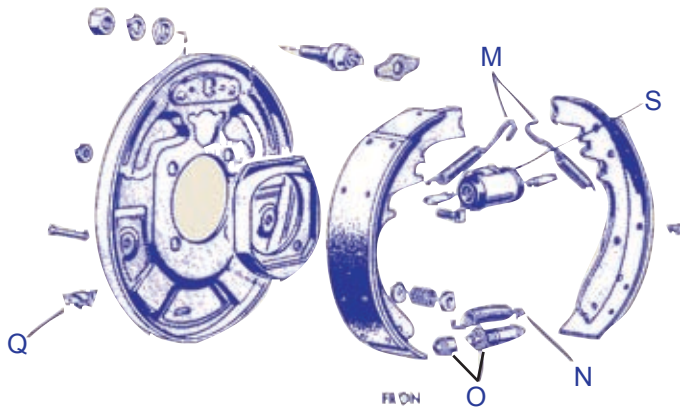
REAR AXLE

PART #	PIC	DESCRIPTION	YEAR	PRICE
0M-1177-A		<u>Inner Drum Seal</u> - Rear - F1 & F100	48-56	5.00 ea.
8M-1180	(H)	<u>Retainer to Hold Rear Wheel Bearing on Axle</u>	48-70	12.00 ea.
8M-1225-B	(I)	<u>Rear Axle Bearing</u> - F-1 & F100	48-70	40.00 ea.
8M-2245	(J)	<u>Bearing Retainer to Backing Plate Gasket</u>	48-66	2.00 ea.
8M-2245-A		<u>Rear Axle Housing to Backing Plate Gasket</u>	48-66	2.00 ea.

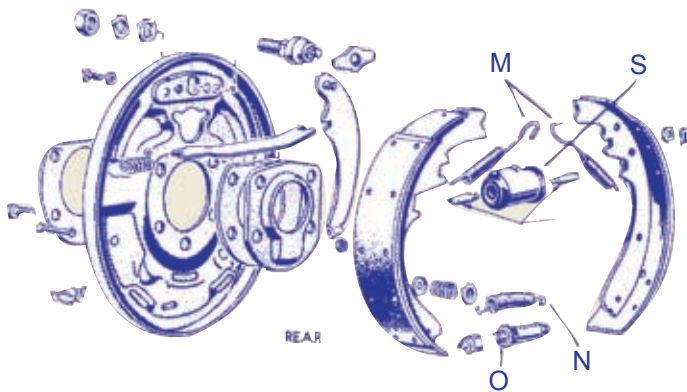


MISCELLANEOUS BRAKE PARTS

PART #	PIC	DESCRIPTION	YEAR	PRICE
B5A-2035-A	(M)	Brake Retracting Spring - (2) per wheel	48-63	3.00 ea.
B5A-2049	(N)	Brake Adjusting Screw Spring - F-1 & F100 - (1) per wheel	48-60	8.00 ea.
B5A-2041-S	(O)	Star Wheel Adjusting Screw Assy. - F-1 & F100	48-60	14.00 ea.
7C-2065-S	(P)	Brake Shoe Hold Down Kit - F-1 & F100 - Does (2) wheels	48-60	10.00 kit
H-2092	(Q)	Brake Adjusting Hole Cover - Steel	48-63	3.00 ea.
91A-2106	(R)	Emergency Brake Arm Clip - (2) per truck	48-72	.75 ea.



FRONT BRAKE ASSEMBLY



REAR BRAKE ASSEMBLY



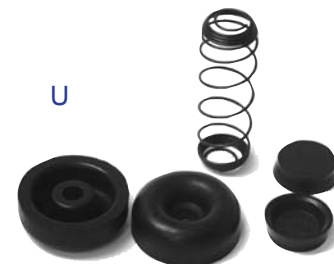
WHEEL CYLINDER ASSEMBLIES

PART #	PIC	DESCRIPTION	YEAR	PRICE
8C-2061		- Right Front - F-1, F-100	48-60	42.50 ea.
8C-2062		- Left Front - F-1, F-100	48-60	42.50 ea.
8M-2261	(S)	- Right Rear - F-1, F-100	48-54	36.50 ea.
8M-2262	(S)	- Left Rear - F-1, F-100	48-54	36.50 ea.
21A-2061		- Right Side - F2,F3	48-52	65.00 ea.
21A-2062		- Left Side - F2,F3	48-52	65.00 ea.
8A-2261	(T)	- Right Rear - F-1, F-100	55-72	36.00 ea.
8A-2262	(T)	- Left Rear - F-1, F-100	55-72	36.00 ea.
TCAA-2261-A		- Right Rear - 1/4" Dia. - F350	53-66	30.00 ea.
TCAA-2262-A		- Left Rear - 1 1/4" Dia. - F350	53-66	30.00 ea.



WHEEL CYLINDER REPAIR KITS

PART #	PIC	DESCRIPTION	YEAR	PRICE
KIT DOES ONE WHEEL				
A8C-2128		- Rear - F-1 & F100 - 1"	48-54	9.00 kit
8A-2128	(U)	- Rear - F100 - 7/8" Bore	55-72	10.00 kit
A8C-2221		- Front - F-1, F-100 - 1 1/16"	48-67	10.00 kit



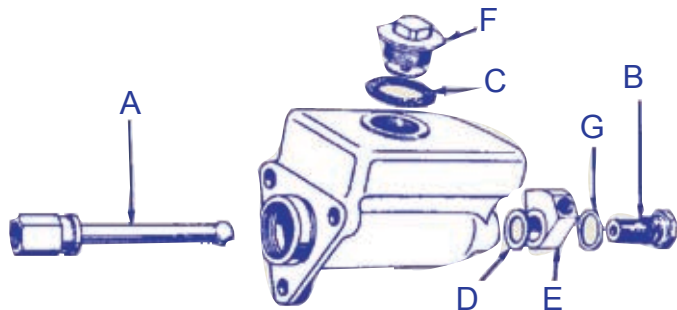
BRAKE HOSES

PART #	PIC	DESCRIPTION	YEAR	PRICE
8A-2078	(V)	- Rear - F-1 & F100	48-60	30.00 ea.
8M-2079		- Front - F-1	48-52	32.00 ea.
TAAA-2078-A		- Front	53-56	21.50 ea.



MASTER CYLINDER ASSEMBLIES & PARTS

PART #	PIC	DESCRIPTION	YEAR	PRICE
91A-2140 B3C-2140-A		<u>Master Cylinder Assembly</u> - F-1 - 1" piston - F100	39-52 53-56	115.00 ea. 100.00 ea.
91A-2143	(A)	<u>Master Cylinder Push Rod</u>	48-56	15.00 ea.
91A-2077	(B)	<u>Master Cylinder Inlet & Outer Bolt</u>	48-56	5.00 ea.
91A-2167	(C)	<u>Master Cylinder Filler Cover Gasket</u>	48-52	.50 ea.
8M-2167		<u>Master Cylinder Cap Gasket</u> -F100 - 800	53-62	2.00 ea.
91A-2152 91A-2151	(D) (G)	<u>Copper "O" Ring Washer</u> - Front of Outlet Block - Rear of Outlet Block	48-56 48-56	1.00 ea. 1.00 ea.
8C-2076	(E)	<u>Master Cylinder Outlet Block</u>	48-56	10.00 ea.
1A-2162-A	(F)	<u>Master Cylinder Cap</u> - Metal - F100 - 250	53-60	35.00 ea.
01A-13480		<u>Brake Light Switch</u> on Master Cylinder	48-56	5.00 ea.



MASTER CYLINDER REPAIR KIT

PART #	PIC	DESCRIPTION	YEAR	PRICE
91A-2004		<u>Master Cylinder Repair Kit</u> - F-1 & F100	39-56	16.00 ea.



MASTER CYLINDER COVER PLATE

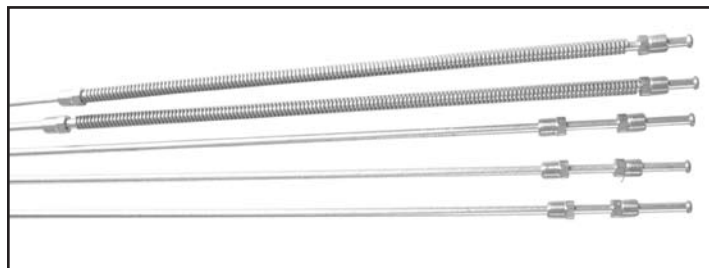
PART #	PIC	DESCRIPTION	YEAR	PRICE
91A-7011136	(H)	<u>Master Cylinder Cover Plate</u>	48-52	5.00 ea.
BAAA-8111136	(I)	<u>Master Cylinder Cover Plate</u>	53-56	15.00 ea.

For hole in floor board where you put fluid into master cylinder



STEEL BRAKE LINE KITS - NOT PRE BENT

PART #	PIC	DESCRIPTION	YEAR	PRICE
<i>All Brake Lines include Fittings (must be formed)</i>				
7C-2269-K		<u>Steel Brake Line Kit - F-1</u> Includes: (1)- Master Cylinder to Rear Brake Hose - 74" (1) - Left Front - 43 1/2" (1) - Right Front - 69 1/2" (1) - Left Rear - 21 1/4" (1) - Right Rear - 40 5/8"	48-52	47.50 ea.
BAAA-2269-K		<u>Steel Brake Line Kit - F100</u> Includes: (1) - Master Cylinder to Rear Brake Hose - 73 3/16" (1) - Left Front - 39 1/8" (1) - Right Front - 72 1/2" (1) - Left Rear - 21 1/4" (1) - Right Rear - 40 5/8"	53-55	47.50 ea.



PARK BRAKE CABLES

PART #	PIC	DESCRIPTION	YEAR	PRICE
8M-2814	(J)	<u>Park Brake Cable Clip</u> - Need (4) per truck - Original Tooling	53-56	2.00 ea.
2C-2853-A		<u>Front Park Brake Cable & Housing Assembly</u> - From dash to underneath truck - F-1, F100 w/ a 110" wheel base	48-52	50.00 ea.
TAAA-2853-A		<u>Front Park Brake Cable and Housing Assembly Handle to underneath pickup</u> - F100	53-56	50.00 ea.
1C-2275-A		<u>Rear Park Brake Cable & Housing Assembly</u> - Same as emerg. brake cable - F-1 - Need one cable per wheel	48-52	45.00 ea.
TAAA-2275-A	(K)	<u>Rear Park Brake Cable & Housing Assembly</u> - Same as emerg. brake cable - F100 -(1) cable does (2) wheels	53-60	60.00 ea.



CLUTCH / BRAKE PEDAL PADS

PART #	PIC	DESCRIPTION	YEAR	PRICE
11A-2454-A	(L)	3 1/8" dia. - F-1-F-3, F100-F350 - Sold as Pair (2)	41-56	15.00 pr.
11A-2454		- Individual Pad (1)	41-56	8.00 ea.
7RT-2454-PR	(M)	- 3 1/2" Dia. - F500 - 900 - F350	48-56 53-56	20.00 pr.



BRAKE PEDAL RETURN SPRING

PART #	PIC	DESCRIPTION	YEAR	PRICE
01T-2472	(N)		48-52	4.00 ea.
TAAA-2472-A	(O)		53-56	3.00 ea.



AXLE BUMPERS

PART #	PIC	DESCRIPTION	YEAR	PRICE
11A-3020-A	(R)	- Rear	48-54	6.00 ea.
7RC-3020	(S)	- Front	48-56	7.00 ea.



CLUTCH / BRAKE ARM BUMPERS

PART #	PIC	DESCRIPTION	YEAR	PRICE
7C-2473	(P)	Clutch & Brake Pedal Arm Bumpers	48-56	3.00 pr.



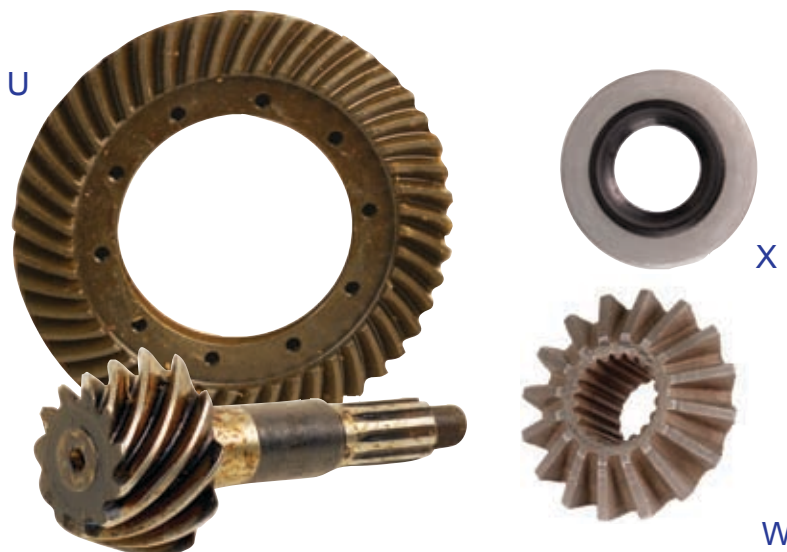
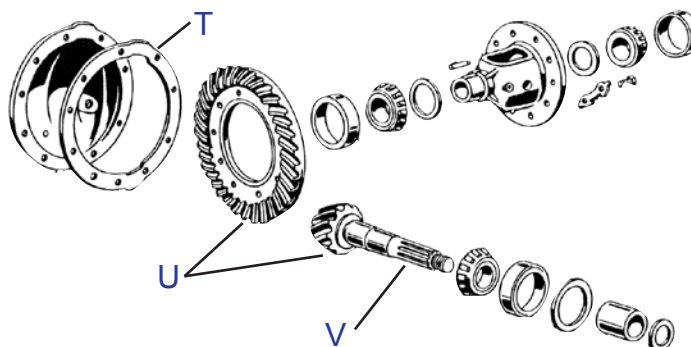
CLUTCH / BRAKE PEDAL PARTS

PART #	PIC	DESCRIPTION	YEAR	PRICE
B-7526-A	(Z)	Clutch & Brake Pedal Bushing - F-1 - F-6	48-52	5.00 ea.
7EQ-5344-A	(Q)	Clutch & Brake Pedal Bracket to Shaft Bushing - need (2)	53-56	3.00 ea.



DIFFERENTIAL PARTS

PART #	PIC	DESCRIPTION	YEAR	PRICE
8M-4035	(T)	Differential Housing Gasket - F-1	48-50	4.00 ea.
1M-4035		- F-1 & F100	51-56	6.00 ea.
8M-4209-B	(U)	Ring Gear & Pinion Set - 4.27 Ratio - New old Stock	48-50	350.00 set
8M-4215	(V)	Pinion Gear - F-1 & F100	48-56	40.00 ea.
8M-4236	(W)	Axle Side Gear - F-1 & F100	48-56	45.00 ea.
B6A-4676-A	(X)	Drive Pinion Seal - F100	48-56	8.00 ea.



KING PIN BOLT KIT

PART #	PIC	DESCRIPTION	YEAR	PRICE
Spindle Bolt & Bushing Kits (Kit is for both sides)				
21A-3111	(A)	King Pin Bolt Kit - F-1, F-2, F-3	42-52	45.00 kit
B3C-3111-A		King Pin Bolt Kit - F100 & F250	53-56	50.00 kit



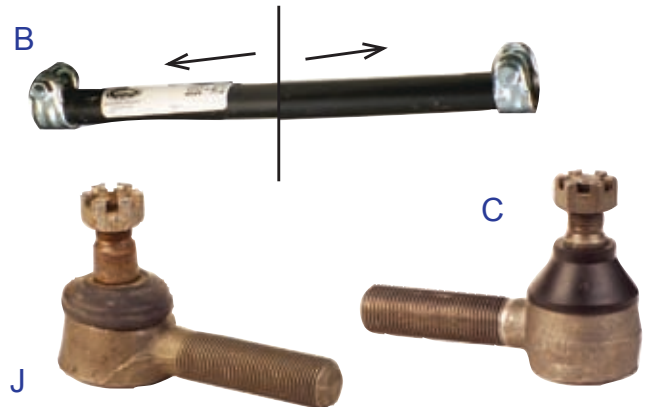
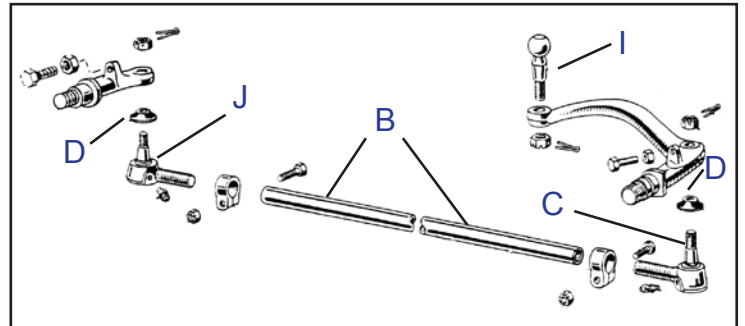
DRAG LINK

PART #	PIC	DESCRIPTION	YEAR	PRICE
TAAA-3304-S	(K)	Drag Link - Replacement - w/ Internal Parts - F-1, F-2, F-3, F100, & F250	48-56	75.00 ea.
7RC-3336		Rubber Cover for Drag Link - Need (2)	48-56	3.00 ea.
A8TZ-3A533-A	(G)	Drag Link End Repair Kit - (2) kits needed per drag link - Kit Includes: (1) 3336, (1) 3326, (1) 3327, (2) 3320, (1) 3328 F-1, F-2, F100, & F250	48-56	15.00 kit



TIE ROD PARTS

PART #	PIC	DESCRIPTION	YEAR	PRICE
21A-3282	(B)	Tie Rod Tube - F-1, F-2, F-3	48-52	50.00 ea.
TAAA-3281	(B)	Tie Rod Tube - F100 & F250	53-60	55.00 ea.
TAAA-3284	(I)	Stud & Ball for Left Spindle Replacement - F100-250	48-56	14.00 ea.
		Tie Rod End - w/ grease fitting & seal - Fits all 1/2 ton & 3/4 ton		
11A-3289	(C)	- RH Threads	35-64	15.00 ea.
11A-3290	(J)	- LH Threads	35-64	15.00 ea.
8M-3332	(D)	Tie Rod End Seal	48-56	2.00 ea.



Restoration Parts for Your Ford Tractor



DENNIS CARPENTER

FORD TRACTOR RESTORATION PARTS

www.dennis-carpenter.com



Made Exactly like the **Original**

NOT A GENERIC REPLACEMENT

8N-13404 6 volt Duolamp taillight assy.
Powder coated 8N gray finish.
Fits 1939-52 9N, 2N, 8N



8N-8210 Ford Farming grille screen with
4 mounting clips. 8N 1948-52



8N-401-R Red Ford seat cover
8N-401-B Blue Ford seat cover



Made Exactly like the **Original**

NOT A GENERIC REPLACEMENT

2N-13005-6V Tract-O-Lite headlights. 6 Volt
LH & RH. Powder coated 8N gray. Mounting
brackets sold separately.

2N-13005-12V Tract-O-Lite headlights. 12 Volt
LH & RH. Powder coated 8N gray. Mounting
brackets sold separately.



9N-598-B Lift arm stay chain kit.
Fits 9N, 2N, 8N 1939-52.
NAA, 600-900 1953-57.



9N-2019 Brake shoe set for 9N & 2N
1939-47

Coming this Fall



O.E.M. quality body panels for Jubilee,
NAA / 600-900 / 601-901 / 2000-4000

*If you are interested in any of our new
hoods and want to stay informed on their
progress, contact us by email or by letter
and request to be placed on our tractor
hood advisory list. Please include your
name, address, phone and email.*



8N-16618 Hood side panel RH.
Fits 9N, 2N, 8N 1939-52

8N-16619 Hood side panel LH.
Fits 9N, 2N, 8N 1939-52



FAG-10505-A Voltage regulator 6 volt.
All tractors 1953-64



TC-1 Ford tractor clock



Dennis Carpenter Tractor
T shirts are light gray with
this logo screen printed on
the front and the 881 & 8N
tractors on the back.



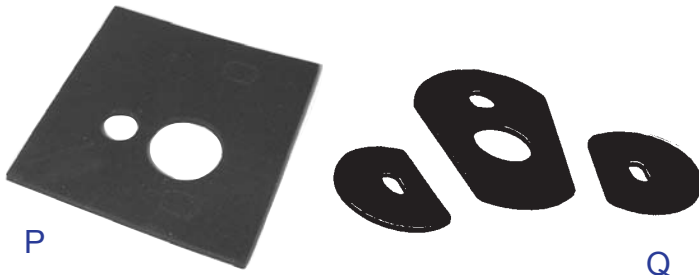
TRACT-M	\$10.00
TRACT-XL	\$10.00
TRACT-XXL	\$10.00
TRACT-XXXL	\$10.00

4140 Concord Parkway So., Concord, NC 28027 E mail: info@dennis-carpenter.com Help line: 704-786-8139 WWW.DENNIS-CARPENTER.COM

To order parts or a free parts catalog: 1-800-476-9653

STEERING COLUMN SEALS

PART #	PIC	DESCRIPTION	YEAR	PRICE
		<u>Clutch, Brake & Steering Column to Floor Seal</u> - for Column Shift		
7C-3513	(P)	- goes under metal plate at floor	48-52	3.00 ea.
7C-3515	(Q)	- goes on top of mat	48-52	6.50 ea.
BAAA-3513		- goes under metal plate	53-56	4.00 kit
7C-3513-A		<u>Clutch, Brake & Steering Column to Floor Seal</u> - for Floor Shift	48-52	3.00 ea.
7C-3515-A		<u>Steering Column to Floor Mat Seal</u> - for Floor Shift - has hold down clips	48-52	6.50 ea.
BAAA-3513-A		<u>Steering Column, Clutch & Brake Arms to Floor Seal</u> - for floor shift	53-56	4.00 kit



HORN BUTTON

PART #	PIC	DESCRIPTION	YEAR	PRICE
7HC-3627-C	(A)	<u>Horn Button</u> - Black Plastic	48-52	16.50 ea.
		<u>Horn Button</u>		
		Original Tooling		
BAAA-3627-SS	(F)	- Polished Stainless	53-60	40.00 ea.
BAAA-3627	(G)	- Painted White	53-60	40.00 ea.
B6C-3627-A	(H)	- Painted Red	56	40.00 ea.
		Original Tooling		
		<u>50th Anniversary Horn Button</u>		
BAAA-3627-A	(C)	- Complete Assembly	53	70.00 ea.
BAAA-3627-ANV		- Plastic Insert Only	53	45.00 ea.
		Original Tooling		
		<u>5-Star Cab Horn Button</u>		
B4C-3627-SS	(D)	- Polished Stainless	54-56	40.00 ea.
B4C-3627-A	(E)	- w/ Black Center	54-56	40.00 ea.
7RC-3631	(B)	<u>Horn Contact Button or Plate</u>	48-60	5.00 ea.
A7TZ-13A807-A		<u>Horn Button Spring</u> - F100/1100	48-60	5.00 ea.



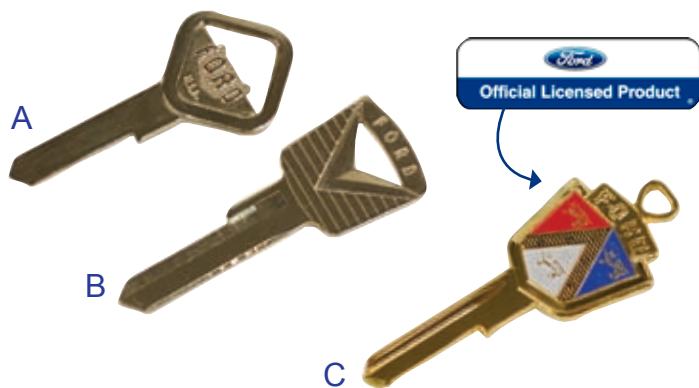
HORN RELAY

PART #	YEAR	PRICE
- 3 SCREW TERMINAL		
7RA-13853	48-55	13.00 ea.
B6A-13853	56	17.50 ea.



KEY BLANKS

PART #	PIC	DESCRIPTION	YEAR	PRICE
		<u>Key Blank</u> - Genuine Ford	48-52	4.00 ea.
1A-3685-A	(A)	- Ignition or Door	53-66	2.50 ea.
BA-3685-A	(B)	- Ignition or Door		
		Original Licensed Product		
		<u>Anniversary Ignition Key Blank</u>		
BA-3685-ANV	(C)	- with FORD Logo	53-66	7.50 ea.
APA-18316		- with FORD Logo	32-52	7.50 ea.



Ford Racing Technology's **FURIOUS FRI00s**

These two 1953 F100 pickups, built in 2003 by Ford Racing Technology, were Ford Motor Company's high performance tribute to 55 years of F-Series truck enthusiasm. Dennis Carpenter proudly participated in the campaign by supplying many restoration parts for the construction of these milestone super trucks.



Both trucks were powered by FRT's hot 5.0L Cammer Crate Engines each capable of delivering 425- 430 horsepower at 6700 rpm. Some unique qualities of the Cammers: forged pistons, 11.0:1 compression ratio, ported heads, higher-lift cams, high-flow fuel injectors, and a magnesium intake manifold.

Carpenter Parts *Some of the parts used during construction include: 1953-55 door seals and window anti-rattle kits, door glass lift channels, windshield and rear glass seals, inside door and window crank handles, outside mirrors, hood bumper kit, door striker plates. Other Carpenter parts used but modified included front /rear fenders, running boards, and tailgate assembly.*



EXHAUST

48-56 Ford Truck

Quality Ford Restoration Parts

MUFFLERS

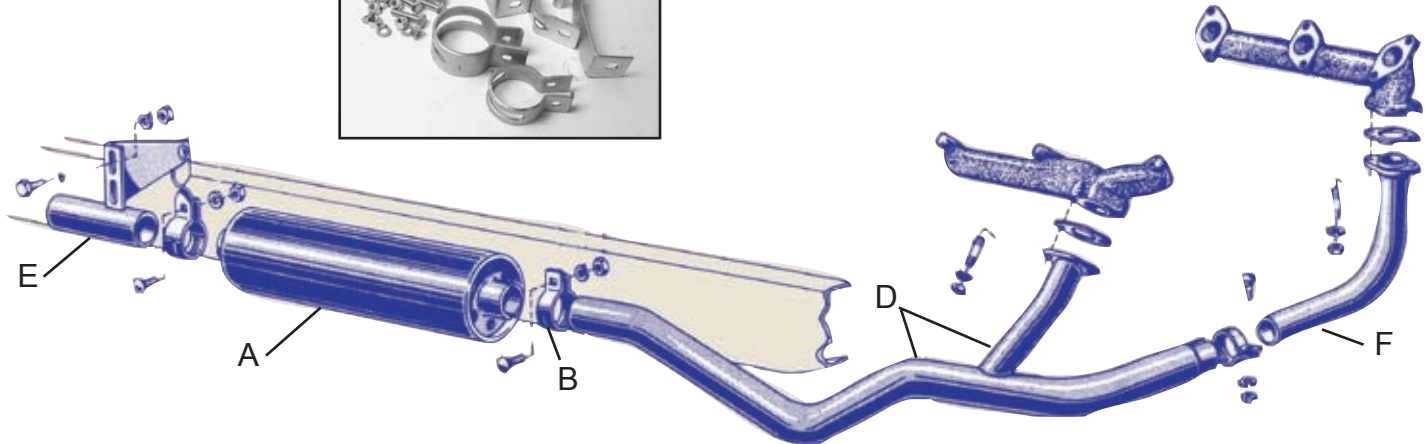
PART #	PIC	DESCRIPTION	YEAR	PRICE
7HC-5230	(A)	- F-1 - F-6	48-53	45.00 ea.
TAAD-5230-C		- F100	54-60	45.00 ea.

EXHAUST CLAMPS & HANGERS - UNIVERSAL

PART #	PIC	DESCRIPTION	YEAR	PRICE
21C-5270	(B)	<u>Header Pipe to Muffler</u> Clamp - All Models	42-56	2.00 ea.
21C-5260		<u>Tailpipe Hanger</u>	42-56	6.00 ea.

EXHAUST CLAMP KIT

PART #	PIC	DESCRIPTION	YEAR	PRICE
7C-5200-S	(C)	- 5 pieces	48-52	32.50 kit



FRONT EXHAUST PIPES

PART #	PIC	DESCRIPTION	YEAR	PRICE
7RC-5246	(D)	- V-8 - F-1	42-52	60.00 ea.

TAILPIPES

PART #	PIC	DESCRIPTION	YEAR	PRICE
8C-5255	(E)	- 6 cyl., 8 cyl. - 1/2 ton - long type	48-52	50.00 ea.
B5C-5255-A		- 6 cyl., 8 cyl. - 1/2 ton - short type	53-60	12.00 ea.

CROSSOVER PIPES

PART #	PIC	DESCRIPTION	YEAR	PRICE
59C-5267	(F)	- V-8	42-53	30.00 ea.
EBU-5267		- V-8	54	50.00 ea.
B5A-5267-A		- V-8 - F100	55-60	50.00 ea.

STAINLESS EXHAUST DEFLECTORS

PART #	PIC	DESCRIPTION	YEAR	PRICE
51A-18529-A	(G)	- Ford Script	ALL	16.00 ea.
51A-18529-B	(H)	- V-8	ALL	16.00 ea.
51A-18529-P		- Plain	ALL	15.00 ea.

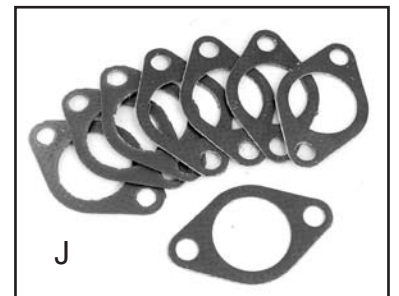
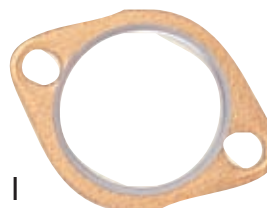


High Grade Polished Stainless Steel
QUALITY
 Will not rust, Lasts Forever



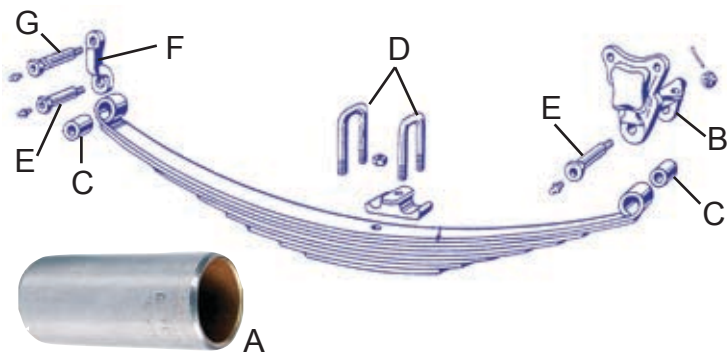
EXHAUST GASKETS

PART #	PIC	DESCRIPTION	YEAR	PRICE
1GA-9450	(I)	<u>Gasket for Exhaust Manifold to Inlet Pipe</u> - "Y" Block V-8 without heat riser - (2) required / with heat riser - (3) required	54-64	2.00 ea.
1GA-9450	(I)	<u>Gasket for Exhaust Manifold to Inlet Pipe</u> - 6 cyl. (1) required	48-64	2.00 ea.
18-9433-S	(J)	<u>Gasket Set</u> - (set of 8) - (6) required for exahust manifold to block - (2) required for manifold to inlet pipe & crossover pipe	48-53	7.50 set



FRONT SPRING SHACKLE PARTS

PART #	PIC	DESCRIPTION	YEAR	PRICE
7RC-5334		<u>Front Bracket Bushing</u> - Need (4)	48-52	5.00 ea.
21C-5344-A	(A)	- Need (4) F100 & F250	53-56	6.00 ea.
TAAA-5335	(B)	<u>Front Spring Hanger</u> - F100 & F250	53-56	25.00 ea.
21C-5348-A	(C)	<u>Spring Shackle Bushing</u> Need (4) - F-1, -3, F100 & F250	48-56	6.00 ea.
B3C-5455-A	(D)	<u>Front Spring U-Bolt</u> - F-1 & F100 comes with nuts	42-56	6.00 ea.
21C-5465	(E)	<u>Stud - Front Spring Shackle</u> Need (4) - F-1, F-2, F-3 Need (6) - F100 & F250	48-52 53-56	6.00 ea.
7RC-5465		<u>Front Spring Shackle Stud</u> - Need (2) - F-1, F-2, F-3	48-52	12.00 ea.
7RC-5468		<u>Front Spring Shackle Bar</u> - Inner	48-56	8.00 ea.
7RC-5469		- Outer F-1, F-2	48-52	5.00 ea.
B5C-5469	(F)	- Outer F100 & F250	53-56	5.00 ea.



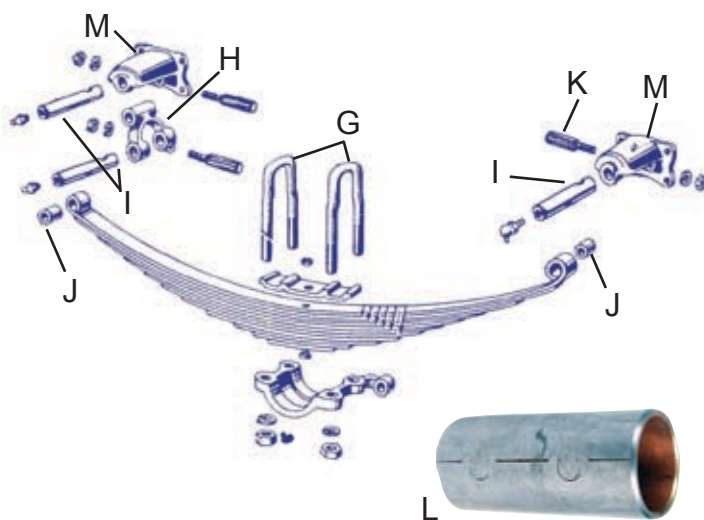
FRONT SPRING SHACKLE KITS

PART #	PIC	DESCRIPTION	YEAR	PRICE
7C-5300-S		<u>Front Spring Shackle Kit</u> - for both springs - F-1, F-2, F-3 Includes: (4) 21C-5465 pins; (2) 7RC-5465 pins; (4) 21C-5348 bushings; (4) 7RC-5334 bushings	48-52	50.00 kit
BAAA-5300-S	(N)	<u>Front Spring Shackle Kit</u> - for both springs - F100 & F250 Includes: (4) 21C-5348-A bushings; (2) 21C-5344-A bushings (6) 21C-5465 pins	53-56	50.00 kit



REAR SPRING SHACKLE PARTS

PART #	PIC	DESCRIPTION	YEAR	PRICE
21C-5701-C	(G)	<u>Rear Spring U-bolt</u> - 4 per vehicle	42-56	6.00 ea.
21C-5775	(M)	<u>Bracket Rear Spring Shackle</u> - F-1 - Mounts to Frame	42-52	40.00 ea.
21C-5776	(H)	<u>Swing Hanger</u> - F-1	42-52	35.00 ea.
TAAA-5776-A		- 1/2 ton - F100	53-56	35.00 ea.
TBAA-5776-A		- F250 & F350	53-56	35.00 ea.
21C-5780	(I)	<u>Pin</u> - requires (6) - F-1 & F100	42-56	6.00 ea.
59Y-5780		- F-2, F-3 & F350	42-56	10.00 ea.
21C-5781-A	(J)	<u>Spring Bushing</u> - Need (4) - F-1 & F100	42-56	7.00 ea.
59Y-5781-A	(J)	<u>Spring Bushing</u> - F-2, F-3, & F250 & 350	42-56	11.00 ea.
82Y-5782	(K)	<u>Hanger Lock Pin - F1/3 & F100</u>	42-56	2.00 ea.
21C-5791-A	(L)	<u>Spring Shackle Hanger Bushing</u> - 1/2 ton - need (2) - F-1 F100	42-56	6.00 ea.
61-5791-A		- 3/4 ton & 1 ton - need (4)	42-56	6.00 ea.



REAR SPRING SHACKLE KITS

PART #	PIC	DESCRIPTION	YEAR	PRICE
7C-5630	(O)	<u>Rear Spring Shackle Kit</u> - 1 Kit does (2) springs - fits 1/2 ton pickup Includes: (6) 21C-5780 pins (4) 21C-5781-A bushings (6) 82Y-5782 pins (2) 21C-5791-A bushings	48-56	60.00 kit

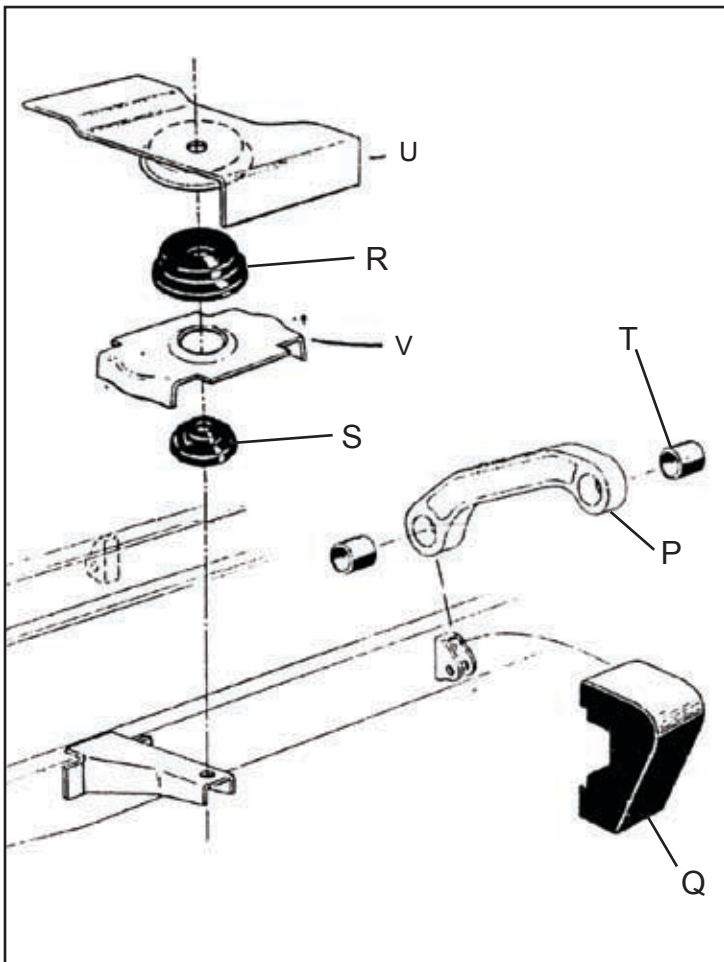


CAB TO FRAME MOUNTING PADS

PART #	PIC	DESCRIPTION	YEAR	PRICE
7C-5360 BAAA-5360	(Q)	<u>Pad at Rear of Cab to Frame Suspension Arm</u> - Rubber - Rubber	48-52 53-56	6.00 pr. 6.00 pr.
7C-5370-S BAAA-5370-S	(R)	<u>Front of Cab to Frame Pad</u> - Upper - Rubber - Upper - Rubber	48-52 53-56	5.00 pr. 5.00 pr.
BAAA-5371-S 7C-5371-S	(S)	<u>Front of Cab to Frame Pad</u> - Lower - Rubber - Lower - Rubber	53-56 48-52	5.00 pr. 5.00 pr.
7C-5387	(T)	<u>Bushing at Rear of Cab to Frame Suspension Arm</u> - set of 4 - Rubber	48-56	2.00 set

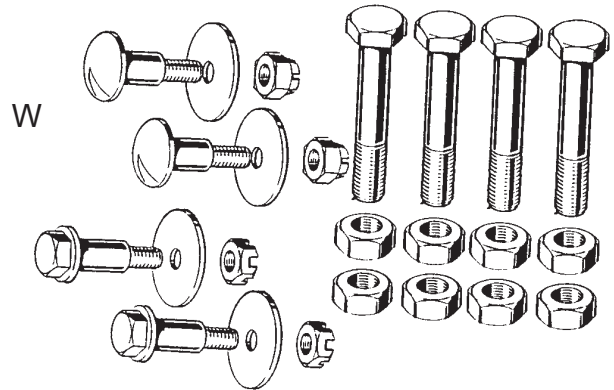
CAB TO FRAME MOUNTS

PART #	PIC	DESCRIPTION	YEAR	PRICE
BAAA-8102058-PR	(U)	<u>Upper Cab Mount Cups on Top of Large Rubber Mount</u>	53-56	24.00 pr.
BAAA-8102060-PR	(V)	<u>Metal Cup Under Large Cab Mount Rubber</u>	53-56	10.00 pr.
7C-5352	(P)	<u>Arm Assembly</u> - Cab to Frame w/ bushings - (forged type)	48-56	20.00 ea.



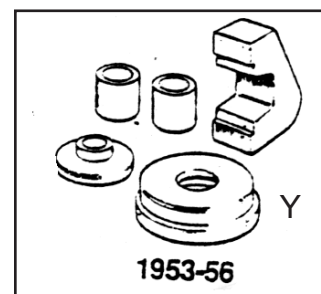
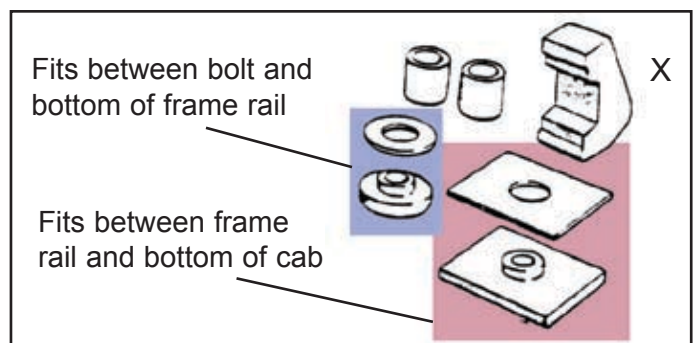
CAB TO FRAME MOUNTING BOLT KITS

PART #	PIC	DESCRIPTION	YEAR	PRICE
7C-5404-KIT	(W)	<u>Cab to Frame Mounting Bolt Kit</u>	48-52	20.00 kit
BAAA-5404-KIT		<u>Cab to Frame Mounting Bolt Kit</u>	53-56	24.00 kit



CAB TO FRAME MOUNTING KITS

PART #	PIC	DESCRIPTION	YEAR	PRICE
7C-5400-SS	(X)	<u>Cab to Frame Pad & Bushing Kit</u> - Includes: (2) 7C-5360; (4) 7C-5387; (4) 7C-5370-S; (4) 7C-5371-S	48-52	20.00 kit
BAAA-5400-S	(Y)	<u>Cab to Frame Pad & Bushing Kit - Includes:</u> (2) BAAA-5360; (2) BAAA-5370-S; (4) BAAA-5371-S; (4) 7C-5387	53-56	15.00 kit



Cab Replacement

The following is an excerpt from the 1948-52 Shop Manual, pages 317-318.

A. Cab Removal (Conventional)

Remove the steering wheel. Disconnect all wiring, lines and linkage that are secured to the cowl into the driver's compartment. Remove the steering column floor board bracket. Remove the steering column opening plate at the floor board. Remove the clutch and brake pedal pads. remove the floor mat. remove the transmission gear shift lever assembly. Disconnect the fuel line at the fuel tank. Remove the fender splash pans from under the fenders. Remove the cab hold-down bolts at each side of the frame.

B. Cab Installation (Conventional)

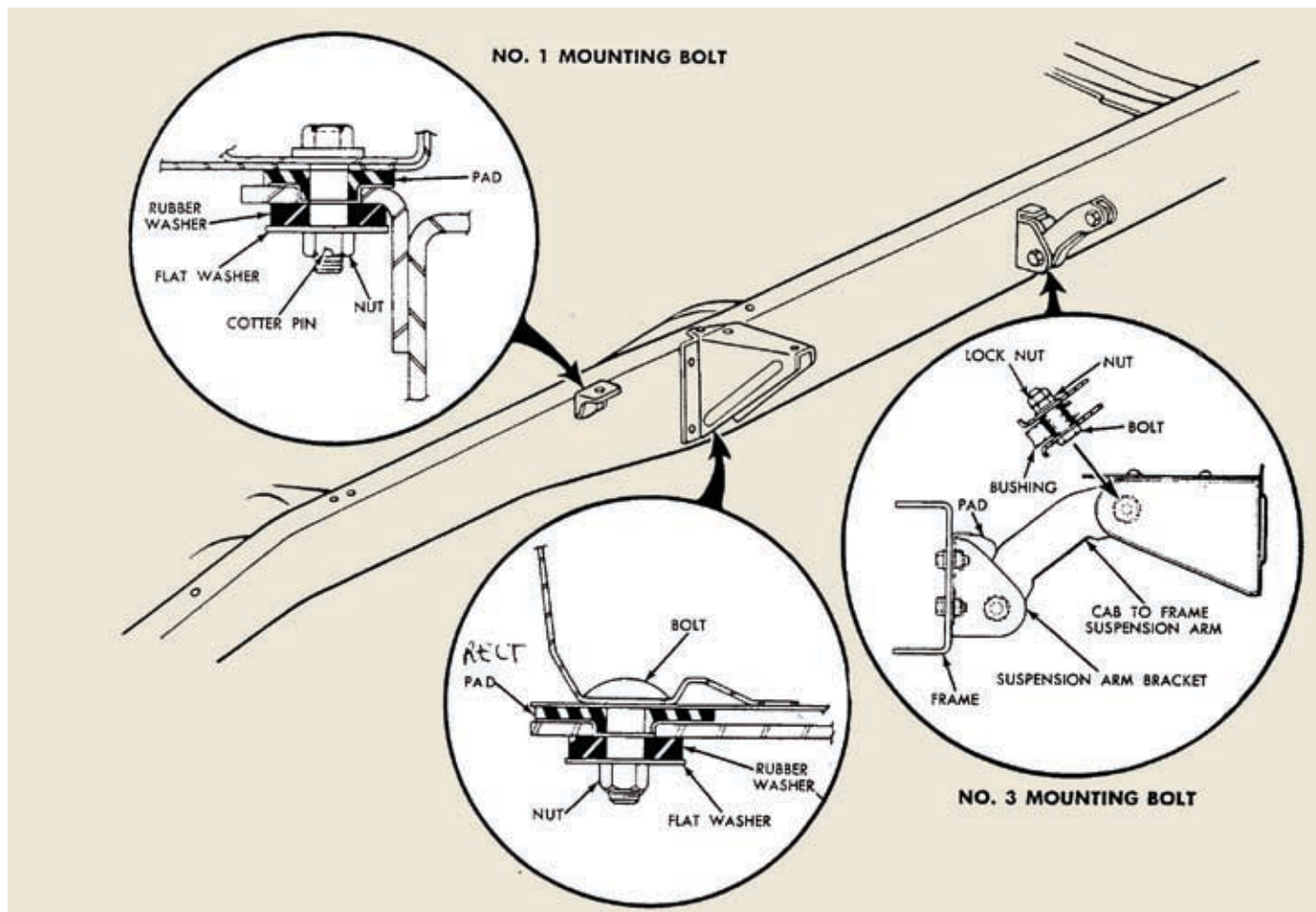
Before installing the cab assembly, check the condition of the suspension arm bushing at the suspension arm bracket. If the bushing has become soft or worn, it should be replaced.

Place the cab assembly in place on the frame. Shift the cab on the frame until the holes in the cab mounting brackets are aligned with the holes in the frame. Install the No.

3 mounting bolt bushings, bolts, square pads, rubber washers, flat washers, and nuts. Before tightening these nuts, make sure the mounting bolt nuts at the frame end of the suspension arms are tight. This should be done to prevent cocking the bushings.

Working under the cab, install the No. 2 cab to frame mounting bolts, square pads, rubber washers, flat washers, and nuts. Install the No. 1 cab to frame mounting bolt and lockwasher assemblies, square pads, rubber washers, flat washers, nuts, and cotter pin.

Install the fender splash pans. Connect the fuel line at the fuel tank. Install the transmission gear shift lever assembly. Install the steering gear column opening plates. Install the floor mat. Install the clutch and the brake pedal pads. Install the steering column bracket on the instrument panel. Install and connect all wiring, lines, and linkage that have been removed. Install the steering wheel.



2008 REGISTRATION FORM

Pat Ford's 30th Annual

F100
Super Nationals



CHILHOWEE PARK, KNOXVILLE, TENNESSEE

May 15-17, 2008



CRUISING VENDORS AWARDS SHOW-N-SHINE T SHIRTS
TECH SHOWS MODEL TRUCK & CAR EXHIBITS FOOD

Mail registration to:
PAT FORD PROMOTIONS
1920 Council Ave. Statesville, NC 28625
704-872-7327 e mail: f100supernationals@yahoo.com

Truck Registration \$25.00
After April 15, 2008 . . . \$30.00



F-100 Supernationals Registration

NAME _____
ADDRESS _____
CITY _____ STATE _____ ZIP _____
PHONE NO. _____ E-MAIL _____

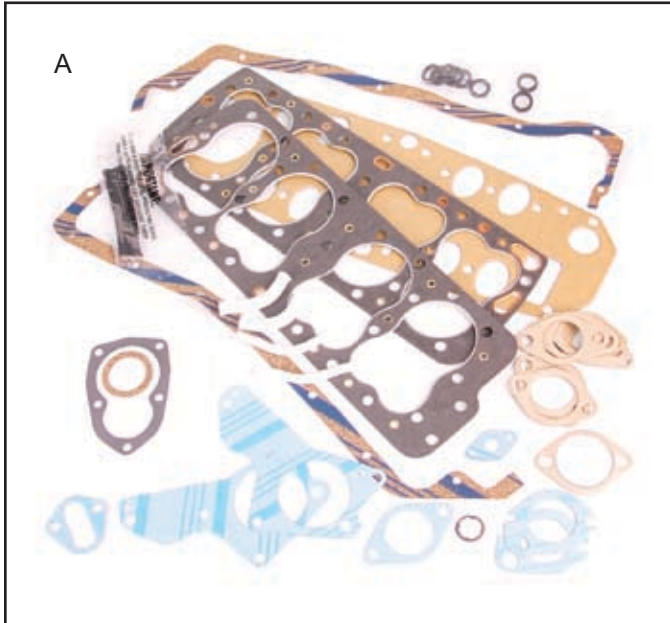
LIABILITY CLAUSE Entrants and participants by execution of this entry form, release and discharge the State of Tennessee, City of Knoxville, Knox County, Chilhowee Park, Pat Ford Promotions, their officers, directors, employees, agents, representatives, servants, and anyone else connected with the presentation of the F-100 Supernationals and Ford Family Reunion from any and all known or unknown damages, injuries, losses, judgements and/or claims from any cause whatsoever that may be suffered by any entrant or participant to person or property.

Amount Enclosed _____ Signature/Date _____

TRUCK INFORMATION	
YEAR	_____
MODEL	_____
TRUCK TO BE JUDGED?	Yes <input type="checkbox"/> No <input type="checkbox"/>
<small>(FOR SALE TRUCKS WILL NOT BE JUDGED)</small>	
FOR SALE	TRUCK CORRAL
	SAME COST AS TRUCK REGISTRATION
	SPECIAL AREA FOR FOR SALE TRUCKS IF YOU WISH

ENGINE OVERHAUL GASKETS

PART #	PIC	DESCRIPTION	YEAR	PRICE
8BA-6008	(A)	<u>Overhaul Gasket Set</u> - V-8 239	48-53	75.00 ea.
B2A-6008-A		<u>Overhaul Gasket Set</u> - 6 cyl. 215 - 6 cyl. 223	52-53 54-64	115.00 ea.
B6A-6008		<u>Overhaul Gasket Set</u> - V-8 256, 272 - V-8 292	54-64 57-64	80.00 ea.



ENGINE INTAKE MANIFOLD GASKETS

PART #	PIC	DESCRIPTION	YEAR	PRICE
8BA-6521		<u>Intake Manifold to Block Gasket</u> - V-8	48-53	12.00 ea.
B7AZ-9433-A		<u>Intake Manifold Gasket Set</u> - 8 cyl. 272-292	55-64	7.50 set

ENGINE VALVE GASKETS

PART #	PIC	DESCRIPTION	YEAR	PRICE
		<u>Valve Grind Gasket Set</u>		
B7AZ-6079-D		- 8 cyl. 272-292	56-64	30.00 set
B2AZ-6A506-A		- 6 cylinder 215, 223	52-59	12.00 set
B4AZ-6A506-A		<u>Valve Arm Cover Gasket Set</u> - 8 cylinder - 1 set does 2 valve covers	54-59	10.00 set
7HA-6521		<u>Valve Cover Gasket Set</u> - 254 6 cyl.	48-53	6.00 ea.

ENGINE OIL PAN GASKETS

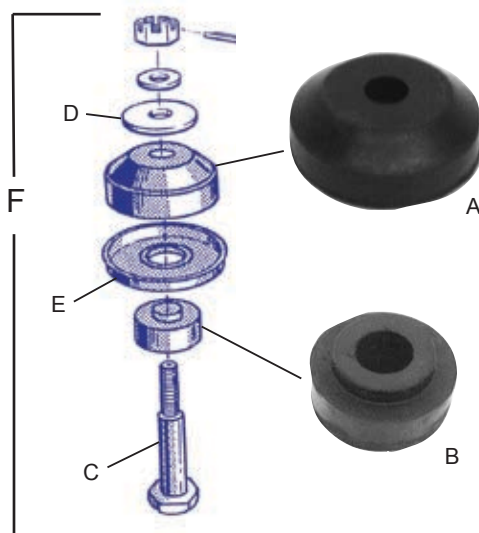
PART #	PIC	DESCRIPTION	YEAR	PRICE
		<u>Oil Pan Gasket Set</u>		
8BA-6710-B		- V-8 - (Cork)	48-53	15.00 ea.
C0AZ-6710-B		- V-8 OHV 272 - (Cork)	55-56	20.00 ea.
C0AE-6710-A		<u>Oil Pan Gasket Set</u> - 6 cylinder - OHV 215 - 6 cylinder - OHV 223	52-53 54-56	16.00 ea.
7HA-6710		<u>Oil Pan Gasket Set</u> - 6 cylinder - "H" series (Cork) - 6 cylinder - 226 - 6 cylinder - 254	47 48-51 50-53	15.00 ea.

ENGINE HEAD GASKETS

PART #	PIC	DESCRIPTION	YEAR	PRICE
		<u>Head Gasket</u>		
8BA-6051		- RH - V-8	48-53	20.00 ea.
8BA-6083		- LH - V-8	48-53	20.00 ea.
B6A-6051-B		<u>Cylinder Head Gaskets</u> - Steel - 8 cyl. 272, 292	56-64	10.00 pr.
C3TZ-6051-G		<u>Cylinder Head Gasket</u> - asbestos & steel - 8 cyl. 272, 292	56-64	10.00 ea.

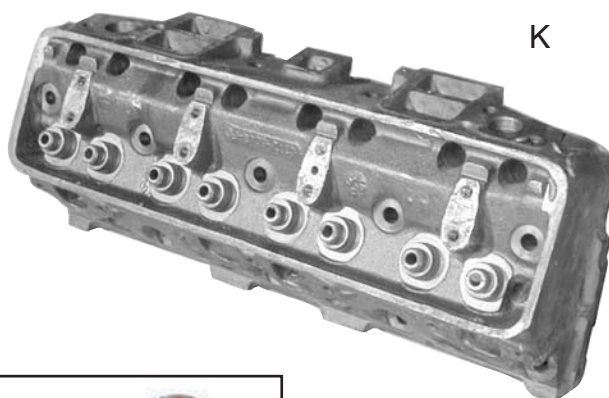
FRONT MOTOR MOUNTS

PART #	PIC	DESCRIPTION	YEAR	PRICE
B-6038-C	(A)	<u>Upper Motor Mount</u> - 6 & 8 cyl. - need (2) F-1,F-2,F-3	48-51	5.00 ea.
8L-6038-B		- 6 & 8 cyl. - need (2)	52	10.00 ea.
B5S-6038-A		- 6 cyl. 254 - need (2)	53	20.00ea.
		- 6 & 8 cyl. - F100 - need (1)	53-56	
B-6039-A	(B)	<u>Lower Motor Mount</u> - 6 & 8 cyl. - F100 - need (2)	48-51	4.00 ea.
8L-6039-B		- 6 & 8 cyl. - need (2)	52	6.00 ea.
TAAA-6039-A		- 6 & 8 cyl. - F100 - need (1)	53-56	4.00 ea.
B-6047	(C)	<u>Front Motor Mount Bolt</u> - F-1; F-2 need (2)	32-51	4.00 ea.
78-6029-A	(D)	<u>Metal Washer</u> for Upper motor mount on top - 6 & 8 cylinder	48-51	1.00 ea.
78-6048-A	(E)	<u>Special Washer</u> that the front upper motor mount sets in between mount and frame - need (2) - F-1, F-2, F-3	48-51	2.00 ea.
78-6038-K	(F)	<u>Motor Mount Kit</u> for one motor mount - 6 & 8 cylinder Includes: (1) of each 78-6029-A, B-6038-C, 78-6048-A, B-6039-A, & B-6047	48-51	15.00 kit



CYLINDER HEADS - NOS

PART #	PIC	DESCRIPTION	YEAR	PRICE
C20Z-6A008-A	(I)	<u>Cylinder Head to Cylinder Block Dowels</u> - set of (4) - 8 cylinder 239, 256, 272, 292	54-64	5.00 set
8RT-6049		<u>Cylinder Head</u> - RH - V-8-NOS	48-53	35.00 ea.
C3TZ-6049-G	(K)	<u>Cylinder Head - Replacement</u> - NOS - Genuine Ford - 8 cylinder 272, 292 Must use C0ME-6507-N Intake Valves with this head	56-64	100.00 ea.



CYLINDER BLOCK SLEEVE

PART #	PIC	DESCRIPTION	YEAR	PRICE
59A-6055		<u>Cylinder Block Sleeve</u> - 3.373 OD x 3.156 ID x 6 1/2" long - for 3 3/16" bore - rough finish - used w/ cylinder blocks w/o milled depression between valve port and cylinder	48-53	15.00 ea.

CYLINDER HEAD BOLT

PART #	PIC	DESCRIPTION	YEAR	PRICE
8BA-6065	(L)	<u>Cylinder Head Bolt</u> - 20 per Engine 1.94" long - V-8	48-53	2.00 ea.
8BA-6066	(M)	<u>Cylinder Head Bolt</u> - 28 per Engine 2.62" long - V-8	48-53	2.00 ea.
8BA-6065-KIT		Head Bolt Kit - V8	48-53	90.00 kit



REAR MOTOR MOUNTS

PART #	PIC	DESCRIPTION	YEAR	PRICE
21A-6068	(G)	<u>Rear Motor Mount</u> 6 & 8 cylinder - F-1 - need (1)	42-52	25.00 ea.
TAAA-6068-A		<u>Rear Motor Mount</u> - Upper - 6 & 8 cylinder - F100 - need (2)	53-56	15.00 ea.
C0TT-6061-B	(H)	<u>Rear Motor Mount</u> - Lower - 6 & 8 cylinder - F100 - need (2)	53-56	7.00 ea.



PISTONS

PART #	PIC	DESCRIPTION	YEAR	PRICE
V8 - 3 3/16 Bore - Sold in Sets of (8)				
8BA-6108-STD		- Standard Size 8 cyl. 239	48-53	200.00 set
8BA-6108-020		- .020 O/S 8 cyl. 239	48-53	300.00 set
8BA-6108-030		- .030 O/S 8 cyl. 239	48-53	300.00 set
8BA-6108-040		- .040 O/S 8 cyl. 239	48-53	300.00 set
8BA-6108-060		- .060 O/S 8 cyl. 239	48-53	300.00 set
B5A-6108-STD		- Standard 8 cyl. 292	54-64	100.00 set
B5A-6108-020		- .020 O/S 8 cyl. 292	54-64	100.00 set
B5A-6108-030		- .030 O/S 8 cyl. 292	54-64	100.00 set
B5A-6108-040		- .040 O/S 8 cyl. 292	54-64	100.00 set
B5A-6108-060		- .060 O/S 8 cyl. 292	54-64	100.00 set



PISTON RINGS

PART #	PIC	DESCRIPTION	YEAR	PRICE
V8 - Sold in Set ONLY				
B5AZ-6148-STD		- Standard 8 cyl. 292	54-64	40.00 set
B5AZ-6148-020		- .020 O/S 8 cyl. 292	54-64	40.00 set
B5AZ-6148-030		- .030 O/S 8 cyl. 292	54-64	40.00 set
B5AZ-6148-040		- .040 O/S 8 cyl. 292	54-64	40.00 set
B5AZ-6148-060		- .060 O/S 8 cyl. 292	54-64	40.00 set
8BA-6149-STD		- Standard 8 cyl. 239	48-53	85.00 set
8BA-6149-020		- .020 O/S 8 cyl. 239	48-53	85.00 set
8BA-6149-030		- .030 O/S 8 cyl. 239	48-53	85.00 set
8BA-6149-040		- .040 O/S 8 cyl. 239	48-53	85.00 set
8BA-6149-060		- .060 O/S 8 cyl. 239	48-53	85.00 set

CONNECTING ROD

PART #	PIC	DESCRIPTION	YEAR	PRICE
21A-6207-A	(B)	Connecting Rod Wrist Pin Bushing	48-52	2.50 ea.
EAA-6207-A		Connecting Rod Bushing		1.50 ea.
		- 6 cylinder 215, 223, 262	52-64	
		- 8 cylinder 239, 256, 272, 292	54-64	

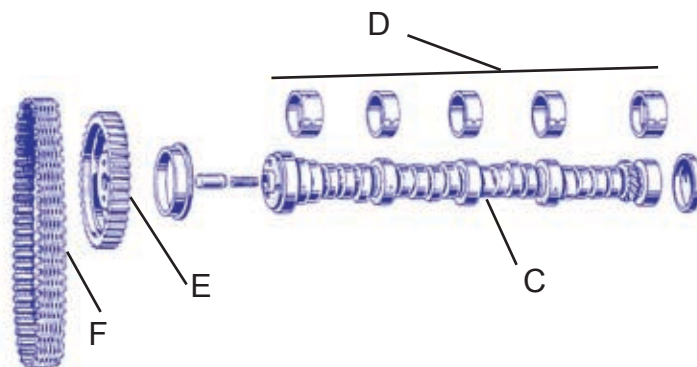


ROD BEARINGS

PART #	PIC	DESCRIPTION	YEAR	PRICE
V8 - Sold in Sets of (8) pair ONLY				
0BA-6211-STD	(A)	- Standard 8 cyl.	48-53	100.00 set
0BA-6211-010		- .010 O/S 8 cyl.	48-53	100.00 set
0BA-6211-020		- .020 O/S 8 cyl.	48-53	100.00 set
0BA-6211-030		- .030 O/S 8 cyl.	48-53	100.00 set
0BA-6211-040		- .040 O/S 8 cyl.	48-53	100.00 set
B5T-6211-STDB		- Standard - .06135-.06185 8 cyl. 239, 256, 272, 292	54-64	40.00 set
B5T-6211-010		- .010 U/S 8 cyl. 239, 256, 272, 292	54-64	40.00 set
B5T-6211-020		- .020 U/S 8 cyl. 239, 256, 272, 292	54-64	40.00 set
B5T-6211-030		- .030 U/S 8 cyl. 239, 256, 272, 292	54-64	40.00 set
B4AE-6211-040		- .040 U/S 8 cyl. 239, 256, 272, 292	54-64	40.00 set

CAMSHAFT RELATED PARTS

PART #	PIC	DESCRIPTION	YEAR	PRICE
<u>Camshaft NOS</u>				
EAB-6252		- V8 - for High Power	49-53	150.00 ea.
7RT-6252		- V8 - for Low Power	48-53	150.00 ea.
B8A-6250-C	(C)	<u>Camshaft Assembly</u> - 8 cyl. 239, 256, 272, 292	54-64	70.00 ea.
<u>Camshaft Bearing Set</u>				
01A-6260-S	(D)	- Standard - 8 cyl. 239	48-53	40.00 set
C3TZ-6A251-A		- Standard - 8 cyl. 239, 256, 272, 292	54-64	25.00 set
<u>Camshaft Timing Gear</u>				
8BA-6256-A	(E)	- Aluminum - 8 cyl. 239	48-53	55.00 ea.
EAA-6256		- 6 cyl. 215, 223	52-64	20.00 ea.
EAA-6256		- 8 cyl. 239, 256, 272, 292	54-64	20.00 ea.
EAA-6268	(F)	<u>Timing Chain</u> - 6 cyl. 215, 223 - 8 cyl. 239, 256, 272, 292	52-64 54-64	25.00 ea.
<u>Camshaft Thrust Plate</u>				
EAA-6269-A		- 6 cyl. 215, 223 - 8 cyl. 239, 256, 272, 292	52-64 54-64	10.00 ea.

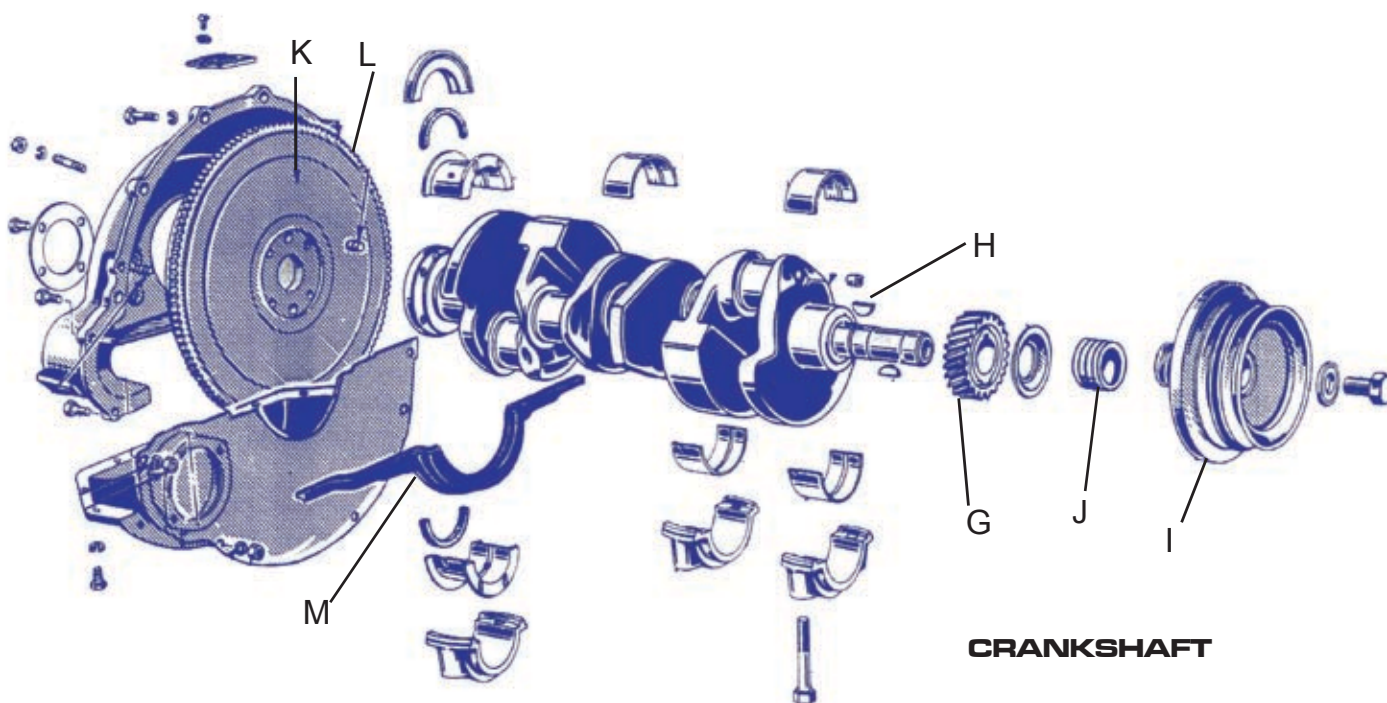


CRANKSHAFT RELATED PARTS

PART #	PIC	DESCRIPTION	YEAR	PRICE
8BA-6306	(G)	<u>Crankshaft Timing Gear</u> - V-8	48-53	30.00 ea.
B8A-6306-B		- 6 cyl. 215, 223	54-64	10.00 ea.
B8A-6306-B		- 8 cyl. 239, 272, 292, 312	54-64	10.00 ea.
357654-S	(H)	<u>Crankshaft Gear Woodruff Key</u> - V-8	48-53	2.00 ea.
74175-S		- 6 cyl. 215, 223	52-64	.75 ea.
74175-S		- 8 cyl. 239, 256, 272, 292	54-64	.75 ea.
8BA-6312-B		<u>Crankshaft Pulley</u> - V8 - 5/8" Belt	48-52	100.00 ea.
8BA-6312-C	(I)	- for Narrow Belts - V-8 NOS (NOS pulley has some rust)	53	75.00 ea.
8BA-6362	(J)	<u>Crankshaft Pulley Extension</u> - V8	48-53	5.00 ea.

FLYWHEEL RELATED PARTS

PART #	PIC	DESCRIPTION	YEAR	PRICE
8BA-6384		<u>Flywheel Ring Gear</u> - 112 teeth - V-8	48-53	30.00 ea.
EAA-6384-A		<u>Flywheel Ring Gear</u> - 146 teeth - 6 cyl. 215, 223, 262	52-64	20.00 ea.
EAA-6384-A	(L)	- 8 cyl. 239, 256, 272, 292	54-64	20.00 ea.
EAM-6384-A		<u>Flywheel Ring Gear</u> - 152 teeth - Fits: 8 cyl. 279, 317, 302, 332	52-57	30.00 ea.
8RT-6410-S		<u>Flywheel Housing Cover</u> - Metal V-8	48-52	12.50 ea.
8BA-6411	(M)	<u>Flywheel Housing Cover Seal</u> - Rubber - V-8	53	12.50 ea.
C2AZ-6436-A		<u>Starter to Flywheel Housing</u> <u>Rubber Seal</u> - 8 cyl. 239, 256, 272, 292	54-64	10.00 ea.



CRANKSHAFT

MAIN BEARINGS - 1948-53

PART #	PIC	DESCRIPTION	YEAR	PRICE
V8 - Sold in Sets Only				
1BA-6330-STD		- Standard	48-53	90.00 set
1BA-6330-010		- .010	48-53	90.00 set
1BA-6330-020		- .020	48-53	90.00 set
1BA-6330-030		- .030	48-53	90.00 set

MAIN BEARINGS - 1954-64

PART #	PIC	DESCRIPTION	YEAR	PRICE
V8 - Sold in Sets Only				
EBV-6330-STDD		- Standard - .0957 - 8 cyl. 239, 256, 272, 292	54-64	75.00 set
EBV-6330-010		- Standard - .010 U/S - 8 cyl. 239, 256, 272, 292	54-64	75.00 set
EBV-6330-020		- Standard - .020 U/S - 8 cyl. 239, 256, 272, 292	54-64	75.00 set
EBV-6330-030		- Standard - .030 U/S - 8 cyl. 239, 256, 272, 292	54-64	75.00 set
B4AE-6330-040		- Standard - .040 U/S - 8 cyl. 239, 256, 272, 292	54-64	75.00 set

INTAKE VALVES

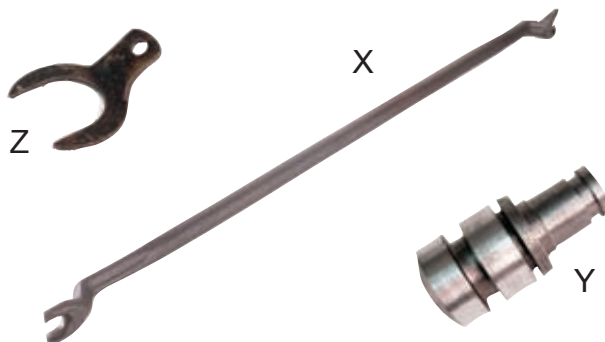
PART #	PIC	DESCRIPTION	YEAR	PRICE
COME-6507-N	(B)	<u>Intake Valve</u>		10.00 ea.
		- 6 cyl. 215	52-53	
		- 8cyl. 239	54-55	
		- 8 cyl. 292	60-64	
		- length 5.02"		
		- Head dia. 1.65"		
		- stem size STD		
		- stem dia. .3420"		
COME-6507-S	(B)	<u>Intake Valve</u>		12.00 ea.
		6 cyl. 215	52-53	
		8 cyl. 239	54-55	
		8 cyl. 292	60-64	
		- length 5.02"		
		- Head dia. 1.65"		
		- stem size .003"		
		- stem dia. .3450"		

EXHAUST VALVES

PART #	PIC	DESCRIPTION	YEAR	PRICE
8BA-6505		<u>Exhaust & Intake Valve</u>		8.00 ea.
		- V-8 - for solid type guide	48-53	
1BA-6506		- V-8 - for solid type guide	51-53	8.00 ea.
C3AZ-6505-A	(A)	<u>Exhaust Valve</u>		10.00 ea.
		- 6 cyl. 215,223	52-64	
		- 8 cyl. 239,272,292	54-64	
		- length 5.02"		
		- Head dia. 1.52"		
		- stem size std		
		- stem dia. .3402"		
C3AZ-6505-C	(A)	<u>Exhaust Valve</u>		10.00 ea.
		- 6 cyl. 215,223	52-64	
		- 8 cyl. 239,272,292	54-64	
		- length 5.02"		
		- Head dia. 1.52"		
		- stem size .015		
		- stem dia. .3552"		
C3AZ-6505-D	(A)	<u>Exhaust Valve</u>		10.00 ea.
		6 cyl. 215, 223	52-64	
		8 cyl. 239, 272, 292	54-64	
		- length 5.02"		
		- Head dia. 1.52"		
		- stem size .030		
		- stem dia. .3702"		

VALVE GUIDE RELATED

PART #	PIC	DESCRIPTION	YEAR	PRICE
VG-6510	(X)	<u>Valve Guide Removal Tool Bar</u>	32-53	57.50 ea.
8BA-6510	(Y)	<u>Valve Guide</u>		5.00 ea.
		- V-8	48-53	
8BA-6510-S		- Set of 16 - V-8	48-53	75.00 set
40-6512	(Z)	<u>Valve Guide Keeper</u>		.50 ea.
		- V-8	48-53	
40-6512-S		- Set of 16 - V-8	48-53	7.00 set



INTAKE MANIFOLD

PART #	PIC	DESCRIPTION	YEAR	PRICE
8RT-6520-A		<u>Intake Manifold</u> - NOS	48-53	150.00 ea.
		- Aluminum - V-8		
		- Limited Supply		



VALVE TAPPET

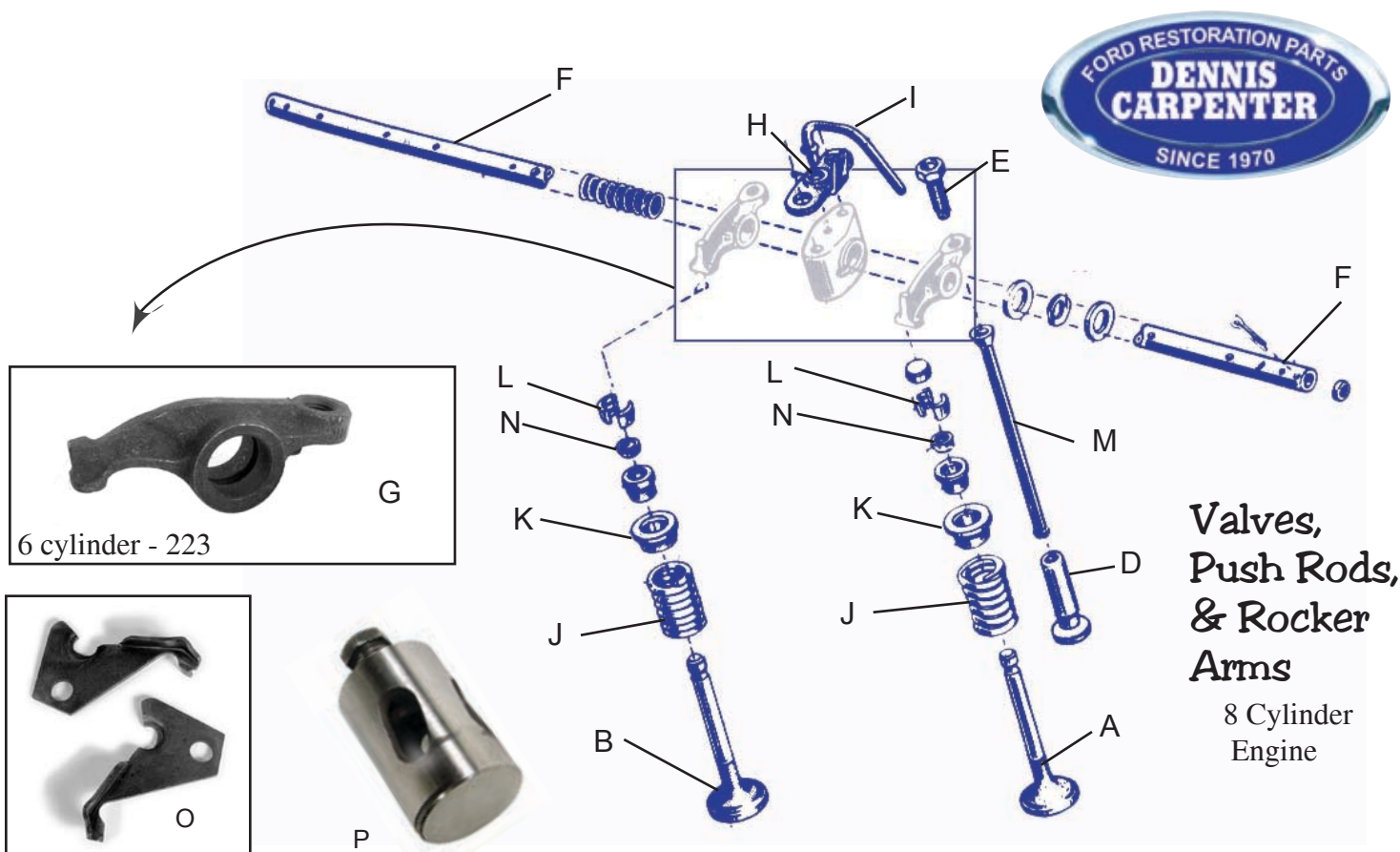
PART #	PIC	DESCRIPTION	YEAR	PRICE
		<u>Valve Tappet</u>		
8BA-6500		- V-8	48-53	5.00 ea.
B8C-6500-A	(D)	- 6 cyl. 215, 223, 262	52-64	7.50 ea.
B8C-6500-A	(D)	- 8 cyl. 239, 256, 272, 292	54-64	7.50 ea.
91A-6500-SET	(P)	<u>Adjustable Valve Tappet Set</u> - w/o wrench - set of 16	32-53	225.00 set
T-6500-PR	(O)	<u>Adjustable Valve Tappet</u> <u>Wrench</u> for 91A-6500 tappet		15.00 pr.

ROCKER ARM PARTS

PART #	PIC	DESCRIPTION	YEAR	PRICE
B6A-6549-C	(E)	<u>Rocker Arm Adjusting Screw</u> - 7/16" x 20 x 1.40" long - 6 cyl. 223 - 8 cyl. 272, 292	56-64	2.00 ea.
B4AZ-6563-A	(F)	<u>Valve Rocker Arm Shaft</u> - 8 cyl. 239, 256, 272-292	54-64	17.50 ea.
B6A-6564-G	(G)	<u>Rocker Arm</u> - 6 cyl.	52-59	5.00 ea.
EBU-6575-A	(H)	<u>Valve Rocker Arm Oil Outlet</u> <u>Tube Bracket</u> - 8 cyl. 239, 256, 272, 292	54-64	3.00 ea.
B5A-6588-A	(I)	<u>Valve Rocker Arm Shaft Oil</u> <u>Outlet Tube</u> - 8 cyl. 239, 256, 272, 292	54-64	7.50 ea.

VALVE RELATED PARTS

PART #	PIC	DESCRIPTION	YEAR	PRICE
		(J) <u>Valve Spring</u>		
78-6513		- V-8	48-50	3.00 ea.
1BA-6513		- V-8	51-53	3.00 ea.
B6A-6513		- 6 cylinder	52-64	.75 ea.
B6A-6513		- V-8 239, 256, 272, 292	54-59	.75 ea.
8BA-6514	(K)	<u>Valve Spring Retainer</u> - V-8	48-53	2.00 ea.
1BA-6514-PR		Valve Spring Retainer & Sleeve- use w/ 1BA-6513 - 1 pr. per spring - V8	49-53	5.00 pr.
7HA-6518	(L)	<u>Valve Keeper</u> - 6 cyl. 215, 223 - 8 cyl. 239,256,272,292 - 1 pair per valve	52-64 48-64	1.00 pr.
		(M) <u>Valve Push Rod</u>		
EAA-6565-C		- 6 cyl -(9 43/64" long)	52-64	4.00 ea.
COAE-6565-D		- 8 cyl. 272, 292 -(8.19" long)	56-64	4.00 ea.
8BA-6571		<u>Intake Valve Guide Seal</u> - V-8 - Set of (8)	48-53	3.00 set
		<u>Valve Guide</u> & <u>Valve Stem Seal</u>		
C1TE-6571-C		- 6 cyl. 215, 223	52-64	1.00 ea.
C1TE-6571-C	(N)	- 8 cyl. 239, 256, 272, 292	54-64	1.00 ea.
C1TE-6571-SET		- 8 cyl. 239,256,272,292 - Set of (16)	54-64	15.00 set

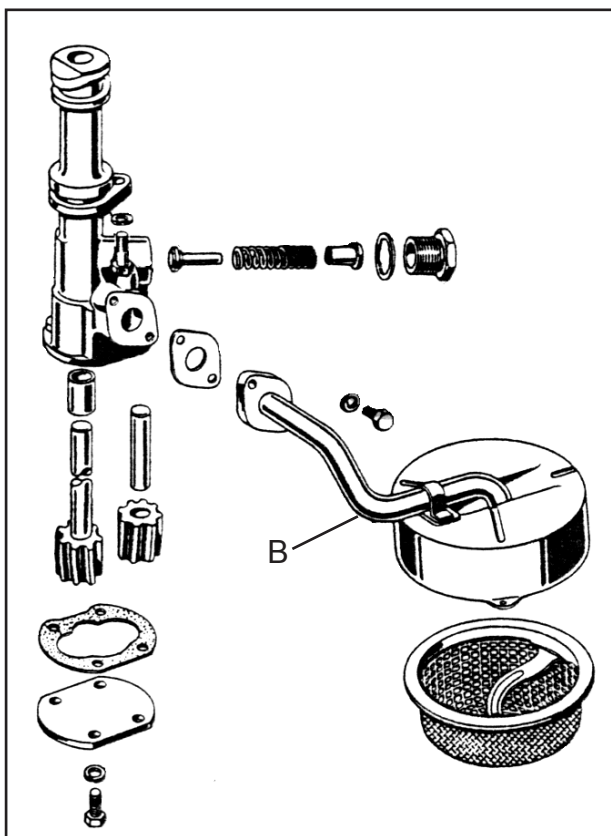


CRANKCASE BREATHER SCREEN

PART #	PIC	DESCRIPTION	YEAR	PRICE
B2TZ-6A631-A		Crankcase Breather Screen - 8 cyl. - 239, 272, & 312	54-56	7.00 ea.

OIL PUMP ASSEMBLIES

PART #	PIC	DESCRIPTION	YEAR	PRICE
8BA-6621		Oil Pump Assembly - V-8	48-53	160.00 ea.
C0AE-6600-D		Oil Pump Assembly - V-8 - 239, 256	55-60	130.00 ea.
EBZ-6622-B		Oil Pump Screen, Tube & Cover Assembly - 8 cyl. 256	54-55	30.00 ea.
8RT-6615	(B)	Oil Pump Pickup Tube - V-8	48-53	17.00 ea.



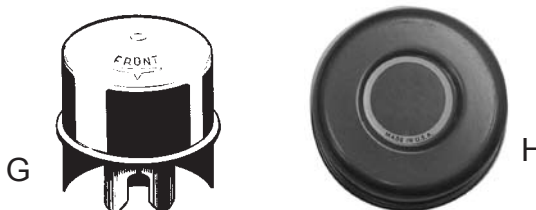
OIL FILTERS

PART #	PIC	DESCRIPTION	YEAR	PRICE
7HA-6731-A	(C)	Oil Filter - 6 cyl. 8 cyl.	40-51 40-52	9.00 ea.
B2A-6731-A		Oil Filter - 6 cyl. 8 cyl.	52-66 53-66	9.50 ea.
DF-64		Oil Filter Decal - V-8	48-53	4.00 ea.
B7A-6882-A	(D)	Oil Filter Adaptor Kit Replaces canister to spin-on type filter - 6 cylinder - 8 cylinder - Y-Block	52-Up 54-Up	30.00 ea.
D9AZ-6731-A	(E)	Spin-On type Oil Filter - for above kit		7.00 ea.
C2AZ-6731-B	(F)	Special Oil Filter Assembly - w/ Check Valve so oil won't drain back. Oil light goes out immediately when engine starts		9.00 ea.



OIL FILLER CAPS

PART #	PIC	DESCRIPTION	YEAR	PRICE
8BA-6766	(G)	Oil Filler Cap - 6 cyl. - 8 cyl.	49-51 48-53	10.00 ea.
EAD-6766-B	(H)	Oil Filler Cap - 8 cyl.	55-68	10.00 ea.



WRITE TO US YOUR NEEDS FOR TRANSMISSION PARTS. WE HAVE MANY PARTS FOR THREE, FOUR, & FIVE SPEED TRUCK TRANSMISSIONS.

OVERDRIVE PARTS

PART #	PIC	DESCRIPTION	YEAR	PRICE
8A-6918-B	(I)	<u>Overdrive Kickdown Switch</u> Goes under accelerator pedal	49-56	20.00 ea.
A9AZ-7A650-A	(J)	<u>Overdrive Cable</u> - w/ Chrome Knob - cut to length	48-56	50.00 ea.



UNIVERSAL JOINTS

PART #	PIC	DESCRIPTION	YEAR	PRICE
21C-7039		<u>Universal Joint - Front or Rear</u> - 1/2 ton	42-63	18.00 ea.



TRANSMISSION SEALS & GASKETS

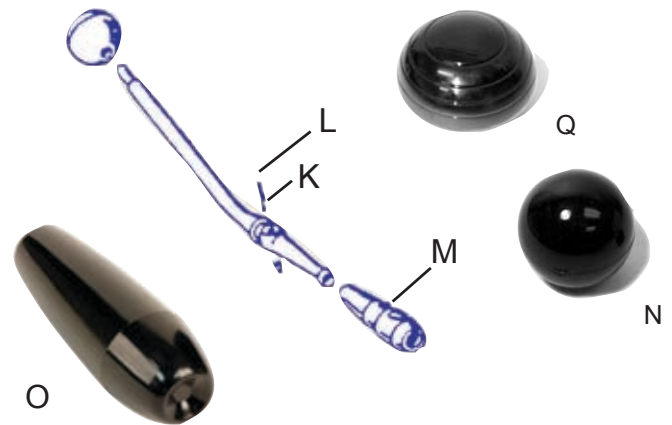
PART #	PIC	DESCRIPTION	YEAR	PRICE
78-7052		<u>Trans. Input Shaft Oil Seal</u> - for 3 speed	48-52	5.00 ea.
21C-7052-A		<u>Trans. Rear Housing Seal</u> - for 3 speed	42-55	6.00 ea.
81A-7107		<u>Synchronizer Brass Rings</u> - Light Duty 3 spd & overdrive	48-56	15.00 ea.
B-7153		<u>Transmission Gasket Set</u> - for 3 speed	48-52	10.00 kit
8A-7153-A		<u>Transmission Gasket Set</u> - for 3 speed	53-56	8.00 kit
B9AP-7A098-B		<u>Transmission Oil Pan Screen</u> - Ford-O-Matic	53-64	30.00 ea.

TRANSMISSION COVER SEALS

PART #	PIC	DESCRIPTION	YEAR	PRICE
7C-8112125-S		Trans. Cover to Floor Seal Kit	48-52	17.50 kit
7C-8112130		Top of Trans. to Cover Seal - Floor Shift Only	48-52	6.00 ea.

COLUMN SHIFTER PARTS

PART #	PIC	DESCRIPTION	YEAR	PRICE
01A-7208	(K)	<u>Gear Shift Lever Pin Spring</u>	48-55	.50 ea.
01A-7221	(L)	<u>Gear Shift Lever Pin - 2 per truck</u>	40-55	6.00 ea.
357479-S		<u>Gear Shift Lever Pin</u> - 3 spd standard trans. - Automatic Transmission	56-61 56-79	.50 ea.
01A-7246-B	(M)	<u>Gear Shift Insulator - Rubber</u> For 3 speed standard	40-72	8.00 ea.
1M-7246-A		<u>Gear Shift Insulator - Rubber</u> For automatic	53-60	8.00 ea.
7C-7213	(N)	<u>Gear Shift Knob - Black</u> - Ball Type	48-55	5.00 ea.
B6C-7213	(O)	<u>Gear Shift Knob - Black</u> - Sphere Shape	56-60	5.00 ea.
AB-7285-B		<u>Side of Transmission Shift Arm</u> - 2nd and 3rd Gear - 3 speed	55-56	10.00 ea.
B5A-7290-A		<u>Side of Transmission Shift Arm</u> - Low & Reverse Gear - 3 speed	55-56	10.00 ea.
01A-7288		<u>Column Shift Linkage to Transmission Seal</u>	48-52	6.00 ea.
BAAA-15805	(P)	<u>Fordomatic Trans. Shift Indicator</u> - Clear plastic with silver letters	53-58	15.00 ea.



FLOOR SHIFTER PARTS

PART #	PIC	DESCRIPTION	YEAR	PRICE
99A-7242-B		<u>Gear Shift Boot - black</u>	40-52	15.00 ea.
91C-7213	(Q)	<u>Gear Shift Knob - Black</u> - for 3 spd floor	39-52	12.50 ea.
BB-7213-A		<u>Gear Shift Lever Knob - Black</u> - 3 spd heavy duty trans. - 4 spd trans. - F100-700	48-52 29-58	4.00 ea.

CLUTCH PARTS

PART #	PIC	DESCRIPTION	YEAR	PRICE
01Y-7507		<u>Clutch Equalizer Ball & Bracket</u> - F-1, F-2, F-3, F-8	48-52	25.00 ea.
01A-7510		<u>Clutch Release Shaft</u> - F-1 - F-6	40-52	35.00 ea.
48-7515	(F)	<u>Clutch Release Shaft Fork</u> - F-1, F-2, & F-3	48-52	20.00 ea.
352581-S8		<u>Clutch Release Shaft to Fork Pin</u>	48-52	1.50 ea.
01A-7517		<u>Clutch Release Equalizer Shaft Bushing</u> - Plastic	40-52	5.00 pr.
TAAA-7521-A		<u>Clutch Adjusting Rod</u>	53-56	8.00 ea.
TAAA-7522-A	(A)	<u>Clutch Release Shaft Fork Pivot</u> - F100 - F600	53-72	20.00 ea.
7RT-7523	(B)	<u>Clutch Pedal Return Spring</u>	48-52	3.00 ea.
TAAA-7523-A	(B)	<u>Clutch Pedal Return Spring</u>	53-56	4.00 ea.
01A-7539-A		<u>Clutch Release Arm Shaft Washer</u> - Rubber	48-52	.50 ea.
01A-7545		<u>Clutch Release Arm Shaft Spring</u>	48-52	1.50 ea.

CLUTCH RELEASE PARTS

PART #	PIC	DESCRIPTION	YEAR	PRICE
78-7580-A	(E)	<u>Clutch Release Bearing</u> - 1/2 to 3/4 ton	37-56	35.00 ea.
B-7600		<u>Clutch Pilot Bearing</u> - All models	32-56	9.00 ea.
8A-7996		<u>Clutch Release Arm to Bell Housing Seal</u>	48-52	1.00 ea.
48-7561	(G)	<u>Clutch Release Bearing Hub</u>	32-52	20.00 ea.
B3TZ-7561-A		<u>Clutch Release Bearing Hub Assembly</u>	53-56	250.00 ea.
48-7562		<u>Clutch Release Bearing Hub Spring</u>	32-52	4.00 ea.

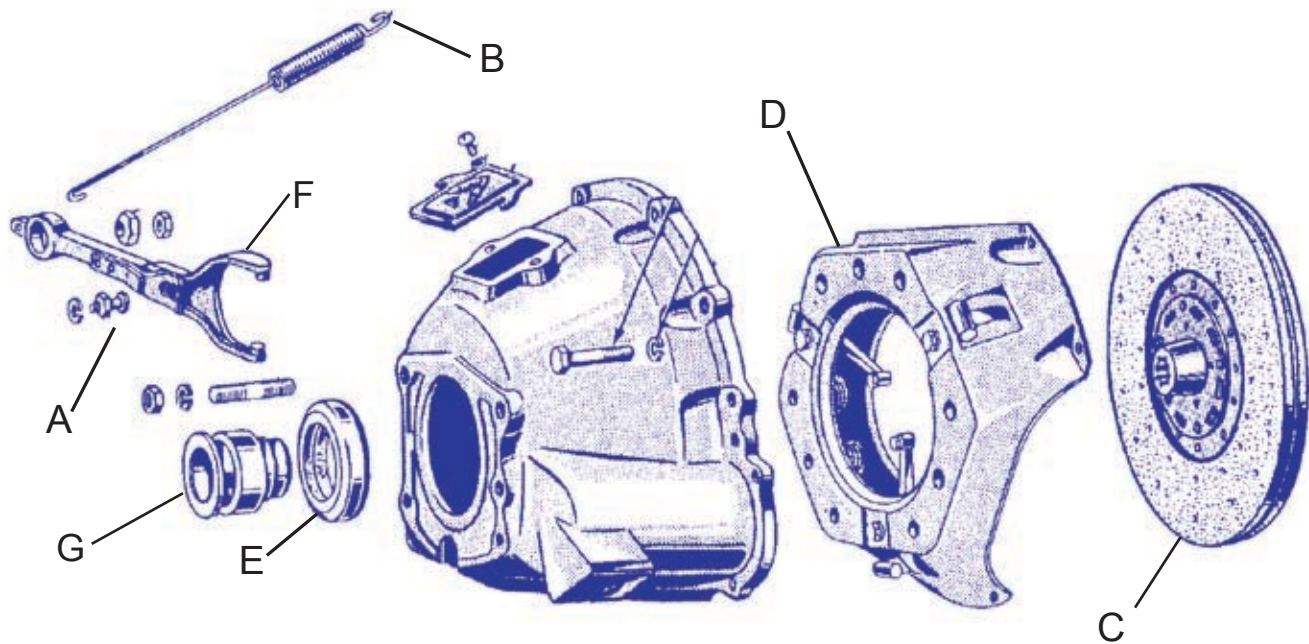
GEAR SHIFT LEVER GROMMET REPAIR KIT

PART #	PIC	DESCRIPTION	YEAR	PRICE
01A-7354-RK	(H)	<u>Gear Shift Lever Grommet Repair Kit</u> - Need (2) kits Column Shift only	48-56	5.00 kit



CLUTCH DISC & PRESSURE PLATE

PART #	PIC	DESCRIPTION	YEAR	PRICE
29A-7550-N	(C)	<u>Clutch Disc</u> - 10" - 1/2 ton & 3/4 ton - NEW	41-56	60.00 ea.
81T-7550		- 11" - 3/4 ton to 2 ton - NEW	53-60	50.00 ea.
19A-7563	(D)	<u>Pressure Plate 10" - Outright</u> - 1/2 & 3/4 ton - Exchange	41-56	85.00 ea. 75.00 ea.
51A-7563	(D)	<u>Pressure Plate 11"</u> - 3/4 ton to 2 ton	53-60	100.00 ea.



STARTER RING GEAR

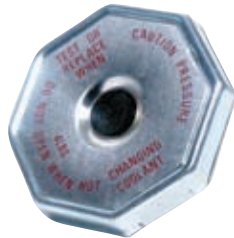
PART #	PIC	DESCRIPTION	YEAR	PRICE
1P-7950-E		Starter Ring Gear for Fordomatic Transmission - F100 - 6 cyl. - 14.85" O.D. & 146 teeth	53-62	30.00 ea.
B5A-7950-A		Starter Ring Gear for Fordomatic Transmission - F100 - 8 cyl. - 15.05" O.D. & 148 teeth	54-64	30.00 ea.

RADIATOR CAPS

PART #	PIC	DESCRIPTION	YEAR	PRICE
41A-8100-C	(I)	Radiator Cap - 4 lbs. pressure - all models	38-51	10.00 ea.
1T-8100-A	(J)	Radiator Cap - 4 lbs. pressure - all models	52-56	7.50 ea.



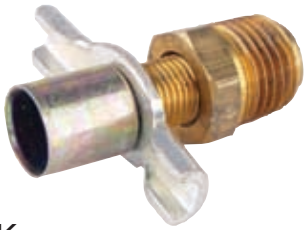
I



J

DRAIN COCKS

PART #	PIC	DESCRIPTION	YEAR	PRICE
8A-8115	(K)	Radiator Draincock - 1/4" pipe thread w/ tubing extension	48-53	5.00 ea.
8CM-8115-A	(L)	Radiator Draincock - 1/4" pipe thread w/ right angle outlet	48-72	5.00 ea.



K



L

RADIATOR SUPPORT PADS

PART #	PIC	DESCRIPTION	YEAR	PRICE
8C-8124-A		Radiator Support to Frame Pad	48-52	2.00 ea.
BAAA-8125-S	(M)	Radiator Support to Frame Pad Kit Includes: (2) center pads, (2) outer support pads, bolts, nuts, lock washers	53-55	20.00 kit
B6C-8125-S	(N)	Radiator Support to Frame Pad Kit Includes: (2) center pads, (2) outer support pads, bolts, nuts, lock washers	56	20.00 kit



M

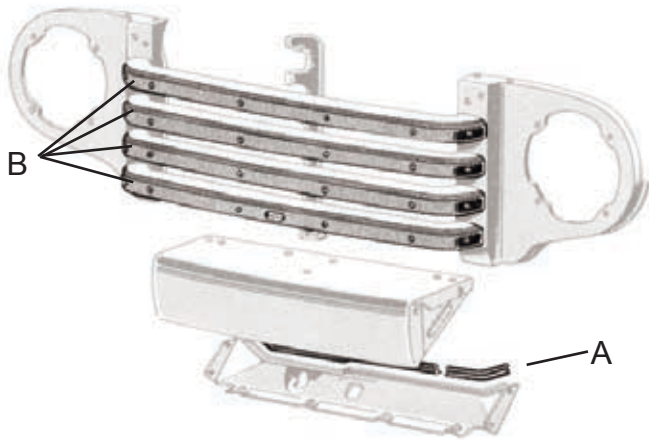


N



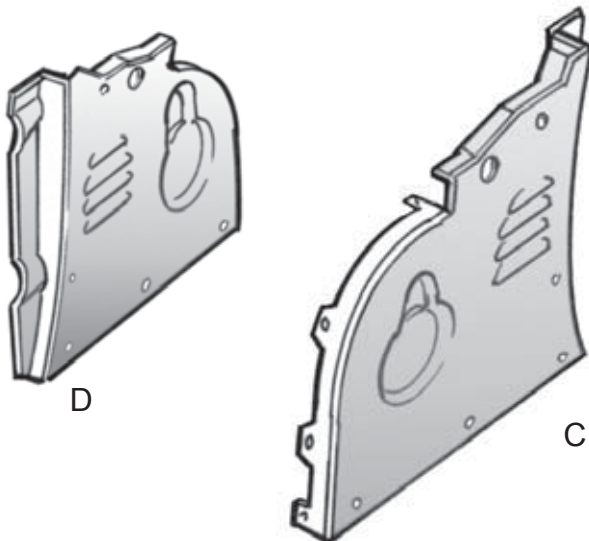
RADIATOR GRILLE PARTS

PART #	PIC	DESCRIPTION	YEAR	PRICE
		<u>Lower Radiator Grille Splash Pan to Radiator Seal</u>		
7C-8348-A	(A)	- 29"	48-52	3.00 ea.
B3T-8348-A		- 23 1/2"	53-56	5.00 ea.
B3T-8349		<u>Air Deflector to Top of Radiator Seal - 27 1/4"</u>	53-56	5.00 ea.
7C-8188		<u>Lower Grille Panel</u>	48-50	120.00 ea.
7C-8200-GBK	(B)	<u>Grille Trim Polished Stainless Kit</u> Includes: (1) of 7C-8332, (3) of 7C-8334 & (1) of 7C-8345	48-50	180.00 set



RADIATOR GRILLE AIR DEFLECTOR

PART #	PIC	DESCRIPTION	YEAR	PRICE
B6C-8310-A	(C)	RH Grille Air Deflector	56	100.00 ea.
B4C-8310		RH Grille Air Deflector	53-55	100.00 ea.
B6C-8311-A	(D)	LH Grille Air Deflector	56	100.00 ea.
B4C-8311		LH Grille Air Deflector	53-55	100.00 ea.



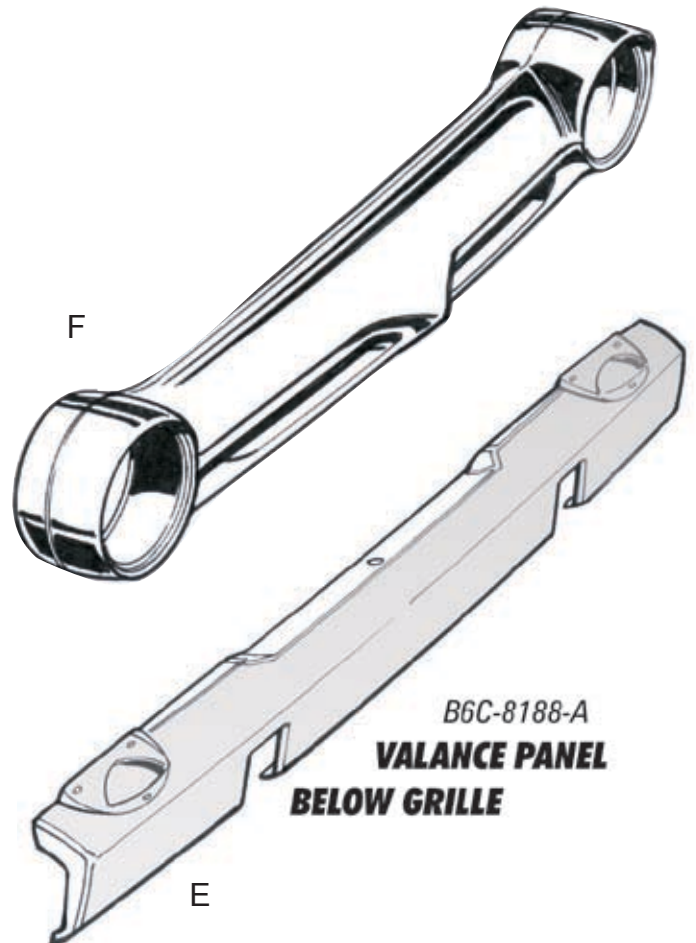
GRILLE PARTS

PART #	PIC	DESCRIPTION	YEAR	PRICE
		<u>Lower Radiator Grille Panel or Valance Panel</u>		
B3C-8188-A		- Steel	53	175.00 ea.
B4C-8188-A		- Steel	54	175.00 ea.
B6C-8188-A	(E)	- Steel	55-56	175.00 ea.
		<u>Front Grille</u>		
B6C-8200-B	(F)	- Chrome	56	500.00 ea.
B6C-8200-PL		- Black - EDP Primer	56	450.00 ea.


The Classic F100 Collection

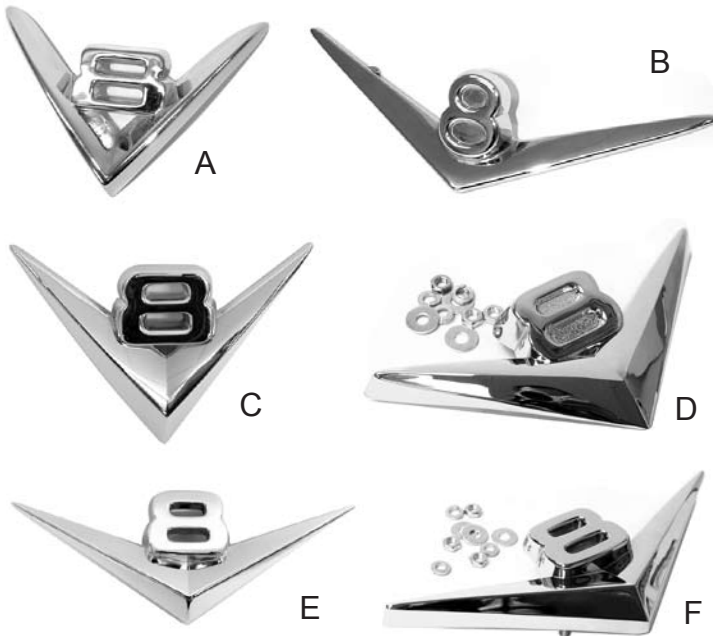


1956 F100 CHROME GRILLE



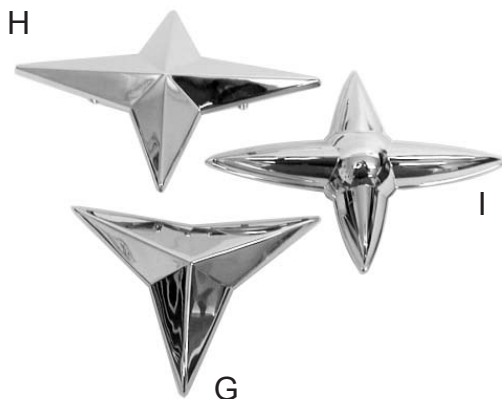
GRILLE EMBLEMS - V8

PART #	PIC	DESCRIPTION	YEAR	PRICE
				
All V8 Emblems below are				
1RC-8259-A	(A)	Grille V-8 Emblem with fasteners	1951	42.50 ea.
2C-16608-A	(B)	Grille V-8 Emblem with fasteners	1952	42.50 ea.
BAAA-8259-A	(C)	Grille V-8 Emblem with fasteners	1953	55.00 ea.
B4C-8259	(D)	Grille V-8 Emblem with fasteners	1954	55.00 ea.
B5C-8259	(E)	Grille V-8 Emblem with fasteners	1955	55.00 ea.
B6C-8259-A	(F)	Grille V-8 Emblem with fasteners	1956	55.00 ea.



GRILLE EMBLEMS - 6 CYLINDER

PART #	PIC	DESCRIPTION	YEAR	PRICE
BAAA-8259-S	(G)	Radiator Grille 3 Point Star - 6 cylinder - with fasteners	53	52.50 ea.
B4C-8259-S	(H)	Radiator Grille 4 Point Star - 6 cylinder - with fasteners	54	52.50 ea.
B5C-8259-S	(I)	Radiator Grille 4 Point Star - 6 cylinder - with fasteners	55	52.50 ea.



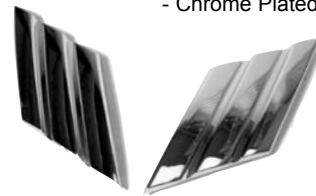
CUSTOM CAB GRILLE TEETH

PART #	PIC	DESCRIPTION	YEAR	PRICE
BAAA-8164-SET		Custom Cab Grille Teeth - Die Cast Zinc - Chrome-Plated w/ template - set of 6 - sold in sets only	53	175.00 set



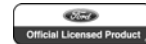
CUSTOM CAB GRILLE HASH MARKS

PART #	PIC	DESCRIPTION	YEAR	PRICE
B4C-8251-PR		Custom Cab Grille Hash Marks - Die Cast Zinc - Chrome Plated w/ Template	54	140.00 pr.



RADIATOR GRILLE PANEL LETTERS

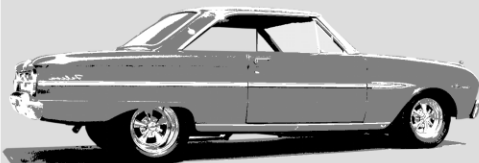
PART #	PIC	DESCRIPTION	YEAR	PRICE
7C-8315-S		Radiator Grille Panel Letters - F O R D - with fasteners	48-50 & 52	50.00 set



"GULL WINGS" GRILLE MOULDING

PART #	PIC	DESCRIPTION	YEAR	PRICE
B5C-8419-PR		Grille Moulding (Gull Wings) - F100-800	1955	200.00 pr.





Join our Ford Family

The FORD OWNERS' ASSOCIATION
welcomes all Fords and promotes the
enjoyment of these great American vehicles.

What is better than owning a Ford? Our family oriented association is for people of all ages and for Ford vehicles of all kinds. We've listed some of our criteria to show you what our family is all about.

- 1) Unite individuals with diverse interests, with the common goal of enjoying their Ford vehicles under one association.
- 2) Sponsor a yearly event that will be held at the same time and place each year.
- 3) Serve as a common interest point of unity for members of all special interest clubs featuring Ford vehicles.
- 4) Encourage people to bring their vehicles to an event that will offer display classes, which concentrate on cleanliness, and workmanship, and classes who want to challenge concours judging.

For answers to your questions:

Mailing Address

Ford Owners' Association, Inc.
2700 Braselton Highway
Suite 10-239
Dacula, GA 30019

General Information

- Randy Church - (706) 776-7379 or rchurch@fordownersassociation.org
- Donny & Lynn Brown - brown351@hotmail.com
- Bill & Sue Howell 706-202-6940 - billydoug55@alltel.net
- Donny & Lynn Brown - 289wheels@gmail.com
- Eddie & Meghan O'Neal - 770-972-6603 - megs71wagon@bellsouth.net

Membership

- David Johnson - d68cougar@mindspring.com

Web Support

- Webmaster: Jerry Gilbert - FOAM62@verizon.net

Newsletter

- Lynn Brown - 289wheels@gmail.com
- Meghan O'Neal - 770-972-6603 - megs71wagon@bellsouth.net

www.fordowners.org

Role the dies!



There's no gambling with the authenticity of our rocker moldings!



Durable Brite Anodized Finish
All Moldings Include Fasteners
Short & Long Bed Rocker Sets

Dennis Carpenter Ford Restoration Parts uses the original Ford roller dies to make our F100 rocker moldings. Combine this fact with using superior grade aluminum material and what you end up with are rocker moldings that look, fit and function exactly like those that came on your Ford truck when it was new.

Compare Our **Quality** 
MADE IN THE U.S.A.

Making Quality Ford Restoration Parts For 35 Years

VISIT US ONLINE: DENNIS-CARPENTER.COM

RADIATOR HOSE

PART #	PIC	DESCRIPTION	YEAR	PRICE
8RT-8290		Upper Radiator Hose Pipe - V-8 F-1 - F-6	48-52	16.00 ea.

RADIATOR HOSE CLAMPS

PART #	PIC	DESCRIPTION	YEAR	PRICE
		<u>Upper Hose Clamp</u>		
AB-8287	(A)	- 6 cyl. 1 7/8" O.D.	48-66	1.50 ea.
8BA-8287		- 8 cyl. 1 5/8" O.D.	48-53	1.50 ea.
		<u>Lower Hose Clamp</u>		
B-8287		- 6 cyl. 2 1/8" O.D.	48-66	1.50 ea.
B-8287		- 8 cyl. - 2 1/8" O.D.	48-56	1.50 ea.
AB-8287		<u>Upper Hose Clamp</u> - 8 cyl. - 1 7/8" O.D.	54-64	1.50 ea.



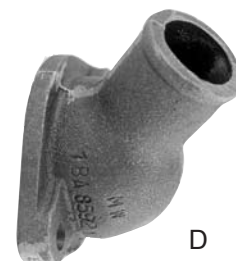
THERMOSTATS

PART #	PIC	DESCRIPTION	YEAR	PRICE
1BA-8575-A		<u>Thermostat</u> - V-8 160 degrees	48-53	5.00 ea.
1BA-8575-B	(B)	<u>Thermostat</u> - V-8 180 degrees	48-53	5.00 ea.
C2AZ-8575-B	(C)	<u>Thermostat</u> - 6 cylinder 160 degrees - 8 cylinder 160 degrees	52-64 54-67	6.00 ea.
C2AZ-8575-A	(D)	<u>Thermostat</u> - 6 cylinder 180 degrees - 8 cylinder 180 degrees	52-64 54-67	6.00 ea.

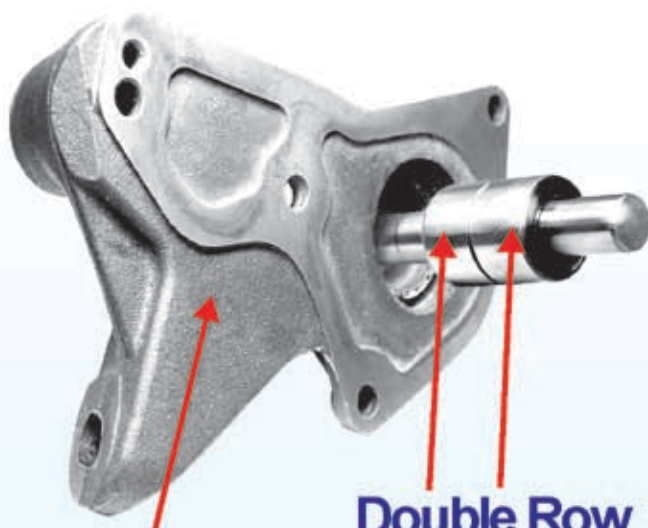


THERMOSTAT GASKETS & HOUSINGS

PART #	PIC	DESCRIPTION	YEAR	PRICE
8BA-8255-B	(C)	Thermostat Housing Gasket V-8	48-53	1.00 ea.
B5A-8255-A		Thermostat Housing Gasket V-8	54-60	1.00 ea.
EAG-8255-A		Thermostat Housing Gasket 6 cyl.	52-60	1.00 ea.
8BA-8592-A	(D)	Thermostat Housing - V-8	48-53	17.50 ea.
B5C-8592-C		Thermostat Housing - V-8	54-64	12.50 ea.



These features make our V8 flathead water pumps better

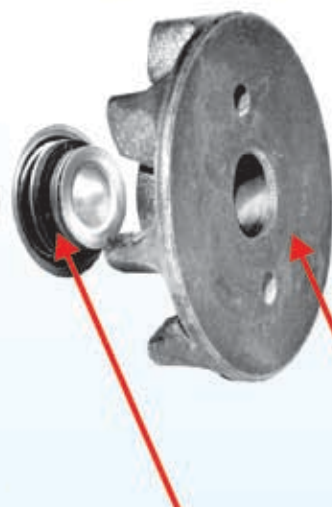


**New Pump
Housings**

Our pump housings are new castings (not rebuilds) guaranteeing that there are no coolant-leaking stress cracks. Each housing's mounting surface is machined straight and true ensuring water-tight sealing when mounted to your flathead.

**Double Row
Sealed
Ball Bearings**

Original water pump impeller shafts relied on bronze bushings as bearings and were prone to premature wear. Our new pump shafts spin on double row ball bearings which extends pump life and decreases frictional heat.



**Ceramic
Seals**

We've applied the advantages of modern technology to our pumps by introducing ceramic seals to the impeller shafts. Ceramic type seals are used in modern day water pumps and have a greater resistance to wear which significantly reduces the possibility of leakage and prolongs the life of the pumps.

Original impeller design
creates
inadequate
coolant
flow rate



Helical impeller design
increases
coolant
flow rate

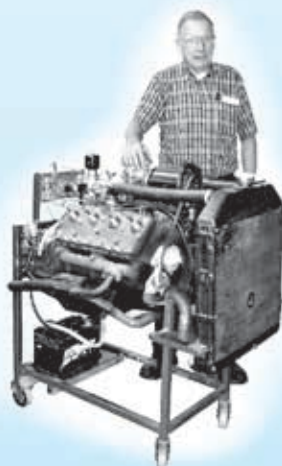


**Helical
Impellers**

We've introduced the efficiency of helical impeller blades to our 1948-1952 water pumps. The angled arrangement of the impeller blades allows the coolant to flow faster through the radiator system at lower rpms. This results in a cooler running engine when operating at idle speed.

Runs 10° Cooler

An endurance test revealed that a V8 Ford flathead fitted with a pair of our better-flowing water pumps operated with a coolant temperature averaging 155° where as the same engine using stock pumps ran at approximately 165°. This proves that our water pumps produce lower coolant temperatures at idle speed than stock pumps and can ultimately prolong the life of your V8.



This 1940 85 h.p. flathead ran coolly for 9 continuous hours for 3 consecutive days using new Dennis Carpenter V8 water pumps.

Water Pumps Engineered To Keep Your Flathead Running Cooler

Install Dennis Carpenter water pumps on your classic Ford



WATER PUMPS

WATER PUMPS - NEW

PART #	PIC	DESCRIPTION	YEAR	PRICE
When ordering water pump, indicate width of belt at top (3/8" or 5/8") or width of pulley at top				
8RT-8501-N		<u>Water Pump</u> - Right - V-8 239 w/ gasket	48-52	135.00 ea.
8RT-8502-N		- Left - V-8 239 w/ gasket	48-52	135.00 ea.
EAB-8501-PR	(E)	<u>Water Pumps</u> - (Right & Left) - Narrow Belts - New - V-8	53	150.00 pr.
<u>Water Pump - V8 - NEW</u>				
EAB-8501-N		- RH	53	80.00 ea.
EAB-8502-N		- LH	53	80.00 ea.
B6C-8501-CN		<u>Water Pump</u> - 6 cyl. 223	54-64	85.00 ea.
B6C-8501-BN		<u>Water Pump</u> V-8 - 272, 292	56-64	105.00 ea.



E

WATER PUMPS - REBUILT - 6 cyl.

PART #	PIC	DESCRIPTION	YEAR	PRICE
B6C-8501-D	(H)	<u>Water Pump</u> - NOS - 223, 6 cyl.	54-64	50.00 ea.
B6C-8501-CR		<u>Water Pump</u> - Rebuilt - 6 cyl. 223	54-64	100.00 ea.



H

WATER PUMPS - REBUILT - 8 cyl.

PART #	PIC	DESCRIPTION	YEAR	PRICE
8RT-8501-R		<u>Water Pump</u> - EXCHANGE - RH - Rebuilt V-8 239	48-52	80.00 ea.
8RT-8502-R		<u>Water Pump</u> - EXCHANGE - LH - Rebuilt V-8 239	48-52	80.00 ea.

WATER PUMP RELATED

PART #	PIC	DESCRIPTION	YEAR	PRICE
A8C-8591	(F)	<u>Water Pump Repair Kit</u> - V-8 - Sleeve Bearing Type	48-53	20.00 ea.
8BA-8507		<u>Water Pump Gasket</u> - V-8	48-53	2.00 ea.



F

WATER PUMP PULLEYS

PART #	PIC	DESCRIPTION	YEAR	PRICE
8RT-8509-A		- 5/8" Belt - V8 - Right or Left	48-52	10.00 ea.
8BA-8509-B	(A)	- 3/8" Belt - V8 - Right	53	10.00 ea.
BOAZ-8509-A	(B)	- 3/8" Belt - V8 - Left	53	10.00 ea.



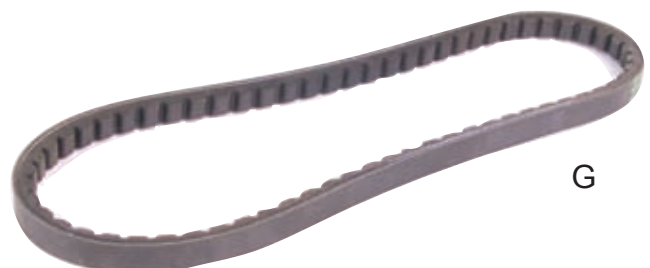
A



B

FAN BELTS

PART #	PIC	DESCRIPTION	YEAR	PRICE
21C-8577-A	(G)	<u>Fan Belt Only</u> - Replacement - Wide Type - V-8	48-52	18.00 ea.
8BA-8577		<u>Fan & Water Pump Belt</u> - Narrow Type - V-8	53	15.00 ea.
EAT-8577-A		<u>Fan Belt</u> - V-8	54-55	24.00 ea.
EAA-8577		<u>Fan Belt</u> - 6 cylinder	53-55	12.00 ea.
<u>Generator & Water Pump Belt</u>				
7RA-8620-C		- Wide Type - V-8	48-52	20.00 ea.
8BA-8620-B		- Narrow Type - V-8	53	18.00 ea.



G

GAS TANKS

PART #	PIC	DESCRIPTION	YEAR	PRICE
7C-9002		In Cab Tank - 20 gallon - Steel	48-52	275.00 ea.
BAAA-9002	(A)	Outside Rail Mount - 20 gallon - Steel	53-55	250.00 ea.
B6C-9002-B		In Cab Tank - 20 gallon - Steel - F100/750	56	275.00 ea.

GAS TANK STRAPS

PART #	PIC	DESCRIPTION	YEAR	PRICE
TAAA-9054-PR	(B)	Gas Tank Straps - 1 1/4" wide	53-55	50.00 pr.

GAS TANK CAPS

PART #	PIC	DESCRIPTION	YEAR	PRICE
B-9030	(C)	<u>Stainless Steel Cap</u> - not vented	32-50	8.00 ea.
48-18416	(D)	<u>Locking Gas Cap</u> - w/ Keys - Ford Script	32-50	30.00 ea.
01A-18416-A	(E)	<u>Locking Gas Cap</u> - w/ (2) keys	51-70	40.00 ea.
8A-9030	(F)	<u>Stainless Steel Cap</u> - Vented	51-70	7.00 ea.



GAS TANK FILLER PIPE

PART #	PIC	DESCRIPTION	YEAR	PRICE
Gas Tank Filler Pipe are 1.8 O.D.				
B4C-9034-A	(G)	<u>Gas Tank Filler Pipe</u>	53-55	40.00 ea.
B6C-9034-A		<u>Gas Tank Filler Pipe</u>	56	40.00 ea.

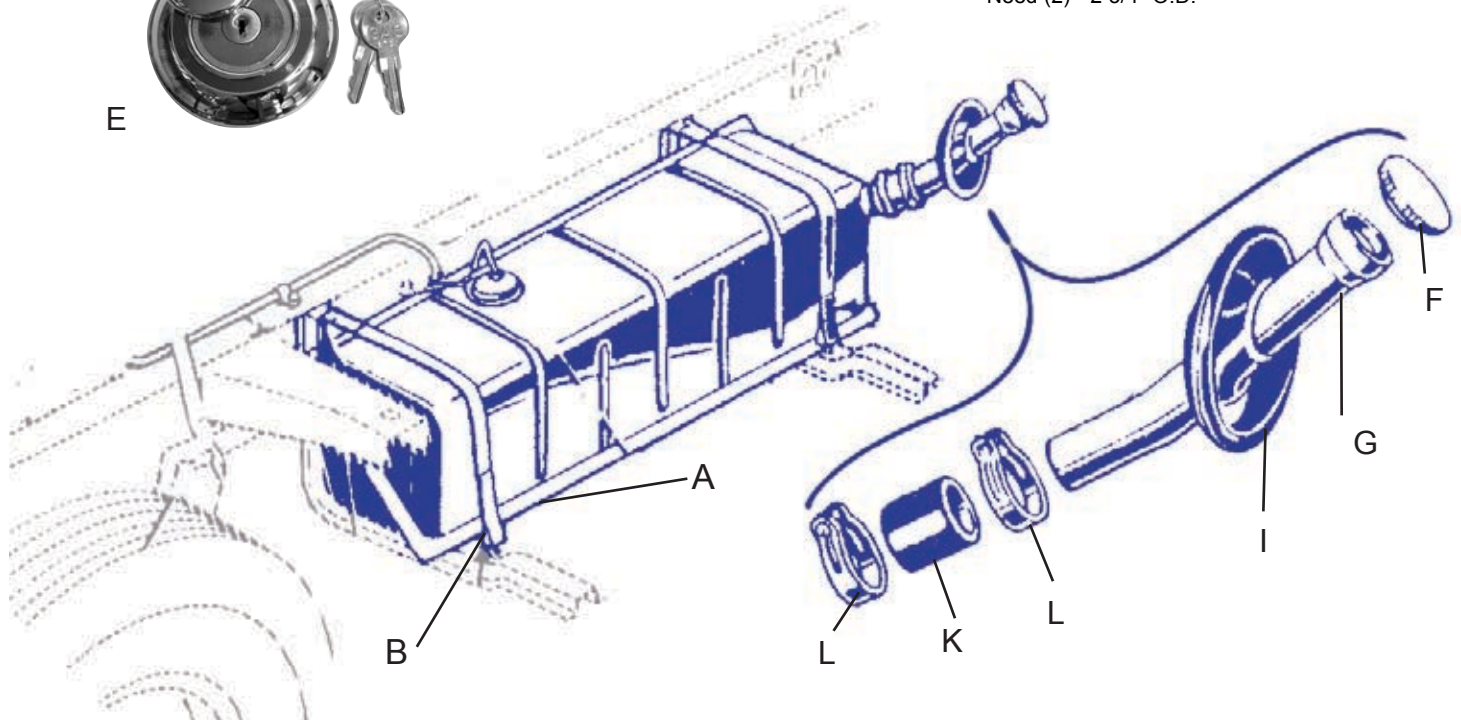
GAS TANK NECK GROMMET

PART #	PIC	DESCRIPTION	YEAR	PRICE
7C-9080-A	(H)	Gas Tank Neck Grommet	48-52	17.50 ea.
BAAA-9080-B	(I)	Gas Tank Neck Grommet Pickup Only	53-55	25.00 ea.
B6C-9080	(M)	Gas Tank Neck Grommet - Exactly as original	56	15.00 ea.
C1TZ-9080-A	(J)	Gas Tank Neck Grommet - Not exactly as original	56	10.00 ea.



GAS TANK CONNECTING HOSE

PART #	PIC	DESCRIPTION	YEAR	PRICE
Check size before ordering				
	(K)	<u>Gas Tank Connection Hose for neck</u>		
78-9047		- F100-F600 - 1.8" I.D.	56-72	10.00 ea.
21A-9047		- 2.18" I.D.	42-55	7.50 ea.
	(L)	<u>Gas Tank Connection Hose Clamp</u>		
B-8287		- Need (2) - 2 1/8" O.D.	56	1.50 ea.
11A-8287		- Need (2) - 2 3/4" O.D.	42-55	1.50 ea.



GAS TANK SENDING UNIT FLOATS

PART #	PIC	DESCRIPTION	YEAR	PRICE
68-9275-F	(N)	- Hollow Brass	48-60	10.00 ea.
68-9275-S	(O)	- Solid Design	48-60	5.00 ea.



Though made like the originals, hollow brass floats could leak at the soldered joint and sink giving false readings to the sending unit.

Our gasoline resistant, dense foam float with brass cap resists corrosion and the will not sink. Attaches to sending unit arm like the original.



GAS TANK SENDING UNIT

PART #	PIC	DESCRIPTION	YEAR	PRICE
99A-9275	(P)	<u>Gas Tank Sending Unit</u> - w/ Float & Gasket - 6 or 12 volt - Use with original gauges only - w/ solid design float - 14/18 ohms Full - 88-94 ohms Empty	48-55	35.00 ea.
B6A-9275		<u>Gas Tank Sending Unit</u> -w/float & Gasket - 750ohms Empty - 75 ohms Full	1956	60.00 ea.
68-9276		<u>Gas Tank Sending Unit to Tank Gasket</u>	48-56	2.00 ea.



GAS TANK RELATED PARTS

PART #	PIC	DESCRIPTION	PRICE
GTS-9000	(Q)	<u>Gas Tank Slushing Compound</u> - eliminates rust & corrosion - Seals small pin holes)	25.00 qt.



GAS TANK RELATED PARTS

PART #	PIC	DESCRIPTION	YEAR	PRICE
21C-9299	(R)	<u>Gas Tank Outlet to Floor Pads Anti Squeak</u>	48-52	5.00 pr.
7C-9136-A	(S)	<u>Fuel Tank Outlet to Floor Seal</u>	48-52	5.00 ea.
48-17265	(T)	<u>Grommet for where gas line goes through floor pan</u>	56	3.00 ea.
01A-16188	(U)	<u>Gas Tank to Floor Bumpers</u> - Set of (4)	48-52	4.00 set



OIL PRESSURE SENDING UNIT

PART #	PIC	DESCRIPTION	YEAR	PRICE
B6A-9278	(A)	<u>Oil Pressure Sending Unit</u> - with Warning Lights - 12 volt	54-66	10.00 ea.
41A-9278		Oil Pressure Sending Unit - V8 - 80 lb.	48-53	40.00 ea.



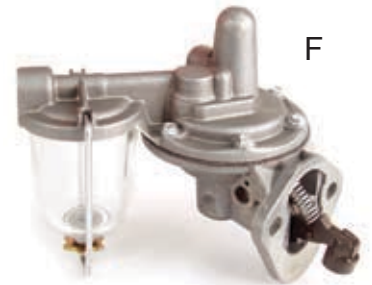
A

FUEL PUMPS - 8 cyl.

PART #	PIC	DESCRIPTION	YEAR	PRICE
EAB-9350-R	D	<u>Fuel Pump - Rebuilt</u> <u>Fuel & Vacuum</u> - V-8 - metal bowls	49-53	175.00 outright 125.00 exchange
578-9350-A	(F)	<u>Fuel Pump - NEW</u> - V-8 - glass bowl	48-50	60.00 ea.
9785-9350		- V-8 - glass bowl	51-53	70.00 ea.
6523-9350		- V-8 - metal bowl	55-60	60.00 ea.



D



F

FUEL LINES

PART #	PIC	DESCRIPTION	YEAR	PRICE
18-9282	(B)	<u>Steel Fuel Line from Gas Tank</u> <u>to Flexible Fuel Line</u> - 12 ft. - Use your old fittings	48-56	16.00 ea.
7HC-9288-A		<u>Flexible Fuel Line from main</u> <u>line to fuel pump</u> - 6 & 8 cylinder - All	48-50	9.00 ea.
1A-9288-A	(C)	<u>Flexible Fuel Line from main</u> <u>line to fuel pump</u> - 6 & 8 cylinder - All	51-53	9.00 ea.
		- 6 cylinder	54-56	
1A-9288-ANOS		<u>Flexible Fuel Line</u> - NOS - Ford Script - 6 & 8 cylinder - ALL - 6 cylinder	51-53 54-56	10.00 ea.
B3TZ-9288-A		<u>Flexible Fuel Line</u> - 8 cylinder	54	7.00 ea.
B5C-9288-A		<u>Flexible Fuel Line</u> - 8 cylinder	55-56	7.00 ea.
B6TZ-9288-A		<u>Flexible Fuel Line</u> - From Tank to Gas Line (under cab) - F100-600	56-60	12.00 ea.

FUEL PUMPS - 6cyl.

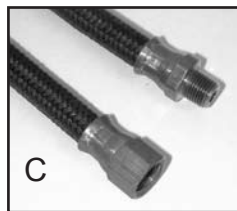
PART #	PIC	DESCRIPTION	YEAR	PRICE
592-9350		<u>Fuel Pump - NEW</u> - 6 cylinder - glass bowl	48-50	80.00 ea.
4208-9350		- 6 cylinder - metal bowl	55-60	60.00 ea.

FUEL PUMPS RELATED

PART #	PIC	DESCRIPTION	YEAR	PRICE
59A-9364		<u>Fuel Pump Filter Bowl</u> <u>to Pump Gasket</u>	48-52	.50 ea.
48-9374		<u>Fuel Pump Stand To Intake</u> <u>Gasket - V-8</u>	32-53	2.00 ea.
1GA-9417		<u>Fuel Pump to Stand Gasket</u>	48-53	.50 ea.
8BA-9400-A		<u>Fuel Pump Push Rod - V-8</u>	48-53	15.00 ea.
8BA-6025		<u>Fuel Pump Push Rod Bushing</u> - V-8	48-53	5.00 ea.
8BA-9416		<u>Fuel Pump Stand - V-8</u>	48-53	20.00 ea.
B1A-9349-B		<u>Fuel & Vacuum Pump</u> <u>Repair Kit</u> - 8 cylinder	45-54	40.00 ea.
68-9398-A	(G)	<u>Fuel Pump Diaphragm</u> <u>& Bowl Gasket - V8</u>	48-52	10.00 ea.



B



C



G

ELECTRIC FUEL PUMPS

PART #	PIC	DESCRIPTION	YEAR	PRICE
EEP-9400-A		Electric Fuel Pump - 6 volt	40-55	80.00 ea.
EEP-9400-B	(H)	Electric Fuel Pump - 12 volt	56-60	70.00 ea.



CARBURETORS

PART #	PIC	DESCRIPTION	YEAR	PRICE
8RT-9510-R		Carburetor - Rebuilt - V-8 - Mounting Gasket Included	48-53	EXCHANGE 150.00 ea. OUTRIGHT 250.00 ea.

**NOTE: EXCHANGE
CARBURETOR MUST
BE REBUILDABLE &
MUST BE IDENTICAL
TO THE ONE
ORDERED.
Does NOT have Choke
or Accelerator Lever**



EXHAUSTS MANIFOLDS & RELATED PARTS

PART #	PIC	DESCRIPTION	YEAR	PRICE
C2TZ-9430-D	(I)	<u>Exhaust Manifold - RH</u> - F-100-700 - 8 cyl. 239, 256, 272, 292	55-64	100.00 ea.
B5A-9431-B		<u>Exhaust Manifold - LH</u> - F-100-700 - 8 cyl. 239, 256, 272, 292 - will fit 1954 F-100-700 w/ 8 cyl. 239 or 256 by using both manifolds along w/ B5A-5267-B crossover pipe - LIMITED SUPPLY	55-64	75.00 ea.
B5A-9450-A		<u>Exhaust Manifold to Crossover Pipe Gasket - F-100-700</u> - 8 cyl. 239, 256, 272, 292	55-64	1.25 ea.
1GA-9450		<u>Exhaust Manifold to Inlet Pipe Gasket - F-100-700</u> - 8 cyl. 239, 256, 272, 292	48-64	2.00 ea.
B5A-9492-S		<u>Exhaust Manifold Gasket Set</u> - 239, 256, 272, 292, & 312 Y-Blocks	55-64	16.00 set



CARBURETOR REPAIR KITS

PART #	PIC	DESCRIPTION	YEAR	PRICE
7HA-9590-A		<u>Carburetor Repair Kit - 6 cyl.</u>	48-51	45.00 ea.
8BA-9590	(J)	<u>Carburetor Repair Kit - V-8</u> - 94 Holley or Stromberg	37-57	24.00 ea.
B2A-9590-A		<u>Carburetor Repair Kit - 6 cyl.</u>	52-57	30.00 ea.



DENNIS CARPENTER
FORD TRACTOR RESTORATION PARTS
1939-1964

headlights engine parts batteries & trays steering parts
emblems grilles taillights & work lights
rims & tires wiring harnesses running boards brake parts

**call for free
parts catalog**
1-800-476-9653
Specializing in 9N, 2N, 8N, NAA and Jubilee

Carpenter 2007
FORD TRACTOR
1939-1964
9N, 2N, 8N
Jubilee, NAA
900, 1000, 1200, 1500,
1700, 2000, 2200, 2400,
2600, 3000

Also providing parts for:
600-900
501-901
2000, 4000

View parts online:
www.dennis-carpenter.com

Official Licensed Product

4140 Concord Parkway So., Concord, NC 28027 E mail: info@dennis-carpenter.com

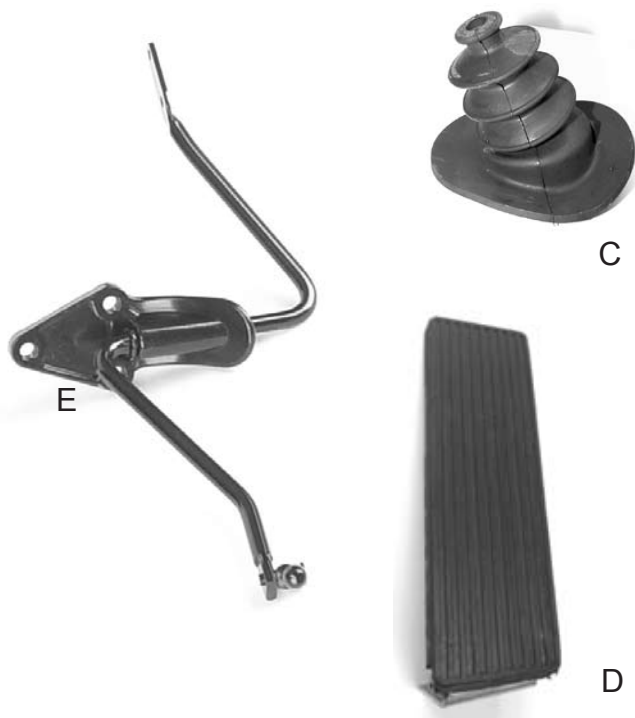
CHOKES & THROTTLE

PART #	PIC	DESCRIPTION	YEAR	PRICE
7C-9700-U	(A)	<u>Choke & Throttle Cable</u> - w/ NO Knob - Universal - V-8 - Cut to Fit	48-Up	10.00 ea.
EAB-9805-A	B	<u>Choke Lever Assembly</u> - V-8 - Side where Choke Cable mounts	48-52	10.00 ea.



ACCELERATOR PARTS

PART #	PIC	DESCRIPTION	YEAR	PRICE
7C-8112177	(C)	<u>Accelerator Pedal Rod to Floor Seal</u>	48-52	22.50 ea.
TAAA-9735-A	(D)	<u>Accelerator Pedal</u>	48-56	12.50 ea.
TAAA-9725-C	(E)	<u>Accelerator Linkage Swivel</u> - Standard Trans. - 6 cyl. - Standard Trans. - V8 - Installation w/ left side of carburetor linkage	53-56 54-56	47.50 ea.
7HC-9738-C		Gas Pedal Rod	48-52	10.00 ea.
7HC-9760-C		Gas Pedal Rod Spring	48-52	2.00 ea.



VOLTAGE REGULATORS

PART #	PIC	DESCRIPTION	YEAR	PRICE
51A-10505	(F)	- 6 volt - Replacement	40-55	50.00 ea.
B6A-10505		- 12 volt - Replacement	56-64	30.00 ea.
B6A-10505-00	(L)	- Original Ford - 12 volt	56-64	60.00 ea.
CC-104		<u>Voltage Regulator Metal Tag</u> - FAC-10505-AI	48-53	6.50 ea.

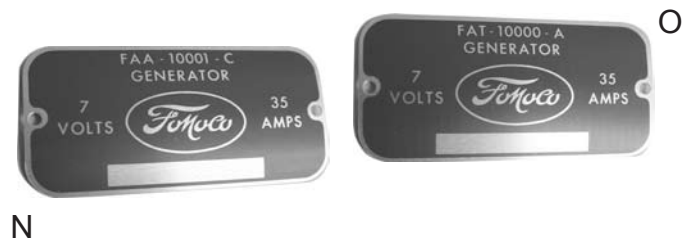


GENERATORS (PLEASE STATE EXACT YEAR)

PART #	PIC	DESCRIPTION	YEAR	PRICE
8BA-10002-D		<u>Generator</u> - Rebuilt - V-8	48-53	Outright 200.00 ea. Exchange 100.00 ea.
B1A-10002		<u>Generator</u> - Rebuilt - 6volt	54-55	Exchange 135.00 ea. Outright 235.00 ea.
B6A-10002	(M)	<u>Generator</u> - Rebuilt - 12 volt	56-64	Exchange 145.00 ea. Outright 245.00 ea.

GENERATOR TAGS

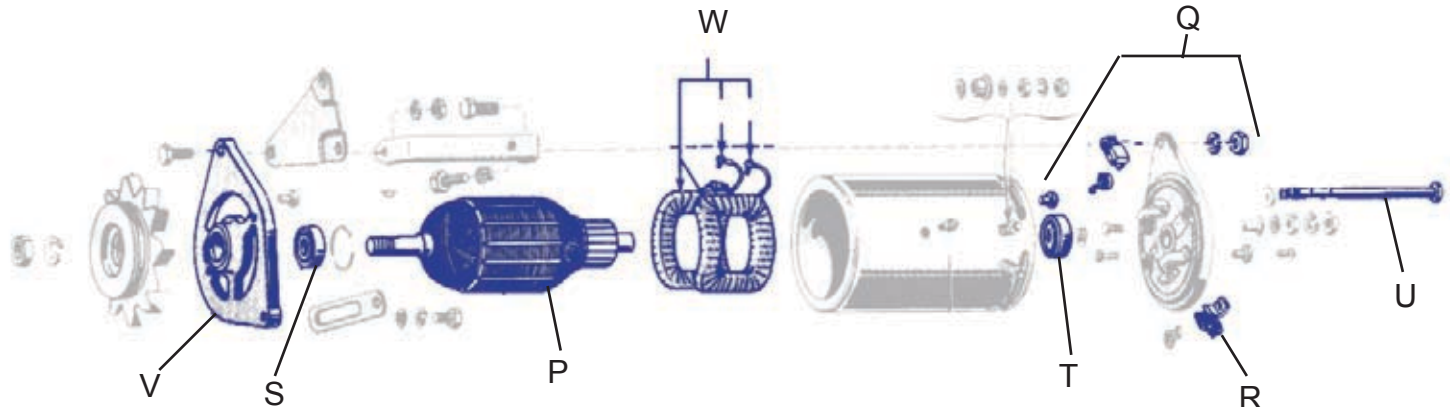
PART #	PIC	DESCRIPTION	YEAR	PRICE
CC-101	(N)	<u>Generator Metal Tag</u> - FAA-10001-C	48-53	6.50 ea.
CC-102	(O)	<u>Generator Metal Tag</u> - FAT-10000-A	54-55	6.50 ea.



GENERATOR PARTS

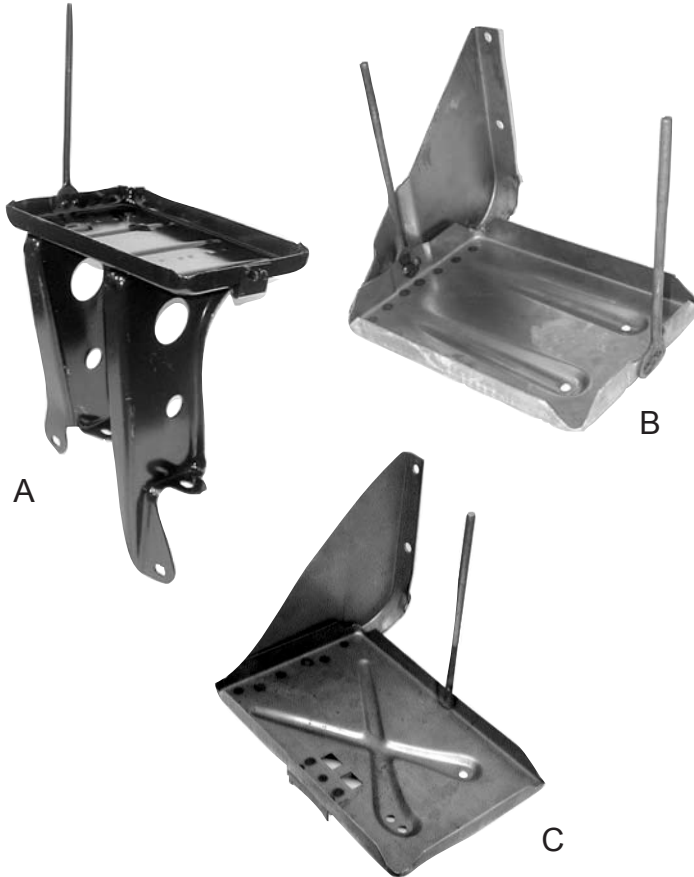
PART #	PIC	DESCRIPTION	YEAR	PRICE
C1TZ-10005-A	(P)	<u>Generator Armature</u> - 30 Amp.	56-64	25.00 ea.
C3AZ-10050-A	(Q)	<u>Generator Rear End Plate & Brush Assembly</u> - 30 Amp Generator - used w/ rear end plate using bearing	56-64	15.00 ea.
01A-10069		<u>Generator Brush Set</u> - V-8	40-56	5.00 set
C1AZ-10069-A	(R)	- .90"high x .93"wide x .29"thick	56-64	4.00 set
8BA-10094	(S)	<u>Generator Front Bearing - V-8</u>	40-64	9.00 ea.
B6A-10095-B	(T)	<u>Generator Bearing - Rear</u>	56-64	12.00 ea.
C3AZ-10120-A	(U)	<u>Generator or Starter Bolt</u> - 1/4" x 20 x 1" x 6 9/16"long	48-64	4.00 ea.
78-10128		<u>Generator Bushing - Rear</u>	38-55	2.00 ea.
B6A-10139-B	(V)	<u>Generator Front End Plate</u>	56-64	7.50 ea.
B6AZ-10175-D	(W)	<u>Generator Field Coil Assembly</u>	56-64	20.00 ea.
B6A-10002-MK		<u>Major Generator Repair Kit</u> - use with 30 amp. generator	56-64	45.00 ea.
Includes: (1) OF EACH (A) C1TZ-10005-A armature, (G) B6A-10095-B rear generator bearing, (E) C1AZ-10069-A brush set, (J pr.) B6AZ-10175-D generator field coil assembly (F) 8BA-10094 front generator bearing				
B6A-10002-K		<u>Generator Repair Kit</u> - use w/ 30 amp. generator	56-64	30.00 kit

Includes: (1) OF EACH
(A) C1TZ-10005-A armature,
(F) 8BA-10094 front generator bearing,
(E) C1AZ-10069-A brush set,
(G) B6A-10095-B Rear Generator Bearing



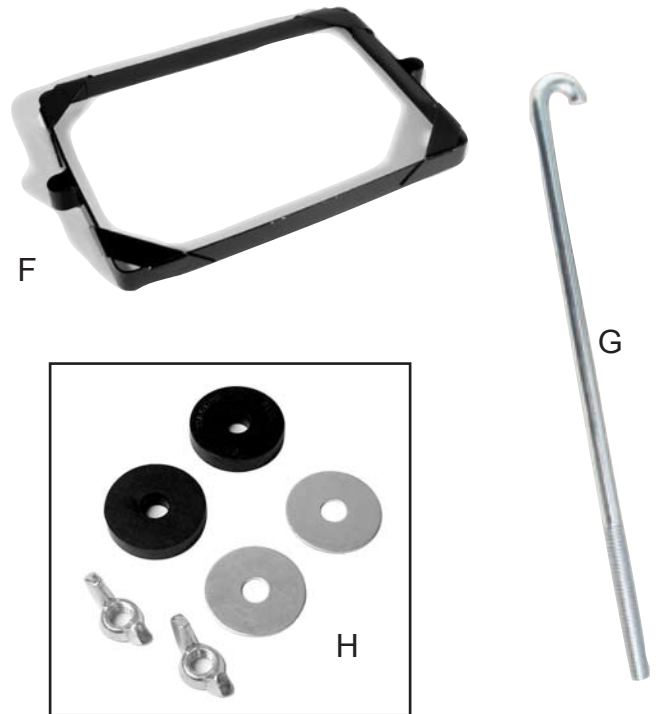
BATTERY TRAYS

PART #	PIC	DESCRIPTION	YEAR	PRICE
7RC-10732-C	(A)	<u>Battery Tray Assembly</u> - 6 cyl. 215 F1-6 - 8 cyl. 239 & 337 F1-8	48-52 48-52	100.00 ea.
TAAA-10732-A	(B)	<u>Battery Tray Assembly</u>	53	65.00 ea.
B4C-10732-D	(C)	<u>Battery Tray</u> - 11 3/4" x 7 1/4"	54-55	65.00 ea.
B6C-10732-A		<u>Battery Tray</u>	56	70.00 ea.



BATTERY TRAY RELATED PARTS

PART #	PIC	DESCRIPTION	YEAR	PRICE
B3C-5162-A		<u>Battery Splash Shield</u> - Rubber	53-56	2.00 ea.
51A-5165-A	(F)	<u>Battery Hold-Down Bracket</u> - 10 1/2" x 7 1/4" - Metal	42-52	10.00 ea.
11A-5175-E	(G)	<u>Battery Hold-Down Bolt</u>	48-52	3.50 ea.
11A-5179-S	(H)	<u>Battery Hold-Down Nut & Washer Kit</u>	48-52	3.50 kit
BAAA-8101645-B		<u>Battery Hold Cover Seal</u>	53-55	10.00 ea.
B6C-8101645-B		<u>Battery Hold Cover Seal</u>	56	10.00 ea.



VOLTAGE REDUCERS

PART #	PIC	DESCRIPTION	YEAR	PRICE
U-10800	(I)	<u>Voltage Reducer</u>		10.00 ea.
		- reduces voltage from 12 volts to 6 volts - May need more than one - designed for 1.5 OHMS resistance at 4 AMP Maximum load.		
R-10800	(J)	<u>Runtz Dash Gauge Voltage Reducer</u> - 12 volt to 6 volt - 1 per gauge - not needed for Gen/Amp gauge	48-55	20.00 ea.



BATTERY CABLES

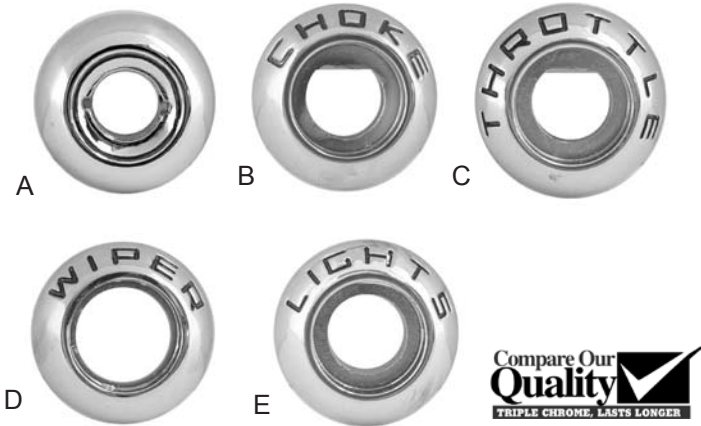
PART #	PIC	DESCRIPTION	YEAR	PRICE
8A-14300	(D)	Battery to Starter Relay Cable - 17 1/2"	48-52	16.00 ea.
8BA-14301	(E)	Battery to Motor Block Ground Cable	48-52	16.00 ea.



DASH BEZELS

PART #	PIC	DESCRIPTION	YEAR	PRICE
BAAA-10852-IG	(A)	- Ignition	53-56	8.00 ea.
BAAA-10852-C	(B)	- Choke	53-56	8.00 ea.
BAAA-10852-T	(C)	- Throttle	53-56	8.00 ea.
BAAA-10852-W	(D)	- Wiper	53-56	8.00 ea.
BAAA-10852-L	(E)	- Lights	53-56	8.00 ea.
BAAA-10852-KIT		Dash Bezel Kit Includes All above Bezels	53-56	37.50 ea.

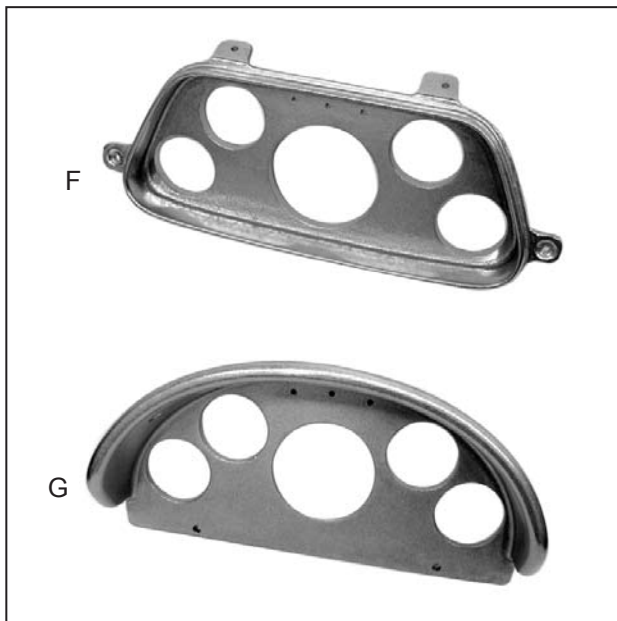
ALL BEZELS ARE PRESSURE DIE CAST TRIPLE CHROME PLATED



INSTRUMENT CLUSTER BEZEL

PART #	PIC	DESCRIPTION	YEAR	PRICE
NOT for Original Gauges				
B3C-10876	(F)	- Round Guages	53-55	100.00 ea.
B6C-10876	(G)	- Round Guages	56	100.00 ea.

Speedometer Hole - 3 1/8" dia.
Instrument Holes - 2 1/8" dia.



TEMPERATURE SENDER & RELATED PARTS

PART #	PIC	DESCRIPTION	YEAR	PRICE
<u>Temperature Sender for Motor Block</u>				
8A-10884	(H)	- Single Terminal - V-8 - 6 cyl.	40-55	50.00 ea.
8A-10990	(I)	- Double Terminal - V-8	40-53	50.00 ea.
B6C-10884		Temp. Sender Unit - 12 volt	56	60.00 ea
B4A-10911-A		Water Temp. Sender Adapter - Press in head - 8 cyl.	54-56	15.00 ea.



STARTER SOLENOIDS

PART #	PIC	DESCRIPTION	YEAR	PRICE
<u>Starter Solenoid - Ford Script</u>				
21A-11450-M		-Metal case w/o push button-6V	40-51	25.00 ea.
01A-11450	(J)	-Metal case w/ push button- 6V	40-51	25.00 ea.
FAB-11450-B	(K)	<u>Starter Solenoid</u> - 6 Volt - All Models -Bakelite	52-55	14.00 ea.
B6A-11450-A		<u>Starter Solenoid</u> - 12 Volt - All Models	56-72	14.00 ea.
B6AZ-11450-A		<u>Starter Solenoid</u> - 12 Volt - Genuine Ford w FOMOCO	56-79	25.00 ea.



STARTER PARTS

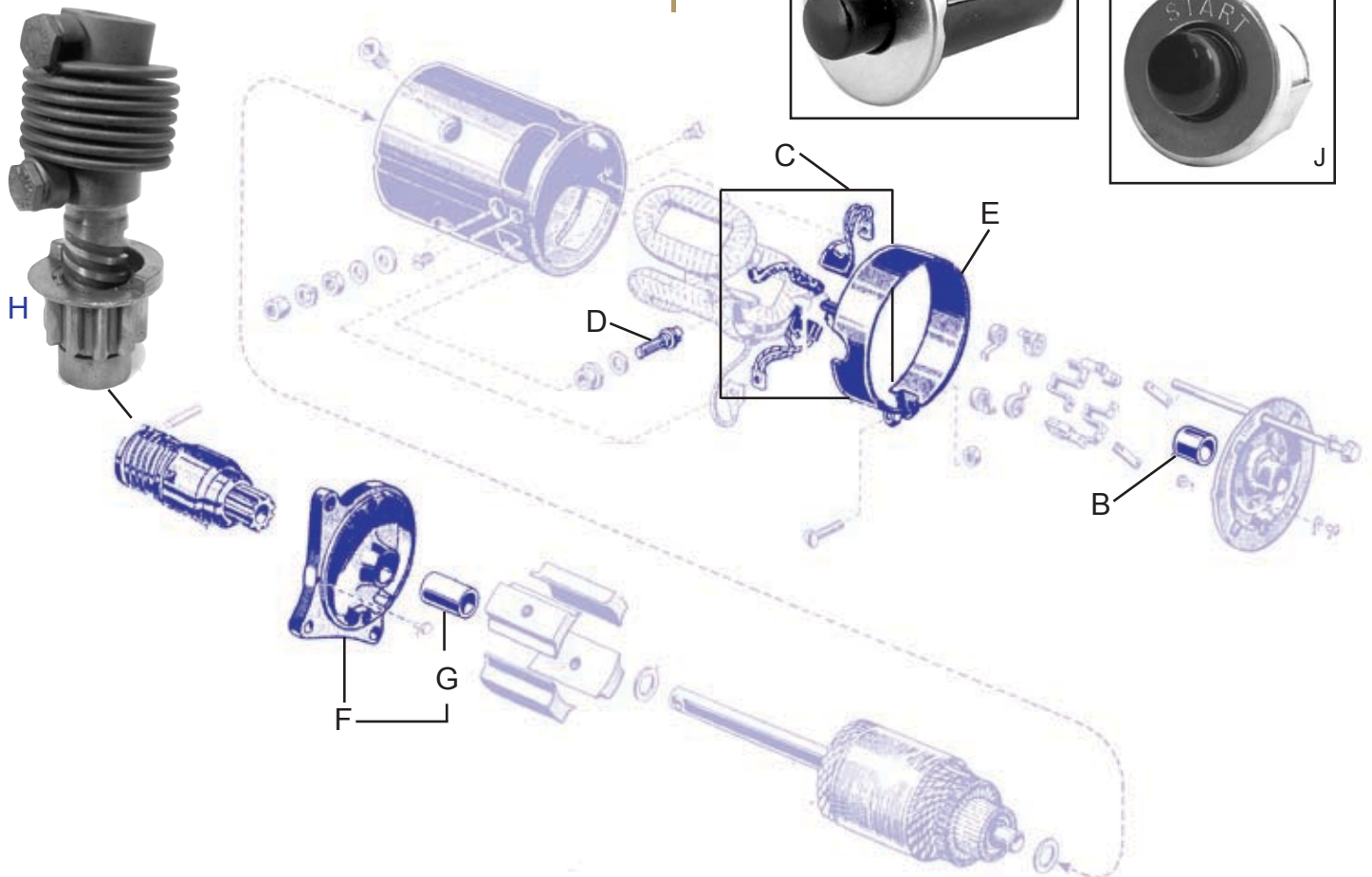
PART #	PIC	DESCRIPTION	YEAR	PRICE
CC-103		Starter Motor Metal Tag - FAG-11001-B	48-55	6.50 ea.
18-11052	(B)	Starter Bushing for End Plate	32-56	2.00 ea.
18-11057	(C)	Starter Brushes	32-56	6.50 set
A9AZ-11102-B	(D)	Starter Post Kit	49-64	5.00 ea.
B1TZ-11126-A	(E)	Starter Motor Cover Band	52-64	4.50 ea.
C2AZ-11130-A	(F)	Starter Drive End Plate & Bushings - 6 & 8 cyl. 223, 262, 239, 256, 272, 292	54-64	15.00 ea.
1CM-11135-A	(G)	Starter Rear End Plate Bushing - 5/8"ID x 13/16" OD x 1 5/32"L	54-64	2.00 ea.
B-11135		Rear End Plate Bushing	32-53	2.00 ea.
B-11350	(H)	Starter Drive - V-8 - Not for Automatic	32-53	40.00 ea.
B-11375		Starter Bendix Spring	32-53	7.50 ea.
29B-11350		Starter Bendix - F-7 or F-8 w/ 337 - 8 cylinder	48-51	50.00 ea.
C1AZ-11350-A		Starter Bendix - NEW	56-61	54.00 ea.
74175-S		Wooddruff Key for Starter Bendix		.75 ea.
51A-11140		Starter Support Bracket - Rear of starter to oil pan - V8 - 6 cyl.	39-53 41-53	5.00 ea.

STARTER ASSEMBLIES

PART #	PIC	DESCRIPTION	YEAR	PRICE
18-11002-N6V		Starter - New Replacement Type 6 Volt - V-8 w/Modern Style Starter Bendix	32-53	180.00 ea.
18-11002-N12V		Starter - New Replacement Type 12 Volt - V-8 w/Modern Style Starter Bendix	32-53	180.00 ea.
7RA-11002		Starter - Rebuilt - Less Drive - 6 volt	40-53	Exchange 150.00 ea. Outright 250.00 ea.
B5C-11002		Starter Assembly - Rebuilt - 6 volt	54-55	Exchange 135.00 ea. Outright 235.00 ea.
B6A-11002-R		Starter Assembly - Rebuilt - 12 volt	56-61	Exchange 135.00 ea. Outright 235.00 ea.

STARTER BUTTONS

PART #	PIC	DESCRIPTION	YEAR	PRICE
6A-11500		- Chrome	40-51	7.00 ea.
2C-11500	(A)	- Black Plastic Button	52-55	17.50 ea.
21C-11500	(J)	- Black Plastic Button	40-51	10.00 ea.



The monstrous truth about our **F100 ROCKER MOLDINGS!**

The truth is that Dennis Carpenter has brought the original Ford tooling back to life and is unleashing top quality reproduction rocker molding sets into the Ford restoration community!



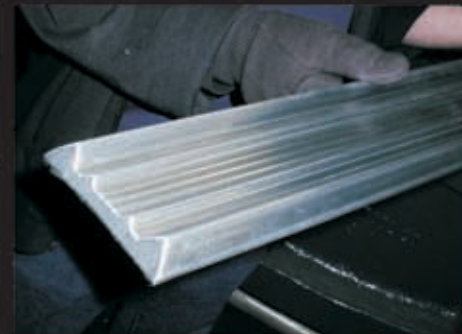
FORD Roll Forming Dies

Coiled aluminum stock is first pulled through a series of roller dies. This process is responsible for making the rocker molding stock which later will be cut into specific lengths to match lower fenders, rocker panels, and lower bed sides. The sinister picture at the top of this page shows the aluminum stock as it emerges from the roller mill and the contour of the 1973-1979 rocker molding is apparent.



FORD End Forming Dies

These stamping dies are used to form the tapered ends of the rocker moldings. This set up is known as a 5-stage operation where each unformed molding enters the process in the die on the left. Once the stamping has occurred the molding is moved to the next die to the right and a new unformed molding is placed in the first die. The press comes down again stamping another detail into the molding end. Each molding gets stamped 5 times to bend the aluminum into the final shape.

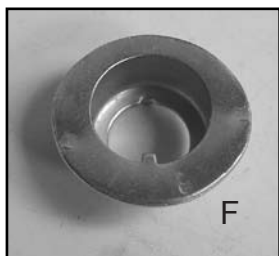
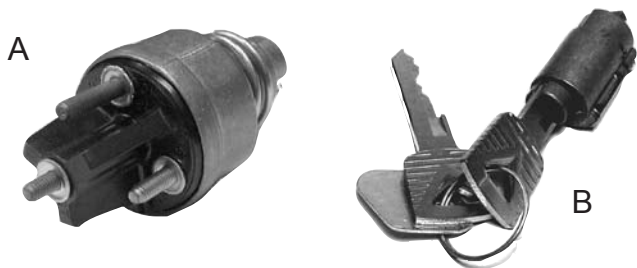


The "END" Results

This is what the end of the left bed side rocker molding looks like after going through the 5-stage stamping process. Every piece of molding goes through a similar process to have the ends formed. A completely different set of dies are used to do the same operation for all of the right side rocker moldings. After all of the forming operations have been performed the moldings are then sent out to have a bright anodized finish applied.

IGNITION SWITCH

PART #	PIC	DESCRIPTION	YEAR	PRICE
B5A-11572-A	(A)	Ignition Switch Housing Only	56-60	16.00 ea.
BA-11582-A	(B)	Ignition Cylinder Assembly & (2) Keys	53-60	10.00 ea.
BAAA-7022050-S	(C)	Matched Door & Ignition Cylinder & Key Set Includes: (1) Ign Cyl, (2) Door Lock Cyl. & (2) keys	53-60	50.00 set
1A-3685-A	(D)	Ignition Key Blank - Exactly as Original	48-52	4.00 ea.
BA-3685-A	(E)	Ignition Key Blank - Exactly as Original	53-64	2.50 ea.
B7C-11597-A	(F)	Ignition Switch to Dash Spacer or Mounting Plate	56-60	10.00 ea.



HEADLIGHT CROSSOVER WIRE

PART #	PIC	DESCRIPTION	YEAR	PRICE
7HC-11653		Headlight Crossover Wire	48-50	20.00 ea.
1C-11653-A		Headlight Crossover Wire	51-52	20.00 ea.
B6C-11653-A		Headlight Crossover Wire	56	26.00 ea.
B4TZ-13A006-A		Headlight Crossover Wire - w/ Turn Signal & Horn Wire - 6 & 8 cyl.	53-55	26.00 ea.

HEADLIGHT SWITCH

PART #	PIC	DESCRIPTION	YEAR	PRICE
<u>Headlight Switch</u>				
11A-11652	(G)	- 6 volt - no knob	48-50	40.00 ea.
FAA-11654-A	(H)	- 6 volt - no knob	51-54	45.00 ea.
B5T-11654-A		- 6 volt - no knob	55	57.50 ea.
B6T-11654-A		- 12 volt - no knob	56-57	45.00 ea.
<u>Light Switch to Instrument Panel Nut</u>				
FAB-11662-A		53-54	5.50 ea.
C2TZ-11650-A	(I)	55-62	5.50 ea.

NOTE: Headlight switches do not have knobs.



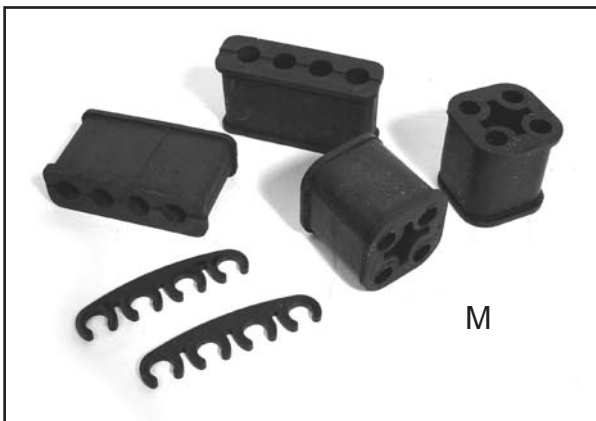
BRAKE LIGHT & HEADLIGHT DIMMER SWITCH

PART #	PIC	DESCRIPTION	YEAR	PRICE
01A-13480	(J)	Brake Light Switch	40-66	5.00 ea.
8A-13532	(K)	Headlight Dimmer Switch	48-56	15.00 ea.
C5ZZ-13533	(L)	Headlight Dimmer Switch Rubber Cover		4.00 ea.



SPARK PLUG WIRES

PART #	PIC	DESCRIPTION	YEAR	PRICE
7HA-12259		<u>Spark Plug Wires</u> - Original - 6 cylinder	47-51	40.00 set
1A-12259		<u>Spark Plug Wires Set</u> - w/ Weatherproof Ends - FOMOCO Script	48-53	65.00 set
B5A-12259		<u>Spark Plug Wires Set</u> - w/ Ford Script - Weatherproof Ends - V-8 - 239, 272, 292, 312	54-64	70.00 set
8BA-12259-S		<u>Spark Plug Wires</u> - V8 - Original - Metal ends exposed - 90 degree ends	48-53	45.00 set
D1AZ-12259-F		<u>Spark Plug Wires</u> - Motorcraft - V-8 - 272, 292, 312, 239 - graphite core	54-64	38.00 set
FAA-12297-K	(M)	<u>Spark Plug Wire</u> <u>Mounting Grommets</u> - Rubber - Set of (4) pieces - 239, 272, 292, 312	54-64	20.00 kit
FAA-12111-2K		<u>Spark Plug Wire</u> <u>Mounting Bracket Kit</u> - 239, 272, 292, 312	54-64	25.00 kit



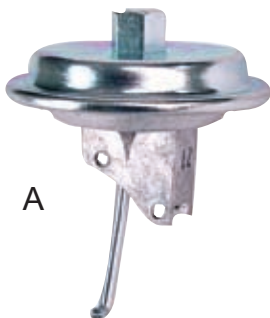
SPARK PLUGS - 6 & 8 CYLINDERS

PART #	PIC	DESCRIPTION	YEAR	PRICE
7RA-12405-H10	(N)	- Champion H10C	40-54	3.50 ea.
B5C-12405-A		- 18 MM Champion RF11YC	55-60	3.50 ea.
B7A-12405-A	(O)	- Motorcraft BTF6	55-64	1.00 ea.



DISTRIBUTOR VACUUM ADVANCE

PART #	PIC	DESCRIPTION	YEAR	PRICE
7RA-12370-B	(A)	Distributor Vacuum Advance - 6 cylinder - 8 cylinder	47-60 48-53	30.00 ea.
FAB-12370-A		Distributor Vacuum Advance - 8 cyl. 239 & 272 - w/ 2 barrel carburetor 1954-56 - B-C-F100/900 - F100/600 8 cyl. 279, 317, 302, 332 with 2 barrel carb	52-56	62.00 ea.



A

IGNITION COILS

PART #	PIC	DESCRIPTION	YEAR	PRICE
Ignition Coils fit all EXCEPT transistorized ignition systems				
8BA-12029	(B)	Coil - C-809 - 6 volts	48-55	25.00 ea.
B6A-12029	(C)	Coil - C-819 - 12 volts	56-72	22.00 ea.
B6AZ-12029	(D)	Coil w/ Mustard Colored Top - 12 volt - as original	56-74	35.00 ea.



B



C



D

DISTRIBUTOR TAG

PART #	PIC	DESCRIPTION	YEAR	PRICE
Distributor Tag				
CC-105	(E)	- for Aluminum Distributor	49-53	6.50 ea.
CC-106	(F)	- for Cast Distributor	48-53	6.50 ea.



E



F

SOLID STATE ELECTRIC IGNITION SYSTEM

PART #	PIC	DESCRIPTION	YEAR	PRICE
B4A-12000-1282		12V Solid State Electronic Ignition System - for V-8 272 & 292	54-56	85.00 ea.



IGNITION TUNE-UP KIT

PART #	DESCRIPTION	YEAR	PRICE
A7A-12000-B	Ignition Tune-Up Kit - Includes: Points, Condenser, Rotor 8 cylinder 6 cylinder	48-53 48-64	10.00 kit

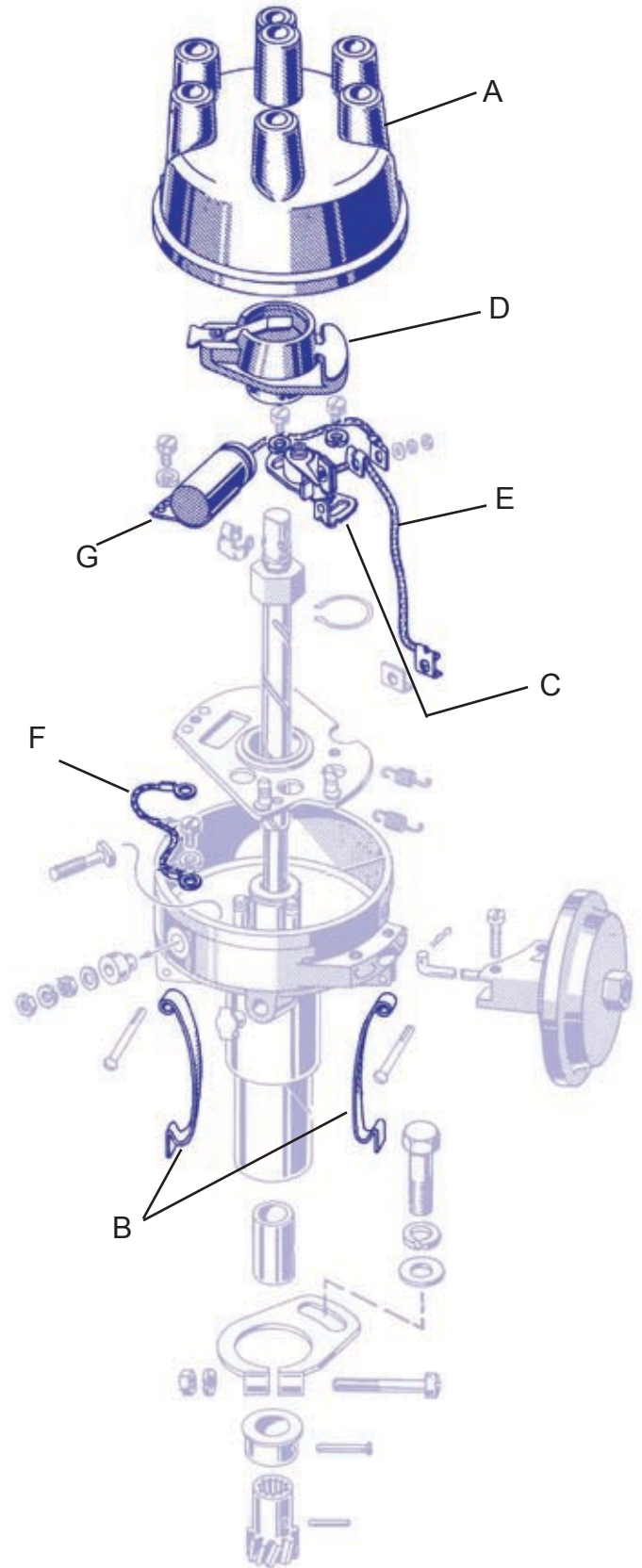


IGNITION PARTS

PART #	PIC	DESCRIPTION	YEAR	PRICE
		<u>Distributor Cap</u>		
7HA-12106	(A)	- 6 cylinder	48-60	10.00 ea.
FAB-12106-A		- 8 cylinder	48-56	15.00 ea.
7RA-12144	(B)	<u>Distributor to Cap Hold Down Clamp</u>	48-56	4.00 ea.
		- 6 & 8 cylinder		
		- 2 per distributor		
		<u>Points</u>		
FAA-12171-A	(C)	- 6 cylinder	48-63	4.00 ea.
FAA-12171-A		- Heavy Duty - 8 cylinder	48-53	4.00 ea.
FAB-12171-A		- Light Duty - 8 cylinder	54-56	8.00 ea.
		<u>Rotor</u>		
FAA-12200-B	(D)	- 6 cylinder	46-60	3.00 ea.
FAA-12200-B		- 8 cylinder	46-56	3.00 ea.
CODF-12216-A	(E)	<u>Distributor Primary Lead</u>	48-60	13.00 ea.
		- 6 & 8 cylinder		
B6A-12250-C		<u>Ignition Coil Resistor</u>	56-57	14.00 ea.
		- 6 & 8 cylinder -12 Volt		
7RA-12264	(F)	<u>Distributor Ground Lead</u>		2.00 ea.
		- 6 cylinder	48-64	
		- 8 cylinder	48-56	
7RA-12300-C	(G)	<u>Condenser - Autolite</u>		9.00 ea.
		- 6 cylinder	48-56	
		- 8 cylinder	48-53	
FAB-12300-A	(G)	<u>Condenser - Replacement</u>		6.00 ea.
		- 6 cylinder	48-64	
		- 8 cylinder	48-56	
FAB-12390-C		<u>Distributor Driven Gear</u>	52-55	10.00 ea.
		- F-700 - 800		
		- 8 cyl. 279, 317		
FAE-12390-A		<u>Distributor Drive Gear</u>	54-56	15.00 ea.
		- 14 teeth - V8's Only		

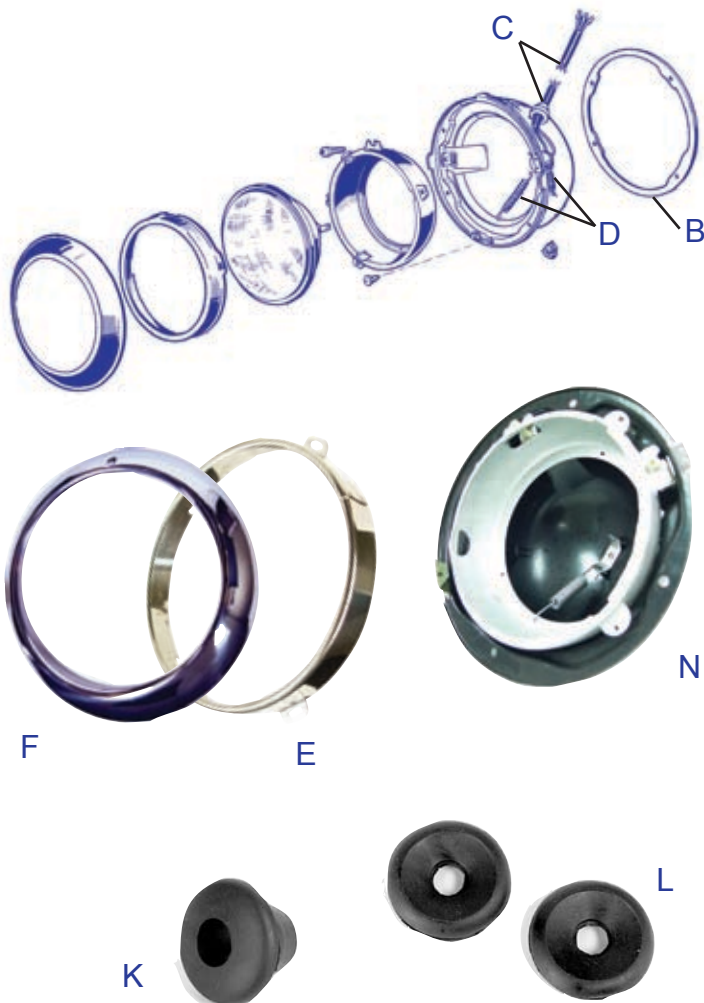
REBUILT DISTRIBUTORS

PART #	PIC	DESCRIPTION	YEAR	PRICE
7RA-12127-R	(H)	<u>Rebuilt Distributor Assembly - V-8</u>	48-53	outright 200.00 ea. exchange 100.00 ea.
		- Cast Iron housing		
		- Complete with points, condenser & vacuum advance		
8BA-12127-R	(I)	<u>Rebuilt Distributor Assembly - V-8</u>	48-53	outright 200.00 ea. exchange 100.00 ea.
		- Aluminum housing		
		- Complete w/ points, condenser & vacuum advance		



HEADLIGHT PARTS

PART #	PIC	DESCRIPTION	YEAR	PRICE
1C-13008-A	(N)	<u>Headlight Bucket & Spring</u> - Does not include wiring, seal beam, or outer rim.	48-55	75.00 ea.
01A-13018-C		<u>Headlight Bulb Retainer Ring</u> - Stainless - Replacement	40-66	10.00 ea.
01A-13018-SS	(E)	- Stainless Steel	40-56	15.00 ea.
11A-13044	(B)	<u>Headlight Bucket to Fender Gasket</u>	42-56	3.50 ea.
FAD-13045	(F)	<u>Headlight Door</u> - Stainless Steel	48-55	20.00 ea.
B6C-13045		- Stainless Steel	56	30.00 ea.
0A-13076	(C)	<u>Headlight Bucket Wiring</u> - w/ Rubber Cover - Like Orig.	48-55	20.00 ea.
11A-13076		- Reproduction	42-55	20.00 ea.
52388-SSHL		<u>Headlight Door Screws</u>	51-56	1.00 pr.
51A-13077	(K)	<u>Headlight Bucket Wiring Grommet</u>	46-56	2.00 ea.
8C-13078-C	(L)	<u>Headlight Wire Grommet</u> - on Left Side of Radiator	48-52	3.00 ea.
11A-13031	(D)	<u>Headlight Bucket Spring</u> - (2) per headlight)	48-56	1.50 ea.



PARKING LIGHT ASSEMBLIES - COMPLETE

PART #	PIC	DESCRIPTION	YEAR	PRICE
All Park Lights come with Turn Signals except 7RC-13200				
7RC-13200		- Stainless Door	48-50	35.00 ea.
1C-13200-A		- Painted Door	51-52	35.00 ea.
1C-13200-SS		- Stainless Door	51-52	40.00 ea.
FAD-13200-A		- Painted Door	53-54	35.00 ea.
FAD-13200-SS	(G)	- Stainless Door	53-54	40.00 ea.
B5C-13200-A		- Painted Door	1955	35.00 ea.
B5C-13200-SS		- Stainless Door	1955	40.00 ea.
B6C-13200-A	(H)	- Painted Door	1956	35.00 ea.
B6C-13200-SS		- Stainless Door	1956	40.00 ea.



PARKING LIGHT WIRING REPAIR KIT

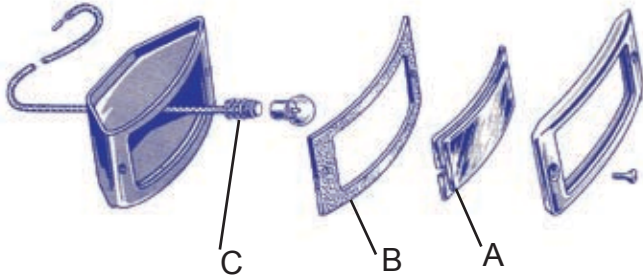
PART #	PIC	DESCRIPTION	YEAR	PRICE
7C-13410	(I)	Park Light Wiring Repair Kit Includes: (2) wires, (2) retainer, (1) spring	48-56	2.50 ea.
7C-13410-A		Parking Light Wiring Repair Kit Includes: (1) wire & (2) retainers For use without Turn Signals	48-55	3.00 ea.
BAAA-13410	(J)	Taillight or Parklight Socket & Wiring For double contacts, metal replacement		5.00 ea.



PARKING LIGHT

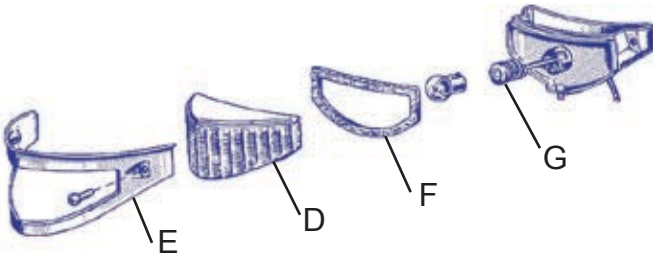
PARKING LIGHT - 1948-50

PART #	PIC	DESCRIPTION	YEAR	PRICE
7RC-13208	(A)	Park Light Lens - Clear Plastic	48-50	6.50 ea.
7RC-13208-AMB	(A)	Park Light Lens - Amber Plastic	48-50	7.50 ea.
7RC-13211	(B)	Park Light Lens Gasket	48-50	4.00 pr.
7RC-13234	(C)	Park Light Wire & Socket - Single Contact	48-50	10.00 ea.



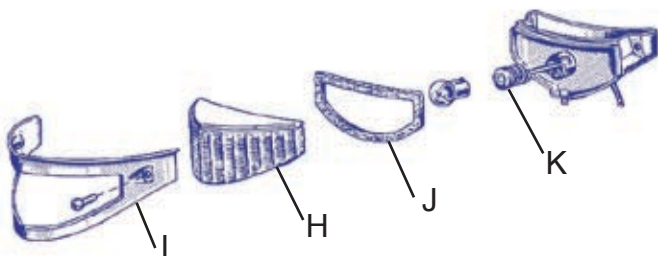
PARKING LIGHT - 1951-52

PART #	PIC	DESCRIPTION	YEAR	PRICE
	(D)	<u>Park Light Lens w/ Gasket</u>		
1C-13208		- Clear Plastic	51-52	9.00 ea.
1C-13208-AMB		- Amber Plastic	51-52	10.00 ea.
1C-13210-SS	(E)	<u>Park Light Door</u> - Stainless	51-52	15.00 ea.
1C-13211	(F)	<u>Park Light Lens Gasket</u>	51-52	4.00 pr.
1C-13234-A	(G)	<u>Park Light Wire & Socket</u> - Single contact	51-52	12.00 ea.



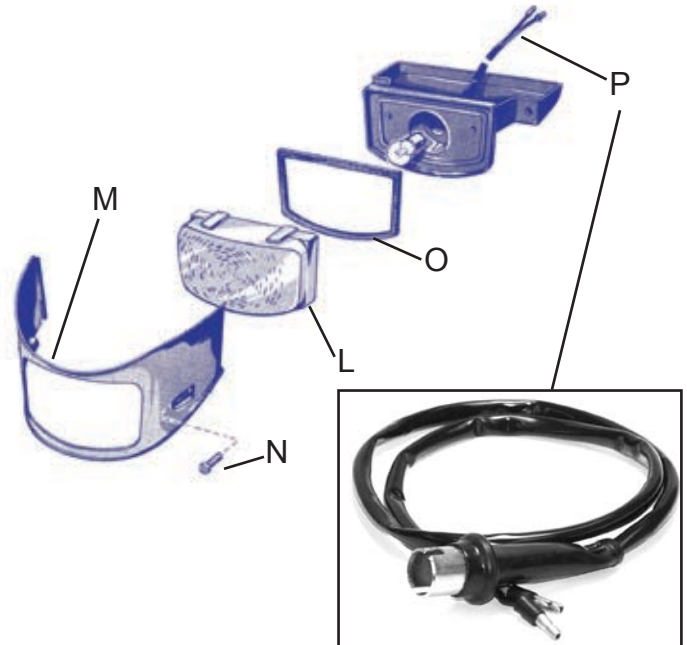
PARKING LIGHT - 1953-54

PART #	PIC	DESCRIPTION	YEAR	PRICE
FAE-13208-A	(H)	Park Light Lens - Plastic	53-54	10.00 ea.
FAE-13210-SS	(I)	Park Light Door - Stainless Steel	53-54	15.00 ea.
357456-S		Park Light Door Screw	53-56	1.00 pr.
FAE-13211-A	(J)	Park Light Lens Gasket	53-54	4.00 pr.
B6A-13234-A	(K)	Park Light wire and socket and tail light wire & socket - 2 terminal - 12V	53-60	15.00 ea.



PARKING LIGHT - 1955-56

PART #	PIC	DESCRIPTION	YEAR	PRICE
B5C-13208-B	(L)	Park Light Lens - Plastic	55-56	10.00 ea.
B5C-13210-A	(M)	Park Light Door - Painted	55	12.50 ea.
B5C-13210-SS	(M)	Park Light Door - Stainless	55	18.50 ea.
B6C-13210-A	(M)	Park Light Door - Painted	56	12.50 ea.
B6C-13210-SS	(M)	Park Light Door - Stainless Steel	56	18.50 ea.
357456-S	(N)	Park Light Door Screw	53-56	1.00 pr.
B5C-13211	(O)	Park Light Lens Gasket	55-56	4.00 pr.
B6A-13234-A	(P)	Park Light wire and socket & tail light wire & socket - 2 terminal - 12V	53-60	15.00 ea.



TURN SIGNAL PARTS

PART #	PIC	DESCRIPTION	YEAR	PRICE
B6C-13341-A		Turn Signal Switch	56-60	70.00 ea.
A9AZ-13350		Turn Signal Flasher - 3 prong - 6 volt	48-52	7.00 ea.
FAA-13318-A		Turn Signal Switch Canceling Cam	53-60	14.00 ea.
1A-13305	(Q)	Turn Signal Lever Knob - Black	53-56	5.50 ea.
01C-13583	(R)	<u>Jewel Turn Indicator Light</u> - on Dash	48-52	10.00 ea.



Q



R

TAILLIGHT ASSEMBLIES WITH GLASS LENS

PART #	PIC	DESCRIPTION	YEAR	PRICE
40-13402		- RH - Painted Black	40-52	25.00 ea.
40-13403		- LH - Painted Black	40-52	25.00 ea.
01C-13402	(A)	- RH - Stainless Steel	40-52	25.00 ea.
01C-13403		- LH - Stainless Steel	40-52	25.00 ea.
40-13448		Taillight Rim - Stainless	40-52	6.00 ea.



**High Grade
Polished
Stainless Steel**

Will not rust, Lasts Forever



A

TAILLIGHT ASSEMBLIES WITH PLASTIC LENS

PART #	PIC	DESCRIPTION	YEAR	PRICE
C3TZ-13404-F		- RH - Plastic Lens	53-54	25.00 ea.
C3TZ-13405-H	(B)	- LH - Plastic Lens	53-54	25.00 ea.



B

TAILLIGHT ASSEMBLIES - REPLACEMENT

PART #	PIC	DESCRIPTION	YEAR	PRICE
		<u>Taillight Assembly</u>		
B7C-13404-LR	(C)	- LH - w/ backup light	55-56	45.00 ea.
B7C-13405-RR		- RH - w/ backup light	55-56	45.00 ea.
C7TZ-13450-C	(D)	<u>Taillight Lens for B7C Taillights</u> - w/ Back-Up Light	55-56	10.00 ea.



C



D

TAILLIGHTS - REPLACEMENTS w/ Bulb

PART #	PIC	DESCRIPTION	YEAR	PRICE
B6C-13404-RT	(E)	- RH - Painted	55-56	25.00 ea.
B6C-13405-LR		- LH - Painted	55-56	25.00 ea.
B6C-13404-SS	(F)	- RH - Stainless Steel	55-56	35.00 ea.
B6C-13405-SS		- LH - Stainless Steel	55-56	35.00 ea.



E



F

TAILLIGHT WIRING

PART #	PIC	DESCRIPTION	YEAR	PRICE
B6A-13234-A	(G)	Taillight Wire & Socket - 2 terminal - 12V	53-60	15.00 ea.
B6C-13410-A	(H)	Taillight Pigtail - Genuine Ford - Step Side - Exact of Original	53-72	15.00 ea.
7C-13410		Taillight Wiring Repair Kit Includes: (2) wires (2) retainers (1) spring - use only when you have a socket for turn signals	48-56	2.50 ea.
BAAA-13410		Taillight Wire & Socket - For double contacts - Metal Replacement		5.00 ea.



G



H

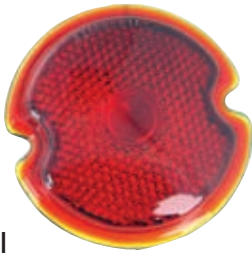
Socket Wiring made exactly like the original. Note the sealed socket and original correct ends.
Fits Ford Trucks from 1953-60.

TAILLIGHT WIRING CONDUIT

PART #	PIC	DESCRIPTION	YEAR	PRICE
B-13578		Taillight Wiring Conduit - Universal - Stainless Steel - Covers wire from taillight to bed - 24" long	All	10.00 pr.

TAILLIGHT LENS - PLAIN

PART #	PIC	DESCRIPTION	YEAR	PRICE
40-13450	(I)	Taillight Lens - Glass	40-52	6.00 ea.
B3C-13450-P		Taillight Lens - Plastic Round	53-54	5.00 ea.
B3C-13450-FS	(J)	Taillight Lens - Chrome Plated - Ford Script	53-54	9.00 ea.
B5C-13450-FS	(K)	Taillight Lens - Chrome Plated - Ford Script	55-56	12.00 ea.
B5C-13450-BL	(L)	Taillight Lens - Plastic - "FORD" Molded into lens - Silver Foil Overlay Letters	55-56	15.00 ea.



I



J



K



L

Made in USA

TAILLIGHT LENS - FoMoCo Script

PART #	PIC	DESCRIPTION	YEAR	PRICE
B9C-13450-A	(M)	Taillight Lens - Round Type - Plastic - With FoMoCo Script	53-56	5.00 ea.
B5C-13450-A	(N)	Taillight Lens - Shield Type - Plastic - With FoMoCo Script	55-56	8.00 ea.



M



N

Compare Our Quality HIGH GRADE PLASTIC WILL NOT FADE

TAILLIGHT LENS W/ BLUE DOT

PART #	PIC	DESCRIPTION	YEAR	PRICE
40-13450-BD	(O)	- Plain with Blue Dot Installed	40-52	14.00 ea.
B3C-13450-PBD		- Plain with Blue Dot Installed	53-54	13.50 ea.
B5C-13450-PBD	(P)	- Plain with Blue Dot Installed	55-56	20.00 ea.



O



P

TAILLIGHT LENS (FORD SCRIPT) W/ BLUE DOT

PART #	PIC	DESCRIPTION	YEAR	PRICE
B3C-13450-SBD		Taillight Lens - Chrome Plated - Ford Script	53-54	22.00 ea.
B5C-13450-SBD	(Q)	Taillight Lens - Chrome Plated - Ford Script	55-56	25.00 ea.
B5C-13450-FBD	(R)	Taillight Lens - "Ford" Molded into lens - Plastic	55-56	22.00 ea.



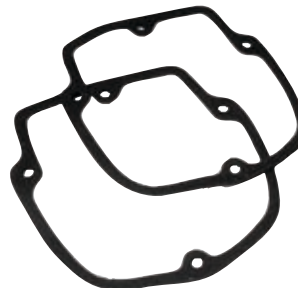
Q



R

TAILLIGHT LENS GASKETS

PART #	PIC	DESCRIPTION	YEAR	PRICE
B5C-13461	(S)	Taillight Lens to Housing Gasket	55-56	5.00 pr.
40-13460-PR	(T)	Inner Lens Gasket & Outer Lens Gasket	40-52	4.00 pr.



S



T



**Compare Our
Quality** 
MADE RIGHT, FITS RIGHT



Making Quality Ford Restoration Parts since 1970



TAILLIGHT BRACKETS

PART #	PIC	DESCRIPTION	YEAR	PRICE
7C-13470		- RH - painted black	48-52	10.00 ea.
7C-13471		- LH - painted black	48-52	10.00 ea.
7C-13470-CH	(A)	- RH - Chrome	48-52	15.00 ea.
7C-13471-CH		- LH - Chrome	48-52	15.00 ea.
BAAA-13470		- RH or LH - not painted	53-56	7.50 ea.
BAAA-13470-SS		- RH or LH - Stainless Steel	53-56	12.50 ea.
BAAA-13470-SSP	(B)	- RH or LH - Polished Stainless	53-56	17.50 ea.



A



B

TAILLIGHT LENS SCRIPT

PART #	PIC	DESCRIPTION	YEAR	PRICE
91A-16606		Ford Script - Chrome Plated - w/ installation Clips	55-56	10.00 ea.



BLUE DOT W/ CHROME RETAINER

PART #	PIC	DESCRIPTION	YEAR	PRICE
BD-13450-S		Blue Dot Glass with chrome retainer to install in old lens	ALL	6.50 ea.



LICENSE PLATE

48-56 Ford Truck

Quality Ford Restoration Parts

LICENSE PLATE BOLTS

PART #	COLOR	PRICE
MANUFACTURED IN THE USA!		
LP-2A	Amber	6.00 ea.
LP-2B	Blue	6.00 ea.
LP-2G	Green	6.00 ea.
LP-2R	Red	6.00 ea.

Our License Plate Bolt come in a variety of colors and are made with a Glass Reflector



DOMELIGHT

PART #	PIC	DESCRIPTION	YEAR	PRICE
8M-13713	(E)	<u>Dome Light Switch</u> - on Door Post	51-56	6.00 ea.
40-13730-81		<u>Dome Light Bulb</u> - 6 volt	51-55	1.50 ea.
B6A-13730-1003		- 12 volt	56	1.50 ea.
BAAA-13752	(F)	<u>Dome Light Switch</u>	53-56	14.50 ea.
1C-13876		<u>Dome Light Lens Gasket</u>	51-52	1.00 ea.
8M-13783	(G)	<u>Dome Light Lens</u>	53-56	6.00 ea.
FAA-13786	(H)	<u>Dome Light Body & Lens</u> - w/o Switch or Socket	53-56	40.00 ea.
BA-13560	(I)	<u>Dome Light Socket & Wire</u>	53-56	5.00 ea.

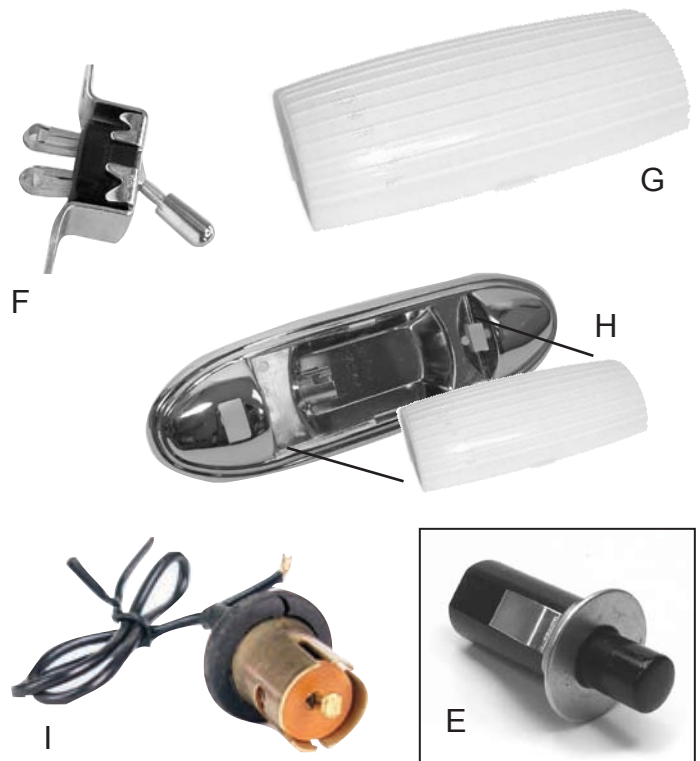
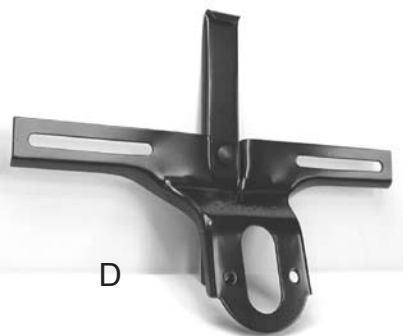
TAILLIGHT LICENSE PLATE LIGHT PARTS

PART #	PIC	DESCRIPTION	YEAR	PRICE
40-13447	(A)	License Plate Light Lens Gasket	40-54	1.00 ea.
B5C-13447	(B)	License Plate Light Lens Gasket	55-56	2.50 ea.
B5C-13564-B	(C)	License Plate Light Lens for Shield Type Taillight	55-56	4.00 ea.



LICENSE PLATE BRACKETS

PART #	PIC	DESCRIPTION	YEAR	PRICE
B-13406-A	(D)	- Rear - Painted Black	48-Up	10.00 ea.
B-13406-SS		- Rear - Polished Stainless	48-Up	15.00 ea.



PATENET DATA PLATE

PART #	PIC	DESCRIPTION	YEAR	PRICE
7C-14001		Patent Data Plate for Firewall with Installation Drive Screws	48-52	6.00 ea.



HEADLIGHT WIRING

PART #	PIC	DESCRIPTION	YEAR	PRICE
7HC-11653		<u>Headlight Crossover Wire</u> - w/o Turn Signals & Horn	48-50	20.00 ea.
1C-11653-A		- w/o Turn Signals & Horn	51-52	20.00 ea.
B4TZ-13A006-A		- w/ Turn Signals & Horn	53-55	26.00 ea.
B6C-11653-A		- PVC wire	56	26.00 ea.
0A-13076		<u>Headlight Bucket Wires</u> - Rubber Covered	48-55	20.00 ea.
51A-13077		<u>Headlight Bucket Wire</u> <u>Grommet</u>	48-56	2.00 ea.
8C-13078-C		<u>Headlight Wire Grommet</u> - on Left Side of Radiator	48-52	3.00 ea.

PARK LIGHT WIRING

PART #	PIC	DESCRIPTION	YEAR	PRICE
Single Contact = w/o turn signals				
Double Contacts = w/ turn signal				
7RC-13234		<u>Park Light Wire & Socket</u> - Single contact	48-50	10.00 ea.
1C-13234-A		- Single contact	51-52	12.00 ea.
B6A-13234-A	(A)	<u>Park Light / Taillight</u> <u>Wire & Socket</u> - Double contacts - 12V	53-60	15.00 ea.
7C-13410		<u>Park Light Wire Repair Kit</u> - Includes (2) wires, (2) retainers, (1) spring	48-56	2.50 ea.
7C-13410-A	(B)	<u>Park Light Wire Repair Kit</u> - Includes (1) wire, (2) retainers, (1) spring	48-56	3.00 ea.



DASH WIRING HARNESS W/ DIAGRAM

PART #	PIC	DESCRIPTION	YEAR	PRICE
8HC-14401		- 6cyl. - ignition switch is left of light switch	49-50	230.00 ea.
8HC-14401-C		- 6 cyl. - ignition switch is right of light switch	48-50	220.00 ea.
1HC-14401		- 6 cyl.	51	280.00 ea.
2QC-14401-A		- 6 cyl.	52	245.00 ea.
FAL-14401-A		- 6 cyl.	53	220.00 ea.
B5C-14401-E		- 6 cyl. PVC wire	55	340.00 ea.
B6C-14401-G		- 6 cyl. PVC wire	56	370.00 ea.
8RC-14401		- 8 cyl	48-50	240.00 ea.
1RC-14401		- 8 cyl	51	240.00 ea.
2RC-14401		- 8 cyl	52	240.00 ea.
FAK-14401-A		- 8 cyl	53	230.00 ea.
FDE-14401-AB		- 8 cyl	54	230.00 ea.
B5C-14401-F		- 8 cyl. - PVC wire	55	320.00 ea.
B6C-14401		- 8 cyl. - PVC wire	56	220.00 ea.

TAILLIGHT WIRING

PART #	PIC	DESCRIPTION	YEAR	PRICE
40-13410		Taillight Wire Repair Kit	48-52	6.00 ea.
01C-13410		Taillight Wire & Socket	48-52	8.00 ea.
B6C-13410-A		Taillight Pigtail - Genuine Ford - Stepside	56-Up	15.00 ea.
8C-14405		Taillight Wiring Dash to left hand Taillight - F-1	48-52	50.00 ea.
7RD-14405		Taillight Wiring Dash to left hand Taillight - F-2	48-52	60.00 ea.
7RC-14424		Taillight Crossover Wire - 43" - F-1	48-52	18.00 ea.
B5C-14405		Taillight Wiring with Turn Signal - F - 100	53-55	60.00 ea.
B6C-14405		Taillight Wiring with Turn Signal - F-100 - PVC wire	56	42.00 ea.
B5C-14424-A		Taillight Crossover Wire 45"	53-55	16.00 ea.

JUNCTION BOX FOR WIRING

PART #	PIC	DESCRIPTION	YEAR	PRICE
*FDT-14448-A		Double stack under hood	49-59	20.00 ea.
*FDT-14448-B		Single Stack	49-59	14.00 ea.
*FDT-14448-C		Double Stack	49-59	18.00 ea.

DOMELIGHT WIRING

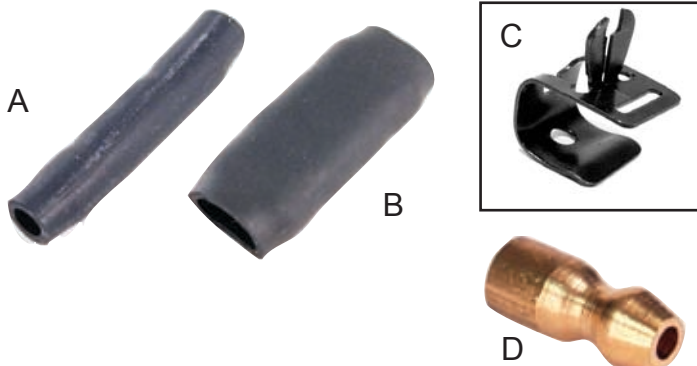
PART #	PIC	DESCRIPTION	YEAR	PRICE
FAC-13796-B		Dome Light Socket Wire	53-55	4.00 ea.
1C-14318-A		Dome Light Feed Wire - 100"	51-52	30.00 ea.
B5C-14318		Dome Light Feed Wire	53-55	26.00 ea.
B6C-14318		Dome Light Feed Wire - PVC wire	56	40.00 ea.

HORN WIRING

PART #	PIC	DESCRIPTION	YEAR	PRICE
FAB-14308-A		Horn Contact Wire in Steering Column - Doesn't have end for horn button	48-56	12.00 ea.
68-14436-A		Horn Wire Out of Horn	48-50	8.00 ea.
1C-14440-A		Horn Relay to Horn Wire - 41"	51-52	12.00 ea.
FAF-14440-A		Horn Relay to Horn Wire	53-54	15.00 ea.
B5C-14440		Horn Relay to Horn Wire	55	14.00 ea.
7RC-14479		Horn Button Index Spring	48-60	2.00 ea.

MISCELLANEOUS WIRING

PART #	PIC	DESCRIPTION	YEAR	PRICE
7RA-14302		<u>Coil to Distributor</u> - 8 cylinder	48-53	4.00 ea.
8C-14305		<u>Generator to Voltage Regulator Wiring</u> - V-8 & 6 cylinder - 60 AMP	48-51	110.00 ea.
FAJ-14305-A		<u>Generator to Voltage Regulator Wiring</u> - 6 cylinder	53-54	13.00 ea.
FDE-14305-A		- 8 cylinder	54	15.00 ea.
FDM-14305-A		- 8 cyl. - PVC wire	55	14.00 ea.
FAK-14380		<u>Oil Pressure Wire from Sender to Cowl Wiring</u> - V8 - 3"	53-55	2.00 ea.
FAA-14439-A		<u>Starter Solenoid to Junction Box Wiring</u>	53-54	35.00 ea.
7RA-14432		<u>Temperature Senders Crossover Wire</u> - V-8	48-53	6.00 ea.
B6C-14382-A		<u>Overdrive Wiring - Solenoid to Relay for Firewall</u> - PVC wire	56	28.00 ea.
1C-14347-A		<u>Lighter to Circuit Breaker Wire</u>	51-52	12.00 ea.
FAB-14347-A		<u>Lighter to Circuit Breaker Wire</u>	53-54	4.00 ea.
7RC-14406-A		<u>Fuel Tank Sending Unit Feeder Wire</u> - 110"	48-52	10.00 ea.
7RC-14406-D		- 51" e	48-52	5.00 ea.
FDE-14476-A		<u>Ford-O-Matic Neutral Safety Switch Wire</u> - 6 & 8 cylinder	54	20.00 ea.
FDE-14476-AP		- 6 & 8 cylinder - PVC Wire	55	20.00 ea.
B-14637-B	(D)	<u>Male Wire End</u> - 14-16 gauge wire		.50 ea.
B-14564	(A)	<u>Wiring Connectors</u>		.50 ea.
59A-14487	(B)	<u>Double Splice or Four-Way Wiring Connector</u>		2.00 ea.
8M-14197	(C)	<u>Metal Clip to hold wiring on starter cable to dash</u> - 17/32"		3.00 ea.
51C-14197		<u>Metal Clip</u> 7/16" brake line or fuel line		3.00 ea.



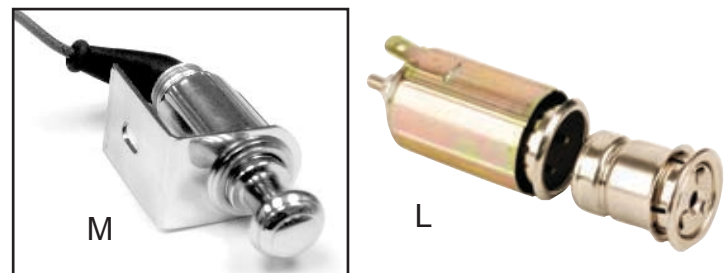
FIREWALL GROMMETS

PART #	PIC	DESCRIPTION	YEAR	PRICE
1A-14603-B	(E)	<u>Main Wiring Loom Grommet</u>	48-56	3.50 ea.
8A-14608	(F)	<u>Main Wiring Loom Retainer</u>	48-56	10.00 ea.
7C-17265		<u>Choke, Throttle & Speedometer Cable Grommet</u>	51-52	3.00 ea.
7C-17265		<u>Speedometer Cable Grommet</u> - where cable goes through floor	48-50	3.00 ea.
B-14605	(G)	<u>Choke & Throttle Cable Grommet</u>	48-50 53-56	1.00 ea.
8A-14605-A		<u>Electric Wiper Motor Cable Grommet</u>	56	1.00 ea.
BAAA-17545	(H)	<u>Wiper Hose Grommet</u>	53-56	2.00 ea.



CIGAR ELEMENT & WELL RELATED

PART #	PIC	DESCRIPTION	YEAR	PRICE
7C-15052	(I)	<u>Cigar Knob</u> - Black	48-50	5.50 ea.
1C-15052-A	(J)	- Black with red dot	51-52	5.50 ea.
BAAA-15052	(K)	- Exactly as original	53-56	4.50 ea.
B6C-15055	(L)	<u>Cigar Lighter Element & Well</u> - 12 volts	56	15.00 ea.
11A-15055		- 6 volt	48-55	20.00 ea.
8N-9004601-A	(M)	<u>Cigar Knob and Element Well with Bracket & Wire</u>	48-52	42.50 ea.



FUSES

PART #	PIC	DESCRIPTION	YEAR	PRICE
B6AZ-14526-B		Electrical Glass Fuse - AGA 5 - Box of 6		5.00 box

FRONT FENDER

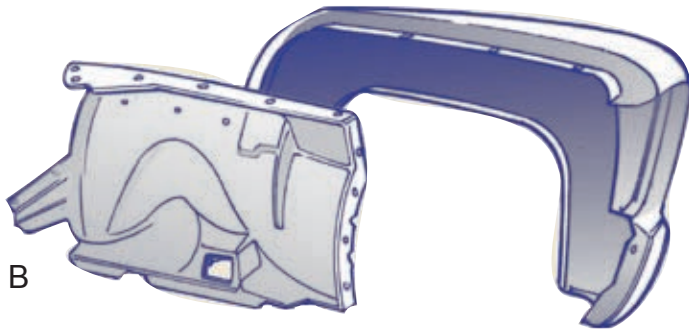
PART #	PIC	DESCRIPTION	YEAR	PRICE
B6C-16005-A	(A)	<u>Front Fender - RH</u> - Steel - Imported - F100	53-56	450.00 ea.
B6C-16006-A		<u>Front Fender - LH</u> - Steel - Imported - F100	53-56	450.00 ea.



A

INNER FENDER PANELS

PART #	PIC	DESCRIPTION	YEAR	PRICE
BAAD-16055-A	(B)	<u>Inner Fender Panel - LH</u> - Import - F100-700	53-56	200.00 ea.
BAAD-16054-A		<u>Inner Fender Panel - RH</u> - Import - F100-700	53-56	200.00 ea.



B

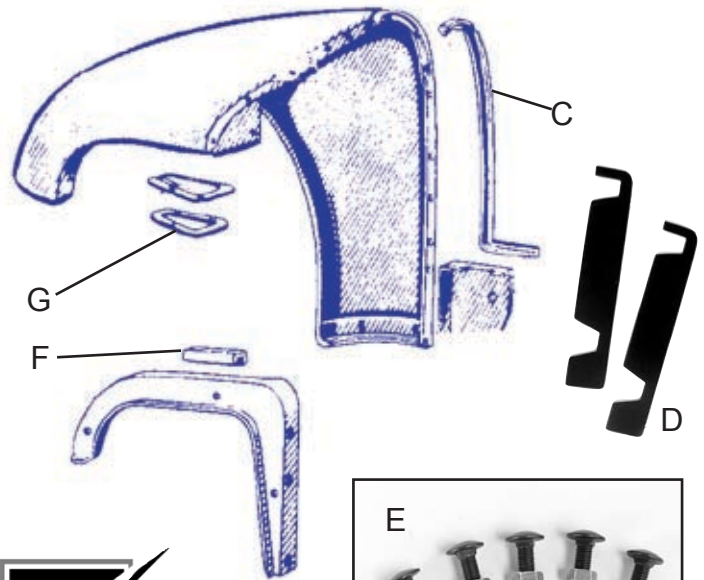
INNER FENDER APRON BUMPERS

PART #	PIC	DESCRIPTION	YEAR	PRICE
7C-16754-B		<u>Inner Fender Apron to Frame</u> <u>Bumper</u>	48-52	3.00 pr.



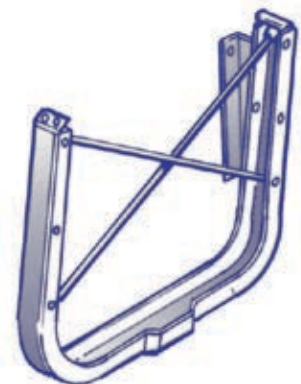
COWL TO FENDER SEALS

PART #	PIC	DESCRIPTION	YEAR	PRICE
7C-16068	(C)	<u>Back to Front Fender</u> <u>to Cowl Seal</u>	48-52	12.50 pr.
BAAA-16126		<u>Back to Front Fender</u> <u>to Cowl Seal</u>	53-56	12.50 pr.
7C-16086	(D)	<u>Front Fender Skirt Flange to</u> <u>Radiator Grille Gasket</u>	48-50	3.00 pr.
91A-16084-S10	(E)	<u>Front Inner Splash Apron to</u> <u>Fender Bolts - Set of 10</u>	48-52	10.00 set
7RC-16153-A	(F)	<u>Top of Front Fender Brace to</u> <u>Fender Support - Rubber</u>	48-52	5.00 pr.
1C-16208	(G)	<u>Front Fender Plate Opening</u> <u>Flange Gasket</u>	51-52	7.00 pr.



RADIATOR SUPPORT ASSEMBLY

PART #	PIC	DESCRIPTION	YEAR	PRICE
B3C-16138-B		<u>Radiator Support Assy.</u> - Import - F100-700	53-56	200.00 ea.



REAR FENDERS - STEP SIDE BED

PART #	PIC	DESCRIPTION	YEAR	PRICE
--------	-----	-------------	------	-------

Rear Fenders are shipped by truck or Fedex

BAAA-16312-A	(A)	Rear Fender - F100-F250 - Steel - RH	53-72	325.00 ea.
BAAA-16313-A		- Steel - LH	53-72	325.00 ea.



**GALVANIZED STEEL
MADE FROM ORIGINAL
FORD TOOLING**
Same Thickness as Original!



REAR FENDER BRACE

PART #	PIC	DESCRIPTION	YEAR	PRICE
--------	-----	-------------	------	-------

BAAA-16340-A		Rear Fender Brace - F-100, F-350	53-56	10.00 ea.
--------------	--	-------------------------------------	-------	-----------



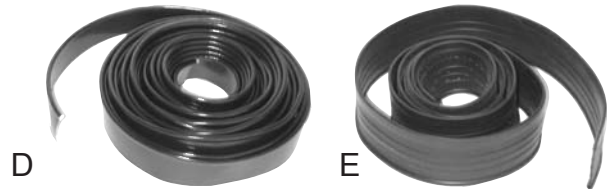
FENDER WELT

PART #	PIC	DESCRIPTION	YEAR	PRICE
--------	-----	-------------	------	-------

48-16070	(D)	Fender Welt - Black Vinyl w/ Black Bead - comes in a 30 foot roll	All	15.00 ea.
----------	-----	---	-----	-----------

48-16070-SS		Fender Welt - Stainless Steel - Comes in 8 Foot length	All	20.00 ea.
-------------	--	--	-----	-----------

48-16070-RR	(E)	Fender Welt - Rubber - comes in 8 foot length	All	10.00 ea.
-------------	-----	--	-----	-----------



REAR FENDER BOLTS - STEP SIDE BED

PART #	PIC	DESCRIPTION	YEAR	PRICE
--------	-----	-------------	------	-------

Bolts will work with Sheet Metal or Fiberglass Fenders

355471-S8	(B)	Special Bolt to Fasten Rear Fenders to Bed Sides - Exactly as Original - 5/16" x 24 1"	48-72	1.00 ea.
355471-SET		- Individual Bolt - Set of (24)	48-72	20.00 set

355471-SS	(C)	Rear Fender Bolt - Polished Stainless Steel - 5/16" - 24 x 1"	ALL	2.00 ea.
355471-SSK		- Individual Bolt - Set of (24)	ALL	40.00 set



RUNNING BOARD STEP PLATE

PART #	PIC	DESCRIPTION	YEAR	PRICE
BAAA-16400		<u>Step Plates</u> - w/ Ford Pick-Up Crest Cast in Center	53-56	60.00 pr.

Brilliant, Polished Aluminum Plate With Non-slip Pyramid Surface. Has Ford Emblem, Black On Red Background. Measures 10 1/2" Long X 5 1/4" Deep With 2" High Back.



Mounting Bolts NOT included.

BOTTOM OF CAB TO RUNNING BOARD SEALS

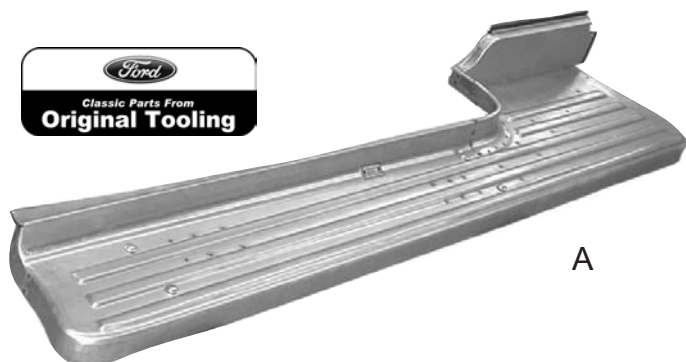
PART #	PIC	DESCRIPTION	YEAR	PRICE
		<u>Bottom of Cab to Running Board Seal</u>		
B6C-16540		- Pickup only	56	12.00 pr.
BAAA-16540-A		- Pickup only	53-55	18.50 pr.
BAAA-16540-C		- Panel only	53-56	18.50 pr.

RUNNING BOARD BOLTS & SPACERS

PART #	PIC	DESCRIPTION	YEAR	PRICE
7C-16455-S		Running Board Bolt Kit Includes: - (26) bolts, nuts & lock washers - bolts are fine threaded carriage bolts	48-52	10.00 kit
BAAA-16455-S	(B)	<u>Running Board Bolt Kit</u> Includes: - (2) long bolts for front - (2) special rubber washers - (16) correct fine threaded carriage bolts 7/8" long	53-56	10.00 kit
24367		<u>Fine Threaded Carriage Bolts</u> - 7/8" long		.50 ea.
BAAA-16460-S	(C)	Back of Front Fender to Running Board Rubber Spacer with special bolt, nut & lock washer (2 of each)	53-56	3.00 pr.

RUNNING BOARDS

PART #	PIC	DESCRIPTION	YEAR	PRICE
		<u>Steel Running Board</u> - F-100		
BAAA-16450-B		- RH	53-56	250.00 ea.
BAAA-16451-B	(A)	- LH	53-56	250.00 ea.
BAAA-16450-PR		- RH or LH SAVE, BUY A PAIR	53-56	400.00 pr.
7C-16450-PR		Running Board - RH & LH - F-1 only - w/ ribs	48-52	600.00 pr.



STEEL - MADE OFF OF ORIGINAL FORD DIES IN THE USA!

Galvanized on BOTH SIDES for years of great service!!

Compare Our Quality 
MADE IN THE U.S.A.



ANTI-SQUEAK

PART #	PIC	DESCRIPTION	YEAR	PRICE
M-17772-C		Anti-Squeak - 1" wide - 50 foot roll	48-52	30.00 ea.

NOTE: Anti-Squeak fits: Radiator Grille to Lower Locking Plate; Headlamp Support Panel to Front Fender; Front Fender Apron to Cover Plate; Front Fender Skirt Flange to Lower Radiator Grille Panel; Front Fender to Bed; Front Fender Flange to Front Fender Apron & Front Fender to Upper Radiator Grille Panel.



HOOD PARTS / EMBLEMS

48-56 Ford Truck

Quality Ford Restoration Parts

HOOD SIDE TRIM & MOULDING

PART #	PIC	DESCRIPTION	YEAR	PRICE
BAAA-16732-KIT	(D)	<u>Hood Side Trim and F-100 Emblem</u>	53-54	200.00 kit
7C-16720-S		<u>Side of Hood Stainless Moldings</u> - Set of 4 - No Fasteners	48-50	100.00 set
1C-16732-B		<u>Hood Side Ends or Points for Hood Side</u> - Stainless - moldings, die cast - zinc, chrome-plated - no fasteners	51	60.00 ea.
357841-S		Center Hood Strip Clip	51	1.00 ea.
357841-SET		Center Hood Strip Clip Set Set of (10)	51	8.00 set



HOOD EMBLEMS

PART #	PIC	DESCRIPTION	YEAR	PRICE
BAAA-16637-A	(E)	<u>Hood Emblem - Front</u> - painted - w/ fasteners - pads sold separately	53-56	45.00 ea.
BAAA-16638-S	(F)	<u>Hood Emblem Pad - Front</u>	53-56	3.00 ea.



Compare Our Quality **TRIPLE CHROME, LASTS LONGER**

SIDE OF CAB EMBLEMS

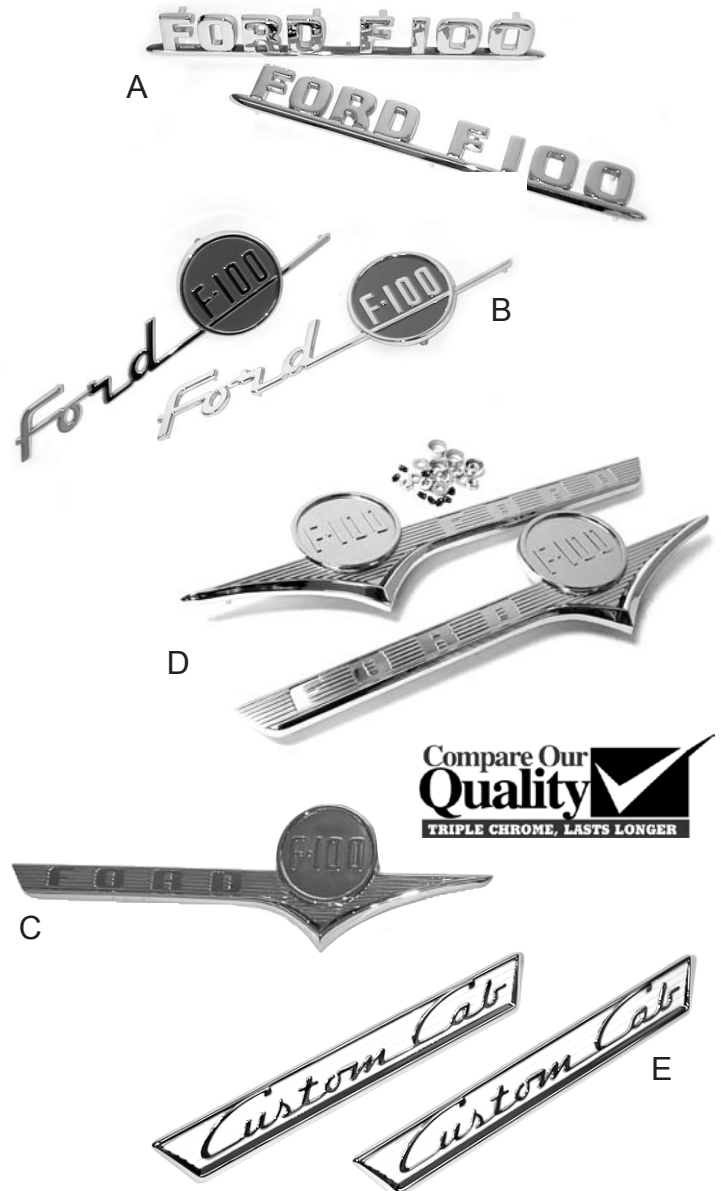
PART #	PIC	DESCRIPTION	YEAR	PRICE
8C-16605		<u>Side of Cab Emblem</u> - Die Cast - Chrome Plated - F-1 - w/ fasteners	48-50	25.00 ea.



Compare Our Quality **TRIPLE CHROME, LASTS LONGER**

HOOD EMBLEMS

PART #	PIC	DESCRIPTION	YEAR	PRICE
- PRESSURE DIE CASTED - TRIPLE CHROME PLATED				
Official Licensed Product				
BAAA-16721-PR	(A)	<u>Side of Hood Emblems</u> - Die Cast - Chrome Plated - with fasteners	53-54	47.50 pr.
B5C-16721-PR	(B)	<u>Side of Hood Emblems</u> - Die Cast - Chrome Plated - with fasteners	55	77.50 pr.
B6C-16720-PR	(C)	<u>Hood Side Emblems</u> - Painted Red - w/ fasteners	56	100.00 pr.
B6C-16720-CPR	(D)	<u>Hood Side Emblems</u> - All Chrome - with fasteners	56	100.00 pr.
B5C-8125622-PR	(E)	<u>Door Emblems Custom Cab</u> - painted - w/ fasteners	55-56	37.50 pr.



Compare Our Quality **TRIPLE CHROME, LASTS LONGER**

HOOD

PART #	PIC	DESCRIPTION	YEAR	PRICE
B6C-16612-A	(A)	<u>Hood - Sheet Metal Only</u> - F100-650 Must be shipped by Truck (\$75.00 crating fee)	53-56	900.00 ea.

HOOD LATCH PARTS

PART #	PIC	DESCRIPTION	YEAR	PRICE
B5C-16700	(G)	<u>Hood Latch Assembly</u>	53-56	40.00 ea.
BAAA-16892	(B)	<u>Hood Safety Catch</u> - Zinc Plated - F-100 - 188	53-56	17.00 ea.
BAAA-16921-A	(F)	<u>Hood Latch Return Spring</u>	53-54	1.00 ea.

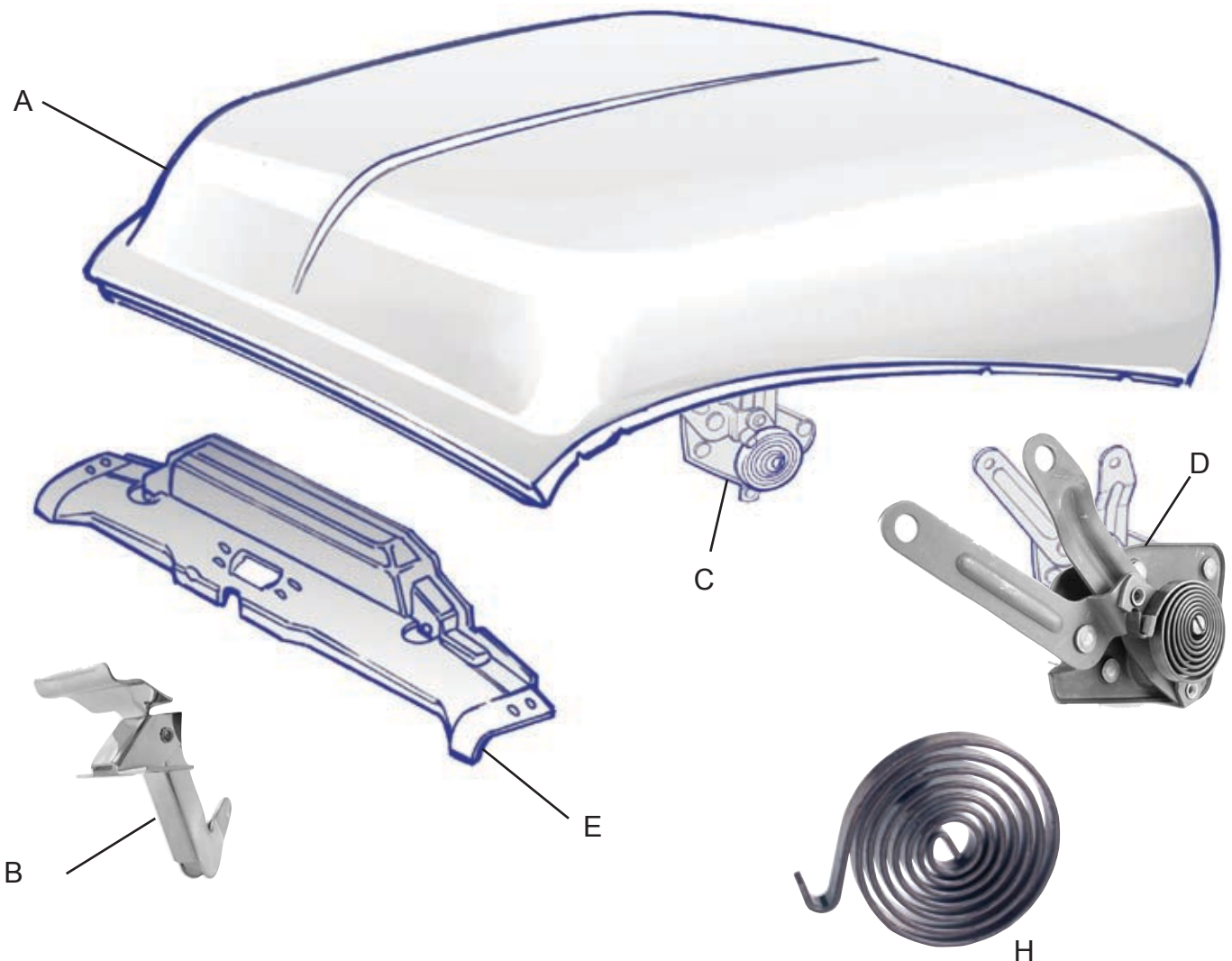


HOOD HINGE PARTS

PART #	PIC	DESCRIPTION	YEAR	PRICE
<u>Hood Hinge - F100-700</u>				
B3TZ-16796-A		- imported, w/ spring - RH	53-55	70.00 ea.
B3TZ-16797-A		- imported, w/ spring - LH	53-55	70.00 ea.
<u>Hood Hinge - F100-900</u>				
B6TZ-16796-A	(C)	- imported, w/ spring - RH	56	70.00 ea.
B6TZ-16797-A	(D)	- imported, w/ spring - LH	56	70.00 ea.
<u>Hood Hinge Bolt Only</u>				
91A-16798-S		- Black - set of (4)	48-52	6.00 set
8A-16798-S		- Black	53-55	2.50 ea.
B6C-16798-S		- Silver	56	3.50 ea.
BF-16812-A	(H)	<u>Hood Hinge Spring</u> - F100-900	53-56	40.00 ea.

HOOD LOCKING PANEL

PART #	PIC	DESCRIPTION	YEAR	PRICE
B5C-16717-A	(E)	<u>Hood Locking Panel Assembly</u> - Import - F100-700	53-56	200.00 ea.



COWL LACING KIT

PART #	PIC	DESCRIPTION	YEAR	PRICE
21C-16740	(I)	<u>Cowl Lacing Kit</u> - 49" long - Anti-squeak that fits where hood sets on cowl complete with tacks - made of cloth	42-56	15.00 ea.
B7C-16740	(J)	<u>Cowl Lacing Kit in Rubber</u> complete with tacks	42-56	10.00 ea.



I

Cloth Type



J

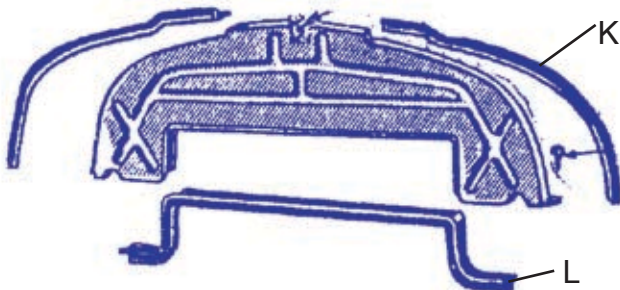
Rubber Type

SIDE OF HOOD MOLDING CLIPS

PART #	PIC	DESCRIPTION	YEAR	PRICE
358158-S3		- need 20 per hood	48-50	1.50 ea.
358158-set		- set of 20	48-50	27.00 set
357841-s		- need 10 per hood	51-52	1.00 ea.
357841-set		- set of 10	51-52	8.00 set

HOOD RELATED SEALS

PART #	PIC	DESCRIPTION	YEAR	PRICE
BAAA-16770-A		<u>Hood Front to Top of Radiator Seal</u>	53-56	7.00 ea.
BAAA-16771		<u>Hood Front to Top of Radiator Seal Metal Retainer</u>	53-56	4.00 ea.
8C-16614	(K)	<u>Radiator Shroud to Hood Seal</u> - Upper	48-52	5.00 ea.
7C-16614	(L)	- Lower	48-52	5.00 ea.
B3T-8349		<u>Air Deflector to Top of Radiator Seal</u> - 27 1/4"	53-56	5.00 ea.



HOOD BUMPER KIT

PART #	PIC	DESCRIPTION	YEAR	PRICE
7C-16761	(M)	<u>Hood Bumper Kit</u> - (9) Pieces	48-52	8.00 kit
BAAA-16761	(N)	- (6) Pieces	53-56	8.00 kit



M



N

SPEEDOMETER ASSEMBLY

PART #	PIC	DESCRIPTION	YEAR	PRICE
1C-17255-A		Speedometer Assembly - F-100-800 - NOS - Limited Supply	51-52	150.00 ea.



SPEEDOMETER DRIVEN GEAR

PART #	PIC	DESCRIPTION	YEAR	PRICE
B5A-17322-C		- 19 teeth	48-56	10.00 ea.
B5A-17322-A		- 20 teeth	48-56	10.00 ea.
B5A-17322-B		- 21 teeth	48-56	10.00 ea.
B5A-17322-D		- 22 teeth	48-56	10.00 ea.



INSTRUMENT PANEL DECAL

PART #	PIC	DESCRIPTION	YEAR	PRICE
7C-17255-DF		Instrument Panel Decal Set - For Speedometer & Gauges - F-1 - F-8	48-50	40.00 set



SPEEDOMETER CABLE & HOUSING PARTS

PART #	PIC	DESCRIPTION	YEAR	PRICE
8C-17260-A	(A)	<u>Speedometer Cable & Housing Assembly</u> - 75.75" - All 3 speed	48-52	20.00 ea.
B7C-17260-A		<u>Speedometer Cable Assembly</u> - w/ 4 speed, 5 speed. - 69.20" long - F1-F8	48-60	20.00 ea.
A9A-17260	(B)	<u>Speedometer Cable & Housing Assembly</u> - 3 speed - Automatic & Overdrive - 70.25"	53-60	15.00 ea.
7C-17265		Speedometer Housing Grommet Speedometer Housing, Choke & Throttle Firewall Grommet where it goes through the floorboard	48-52	3.00 ea.
B5A-19581-A	(C)	<u>Speedometer Cable Lube</u> - comes in a tube		5.50 ea.
B6C-17310-S		<u>Speedometer to Dash Seal</u> - Rubber	56	6.00 ea.
48-17265	(D)	<u>Speedometer Cable to Firewall Grommet</u>	56	3.00 ea.

Note: BEFORE ORDERING a speedometer cable, check the end of the cable where it goes into transmission to be sure that the correct part is ordered. Also make sure the speedometer head turns freely.



MIRRORS

OUTSIDE REAR VIEW MIRROR

PART #	PIC	DESCRIPTION	YEAR	PRICE
BAAA-17696-S	(E)	<u>Outside Rear View Mirror Assy.</u> - w/ all attaching parts - Ford Script - Original Accessory	53-55	65.00 ea.
B6C-17696-S	(E)	<u>Outside Rear View Mirror Assy.</u> - complete w/all attaching parts - Ford Script	56-66	65.00 ea.
352488-S		<u>Plug to Fill Door Mirror Bracket Hole</u> - Used when you do not have a mirror	53-66	1.50 ea.

Below Items are included Assembly / Kits

BAAA-17699-S		<u>Mirror Arm to Door Grommet</u>	53-66	2.50 ea.
BAAA-17727-A	(F)	<u>Mirror Arm in Door</u>	53-55	15.00 ea.
B6C-17727-A	(G)	<u>Mirror Arm in Door</u>	56-66	15.00 ea.
BAAA-17696-H		<u>Outside Rear View Mirror</u> - Head Only	53-66	25.00 ea.



OUTSIDE REAR VIEW MIRROR

PART #	PIC	DESCRIPTION	YEAR	PRICE
48-18403	(H)	<u>Door Hinge Mirror Assembly</u> - w/ special pin, arm & head can be used on either side by reversing heads. - Triple chrome Plated	48-52	35.00 ea.
NOTE: This is for 1951-52 only. Concerning part # 48-18403, you will need to grind some metal off the door hinge in order to use the mirror arm. Grind off just enough until the holes line up.				
D1C-17723		<u>Mirror head</u> - Painted Black - 5" diameter	40-52	15.00 ea.
68-17741-H		Mirror Head - Chrome - 4"	40-52	15.00 ea.



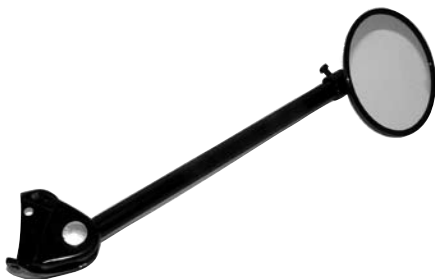
INSIDE REAR VIEW MIRRORS

PART #	PIC	DESCRIPTION	YEAR	PRICE
6A-17682-SS		<u>Inside Rear View Mirror & Arm</u> - Stainless - Replacement - No fasteners	48-52	42.50 ea.
BAAA-17700-B	(I)	<u>Inside Rear View Mirror</u> - w/ Arm & Installation Bracket - No fasteners	53-55	50.00 ea.
BAAA-17700-B		- Chrome Plated	56	50.00 ea.
B6C-17700-B	(J)	- Chrome Plated- for use with overhead radio speaker	56	50.00 ea.
52353-SS		<u>Inside Mirror Bracket Screws</u> - Stainless Steel - Set of 3	48-56	1.00 set



OUTSIDE REAR VIEW MIRROR

PART #	PIC	DESCRIPTION	YEAR	PRICE
8C-18402-A		Outside Rear View Mirror - Painted Black	48-52	75.00 ea.
8C-18403-A		- RH	48-52	75.00 ea.
		- LH	48-52	75.00 ea.



ELECTRIC WIPER MOTORS

PART #	PIC	DESCRIPTION	YEAR	PRICE
12 VOLT, 2 SPEED ELECTRIC WIPER MOTOR				
7C-17508	(A)	Complete with Wiring, Switch & Mounting Bracket NOTE: FOR 1948-50 brackets under the dash will have to be removed. For 1948-52 will not work with original radio	48-52	275.00 ea.
BAAA-17508	(B)	Complete with Wiring, Switch & Mounting Bracket	53-55	150.00 ea.
B6C-17508-RR	(C)	Complete with Wiring, Switch & Mounting Bracket	56-60	150.00 ea.



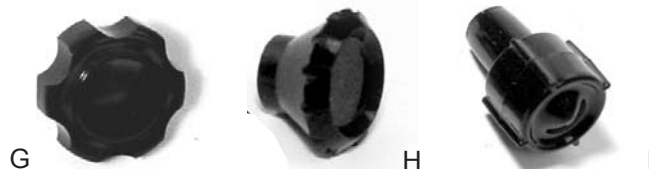
ELECTRIC WIPER SWITCH PARTS

PART #	PIC	DESCRIPTION	YEAR	PRICE
8A-14605-A		<u>Electric Wiper Motor Cable Grommet</u>	56	1.00 ea.
8C-17470		<u>Electric Wiper Motor On/Off Switch - 2 speed</u>	51-52	17.50 ea.
B6C-17470-A	(D)	<u>Electric Wiper Motor On/Off Switch - 2 speed</u>	53-56	40.00 ea.
7C-17512-B	(E)	<u>Electric Wiper Switch to Dash Nut - Chrome</u>	51-52	5.50 ea.
B7C-17512-A	(F)	<u>Electric Wiper Switch to Dash Nut - Chrome</u>	53-60	8.00 ea.



WIPER KNOBS

PART #	PIC	DESCRIPTION	YEAR	PRICE
<u>Wiper Knob - On/Off</u>				
1C-17513-A	(G)	- Black - Vacuum Wipers	48-50	4.50 ea.
1C-17513-A	(G)	- Black - Electric Motor	51-52	4.50 ea.
2C-17513-A	(H)	- Black - Vacuum Wipers	51-52	5.00 ea.
BAAA-17513	(I)	- Black	53-56	4.50 ea.



WIPER PIVOT BEZEL & SEALS

PART #	PIC	DESCRIPTION	YEAR	PRICE
7C-17541		<u>Wiper Pivot to Cowl Gasket</u>	48-52	3.00 pr.
BAAA-17541-A		<u>Wiper Pivot to Cowl Gasket</u>	53-60	3.00 pr.
<u>Wiper Pivot Shaft Bezel or Spacer</u>				
BAAA-17515-A	(J)	- Chrome Plated	53-60	7.50 ea.
7C-17515	(K)	- Chrome Plated	48-52	12.00 ea.

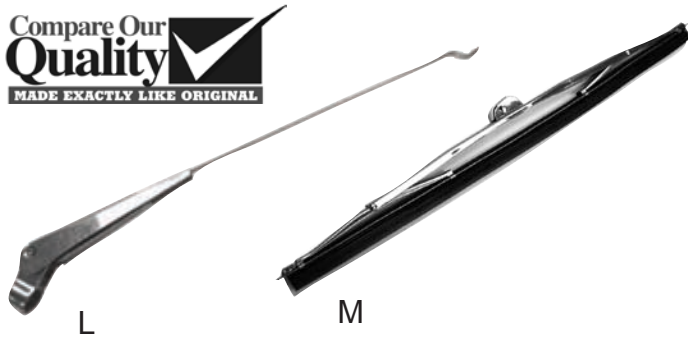


WIPER ARM - ORIGINAL TYPE

PART #	PIC	DESCRIPTION	YEAR	PRICE
1C-17526		- Stainless - RH or LH	48-52	16.00 ea.
BD-17527-A		- Stainless - RH or LH	53-55	15.00 ea.
B6C-17526-A		- Stainless - RH	56	15.00 ea.
B6C-17527-A	(L)	- Stainless - LH	56	15.00 ea.

WIPER BLADE - ORIGINAL TYPE

PART #	PIC	DESCRIPTION	YEAR	PRICE
A8C-17528-A		- Stainless	48-52	15.00 ea.
B8AB-17528-A	(M)	- Stainless	53-56	15.00 ea.



WIPER ARM - REPLACEMENT

PART #	PIC	DESCRIPTION	YEAR	PRICE
DO NOT MIX ORIGINAL WITH REPLACEMENT				
A8TZ-17526-A		- Replacement by Trico	48-52	22.00 ea.
B2AZ-17526-A	(N)	- Replacement by Trico	53-56	25.00 ea.

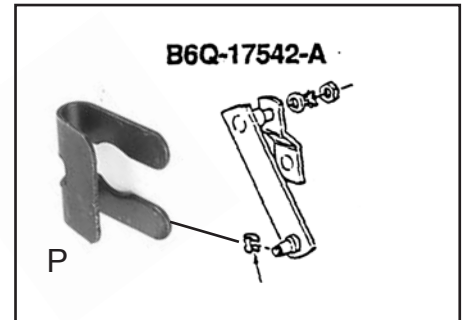
WIPER BLADE - REPLACEMENT

PART #	PIC	DESCRIPTION	YEAR	PRICE
B1T-17528-A		- Replacement by Trico	48-52	12.00 ea.
B2T-17528-A	(O)	- Replacement by Trico	53-60	12.00 ea.



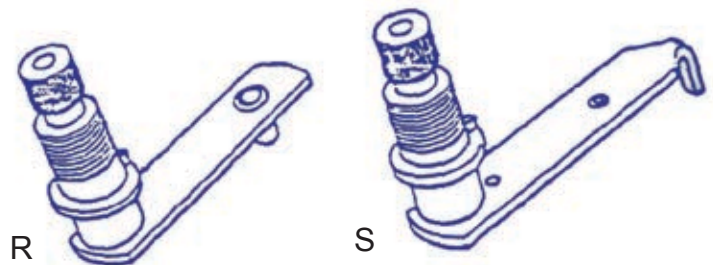
WIPER PARTS

PART #	PIC	DESCRIPTION	YEAR	PRICE
06H-17531	(P)	<u>Wiper Arm Clip</u> - goes under dash to motor	48-56	1.00 ea.
BAAA-17542-A		<u>Wiper Motor Clevis</u> - Comes w/ electric motor	53-55	10.00 ea.
B6Q-17542-A		<u>Wiper Motor Clevis</u> - use when changing from vacuum to electric motor - comes with electric motor	56-60	20.00 ea.
99A-17543		<u>Wiper Hose - 1/4" I.D.</u> - Sold by the foot - Non-Returnable	32-60	.75 ft
BAAA-17545		<u>Wiper Hose Grommet</u>	53-55	2.00 ea.
51A-17562	(Q)	<u>Wiper Arm to Motor Grommet</u>	48-55	2.00 ea.



WIPER PIVOT ASSEMBLY & NUTS

PART #	PIC	DESCRIPTION	YEAR	PRICE
<u>Wiper Pivot Assembly</u>				
7C-17566-A		- RH - electric wiper motor only	51-52	27.50 ea.
7C-17567-A		- LH - electric wiper motor only	51-52	27.50 ea.
BAAA-17566	(R)	<u>Wiper Pivot Assembly</u>	53-55	27.50 ea.
B6C-17566	(S)	<u>Wiper Pivot Assembly</u>	56	27.50 ea.
<u>Wiper Pivot Shaft Nut</u>				
356094-S	(T)	- Chrome Plated	48-60	5.00 ea.
356095-S	(U)	- Chrome Plated	56	5.00 ea.



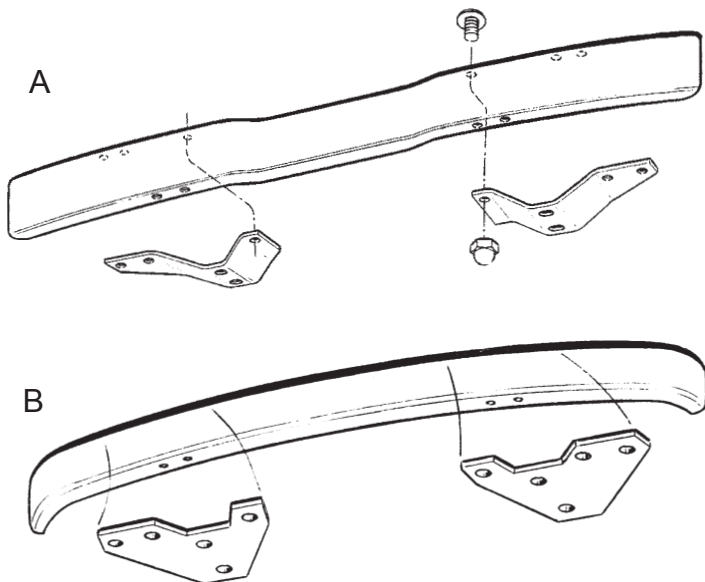
FRONT BUMPERS

PART #	PIC	DESCRIPTION	YEAR	PRICE
TAAA-17750-B		Front Bumper - w/ Brackets - Cold Rolled Steel	53-56	100.00 ea.
TAAA-17750-SS	(A)	- Polished Stainless Steel	53-56	300.00 ea.
7C-17750-A		Front Bumper - w/ Brackets - Cold Rolled Steel	48-52	125.00 ea.
7C-17750-SS	(B)	- Polished Stainless Steel	48-52	310.00 ea.

NOTE: 7C17750-A & 7C-17750-SS is correct for 1948-50, but will fit 1951-52

FRONT BUMPERS - WITHOUT HOLES

PART #	PIC	DESCRIPTION	YEAR	PRICE
7C-17750-NH		Front Bumper w/ No Holes or Brackets - Polished Stainless Steel	48-52	310.00 ea.
TAAA-17750-NH		- Polished Stainless Steel	53-56	300.00 ea.



REAR BUMPER BRACKETS & BOLTS

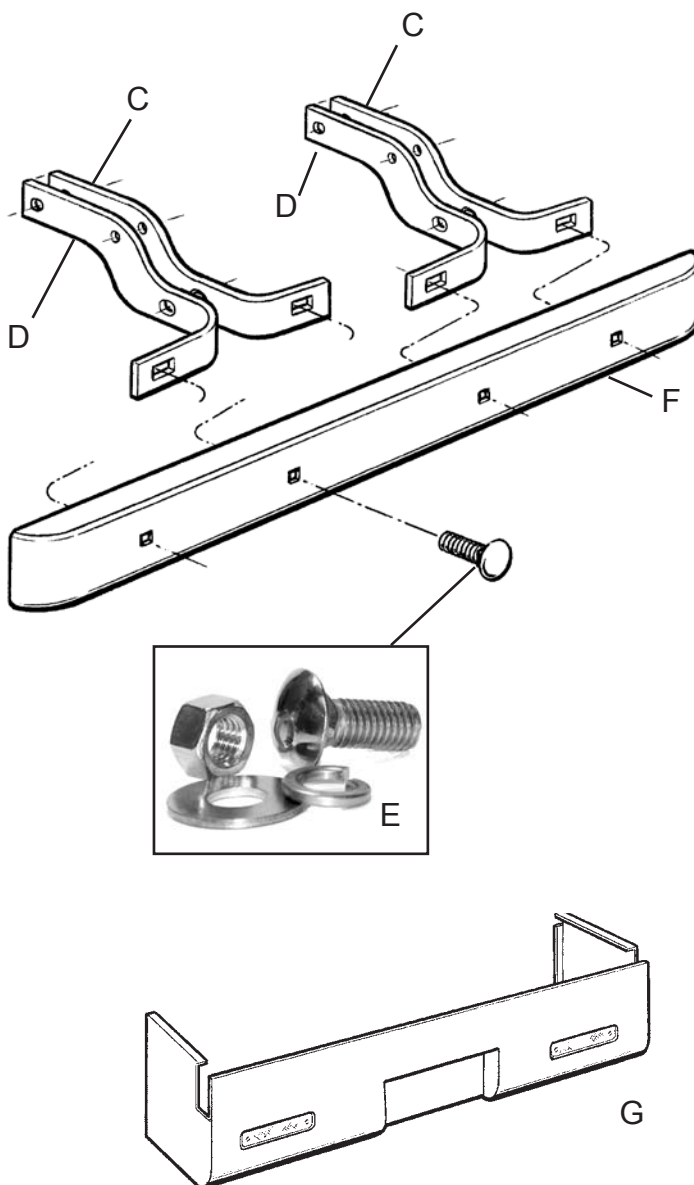
PART #	PIC	DESCRIPTION	YEAR	PRICE
B5C-17787-A	(C)	<u>Rear Bumper Arm Bracket</u> - Right Outer or Left Inner	48-56	30.00 ea.
B5C-17788-A	(D)	- Right Inner or Left Outer	48-56	30.00 ea.
B5C-17787-SET		<u>Rear Bumper Arm Bracket Set</u> Includes: (2) B5C-17787-A (2) B5C-17788-A	48-56	100.00 set
BB-17758-A		<u>Rear Bumper Bolt</u> - w/ steel bolt w/ stainless cap over bolt head	48-56	5.00 ea.
BB-17758-SS	(E)	<u>Rear Bumper Bolt</u> - w/ nut and washer - all stainless bolt	48-56	5.00 ea.

REAR BUMPERS

PART #	PIC	DESCRIPTION	YEAR	PRICE
		<u>Rear Bumper</u> <u>- NO Brackets</u>		
BBAA-17906-A		- Cold Rolled Steel, no bolts	48-56	110.00 ea.
BBAA-17906-SS	(F)	- Polished Stainless Steel w/ bolt	48-56	300.00 ea.
		<u>Rear Roll Pan</u>		
BAAA-8140320-B		- w/ License Plate Recess	53-56	200.00 ea.
BAAA-8140320-D	(G)	- w/ License Plate Recess & Taillights	53-56	350.00 ea.

REAR BUMPER - WITHOUT HOLES

PART #	PIC	DESCRIPTION	YEAR	PRICE
BAAA-17906-NH		Rear Bumper w/ No Holes or Brackets - Polished Stainless Steel	48-56	300.00 ea



Stamping stainless steel into Ford truck bumpers



Made EXACTLY Like The Ford Originals!
How Dennis Carpenter makes bumpers for YOUR classic pickup



Our stainless steel 1953-56 front bumpers are made of 304 annealed steel which is the same thickness as a Ford original. Here the pieces are cut to the proper length by using a 75 ton press fitted with cutting dies.



The bumper shaping process begins as the steel is formed into a U channel shape. This view shows the 90 degree forming dies which are used to do the operation.



The U channel steel is then readied for the next stamping operation. Each piece is liberally coated with a special lubricant which allows the steel to be drawn more easily between the stamping dies.



Here you can see our 1953-1956 F100 front bumper being pulled from the forming dies. This HTC hydraulic press is capable of exerting 500 tons of pressure though only 240 tons of pressure is required to form the bumpers.



Though this press is now set up with the 1953-56 truck front bumper dies it is also used to make our 1948-56 rear bumpers, 1949 car scuff plates, 1966-77 Bronco rocker panels and 100's of other Dennis Carpenter Ford restoration parts.



This view shows the front bumper ready to receive its final stamping process. This operation is responsible for cutting the bumper mounting bracket holes on the top and bottom edges of the bumpers. After this the stainless steel bumpers are sent out to be polished to a luxurious shine.

SHOCK ABSORBERS

PART #	PIC	DESCRIPTION	YEAR	PRICE
A8C-18124-A	(A)	<u>Shock Absorber -FRONT</u> - F-1, F-2, F-3	48-52	38.00 ea.
7RC-18125-A		- F-100, F-250, F-300	53-55	44.00 ea.
B6C-18124		- F100	56	40.00 ea.
7RC-18125-A	(B)	<u>Shock Absorber - REAR</u> - F-1, F-2, F-3	48-55	44.00 ea.
B6C-18125		- F100	56	50.00 ea.
51A-18197-1003	(C)	<u>Front & Rear Rubber Bushing - (4) per shock</u> - included w/ shock	48-56	2.00 ea.



A



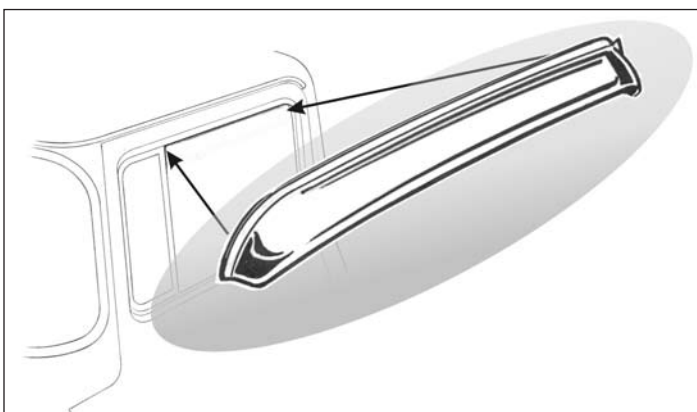
B



C

WINDOW SHADES - STAINLESS STEEL

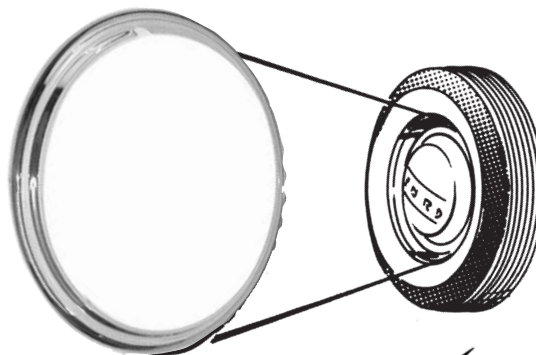
PART #	PIC	DESCRIPTION	YEAR	PRICE
7C-18246	(D)	<u>Window Shades</u>	48-52	40.00 pr.
BAAA-18246		<u>Window Shades</u>	53-55	40.00 pr.
B6C-18246		<u>Window Shades</u>	56	40.00 pr.



D

OUTER BEAUTY RINGS - STAINLESS

PART #	PIC	DESCRIPTION	YEAR	PRICE
6A-18303-15		- 15" Wheel - Smooth		25.00 ea.
6A-18303-16		- 16" Wheel - Smooth		25.00 ea.
01A-18303-15		- 15" Wheel - Ribbed Type		30.00 ea.



**High Grade
Polished
Stainless Steel**

Will not rust, Lasts Forever

STAINLESS EXHAUST DEFLECTORS

PART #	PIC	DESCRIPTION	YEAR	PRICE
51A-18529-A	(E)	- Ford Script	ALL	16.00 ea.
51A-18529-B	(F)	- V-8	ALL	16.00 ea.
51A-18529-P		- Plain	ALL	15.00 ea.



E

F

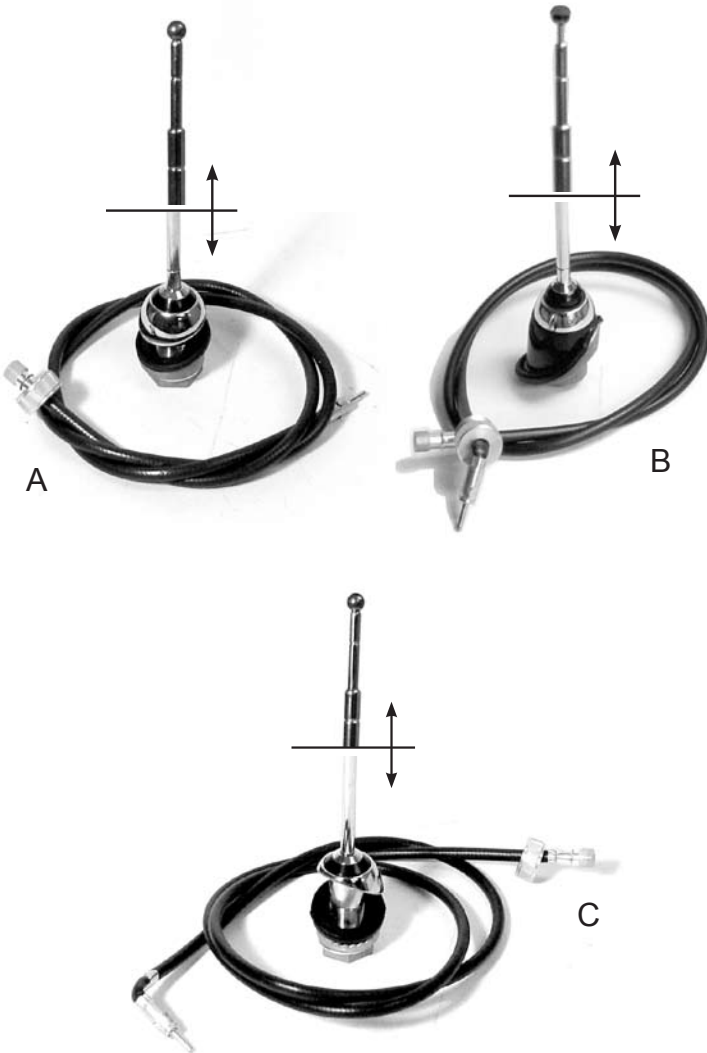


**High Grade
Polished
Stainless Steel**

Will not rust, Lasts Forever

ANTENNA ASSEMBLY

PART #	PIC	DESCRIPTION	YEAR	PRICE
ALL ANTENNAS MFG IN THE USA IN OUR SHOP				
- Comes Complete with Base, Mast, Template & Lead-In Wire				
- Includes Instructions. MADE EXACTLY AS ORIGINAL!				
6A-18813	(A)	Top of Cowl Antenna Assembly	48-52	65.00 ea.
BAAA-18813-A	(B)	Top of Cowl Antenna Assembly	53-55	65.00 ea.
B6C-18813-B	(C)	Top of Cowl Antenna Assembly	56	65.00 ea.
6A-18815-S		Antenna Mast Assembly Only - Included in above kit	48-66	20.00 ea.



Made Exactly Like
Original ✓
NOT A GENERIC REPLACEMENT

✌️
Quality Assured Parts
Made in USA

HEATER PARTS

PART #	PIC	DESCRIPTION	YEAR	PRICE
91A-15160-A	(A)	<u>Lower Heater Hose</u> - Fitting in Lower Radiator Hose	48-56	15.00 ea.
APA-18472-A	(B)	<u>Heater Hose</u> - 5/8" I.D. - Black - Sold by the foot - Non Returnable	ALL	1.00 ft.
91A-15142		<u>Heater Hose On/Off Valve</u> - goes on motor	48-56	20.00 ea.
21A-18527 B6C-18527	(C)	<u>Heater Motor</u> - Universal - 6 volt - 1-speed - Universal - 12 volt - 1-speed	48-55 56-60	87.50 ea. 87.50 ea.
BAAA-18565-S	(D)	<u>Recirculating Heater Seal Kit</u> - Includes: (2) core to housing seals & (1) fan motor seal	53-56	10.00 kit
BPA-18572	(E)	<u>Heater Hose Clamp</u> - 5/8" - I.D.	ALL	1.00 ea.
1A-18578-A		<u>Heater Switch Assembly</u> - 2 speed	56	25.00 ea.
8C-18595	(F)	<u>Heater Tube to Firewall Seal</u> - (2) per truck	48-52	1.00 ea.
1C-18547-A		<u>Heater Defroster Nozzle Gasket</u>	48-52	15.00 pr.

HEATER CABLE & KNOBS

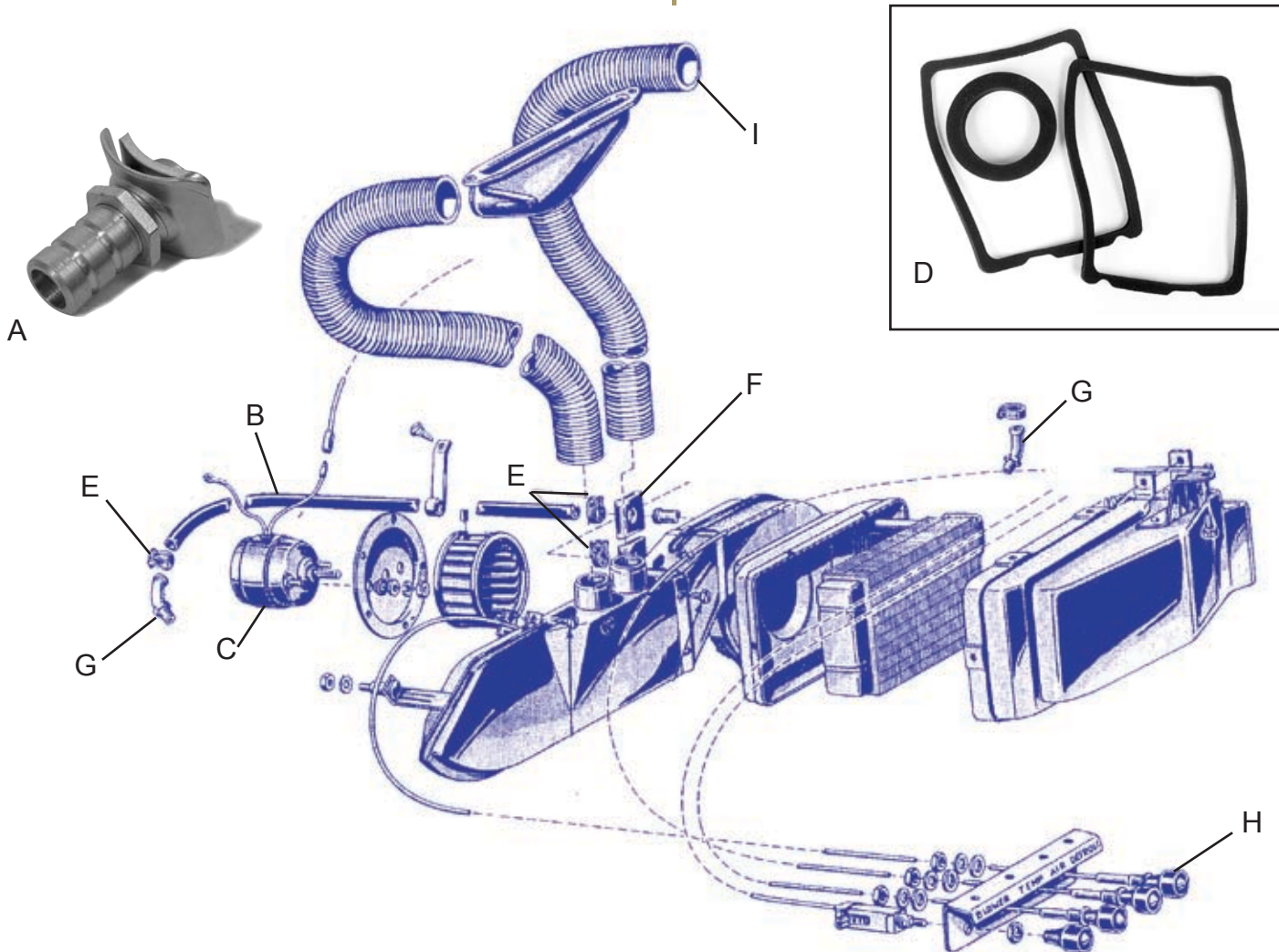
PART #	PIC	DESCRIPTION	YEAR	PRICE
7C-9700-U		Heater Cable Replacement - cut to fit	ALL	10.00 ea.
7C-9700	(H)	Heater Cable Knob - Black	48-50	4.50 ea.
1C-9700	(H)	Heater Cable Knob - Black	51-52	4.50 ea.
BAAA-9700	(H)	Heater Cable Knob - Black	53-56	4.00 ea.

HEATER DECAL

PART #	PIC	DESCRIPTION	YEAR	PRICE
DF-490		Decal for Heater Control Blower & Temp. Air Defroster - cut to fit	53-56	2.50 ea.

DEFROSTER HOSE

PART #	PIC	DESCRIPTION	YEAR	PRICE
Order by size and length. - NON RETURNABLE - Sold by the foot.				
8H-18556-B	(I)	Defroster Hose - 1 3/4" I.D. -		6.25 ft.
FAB-18556-D	(I)	Defroster Hose - 2" I.D.		9.00 ft.
B5A-18556-C	(I)	Defroster Hose - 2 1/2" I. D.		10.00 ft.



ASHTRAY KNOB

PART #	PIC	DESCRIPTION	YEAR	PRICE
BAAA-8101656		Ash Tray Knob - Black	53-56	3.50 ea.



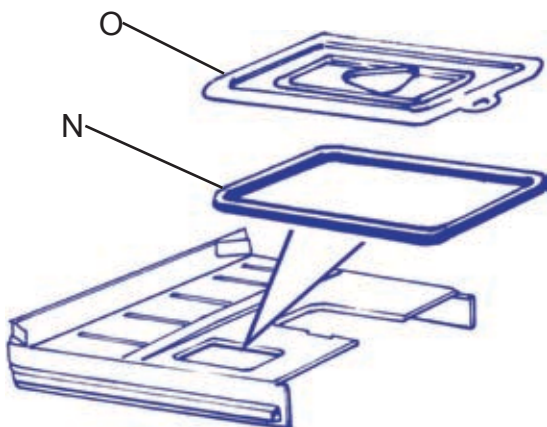
OVERDRIVE

PART #	PIC	DESCRIPTION	YEAR	PRICE
1A-7001694	(K)	Overdrive Cable Grommet - for Firewall	51-56	4.00 ea.
8A-6918-B	(L)	Overdrive Kickdown Switch	49-56	20.00 ea.
A9AZ-7A650-A	(M)	Overdrive Cable - w/ Chrome Knob (cut to fit)	48-56	50.00 ea.



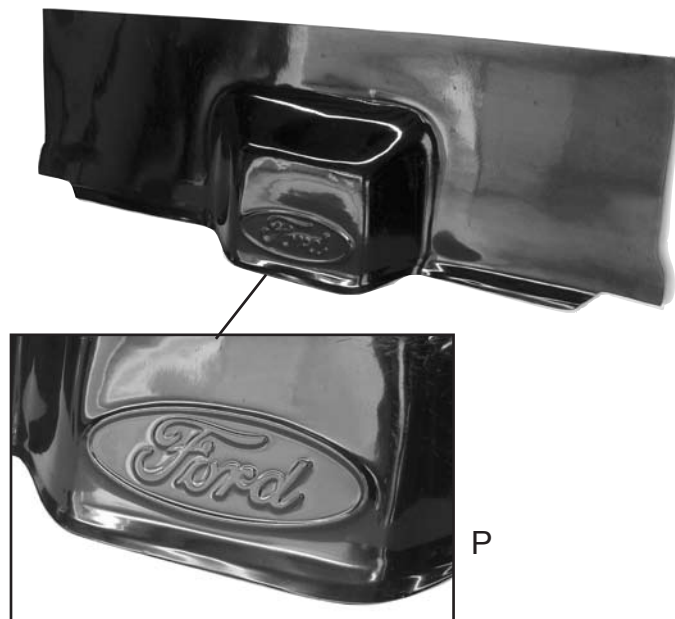
BATTERY HOLE COVER & SEAL

PART #	PIC	DESCRIPTION	YEAR	PRICE
BAAA-8101645-B		Battery Hole Cover & Floor Seal	53-55	10.00 ea.
B6C-8101645-B	(N)	Battery Hole Cover & Floor Seal	56	10.00 ea.
BAAA-8101619-A	(O)	Battery Hole Cover in Floor Pan	53-55	35.00 ea.
B6C-8101619-A		Battery Hole Cover in Floor Pan	56	35.00 ea.



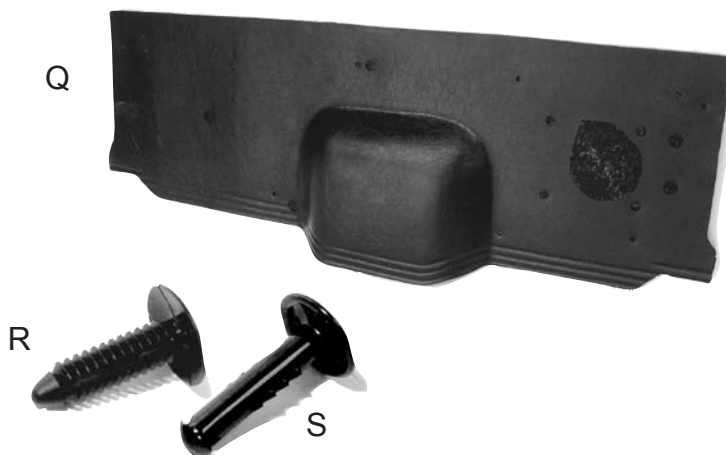
FIBER GLASS FIREWALL COVERS

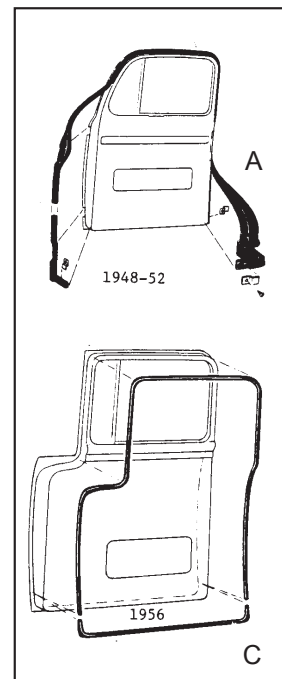
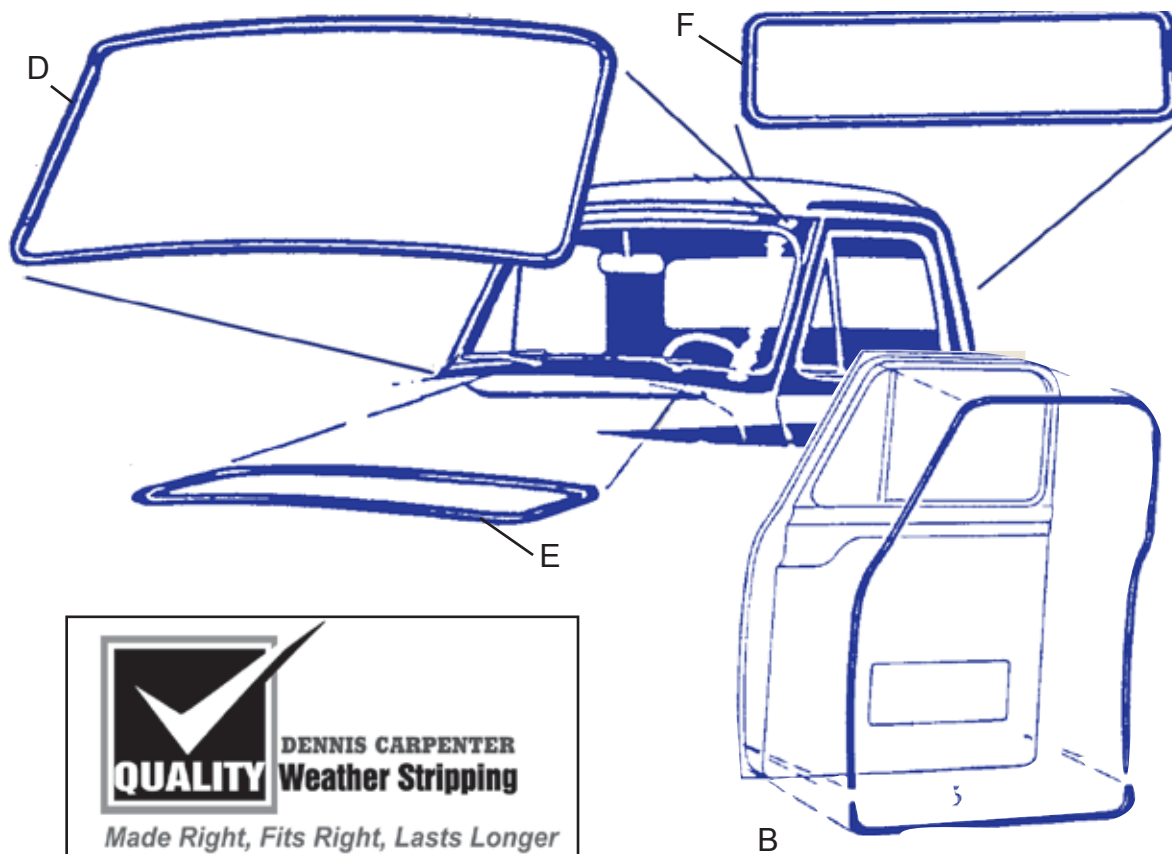
PART #	PIC	DESCRIPTION	YEAR	PRICE
No Insulation or Pre-Cut Holes				
7C-8101670-A		- Plain - without clips	48-52	100.00 ea.
B6C-8101670-A		- Plain - without clips	53-56	100.00 ea.
7C-8101670-FS		- Ford Script - without clips	48-52	100.00 ea.
B6C-8101670-FS	(P)	- Ford Script - without clips	53-56	100.00 ea.



ABS FIREWALL COVERS

PART #	PIC	DESCRIPTION	YEAR	PRICE
New tough A B S Plastic Firewall Covers with insulation attached. Molded to fit the original firewall with holes pre-cut. Fasteners NOT Included.				
7C-8101670-ABS		<u>Firewall Cover</u>		
BAAA-8101670-ABS	(Q)	- need 11 fastners	48-52	175.00 ea.
B6C-8101670-ABS		- need 9 fastners	53-55	175.00 ea.
		- need 10 fastners	56	175.00 ea.
<u>Special Clip to Hold Firewall Cover to Firewall</u>				
390018-S	(R)	- Plastic	ALL	1.00 ea.
48-7001670-CLIP	(S)	- Metal	ALL	3.00 ea.





DOOR SEALS

PART #	PIC	DESCRIPTION	YEAR	PRICE
8C-8120530-PR	(A)	Door Seals - glue on type	48-52	60.00 pr.
BAAA-8120530-PR	(B)	Door Seals - glue on type	53-55	60.00 pr.
B6C-8120530-PR	(C)	Door Seals - glue on type	56	70.00 pr.
91C-8120706		Bottom of Door Seal - goes on body - included in door seal kit	32-52	8.00 pr.

NOTE: Our door seals are exact duplicates of the originals. No detail is left out. The kits consist of: front, top, back & bottom of door seals. The 1948-52 consists of special molded pieces for the front of door & for lower back side of door. All are bonded into one piece. The 1953-56 kits have special molded lower front and rear corners of each door. The 1956 kit also has the special "S" section for area where the door shuts against the windshield frame.

FRONT WINDSHIELD SEALS

PART #	PIC	DESCRIPTION	YEAR	PRICE
MANUFACTURED IN THE USA IN OUR SHOP - CHECK BEFORE BUYING, THERE IS A DIFFERENCE				
7C-8103116-A		- No Groove for Chrome	48-52	40.00 ea.
1C-8103110		- With Groove for Chrome	51-52	40.00 ea.
BAAA-8103110-A	(D)	- No Groove for Chrome	53-55	40.00 ea.
B6C-8103110-A	(D)	- No Groove for Chrome	56	40.00 ea.
B6C-8103110-B	(D)	- With Groove for chrome	56	40.00 ea.
52388-SSGM		<u>Garnish Molding Screws</u> - Stainless Steel - Set of 6	53-56	1.50 set

COWL VENT GASKET

PART #	PIC	DESCRIPTION	YEAR	PRICE
7C-8102330-A		Cowl Vent Gasket	48-52	8.00 ea.
BAAA-8102330-A	(E)	Cowl Vent Gasket	53-56	8.00 ea.

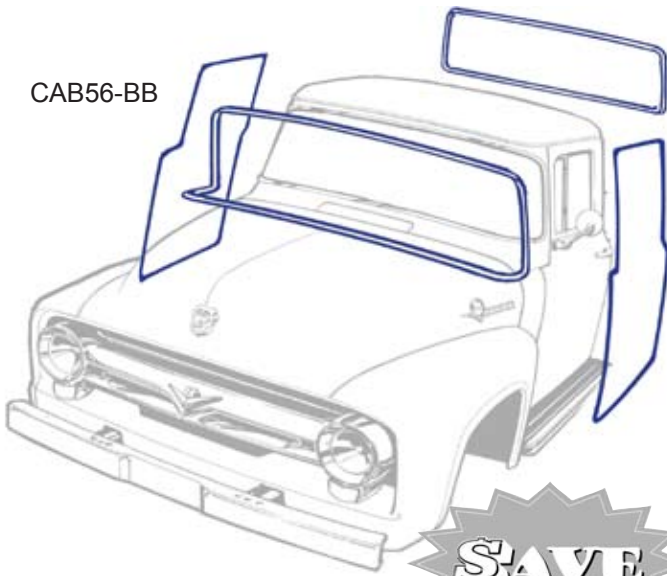
BACK WINDOW RUBBER

PART #	PIC	DESCRIPTION	YEAR	PRICE
WE MAKE THEM USING THE BEST RUBBER ON THE MARKET - CHECK BEFORE BUYING				
7C-8142084-A		<u>Back Window Rubber</u>	48-50	22.50 ea.
1C-8142084		<u>Back Window Rubber</u>	51-52	25.00 ea.
BAAA-8142084	(F)	<u>Back Window Rubber</u> - Use w/o wrap around back glass	53-56	25.00 ea.
B6C-8142084-A		<u>Back Window Rubber</u> - Use w/ wrap-around back glass - has groove for chrome	56	40.00 ea.
7C-8242084-P		<u>Panel Rear Door Window Rubber</u>	48-52	55.00 pr.
BAAA-8242084-P		<u>Panel Rear Door Window Rubber</u>	53-56	55.00 pr.

CAB WEATHERSTRIP KIT

PART #	PIC	DESCRIPTION	YEAR	PRICE
Includes Windshield Seal, Rear Window Seal & Door Seals				
CAB48-A		All - No Chrome	48-50	99.00 kit
CAB51-A		All - No Chrome	51-52	102.00 kit
CAB51-B		Windshield w Groove for Chrome	51-52	102.00 kit
CAB53-B		All - No Chrome	53-56	102.00 kit
CAB56-A		All - No Chrome	56	110.00 kit
CAB56-B		Windshield w/ Chrome Groove	56	110.00 kit
CAB56-BB		Big Back Window - All w/ Chrome Groove	56	115.00 kit

CAB56-BB



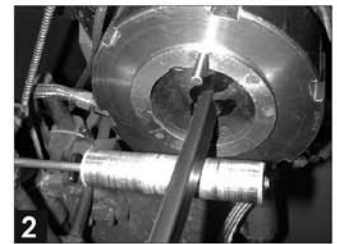
WEATHERSTRIP GLUE

PART #	PIC	DESCRIPTION	YEAR	PRICE
C0AZ-19554-A		- comes in a tube		10.00 ea.



We're quick to point out that quality comes standard in all of our weather stripping!

Our rubber extrusion machine (1) is capable of producing 25,000 feet of sponge rubber weather stripping a day. The molten sponge rubber is injected and pulled through a mold that replicates the cross section shape. (2) Then it's pulled through a curing, cleansing, & cooling bathes. It's later used to produce specific door or trunk weatherstripping.



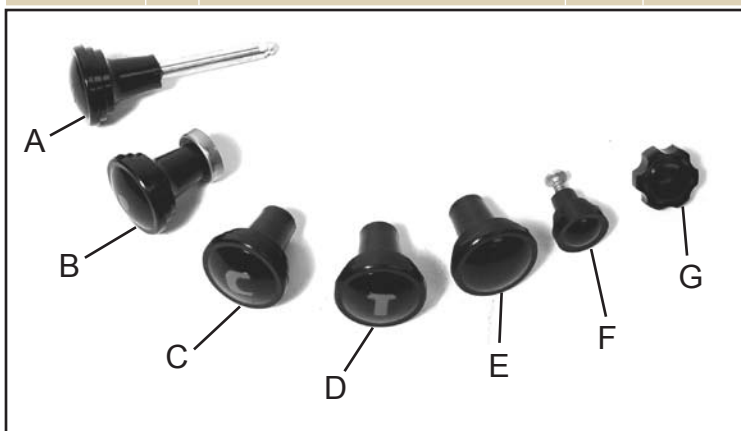
Compare Our **Quality** 
MADE IN THE U.S.A.



www.dennis-carpenter.com

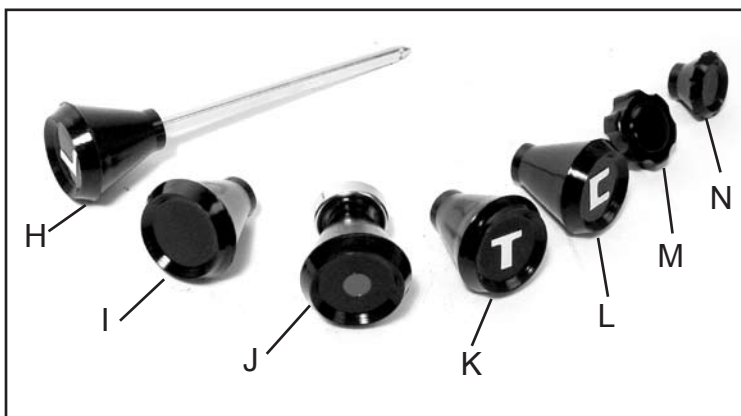
DASH KNOBS - 48-50

PART #	PIC	DESCRIPTION	YEAR	PRICE
Reproduced exactly as original - Manufactured on our molds in the U.S.A.				
7C-11661	(A)	<u>Headlight Switch Knob w/ Shaft</u> - Black with red "L"	48-50	7.50 ea.
7C-15052	(B)	<u>Cigar Knob</u> - Black w/ red dot	48-50	5.50 ea.
7C-9703	(C)	<u>Choke Knob</u> - Black w/ red "C"	48-50	4.50 ea.
7C-9778	(D)	<u>Throttle Knob</u> - Black w/ red "T"	48-50	4.50 ea.
7C-9700	(E)	<u>Heater Blower Motor, Air, Defrost & Temperature Control</u> - Black	48-50	4.50 ea.
7C-8101656	(F)	<u>Ashtray Knob</u> - Black	48-50	3.50 ea.
1C-17513-A	(G)	<u>Wiper Knob</u> - On/Off - Vacuum Wipers - Black	48-50	4.50 ea.



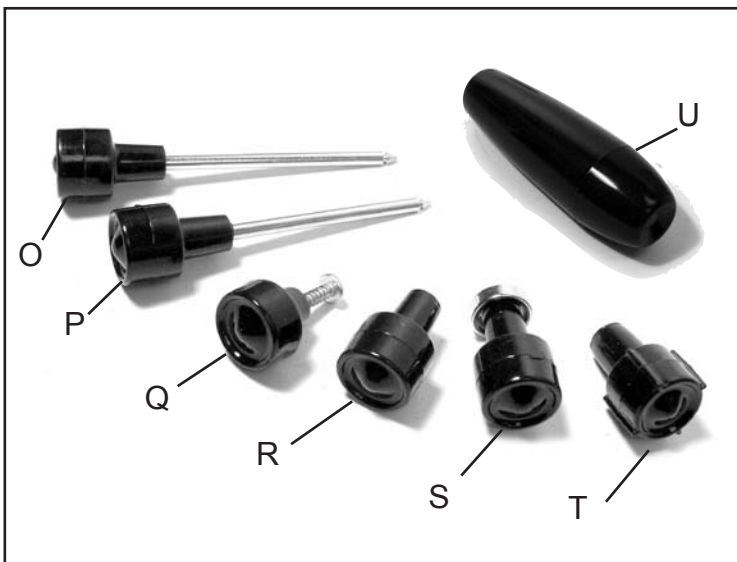
DASH KNOBS - 51-52

PART #	PIC	DESCRIPTION	YEAR	PRICE
Reproduced exactly as original - Manufactured on our molds in the U.S.A.				
1C-11661-A	(H)	<u>Headlight Switch Knob w/ Shaft</u> - Black w/ white "L"	51-52	7.50 ea.
1C-9700	(I)	<u>Heater Blower Motor, Air, Defrost & Temperature Control</u> - Black	51-52	4.50 ea.
1C-15052-A	(J)	<u>Cigar Knob</u> - Black w/ red dot	51-52	5.50 ea.
1C-9778-A	(K)	<u>Throttle Knob</u> - Black w/ white "T"	51-52	4.50 ea.
1C-9703-A	(L)	<u>Choke Knob</u> - Black w/ white "C"	51-52	4.50 ea.
<u>Wiper Knob - On/Off</u>				
1C-17513-A	(M)	- Vacuum Wipers - Black	51-52	4.50 ea.
2C-17513-A	(N)	- Electric Wipers - Black	51-52	5.00 ea.



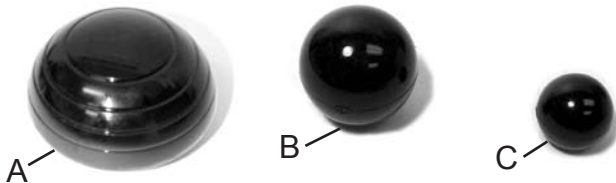
DASH KNOBS - 53-56

PART #	PIC	DESCRIPTION	YEAR	PRICE
Reproduced in Black exactly as original Manufactured on our molds in the U.S.A.				
BAAA-11661	(O)	<u>Headlight Switch Knob w/ Shaft</u>	53-54	7.50 ea.
B6C-11661	(P)	<u>Headlight Switch Knob w/ Shaft</u>	55-56	7.50 ea.
BAAA-8101656	(Q)	<u>Glove Box Door Knob</u>	53-56	3.50 ea.
BAAA-8101656	(Q)	<u>Ashtray Knob</u>	53-56	3.50 ea.
BAAA-9700	(R)	Choke Knob, throttle knob, defroster knob Fits recirculating & fresh air heater blower switch knob - recirculating & fresh air heater temperature control knob fresh air pull knob, pull knob for fresh air heater	53-56	4.00 ea.
BAAA-15052	(S)	<u>Cigar Knob</u>	53-56	4.50 ea.
BAAA-17513	(T)	<u>Wiper Knob</u>	53-56	4.50 ea.
B6C-7213	(U)	<u>Gear Shift Lever Knob</u> - for Column Shift	56-60	5.00 ea.
BAAA-8102145	(V)	<u>Cowl Vent Knob - w/ fastener</u>	53-56	4.50 ea.




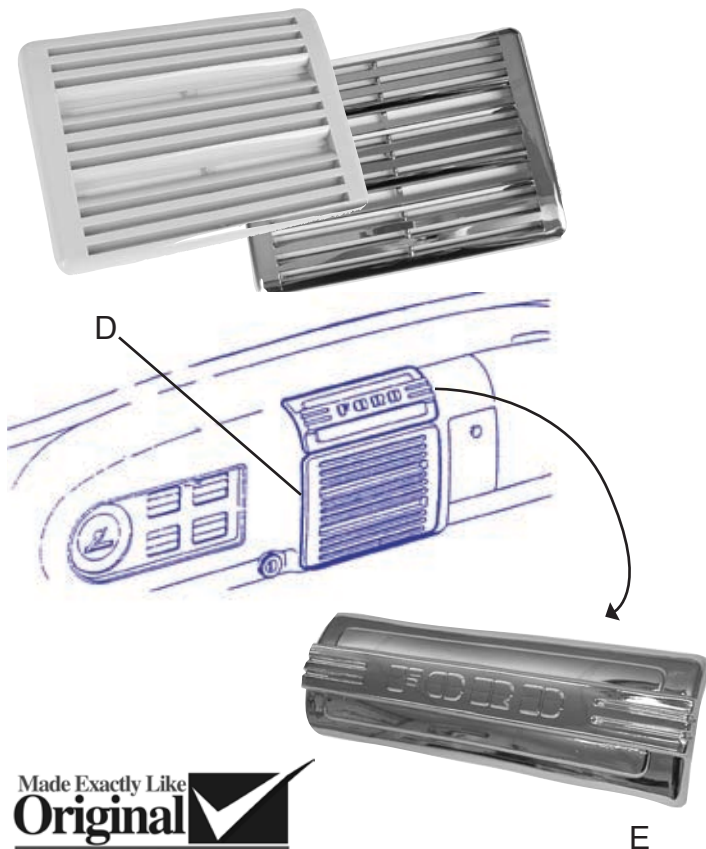
DASH KNOBS - 1948-56

PART #	PIC	DESCRIPTION	YEAR	PRICE
Reproduced in Black exactly as original Manufactured on our molds in the U.S.A.				
91C-7213	(A)	Gear Shift Knob for Floor Shift	39-52	10.00 ea.
7C-7213	(B)	Gear Shift Knob for Column Shift	48-55	5.00 ea.
1A-13305	(C)	Turn Signal Lever Knob	48-56	5.50 ea.



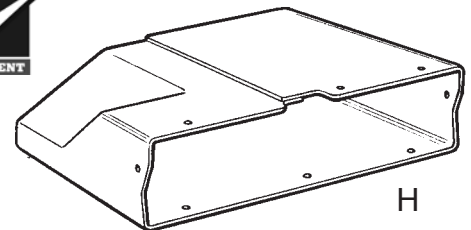
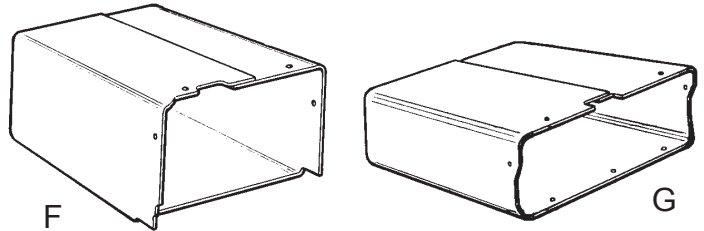
RADIO SPEAKER GRILLE & HOLE COVER

PART #	PIC	DESCRIPTION	YEAR	PRICE
Radio Speaker Grilles are Plastic and include Screws				
7C-8104352	(D)	Radio Speaker Grille - Beige Color	48-50	20.00 ea.
7C-8104352-CC		- Chrome Plated	48-50	30.00 ea.
Radio Hole Cover complete with Brackets to Hold Cover to Dash				
				
7C-8104371		Radio Hole Cover - Beige Color - Plastic	48-50	15.00 ea.
7C-8104371-CC	(E)	- Chrome Plated - Plastic	48-50	30.00 ea.



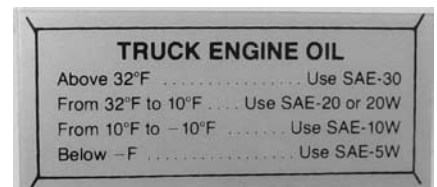
GLOVE BOX

PART #	PIC	DESCRIPTION	YEAR	PRICE
NOTE: All glove box liners come with installation screws & special clips in liner that the screws fit into.				
7C-8106010	(F)	Glove Box Liner	48-52	20.00 ea.
BAAA-8106010	(G)	Glove Box Liner	53-55	20.00 ea.
B6C-8106010	(H)	Glove Box Liner	56	20.00 ea.



GLOVE BOX DOOR PARTS

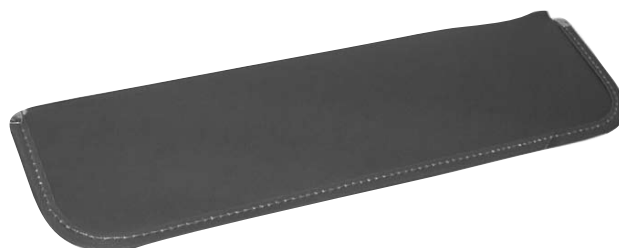
PART #	PIC	DESCRIPTION	YEAR	PRICE
BAAA-8101656	(I)	Glove Box Door Knob - Black	53-56	3.50 ea.
1A-7006066		Glove Box Door Bumpers	48-52	3.00 pr.
0A-16378	(J)	Glove Box Door Bumpers	53-60	2.50 pr.
8C-8106068	(K)	Glove Box Door Spring	48-52	5.00 ea.
DF-390	(L)	Glove Box Door Decal	53-60	4.00 ea.





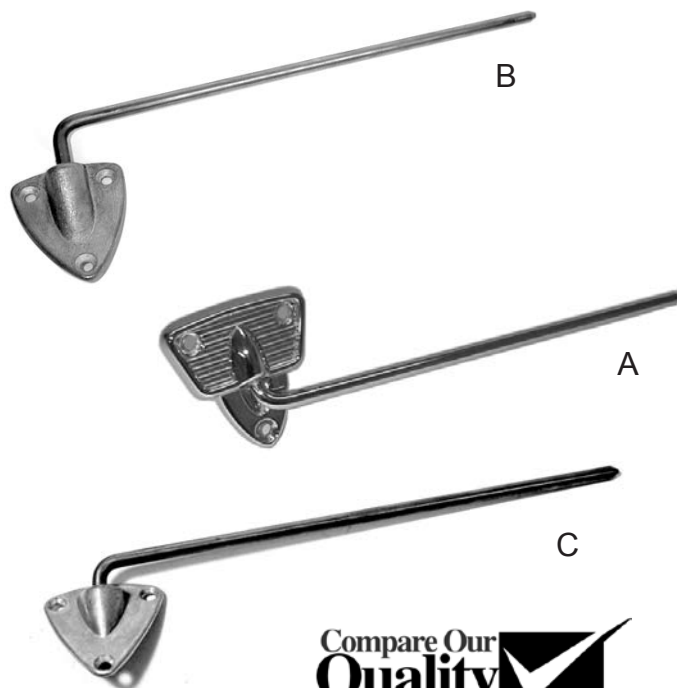
SUNVISOR

PART #	PIC	DESCRIPTION	YEAR	PRICE
7C-8104104-GR		Sunvisor - Gray	48-52	20.00 ea.
7C-8104104-BL		Sunvisor - Black	48-52	20.00 ea.
7C-8104104-BR		Sunvisor - Brown	48-52	20.00 ea.
BAAA-8104104		Sunvisor - Gray	53-55	20.00 ea.
B6C-8104104-AA		Sunvisor - Gray	56	20.00 ea.



SUNVISOR BRACKET & ARM

PART #	PIC	DESCRIPTION	YEAR	PRICE
B6C-8104144-AP		- Plain	56-60	17.50 ea.
B6C-8104144-CC	(A)	- Chrome	56-60	30.00 ea.
7C-8104144-PP	(B)	- Plain	48-52	17.50 ea.
7C-8104144-CC		- Chrome	48-52	30.00 ea.
BAAA-8104144-PP	(C)	- Plain	53-55	17.50 ea.
BAAA-8104144-CC		- Chrome	53-55	30.00 ea.



TRANSMISSION COVER & FLOOR SEAL

PART #	PIC	DESCRIPTION	YEAR	PRICE
7C-8112125-S		<u>Transmission Cover to Floor Seal</u> - Cork & Rubber - 3 pieces	48-52	17.50 kit
7C-8112130		<u>Top of Transmission to Cover Seal</u> - Floor Shift Only	48-52	6.00 ea.

ACCELERATOR PEDAL ROD SEALS

PART #	PIC	DESCRIPTION	YEAR	PRICE
7C-8112177		Accelerator Pedal Rod to Floor Seal	48-52	22.50 ea.



TRANSMISSION COVER

PART #	PIC	DESCRIPTION	YEAR	PRICE
BAAA-8112108-A		Transmission Floor Cover	53-56	60.00 ea.
7C-8112108-C		Transmission Cover - Metal	48-52	120.00 ea.

FLOOR MATS

PART #	PIC	DESCRIPTION	YEAR	PRICE
You Cut Holes for Floor Shifts				
7C-8113000		Front Floor Mat - No Jute Backing	48-52	75.00 ea.
BAAA-8113000	(D)	Front Floor Mat - No Jute Backing	53-56	75.00 ea.

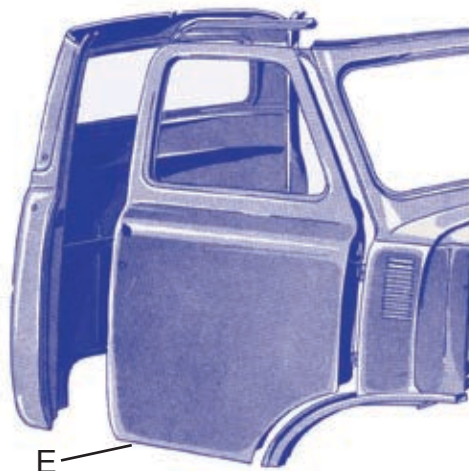


FLOOR SHIFTER PARTS

PART #	PIC	DESCRIPTION	YEAR	PRICE
99A-7242-B		<u>Gear Shift Boot</u> - black	40-52	15.00 ea.
91C-7213		<u>Gear Shift Knob</u> - Black - for 3 spd floor	39-52	12.50 ea.
BB-7213-A		<u>Gear Shift Lever Knob</u> - Black - 3 spd heavy duty trans. - 4 spd trans. - F100-700	48-52 29-58	4.00 ea.

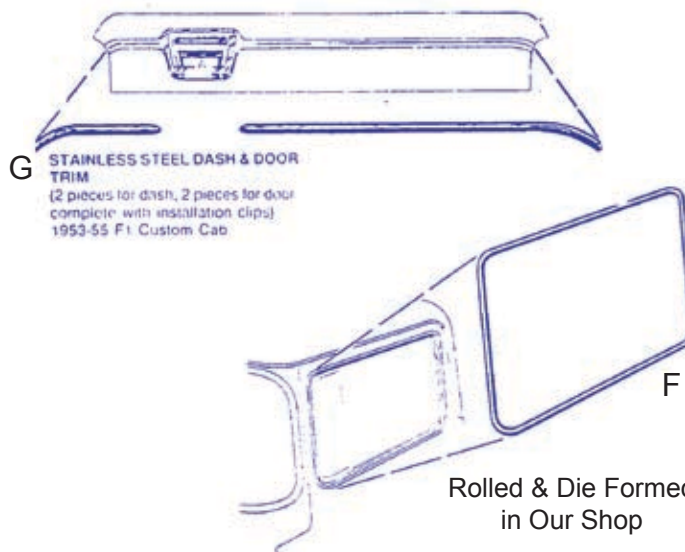
DOOR SHELLS

PART #	PIC	DESCRIPTION	YEAR	PRICE
Door Shell does NOT include hardware, hinges, weather stripping or inspection plate. Must be shipped by Truck. There is a \$75 dollar crating fee.				
BAAA-8120122-A	(E)	<u>Door Shell</u> - F100-650 - RH	53-55	500.00 ea.
BAAA-8120123-A		- F100-650 - LH	53-55	500.00 ea.
BAAA-8121122-A		<u>Door Inspection Plate</u> - Metal - F100-650	53-56	60.00 ea.



DOOR & DASH STAINLESS TRIM

PART #	PIC	DESCRIPTION	YEAR	PRICE
B6C-8120910-PR	(F)	<u>Stainless Steel Trim</u> - for outside door around window opening - w/ installation clips - Custom Cab	56	100.00 pr.
B6C-8120915-S		<u>Door Trim Installation Clips</u> - Stainless - not like original Grind slot into stainless to use - set of (22) pieces	56	5.00 set
BAAA-8120960-S	(G)	<u>Dash & Door Stainless Trim</u> - Includes intallation clips	53-55	60.00 set



G STAINLESS STEEL DASH & DOOR TRIM
(2 pieces for dash, 2 pieces for door complete with installation clips)
1953-55 F1 Custom Cab

F
Rolled & Die Formed
in Our Shop

VENT WINDOW SEALS

PART #	PIC	DESCRIPTION	YEAR	PRICE
7C-8121448-PR	(A)	<u>Vent Window Rubber Seal</u> - w/ fasteners	48-52	70.00 pr.
BAAA-8121448-PR	(A)	<u>Vent Window Rubber Seal</u> - no Fasteners	53-55	70.00 pr.
B6C-8121448-PR	(A)	<u>Vent Window Rubber Seal</u> - no fasteners	56	70.00 pr.

BACK EDGE OF VENT WINDOW SEALS

PART #	PIC	DESCRIPTION	YEAR	PRICE
7C-8121450		<u>Back Edge of Vent Window Seal</u> - Rubber Only	48-52	3.00 pr.
7C-8121450-PR	(E)	<u>Back Edge of Vent Window Seal</u> - with rivots - Exact of Original (Included on complete division bar assemblies)	48-52	17.50 pr.
BAAA-8121450-PR	(B)	<u>Back Edge of Vent Window Seal</u> - with rivots - Exact of Original (Included on complete division bar assemblies)	53-55	17.50 pr.
B6C-8121450-PR	(B)	<u>Back Edge of Vent Window Seal</u> - with rivots - Exact of Original (Included on complete division bar assemblies)	56	17.50 pr.

DOOR GLASS ANTI-RATTERS & RUNS - 1956

PART #	PIC	DESCRIPTION	YEAR	PRICE
7C-8121462-A	(B)	<u>Door Glass Lift Channel</u> - RH or LH - F-100-800	48-52	20.00 ea.
B5C-8121458-A	(H)	<u>Door Glass Lift Channel</u> - RH or LH - F-100 - 800	53-55	20.00 ea.
B6C-8121458-A	(G)	<u>Door Glass Lift channel</u> - RH	56	20.00 ea.
B6C-8121459-A		- LH	56	20.00 ea.
8A-7021478		<u>Door Glass Lift Channel to Glass Tape Kit</u>		3.00 kit

DOOR GLASS ANTI-RATTLERS

PART #	PIC	DESCRIPTION	YEAR	PRICE
7C-8121452-SET	(A)	<u>Window Anti-Rattler Set</u> - w/Black Bead - For Both Doors - w/ installation clips	48-52	30.00 set
BAAA-8121452-PR	(G)	<u>Door Glass Anti-Rattler</u> - w/ Stainless Bead - w/ clips installed - Does one door only	53-55	18.00 pr.
B6C-8121452-PR	(F)	<u>Door Glass Anti-Rattler</u> - w/ Stainless Bead - w/ clips installed - Does one door only	56	18.00 pr.

DOOR GLASS RUNS

PART #	PIC	DESCRIPTION	YEAR	PRICE
7C-8121555	(C)	<u>Door Glass Run</u> - complete w/ clips installed - Does one door only	48-52	10.00 ea.
B4C-8121554	(I)	<u>Door Glass Run</u> - w/ Stainless Bead - w/ clips installed - Does one door only	53-55	30.00 ea.
B6C-8121508-A	(H)	<u>Door Glass Run</u> - w/ Stainless Bead - w/ clips installed - Does one door only	56	22.50 ea.

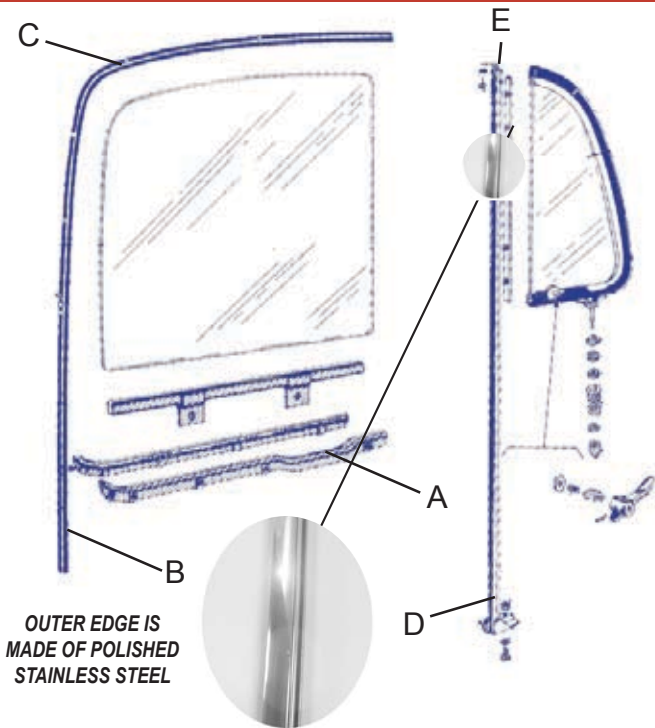
COMPLETE DIVISION BAR ASSEMBLIES

All of our Complete Division Bar Assemblies come with Brackets & Back Edge of Vent Window Seal. Ready to Install - THE BEST ON THE MARKET! -

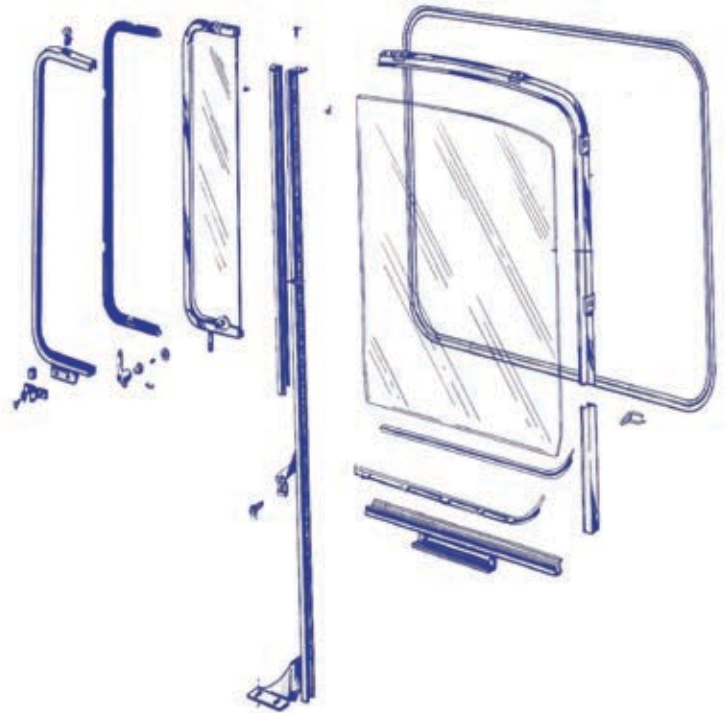
PART #	PIC	DESCRIPTION	YEAR	PRICE
7C-8122296-CA	(D)	<u>Division Bar Assembly</u> - RH	48-52	30.00 ea.
7C-8122297-CA		- LH	48-52	30.00 ea.
BAAA-8122296-CA	(J)	<u>Division Bar Assembly</u> - RH	53-55	30.00 ea.
BAAA-8122297-CA		- LH	53-55	30.00 ea.
B6C-8122296-CA	(I)	<u>Division Bar Assembly</u> - RH	56	30.00 ea.
B6C-8122297-CA		- LH	56	30.00 ea.



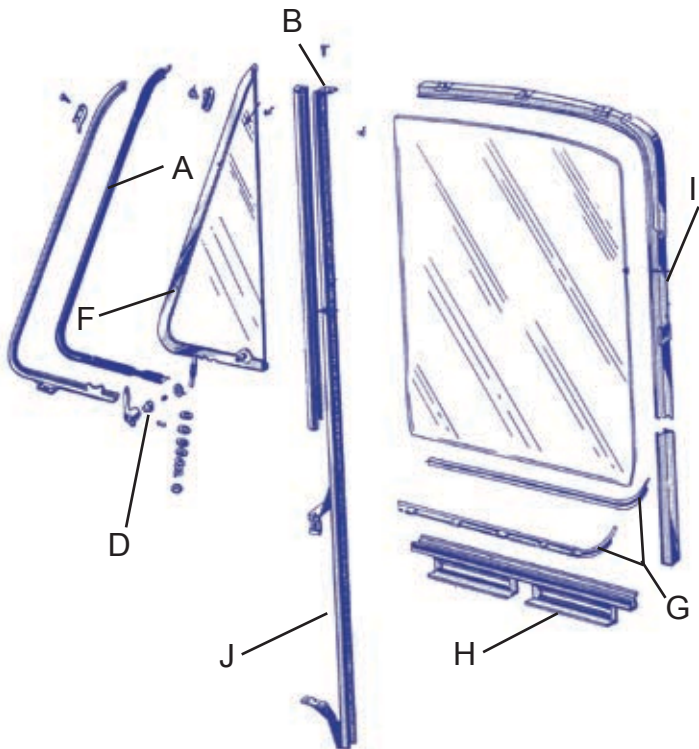
1948-52 DOOR GLASS RUN KIT



1956 DOOR GLASS RUN KIT



1953-55 DOOR GLASS RUN KIT



WINDOW ANTI-RATTLER KITS - 48-52

PART #	PIC	DESCRIPTION	YEAR	PRICE
7C-8121460-CA		Window Anti-Rattler Kit - Both Doors Includes: (1) 7C-8121452-SET (2) 7C-8121555 (1) 7C-8122296-CA (1) 7C-8122297-CA	48-52	100.00 kit

WINDOW ANTI-RATTLER KITS - 53-55

PART #	PIC	DESCRIPTION	YEAR	PRICE
BAAA-8121460-CA		Window Anti-Rattler Deluxe Kit Includes: (1) BAAA-8122296-CA (1) BAAA-8122297-CA (2) BAAA-8121452-PR (2) B4C-8121554	53-55	120.00 kit

WINDOW ANTI-RATTLER KITS - 1956

PART #	PIC	DESCRIPTION	YEAR	PRICE
B6C-8121460-CA		Window Anti-Rattler Kit Deluxe Kit Includes: (1) B6C-8122296-97-CA (2) B6C-8121452-PR (2) B6C-8121508-A	56	110.00 kit

THE BEST ON THE MARKET - CHECK BEFORE BUYING

DOOR GLASS ANTI-RATTLERS & RUNS-48-52

PART #	PIC	DESCRIPTION	YEAR	PRICE
*7C-8121452-SET	(A)	<u>Window Anti-Rattler Set</u> - For Both Doors - w/ installation clips	48-52	30.00 set
8A-7021478	(K)	<u>Door Glass Channel to Glass Tape Kit</u>		3.00 kit
7C-8121462-A	(B)	<u>Door Glass Lift Channel</u> - RH or LH - F-100-800	48-52	20.00 ea.
*7C-8121555	(C)	<u>Door Glass Run</u> - complete w/ clips installed	48-52	10.00 ea.

Complete with Brackets & Back Edge of Vent Window Seal Assembled. Ready to Install - THE BEST ON THE MARKET! -

PART #	PIC	DESCRIPTION	YEAR	PRICE
*7C-8122296-CA		<u>Complete Division Bar Assembly</u> - RH	48-52	30.00 ea.
*7C-8122297-CA	(D)	- LH	48-52	30.00 ea.

*INCLUDED INSIDE COMPLETE ANTI RATTLER KIT BELOW

WINDOW ANTI-RATTLER KITS - 48-52

PART #	PIC	DESCRIPTION	YEAR	PRICE
7C-8121460-CA		<u>Window Anti-Rattler Kit</u> - Both Doors Includes: (1) 7C-8121452-SET (2) 7C-8121555 (1) 7C-8122296-CA (1)7C-8122297-CA	48-52	100.00 kit

VENT WINDOW SEALS - 48-52

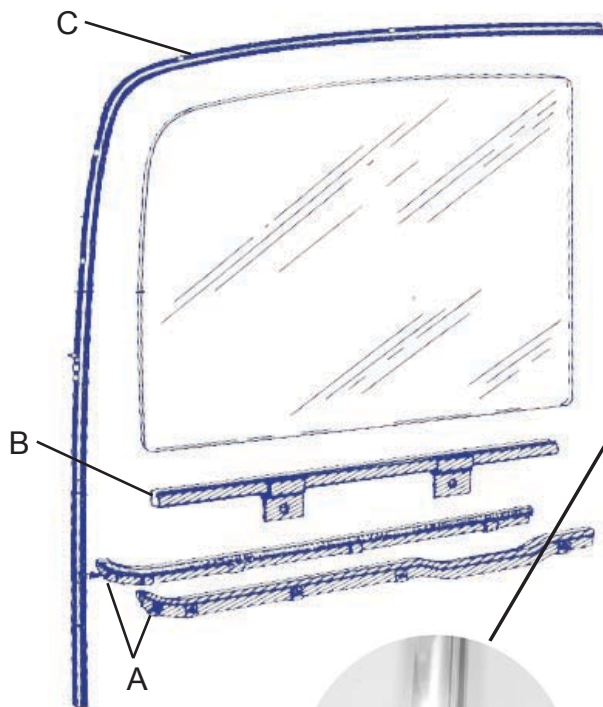
PART #	PIC	DESCRIPTION	YEAR	PRICE
7C-8121448-PR		<u>Vent Window Rubber Seal</u> - w/ fasteners	48-52	70.00 pr.
7C-8121450		<u>Back Edge of Vent Window Seal</u> - Rubber Only	48-52	3.00 pr.
7C-8121450-PR	(E)	<u>Back Edge of Vent Window Seal</u> - Rubber molded over metal just like the original - Comes on complete division bars - w/ fasteners	48-52	17.50 pr.

VENT WINDOW HANDLES & SHAFT - 48-52

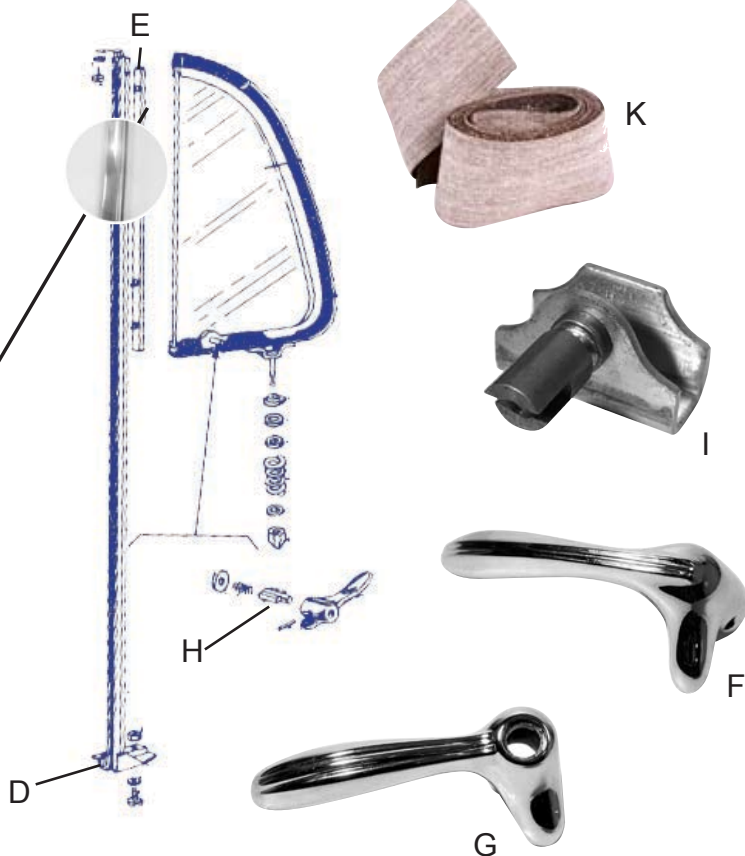
PART #	PIC	DESCRIPTION	YEAR	PRICE
		<u>Vent Window Handle</u>		
78-7022916	(F)	- RH	48-50	25.00 ea.
78-7022917		- LH	48-50	25.00 ea.
78-7022916-PR		- RH & LH - Buy a Pair!	48-50	45.00 pr.
		<u>Vent Window Handle w/ NO Button</u>		
8M-7022916	(G)	- RH	51-52	25.00 ea.
8M-7022917		- LH	51-52	25.00 ea.
8M-7022916-PR		- RH & LH - Buy a Pair!	51-52	45.00 pr.
8A-7022920-S	(H)	<u>Vent Window Handle Button Kit for One Handle</u>	51-60	5.00 kit

Vent Window Handle Shaft goes where Handle mounts.

PART #	PIC	DESCRIPTION	YEAR	PRICE
		<u>Vent Handle Shaft</u>		
7C-7022938		- RH or LH	48-50	15.00 ea.
01A-7022938	(I)	- RH or LH	51-55	15.00 ea.



**OUTER EDGE IS
MADE OF POLISHED
STAINLESS STEEL**



VENT WINDOW SEALS - 1953-55

PART #	PIC	DESCRIPTION	YEAR	PRICE
BAAA-8121448-PR	(A)	<u>Vent Window Rubbers</u> - No Fasteners	53-55	70.00 pr.
BAAA-8121450-PR	(B)	Back Edge of Vent Window Seal - Rubber Molded over metal like original - Comes on complete division bars w/ fasteners	53-55	17.50 pr.

VENT WINDOW HANDLES & SHAFT - 53-55

PART #	PIC	DESCRIPTION	YEAR	PRICE
		<u>Vent Window Handle</u> (Button Sold Separately)		
BAAA-8122916	(C)	- RH	53-55	25.00 ea.
BAAA-8122917		- LH	53-55	25.00 ea.
BAAA-8122916-PR		- RH & LH	53-55	45.00 pr.
8A-7022920-S	(D)	<u>Vent Window Handle Button Kit for One Handle</u>	51-60	5.00 kit

Vent Window Handle Shaft goes where Handle mounts.

01A-7022938	(E)	RH or LH	51-55	15.00 ea.
-------------	-----	----------	-------	-----------

VENT WINDOW FRAME- 53-55

PART #	PIC	DESCRIPTION	YEAR	PRICE
		<u>Vent window frame Assy.</u>		
BAAA-8121407-B		- Stainless w/ pivots - LH	53-55	110.00 ea.
BAAA-8121406-B	(F)	- Stainless w/ pivots - RH	53-55	110.00 ea.
		<u>Lower Vent Window Frame Pivot Assembly</u>		
BAAA-8121408-R	(K)	- Right side	53-55	42.50 ea.
BAAA-8121408-L		- Left side	53-55	42.50 ea.

DOOR GLASS ANTI-RATTLERS & RUNS- 53-55

PART #	PIC	DESCRIPTION	YEAR	PRICE
*BAAA-8121452-PR	(G)	<u>Door Glass Anti-Rattler</u> - w/ Stainless Edge - w/ clips installed - Does one door only	53-55	18.00 pr.
B5C-8121458-A	(H)	<u>Door Glass Lift Channel</u> - RH or LH - F-100 - 800	53-55	20.00 ea.
8A-7021478		<u>Door Glass Channel to Glass Tape Kit</u>		3.00 kit
*B4C-8121554	(I)	<u>Door Glass Run</u> - w/ Stainless Edge - w/ clips installed - Does one door only	53-55	30.00 ea.

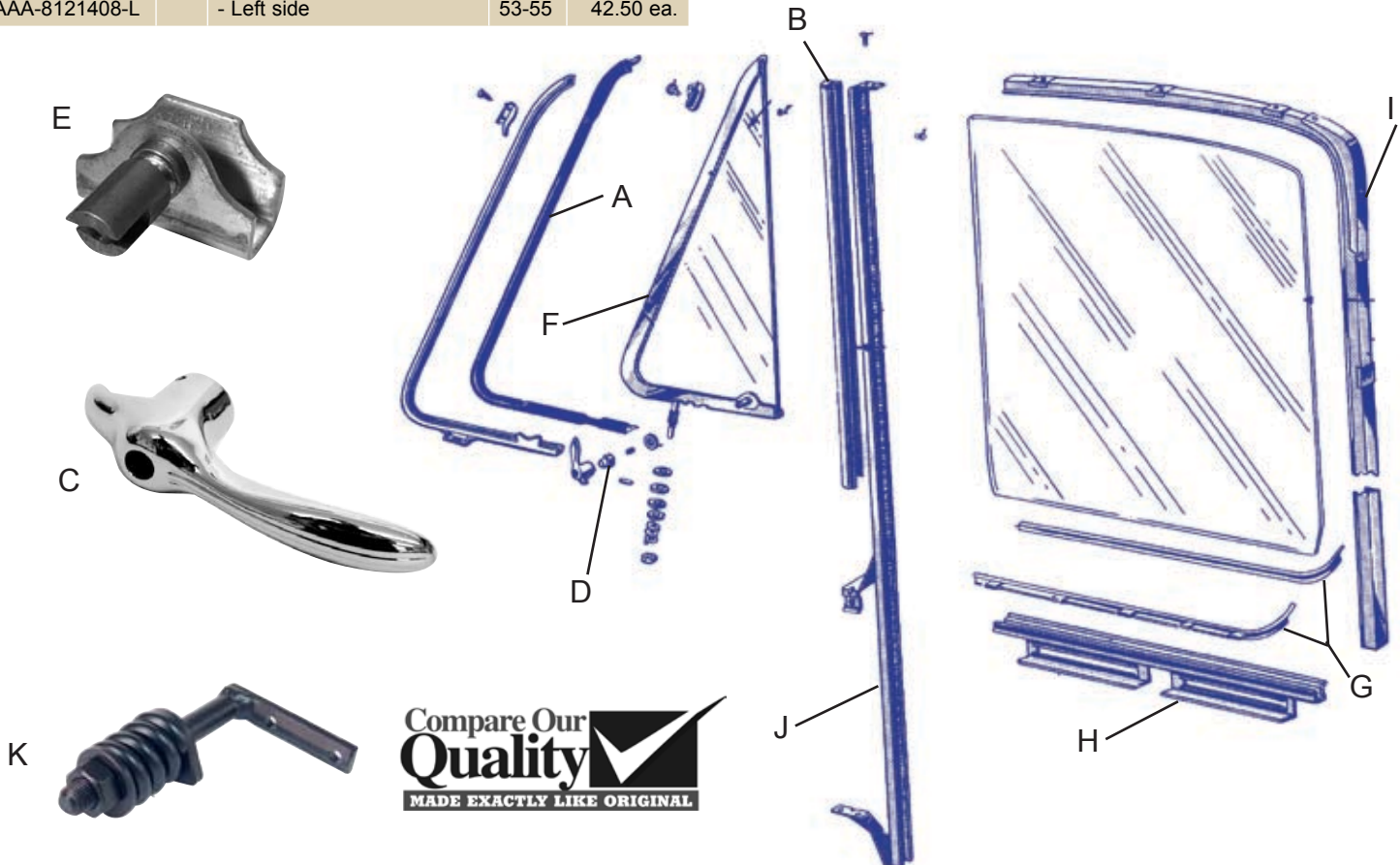
NOTE: ALL OF OUR COMPLETE DIVISION BARS HAVE A POLISHED STAINLESS STEEL BACK EDGE OF VENT WINDOW SEAL INSTALLED- THE BEST ON THE MARKET

*BAAA-8122296-CA	(J)	<u>Division Bar Assembly</u>	53-55	30.00 ea.
*BAAA-8122297-CA		- RH	53-55	30.00 ea.
		- LH		

*INCLUDED INSIDE COMPLETE ANTI RATTLER KIT BELOW

WINDOW ANTI-RATTLER KITS - 53-55

PART #	PIC	DESCRIPTION	YEAR	PRICE
BAAA-8121460-CA		Window Anti-Rattler Deluxe Kit Includes: (1) BAAA-8122296-CA (1) BAAA-8122297-CA (2) BAAA-8121452-PR (2) B4C-8121554	53-55	120.00 kit



VENT WINDOW SEALS - 1956

PART #	PIC	DESCRIPTION	YEAR	PRICE
B6C-8121448-PR	(A)	<u>Vent Window Seal</u> - Made in U.S.A. - no fasteners	56	70.00 pr.
B6C-8121450-PR	(B)	<u>Back Edge of Vent Window Seal w/ fasteners</u> - Rubber Molded over metal - Comes on complete division bars	56	17.50 pr.

VENT WINDOW HANDLES & SHAFTS- 56-60

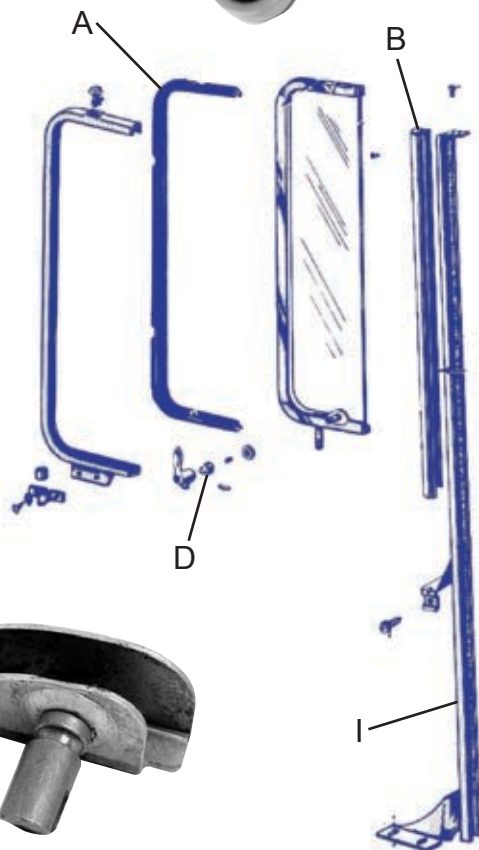
PART #	PIC	DESCRIPTION	YEAR	PRICE
A9AZ-7022916-A	(C)	<u>Vent Window Handle</u> - RH - w/ Lock Button	56-60	30.00 ea.
A9AZ-7022917-A	(C)	- LH - w/ Lock Button	56-60	30.00 ea.
8A-7022920-S	(D)	<u>Vent Window Handle Button Kit for One Handle</u>	51-60	5.00 kit

Vent Window Handle Shaft goes where Handle mounts.

8A-7022938-B	(E)	Vent Handle Shaft -RH	56-60	15.00 ea.
8A-7022939-B		Vent Handle Shaft -LH	56-60	15.00 ea.



C



E

DOOR GLASS ANTI-RATTERS & RUNS - 1956

PART #	PIC	DESCRIPTION	YEAR	PRICE
*B6C-8121452-PR	(F)	<u>Door Glass Anti-Rattler</u> - w/ Stainless Edge - complete w/ clips installed - does one door only	56	18.00 pr.
B6C-8121458-A	(G)	<u>Door Glass Lift channel</u> - RH - F-100 - 800	56	20.00 ea.
B6C-8121459-A	(G)	- LH - F-100 - 800	56	20.00 ea.
8A-7021478		<u>Door Glass Channel to Glass Tape Kit</u>		3.00 kit
*B6C-8121508-A	(H)	<u>Door Glass Run</u> - w/ Stainless Edge - complete w/ clips installed - Does one door only	56	22.50 ea.

NOTE: ALL OF OUR COMPLETE DIVISION BARS HAVE A POLISHED STAINLESS STEEL BACK EDGE OF VENT WINDOW SEAL INSTALLED - THE BEST ON THE MARKET - BRACKETS INCLUDED

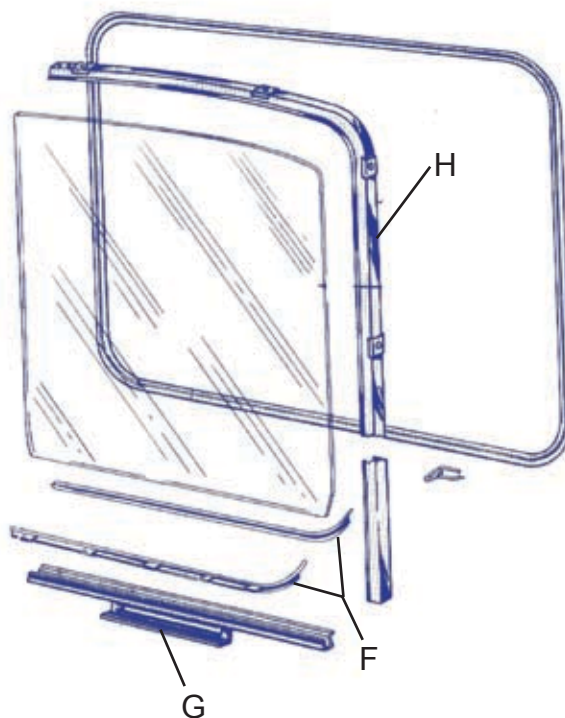
*B6C-8122296-CA	(I)	<u>Division Bar Assembly</u> - RH	56	30.00 ea.
*B6C-8122297-CA	(I)	- LH	56	30.00 ea.

*INCLUDED INSIDE COMPLETE ANTI RATTLER KIT BELOW

WINDOW ANTI-RATTLER KITS - 1956

PART #	PIC	DESCRIPTION	YEAR	PRICE
B6C-8121460-CA		Window Anti-Rattler Kit Deluxe Kit Includes: (1) B6C-8122296-97-CA (2) B6C-8121452-PR (2) B6C-8121508-A	56	110.00 kit

THE BEST ON THE MARKET - CHECK BEFORE BUYING





Jason

Duane



813794 Silver Eagle trans. belt adjustment bolt (1962-66 OMC engine)

Make kick starting your engine

EASIER



H-875135 Compression release button. Installing this device into the head allows you to reduce cylinder compression which makes kick starting easier. Push in the button, kick start your engine and the button pops out automatically after it starts bringing compression back to normal.



878383 Brake shoes for 1960-65 scooters. 1 pair with installed linings.

RESTORE YOUR SCOOTER TO LIKE NEW Condition

with parts from Dennis Carpenter

ORDER A FREE PARTS CATALOG TODAY



1-800-763-4948



NEW DC tee's

A REAL STEAL
\$10.00 ea
 plus tax and shipping
 add \$2.50 for XXL & XXXL

available on black shirts only

- CUSHT-M medium
- CUSHT-L large
- CUSHT-XL extra large
- CUSHT-XXL extra, extra large
- CUSHT-XXXL extra, extra, extra large



DC logo with pin stripes centered on the front



Order Parts or Catalog

1-800-763-4948

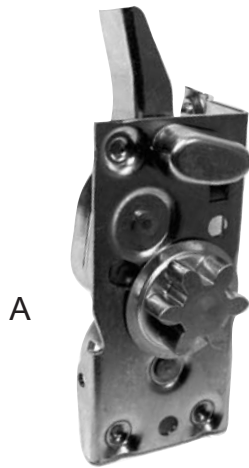
4140 Concord Parkway So., Concord, NC 28027

Cushman Parts Information 704-782-1237
 FAX: 704-786-8180
 E Mail: info@denniscarpentercushman.com

www.dennis-carpenter.com

DOOR LATCH ASSEMBLY (IN DOOR)

PART #	PIC	DESCRIPTION	YEAR	PRICE
		<u>Door Latch Assembly</u> - Imported - F100-350		
BAAA-8121813-A	(A)	- LH	53-55	100.00 ea.
BAAA-8121812-A		- RH	53-55	100.00 ea.
		<u>Door Latch Assembly</u> - Imported - F100-350		
B6C-8121813-B		- LH	56	100.00 ea.
B6C-8121812-B		- RH	56	100.00 ea.



A

DOOR LOCK & CYLINDER PARTS

PART #	PIC	DESCRIPTION	YEAR	PRICE
B2A-7021942-A		<u>Door Lock Cover</u> - with Spring - RH	53-60	10.00 ea.
B7A-7022075-A		<u>Door Lock Cover</u> <u>Operating Spring</u>	53-60	2.50 ea.
B7A-7021984-PR		<u>Door Lock Cylinders</u> - w/ key - Matched Pair	53-60	40.00 pr.
BAAA-7022050-S	(D)	<u>Matched Door & Ignition</u> <u>Cylinder & Key Set</u> Includes: (1) Ignition Cylinder (2) Door Lock Cylinder (2) Keys	53-60	50.00 set
B5A-7022023-A	(E)	<u>Door Lock Cylinder</u> <u>Retainer Clip</u>	53-56	5.00 ea.
B4C-8121971-A	(F)	<u>Door Lock Link</u> - Goes from door lock cylinder to the latch assembly	53-56	10.00 ea.



D



E



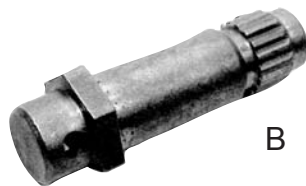
F

DOOR HANDLE SHAFT REPAIR KIT

PART #	PIC	DESCRIPTION	YEAR	PRICE
BAAA-8121818-RK	(B)	<u>Inside Door Handle</u> <u>Shaft Repair Kit</u> - Use when shaft is stripped where door handle installs	53-56	15.00 ea.
BAAA-8121818-R	(C)	<u>Inside Door Handle</u> <u>Shaft Assembly</u> - w/o arm	53-56	25.00 ea.



C



B

DOOR HINGE BOLTS

PART #	PIC	DESCRIPTION	YEAR	PRICE
		<u>Door Hinge to Body or Door Bolts</u>		
		- (12) per door		
20327-S8		- Individual	53-60	.75 ea.
20327-SK		- Set of (50)	53-60	22.00 set



DOOR HANDLES

48-56 Ford Truck

Quality Ford Restoration Parts

DOOR PARTS

PART #	PIC	DESCRIPTION	YEAR	PRICE
B-7022000	(G)	<u>Door Jam Bumper</u> - need (2) per door	48-52	2.00 ea.
B-7022840	(H)	<u>Door Hinge Pin</u> - has oil grooves - plated steel	48-52	2.00 ea.
B-7022840-SS		- Stainless Steel	48-52	4.00 ea.
B-7022840-L		- For use with Mirror	48-52	3.00 ea.
TL-100		Door Hinge Pin Puller	48-56	35.00 ea.

H

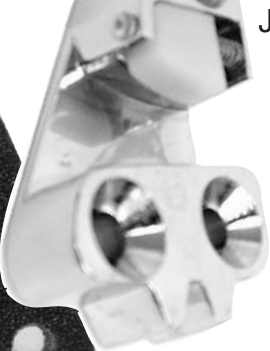


G

STRIKER PLATES & RELATED PARTS

PART #	PIC	DESCRIPTION	YEAR	PRICE
7C-8122010	(I)	<u>Striker Plate</u> - for door post	48-52	10.00 ea.
BAAA-8122008-A	(J)	<u>Striker Plate</u> - RH	53-55	20.00 ea.
BAAA-8122009-A		- LH	53-55	20.00 ea.
B6C-8122008		<u>Striker Plate</u> - RH	56	20.00 ea.
B6C-8122009		- LH	56	20.00 ea.
B6C-8122058-A	(K)	<u>Striker Plate Shims</u>	53-56	3.00 ea.
353382-S	(L)	<u>Bolt</u>	53-60	.50 ea.

K



I

OUTSIDE DOOR HANDLES

PART #	PIC	DESCRIPTION	YEAR	PRICE
7C-8122400-A		<u>Outside Door Handle</u> - RH	48-52	30.00 ea.
7C-8122401-A	(M)	- LH	48-52	30.00 ea.
B5C-8122400-A	(N)	<u>Outside Door Handle</u> <u>w/ push button</u> - Genuine Ford - w/ mounting hardware	53-56	60.00 ea.
B5C-8122401-A		- RH - LH	53-56	60.00 ea.
BAAA-8122400-B	(N)	<u>Outside Door Handle</u> <u>w/ Push Button</u> - Show Quality - w/ mounting hardware	53-60	40.00 ea.
BAAA-8122401-B		- RH	53-60	40.00 ea.
BAAA-8122400-PR		- LH	53-60	40.00 ea.
BAAA-8122405-S	(O)	<u>Outside Door Handle</u> <u>Shields</u> - Stainless	53-56	25.00 pr.
BAAA-8122454-A	(P)	<u>Door Handle Button</u>	53-60	15.00 ea.



M



N



P



O



OUTSIDE DOOR HANDLE PADS

PART #	PIC	DESCRIPTION	YEAR	PRICE
DOES 2 HANDLES				
7C-8122428		<u>Outside Door Handle Pads</u>	48-52	3.50 pr.
BAAA-8122428		<u>Outside Door Handle Pads</u> - (4) pieces	53-60	5.50 set
BAAA-8122478-A	(Q)	<u>Outside Door Handle</u> <u>Button Seal</u>	53-60	4.00 ea.



Q

INSIDE DOOR HANDLE

PART #	PIC	DESCRIPTION	YEAR	PRICE
7C-8122614	(A)	<u>Inside Door Handle</u> - Exact of Original	48-52	12.00 ea.
B5C-8122600-A	(B)	<u>Inside Door Handle</u> - w/ installing clip	53-55	12.00 ea.
B6C-8122600		<u>Inside Door Handle</u> - with installing screw	56	12.00 ea.
357550-S	(C)	<u>Door Handle & Window Crank Handle Installation Clip</u>	53-55	.50 ea.



**Compare Our
Quality** ✓
TRIPLE CHROME, LASTS LONGER

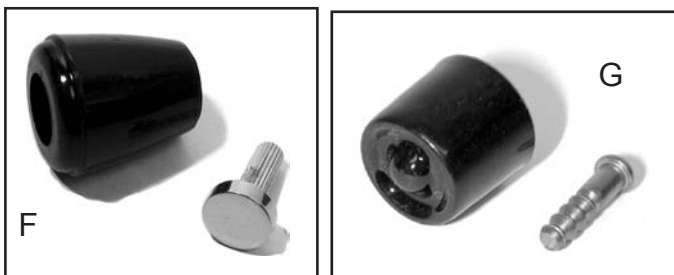
WINDOW CRANK HANDLES

PART #	PIC	DESCRIPTION	YEAR	PRICE
		<u>Window Crank Handle w/ Black Knob</u>		
7C-8123342	(D)	- Exact of Original	48-52	15.00 ea.
B5C-8123342	(E)	- Includes Installation Clip	53-55	15.00 ea.
B6C-8123342	(E)	- Includes Installation Screw	56	15.00 ea.
		<u>Window Crank Knob w/ Installation Pin</u>		
7C-8123341-S	(F)	- Black	48-52	5.50 ea.
BAAA-8123341	(G)	- Black	53-56	5.50 ea.
357550-S		<u>Door Handle & Window Crank Handle Installation Clip</u>	53-55	.50 ea.



**Made
EXACTLY
Like The Originals!**

**Compare Our
Quality** ✓
TRIPLE CHROME, LASTS LONGER



WINDOW CRANK & DOOR HANDLE ESCUTCHEONS

PART #	PIC	DESCRIPTION	YEAR	PRICE
7C-8122618	(H)	<u>Window Crank & Door Handle Escutcheon</u>	48-52	8.00 ea.
BAAA-8122618	(I)	<u>Window Crank & Door Handle Escutcheon</u> - Exact as Original - 2 pcs. rubber & Stainless for one handle only	53-55	8.00 ea.
		<u>Window Crank & Door Handle Escutcheon</u>		
B6C-8122618	(J)	- Stainless Steel (each)	56	6.00 ea.
B6C-8122618-SET		- Set of (4)	56	24.00 set



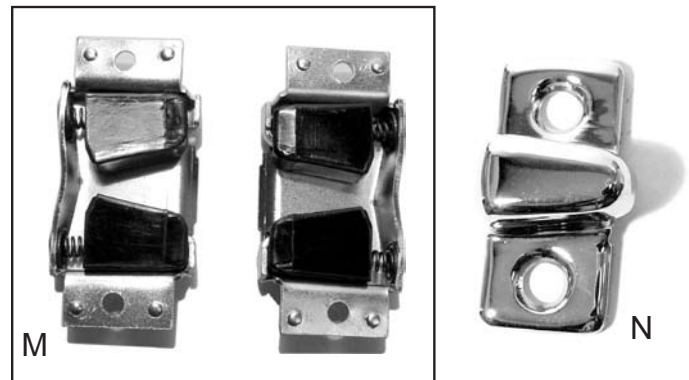
DOOR HINGE ASSEMBLY

PART #	PIC	DESCRIPTION	YEAR	PRICE
		<u>Upper or Lower Door Hinge Assembly - F100-350</u>		
BAAA-8122800-A		- RH	53-56	75.00 ea.
BAAA-8122801-A	(K)	- LH	53-56	75.00 ea.
	(L)	<u>Door Hinge Bolt</u> 5/16" x 24 x 9/16"		
20327-S8		- single bolt	53-60	.75 ea.
20327-SK		- set of 50	53-60	22.00 set



DOVE TAILS

PART #	PIC	DESCRIPTION	YEAR	PRICE
11A-7023000	(M)	<u>Dove Tail - Female</u>	48-52	20.00 pr.
11A-7023006	(N)	<u>Dove Tail - Male</u>	48-52	7.00 ea.

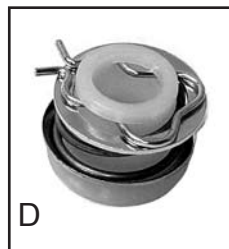


WINDOW REGULATORS

48-56 Ford Truck
Quality Ford Restoration Parts

WINDOW REGULATORS

PART #	PIC	DESCRIPTION	YEAR	PRICE
7C-8123200-A		<u>Window Regulator Assembly</u> - RH	48-52	75.00 ea.
7C-8123201-A	(A)	- LH	48-52	75.00 ea.
BAAA-8123200-A	(B)	<u>Window Regulator Assembly</u> - F100-600 - RH	53-55	90.00 ea.
BAAA-8123201-A		- LH	53-55	90.00 ea.
B6C-8123200-B		<u>Window Regulator Assembly</u> - F100-600 - RH	56	75.00 ea.
B6C-8123201-B	(C)	- LH	56	75.00 ea.
BA-7023240-A	(D)	<u>Roller Assembly for Window Regulator Arm</u> - Need (2) per door - Nylon	53-60	5.50 ea.



WINDOW REGULATOR SHAFT REPAIR KIT

PART #	PIC	DESCRIPTION	YEAR	PRICE
BAAA-8123205-S	(E)	<u>Window Regulator Shaft Repair Kit</u> Used when shaft is stripped where window crank installs	53-55	15.00 ea.
B6C-8123205-S	(F)	<u>Window Regulator Shaft Repair Kit</u> Used when shaft is stripped where window crank installs	56-60	15.00 ea.



DOOR ARM RESTS - SOLD IN PAIRS ONLY

PART #	PIC	DESCRIPTION	YEAR	PRICE
8C-8124141		<u>Door Arm Rest</u> (not covered)	48-50	65.00 pr.
BAAA-8124141	(G)	<u>Door Arm Rest</u> (not covered)	51-56	50.00 pr.



DOOR EMBLEMS

PART #	PIC	DESCRIPTION	YEAR	PRICE
B5C-8125622-PR		<u>Door Emblem - Custom Cab</u> Complete with Special Clips - painted	55-56	37.50 pr.



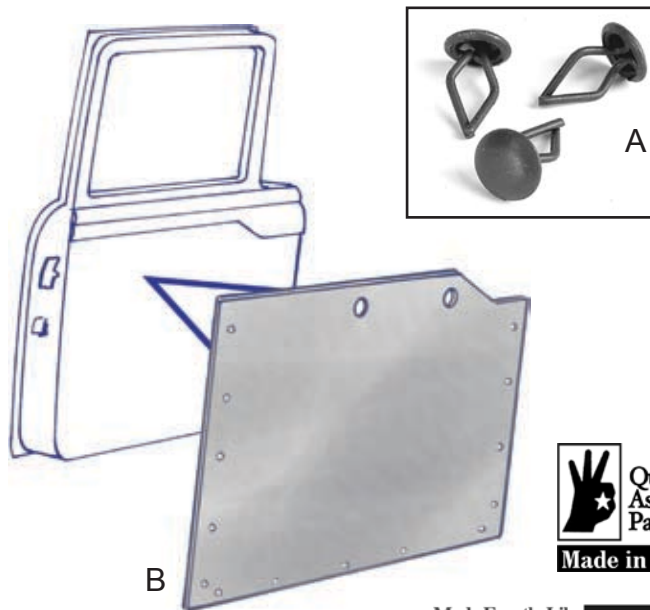
Made
EXACTLY
Like The Originals!

Compare Our
Quality
TRIPLE CHROME, LASTS LONGER



DOOR PANELS

PART #	PIC	DESCRIPTION	YEAR	PRICE
CLIPS NOT INCLUDED				
1C-8123890-BR		Door Panels - Brown	51-52	25.00 pr.
1C-8123890-BL		Door Panels - Black	51-52	25.00 pr.
1C-8123890-GR		Door Panels - Gray	51-52	25.00 pr.
BAAA-8123890-PR	(B)	Door Panels - Gray - 23.75" x 32.75"	53-55	40.00 pr.
B6C-8123890-PR		Door Panels - Gray - 24.25" x 32.75"	56	40.00 pr.
BAAA-8120018	(A)	Clips to hold door panels on - enough for both doors	53-56	7.00 set



NAME PLATES

PART #	PIC	DESCRIPTION	YEAR	PRICE
BF-7042528-A	(C)	Name Plate - Overdrive - with fasteners	53-56	25.00 ea.
BF-7042527-A	(D)	Name Plate - Fordomatic - with fasteners	55-56	25.00 ea.



HEADLINER KIT

PART #	PIC	DESCRIPTION	YEAR	PRICE
		<u>Headliner Kit</u> - Exactly as Original		
*7C-8151968-BR		- Brown - except panel	48-52	160.00 ea.
*7C-8151968-BL		- Black - except panel	48-52	160.00 ea.
*7C-8151968-GR		- Grey - except panel	48-52	160.00 ea.

NOTE: The above headliner kit will fit the 1951-52 by cutting the back window area larger. It is the exact size for the 1948-50. The roof headliner is sewn together, all other pieces have binding sewn on the edges. The kit includes: roof, left & right sides of back window, below back window center, left & right side of below back window & one pair of under dash kick panels. Total of eight pieces complete with screws, washers & clips.

B5C-8151968-AA		<u>Headliner</u> - Roof Only - Exactly as original - Gray - No Clips - 1 screw hole in roof	53-55	80.00 ea.
B6C-8151968		<u>Headliner</u> - Roof Only - Exactly as original - Gray - No clips - 2 screw holes in roof	56	80.00 ea.
B5C-8251968-P		<u>Headliner</u> - Panel Truck - No clips	53-55	100.00 ea.
B6C-8251968-P		- Panel Truck - No clips	56	100.00 ea.
B6C-8251968-BW		<u>Headliner</u> - Roof only - for a large back window - Gray - No clips	56	100.00 ea.
BAAA-8140374		<u>Below Rear Window Trim Strip</u> - 1 1/4" x 45" - for flat glass	53-56	12.00 ea.

TRIM PANEL - UNDER BACK WINDOW

PART #	PIC	DESCRIPTION	YEAR	PRICE
BAAA-8142414		Special pieces- below back window behind seat on all Custom Cabs	53-55	50.00 pr.

ROOF HEADLINER RUBBER & CLIPS

PART #	PIC	DESCRIPTION	YEAR	PRICE
BAAA-8150956	(E)	<u>Seal to Hold Roof Headliner</u> - 176"	53-56	16.50 ea.
BAAA-8150960	(F)	<u>Clip to Hold Roof Headliner</u> - individual Clip	53-56	.50 ea.
BAAA-8150960-S	(F)	- Set of 16	53-56	6.00 set

NOTE: When installing a new headliner, replacement of the headliner seal is suggested unless the original seal is in a flexible condition. A hard headliner seal can ruin a new headliner when installing.



UNDERDASH COWL KICK PANELS

PART #	PIC	DESCRIPTION	YEAR	PRICE
7C-8102340-BL	(A)	- Black	48-52	20.00 pr.
7C-8102340-BR		- Brown	48-52	20.00 pr.
7C-8102340-GR		- Grey	48-52	20.00 pr.
BAAA-8102340-PR		- Grey	53-55	20.00 pr.
B6C-8102340-PR		- Grey	56	20.00 pr.
7C-8102342		Special Clip to Install Cowl Kick Panels - Set of (6)	48-52	2.00 set

NOTE: clips are included when you order 1948-52 kick panels. All underdash cowl kick panels complete with material sewn on front edge.

Headliner

Left and right side of rear window

Below center of rear window

Left and right below rear window

SEAT BACK

FLOOR BOARD

Left and right below dash kick panels

Made Exactly Like **Original** ✓
NOT A GENERIC REPLACEMENT

REAR WINDOW

1956 F100 Headliner
Available in gray as original

Quality Assured Parts
Made in USA

1948-52 F100 Headliner Kits

STEEL FENDER REPAIR PANELS

PART #	PIC	DESCRIPTION	YEAR	PRICE
	(A)	Front Fender Lower Rear Repair Panel		
7C-16009		- RH	48-52	90.00 ea.
7C-16010		- LH	48-52	90.00 ea.

COWL PATCH PANELS - FRONT CAB CORNERS

PART #	PIC	DESCRIPTION	YEAR	PRICE
7C-8102054	(B)	- RH	48-52	60.00 ea.
7C-8102055		- LH	48-52	60.00 ea.
7C-8102054-PR		- RH & LH	48-52	120.00 pr.

FLOOR PANELS

PART #	PIC	DESCRIPTION	YEAR	PRICE
7C-8111106		- Front - Right Side - F-1	48-52	100.00 ea.
7C-8111107		- Front - Left Side - F-1	48-52	100.00 ea.
7C-8111106-PR		- Front - RH & LH - F-1	48-52	200.00 pr.

ROCKER PANELS

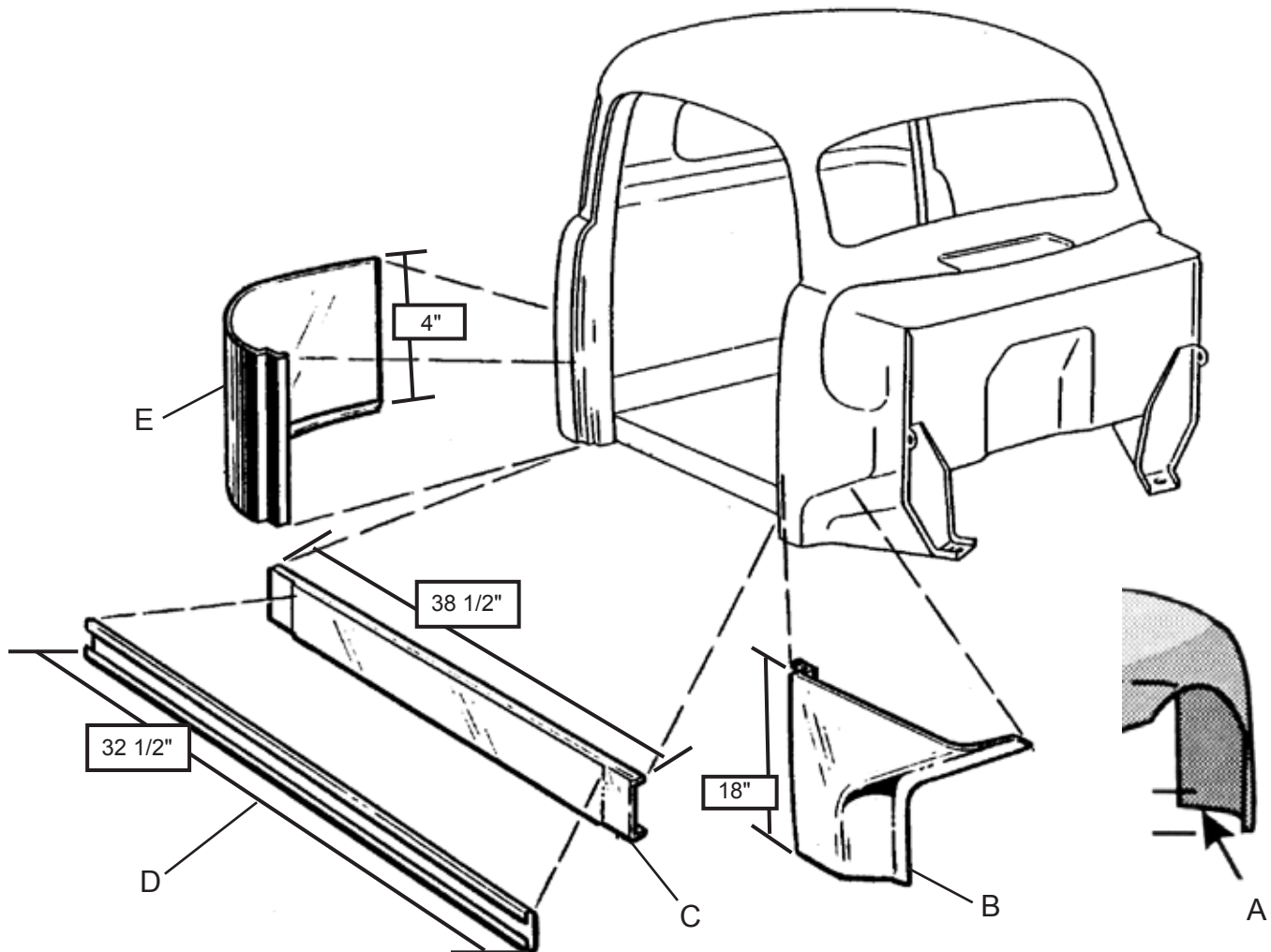
PART #	PIC	DESCRIPTION	YEAR	PRICE
8C-8110110-PR	(C)	Rocker Panel	48-52	42.50 pr.

LOWER DOOR SEAL RETAINER

PART #	PIC	DESCRIPTION	YEAR	PRICE
(Does NOT Include Rubber)				
7C-8120712-PR	(D)	Lower Door Seal Retainer on Rocker	48-52	7.00 pr.

REAR CAB CORNERS

PART #	PIC	DESCRIPTION	YEAR	PRICE
7C-8140302		- Right Side	48-52	45.00 ea.
7C-8140303		- Left Side	48-52	45.00 ea.
7C-8140302-PR	(E)	- Right & Left Side	48-52	90.00 pr.



COWL PATCH PANELS - FRONT CAB CORNERS

PART #	PIC	DESCRIPTION	YEAR	PRICE
BAAA-8102054		- RH - 21" tall	53-56	50.00 ea.
BAAA-8102055		- LH - 21" tall	53-56	50.00 ea.
BAAA-8102054-PR	(A)	- RH & LH - 21" tall	53-56	100.00 pr.
B5C-8102054		- RH - 32" tall	53-56	70.00 ea.
B5C-8102055		- LH - 32" tall	53-56	70.00 ea.
B5C-8102054-PR		- RH & LH - 32" tall	53-56	140.00 pr.

DOOR PILLAR REPLACEMENT

PART #	PIC	DESCRIPTION	YEAR	PRICE
With Lower Door Hinge Bucket Installed				
BAAA-8102042		- RH	53-56	50.00 ea.
BAAA-8102043		- LH	53-56	50.00 ea.
BAAA-8102042-PR	(C)	- RH & LH	53-56	100.00 pr.

ROCKER PANELS

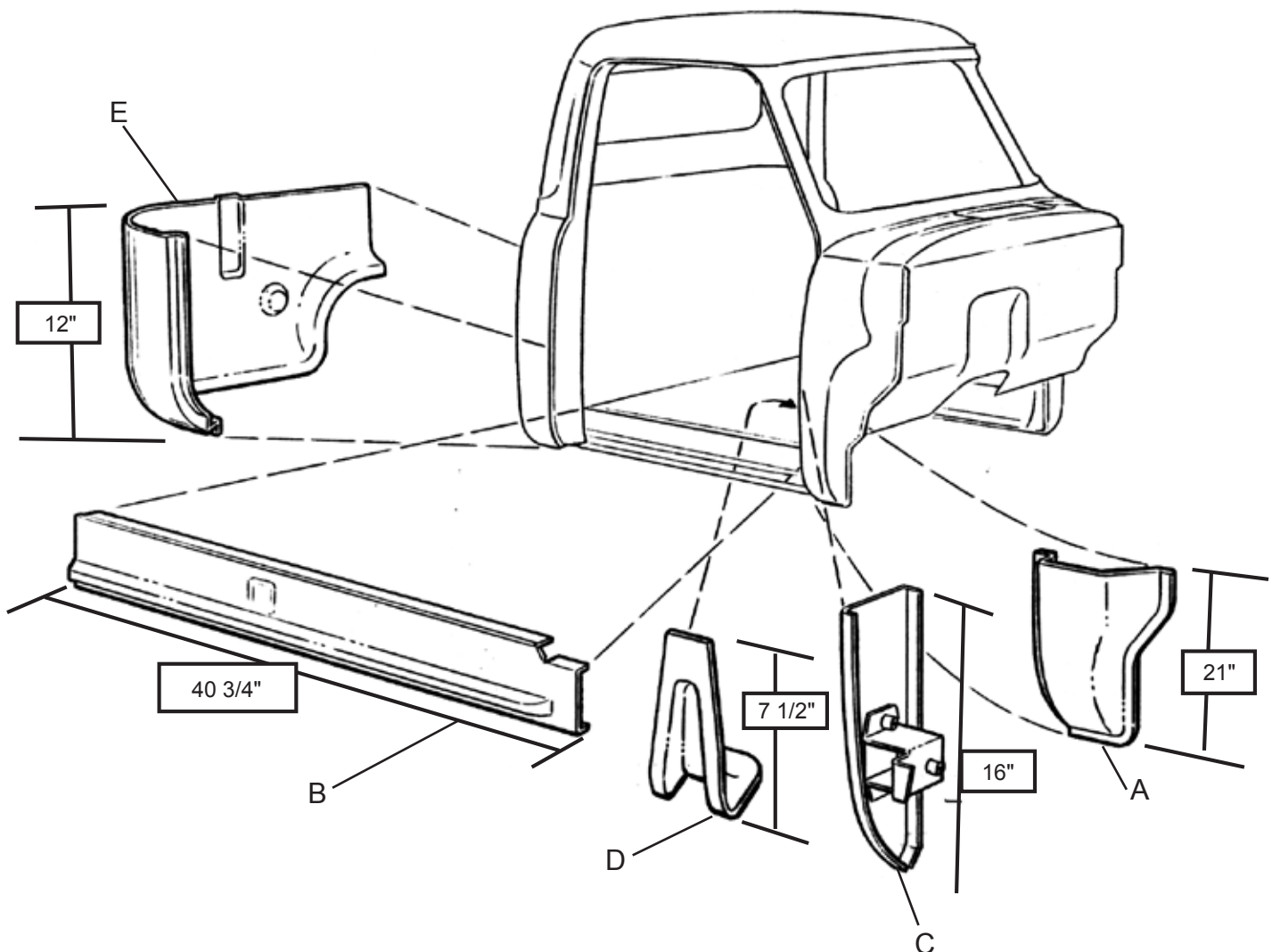
PART #	PIC	DESCRIPTION	YEAR	PRICE
BAAA-8110110-PR	(B)	Rocker Panel - Also fits Panel Truck	53-56	100.00 pr.

FRONT BODY MOUNTS

PART #	PIC	DESCRIPTION	YEAR	PRICE
BAAA-8102056		- RH	53-56	25.00 ea.
BAAA-8102057		- LH	53-56	25.00 ea.
BAAA-8102056-PR	(D)	- RH & LH	53-56	50.00 pr.

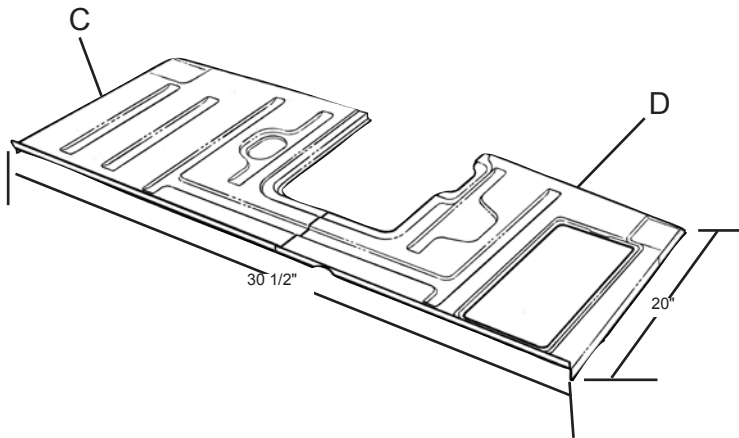
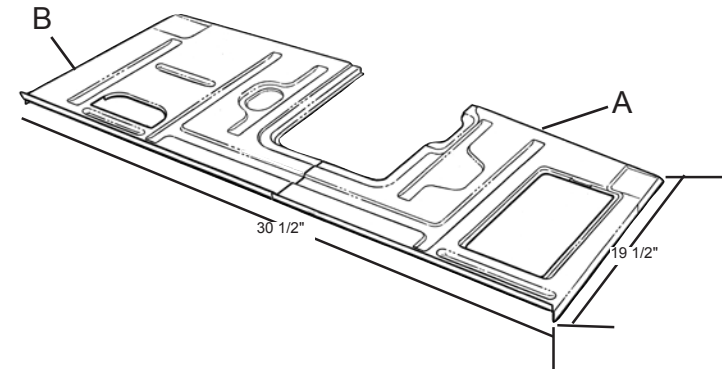
REAR CAB CORNERS

PART #	PIC	DESCRIPTION	YEAR	PRICE
BAAA-8140302-S		- RH	53-56	35.00 ea.
BAAA-8140303-S		- LH - NO CUT OUT FOR GAS NECK	53-56	35.00 ea.
BAAA-8140302-PR	(E)	- RH & LH	53-56	70.00 pr.



FLOOR PANS

PART #	PIC	DESCRIPTION	YEAR	PRICE
BAAA-8111107	(B)	- Front - LH	53-55	100.00 ea.
BAAA-8111106	(A)	- Front - RH	53-55	100.00 ea.
BAAA-8111106-PR		- Front - RH & LH	53-55	200.00 pr.
B6C-8111106	(D)	Floor Pan - w/ Battery Hold - RH	56	100.00 ea.
B6C-8111107	(C)	Floor Pan - LH	56	100.00 ea.
B6C-8111106-PR		Floor Pans - RH & LH	56	200.00 pr.



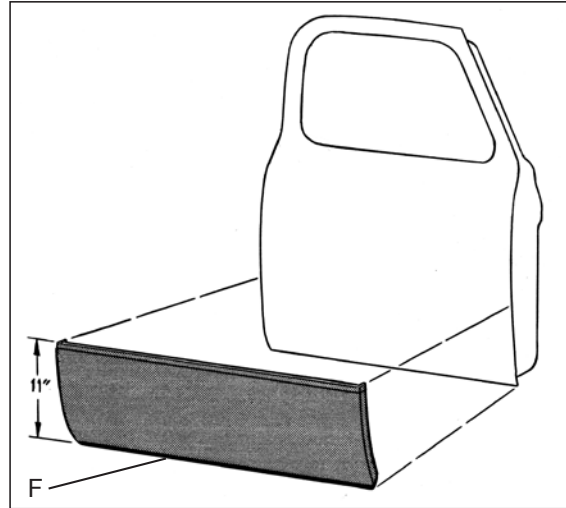
INNER DOOR BOTTOMS

PART #	PIC	DESCRIPTION	YEAR	PRICE
BAAA-8120124	(E)	- Bottom - Right	53-56	45.00 ea.
BAAA-8120125		- Bottom - Left	53-56	45.00 ea.
BAAA-8120124-PR		- Bottom - Right and Left	53-56	90.00 pr.



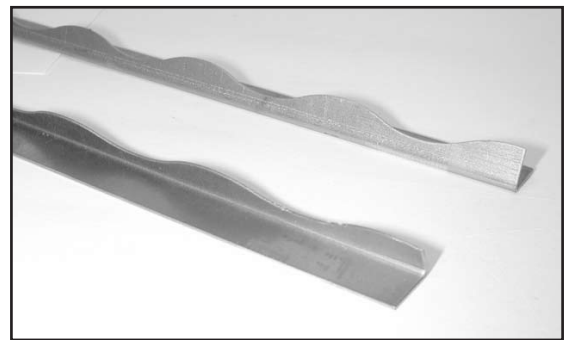
OUTER DOOR SKINS

PART #	PIC	DESCRIPTION	YEAR	PRICE
	(F)	<u>Outer Door Skin</u>		
BAAA-8120200		- RH OR LH	53-56	45.00 ea.
BAAA-8120200-PR		- RH & LH (set)	53-56	90.00 pr.



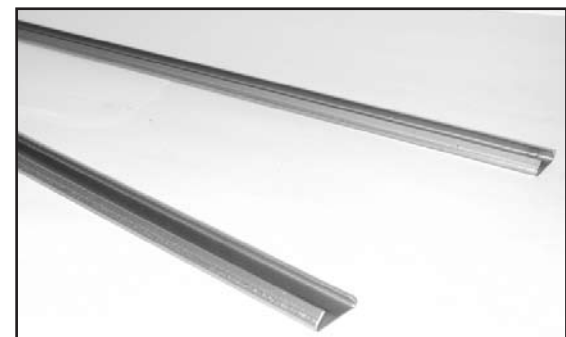
LOWER DOOR SEAL RETAINER

PART #	PIC	DESCRIPTION	YEAR	PRICE
(Does NOT Include Rubber)				
BAAA-8120712-PR		Lower Door Seal Retainer on Door	53-56	8.00 pr.



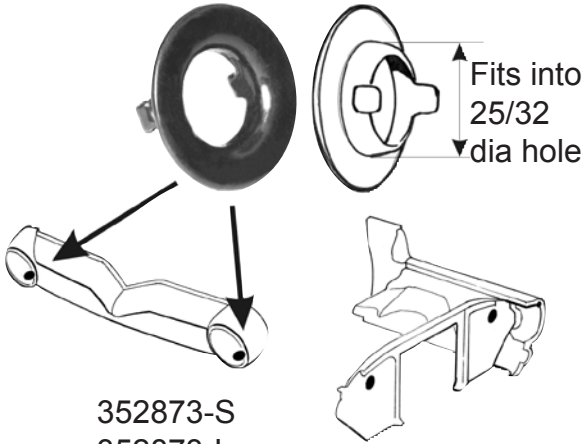
CAB SKIRT CHANNEL

PART #	PIC	DESCRIPTION	YEAR	PRICE
BAAA-8110112-PR		Cab Skirt Channel - Does not include rubber	53-55	17.50 pr.



MISCELLANEOUS PARTS

PART #	PIC	DESCRIPTION	YEAR	PRICE
		<u>Metal Wire Grommet</u>		
352873-S		- Small 11/16"		4.00 ea.
352873-L		- Large 25/32"		4.00 ea.



352873-S
352873-L

COWL & FLOOR PAN RUBBER PLUGS

PART #	PIC	DESCRIPTION	YEAR	PRICE
352291-S		- 3/4" hole plug		1.25 ea.
352284-S		- 1 1/4" hole plug		1.25 ea.
352285-S		- 1 1/2" hole plug		1.25 ea.
357216-S		- 1 3/4" (1.87) hole		1.25 ea.



When you use the right tools

Race Track side moldings being made at Carpenter Industries

the results are spectacular.



At Carpenter Industries we use the original Ford tooling to form rolls of quality 5657H242 aluminum into the dramatically twisting and turning Race Track side moldings used on F100s and Broncos of the late 1970s. Our brightly anodized finished molding kits outline the lower body and wheel wells giving any pickup that distinctive sport look especially when combined with a two toned paint scheme.

Install a set of Dennis Carpenter Race Track moldings onto your pickup or Bronco and turn your Ford into something truly spectacular.

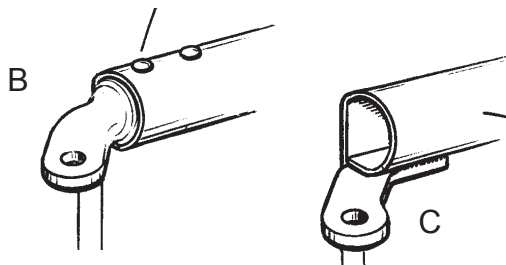
TAILGATES - STEPSIDE

PART #	PIC	DESCRIPTION	YEAR	PRICE
Galvanized on both side for years of service.				
B7C-8340700-A		Tailgate - F100 - Made off original dies - No Hardware - w/ 110", 114", 115" wheel Base	53-72	350.00 ea.
B7C-8340700-NH	(A)	Tailgate - F100 - w/ no hooks for chains	53-72	375.00 ea.
B7D-8340700-A		Tailgate - F250-350 - No Hardware	53-72	375.00 ea.

TAILGATE ASSEMBLY

PART #	PIC	DESCRIPTION	YEAR	PRICE
21C-8340700	(B)	- for Top of Roll - F-1 No Hardware	42-50	350.00 ea.
8C-8340700	(C)	- for Below Roll - F-1 No Hardware	50-52	350.00 ea.

NOTE: When ordering tailgate for 1950 it is very important to state if the bracket for chains are in the top of the roll or below the roll.



STAMPED STEEL
From The ORIGINAL Ford Dies

Compare Our
Quality ✓
MADE IN THE U.S.A.

TAILGATE HINGES

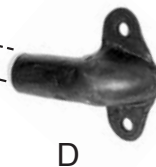
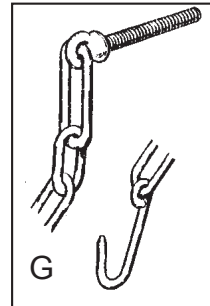
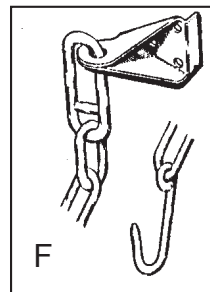
PART #	PIC	DESCRIPTION	YEAR	PRICE
8C-8343018	(D)	Tailgate Hinge	42-72	6.00 ea.
8C-8343018-SS	(E)	Tailgate Hinge - Stainless - will not rust	42-72	15.00 ea.

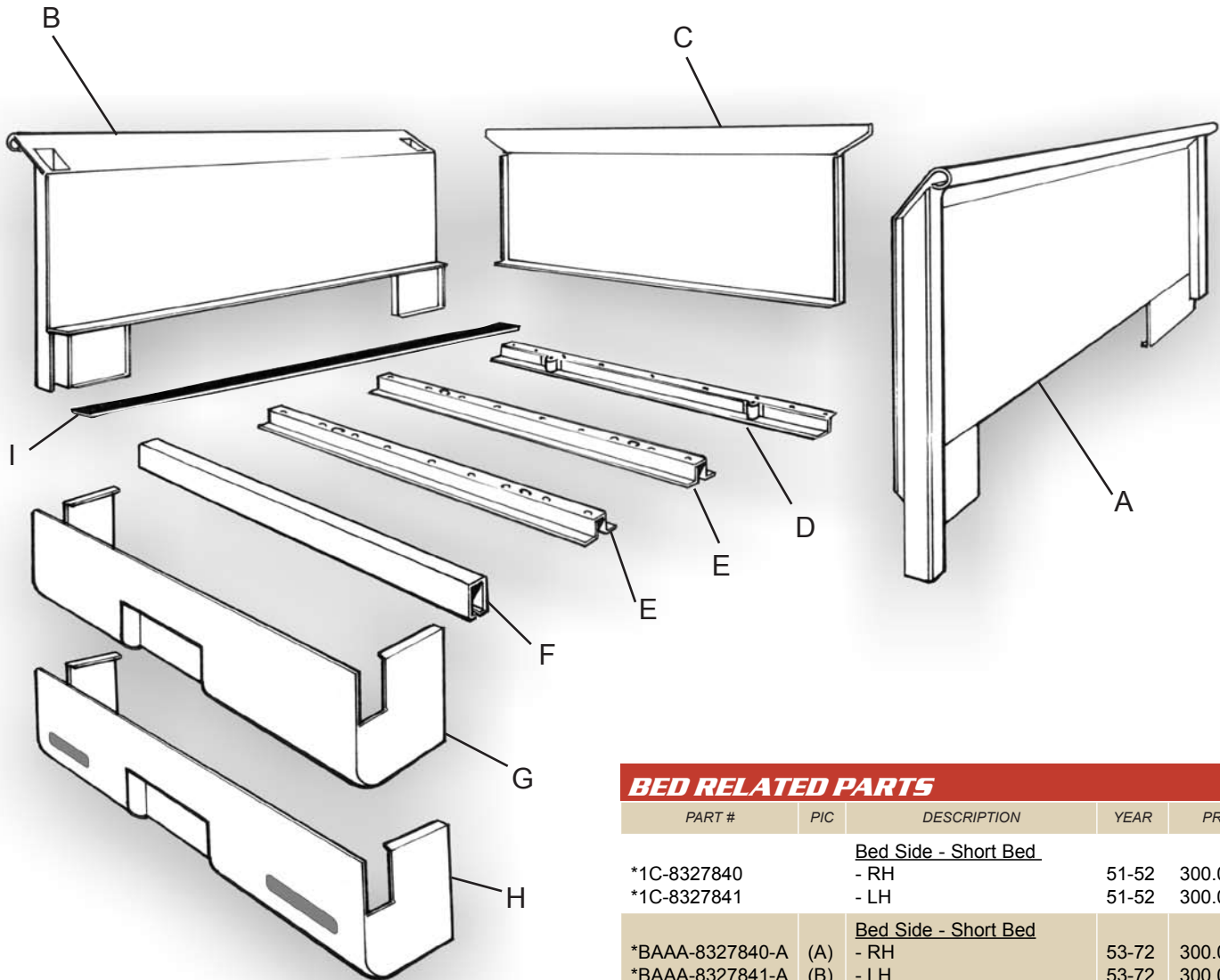
TAILGATE BUMPER

PART #	PIC	DESCRIPTION	YEAR	PRICE
BAAA-8340725-A		Side of Tailgate to Bed Bumper - Goes in tailgate side	53-72	3.00 pr.
BAAA-8344458-S		Tailgate Chain Special Rubber Bumper - Fits in bracket - Comes with Chains	53-72	5.00 pr.

TAILGATE RELATED PARTS

PART #	PIC	DESCRIPTION	YEAR	PRICE
Tailgate Chains & Brackets do NOT come assembled				
<u>Tailgate Chains & Brackets</u>				
21C-8344456-PR	(F)	- to be painted	42-50	80.00 pr.
1C-8344456-PR	(G)	- to be painted	51-52	80.00 pr.
<u>Tailgate Chains & Brackets</u>				
- Rubber Cover included				
Fits: 110", 114", 115" Wheel Base				
BAAA-8344456-A		- Zinc Plated	53-72	70.00 pr.
BAAA-8344456-SS	(H)	- Polished Stainless Steel	53-72	100.00 pr.
7C-8144450-S		Tailgate Chain Rubber Cover Only	48-56	8.00 pr.





BED RELATED PARTS

PART #	PIC	DESCRIPTION	YEAR	PRICE
Bed Side - Short Bed				
*1C-8327840		- RH	51-52	300.00 ea.
*1C-8327841		- LH	51-52	300.00 ea.
Bed Side - Short Bed				
*BAAA-8327840-A	(A)	- RH	53-72	300.00 ea.
*BAAA-8327841-A	(B)	- LH	53-72	300.00 ea.
21C-8300124		Front of Box Panel	42-50	200.00 ea.
BAAA-8300124-A	(C)	Front of Box Panel - for Pick-up w/ 110", 114", 115" wheel base	51-72	150.00 ea.
1C-8310610-A		Front Section Bed Runner	51-52	50.00 ea.
BAAA-8310610-A	(D)	Front Section Bed Runner	53-56	50.00 ea.
8C-8310705	(E)	Center Section Bed Runner - need two per bed	53-56	50.00 ea.
BAAA-8310608-A	(F)	Rear Bed Runner	51-56	70.00 ea.
Rear Roll Pan				
BAAA-8140320-B	(G)	- w/ License Plate Recess	53-56	200.00 ea.
BAAA-8140320-D	(H)	- w/ License Plate Recess & Taillights	53-56	350.00 ea.
7C-8144150-S	(I)	Box Side to Wood Floor Seal - Rubber	48-56	15.00 pr.
*NOTE: Add \$75.00 for each order of bed sides for special crating & handling charge. Must be shipped by truck.				
81C-8127832		Pickup Bed State Pocket	38-50	40.00 ea.

TAILGATE RELATED PARTS

PART #	PIC	DESCRIPTION	YEAR	PRICE
TG-8344456-PR		Tailgate Latches in top roll - Step Side - Does away w/ Chains	53-79	100.00 pr.

Eliminates Tailgate Chains



Mounts inside tailgate top rail



BED STRIPS - WITH HOLES -

PART #	PIC	DESCRIPTION	YEAR	PRICE
Fits 6 1/2' Beds - All holes punched square Ready for installation - 76 3/4" - set of (7)				
7C-8112605-CR	(A)	- Cold Rolled Steel	48-56	75.00 set
7C-8112605-SS	(A)	- Bright Stainless	48-56	175.00 set
7C-8112605-SSP	(A)	- Polished Stainless Steel	48-56	240.00 set

BED STRIPS - NO HOLES

PART #	PIC	DESCRIPTION	YEAR	PRICE
No Holes Punched - Drill your Own. Sold in Sets of (7) or Individual - Non Returnable Bed Strips 144" long shipped by commercial truck lines freight collect.				

7C-8112605-CRU	(B)	<u>Bed Strips - 76 3/4"</u> - Cold Rolled Steel	48-56	40.00 set
7C-8112605-ECR		- Cold Rolled Steel	48-56	6.00 ea.
7C-8112605-SSU		- Bright Stainless Steel	48-56	130.00 set
7C-8112605-ESS		- Bright Stainless Steel	48-56	20.00 ea.
7C-8112605-SSUP		- Polished Stainless Steel	48-56	220.00 set
BAAA-8112605-CRU	(B)	<u>Bed Strips - 95"</u> - Cold Rolled Steel	48-56	50.00 set
BAAA-8112605-ECR		- Cold Rolled Steel	48-56	8.00 ea.
BAAA-8112605-SSU		- Bright Stainless Steel	48-56	150.00 set
BAAA-8112605-ESS		- Bright Stainless Steel	48-56	25.00 ea.
*B6C-8112605-CR	(B)	<u>Bed Strips - 12'(144")</u> - Cold rolled Steel	48-56	15.00 ea.
*B6C-8112605-SS		- Stainless Steel	48-56	30.00 ea.

PICKUP BED WOOD

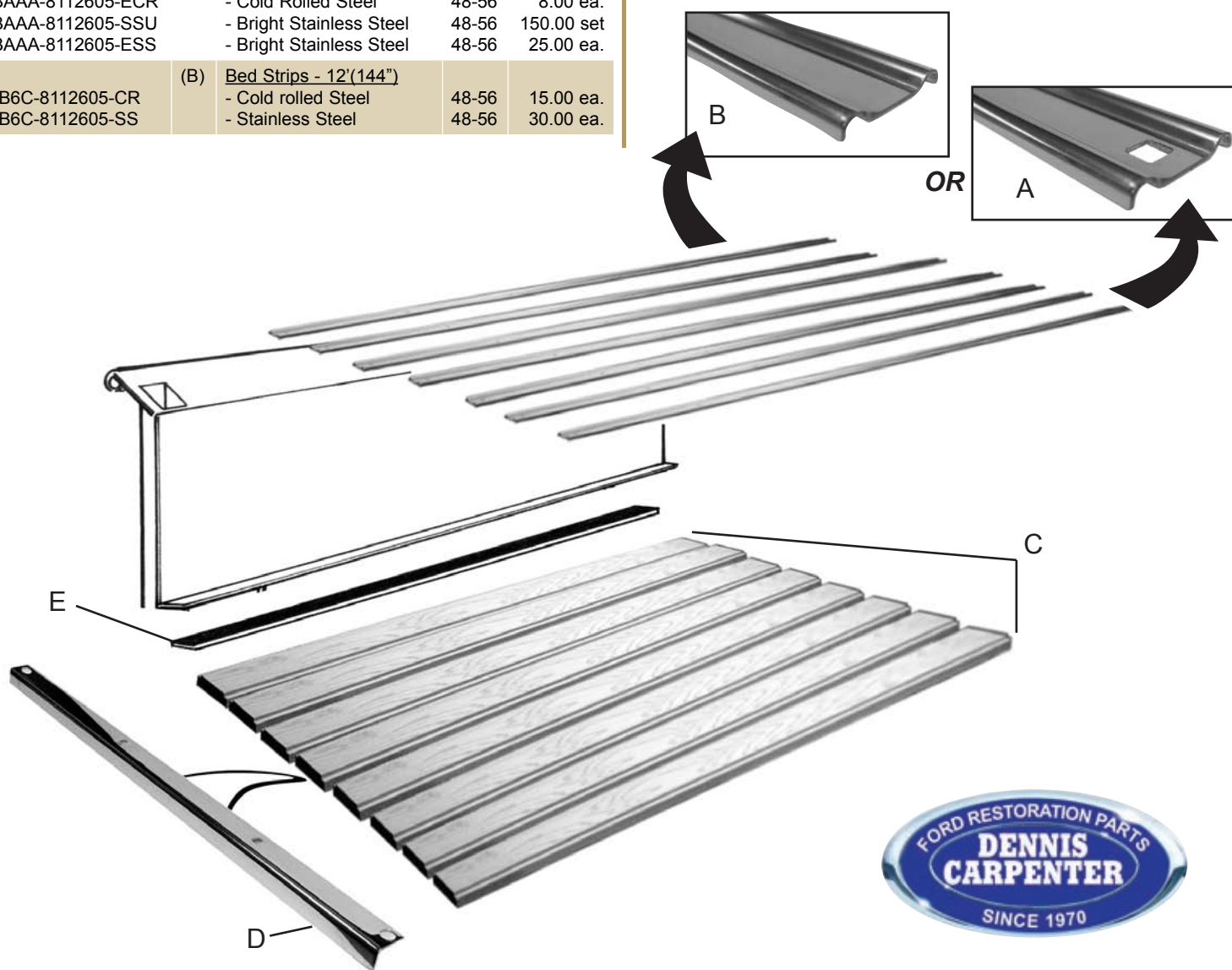
PART #	PIC	DESCRIPTION	YEAR	PRICE
7C-8111215-S	(C)	<u>Select Oak Wooden Boards</u> - Set of 8 boards for 6 1/2' bed - All are pre-cut for strips only, ready to finish & install - 78 1/16" x 5 9/16" x 3/4"	48-56	300.00 set

BED BOARDS END CAP STRIP

PART #	PIC	DESCRIPTION	YEAR	PRICE
8C-8110609-CR	(D)	<u>Bed Boards End Cap Strip</u> - Steel		15.00 ea.
8C-8110609-SS		- Stainless		30.00 ea.

BED SEAL STRIP

PART #	PIC	DESCRIPTION	YEAR	PRICE
7C-8144150-S	(E)	<u>Box Side to Wood Floor Seal</u> - Rubber	48-56	15.00 pr.

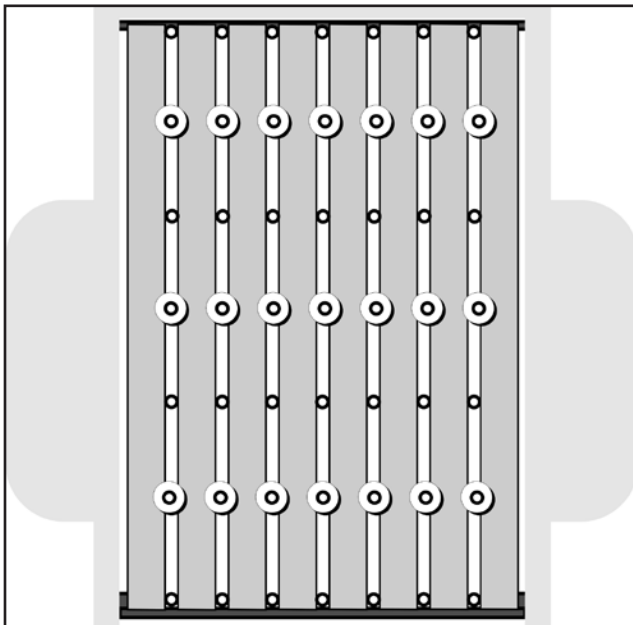
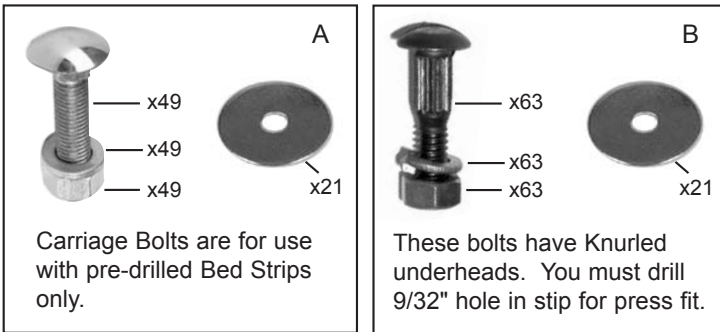


BED STRIP BOLTS

PART #	PIC	DESCRIPTION	KIT
Fine threaded bolts w/ zinc plated nut and washers.			
Carriage Bolts for Bed Strips WITH pre-drilled holes			
7C-8112610-PF 23501-P	- Plain Finish		30.00 kit .60 ea.
7C-8112610-CC 23501-CC	- Chrome Plated		55.00 kit 1.00 ea.
7C-8112610-SS 23501-SS	- Non-polished Stainless		55.00 kit 1.00 ea.
7C-8112610-SSP 23501-SSP	(A) - Polished Stainless Steel		79.50 kit 1.50 ea.

Bolts for Bed Strips WITHOUT pre-drilled holes

BAAA-8112612-PF 23503-P	(B) - Plain Finish		35.00 kit .60 ea.
BAAA-8112612-CC 23503-CC	- Chrome Finish		65.00 kit 1.00 ea.

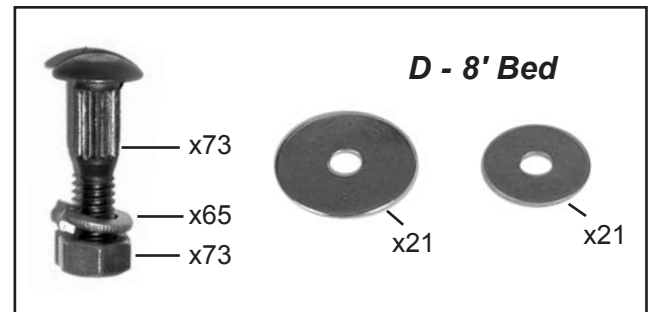
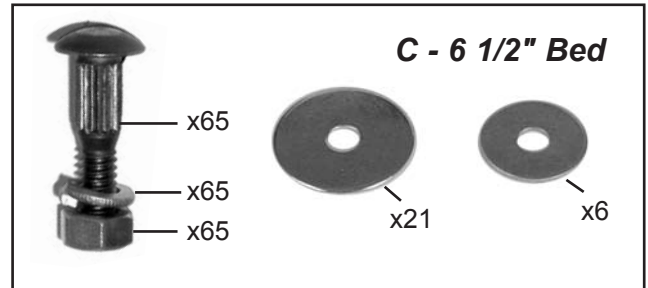


- Bolts w/ Washers
- Bolts

Illustration ONLY for Pre-drilled Bed Strips

BED STRIP & WOOD BOLT KITS

PART #	PIC	DESCRIPTION	YEAR	PRICE
All nuts and washers are zinc plated.				
Complete placement instructions are also included in the kit.				
For 6 1/2" Beds				
7C-8112615-PF	(C)	- Plain Finish	48-56	37.50 kit
7C-8112615-CC		- Chrome Finish	48-56	72.50 kit
7C-8112615-SS		- Stainless Steel	48-56	72.50 kit
7C-8112615-SSP		- Polished Stainless	48-56	100.00 kit
For 8' beds				
BAAA-8112615-PF	(D)	- Plain Finish		42.50 kit
BAAA-8112615-CC		- Chrome Finish		72.50 kit

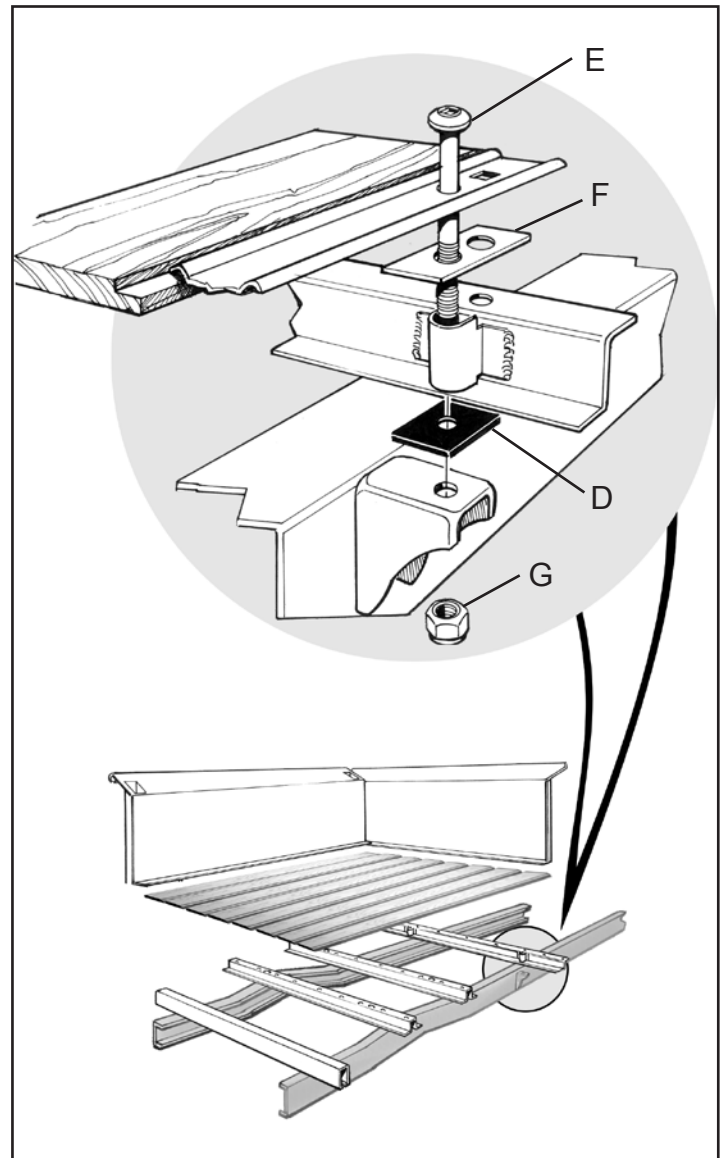
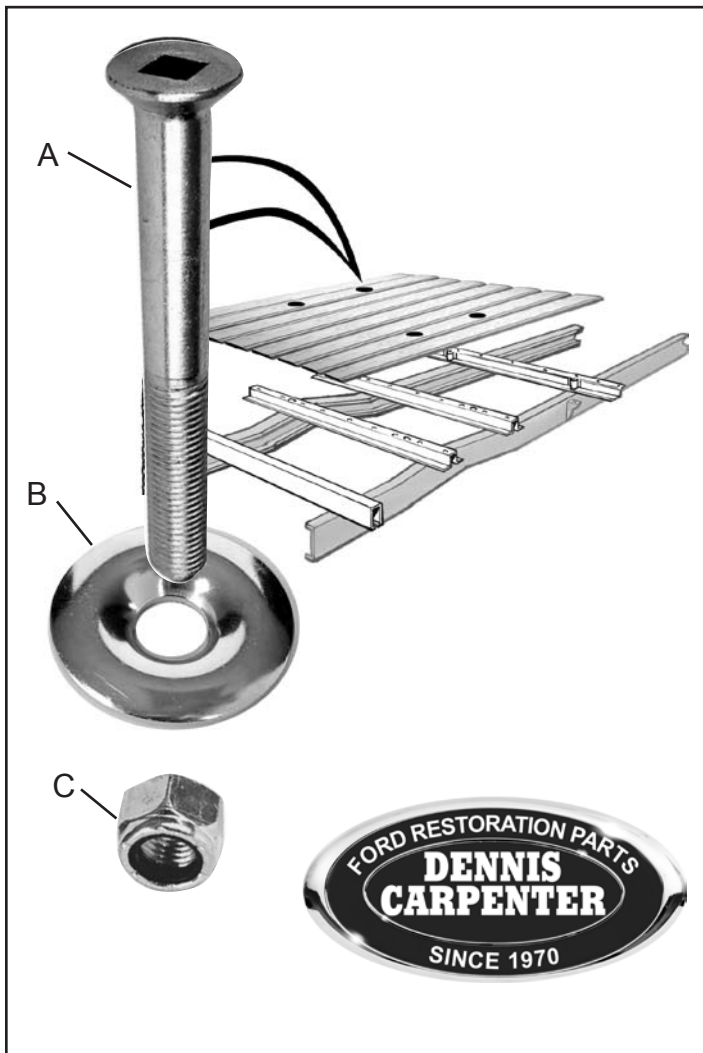


BED TO FRAME PARTS

PART #	PIC	DESCRIPTION	YEAR	PRICE
350623-S	(A)	Bed to Frame Bolt - No nuts - need (4) per bed - Bolts are 7/16"x20 thread - Cadmium Plated	48-63	3.50 ea.
7C-8144440		Counter Sunk washer - Cold rolled steel - Cadmium Plated - Special washer that goes on top of the wood that the bed to frame bolt (350623-S) goes through - need (4) per bed	48-72	1.50 ea.
7C-8144440-SS	(B)	Counter Sunk Washer - Stainless steel - Special washer that goes on top of the wood that the bed to frame bolt (350623-S) goes through - need (4) per bed	48-72	2.50 ea.
34447-S2	(C)	Self Locking Nut for Bed to Frame Bolt (350620-S8 & 350623-S)	48-63	1.00 ea.

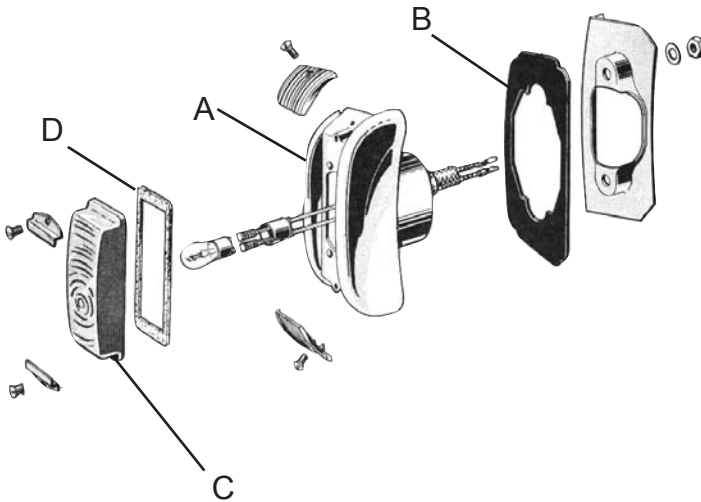
BED TO FRAME PARTS

PART #	PIC	DESCRIPTION	YEAR	PRICE
		<u>Bed to Frame Pad Kit</u>		
7C-8144155-S		- Set of (8) pads	48-52	7.00 kit
BAAA-8144155-S	(D)	- Set of (8) pads	53-56	7.00 kit
350620-S8	(E)	Bed to Frame Bolt for Front of Bed - No nuts - need (2) per bed	48-63	3.00 ea.
8C-8110611-PR	(F)	<u>Front Bed Metal Cross Member to Bed Wood Spacer</u>	48-72	4.00 pr.
34447-S2	(G)	Self Locking Nut for Bed to Frame Bolt (350620-S8 & 350623-S)	48-63	1.00 ea.



PANEL TAILLIGHTS & PARTS

PART #	PIC	DESCRIPTION	YEAR	PRICE
11A-13404	(A)	<u>Taillight Assembly - Panel</u> - Complete Right Side	48-56	65.00 ea.
11A-13405		- Complete Left Side	48-56	65.00 ea.
11A-13420	(B)	<u>Housing to Body Gasket</u> - Rubber - Panel	48-56	8.00 pr.
11A-13450	(C)	<u>Taillight Lens - Panel</u> - Glass	48-56	7.00 ea.
11A-13450-BD		- Glass - with Blue Dot	48-56	14.00 ea.
11A-13461	(D)	<u>Lens to Housing Gasket</u> - Panel	48-56	3.00 pr.
7RA-13568		<u>Rear License Plate Lens Gasket - Panel</u>	48-56	1.00 ea.



LICENSE PLATE LIGHT

PART #	PIC	DESCRIPTION	YEAR	PRICE
7RA-13564		<u>Rear License Plate Light Lens</u> - for panel truck	48-56	10.00 ea.

BOTTOM OF CAB TO RUNNING BOARD SEALS

PART #	PIC	DESCRIPTION	YEAR	PRICE
7C-8227838-PR		<u>Running Board to Rear Quarter Panel Rubber - Panel only</u> - reproduced exactly as original	48-52	47.50 pr.

PANEL TRUCKS ONLY

PART #	DESCRIPTION	YEAR	PRICE
8A-13550-A	Licence Plate Lamp Assy.	48-56	30.00 ea.
7RA-13564	<u>Rear License Plate Light Lens</u> - for panel truck	48-56	10.00 ea.
BAAA-16540-C	Bottom of Cab to Running Board Seal - Panel Only	53-56	18.50 pr.
7C-9080-P	<u>Gas Tank Neck Grommet</u> - Panel Only	48-52	20.00 ea.
BAAA-9080-A	- Panel Only	53-56	20.00 ea.
BAAA-8222428-P	<u>Panel Back Door Handle Pad</u>	48-56	3.00 ea.
8M-7943426	<u>Inside Rear Door Opener Handle</u>	48-56	10.00 ea.
B-7022840	<u>Rear Door Hinge Pin</u> w/ Oil Groove	48-56	2.00 ea.
81C-825950	<u>Panel Rear Door Dovetail</u> - male	48-56	25.00 ea.
01C-8244123	<u>Panel Rear Door Check Bumper</u>	40-52	2.00 pr.
7C-8242084-P	<u>Back Window Rubber</u> - Ends bonded in endless circle	48-52	55.00 pr.
BAAA-8242084-P	<u>Back Window Rubber</u> - Ends bonded in endless circle	53-56	55.00 pr.
8C-8243722-PR	<u>Panel Rear Door Seals</u> - Complete with special molded corners - Exactly as original	48-52	75.00 pr.
BAAA-8243722-PR	<u>Panel Rear Door Seals</u> - Complete with Special molded corners - Exactly as original	53-56	75.00 pr.
B5C-8251968-P	<u>Headliner for Panel Only</u>	53-55	100.00 ea.
B6C-8251968-P	<u>Headliner for Panel Only</u>	56	100.00 ea.
BAAA-8150956	<u>Seal to Hold Headliner</u>	53-56	16.50 ea.
BAAA-8150960	<u>Clip to Hold Seal & Headliner</u>	53-56	.50 ea.
BAAA-8150960-S	<u>Clips to Hold Seal & Headliner</u> - Set of 16	53-56	6.00 set
7C-8226600-A	<u>Rear Door Outside Door Handle</u> - Panel Only Longer Shaft so inside door handle may be attached	48-56	50.00 ea.



BOOKS - MANUALS - LITERATURE

PART #	PIC	DESCRIPTION	YEAR	PRICE
CA-3200		Nostalgia - Rebuilding & Modifying the Flathead Ford V-8 92 pages		22.00 ea.
CA-3200-1		Flathead V-8 Builders Handbook - By Fisher Books	32-53	24.00 ea.
CA-3200-2		Flathead Guide by Thunder Road - Modifications on the engine ignition, electrical system, overdrive, carburetion, cooling and more		22.00 ea.
CA-3200-3		Electrical Guide by Thunder Road - Six to twelve volt conversion for all cars & trucks		22.00 ea.
CA-3200-4		The Official 12 Volt Conversion Guide		10.00 ea.
CA-3200-5		3-Speed Transmission Book Ins & Outs of Early Ford Transmissions		40.00 ea.
CA-3250		How To Be An Expert Driver - By Al Esper, Chief Test Driver for Ford Motor Company - 18 page booklet		25.00 ea.
CA-3600		Steering Wheel Restoration Book		13.00 ea.
TR-4622		How To Restore Your Ford Pickup - Step by-step Restoration Guide for Ford Trucks 1946-67 (224 pages)	46-67	25.00 ea.
TR-4801		Specifications Features Manual	48-50	10.00 ea.
TR-4810		Operators Manual	48	10.00 ea.
TR-4815-6		Truck Chassis & Body Books - 2 volumes	48-56	200.00 ea.
TR-4900		Shop Manual	48-52	35.00 ea.
CA-4902		Ford Service Manual for Cars & Pickups	49-50	9.00 ea.
TR-4910		Operators Manual	49	10.00 ea.
TR-5010		Operators Manual	50	10.00 ea.
TR-5101		Specifications Features Manual	51-52	10.00 ea.
TR-5110		Operators Manual	51-52	10.00 ea.
TR-5300		Shop Manual	53	38.00 ea.
TR-5301		Specifications Features Manual	53	10.00 ea.
TR-5309		Radio Installing & Service Manual - Original Radio	53-55	6.00 ea.
TR-5310		Operators Manual	53	10.00 ea.
TR-5400		Shop Manual	54-55	30.00 ea.
TR-5401		Specification Features Manual	54	10.00 ea.
TR-5410		Operators Manual	54	10.00 ea.
TR-5501		Specifications Features Manual	55	10.00 ea.
TR-5510		Operators Manual	55	10.00 ea.
TR-5600		Shop Manual	56	30.00 ea.
TR-5601		Specification Features Manual	56	10.00 ea.
TR-5610		Operators Manual	56	10.00 ea.
HEMM		Hemmings Motor News Magazine		6.00 ea.

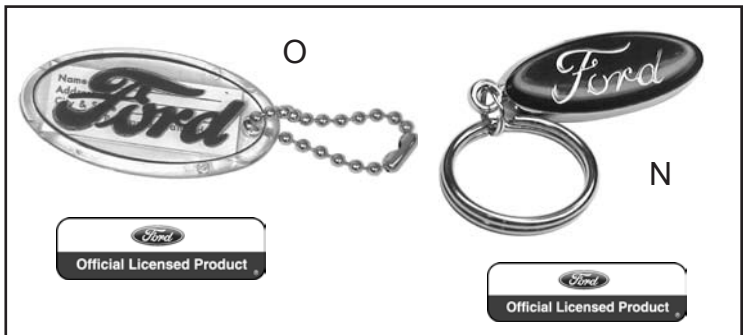
BUMPER STICKERS

PART #	PIC	DESCRIPTION	PRICE
DF-361		Ford Script Bumper Sticker - 3 1/2"	3.00 ea.
DF-362	(K)	Ford Oval Decal - 6 1/2"	4.50 ea.
DF-363	(L)	Ford Oval Decal - 9 1/2"	5.00 ea.
DF-364	(M)	Ford Oval Decal - 17"	6.00 ea.
DF-1388		Ford Oval Decal "Blue on Clear" - 3 1/2"	3.00 ea.
DF-1389		Ford Oval Decal "Blue on Clear" - 6 1/2"	4.50 ea.
DF-1390		Ford Oval Decal "Blue on Clear" - 9 1/2"	5.00 ea.
DF-1391		Ford Oval Decal "Blue on Clear" - 17"	6.00 ea.



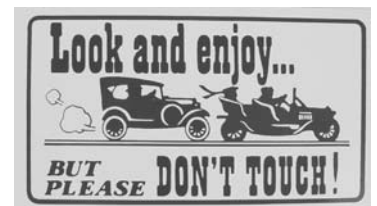
FORD KEY CHAINS

PART #	PIC	DESCRIPTION	YEAR	PRICE
KC-1	(N)	Key Chain		5.00 ea.
KC-2	(O)	Key Chain - Ford Script		4.50 ea.



MAGNETIC SIGNS

PART #	PIC	DESCRIPTION	PRICE
MM-2	(P)	Look, But Please Don't Touch	6.00 ea.
MM-3	(Q)	Look and Enjoy, but Please Don't Touch	6.00 ea.

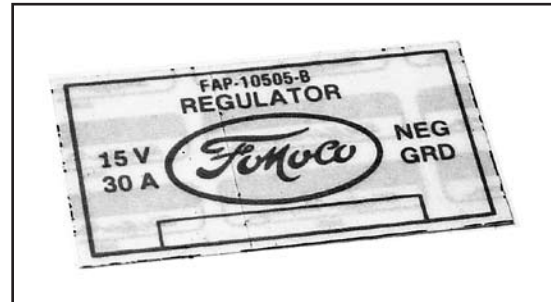
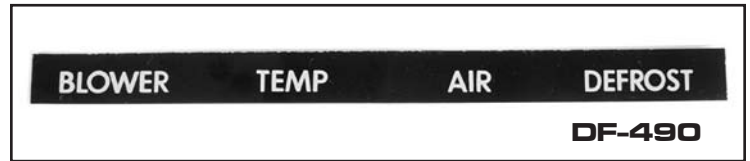


P

Q

DECALS

PART #	PIC	DESCRIPTION	YEAR	PRICE
DF-9		Battery Warranty Certificate	39-53	3.00 ea.
DF-32		Voltage Regulator Decal	56-57	4.00 ea.
DF-33		Coil Decal	56-64	4.00 ea.
DF-64		Oil Filter Decal - V-8	48-53	4.00 ea.
DF-68		Generator Decal	56	4.00 ea.
DF-70		Valve Cover Decals - V-8	56-60	12.00 pr.
DF-81		Automatic Transmission Glove Box Decal	55-56	4.00 ea.
DF-82		Oil Filter Decal	54-56	5.50 ea.
DF-84		Voltage Regulator Decal	55	4.00 ea.
DF-109		Voltage Regulator Decal	52-54	4.00 ea.
DF-120		FOMOCO Antifreeze Tag	53-64	3.50 ea.
DF-131		Starter Decal	56-57	4.00 ea.
DF-143		Air Cleaner Decal - Oil Bath	48-53	3.50 ea.
DF-229		Engine Foundry Tag	54-58	4.00 ea.
DF-357		Air Cleaner Decal - Oil Bath	48-51	4.00 ea.
DF-375		Oil Filter Decal Set	52-53	12.00 set
DF-390		Oil Pressure Decal	55-56	4.00 ea.
DF-450		Ford I-6 Valve Cover Decal	55-56	7.00 ea.
DF-490		Fresh Air Heater Control Panel Decal	53-56	2.50 ea.
DF-561		Recirculating Heater Control Panel Decal	53-56	3.00 ea.
DF-642		Valve Cover Decal - V-8 Power King 130	54	12.00 pr.
DF-686		Windshield Washer Bottle Bracket Decal	48-52	4.00 ea.
DF-688		Ford Letters for Tailgate Step Side Style - Blue	53-72	7.50 set
DF-689		Ford Letters for Tailgate Step Side Style - White	53-72	7.50 set
DF-690		Ford Letters for Tailgate Step Side Style - Black	53-72	7.50 set
DF-691		Ford Letters for Tailgate Step Side Style - Silver	53-72	7.50 set
DF-692		Ford Letters for Tailgate Step Side Style - Red	53-72	7.50 set
DF-892		Valve Cover Decal - Power King - V-8	55	12.00 pr.
DF-1083		Cost Clipper Six Valve Cover Decal	52-53 55-56	6.50 ea.
DF-1124		Air Cleaner Service Instructions Decal	54	4.00 ea.
DF-1125		Generator Warning Tag	56-64	3.50 ea.
DF-1134		Generator Warning Tag	49-55	4.00 ea.



DF-32



DF-70



DF-357



DF-690

FORD TIMES MAGAZINE

PART #	PIC	DESCRIPTION	PRICE
CA-1952-8		Ford Times - August 1952 Edition	8.50 ea.
CA-1952-9		Ford Times - September 1952 Edition	8.50 ea.
CA-1952-10		Ford Times - October 1952 Edition	8.50 ea.
CA-1952-12		Ford Times - December 1952 Edition	8.50 ea.
CA-1953-6		Ford Times - June 1953 Edition	8.50 ea.
CA-1953-7		Ford Times - July 1953 Edition	8.50 ea.
CA-1953-10		Ford Times - October 1953 Edition	8.50 ea.
CA-1953-11		Ford Times - November 1953 Edition	8.50 ea.
CA-1954-1		Ford Times - January 1954 Edition	8.50 ea.
CA-1954-3		Ford Times - March 1954 Edition	8.50 ea.
CA-1954-4		Ford Times - April 1954 Edition	8.50 ea.
CA-1954-6		Ford Times - June 1954 Edition	8.50 ea.
CA-1954-9		Ford Times - September 1954 Edition	8.50 ea.
CA-1955-6		Ford Times - June 1955 Edition	8.50 ea.
CA-1955-7		Ford Times - July 1955 Edition	8.50 ea.
CA-1955-8		Ford Times - August 1955 Edition	8.50 ea.
CA-1955-9		Ford Times - September 1955 Edition	8.50 ea.
CA-1955-10		Ford Times - October 1955 Edition	8.50 ea.
CA-1955-11		Ford Times - November 1955 Edition	8.50 ea.
CA-1955-12		Ford Times - December 1955 Edition	8.50 ea.
CA-1956-4		Ford Times - April 1956 Edition	8.50 ea.
CA-1956-5		Ford Times - May 1956 Edition	8.50 ea.
CA-1956-6		Ford Times - June 1956 Edition	8.50 ea.
CA-1956-7		Ford Times - July 1956 Edition	8.50 ea.
CA-1956-8		Ford Times - August 1956 Edition	8.50 ea.
CA-1956-9		Ford Times - September 1956 Edition	8.50 ea.
CA-1956-11		Ford Times - November 1956 Edition	8.50 ea.

CERAMIC MUG

PART #	PIC	DESCRIPTION	PRICE
MG-97		Ceramic Mug - #97 Carburetor Replica	15.00 ea.



HEADLIGHT BULBS

PART #	PIC	DESCRIPTION	YEAR	PRICE
01A-13007		Headlight Seal Beam - 6 volt - NOS - NO Ford Script - NO Alignment Tits	40-55	20.00 ea.
B5AF-13007		Headlight Bulb - 6 volt	48-55	15.00 ea.
B6A-13007		Headlight Bulb - 12 volt	56-57	7.00 ea.

PARKING LIGHT BULB

PART #	PIC	DESCRIPTION	YEAR	PRICE
B-13466-63		- No Turn Signals	42-55	1.00 ea.
11A-13465-1154		- With Turn Signals	42-55	1.50 ea.
B6A-13465-1034		- 12 volt	56-62	1.50 ea.
B7A-13466-1157A		- 12 volt - painted amber light bulb	56-66	2.00 ea.
B7A-13466-1157NA		- Amber Glass	56-66	2.00 ea.

INSTRUMENT PANEL BULB

PART #	PIC	DESCRIPTION	YEAR	PRICE
78-13466-55		- 6 volt	48-55	1.50 ea.
B6A-13466-57		- 12 volt	56-62	1.00 ea.

HIGH BEAM INDICATOR BULB

PART #	PIC	DESCRIPTION	YEAR	PRICE
48-15021-51		- 6 volt	48-51	1.50 ea.
78-13466-55		- 6 volt	56-66	1.50 ea.
B6A-13466-1445		- 12 volt	56-66	1.00 ea.

GLOVE COMPARTMENT BULB

PART #	PIC	DESCRIPTION	YEAR	PRICE
78-13466-55		- 6 volt	48-55	1.50 ea.
B6A-13466-57		- 12 volt	56-66	1.00 ea.

TAILLIGHT BULB

PART #	PIC	DESCRIPTION	YEAR	PRICE
11A-13465-1154		- 6 volt	48-55	1.50 ea.
B6A-13465-1034		- 12 volt	56-62	1.50 ea.

DOME LIGHT BULB

PART #	PIC	DESCRIPTION	YEAR	PRICE
B-13466-63		- 6 volt	48-55	1.00 ea.
B6A-13730-1003		- 12 volt	56-66	1.50 ea.

"BISCUIT STYLE" MOTOR MOUNT KIT

PART #	DESCRIPTION	PRICE
TD-4145	Ford Smallblock Kit - 289,302.351W into 1953-64 PU - 100% Bolt - in, No Welding Required - Kit Includes; Left & Right Adapter Wings, Frame Brackets, Motor Mount Pads, & Hardware	90.00 ea.



"BISCUIT STYLE" MOTOR MOUNT KIT

PART #	DESCRIPTION	PRICE
TD-4685	Ford Bigblock Kit - 429,460 into 1953-64 PU Will not work with Lincoln/Mercury engines - 100% Bolt - in, No Welding Required - Kit Includes; Left & Right Adapter Wings, Frame Brackets, Motor Mount Pads, & Hardware	90.00 ea.



"BISCUIT STYLE" MOTOR MOUNT KIT

PART #	DESCRIPTION	PRICE
TD-4102	Chevrolet Smallblock Kit - 283,350 V-8,LT1 or 4.3L V-6 into 1953-64 PU Will not work with Lincoln/Mercury engines - 100% Bolt - in, No Welding Required - Kit Includes; Left & Right Adapter Wings, Frame Brackets, Motor Mount Pads, & Hardware	83.00 ea.



MOTOR MOUNTS

PART #	DESCRIPTION	PRICE
TD-9314	Replacement "Biscuit style" motor mounts - Sold in pairs only - For use with TD-4145,TD-4685,TD-4102 Kits - Will work with many vitage engine swaps	29.00 pr.



CROSSMEMBER STYLE MOTOR MOUNT KIT

PART #	DESCRIPTION	PRICE
TD-4819	Ford Smallblock Kit - 260,289,302W,351W & Pre 1973 351C - Use in frame widths of 24" to 37" - Center to Center between perches 17 1/4" - Some welding required - Uses TD-4982 motor mounts(not included)	75.00 ea.



CROSSMEMBER STYLE MOTOR MOUNT KIT

PART #	DESCRIPTION	PRICE
TD-9313	Ford Bigblock Kit - 429,460 Will not work with Lincoln/Mercury engines - Use in frame widths of 28" to 38" - Center to Center between perches 17 1/2" - Some Welding required - Uses TD-9353 motor mounts(not included)	111.00 ea.



CROSSMEMBER STYLE MOTOR MOUNT KIT

PART #	DESCRIPTION	PRICE
TD-4977	Ford Smallblock Kit - 351M,400 & 1973-up 351C - Use in frame widths of 24" to 37" - Center to Center between perches 16 1/2" - Some welding required - Uses TD-4981 motor mounts(not included)	75.00 ea.



CROSSMEMBER STYLE MOTOR MOUNT KIT

PART #	DESCRIPTION	PRICE
TD-4810	Chevrolet Engine Kit - 260-350 Smallblock & 396-454 Big block - Use in frame widths of 24" to 37" - Center to Center between perches 16 1/8" - Some Welding required - Uses TD-9525 motor mounts(not included)	75.00 ea.



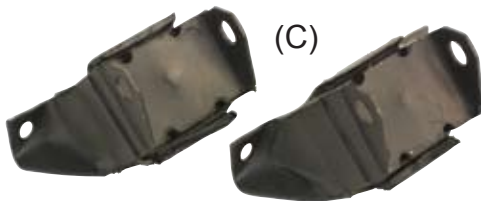
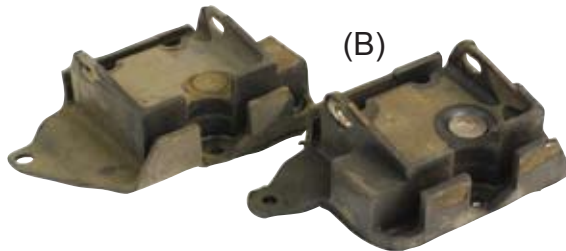
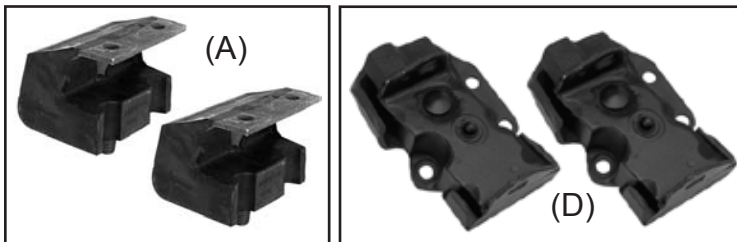
CROSSMEMBER STYLE MOTOR MOUNT KIT

PART #	DESCRIPTION	PRICE
TD-4037	Ford Bigblock Kit - Mounts 332,352,390,406,427 & 428 into 1953-64 Ford PU - Bolt to Frame - 28 3/4" wide - No Welding required - Uses TD-4715 motor mounts(not included)	100.00 ea.



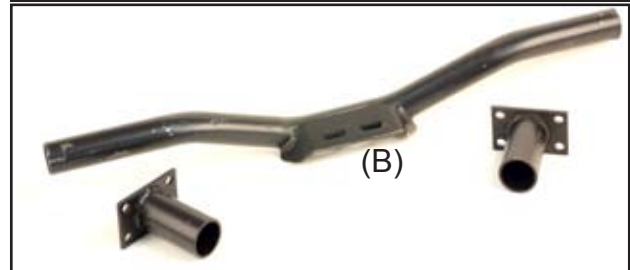
MOTOR MOUNTS

PART #	PIC	DESCRIPTION	PRICE
TD-4715	(A)	Replacement Heavy Duty motor mounts - Fits - 332,352,390,406,427 & 428 - Sold in pairs only. For use with TD-4037	69.00 pr.
TD-4981	(B)	Replacement Heavy Duty motor mounts - Fits - 351M-400 & 1973-up 351C - Sold in pairs only. For use with TD-4977	96.00 pr.
TD-4982	(C)	Replacement Heavy Duty motor mounts - Fits - 260,289,302W,302W & pre 1973 351C - Sold in pairs only. For use with TD-4819	83.00 pr.
TD-9353	(D)	Replacement Heavy Duty motor mounts - Fits - 429 & 460 - Sold in pairs only. For use with TD-9313	72.00 pr.
TD-9525	(E)	Replacement Heavy Duty motor mounts - Fits - Chevrolet Smallblock 265-350 - Sold in pairs only. For use with TD-4810	52.00 pr.



TRANSMISSION CROSSMEMBER

PART #	PIC	DESCRIPTION	PRICE
TD-4136	(A)	Mounts Ford C4 or C6 Automatic into 1953-64 PU. - Solid Steel Construction. - Mounts on Frame channel or under frame. - Use TD-4716 (not included)	45.00 ea.
TD-4539	(B)	Mounts Standard & Automatic Transmissions in open channel frames with widths of 26" to 36". - Drops transmission 3" - Use with stock transmission pad - Or use TD-4716(Ford) TD-9442 (Chevrolet)	76.00 ea.
TD-9424	(C)	Mounts Standard & Automatic Transmissions in open channel frames with widths of 26" to 36". - Drops transmission 6" - Use with stock transmission pad - Or use TD-4716(Ford) TD-9442 (Chevrolet)	76.00 ea.



TRANSMISSION MOUNTING PADS

PART #	PIC	DESCRIPTION	PRICE
TD-4716	(A)	Transmission Mounting Pad - Mounts Ford C-4 & C6 Automatic - Rubber/Steel Design - Use with TD-4136, TD-4539 or TD-9424	27.00 ea.
TD-9402	(B)	Transmission Mounting Pad - Mounts 1958-88 Chevrolet Powerglide, TH-350, TH-400, 700 R4 & All Borg Warner - Rubber/Steel Design - Use with TD-4536 or TD-9424	14.00 ea.



MAKE YOUR WINDOWS WORK AND LOOK LIKE NEW!

The door windows on your Ford pickup will seal tighter, operate smoother and look better when you install a complete WINDOW ANTI-RATTLER KIT authentically reproduced by Dennis Carpenter. For a step-by-step photo demonstration, Emerson Duke volunteered his 1950 pickup. Our Jim Lentz performed the project. [kit for two doors is #7C-8121460-CA, model years 1948-52. Kits available for years 1953-56. Includes division bar assembly, door glass runs, and "Fuzzy" anti-rattlers. Vent Window rubber seals, part #7C-812448-PR are a separate purchase, as are door seals, part #8C-8120530-PR.



Loosely unscrew the division bar to facilitate the removal of the window regulator arm. Remove door glass run around window opening in door.



Remove all door handles and mechanism. Remove cover to access opening. Unscrew door latch mech. Helper holds window while removing screws



Disengage window from regulator arm. Rest in bottom of door. Unscrew window regulator arm and remove through opening.



Now carefully remove door glass from door through access opening.



Unscrew and remove division bar through opening.



Unscrew and remove vent window assembly. If desired, repaint the assembly with a fast-drying pain before continuing.



Install new glass run making sure clip in reverse side of run is secured in slot in door. "Fuzzy" anti-rattlers can be installed at this point.



When installed, rubber seal will fit loosely. Pressure of tightening will adjust the fit. Re-install door parts in reverse order beginning with division bar.



On bench, shape new door glass run to correct curve by fitting over door window. Note that position of clip on reverse side of run matches to slot in door.



On bench, install vent window rubber. A light spray of silicone will facilitate the installation.





www.dennis-carpenter.com

DENNIS CARPENTER EMBROIDERED CASUAL WEAR

Ultra Cotton Heavyweight GOLF Shirts

\$22

on Golf Shirts ONLY and while supplies last

Ultra Cotton Golf Shirt

99% cotton preshrunk, 1% polyester.

- DCF-2917 Dennis Carpenter Ford Golf Shirt. \$22.00
- DCT-2917 Carpenter Ford Tractor Golf Shirt. \$22.00
- DCC-2917 Carpenter Cushman Golf Shirt. \$22.00

Adult size shirts from S to XXXL

FREE SHIPPING!

on Golf Shirts ONLY and while supplies last



Classic Cushman Scooter

Classic Ford Tractor

Classic 1940 Convertible



TO ORDER

TOLL FREE: 1-800-476-9653

ONLINE: www.dennis-carpenter.com

FAX: 704-786-8180 (Please allow 2 weeks for delivery)



Comes in Black or Khaki

Khaki or Black Colored All-Star Caps

100% brushed cotton, low profile cap with velcro back.

- DCF-2917 Khaki Dennis Carpenter Ford Cap. \$15.00
- DCF-2917-B Black Dennis Carpenter Ford Cap. \$15.00
- DCT-2917 Khaki Carpenter Ford Tractor Cap. \$15.00
- DCT-2917-B Black Carpenter Ford Tractor Cap. \$15.00
- DCC-2917 Khaki Carpenter Cushman Cap. \$15.00
- DCC-2917-B Black Carpenter Cushman Cap. \$15.00

MAIL TO: Dennis Carpenter Ford Reproductions 4140 Concord Parkway So., Concord, NC. 28027



www.dennis-carpenter.com

Light Blue Denim Long and Short Sleeved Shirts
100% cotton, button down collar with V-top pocket.
Adult size shirts from S to XXL

\$28

DCF-CC10-D Long sleeved Dennis Carpenter Ford denim shirt. S, M, L, XL
DCF-CC16-D Short sleeved Dennis Carpenter Ford denim shirt. S, M, L, XL

DCT-CC10-D Long sleeved Ford Tractor denim shirt. S, M, L, XL
DCT-CC16-D Short sleeved Ford Tractor denim shirt. S, M, L, XL

DCC-CC10-D Long sleeved Cushman denim shirt. S, M, L, XL
DCC-CC16-D Short sleeved Cushman denim shirt. S, M, L, XL

DENNIS CARPENTER EMBROIDERED CASUAL WEAR

Shipped straight from our supplier to you.



FREE SHIPPING!

on Denim ONLY and while supplies last

TO ORDER
TOLL FREE: 1-800-476-9653
ONLINE: www.dennis-carpenter.com
FAX: 704-786-8180 (Please allow 2 weeks for delivery)

MAIL TO: Dennis Carpenter Ford Reproductions 4140 Concord Parkway So., Concord, NC. 28027

Index

A

Abs Fireall Covers	77
Accelerator Parts	44
Accelerator Pedal	44
Accelerator Pedal Rod Seals	83
Air Deflector	34
Air Deflector - Grille	34
Air Deflector Seal	34
Antenna	75
Anti-Rattler	84-88
Anti-Squeak	64
Apparel	114-115
Armatures	45
Arm Rest	93
Arm Rests	93
Ashtray Knob	77
Ash Tray Knob	77
Axle Bearing	10
Axle Bearings	10
Axle Bumpers	13
Axle Bumpers	13

B

Back Edge Of Vent Window Seal .	84-86
BackIng Plate Gasket	10
Back Edge Of Vent Window Seal .	86-88
Back Window	78
Back Window Rubber	78
Battery Cables	46
Battery Hole Cover	77
Battery Tray	46
Bearings	
Camshaft	26
Front Wheel	10
Generator	45
Mains	27
Rear Axle	10
Rod	26
Bearing Retainer Gasket	10
Beauty Rings	9, 74
Bed Related Parts	101
Bed Side	101
Bed Strips	102
Bed Strip Bolts	103
Bed To Frame Parts	104
Belts	39
Bendix	48
Bendix Spring	48
Blue Dots	58
Books	106

Bottom Of Cab To Running	
Board Seals	64
Brake Adjusting Hole Cover	11
Brake Arm Floor Seal	17
Brake Cables	12
Brake Drums	10
Brake Hoses	11
Brake Hoses	11
Brake Light Switch	12, 50
Brake Light Switch	12
Brake Line Kits	12
Brake Line Outlet Block	12
Brake Parts	10-13
Brake Pedal Arm Bumpers	13
Brake Pedal Pad	13
Brake Retracting Spring	11
Brake Shoe Hold Down Kit	11
Brake Springs	11
Breather Screen	30
Bulbs	108
Bumpers	72
Bumper Brackets	72
Bumper Stickers	106
Bushing - Shackle	20

C

Cables - Batterie	46
Cab Arm	21
Cab Corners	96-97
Cab Skirt Channel	98
Cab To Frame Mounting Bolt Kits	21
Cab To Frame Mounts	21
Cab To Frame Pads	21
Cab Weatherstrip Kit	79
Camshaft	26
Camshaft	26
Camshaft Bearing Set	26
Camshaft Thrust Plate	26
Camshaft Timing Gear	26
Canceling Cam	55
Cap Gasket - Master Cylinder	12
Carburetor	43
Carburetors	43
Carburetor Repair Kits	43
Choke Bezel	47
Choke Cable	44
Choke Parts	44
Cigar Element & Well	61
Cigar Knob	61
Cigar Lighter	61
ClusTer Bezel	47
Clutch Arm Floor Seal	17
Clutch Disc	32
Clutch Disc & Pressure Plate	32
Clutch Parts	32
Clutch Pedal Arm Bumpers	13

Clutch Pedal Pad	13
Clutch Release Bearing	32
Clutch Release Parts	32
Coils	52
Column Shift Parts	31
Condenser	53
Connecting Rod	26
Cotter Pin	10
Cover Plate - Master Cylinder	12
Cowlwiring	60
Cowl & Floor Pan Rubber Plugs ...	99
Cowl Lacing	67
Cowl Lacing Kit	67
Cowl Patch Panels	96, 97
Cowl To Fender Seals	62
Cowl Vent	78
Cowl VENT Gasket	78
Crankcase Breather Screen	30
Crankshaft	27
Crankshaft Pully	27
Crankshaft Timing Gear	27
Crossover Pipes	19
Crossover Wire - Headlight	50, 60
Crossover Wire - Tailgate	60
Crossover Wire - Temp. Senders ...	61
Custom Cab Grille Hash Marks	35
Custom Cab Grille Teeth	35
Cylinder Block Sleeve	25
Cylinder Head	25
Cylinder Heads	25
Cylinder Head Bolt	25
Cylinder Head Gaskets	24

D

Dash Bezel	47
Dash Bezels	47
Dash Knobs	80
Dash Wiring	60
Data Plate	59
DecalS	107
Defroster Hose	76
Differential	13
Differential Parts	13
Distributor	53-54
Distributors	53
Distributor Cap	53
Distributor Tag	52
Distributor Vacuum Advance	52
Division Bar Assembly	86-88
Dome Light	59
Dome Light	59
Dome Light Bulb	108
Dome Light Wiring	60
Door & Dash Stainless Trim	83
Door Arm Rests	93
Door Emblems	93

Door Glass Lift Channel	84-85, 87-88	Exhaust Deflectors	19, 74	Fuel Tank Filler Pipe	40
Door Glass Run		Exhaust Gaskets	19	Fuel Tank Neck Grommet	40
1948-52	84, 86	Exhaust Manifold Gaskets	43	Fuel Tank Sending Unit	41
1953-55	84, 87	Exhaust Pipes	19	Fuel Tank Sending Unit Floats	41
Door Glass Run Kits	84-88	Exhaust Valve	28	Fuel Tank Straps	40
Door Handle	91-92			Fuses	61
Door Handle Escutcheons	92	F		G	
Door Handle Pads	91	Fan Belts	39	Gasket Sets	24
Door Handle Shaft Repair Kit	90	Fenders - Rear	63	Gas Cap	40
Door Hinge	92	Fender - Front	62	Gas Pedal	44
Door Hinge Assembly	92	Fender Bolts	63	Gas Tanks	40
Door Hinge Bolts	90	Fender Brace	63	Gas Tank Caps	40
Door Hinge Pin	91	Fender Repair Panels	96	Gas Tank Connecting Hose	40
Door Jam Bumper	91	Fender Welt	63	Gas Tank Filler Pipe	40
Door Key Blank	17	Fiber Glass Firewall Covers	77	Gas Tank Neck Grommet	40
Door Latch	90	Field Coils	45	Gas Tank Related	40-41
Door Latch Assembly	90	Filler Neck Hose	40	Gas Tank Sending Unit	41
Door Lock	90	Firewall Covers	77	Gas Tank Sending Unit Floats	41
Door Lock Parts	90	Firewall Grommets	61	Gas Tank Straps	40
Door Panels	94	Flexible Fuel Line	42	Gear & Pinion Set	13
Door Parts	83-92	Flexible Fuel Lines	42	Gear Shift	31
Door Pillar Replacement	97	Floats - Sending Unit	41	Gear Shift Boot	31
Door Seals	78	Floor Mats	83	Gear Shift Insulator	31
Door Seal Retainer	98	Floor Panels	96	Gear Shift Knob	31
Door Shells	83	Floor Pans	98	Gear Shift Lever	
Door Skins - Outer	98	Floor Shifter Parts	31, 83	Grommet Repair Kit	32
Door Trim	83	Flywheel	27	Generator	45
Dove Tail	92	Flywheel Housing Cover	27	Generators	45
Dove Tails	92	Ford Key Chains	106	Generator Bearings	45
Drag Link	14	Ford Logo Key Black	17	Generator Belts	39
Drag Link	14	Front Axle Bumpers	13	Generator Bushing	45
Drain COcks	33	Front Body Mounts	97	Generator Tags	45
Drive Pinion Seal	13	Front Brake Drum	10	Glove Box	81
Drum Seals	10	Front Brake Hoses	11	Glove Compartment Bulb	108
		Front Bumpers	72	Grease Cap	10
E		Front Bumpers	72	Grille Air Deflector	34
Electric Fuel Pumps	43	Front Exhaust Pipes	19	Grille Bars	34
Electric Ignition System	52	Front Fender	62	Grille Emblems	35
Electric Wiper Motors	70	Front Hub Grease Cap	10	Grille Hash Marks	35
Electric Wiper Switch Parts	70	Front Hub Grease Seal	10	Grille Panel Letters	35
Emblems		Front Motor Mounts	25	Grille Parts	34
Door	93	Front Park Brake Cable	12	Grille Teeth	35
Grille	35	Front Shock Absorbers	74	Gull Wings Grille Moulding	35
Hood	65	Front Spring Shackle Parts	20		
Side Of Cab	65	Front Spring U-Bolt	20	H	
Taillight Lens Script	58	Front Universal Joints	31	Hanger Lock Pin	20
Emergency Brake	12	Front Wheel Bearing	10	Header Pipe	19
Emergency Brake Arm Clip	11	Front Wheel Cylinder	11	Headlight Bulbs	108
Engine	24-30	Front Windshield Seals	78	Headlight Crossover Wire	50
Engine Mount Kit	25	Fuel Lines	42	Headlight Dimmer Switch	50
Engine Overhaul Gaskets	24	Fuel Lines	42	Headlight Door	54
Escutcheon	92	Fuel Pump	42	Headlight Parts	54
Exhausts Manifolds	43	Fuel Pumps	42	Headlight Switch	50
Exhaust Clamps & Hangers	19	Fuel System	40-43	Headlight Switch	50
Exhaust Clamp Kit	19	Fuel Tanks	40		
		Fuel Tank Caps	40		

Headlight Wiring	60	King Pin Bolt Kit	14	Outside Rear View Mirrors.....	69
Headliner.....	95	King Pin Sets.....	14	Overdrive Cable.....	31, 77
Headliner Kit.....	95	Knobs - Dash.....	80	Overdrive Parts	31, 77
Head Bolt	25	L		Overdrive Switch.....	31, 77
Head Gaskets	24	Lens - Parking.....	55	Overhaul Gasket Set	24
Head Gaskets	24	Lens - Taillight.....	57	P	
Heater Parts.....	76	License Plate Bolts.....	59	Panel Trucks Parts.....	105
High Beam Indicator Bulb.....	108	License Plate Brackets.....	59	Parking Brake.....	12
Hood	66	Lights Bezel	47	Parking Light Assemblies	54-55
Hood Emblems.....	65	Literature.....	106	Parking Light Bulb.....	108
Hood Hinge.....	66	Locking Gas Cap.....	40	Park Brake Cables.....	12
Hood Hinge - F100-900.....	66	Lower Cab To Frame Pad.....	21	Park Light Wiring	60
Hood Hinge Parts.....	66	Lower Door Seal Retainer	96, 98	Patch Panels	96-98
Hood Latch Parts.....	66	Lower Grille Panel.....	34	Patenet Data Plate	59
Hood ReLated Seals.....	67	Lower Motor Mount	25	Pedal Arm Bumpers.....	13
Hood Side Emblems	65	Lug Bolt	9	Pickup Bed Wood	102
Hood Side Trim & Moulding.....	65	Lug Nut	9	Pickup Tube - Oil Pump	30
Hood Bumper Kit.....	67	M		Pinion Gear	13
Hood Locking Panel	66	Magnetic Signs.....	106	Pinion Seal	13
Horn Button	17	Main Bearings.....	27	Pinion Seals.....	13
Horn Button	17	Main Bearings.....	27	Pistons	26
Horn Button Spring.....	17	Main Wiring Loom Grommet.....	61	Piston Rings	26
Horn Relay	17	Manuals.....	106	Pittman Arm.....	16
Horn Wiring.....	60	Master Cylinder Assemblies	12	Plugs - Spark.....	51
Hose Clamps	37	Master Cylinder Repair Kit.....	12	Plug Wires.....	51
Hub Caps.....	9	Master Cylinder Cover Plate.....	12	Points	53
I		Mirrors	69	Pressure Plate	32
Ignition Bezel.....	47	Motor Mount.....	25-26	Pressure Plates	32
Ignition Coils	52	Motor Mounts	25	Pressure Sending Unit - Oil	42
Ignition Cylinder Assembly.....	50	Motor Mount Kit.....	25	Push Rod	29
Ignition Key Blank.....	17, 50	Mufflers.....	19	Push Rod - Master Cylinder.....	12
Ignition Parts.....	53	Muffler Clamp	19	R	
Ignition Switch.....	50	N		Radiator.....	33
Ignition Switch.....	50	Name Plates	94	Radiator Caps.....	33
Ignition Tune-Up Kit	52	O		Radiator Drain Cocks.....	33
Inlet Pipe Gasket.....	19	Oil Filler Caps.....	30	Radiator Grille Air Deflector	34
Inner Door Bottoms	98	Oil Filter.....	30	Radiator Grille Panel Letters	35
Inner Drum Seal.....	10	Oil Filters	30	Radiator Hose Clamps	37
Inner Fender ApRon Bumpers	62	Oil Pan Gasket	24	Radiator Seal.....	34
Inner Fender Panels.....	62	Oil Pan Gaskets.....	24	Radiator Support Assembly	62
Inside Door Handle	92	Oil Pressure Sending Unit.....	42	Radiator Support Pads.....	33
Inside Rear View Mirror.....	69	Oil Pump	30	Radio 81	
Inside Rear View Mirrors	69	Oil Pump Assemblies.....	30	Radio Antenna	75
Instrument Cluster.....	47	Oil Pump Pickup Tube.....	30	Radio Hole Cover	81
Instrument Cluster Bezel.....	47	Operators Manual.....	106	Radio Speaker Grilles	81
Instrument Panel Bulb.....	108	Outer Beauty Rings.....	9, 74	Rear Axle	10
Intake Manifold Gasket.....	24	Outer Beauty Rings.....	9	Rear Axle Bearing.....	10
Intake Manifold Gaskets.....	24	Outer Door Skins	98	Rear Axle Bumpers.....	13
Intake Valve.....	28	Outlet Block - Master Cylinder.....	12	Rear Axle Parts	10
K		Outside Door Handles.....	91	Rear Brake Drum	10
Key Blanks.....	17, 50	Outside Door Handle Pads.....	91	Rear Brake Hoses.....	11
Key Chains.....	106	Outside Rear View Mirror	69	Rear Bumpers	72
Kick Panels	95			Rear Cab Corners.....	96, 97
				Rear Fenders	63

Rear Fender Bolts	63	Speedometer Driven Gear	68	T	
Rear Fender Brace.....	63	Spindle Bolt Kit	14	Tailgate	100-103
Rear License Plate Brackets.....	59	Spindle Bolt Kits.....	14	Tailgate	100-101
Rear Motor Mounts.....	25	Splash Pan Seal.....	34	Tailgate Bumper.....	100
Rear Park Brake Cable.....	12	Spring - Horn Button	17	Tailgate Chains & Brackets	100
Rear Roll Pan	72	Spring Hanger	20	Tailgate Hinges	100
Rear Shock Absorbers.....	74	Spring Shackle Parts	20	Taillight Assemblies	56
Rear Spring Shackle Parts.....	20	Spring U-Bolt.....	20	Taillight Bracket	58
Rear Universal Joints	31	Stainless Bumpers.....	72	Taillight Brackets.....	58
Rear View Mirror.....	69	Stainless Exhaust Deflectors.....	19	Taillight Bulb	108
Rear Wheel Cylinder.....	11	StAinless Vent Shades	74	Taillight Lens	57
Rear Window Rubber	78	Starter	33, 48	Taillight Lens Script	58
Rebuilt Carburetors.....	43	Starter Assemblies	48	Taillight Parts.....	56-59
Rebuilt Distributors.....	53	Starter Bendix	48	Taillight Wire & Socket.....	56
Release Bearing - Clutch	32	Starter Buttons	48	Taillight Wiring	60
Repair Panels	96-98	Starter Drive.....	48	Tailpipes.....	19
Rings - Pistons	26	Starter Ring Gear	33	Tailpipe Hanger	19
Ring Gear & Pinion Set	13	Starter Solenoid.....	47	Tank Filler Pipe.....	40
RinG Gear - Starter	33	Starter Solenoids	47	Tappets.....	29
Rocker Arms	29	Starter Parts.....	48	Temperature Sender	47
Rocker Panels.....	96, 97	Star Wheel Adjusting Screw	11	Temperature Sender	47
Rods	26	Steel Brake Line.....	12	Thermostats.....	37
Rod Bearings.....	26	Steel Brake Line Kits	12	Thermostat Housing.....	37
Rod Bearings.....	26	Steel Fuel Line	42	Throttle Bezel.....	47
Roll Pan.....	72	Steering Box Gasket Set	16	Throttle Cable.....	44
Roof Headliner Clips	95	Steering Bushing.....	16	Throttle Parts.....	44
Roof Headliner Rubber.....	95	Steering Column	17-18	Thrust Plate	26
Rotor	53	Steering Column Seals.....	17	Tie Rod End	14
Running Board.....	64	Steering Related Parts.....	16-17	Tie Rod Parts.....	14
Running Boards	64	Steering Wheel.....	16	Tie Rod Tube	14
Running Board Bolts.....	64	Steering Wheel.....	16	Timing Chain	26
Running Board Seals.....	64	Steering Worm And Shaft.....	16	Timing Gear	26, 27
Running Board Step Plate.....	64	Steering Worm Bearing	16	Transmission	31
S		Steering Worm Lower Race.....	16	Transmission Cover	83
Sector Shaft Adjusting Screw	16	Steering Worm Upper Race.....	16	Transmission Cover & Floor Seal..	83
Sector Shaft Bushing.....	16	Step Plate	64	Transmission Gasket Set.....	31
Sector Shaft Seal	16	Step Plates.....	64	Transmission Cover Seals.....	31
Shackle Bushing.....	20	Stoplight Switch.....	12	Transmission Seals & Gaskets.....	31
Sheet Metal	96-98	Striker Plates	91	Turn Indicator Light.....	55
Shifter Parts.....	31	Sunvisor	82	Turn Signal Lever Knob	55
Shift Arm	31	Sunvisor Bracket & Arm	82	Turn Signal Parts.....	55
Shift Boot.....	31	Sun Visor	82		
Shift Indicator	31	Switches		U	
Shift Knob.....	31	Brake Light.....	12, 50	U-Bolt	20
Shock Absorbers	74	Dome Light Switch	59	Underdash Cowl Kick Panels	95
Shop Manual	106	Headlight	50	Universal Engine Mounts	
Side Of Cab Emblems.....	65	Headlight Dimmer Switch.....	50	109-111, 110-112, 111-113	
Signal Flasher.....	55	Horn Relay	17	Universal Joints.....	31
Signal Lever Knob	55	Ignition Switch.....	50	UniVersal Joints.....	31
Sleeve - Cylinder Block	25	Oil Pressure Sending Unit.....	42	Upper Cab To Frame Pad	21
Slushing Compound.....	41	Starter Buttons.....	48	Upper Motor Mount.....	25
Spark Plugs	51	Starter Solenoids	47	Upper Steering Bushing.....	16
Spark Plugs & Wires.....	51	Turn Signal.....	55		
Spark Plug Wires	51	Wiper Switch.....	70	V	
Speedometer.....	68	Synchronizer Brass Rings	31	V-8 Emblems	35
Speedometer Cable	68				

V8 Emblems.....	35
Vacuum Advance.....	52
Vacuum Advance.....	52
Valance Panel.....	34
Valves - Intake & Exhaust.....	28
Valve Gaskets.....	24
Valve Guide.....	28
Valve Guide Related.....	28-29
Valve Stem Extension.....	9
Vent Shades.....	74
Vent Window.....	84, 86
Vent Window Frame- 53-55.....	87
Vent Window Frame Pivot.....	87
Vent Window Handle.....	86-88
Vent Window Rubber Seal.....	84-86, 86-88
Voltage Reducers.....	46
Voltage RegulatOrs.....	45

W

Water Pump.....	39
Water Pumps.....	39
Water Pump Belt.....	39
Water Pump Pullys.....	39
Water Pump Repair Kit.....	39
Weatherstripping.....	78-79
Weatherstrip Glue.....	79
Wheel Bearings.....	10
Wheel Cylinder.....	11
Wheel Cylinders.....	11
Wheel Cylinder Repair Kits.....	11
Wheel Seals.....	10
Wheel Stud.....	9
Wheel Trim Rings.....	9
Window Anti-Rattler Set.....	84-86, 86-88
Window Crank Escutcheons.....	92
Window Crank Handles.....	92
Window Regulators.....	93
Window Regulator Shaft Repair Kit.....	93
Window Shades.....	74
Windshield Seals.....	78
Wiper Arm.....	71
Wiper Bezel.....	47
Wiper Blade.....	71
Wiper Hose Grommet.....	61
Wiper Knobs.....	70
Wiper Motors.....	70
Wiper Parts.....	70-71
Wiper Pivot Bezel & Seals.....	70
Wiper Switch Parts.....	70
Wiring.....	60-61
Wiring.....	50-51
Wiring Clips.....	61
Wiring Conduit.....	56
Wiring Connectors.....	61
Worm Shaft - Steering.....	16

