

# DENNIS CARPENTER REPRODUCTIONS

FOR FORD CARS, TRUCKS, AND TRACTORS AND CUSHMAN MOTOR SCOOTERS

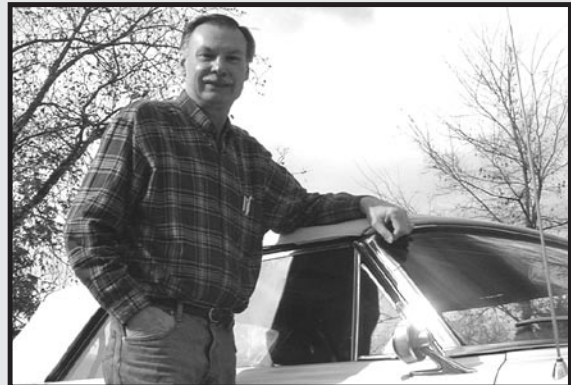
To answer the questions most often asked about Dennis Carpenter Reproductions for Ford products and Dennis Carpenter Cushman Reproductions, here is a brief history.

**C**ars have always fascinated me and I have been involved with them ever since I began tinkering at the age of thirteen. In the early 1960's I began restoring a 1940 Ford Deluxe convertible and found that certain restoration parts were extremely difficult to find, especially the plastic dash knobs and dash parts.

As a hobby, I began experimenting with plastic epoxies which I purchased from Science Hobbies in Charlotte, NC. Only after "burning the midnight oil" in my basement for a period of time was I able to perfect the plastics that I needed for the restoration of my convertible. Once the parts were produced to my satisfaction, we began manufacturing the product for others. Over the years, our manufacturing processes have expanded beyond plastic injection molding to include rubber compression molding and extruding, metal stamping, die-casting and other operations. In 1990, Dennis Carpenter Reproductions expanded it's bases even further by introducing a very diverse line of parts and accessories for classic Cushman motor scooters.



We at Dennis Carpenter Reproductions have carefully developed a reputation for manufacturing original style Ford products that are made to fit and look like the originals. For example, an original part is taken from an original Ford vehicle, a mold is made of that part and a prototype is produced. This prototype is then replaced onto



the vehicle from which it originally came and is checked for correct fit and finish and in some cases "outdoor endurance tested". Only after a part has satisfactorily passed all of these tests, will it become a Dennis Carpenter reproduction.

In order to provide our customers with a durable and authentic looking product, we purchase and use only the very best raw materials available on the market today. Our commitment at Dennis Carpenter Reproductions is to build quality products that our customers can install on their vehicles with confidence. From that commitment grew our motto: "Made Right, Fits Right, Lasts Longer."

Thanks to you, my friends and fellow car and truck buffs, we have grown considerably over the past 35 years. Many of you I have come to know personally and those of you I have not met, it seems that in some way or another we have become friends over the years. If you should ever be visiting the Charlotte area, you are welcome to stop by our showroom and manufacturing facility and see how we build our quality parts.

Thank you for choosing Dennis Carpenter Reproductions products for your Ford cars and trucks and Cushman Motor Scooters.

**- Dennis Carpenter**

# Free Parts Delivery

If you intend to go to one of the major auto, tractor, or scooter events listed below place your parts purchase with us 7 working days in advance of that event and Dennis Carpenter will deliver your parts purchase to our site at that event free of charge!

This opportunity can save you money on any parts order especially on large over-sized purchases. Dennis knows the value of saving money and he wishes to extend this special offer to all of his valuable customers.

## ***Dennis Carpenter attends the following Automotive Events in 2007 & 2008***

<b>EVENT</b>	<b>WHEN</b>	<b>WHERE</b>
<b>SPRING MOULTRIE</b>	Jan 31-Feb 2, 2008	Moultrie Auto Swap Meet, Moultrie GA.
<b>SPRING CHARLOTTE AUTO FAIR</b> Row HB spaces 40-49 <b>NEW OLD STOCK FORD PARTS FOR SALE</b> <i>at Dennis Carpenter store during Auto Fair</i>	APRIL 3-6, 2008	Lowe's Motor Speedway, Charlotte, NC.
<b>SPRING CARLISLE</b> row D, spaces 41-48	APRIL 23-27, 2008	Carlisle Fairgrounds, Carlisle, PA. Look for our tent.
<b>F100 SUPER NATIONALS</b>	MAY 15-17, 2008	Chilhowee Park, Knoxville, TN. (Near Knoxville Zoo)
<b>ALL-FORD NATIONALS</b> row D, spaces 35-48 row E, spaces 37-50	JUNE 6-8, 2008	Carlisle Fairgrounds, Carlisle PA.
<b>BACK TO THE 50'S CAR SHOW</b>	JUNE 20-22, 2008	State Fairgrounds, St. Paul, MN.
<b>EARLY FORD V8 CLUB of AMERICA (1932-1953)</b> <b>GRAND NATIONAL MEET</b>	JULY 13-19, 2008	Hyatt Hotel, Dearborn, MI.
<b>RIGHT COAST SYRACUSE NATIONALS</b>	JULY 17-20, 2008	Syracuse Fairgrounds, Syracuse, NY.
<b>STREET ROD NATIONALS</b> inside the EXPO Center	JULY 31- AUGUST 3, 2008	State Fairgrounds, Louisville, KY.
<b>SHADES OF THE PAST</b>	SEPTEMBER 5-7, 2008	Smokey River Ranch, Pigeon Forge, TN.
<b>FALL CHARLOTTE AUTO FAIR</b> Row HB spaces 40-49 <b>NEW OLD STOCK FORD PARTS FOR SALE</b> <i>at Dennis Carpenter store during Auto Fair</i>	SEPTEMBER 13-16, 2007 SEPTEMBER 11-14, 2008	Lowe's Motor Speedway, Charlotte, NC.
<b>GREAT SMOKEY MOUNTAIN AUTOFEST</b>	SEPTEMBER 26-28, 2008	Smokey Stadium, Sevierville, TN.
<b>FALL CARLISLE</b> row D, spaces 31-36	OCT 3-7, 2007 OCT 1-5, 2008	Carlisle Fairgrounds, Carlisle, PA. Look for our tent.
<b>FALL HERSHEY</b> row CW, spaces 70-81	OCTOBER 10-13, 2007 OCTOBER 8-11, 2008	Hershey, PA. Look for our tent in CHOCOLATE FIELD!
<b>FALL MOULTRIE</b>	NOVEMBER 15-17, 2007 NOVEMBER 21-22, 2008	Moultrie Auto Swap Meet, Moultrie GA.
<b>CUSHMAN MOTOR SCOOTER EVENTS</b>		
<b>26th CUSHMAN NATIONAL MEET</b>	JUNE 16-20, 2008	Dakota Co. Fairgrounds, Farmington, MINN.
<b>VINTAGE MOTORBIKE MEET</b>	JULY 15-18, 2008	Portland Fairgrounds, Portland, IN.
<b>FORD TRACTOR EVENTS</b>		
<b>NATIONAL FORD / FORDSON COLLECTORS ASSOCIATION ANNUAL SHOW</b>	JULY 1-5, 2008	Denton Farm Park, Denton, NC.
<b>TRI-STATE GAS ENGINE &amp; TRACTOR SHOW</b>	AUGUST 19-24, 2008	Portland Fairgrounds, Portland, IN.

**ORDER PARTS TOLL FREE: 800-476-9653 ORDER ONLINE: [www.dennis-carpenter.com](http://www.dennis-carpenter.com)**

## General Information

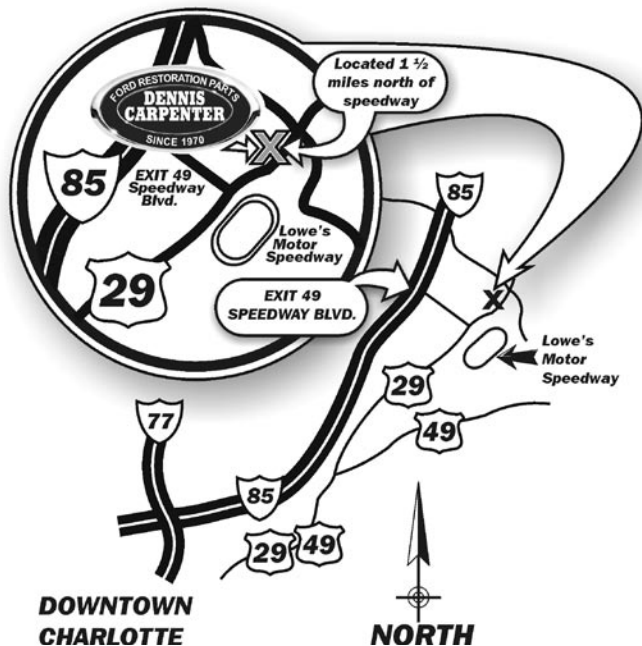
Dennis Carpenter Reproductions is a manufacturer and seller of Ford restoration parts. All of the parts in this catalog, with the exception of new old stock Ford parts, are reproduction or equivalent replacement type parts of Ford Motor Company parts and are represented or referenced by original Ford part numbers.

**Office Hours (Eastern Time):**  
**Monday through Friday 8:00 am - 5:00pm**  
**Saturday 9:00am - 12 noon**

We are closed the following holidays: New Year's Day, Memorial Day, July 4th, Labor Day, Thanksgiving Day, and Christmas Day. (If the holiday falls on Saturday, Friday will be taken. If the holiday falls on Sunday, Monday will be taken.)

### Return Address:

4140 Concord Parkway, S.  
Concord, North Carolina 28027



This catalog supersedes all previous editions, including prices. Due to supplier price increases and decreases **PRICES ARE SUBJECT TO CHANGE WITHOUT NOTICE.**

All rights reserved. No part of this publication may be copied, reproduced, stored in any retrieval system, communicated or transmitted in any form by any means without prior approval.

Carpenter Industries Inc.

## Order a CATALOG:

Dennis Carpenter has over 17 catalogs to order from. To get a free catalog simply call us at

**1-800-476-9653**

Catalogs are sent bulk mail and may take 2 to 3 weeks for delivery.

Catalogs can also be ordered over our website. If you'd like a catalog sooner we can mail you one 1st class for only \$3 plus postage.



## Customer Number

When you order with us for the first time you're assigned a customer number. This helps us easily keep track of your order. If you have one of our catalogs you can write down your customer number for easy reference in the bottom corner of the front cover of our catalog.

## Payment

Although personal checks are welcome, expect a two week delay in shipping to allow the check to clear the bank. Money orders, bank certified checks, Discover, MasterCard, Visa, and American Express may also be used. No C.O.D.'s.



Due to supplier price increases and decreases, **PRICES ARE SUBJECT TO CHANGE WITHOUT NOTICE.**

**Due to carrier rate increases shipping costs are subject to change without notice.**

**Thank you for shopping with  
Dennis Carpenter!**

## ***How to Order***

There are a number of convenient ways for you to order your parts from Dennis Carpenter Ford Reproductions. We have skilled operators waiting every day to take your order by phone. You can also send your order by fax, mail or go online. See all the details below for each of the ordering methods.



### **Phone 1-800-476-9653** Orders Only (Toll Free)



Our Phone Representatives are at your service Monday through Friday 8am 'til 5pm. Please have your customer number ready and all part numbers if calling on the toll free number.

***We're waiting to  
take your  
order!!***



### **Web**



**[www.dennis-carpenter.com](http://www.dennis-carpenter.com)**

If you have a computer and the internet jump online and visit us. There's tons of information on our website and we offer secure online ordering. Come see us today.

### **Fax**



**704-786-8180**

Fax your completed order form along with year, make and model of the vehicle you are ordering for and your credit card information including the last 3 digits in signature strip on back, right of card, 4 digits on front for AMEX (small, printed together). Be sure to include a daytime phone number (including area code).

### **Mail**



Please list year, make and model of vehicle for which you are ordering, complete part numbers, and description. Include daytime telephone number (including area code). Provide complete address with street name and house number. Mail to the mailing address below. If ordering with credit card please include the last 3 digits in signature strip on back, right of card, 4 digits on front for AMEX (small, printed together).

***Thank you for shopping with Dennis Carpenter!***

# Order Information & Policies

To get decisive answers to your parts questions call the

## Dennis Carpenter Help Team



**704-786-8139**

*Don't let uncertainty delay your vehicle Restoration*

Ordering the right parts the first time is essential to completing a successful and satisfying restoration. At Dennis Carpenter Reproductions we understand that this seemingly simple procedure can sometimes be challenging and we have just the group to help you through the process. Introducing the Dennis Carpenter Help Team.

If you have concerns or questions about whether you are ordering the right parts for your Ford's restoration, a call to our Help Team will get you some decisive answers.

## CARPENTER SHOWROOM



Be sure to visit our retail showroom in Concord, North Carolina, where you can purchase parts or browse our parts displays. We are located just 1 1/2 miles from LOWE'S Motor Speedway.

## Using the Catalog

Below is an example of a listing in our catalog. It is broken up into separate columns to help you find the parts you need. In the first column is the original Ford part number. This is the number to use when ordering a part.

The second column contains a letter that corresponds to the letter found next to a part photo or illustration. This allows you to easily find and connect the part information to a picture.

In the third column is the model that the product fits followed by the year and the always competitive Dennis Carpenter price.

### EXAMPLE LISTING

PART #	PIC	DESCRIPTION	MODEL	YEAR	PRICE
B9A-13532-A	(B)	<u>Headlight Dimmer Switch</u>	F100-350 Bronco	67-79 78-79	11.00 ea.
C5ZZ-13533	(C)	<u>Headlight Dimmer Switch Rubber Cover</u>	ALL		4.00 ea.



All of the parts in this catalog, with the exception of new old stock Ford parts, are reproduction or equivalent replacement type parts of Ford Motor Company parts and are represented or referenced by original Ford part numbers.



Reproduction Ford parts made from obsolete Ford tooling that are licensed by but not manufactured by Ford are identified as Classic Parts From Original Tooling.



A reproduction part that duplicates a Ford licensed by but not manufactured by Ford is identified as an Official Licensed Product.

**Merchandise Returns:**

Please inspect the merchandise upon arrival. Returns within 30 days of shipping date are acceptable. After 30 days a 20% restocking charge will be applied. After six months a 50% restocking charge will be applied. For no reason will merchandise be accepted after one year. All returned merchandise must be accompanied by a copy of the invoice, a merchandise return authorization form included with your order and a return authorization number. Failure to have a return authorization will result in a delay and your item will be held until we can process the claim. Please call 1-800-476-9653 for a return authorization number.

**Claims:**

All claims must be taken up with Dennis Carpenter Reproductions. Please inspect the merchandise upon receipt. If damage is found, contact our customer service dept. within 7 days. Please keep merchandise in the original carton for the carrier to inspect. No claims accepted after 15 days.

**Electrical Items:**

**ALL ELECTRICAL ITEMS ARE  
NON-RETURNABLE**

**ALL SALES ARE FINAL.**

This includes Starters, Distributors, Distributor Caps, Coils, Points, Switches, Spark Plugs, Fuses, Light Bulbs, Wiper Motors & Pumps, and all Wiring Harnesses & Connectors.

**Carburetor Returns:**

Our carburetors are built to factory specifications and are in proper working condition when they leave our facility. During installation, be sure not to strip threads at any connections. Be sure there is no water or debris in the gasoline. Do not attempt to disassemble the carburetor or make any repairs. If you suspect the carburetor is defective call our CUSTOMER SERVICE DEPT @ 1-800-476-9653, OPTION 2 and request a Return Authorization Number.

Place the item back in the original packaging and return to Carpenter Industries via UPS GROUND only. When received back, we will test for any defective or damaged areas. If found to be defective, we will replace or issue a full refund, including return shipping. If the carburetor has been damaged during installation, no refund will be given and the carburetor will be returned to the customer at the customer's expense.

**Warranty**

*We guarantee to replace or at our option, repair any product or parts which are found to be defective in material or workmanship within one year from the date of shipment. Our obligation with respect to such products or parts shall be limited to replacement or repair and in no event shall we be liable for consequential or special damages, or for transportation, installation, adjustment, or other expenses which may arise in connection with such products or parts. THIS WARRANTY EXPRESSLY MADE IN LIEU OF ANY AND ALL OTHER WARRANTIES EXPRESSED OR IMPLIED INCLUDING THE WARRANTIES OF MERCHANTABILITY AND FITNESS.*



# SHIPPING INFORMATION

## Additional Handling Charges

The chart at right reflects shipping charges based on standard size items. Please allow an additional **\$20.00** for individual items over 60" in length or odd shaped and bulky items. For example: bed strips, bedwoods, bumpers, and exhaust pipes. Allow an additional \$40.00 for items such as tailgates, grille shells, floor pans, and firewall covers. Extremely large or heavy items such as fenders, fender aprons, doors, truck headliners, scooter bodies and frames will require a **\$50.00 - \$80.00** handling fee. These items are sometimes shipped by a freight truck, freight collect to your door, depending on where you are located in the USA.

## Oversize Charges

Even though a box only weighs 10 lbs., it may be necessary to ship it as a 30 lb., 70 lb., or even a 90 lb package, depending on the overall size of the box. This is a requirement of the parcel carriers.

## Next Day Air Service

Next Day Air Service is available.

## Domestic Ground Shipments

Our preferred carriers are FedEx and UPS. We will make an exception to ship by the US Postal Service for orders valued under \$100.00, size allowing. Tracking numbers are not available for postal service orders. Parts orders being shipped by the postal service will not leave our facility until the following Thursday. Minimum shipping charge is \$8.00, regardless of shipping method.

## International Shipments

Please call or email for estimates on shipping charges for international shipments.

For Canada orders, all customs fees and shipping charges will be prepaid & added to the order total if shipping by ground. (If shipping by the US Postal Service or air service to Canada, only the shipping charges will be prepaid). CANADA CUSTOMS FEES ARE CALCULATED @ 24% OF THE PARTS ORDER VALUE (USD). FOR ALL OTHER COUNTRIES, THE SHIPPING CHARGES ONLY WILL BE PREPAID & CUSTOMS FEES WILL BE COLLECTED BY THE CARRIER AT TIME OF DELIVERY. Catalogs are mailed by the U.S. Postal Service.

Our preferred carriers are FedEx and UPS. We will make an exception to ship by the US Postal Service for orders valued under \$100.00 (USD), size allowing. Tracking numbers are not available for postal service orders. Please allow 30-45 days for delivery of orders by the postal service. No surface mail. Parts orders being shipped by the postal service will not leave our facility until the following Thursday.

Orders are shipped by our preferred carriers. Special services are available for an additional charge.

Please call for estimates on shipping charges for International Shipments.

## Estimated Shipping Rates, Handling Charges and Special Services

Regardless of the size or value of the order, our minimum shipping and handling charge is \$7.50 plus \$.50 insurance. Please review the chart below for rate ESTIMATES.

<u>Value</u>	<u>Rate</u>
\$.01 - \$20.00.....	\$8.00*
\$20.01 - \$99.99.....	\$10.00*
\$100.00 - \$199.99....	\$13.00*
\$200.00 - \$299.99....	\$16.50*
\$300.00 - \$399.99....	\$19.50*
\$400.00 - \$499.99....	\$22.50*
\$500.00 - \$599.00....	\$25.50*
\$600.00 - \$699.99....	\$28.50*
\$700.00 - \$799.99....	\$31.50*
\$800.00 - \$899.99....	\$34.50*
\$900.00 - \$999.99....	\$37.50*

\*includes insurance and handling

\$1,000.00 - \$1,999.99:

Add 3% of the order value for shipping plus \$.50 per \$100.00 of order value for insurance = rate ESTIMATE

\$2,000.00 - \$3,499.99:

Add 2.5% of the order value for shipping plus \$.50 per \$100.00 of order value for insurance = rate ESTIMATE

\$3,500.00 and up:

Add 2% of the order value for shipping plus \$.50 per \$100.00 of order value for insurance = rate ESTIMATE

*(Additional charges may apply. Read Additional Handling Charges & Oversize Charges at left)*

# What does it mean?

CLASSIC describes desirable Ford cars or trucks usually 25 years old or older such as aunt Edna's 1955 Fairlane 2 door Club Sedan.

A most important symbol assuring customers of the true origin and authenticity of the classic parts produced from this program. They're also the company responsible for making the tooling in the first place.

PARTS describes the pieces of which something as a whole is composed. For example the hub caps found on aunt Edna's 1955 Fairlane 2 door Club Sedan.



FROM is a function word to indicate the source.

**0001**

These numbers identify Dennis Carpenter Ford Reproductions as the first member of a select group to manufacture parts off original tooling, parts which comply with quality standards established by Dennis Carpenter and the Ford Motor Company. What this means is that we've dusted off certain tooling and starting using them again, continuing to make quality parts as good as the Ford originals.

ORIGINAL TOOLING describes the stamping dies, injection molds, roller dies and other tools of mass production that the Ford Motor Company used to manufacture the parts necessary to assemble their cars and trucks.

## An example or Original Ford Tooling at Work

### METAL STAMPING

Below a piece of .038 sheet steel has just been pulled from the first stage of a 6 stage stamping process which will ultimately produce 1961-66 Ford Truck headlight bezels. The initial shape of the bezel is easily recognizable within the pressed metal sheet.



### AUTHENTIC FORD FORMING DIES

At left, a final stamping stage bezel rests in the bottom half of the two piece forming die. 12 sets of dies are required to produce both the left and right headlight bezels, a tremendous amount of machinery to produce these seemingly simple parts.



**MADE ON**  
The ORIGINAL Ford Dies



### 1961-66 F100/700 HEADLIGHT BEZEL

Our stamped steel headlight bezels are shaped EXACTLY as the Ford originals and are available as unpainted steel or as shown above, dipped in our trademark triple chrome plating. A pair of chrome headlight bezels (left & right) are part #C1TZ-13064-PR.





# ***FRAME***

- Wheel Parts
- Brake Parts
- Steering
- Rear Axle
- Battery
- Exhaust
- Springs
- Frame

**FRONT WHEEL, HUB AND RELATED PARTS - 2 WHEEL DRIVE**

B-1012	Lug Nut - 1/2" x 20 - Conventional Wheels	F100/250 U-150	1980-86	.50 ea.
E1TZ-1102-D	Hub and Rotor Assy w/ 4 wheel drive,with Dana 44 model axle	F250-350	1980-84	150.00 ea.
D3TZ-1107-A	Front Hub Bolt Stud - right or left	F100/150	1980-86	7.00 ea.
LF-1131-A	Front Hub Dust Cap - 1 31/32" dia.	F100/150	1980-86	3.50 ea.
D3TZ-1190-A	Front Hub and Rotor Seal - disc brake	F100/150	1980-89	10.00 ea.
D0AZ-1201	Front Hub Inner Bearing - disc brake	F100/150	1980-89	12.50 ea.
D0AZ-1202	Front Hub Inner Bearing Cup - disc brake	F100/150	1980-89	6.00 ea.
D0AZ-1216	Front Hub Outer Bearing - disc brake	F100/150	1980-89	12.50 ea.
D0AZ-1217	Front Hub Outer Bearing Cup - disc brake	F100/150	1980-89	4.50 ea.
72054-S	Cotter Pin for Front Wheel Nut	F100/150	1980-89	.25 ea.
8A-1705	Valve Stem Extension - Set of (4) - 3/4"			1.00 set

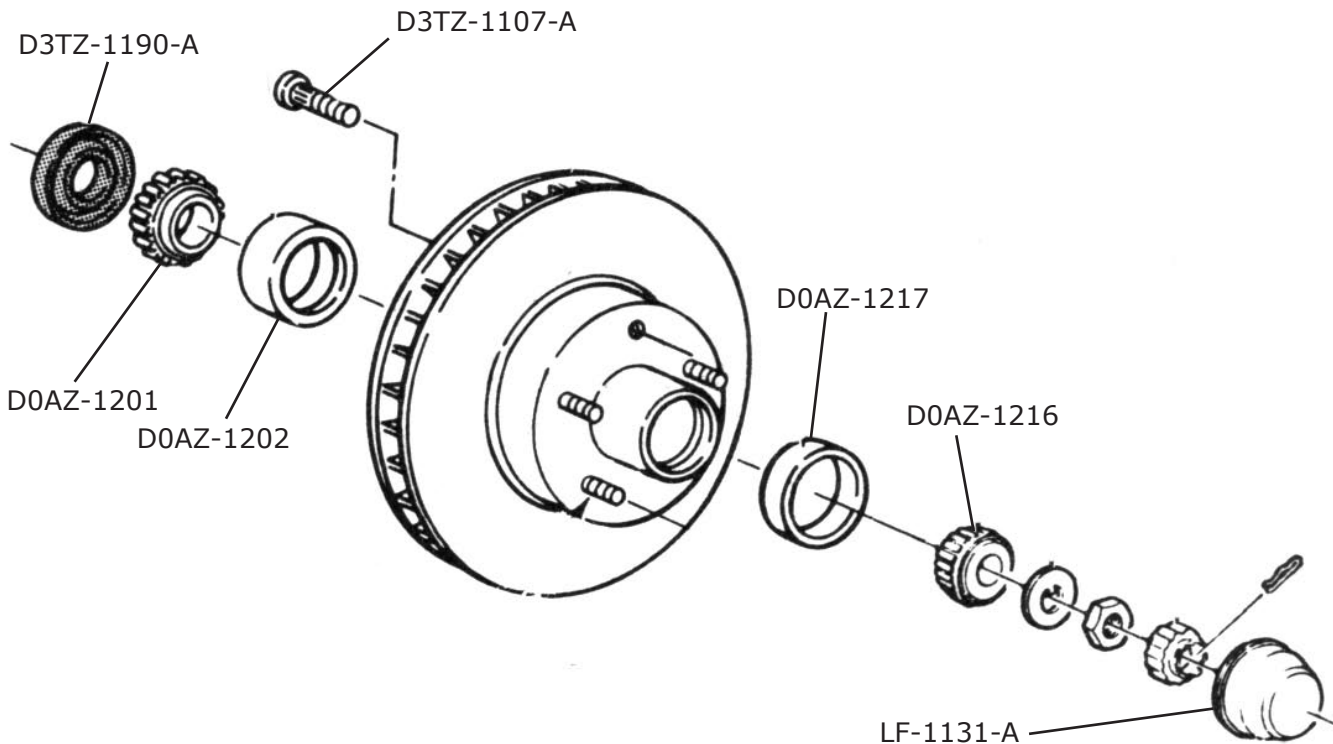


DIAGRAM FOR REFERENCE ONLY

**HUB CAPS**

D6TZ-1130-A	Hub Cap - 15 1/8" dia. w/ Ford Crest	F100/350	1976-80	<b>65.00 ea.</b>
D7TZ-1130-A	Hub Cap - 10 3/4" dia. 5 openings with black ring in center	F100/150	1977-89	<b>20.00 ea.</b>
E5TZ-1130-D	Hub Cap - Rear Aluminium w/ Black Ring	F250/350	1985-89	<b>35.00 ea.</b>
D8TZ-1130-C	Hub Cap - 12 5/16" dia. Bright Aluminum with black ring	F100/150	1978-89	<b>50.00 ea.</b>
E1TZ-1130-A	Hub Cap - 16 1/4" dia. Mag Type - argent	F100/150	1978-87	<b>Coming</b>
E7TZ-1130-E	Hub Cap - 16 1/11 dia. Mag Type - Black & Argent	F150	1987-91	<b>160.00 ea.</b>
E5TZ-1130-E	Hub Cap 12 1/8" dia. Aluminum - 4 w/d full, Semi Float Axle, Front Wheel Only	F250	1985-86	<b>50.00 ea.</b>
D5TZ-1130-A	Hub Cap - Metal & Plastic - Ford Tooling	F100/150	1977-86	<b>150.00 ea.</b>



D8TZ-1130-C



D6TZ-1130-A



E1TZ-1130-A



D7TZ-1130-A



E5TZ-1130-E

**HUB CAP CENTER ORNAMENTS AND EMBLEMS**

D7TZ-1130-K	Hub Cap Red Center Ornament - 7 1/8" dia. For Styled Wheels	F100/150 Rear - U150	1977-89	<b>50.00 ea.</b>
E2TZ-1130-C	Hub Cap Chrome Center Ornament - 7 1/8" dia. for Styled Wheels	F100/150 Rear - U150	1982-89	<b>65.00 ea.</b>
E2TZ-1137-A	Hub Cap Center Emblem For E2TZ-1130-C Hub Cap	F100/150	1982-89	<b>15.00 ea.</b>



D7TZ-1130-K



E2TZ-1130-C



E2TZ-1137-A

**WHEEL TRIM RINGS**

E5TZ-1210-A	Wheel Trim Ring for 16" x 6" rim	F-E 250-350	1985-86	<b>50.00 ea.</b>
E2TZ-1210-A	Wheel Trim Ring for 15" x 6" 15" x 7", 15" x 8" rim w/ red ring	E-F 100-150, Bronco	1982-87	<b>35.00 ea.</b>



E2TZ-1210-A



E5TZ-1210-A

**REAR AXLE BEARING AND SEALS**

C9AZ-1177-A	Rear Axle Seal - 10 x 2 1/2 brakes	F100	1980-82	<b>8.00 ea.</b>
D4AZ-1177-A	Rear Axle Seal - 11 1/32" x 2 1/4" brakes	F100/150	1980-86	<b>12.00 ea.</b>
8M-1225-B	Rear Axle Bearing - 10" x 2 1/2" brakes	F100	1980-82	<b>40.00 ea.</b>
D4AZ-1225-A	Rear Axle Bearing - 11 1/32" x 2 1/4" brakes	F100/150	1980-86	<b>39.50 ea.</b>

**SPARE TIRE BOLT**

E8TZ-1386-A	Spare Tire Carrier Lock for Swing Away Tire	Bronco	1988-96	<b>15.00 ea.</b>
E0TZ-1408-F	Spare Tire Bolt for Slide out carrier stationary bolt	F100-350	1980-96	<b>20.00 ea.</b>
E4TZ-1408-C	Spare Tire Wheel Bolt	F100-350	1984-86	<b>7.50 ea.</b>



E4TZ-1408-C



E0TZ-1408-F

**BRAKE PADS AND SHOES**

169-2001	Rear Brake Shoe & Lining Set - 10" x 2 1/2" brakes	F100	1980-82	<b>20.00 set</b>
263-2001	Rear Brake Shoe & Lining Set - 11 1/32" x 2 1/4" brakes	F100/150	1980-86	<b>50.00 set</b>



263-2001

**Front Disc Brake  
F100, 2 WD  
Single Piston**

**BRAKE PARTS - MISCELLANEOUS**

C4TZ-2041-S	Star Wheel Adjusting Screw Assembly - Left Rear - 11" Brakes	F100/150	1980-89	14.00 ea.
C1SS-2049	Rear Brake Adjusting Screw Spring - 10" brakes - 11" brakes	F100 F100/150	1980-82 1980-89	12.50 ea.
C8TZ-2065-R	Rear Brake Hardware Kit - 11" brakes - for 1 axle	F100/150	1980-82	17.00 kit
C0MM-2036-A	Rear Brake Retracting Spring - Primary - 11" brake - 1 per side	F100/150	1980-89	4.00 ea.
C0MM-2035-A	Rear Brake Retracting Spring - Secondary - 11" brake - 1 per side	F100/150	1980-89	4.00 ea.
8A-2092	Brake Adjusting Hole Cover - Rubber	F100/150	1980-89	.50 ea.



C8TZ-2065-R

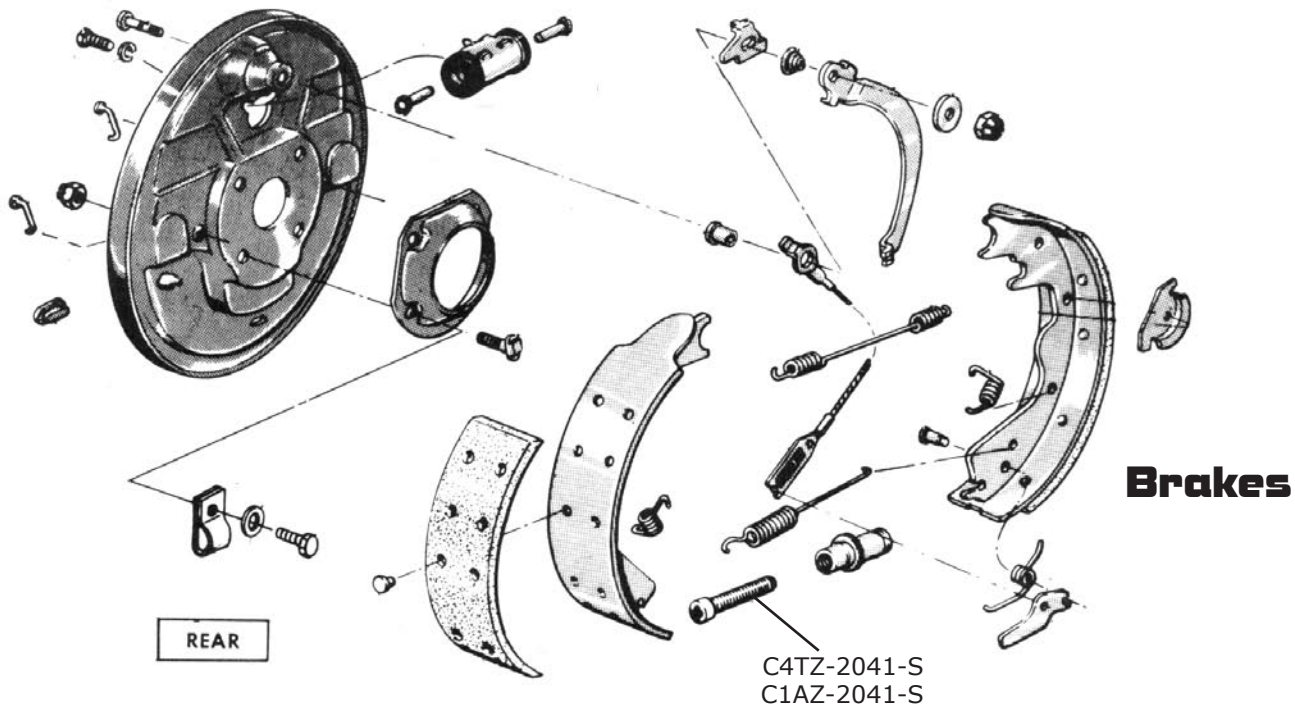


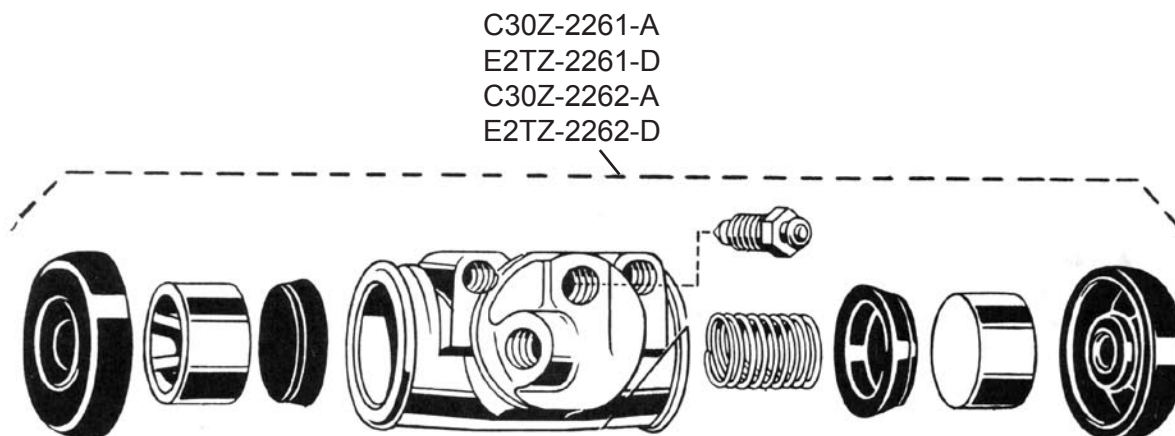
DIAGRAM FOR REFERENCE ONLY

**BRAKE HOSES**

E0TZ-2078-B	Brake Hose - Disc Brake - Front - Right Side - 2 & 4 Wheel Drive	F100/150	1980-89	<b>24.00 ea.</b>
E0TZ-2078-A	Brake Hose - Disc Brake - Front - Left Side - 2 & 4 Wheel Drive	F100/150	1980-89	<b>24.00 ea.</b>
E0TZ-2282-A	Brake Hose - Drum Brake - Rear - 2 wheel drive	F100/150	1980-89	<b>22.00 ea.</b>
E0TZ-2282-B	Brake Hose - Drum Brake - Rear - before 1-88 -4 wheel drive	F150	1980-88	<b>22.00 ea.</b>

**WHEEL CYLINDER ASSEMBLY - REAR - DRUM BRAKES**

E2TZ-2261-D	Rear Wheel Cylinder Assembly - Right Side - 15/16" 10" Brakes	F100	1980-82	<b>38.00 ea.</b>
E2TZ-2262-D	Rear Wheel Cylinder Assembly - Left Side - 15/16 " 10" Brakes	F100	1980-82	<b>38.00 ea.</b>
C30Z-2261-A	Rear Wheel Cylinder Assembly - Right Side - 15/16" 11" Brakes	F100/150	1980-89	<b>36.00 ea.</b>
C30Z-2262-A	Rear Wheel Cylinder Assembly - Left Side - 15/16" 11" Brakes	F100/150	1980-89	<b>36.00 ea.</b>



**Rear Brake Cylinder**

DIAGRAM FOR REFERENCE ONLY

**WHEEL CYLINDER REPAIR KITS**

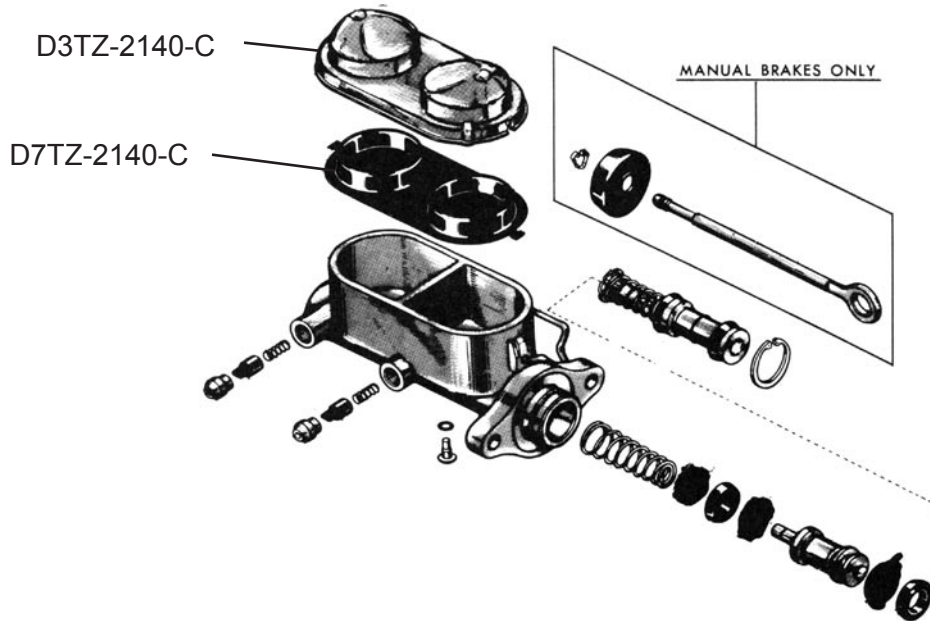
B2A-2128	Wheel Cylinder Repair Kit - Rear - 15/16" - Kit Does (1) Wheel	F100/150	1980-89	<b>10.00 ea.</b>
----------	--	----------	---------	------------------





**MASTER CYLINDER ASSEMBLY**

D3TZ-2140-C	Master Cylinder Assembly - without power brake	F100/150 U150	1980-86	<b>74.00 ea.</b>
D7TZ-2140-C	Master Cylinder Assembly - with power brake	F100/150 U150	1980-86	<b>70.00 ea.</b>



**Bendix Brake Master Cylinder**

DIAGRAM FOR REFERENCE ONLY

**MASTER CYLINDER REPAIR KITS**

D3TZ-2004-B	Master Cylinder Repair Kit - without power brakes	F100/150 U150	1980-86	<b>30.00 ea.</b>
D7TZ-2004-B	Master Cylinder Repair Kit - with power brakes	F100/150	1980-86	<b>24.00 ea.</b>



D7TZ-2004-B



D3TZ-2004-B

**PARKING BRAKE RELATED PARTS**

C8AZ-2091-A	Parking Brake Cable Adjusting Nut	F100/150	1980-89	<b>10.00 ea.</b>
C8SZ-2454-A	Parking Brake Pedal Pad	F100/350, U150	1980-89	<b>8.00 ea.</b>
E0TZ-2760-A	Parking Brake Release Handle	F100/350, U150	1980-89	<b>15.00 ea.</b>
E4TZ-2780-C	Parking Brake Control Assembly	F100/150	1980-89	<b>115.00 ea.</b>
E9TZ-15A851-A	Park Brake Switch	F100/350	1984-86	<b>6.00 ea.</b>



C8SZ-2454-A



E0TZ-2760-A

**CLUTCH AND BRAKE PEDAL RELATED PARTS**

B7A-2457-A	Clutch Pedal Pad - manual transmission	F100/350 U150	1980-89	<b>4.50 ea.</b>
B7A-2457-A	Brake Pedal Pad - manual transmission	F100/350 U150	1980-89	<b>4.50 ea.</b>
D3TZ-2457-A	Brake Pedal Pad - automatic transmission	F100/350 U150	1980-89	<b>5.00 ea.</b>
D8TZ-2471-A	Brake Pedal Bushing - automatic transmission	F100/350 U150	1980-89	<b>6.00 ea.</b>
E0TZ-2471-A	Brake and Clutch Pedal Bushing - manual transmission	F100/350 U150	1980-89	<b>3.50 ea.</b>
C9AZ-2474-A	Clutch Master Cylinder Push Rod Bushing manual transmission	F100/350 U150	1983-89	<b>5.50 ea.</b>
C9AZ-2474-A	Brake Master Cylinder Push Rod Bushing	F100/350 U150	1980-89	<b>5.50 ea.</b>



D3TZ-2457-A



B7A-2457-A

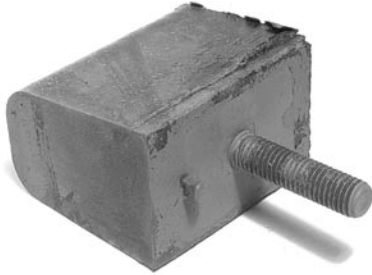
**UPPER BALL JOINT ASSEMBLY**

E0TZ-3049-B	Upper Ball Joint Assy.	F100	1981-82	<b>70.00 ea.</b>
-------------	------------------------	------	---------	------------------



**AXLE BUMPERS**

F4TZ-3020-AA	Front Axle Bumper	F100/350	1983-96	<b>12.00 ea.</b>
E0TZ-4730-A	Axle Bumper - Rear - without auxiliary springs	F100/150 U150	1980-89	<b>14.00 ea.</b>
E0TZ-4730-B	Axle Bumper - Rear - with auxiliary springs	F100/150	1980-89	<b>18.00 ea.</b>



E0TZ-4730-B



E0TZ-4730-A



F4TZ-3020-AA

*For Sale* **F O R D**  
**New Old Stock Parts**



Dennis Carpenter Ford Reproductions does offer Ford New Old Stock parts for sale. Our constantly changing inventory usually consists of parts from the 1930's up through the 1970's for both cars and pickup trucks. Please understand that these parts are not brand new and may display some shelf wear though they are a genuine Ford Motor Company part unless otherwise indicated. We cannot guarantee that we do have the part that you are looking for but if we do, you will be notified.

When inquiring about a part, please be as thorough in your description as possible. Supplying us with an original Ford part number for the part that you are searching for would be a great asset. Please indicate the number if you have it.

For us to respond to your request please include, (along with your part description) your name, a day time telephone number, a FAX number or an E mail address, and an address where the part is to be shipped.

**3 ways to contact our N.O.S. department**

**By U.S. MAIL** Send a self-addressed, stamped envelope and your parts request to:  
**Dennis Carpenter Ford Reproductions**  
**(ATTENTION N.O.S. DEPT.)**  
4140 Concord Parkway So. Concord, NC 28027

**By FAX** Fax your parts request to:  
**(ATTENTION N.O.S. DEPT.)**  
704-786-8180

**By E MAIL** E Mail your parts request to:  
**(ATTENTION N.O.S. DEPT.)**  
info@dennis-carpenter.com

**Sorry, no N.O.S. parts inquiries by telephone**

**PLEASE ALLOW 3 TO 6 WEEKS FOR RESPONSE**

**FRONT SUSPENSION BUSHINGS**

E3TZ-3B177-B	Front Axle Pivot Bushing - Forged Axle - 2 wheel drive	F100/150	1980-89	<b>10.00 ea.</b>
E1TZ-3B177-A	Front Axle Pivot Bushing - Stamped Axle - 2 wheel drive	F100/150	1981-83	<b>10.00 ea.</b>
E6TZ-3B203-A	Front Radius Rod Bushing - Front - 2 & 4 wheel drive	F100/150	1980-86	<b>6.50 ea.</b>
D9TZ-3B203-A	Front Radius Rod Bushing - Rear - 2 & 4 wheel drive	F100/150	1980-86	<b>6.50 ea.</b>
E1TZ-3B203-KIT	Radius Arm and Axle Pivot Kit w/ Stamped Axle Includes: 2 E1TZ-3B177-A Axle Pivot 2 E6TZ-3B203-A Front Frame End 2 D9TZ-3B203-A Rear Frame End	F100/150	1981-83	<b>40.00 kit</b>
E3TZ-3B203-KIT	Radius Arm and Axle Pivot Kit w/ Forged Axle Includes: 2 E3TZ-3B177-B Axle Pivot 2 E6TZ-3B203-A Front Frame End 2 D9TZ-3B203-A	F100/150	1980-86	<b>40.00 kit</b>

**RADIUS SUPPORT ARMS**

E0TZ-3B402-C	Radius Support Arm - Right Side - 4 w/d	F150	1980-82	<b>150.00 ea.</b>
E9TZ-3B403-A	Radius Support Arm - Left Side - 4 w/d unitized	F150	1986-91	<b>150.00 ea.</b>
E9TZ-3B402-A	Radius Support Arm - Right Side - 4 w/d	F150	1986-91	<b>150.00 ea.</b>
E0TZ-3A360-A	Axle Radius Arm	F150, U150	1980-86	<b>60.00 ea.</b>



E0TZ-3B402-C



E9TZ-3B403-A



E9TZ-3B402-A

**Front Suspension**

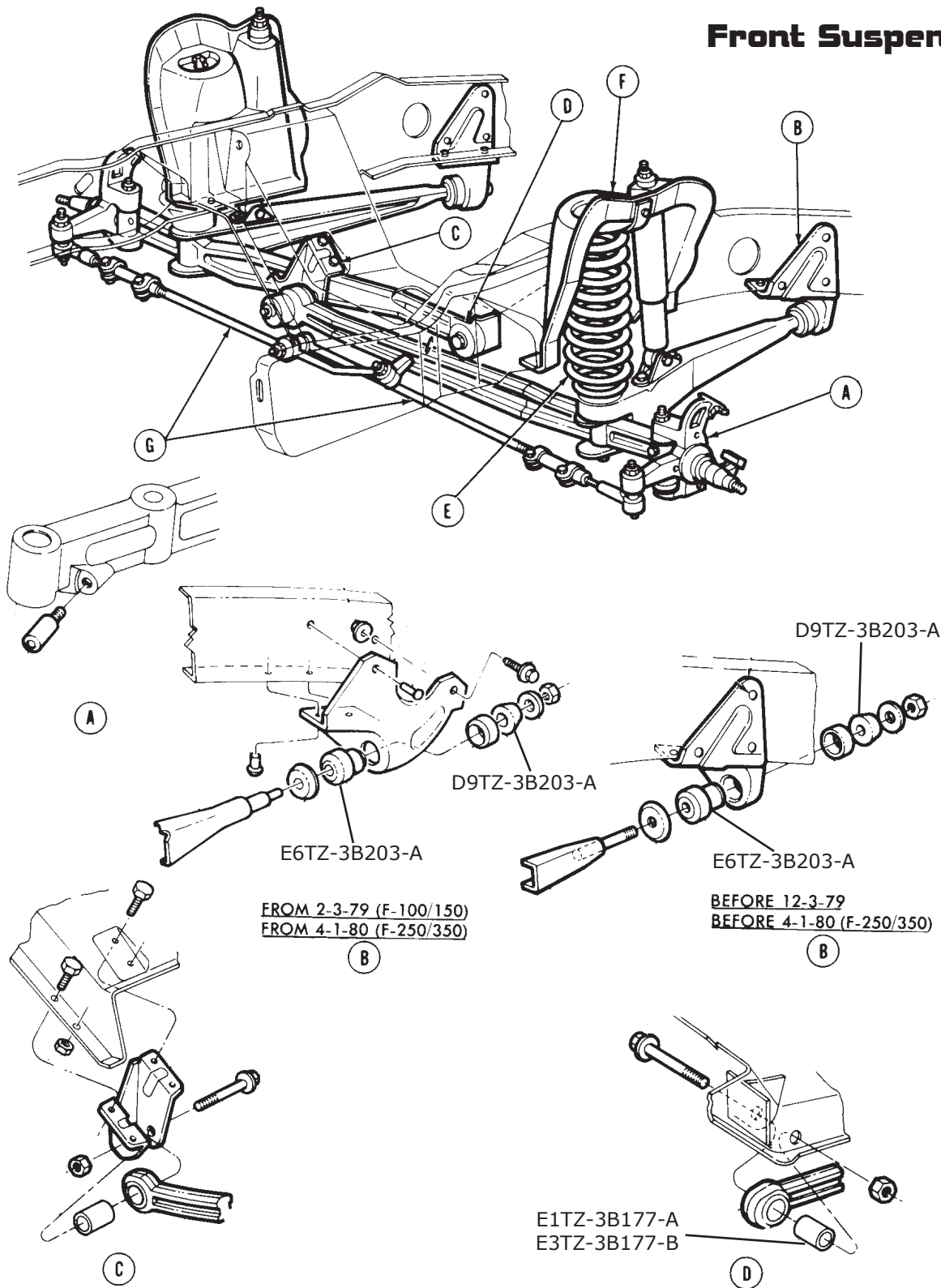


DIAGRAM FOR REFERENCE ONLY

**POWER STEERING GEAR BOX SEAL KIT**

D7AZ-3E501-B	Power Steering Gear Sector Shaft Seal Kit - with Ford Steering Gear	F100/350 U150	1980-89	<b>25.00 kit</b>
D7AZ-3E502-A	Power Steering Gear Input Shaft Seal Kit - with Ford Steering Gear	F100/350 U150	1980-89	<b>30.00 kit</b>



D7AZ-3E501-A

**STEERING COLUMN RELATED PARTS**

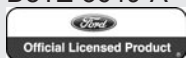
F23Z-3517-B	Steering Column Upper Bearing - with fixed wheel	F100/350 U150	1980-89	<b>17.00 ea.</b>
E0TZ-3517-B	Steering Column Lower Bearing - with fixed wheel	F100/350 U150	1980-89	<b>12.00 ea.</b>
E2AZ-3518-C	Steering Column Upper Bearing Retainer Sleeve - with fixed wheel	F100/350 U150	1980-89	<b>6.00 ea.</b>
D8BZ-3518-B	Steering Column Lower Bearing Retainer Sleeve - with fixed wheel	F100/350 U150	1980-89	<b>9.00 ea.</b>
E0TZ-3B676-A	Lower Shaft Steering Intermediate Assembly	F100/350	1980-81	<b>100.00 ea.</b>



F23Z-3517-B

**STEERING WHEEL**

D8TZ-3600-B	Steering Wheel in black without horn parts	F100/350	1980-86	<b>170.00 ea.</b>
E7TZ-3600-B	Steering Wheel in black without horn parts	F100/350, Bronco	1987-91	<b>250.00 ea.</b>
D8TZ-3649-A	Horn Button Plastic Emblem with "FORD" Comes in D8TZ-13A805-A	1978-86	F100/350 Bronco E100-350	<b>25.00 ea.</b>



E7TZ-3600-B



D8TZ-3600-B



D8TZ-3649-A



**KEY BLANKS**

C7AZ-3685-A	Ignition and Door Key Blank	F100/350, U150	1980-89	<b>2.50 ea.</b>
C7AZ-3685-B	Glove Box Key Blank	F100/350, U150	1980-89	<b>2.50 ea.</b>



**DIFFERENTIAL RELATED PARTS**

B7A-4035	Differential Housing Gasket - 9" Ford Rear End	F100/150, U150	1980-86	<b>5.00 ea.</b>
B8AZ-4209-C	Differential Ring Gear and Pinion Set - 3.25 ratio - 9" Ford Rear end	F100/150, U150	1980-86	<b>300.00 set</b>
B8A-4676-B	Differential Pinion Seal - 1 13/16" I.D. x 3" O.D. - 9" Ford Rear End	F100/150, U150	1980-86	<b>14.00 ea.</b>

**CAB TO FRAME MOUNTING KIT**

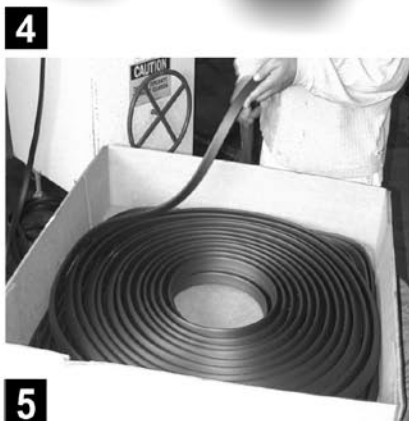
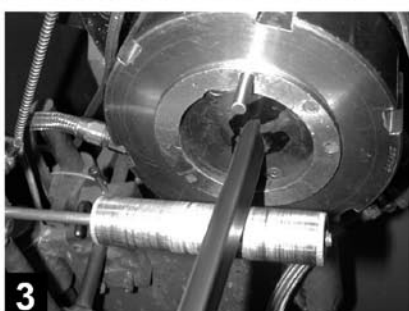
E8TZ-5400-S	Cab to Frame Mounting Kit - 4 x 2	F100/350	1980-89	<b>Coming</b>
-------------	-----------------------------------	----------	---------	---------------

**FRONT AND REAR STABILIZER BAR RELATED PARTS**

F1TZ-5K483-C	Front Stabilizer Bar Link Assembly - 4x2 - (2) per truck	F100/350	1980-89	<b>40.00 ea.</b>
E0TZ-5493-B	Front Stabilizer Bar Bushing - 4x2 - (2) per truck	F100/150	1980-89	<b>15.00 ea.</b>
E0TZ-5K484-C	Rear Stabilizer Bar Link Assembly - 4x2 - (2) per truck except 136" & 160" wheel base & steering E6 axles	F100/350	1980-89	<b>42.50 ea.</b>
D8TZ-5A486-A	Rear Stabilizer Bar Link End Repair Kit - (2) per truck	F100/350	1980-89	<b>18.00 kit</b>
E3TZ-5493-C	Rear Stabilizer Bar Bushing 9" rear end - (2) per truck	F100/150	1980-82	<b>17.00 ea.</b>
D3TZ-5493-C	Rear Stabilizer Bar Bushing 8.8" & 9" rear end - (2) per truck	F100/150	1980-82	<b>36.00 ea.</b>



D8TZ-5A486-A



## We're quick to point out that quality comes standard in all of our weather stripping.

Combine 31 years of manufacturing experience with 60 durometer E.P.D.M. dense rubber compound and you get a rear window seal that not only holds 50 lbs. of safety glass in place but better resists drying and shrinking from the sun's harmful ultraviolet rays.

At Dennis Carpenter Reproductions beginning with quality ingredients is the secret to making quality weather stripping products. Ethylene Propylene-Diene Monomer (E.P.D.M.) sponge rubber is yet another polymer based compound that we use to make our door seals because of it's excellent ability to rebound back into shape after compression. What that means is you get doors that close soundly with a water tight seal.

You've heard it all your life, "You get what you pay for" and with Dennis Carpenter Reproductions you get exactly that, quality weather stripping products designed specifically to fit your classic Ford car or truck.

Sure you may save a few bucks by trying to fit bargain brand, one-size-fits-all weather stripping to your classic Ford but in the end you will probably be replacing it long before you thought you would. You can review more information on what Dennis Carpenter Ford Reproductions has for your classic Ford by cruising our web site.



[www.dennis-carpenter.com](http://www.dennis-carpenter.com)

1. The rubber extrusion machine at Dennis Carpenter Reproductions extends over 92 feet and is capable of producing 25,000 feet of sponge rubber weather stripping a day.
2. At the beginning of the rubber extrusion process strips of raw rubber compound are pulled into the machine and heated to 425 degrees.
3. The molten sponge rubber is then injected and pulled through a mold which replicates the cross section shape of the weather stripping. The black strip coming from the center of the circular mold is the weather stripping being pulled through the mold.
4. The circular object in the center of this photo is an extrusion mold. Molten rubber is squeezed through this mold which in the end produces the desired shape of weather stripping. The variations of mold shapes and sizes are seemingly endless. Cross sectioned weather stripping samples can be seen surrounding the extrusion mold.
5. After the weather stripping has been pulled through the curing, cleansing, and cooling baths, it is coiled and stored in boxes. Later it will be used to produce specific door or trunk weather stripping.



# **MECHANICAL**

- Motor / Engine
- Transmission
- Radiator / Grille
- Fuel System

**FLYWHEEL ASSEMBLY**

D1AZ-6375-A	Flywheel for 351M-400M - V8 - Automatic Transmission	F100-350, U150	1980-87	<b>75.00 ea.</b>
E4TZ-6375-B	Flywheel for Automatic Transmission	E-F 250-350	1988-89	<b>250.00 ea.</b>

**MISC. ENGINE PARTS**

C20Z-6A008-A	Cylinder Head to Cylinder Block Dowel Set - set of 4 - 8 cyl. 302, 351		1980-89	<b>5.00 set</b>
E5TZ-6B217-B	Belt Idler Pulley Assembly -w/351 V8 over 8500 GVW	E-F150-350	1985-87	<b>35.00 ea.</b>
E1TZ-6316-A	Vibration Damper for Crankshaft - No Pulley - w/302 V8	F100-250. Bronco	1981-83	<b>100.00 ea.</b>
C8AZ-6767-A	Crankcase Ventilation Hose Elbow - in top of filler cap - Fits; 300, 302, 351, 400		1980-86	<b>10.00 ea.</b>
D1TZ-6767-A	Crankcase Ventilation Hose to Valve Cover Nylon Nipple - 8 cyl. 302	F100/150	1980	<b>5.00 ea.</b>
C8AZ-6A892-A	Oil Filler Cap to Elbow Grommet - 6 cyl. 300 - 8 cyl. 302, 351W, 460	F100/350 F100/150	1980-84 1980-89	<b>2.00 ea.</b>

**OIL PUMP & OIL PAN PARTS**

C20Z-6600-A	Oil Pump Assembly - Genuine Ford - 8 cyl. 302	F100/350 U150	1980-86	<b>20.00 ea.</b>
C5AZ-6600-A	Oil Pump Assembly - Genuine Ford - 6 cyl. 300	F100/350 U150	1980-86	<b>27.00 ea.</b>
D1AZ-6730-A	Oil Pan Drain Plug - 1/2" x 20 - fits; 300, 302, 351, 400, 460		1980-86	<b>6.00 ea.</b>
C20Z-6734-A	Oil Pan Drain Plug Gasket - Fits; 300, 302, 351, 400, 460		1980-86	<b>3.00 ea.</b>



C20Z-6600-A

**OIL FILTERS**

C2AZ-6731-B	Special Spin-On Type Oil Filter Assembly with Check Valve - oil won't drain back. Red light goes out immediately when engine is started		1957-86	<b>9.00 ea.</b>
D9AZ-6731-A	Motorcraft Spin-On Type Oil Filter		1957-86	<b>7.00 ea.</b>

**MANUAL TRANSMISSION RELATED PARTS**

E7TZ-7E074-B	Transmission Shift Cover Pad w/ 5 speed manual	F150/450	1987-91	<b>25.00 ea.</b>
C4AZ-7111-A	Counter Shaft for 4 spd. manual Ford and O/D Transmiss.	F100	1980-82	<b>20.00 ea.</b>

## COLUMN SHIFT PARTS

E0TZ-7228-D	Column Shift Gear Shift Socket - 3 spd. manual	F100/350	1980-87	<b>95.00 ea.</b>
1M-7246-A	Column Shift Gear Shift Socket Insulator - 3 spd. manual	F100/350	1980-87	<b>8.00 ea.</b>
E2TZ-7213-C	Column Shift Lever Knob - FROM 11-82 - black	F100/350, Bronco	1983-87	<b>15.00 ea.</b>
E3SZ-7213-A	Column Shift Lever Knob - BEFORE 11-82 - black	F100/350, Bronco	1980-83	<b>10.00 ea.</b>



1M-7246-A



E2TZ-7213-C



E3SZ-7213-A



E0TZ-7228-D

## TRANSFER CASE PARTS

E0TZ-7E440-B	Transfer Case Lockout Light Switch - 4 x 4	F100-350, Bronco	1980-87	<b>20.00 ea.</b>
E7TZ-7277-A	Transfer Case Shift Boot - w/8500 GVW	F150/350, Bronco	1987	<b>10.00 ea.</b>
E0TZ-7335-C	Gear Shift Lever Socket Bushing for Transfer Case - 2 per lever	F100/350 Bronco 4x4	1978-86	<b>3.00 ea.</b>

## SHIFT LEVER BOOTS

E9TZ-7277-B	Shift Lever Boot Inner w/T-18 4 spd.	F150-350, Bronco	1988-90	<b>15.00 ea.</b>
E3TZ-7277-C	Shift Lever Boot for 4 spd.	F150-350, Bronco	1983-87	<b>40.00 ea.</b>



E3TZ-7277-C



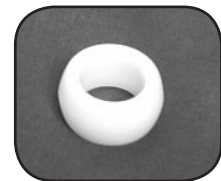
E7TZ-7277-A



E9TZ-7277-B

## CLUTCH PARTS

D7TZ-7513-A	Clutch Release Lever Dust Boot - w/ 351m, 400m, V8	F100/350, U150	1977-82	<b>15.00 ea.</b>
E3TZ-7513-B	Release Lever Dust Shield for Clutch Fork - for Diesel	F250-350	1983-87	<b>20.00 ea.</b>
E0TZ-7515-AA	Clutch Release Lever for 6, 8 cyl.	F100-350, Bronco	1980-82	<b>Coming</b>
D0ZZ-7K530-A	Clutch Equalizer Bar Seal	F100/35	1980-83	<b>7.00 ea.</b>
E0TZ-7583-A	Clutch & Brake Pedal Bumper	F100/350	1980-89	<b>30.00 ea.</b>
C1AA-7543-A	Equalizer Shaft Ball Plastic Round - .994" O.D. - .631 I.D. .50" thick - need (2)	F-E-U 100/350	1980-83	<b>2.50 ea.</b>
E2TZ-7210-D	Trans. Gear Shift Lever Assy - 4spd	F100/350, U150	1980-86	<b>50.00 ea.</b>



C1AA-7543-A

**AUTOMATIC TRANSMISSION RELATED PARTS**

E2TZ-7213-B	Floor Shift Lever Knob - black	F100/350, Bronco	1982-87	<b>12.00 ea.</b>
E0TZ-7A024-A	Transmission to Bellcrank Lever Rod for A/T, C6	E-F 100/350, Bronco	1980-88	<b>20.00 ea.</b>
E0SZ-7341-B	Transmission Shift Insulator Bushing -w/C4,C6,AOD	F100/350	1980-91	<b>7.50 ea.</b>

**TRANSMISSION CONTROL SELECTOR PARTS**

E0TZ-7A110-B	Transmission Control Selector Indicator - C4, C5, C6	F100/350 U150	1980-89	<b>25.00 ea.</b>
E3TZ-7A110-A	Transmission Control Selector Indicator - Automatic Overdrive	F100/350 U150	1983-86	<b>50.00 ea.</b>
E0TZ-7A213-A	Tilt Column Transmission Control Selector Dial Housing	F100/350	1980	<b>Coming</b>
E2TZ-7228-B	Column Gear Shift Selector Lever Socket - fixed wheel - - C4, C6, overdrive, electric overdrive	F100/350	1982-89	<b>80.00 ea.</b>
E2TZ-7228-C	Column Gear Shift Selector Lever Socket - Tilt Wheel - - C4, C6, Overdrive, electric overdrive	F100/350	1980-91	<b>50.00 ea.</b>
1M-7246-A	Column Shift Gear Shift Socket Insulator - C4, C6	F100/350	1980-89	<b>8.00 ea.</b>



E2TZ-7228-C

**RESERVOIR RECOVERY TANK**

E5TZ-8A080-B	Radiator Coolant Recovery Reservoir Tank - 6.9L Diesel	F250-350	1983-86	<b>20.00 ea.</b>
--------------	--	----------	---------	------------------

**RADIATOR CAP**

C9AZ-8100-A	Radiator Cap - Replacement - 13 lbs	F100/350, U150	1980-89	<b>6.00 ea.</b>
-------------	-------------------------------------	----------------	---------	-----------------

**RADIATOR PARTS**

E0TZ-8125-B	Lower Radiator Mount Insulator - Right Side	F100/350, Bronco	1980-84	<b>8.00 ea.</b>
E0TZ-8125-D	Lower Radiator Mount Insulator - Left Side	F100/350, Bronco	1980-84	<b>8.00 ea.</b>

**RADIATOR GRILLE**

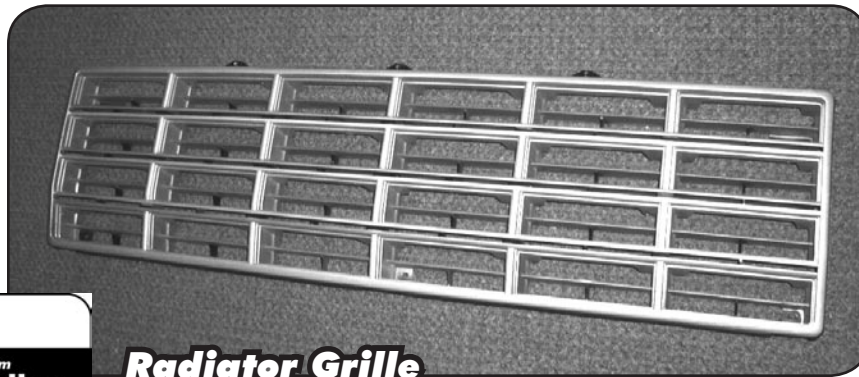
E0TZ-8150-B	Radiator Grille - Chrome - made off of <b>ORIGINAL TOOLING</b>	F100/350, U150	1980-81	<b>175.00 ea.</b>
E3TZ-8200-F	Radiator Grille - Light Argent and Black	F100/350, U150	1982-86	<b>100.00 ea.</b>
E3TZ-8200-G	Radiator Grille - Chrome	F100/350, U150	1982-86	<b>260.00 ea.</b>
E7TZ-8200-A	Radiator Grille - Black	F150/350, Bronco	1987-88	<b>80.00 ea.</b>

**GRILLE AND RELATED PARTS**

E2TZ-8422-A	Grille Lower Moulding w/ XLS Option	F100/350, Bronco	1982-86	<b>Coming</b>
E7TZ-9842528-A	Grille Emblem - FORD	F100/350	1982-89	<b>35.00 ea.</b>
E0TZ-8B218-A	Grille Moulding Upper Retainer	F100/350	1980-86	<b>25.00 ea.</b>
E0TZ-8419-A	Grille Upper Moulding - without XLT option	F100/350	1980-89	<b>95.00 ea.</b>
E0TZ-8422-A	Grille Lower Moulding - without XLT option	F100/350	1980-89	<b>100.00 ea.</b>



E7TZ-9842528-A



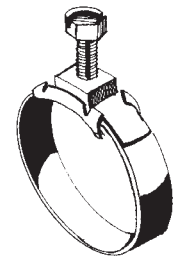
**Radiator Grille**  
**E0TZ-8150-B**

**RADIATOR HOSES**

E7TZ-8260-B	Upper Radiator Hose - 1 1/2" I.D. w/300 6 cyl.	F150/350, U150	1987-88	<b>6.00 ea.</b>
E6TZ-8260-D	Upper Radiator Hose - W/351 V8 - 1 1/2" I.D.	F150/350, U150	1985-87	<b>8.00 ea.</b>

**HOSE CLAMPS**

B7AZ-8287-C	Radiator Hose Clamp - Post or Tower - 1 11/16"	<b>2.00 ea.</b>
C3AZ-18572-A	Heater Hose Clamp - Post or Tower - 1 1/4"	<b>2.00 ea.</b>



B7AZ-8287-C

**WATER PUMPS - Gasket Included**

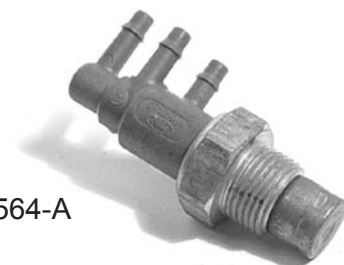
D5TZ-8501-BN	Water Pump - 6 cyl. 300	F100/350, U150	1980-82	<b>60.00 ea.</b>
E9PZ-8501-AN	Water Pump - 6 cyl. 300	F100/350, U150	1983-86	<b>57.50 ea.</b>
D00Z-8501-CN	Water Pump - 8 cyl. 302	F100/250, U150	1980-86	<b>70.00 ea.</b>
	- 8 cyl. 255	F100, U150	1981-84	
	- 8 cyl. 351 W	F100/350, U150	1981-87	
D6AZ-8501-AN	Water Pump - 8 cyl. 351 M & 400	F100/350, U150	1980-82	<b>70.00 ea.</b>
D2VY-8501-CN	Water Pump - 8 cyl. 460	F250/350, U150	1980-86	<b>80.00 ea.</b>

**THERMOSTAT HOUSING GASKETS**

C9AZ-8255-A	Thermostat Housing Gasket - 8 cyl. 302 - 8 cyl. 351 W	F100/250, U150 F100/350, U150	1980-84	<b>1.50 ea.</b>
C8SZ-8255-A	Thermostat Housing Gasket - 8 cyl. 351M - 8 cyl. 400 - 8 cyl. 460	F100/350 F250/350 F250/350	1980-81 1980-82 1980-86	<b>1.75 ea.</b>

**COOLANT CONTROL**

D5ZZ-8A564-A	Coolant Temp Control by Vacuum Switch	F100/350, Bronco	1974-89	<b>15.00 ea.</b>
--------------	--	---------------------	---------	------------------



D5ZZ-8A564-A

**THERMOSTATS - GASKET NOT INCLUDED**

1BA-8575-A	Thermostat - 160 degrees - 6 & 8 cyl. 300, 302, 351W, 351M, 460	F100/350, U150	1980-86	<b>5.00 ea.</b>
1BA-8575-B	Thermostat - 180 degrees - 6 & 8 cyl. 300, 302, 351W, 351M, 460	F100/350, U150	1980-86	<b>5.00 ea.</b>
D4PZ-8575-A	Thermostat - 190 degrees - 6 & 8 cyl. 300, 302, 351W, 351M, 460	F100/350, U150	1980-86	<b>3.00 ea.</b>

**BY-PASS HOSE**

D00Z-8597-B	Water By-Pass Hose - 8 cyl. 302 - 8 cyl. 255	F100/250 F100, U150	1980-89 1981-82	<b>11.00 ea.</b>
-------------	---	------------------------	--------------------	------------------

**FAN SHROUD**

E7TZ-8146-A	Fan Shroud w-302 V8, 351 V8	F150-350, Bronco	1987-91	<b>Coming</b>
E3TZ-8146-E	Fan Shroud - 6 cyl.	F100-350	1983-86	<b>75.00 ea.</b>



E3TZ-8A616-T



E3TZ-8146-E

## FAN CLUTCH ASSEMBLY

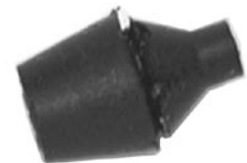
E3TZ-8A616-T	Fan Clutch Assy. for 6 cyl. w/ A/C	F100-350, Bronco	1983-86	<b>40.00 ea.</b>
--------------	------------------------------------	------------------	---------	------------------

## GAS TANK RELATED PARTS

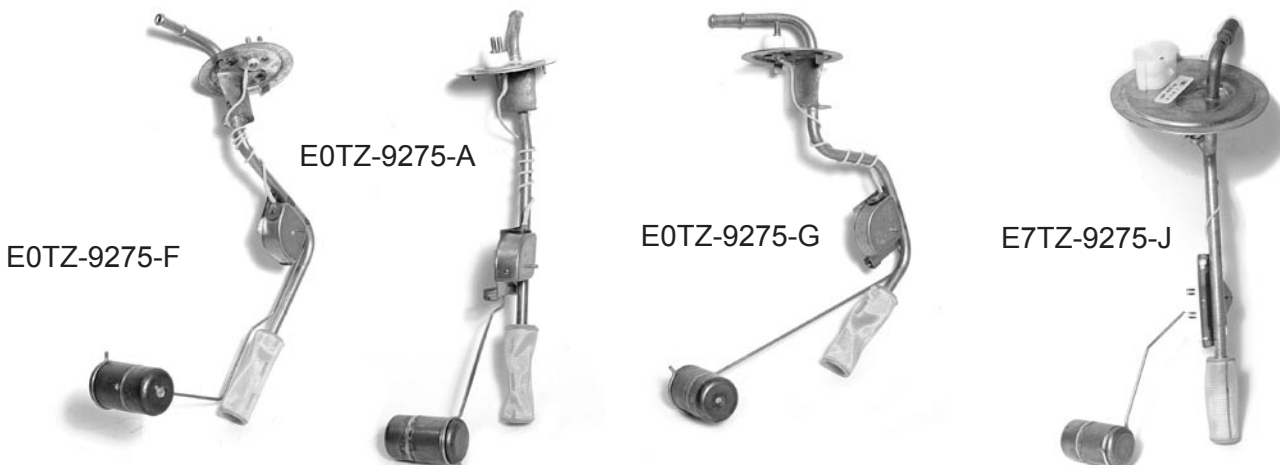
GTS-9000	Gas Tank Slushing Compound - Eliminates rust & seals small leaks			<b>25.00 qt.</b>
GTP-9001	Gas Preservative and Stabilizer - Prevents gum & varnish formations & corrosion. Use when car is not run for long periods			<b>25.00 qt.</b>
E1AZ-9030-A	Gas Cap - Replacement - Styleside or Flareside - all except 8 cyl. 351 & 460	F100/350 U150	1980-86	<b>8.00 ea.</b>
D6AZ-9030-B	Gas Cap - Locking Type- Replacement - all except 8 cyl. 351 & 460	F100/350 U150	1980-86	<b>15.00 ea.</b>
E0TZ-9275-A	Gas Tank Sending Unit - with aft axle steel tank -Includes Float & Gasket	F100/350	1980-84	<b>120.00 ea.</b>
E0TZ-9275-F	Gas Tank Sending Unit - Regular Cab - 116.8" w/b - 16.5 gal. midship steel tank -Includes Float & Gasket	F100/150	1980-84	<b>140.00 ea.</b>
E0TZ-9275-G	Gas Tank Sending Unit - 133" w/b - 19 gal midship steel tank -Includes Float & Gasket	F100/350	1980-84	<b>130.00 ea.</b>
E7TZ-9275-J	Gas Tank Sending Unit - w/19 gal. Midship tank - steel - u/8500 GVW -Includes Float & Gasket	F150/250	1987	<b>85.00 ea.</b>
C0AF-9276-A	Gas Tank Sending Unit Gasket - 2 3/8" I.D. x 2 9/16" O.D. x 1/8" thick	F100/350 U150	1980-86	<b>1.00 ea.</b>
354860-S	Gas Filler Door Bumper - On Door	F100/350 U150	1980-89	<b>3.50 ea.</b>
378359-S	Gas Filler Door Bumper - On Body	F100/350 U150	1980-89	<b>2.00 ea.</b>



D6AZ-9030-B



378359-S



E0TZ-9275-A

E0TZ-9275-F

E0TZ-9275-G

E7TZ-9275-J

**OIL PRESSURE GAUGE AND SENDING UNIT**

E0TZ-9273-A	Oil Pressure Gauge - Instrument Panel Unit	F100/350,U150	1980-86	<b>220.00 ea.</b>
C8AZ-9278-A	Oil Pressure Sending Unit - with warning lights - 8 cyl.	F100/350	198-87	<b>9.00 ea.</b>
D9ZZ-9278-A	Oil Pressure Sending Unit - with gauges - 8 cyl.	F100/350, U150	1980-87	<b>32.50 ea.</b>

**FUEL GAUGE**

E0TZ-9280-A	Instrument Panel Fuel Gauge Unit	F100/350, U150	1980-86	<b>200.00 ea.</b>
-------------	----------------------------------	----------------	---------	-------------------

**EXHAUST GAS RECIRCULATION VALVE**

E0TZ-9D477-B	Exhaust Gas Recirculation Valve to Exhaust Manifold Tube	F100/250/ Bronco	1980-83	<b>50.00 ea.</b>
--------------	--	---------------------	---------	------------------

**FUEL PUMP ASSEMBLY - MANUAL**

D6DZ-9350-B	Fuel Pump Assembly - 6 cyl. 300 - 6 cyl. 300 under 8500 GVW	F100/350, U150 F100/250	1980-84 1985-86	<b>29.50 ea.</b>
E3TZ-9350-E	Fuel Pump Assembly - 8 cyl. 255 - 8 cyl. 302 - 8 cyl. 351 W under 8500 GVW	F100, U150 F100/250 F100/250	1981-82 1980-85 1981-87	<b>22.00 ea.</b>
E1TZ-9350-H	Fuel Pump Assembly - 8 cyl. 351M - 8 cyl. 400	F100/350, U150 F100/350	1980-81 1980-82	<b>32.00 ea.</b>
E5TZ-9350-D	Fuel Pump Assembly - 8 cyl. 351	E-F250-350 over 8500 GUW	1985-87	<b>30.00 ea.</b>

**FUEL VALVES**

E0TZ-9A565-B	Fuel enrichment valve for carb. w/ 302 UB	F100/150 Bronco	1980-86	<b>30.00 ea.</b>
--------------	---	--------------------	---------	------------------

**VACUM CONTROL FOR CHOKE**

E1TZ-9S514-A	Vacum Brake Control & Bracket for Choke on Carb	F100/350 Bronco	1980-83	<b>10.00 ea.</b>
--------------	---	--------------------	---------	------------------

**AIR CLEANER RELATED PARTS**

C20Z-9601-A	Carburetor Air Cleaner Element - 6 cyl. - 6.58" I.D. x 8.40" O.D. x 3.22" high	F100	1980-81	<b>6.50 ea.</b>
D2AZ-9601-A	Carburetor Air Cleaner Element - 8 cyl. - 9.00" I.D. x 11.26" O.D. x 2.60" high	F100/350	1980-86	<b>7.50 ea.</b>
C9UZ-9652-A	Carburetor Air Cleaner Intake Tube - 2" I.D. x 18" long - - Aluminum & paper comp.		1980-86	<b>12.00 ea.</b>



# ***ELECTRICAL***

- Alternator
- Starters
- Ignition
- Headlights
- Park Lights
- Taillights
- Dome Lights
- Horns
- Wiring
- Cigar

**ACCELERATOR PEDAL SPRING**

E0TZ-9737-A	Accelerator Shaft Retracting Spring	F100/350, Bronco	1980	<b>15.00 ea.</b>
D3TZ-9760-C	Accelerator Pedal to Shaft Spring	F100/350, U150	1980-86	<b>32.50 ea.</b>

**SPEED CONTROL CABLE**

E7TZ-9A820-A	Speed Control Cable w/ 4 speed M/T 2 w/d - 59 5/16"	F150/350	1987-91	<b>25.00 ea.</b>
E0TZ-9A820-E	Speed Control Cable - Lower for 2 W/D - 50"	F100/350	1980-85	<b>25.00 ea.</b>
E6TZ-9A820-A	Speed Control Cable and Housing for Automatic 2 W/D, w/ Speed Control - 80"	F150/350	1988-91	<b>35.00 ea.</b>
E6TZ-9A820-C	Speed Control Cable and Housing for 4 W/D - 92"	F150/350 Bronco	1986	<b>20.00 ea.</b>

**ALTERNATOR RELATED PARTS**

C3SZ-10316-B	Alternator Regulator - without Integral Alternator	F100/350, U150	1980-86	<b>38.00 ea.</b>
--------------	--	----------------	---------	------------------

**BATTERY TRAY RELATED PARTS**

E0TZ-10A691-A	Battery Hold Down Clamp Brace	F100/350, U150	1980-86	<b>12.00 ea.</b>
E0TZ-10718-B	Battery Hold Down Clamp - Gas Engine - Right Side Battery	F100/350, U150	1980-86	<b>25.00 ea.</b>
E7TZ-10718-B	Battery Hold Down Clamp	F150/350, Bronco	1987-89	<b>6.00 ea.</b>
D7AZ-10756-A	Battery Tray Hold Down Bolt - Gas Engine - - Right Side Battery - (2) per Truck	F100/350, U150	1980-86	<b>5.00 ea.</b>
E5TZ-16C186-A	Battery Tray - Gas Engine - Right Side Battery	F100/350, U150	1980-86	<b>85.00 ea.</b>



E0TZ-10718-B



E5TZ-16C186-A

**INSTRUMENT CLUSTER RELATED PARTS**

D1AZ-10804-A	Instrument Cluster Voltage Regulator	F100/350	1980-86	<b>56.00 ea.</b>
E2TZ-10848-A	Instrument Cluster Back Plate w/ Gauges, oil, amp Plastic without Techometer	F100/350 Bronco	1980-86	<b>Coming</b>
E9TZ-10848-C	Instrument Cluster Back Plate	F150/350, Bronco	1989	<b>Coming</b>
E0TZ-10850-A	Instrument Panel Ammeter Gauge	F100/350	1980-86	<b>220.00 ea.</b>
E0TZ-10887-A	Instrument Cluster Main Lens - without tripodometer	F100/350	1980-86	<b>40.00 ea.</b>
E9TZ-10887-B	Instrument Cluster Main Lens - Clear w/o tripodometer	F150/350, Bronco	1987-91	<b>25.00 ea.</b>

**TEMPERATURE GAUGE PARTS**

E3TZ-10883-B	Instrument Panel Temperature Gauge	F100/350, U150	1980-86	<b>85.00 ea.</b>
F1SZ-10884-A	Temperature Sender for Motor Block - All Gas Engine	F100/350, U150	1980-86	<b>15.00 ea.</b>

**STARTER SOLENOID**

E7HZ-11450-A	Starter Solenoid	F100/350, U150	1980-84	<b>30.00 ea.</b>
--------------	------------------	----------------	---------	------------------

**IGNITION SWITCH AND RELATED PARTS**

F2TZ-11572-F	Ignition Switch - Plugs in at bottom of steering wheel	F100/350, U150	1980-86	<b>20.00 ea.</b>
E0TZ-11582-A	Ignition Cylinder & Key Assembly	F100/350, U150	1980	<b>20.00 ea.</b>
E5TZ-11582-A	Ignition Cylinder & Key Assembly	F100/350, U150	1981-89	<b>35.00 ea.</b>

F2TZ-11572-F



E0TZ-11582-A

**HEADLIGHT SWITCH RELATED PARTS**

D3AZ-11650-A	Headlight Switch Nut	F100/350, U150	1980-89	<b>10.00 ea.</b>
E0TZ-11654-A	Headlight Switch	F100/350, U150	1980	<b>60.00 ea.</b>
E7TZ-11654-B	Headlight Switch (from 12-86) I.D.# E7TB-11654-AB, AC	F100/350, Bronco		<b>40.00 ea.</b>
E1TZ-11654-A	Headlight Switch	F100/350, U150	1981-86	<b>40.00 ea.</b>
F5TZ-11661-A	Headlight Switch Knob with Shaft - Black	F100/350, U150	1980-89	<b>18.00 ea.</b>

**IGNITION COIL**

D5AZ-12029	Ignition Coil - Replacement - Transistorized Ignition - engine mounted coil	F100/350, U150	1980-86	<b>22.50 ea.</b>
E3FZ-12029	Ignition Coil - Replacement - Transistorized Ignition - fender mounted coil	F100/350, U150	1984-89	<b>27.50 ea.</b>

**HEADLIGHT RELATED PARTS**

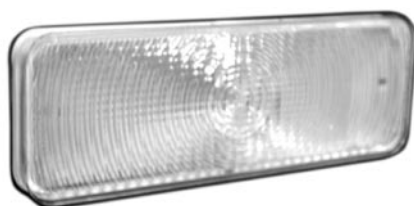
D8BZ-13007	Headlight Bulb - 12 volt - #6052 - Rectangular Type - except halogen	F100/350, U150	1980	<b>12.00 ea.</b>
E1FZ-13007	Headlight Bulb - 12 volt - #H-6054 - Rectangular Type - halogen	F100/350, U150	1980-86	<b>15.00 ea.</b>
E1TZ-13008-A	Headlight Assembly - Right Side	F100/350, U150	1980-86	<b>52.00 ea.</b>
E1TZ-13008-B	Headlight Assembly - Left Side	F100/350, U150	1980-86	<b>52.00 ea.</b>
E69Z-13015-A	Headlight Bulb Retainer Ring	F100/350, U150	1980-86	<b>12.00 ea.</b>
E1TZ-13032-A	Headlight Adjusting Screw - (2) per headlight	F100/350, U150	1980-86	<b>2.00 ea.</b>
D3KZ-13008-A	Headlight Bucket - RH or LH Stripped Chassis	C-CT-600-900 F59	1973-90 1989	<b>75.00 ea.</b>

**HEADLIGHT DOOR**

E0TZ-13B042-B	Headlight Door Shield - Left Hand	F100/350,Bronco	1980-86	<b>4.00 ea.</b>
E0TZ-13B041-B	Headlight Door Shield - Right Hand	F100/350,Bronco	1980-86	<b>4.00 ea.</b>
E0TZ-13064-L	Headlight Door - Right Side - Chrome trimmed with black	F100/350,Bronco	1980-86	<b>Coming</b>
E0TZ-13064-M	Headlight Door - Left Side - Chrome trimmed with black	F100/350,Bronco	1980-86	<b>50.00 ea.</b>
E0TZ-13064-N	Headlight Door - Right Side Chrome trimmed with med. argent	F100/350,Bronco	1980-86	<b>Coming</b>
E0TZ-13064-P	Headlight Door - Left Side Chrome trimmed with med. argent	F100/350,Bronco	1980-86	<b>Coming</b>
E2TZ-13064-A	Headlight Door - Right Side Chrome trimmed with dark charcoal	F100/350,Bronco	1982-86	<b>130.00 ea.</b>
E2TZ-13064-B	Headlight Door - Left Side Chrome Trimmed with dark charcoal	F100/350,Bronco	1982-86	<b>130.00 ea.</b>
F1TZ-13064-A	Headlight Door - Black - Right Side - with Bright package	F100/350,Bronco	1991	<b>20.00 ea.</b>
F1TZ-13064-B	Headlight Door - Black - Left Side - with Bright package	F100/350,Bronco	1991	<b>20.00 ea.</b>

**PARK LIGHT ASSEMBLY**

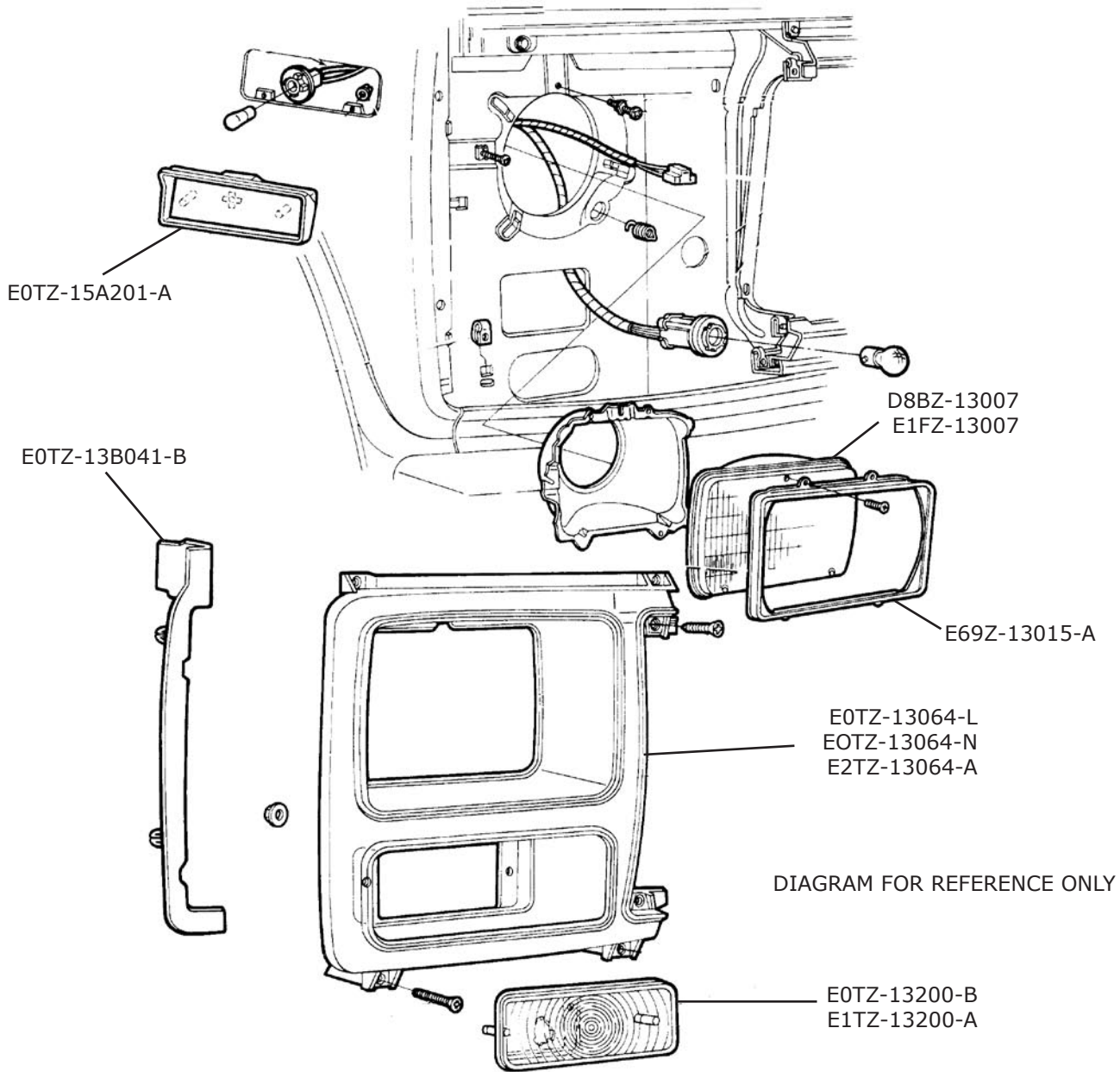
E0TZ-13200-B	Park Light Assembly - Right or Left - before 12/80	F100/350	1980-81	<b>45.00 ea.</b>
E1TZ-13200-A	Park Light Assembly - Right or Left - from 12/80	F100/350	1981-86	<b>30.00 ea.</b>
F1TZ-13200-D	Park Light Assembly w/ Black Trim - Right Side	F150- 350,Bronco	1991	<b>75.00 ea.</b>
F5TZ-13200-AB	Park Light Assembly - Right Side	F100/ 350,Bronco	1992-96	<b>90.00 ea.</b>
F5TZ-13201-AB	Park Light Assembly - Left Side	F100/ 350,Bronco	1992-96	<b>90.00 ea.</b>



E0TZ-13200-B



E1TZ-13200-A



**TURN SIGNAL SWITCH AND RELATED PARTS**

D3TZ-13305-B	Turn Signal Lever - Replacement - with black knob	F100/350,U150	1980-86	<b>17.50 ea.</b>
C7TZ-13318-A	Turn Signal Turn OFF Cam	F100/350,U150	1980-89	<b>10.00 ea.</b>
E1HZ-13341-K	Turn Signal Switch - with fixed column	F100/350,U150	1980-83	<b>90.00 ea.</b>
E1TZ-13341-D	Turn Signal Switch - with tilt column	F100/350,U150	1980-83	<b>150.00 ea.</b>
E4TZ-13341-A	Turn Signal Switch - with fixed column	F150/350,U150	1984	<b>165.00 ea.</b>
E4TZ-13341-B	Turn Signal Switch - with tilt column	F150/350,U150	1984	<b>165.00 ea.</b>
E5TZ-13341-E	Turn Signal Switch - with fixed column	F150/350,U150	1985-86	<b>95.00 ea.</b>
E5TZ-13341-B	Turn Signal Switch - with tilt column	F150/350,U150	1985-86	<b>120.00 ea.</b>
E7TZ-13341-A	Turn Signal Switch - with fixed column	F150/350, Bronco	1987-91	<b>110.00 ea.</b>
E7TZ-13341-B	Turn Signal Switch - with tilt column	F150/350, Bronco	1987-91	<b>120.00 ea.</b>



D3TZ-13305-B



E1TZ-13341-D

**WIRE PIGTAIL**

B6C-13410-A	Original Pigtail for taillights for step side beds w/ molded ends	F100/150	1980-87	<b>15.00 ea.</b>
-------------	---	----------	---------	------------------



**TAILLIGHT RELATED PARTS**

E4TZ-13404-B	Taillight Assembly - Style Side - Right Side - Does Not Include Screws	F100/350,U150	1980-86	<b>60.00 ea.</b>
E4TZ-13405-B	Taillight Assembly - Style Side - Left Side - Does Not Include Screws	F100/350,U150	1980-86	<b>60.00 ea.</b>
E0TZ-13404-B	Taillight Assembly - Step Side - Right Side	F100/150	1980-87	<b>75.00 ea.</b>
E0TZ-13405-B	Taillight Assembly - Step Side - Left Side	F100/150	1980-87	<b>Coming</b>
E7TZ-13404-A	Tail Light Lens Style Side - Right Side	F150/350, Bronco	1987-90	<b>60.00 ea.</b>
E7TZ-13405-A	Tail Light Lens Style Side - Left Side	F150/350, Bronco	1987-90	<b>60.00 ea.</b>
D3TZ-13450-B	Taillight Lens RH or LH (exc. 83, 99) - Square Type Step Side	F100/350	1980-87	<b>15.00 ea.</b>
D7TZ-13450-A	Taillight Lens RH or LH (83) Square Type Step Side	F100/350	1980-87	<b>12.00 ea.</b>



**Taillight/Assembly  
E4TZ-13404-B**



**E0TZ-13404-B**



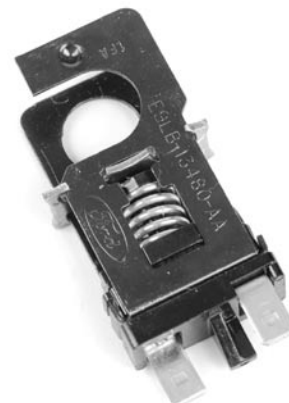
**D3TZ-13450-B**



**D7TZ-13450-A**

**BRAKE LIGHT SWITCH**

E9LY-13480-A	Brake Light Switch	F100/350,U150	1980-89	<b>20.00 ea.</b>
--------------	--------------------	---------------	---------	------------------



**HEADLIGHT DIMMER SWITCH**

B9A-13532-A	Headlight Dimmer Switch	F100/350,U150	1980-89	<b>11.00 ea.</b>
C5ZZ-13533	Headlight Dimmer Switch Rubber Cover		All	<b>4.00 ea.</b>

**LICENSE PLATE LIGHT ASSEMBLY**

F67Z-13550-AA	License Plate Light Assembly - Style Side with chrome bumper	F100/350, U150	1980-89	<b>15.00 ea.</b>
F1TZ-13550-A	License Plate Light Assembly - Style Side with step bumper - paint to match	F100/350, U150	1980-89	<b>10.00 ea.</b>



F67Z-13550-AA



F1TZ-13550-A

**INSTRUMENT CLUSTER BULB SOCKET**

C80Z-13711-A	Instrument Cluster Bulb Socket	E-F-U 100/350	1980-96	<b>2.00 ea.</b>
--------------	--------------------------------	------------------	---------	-----------------





**DOME LIGHT RELATED PARTS**

D3TZ-13713-A	Dome Light Switch	F100/350,U150	1980-88	<b>10.00 ea.</b>
E1TZ-13776-A	Dome Light Assembly - No Lens	F100/350,U150	1980-89	<b>25.00 ea.</b>
D9AZ-13783-C	Dome Lens	F100/350,U150	1980-89	<b>6.00 ea.</b>



D3TZ-13713-A

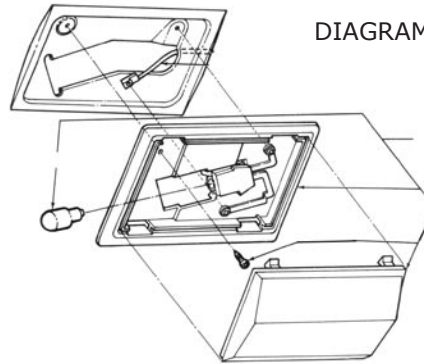


DIAGRAM FOR REFERENCE ONLY

E1TZ-13776-A

DOME LAMP and RELATED PARTS


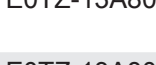


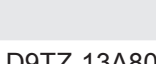


**CARGO LAMP KIT**

E2TZ-15550-A	Cargo Lamp Kit - consist of: lamp, bulb, wiring, screws, gasket, & instruction sheet	F100/350	1982-91	<b>125.00 kit</b>
--------------	--	----------	---------	-------------------



**Cargo Lamp Kit**  
**E2TZ-15550-A**

**HORN RELATED PARTS**

	Horn Bar Switch & Pad - Without speed control - Black - - 2 spoke wheel	F100/350 U150	1980-86	<b>100.00 ea.</b>
	Horn Bar Switch & Pad - Without speed control - - rosewood grain finish - 2 spoke wheel	F100/350 U150	1980-86	<b>120.00 ea.</b>
	Horn Bar Switch & Pad - Oakwood grain w/ Horn engraving - w/o speed control	F100/350 Bronco	1980-86	<b>125.00 ea.</b>
	Horn Bar Switch & Pad - Walnut grain w/ Horn engraving - w/o speed control	F100/350 Bronco	1980-86	<b>125.00 ea.</b>
	Horn Bar Switch and Pad w/ Speed Control, Black - 2 spoke wheel	F150/350, Bronco	1987-91	<b>150.00 ea.</b>
	Horn Bar Assy. - Black w/o Horn Engraving w/o Speed Control	F-E-U 100/350	1978-81	<b>100.00 ea.</b>
	Horn Bar Assy. w/ Wood Grain Insert w/o Horn Engraving w/o Speed Control	E-E-U F100/350	1978-81	<b>125.00 ea.</b>

E7UZ-13A805-A



D9TZ-13A805-A






D8TZ-13A805-C



E7TZ-13A805-B



**HORN BUTTON**

<p>D8TZ-13A805-A</p> 	<p>Horn Button w/ "FORD" Insert w/ silver outer ring - For 3 spoke or Sport steering wheel</p>	<p>Bronco F100/350</p>	<p>1978-86</p>	<p><b>85.00 ea.</b></p>
<p>D8TZ-13A805-BL</p> 	<p>Horn Button w/ Ford Center w/ Black Outer Ring - For 3 spoke or sport wheel.</p>	<p>F100/350 Bronco</p>	<p>1978-86</p>	<p><b>85.00 ea.</b></p>
<p>D8TZ-3649-A</p> 	<p>Horn Button Plastic Emblem with "FORD" - comes in D8TZ-13A805-A</p>	<p>F100/350 Bronco E100/350</p>	<p>1978-86</p>	<p><b>25.00 ea.</b></p>



D8TZ-13A805-BL



D8TZ-3649-A



**HORN RELAY**

C4AZ-13853-A	Horn Relay - with speed control	F100/350 U150	1980-86	<b>10.00 ea.</b>
--------------	------------------------------------	------------------	---------	------------------



**CIGAR LIGHTER PARTS**

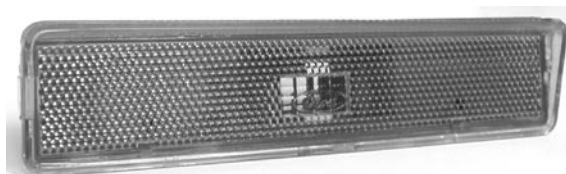
E0TZ-15A044-A	Cigar Lighter Kit Consists of: Knob, element, socket & retainer	F100/350, U150	1980-89	<b>28.00 ea.</b>
D30Z-15052-A	Cigar Lighter Knob & Element - Chrome Knob	F100/350, U150	1980-89	<b>12.00 ea.</b>
D3DZ-15055-A	Cigar Lighter Socket & Retainer	F100/350, U150	1980-89	<b>8.00 ea.</b>



D30Z-15052-A

**SIDE MARKER LIGHTS**

E0TZ-15A201-A	Front Fender Side Marker Light - Right Side - Amber	F100/350,U150	1980-86	<b>24.00 ea.</b>
E0TZ-15A201-B	Front Fender Side Marker Light - Left Side - Amber	F100/350,U150	1980-86	<b>18.00 ea.</b>



**Front Fender Side  
Marker Lamp  
E0TZ-15A201-A**

**ENGINE LAMP**

C2RZ-15A700-A	Engine Lamp Kit	ALL		<b>35.00 ea.</b>
---------------	-----------------	-----	--	------------------



# BODY

- Fenders
- Running Board
- Hood
- Speedometer
- Mirrors
- Wipers
- Bumpers
- Shocks
- Antenna

**FRONT FENDERS**

E1TZ-16005-B	Front Fender - Right Side - Genuine Ford	F100/350,U150	1980-86	<b>350.00 ea.</b>
E1TZ-16006-B	Front Fender - Left Side - Genuine Ford	F100/350,U150	1980-86	<b>600.00 ea.</b>
E7TZ-16005-A	Front Fender - Right Side	F100/350, Bronco	1987-91	<b>260.00 ea.</b>
E8TZ-16006-A	Front Fender - Left Side	F100/350, Bronco	1987-91	<b>260.00 ea.</b>

**FRONT FENDER APRON**

E5TZ-16054-B	Front Fender Apron - Right Side	F100/350, Bronco	1980-86	<b>180.00 ea.</b>
E4TZ-16055-A	Front Fender Apron - Left Side	F100/350, Bronco	1980-86	<b>180.00 ea.</b>
F4TZ-16054-A	Front Inner Fender Apron - Right Side	F150/350, Bronco	1987-96	<b>80.00 ea.</b>
F4TZ-16055-A	Front Inner Fender Apron - Left Side	F150/350, Bronco	1987-96	<b>80.00 ea.</b>

**RUNNING BOARDS**

F1TZ-16450-AF	Running Boards - Diamond Plated for Super Cab - Cab Only - Right and Left	F150/350	1990-96	<b>200.00 pr.</b>
F1TZ-16450-Z	Running Board - Full Length w/ 6 3/4 Right and Left - Super Cab	F150/350	1990-96	<b>200.00 pr.</b>
F1TZ-16450-AE	Running Boards - Cab Only Right and Left - Reg. Cab	F150/350	1990-96	<b>150.00 pr.</b>

**HOOD LETTERS "FORD"**

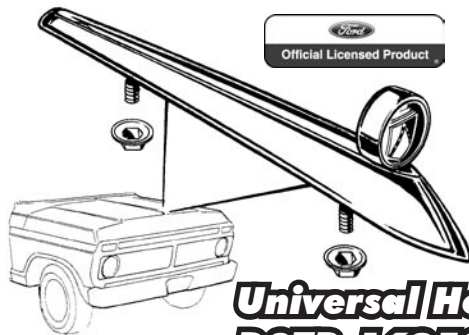
D9TZ-16606-K	F.O.R.D. Letters for Front of Hood - Includes Fastners	F100/350,U150	1980-89	<b>115.00 set</b>
--------------	--	---------------	---------	-------------------



**FORD Letters for Hood  
D9TZ-16606-K**

**HOOD RELATED PARTS**

E4TZ-16612-B	Hood - No Hardware	F100/350	1980-86	<b>400.00 ea.</b>
F1TZ-16612-A	Hood - No Hardware	F150/350, Bronco	1987-91	<b>400.00 ea.</b>
E1TZ-16700-A	Hood Latch Assembly - w/o key operated lock	F100/350 U150	1980-81	<b>85.00 ea.</b>
E6TZ-16700-A	Hood Latch Assembly - w/o key operated lock	F100-350 U150	1982-86	<b>40.00 ea.</b>
D3AZ-16758-A	Hood Side Hood Bumper - Fender Mounted - (2) per hood	F100/350 U150	1980-89	<b>4.00 ea.</b>
E0TZ-16758-C	Hood Front Hood Bumper Radiator support mounted - Need (2) per hood	F100/350 U150	1980-89	<b>10.00 ea.</b>
E4TZ-16796-A	Hood Hinge - Right Side	F100/350 U150	1980-89	<b>25.00 ea.</b>
E4TZ-16797-A	Hood Hinge - Left Side	F100/350 U150	1980-89	<b>25.00 ea.</b>
F4TZ-16826-A	Hood Support Hinge & Spring - Right Side	F100/350 U150	1980-89	<b>130.00 ea.</b>
F4TZ-16826-B	Hood Support Hinge & Spring - Left Side	F100/350 U150	1980-89	<b>130.00 ea.</b>
D3TB-16850-N	Hood Top Ornament Universal - Includes Fasteners	U150	All	<b>60.00 ea.</b>
E0TZ-16850-A	Hood Top Ornament - Explorer - Emblem w/ Black Background - includes fasteners	F100/350 U150	1980-84	<b>65.00 ea.</b>
D3AZ-16850-A	Hood Ornament w/ 3 Lions, Chrome Wreath and Red Background - includes fasteners	F100-350 U150	1980-86	<b>70.00 ea.</b>
E0TZ-16916-A	Hood Release Handle & Cable - without key operated lock	F100/350 U150	1980-86	<b>60.00 ea.</b>



**Universal Hood Ornament  
D3TB-16850-N**



**D3AZ-16850-A**



**Hood Top Ornament  
E0TZ-16850-A**



E0TZ-16916-A

**COWL LACING - Hood to Firewall Seal**

E5TZ-1502824-A	Cowl Lacing	F100/350,Bronco	1980-86	<b>60.00 ea.</b>
E7TZ-1502824-A	Cowl Lacing	F100/350,Bronco	1987-91	<b>60.00 ea.</b>

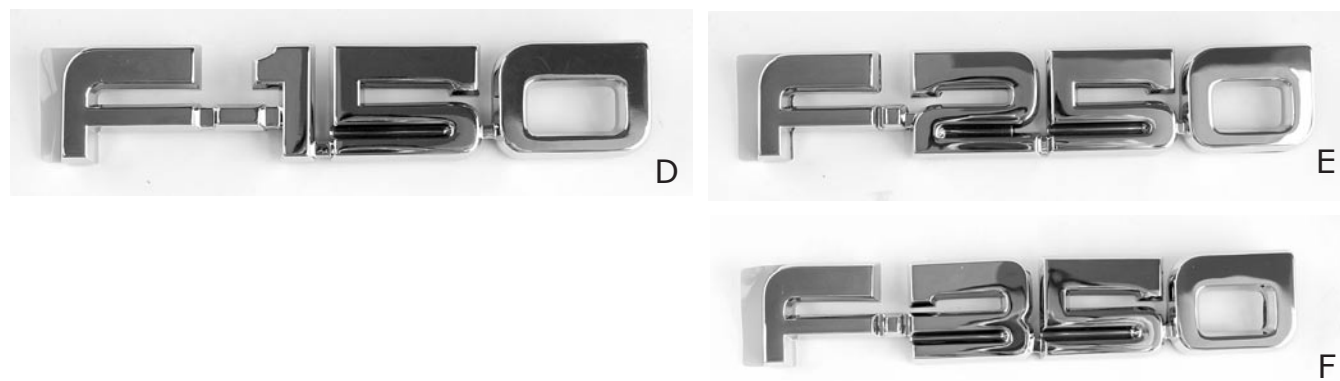
**FRONT FENDER ORNAMENT**

E7TZ-16098-A		Front Fender Ornament - Right or Left	F150/350, Bronco	87-91	<b>Coming</b>
E7TZ-16098-B	(A)	Front Fender Ornament - "XLT Lariat" - Right or Left	F150/350, Bronco	87-91	<b>25.00 ea.</b>
E7TZ-16098-C	(B)	Front Fender Ornament - "XL" - Right or Left	F150/350, Bronco	87-91	<b>35.00 ea.</b>
E7TZ-16098-J	(C)	Front Fender Ornament - "Custom" - Right or Left	F150/350, Bronco	87-91	<b>35.00 ea.</b>



**FRONT FENDER NAME PLATES**

E7TZ-16720-A	(D)	Front Fender Name Plate "F150" -Right or Left		1987-91	<b>35.00 ea.</b>
E7TZ-16720-B	(E)	Front Fender Name Plate "F250" - Right or Left		1987-91	<b>35.00 ea.</b>
E7TZ-16720-C	(F)	Front Fender Name Plate "F350" - Right or Left		1987-91	<b>35.00 ea.</b>





**FRONT FENDER SIDE NAME PLATES**

E0TZ-16720-AA		- Trailer Special -w/Fasteners	F100/350	1980-86	<b>Coming</b>
E0TZ-16720-BA		- Camper Special -w/Fasteners	F100/350	1980-86	<b>Coming</b>
E0TZ-16720-CA	(CA)	- Custom -w/Fasteners	F100/350	1980-81	<b>30.00 ea.</b>
E0TZ-16720-DA	(DA)	- Ranger -w/Fasteners	F100/350	1980-81	<b>30.00 ea.</b>
E0TZ-16720-EA	(EA)	- F100 -w/Fasteners	F100	1980-81	<b>35.00 ea.</b>
E0TZ-16720-FA	(FA)	- F150 -w/Fasteners	F150	1980-81	<b>35.00 ea.</b>
E0TZ-16720-GA	(GA)	- F250 -w/Fasteners	F250	1980-81	<b>35.00 ea.</b>
E0TZ-16720-HA	(HA)	- F350 -w/Fasteners	F350	1980-81	<b>35.00 ea.</b>



CA



DA



EA



FA



GA



HA

**FRONT FENDER SIDE NAME PLATES**

E2TZ-16720-B	(G)	Front Fender Side Name Plate - F100	F100	1982-84	<b>15.00 ea.</b>
E2TZ-16720-C	(H)	Front Fender Side Name Plate - F150	F150	1982-86	<b>25.00 ea.</b>
E2TZ-16720-D	(I)	Front Fender Side Name Plate - F250	F250	1982-86	<b>30.00 ea.</b>
E2TZ-16720-E		Front Fender Side Name Plate - F350	F350	1982-86	<b>35.00 ea.</b>
E2TZ-16720-F	(K)	Front Fender Side Name Plate - XLT	F100/350	1982-86	<b>Coming</b>
E2TZ-16720-G		Front Fender Side Name Plate - XL	F100/350	1982-86	<b>Coming</b>
E5TZ-16720-A	(L)	Front Fender Side Name Plate - 4 x 2	F100/350	1980-86	<b>15.00 ea.</b>
E3TZ-9840282-A	(M)	Front Fender Side Name Plate - 4 x 4	F100/350	1980-86	<b>Coming</b>



G



I



K



H



L



M

**JACK ASSEMBLY**

E8TZ-17080-B	Jack Assembly for 3 ton Truck	Super Duty, F350	1988/96	<b>75.00 ea.</b>
--------------	----------------------------------	------------------	---------	------------------



**E8TZ-17080-B**

**SPEEDOMETER ASSEMBLY**

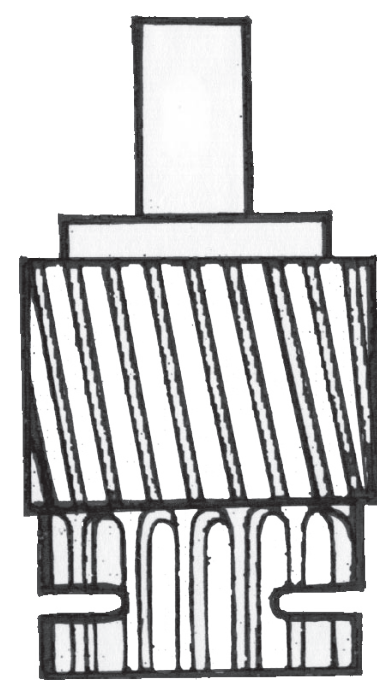
E1TZ-17255-B	Speedometer Head Assembly - 85 mph / 130 kmph - without tripometer	F100/350 U150	1980-86	<b>250.00 ea.</b>
F0TZ-17255-D	Speedometer Head Assy. w/ tripometer	F150-350 Bronco, Super Duty	1990-91	<b>250.00 ea.</b>



**E1TZ-17255-B**

**SPEEDOMETER DRIVEN GEARS**

<b>3 SPEED AUTOMATIC TRANSMISSION</b>		
C0DZ-17271-A	- 16 teeth	<b>10.00 ea.</b>
C3DZ-17271-C	- 17 teeth	<b>10.00 ea.</b>
C0DD-17271-B	- 18 teeth	<b>10.00 ea.</b>
C7VY-17271-A	- 19 teeth	<b>10.00 ea.</b>
C1DZ-17271-A	- 20 teeth	<b>10.00 ea.</b>
C40Z-17271-A	- 21 teeth	<b>10.00 ea.</b>
<b>4 SPEED TRANSMISSION</b>		
C2DZ-17271-J	- 16 teeth	<b>10.00 ea.</b>
C7SZ-17271-A	- 17 teeth	<b>10.00 ea.</b>
C2DZ-17271-K	- 18 teeth	<b>10.00 ea.</b>
C4DZ-17271-A	- 19 teeth	<b>10.00 ea.</b>
C2DZ-17271-H	- 20 teeth	<b>10.00 ea.</b>
E0TZ-17271-A	- 21 teeth	<b>10.00 ea.</b>
E0TZ-17285-B	Speedometer Drive Gear in Transmission - 8 Teeth w/3 speed - M/T, W/3.00 gear ratios 1980-86 F100/350	<b>10.00 ea.</b>
B5A-19581-A	Speedometer Cable Lube - Comes in a tube - ALL	<b>5.50 ea.</b>
C1DZ-17292-A	Speedometer Driven Gear Retainer Clip "C" type - U150, F100/350, 1980-89	<b>1.00 ea.</b>



**SPEEDOMETER CABLE AND HOUSING**

E0TZ-17260-Y	Speedometer Cable and Housing - Automatic 3 & 4 speed - 2 wheel drive - from 11/79 - 77"	F100/350	1980-86	<b>35.00 ea.</b>
C9MY-17303-A	Speedometer Head to Instrument Panel Gasket	F100/350 U150	1980-86	<b>5.00 ea.</b>

**WINDSHIELD WIPER RELATED PARTS**

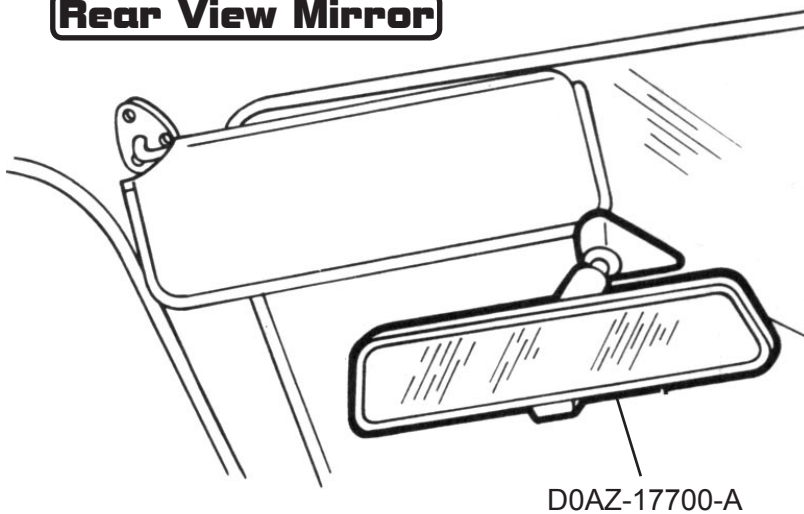
D3TZ-17512-A	Windshield Wiper Switch Control Nut	F100/350,Bronco	1980-86	<b>8.00 ea.</b>
D8VY-17513-A	Windshield Wiper Switch Control Knob - Wiper/Washer	F100/350,Bronco	1980-84	<b>24.00 ea.</b>
E5TZ-17513-A	Windshield Wiper Switch Control Knob - Wiper/Washer	F100/350,Bronco	1985-89	<b>14.00 ea.</b>
C7TZ-17526-B	Windshield Wiper Arm - Replacement by Trico	F100/350,Bronco	1980-89	<b>18.00 ea.</b>
C3SZ-17528-A	Windshield Wiper Blade - Silver - Replacement by Trico	F100/350,Bronco	1980-89	<b>11.00 ea.</b>
C5ZZ-17531-A	Windshield Wiper Arm Clip - goes under dash to motor	F100/350,Bronco	1980-89	<b>1.50 ea.</b>
E7TZ-17A553-A	Windshield Wiper and Washer Switch with intermittant wipers	F100/350,Bronco	1980-89	<b>70.00 ea.</b>
E7TZ-17A553-B	Windshield Wiper and Washer Switch W/O intermittant wipers	F100/350,Bronco	1980-89	<b>45.00 ea.</b>
F6TZ-17566-AB	Windshield Wiper Pivot & Arm Assembly - Right Side	F100/350,Bronco	1980-89	<b>20.00 ea.</b>
F6TZ-17567-AA	Windshield Wiper Pivot & Arm Assembly - Left Side	F100/350,Bronco	1980-89	<b>20.00 ea.</b>
D8BZ-17618-A	Windshield Wiper Reservoir w/o pump w/ gas engine - Includes Cap	F100/350,Bronco	1980-84	<b>Coming</b>
E5TZ-17618-A	Windshield Wiper Reservoir - Less Pump With gas engine - Includes Cap	F100/350,Bronco	1985-86	<b>80.00 ea.</b>
C9AZ-17664-A	Windshield Wiper Reservoir Pump	F100/350,Bronco	1980-89	<b>15.00 ea.</b>
F4TZ-17C476-CA	Windshield Wiper Governor	F150/350, Bronco	1994-97	<b>45.00 ea.</b>



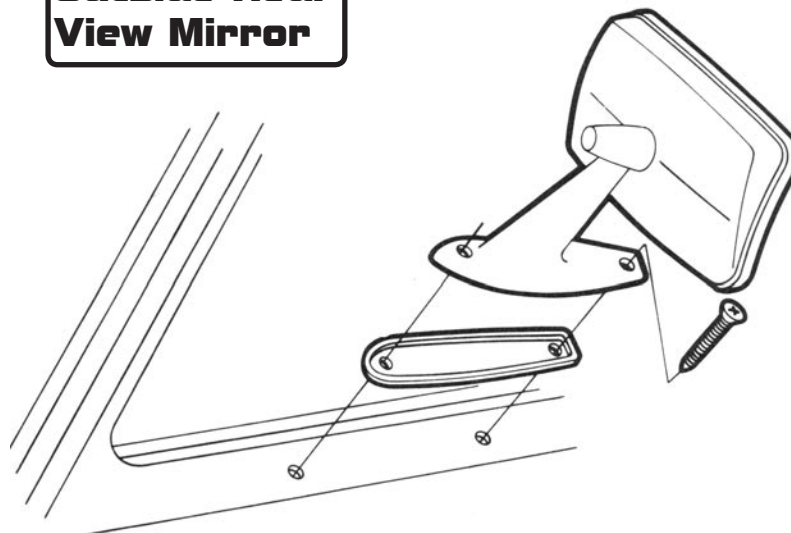
**REAR VIEW MIRRORS**

E0TZ-17682-D	Outside of Door Rear View Mirror - Right Side -Includes Pad and Screws	F100/350 Bronco	1980-89	<b>110.00 ea.</b>
E0TZ-17682-E	Outside of Door Rear View Mirror - Left Side -Includes Pad and Screws	F100/350 Bronco	1980-89	<b>Coming</b>
F1TZ-17682-D	Outside Rear View Mirror - Low Profile	F150/250 Bronco	1991-96	<b>85.00 ea.</b>
D0AZ-17700-A	Inside Rear View Mirror - Day/Night	F100/350 Bronco	1980-89	<b>60.00 ea.</b>

**Rear View Mirror**

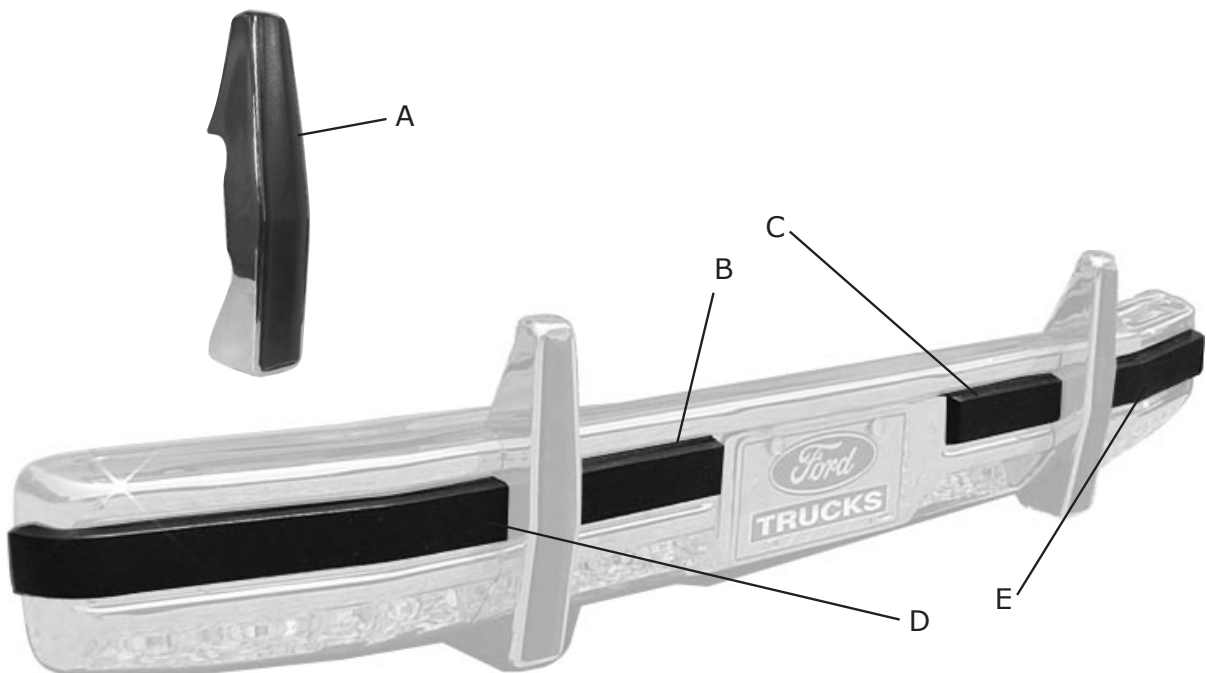


**Outside Rear View Mirror**



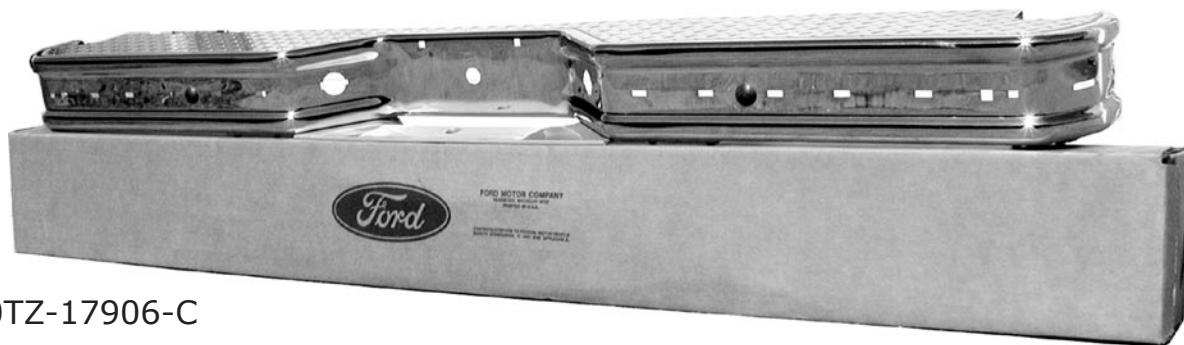
**FRONT BUMPER AND RELATED PARTS**

E1TZ-17757-A		Chrome Front Bumper Without Horizontal Pads No Hardware - Imported	F100/350 Bronco	1980-86	<b>200.00 ea.</b>
E0TZ-17779-A		Front Bumper Stone Deflector	F100/350, Bronco	1980-86	<b>200.00 ea.</b>
D8TZ-17A812-A	(A)	Front Bumper Guard Pad - For Original Guards Only	F100/350 Bronco	1980-89	<b>15.00 ea.</b>
E0TZ-17C829-A	(B)	Front Bumper Horizontal Pad - Center - Right Side	F100/350 Bronco	1980-86	<b>20.00 ea.</b>
E0TZ-17C829-B	(C)	Front Bumper Horizontal Pad - Center - Left Side	F100/350 Bronco	1980-86	<b>20.00 ea.</b>
E0TZ-17K833-A	(D)	Front Bumper Horizontal Pad - Outer - Right Side	F100/350 Bronco	1980-86	<b>30.00 ea.</b>
E0TZ-17K834-A	(E)	Front Bumper Horizontal Pad - Outer - Left Side	F100/350 Bronco	1980-86	<b>30.00 ea.</b>
E0TZ-17984-A		Front Bumper Guard & Pad - Right or Left Side	F100/350 Bronco	1980-86	<b>60.00 ea.</b>
F1TZ-17K833-A		Front Bumper Pad Assy. in Red	F150-350, Bronco	1991	<b>50.00 ea.</b>
F2TZ-17996-C		Bumper Guard w/ rub strip	F150-350, Bronco	1992-96	<b>80.00 ea.</b>
F2TZ-17996-D		Bumper Guard w/o rub strip	F150-350, Bronco	1992-96	<b>80.00 ea.</b>
E0TZ-17C829-S		Front Bumper Horizontal Pads - set of 4			<b>100.00 set</b>
C4TZ-17997-SET		Front bumper to Guard Seals - set of 4 - For 2 bumper guards. Keeps bumpers from being scratched.	F100/350 Bronco	1978-86	<b>8.00 set</b>



**REAR BUMPER AND RELATED PARTS**

E0TZ-17906-C	Rear Bumper Chrome Step Type with Horizontal Pads - style side - No Hardware	F100/350	1980-86	<b>150.00 ea.</b>
E0TZ-17K831-A	Rear Bumper Pad - Right Side - Step type - Style Side	F100/350	1980-86	<b>25.00 ea.</b>
E0TZ-17K832-A	Rear Bumper Pad - Left Side - Step type - Style Side	F100/350	1980-86	<b>25.00 ea.</b>



E0TZ-17906-C

**SHOCK ABSORBERS**

E0TZ-18124-B	Shock Absorber - Front	F100/150	1980-86	<b>39.00 ea.</b>
E0TZ-18125-B	Shock Absorber - Rear	F100/150	1980-84	<b>39.00 ea.</b>

**WINDOW VENT SHADES**

E0TZ-18246	Window Vent Shades - Chrome	F100/350, Bronco	1980-86	<b>30.00 pr.</b>
------------	-----------------------------	------------------	---------	------------------

**HEATER HOSE**

APA-18472-A	Heater Hose - Black - 5/8" I.D. - Non Returnable Sold by the Foot		All	<b>1.00 ft.</b>
C9PZ-18472-F	Heater Hose - Black - 3/4" I.D. - Non Returnable Sold by the Foot		All	<b>1.00 ft.</b>
BPA-18572	Heater Hose Clamp - 5/8"		All	<b>1.00 ea.</b>

**HEATER AND AIR CONDITIONER REGISTER VENTS**

D20Z-19893-A	Deluxe Heater or Integral Air Conditioner Dash Register - Right Side of Dash - (2) per truck	F100/350, Bronco	1980-86	<b>Coming</b>
E0TZ-19893-A	Deluxe Heater or Integral Air Conditioner Dash Register - Left Side of Dash - (2) per truck	F100/350, Bronco	1980-86	<b>25.00 ea.</b>
E7TZ-19893-B	Instrument Cluster A/C or Heater Register Vent - Left	F150/350, Bronco	1987-91	<b>60.00 ea.</b>
E7TZ-19893-C	Instrument Cluster A/C or Heater Register Vent - Right	F150/350, Bronco	1987-91	<b>60.00 ea.</b>




E0TZ-19893-A



E7TZ-19893-C

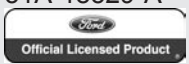
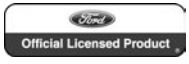
**HEATER AND AIR CONDITIONER RELATED PARTS**

F5VY-18A318-A	Air Conditioner or Heat Door Vacuum Control Motor - On plenum chamber - with deluxe heater or integral air conditioner	F100/350	1980-86	<b>20.00 ea.</b>
E0TZ-18A318-A	Fresh Air Door Vacuum Control Motor - On Evaporator - With deluxe heater or integral air conditioner	F100/350, U150	1980-86	<b>30.00 ea.</b>
E0TZ-18A318-B	Vacuum Control Motor Assembly w/ A/C or hi - Low Vent w/ 2 port chamber	F100/350, Bronco	1980-86	<b>30.00 ea.</b>
E9TZ-18A318-C	Vacuum Control Motor Assembly ( w/ 2 position)	F150-350, Bronco	1988-91	<b>15.00 ea.</b>
E3TZ-18476-E	Heater Core w/ Std. Heater	F100/350, Bronco	1980-86	<b>35.00 ea.</b>
E3TZ-18476-G	Heater Core w/ Integrel A/C or Hi/Lo Vent System - Aftermarket	F100/350 Bronco	1980-86	<b>25.00 ea.</b>
E0TZ-18552-A	Air Control Cable - Heater or Integral Air Conditioner	F100/350, Bronco	1980-82	<b>30.00 ea.</b>
E4TZ-18552-B	Air Control Cable - Heater or Integral Air Conditioner	F100/350, Bronco	1985-86	<b>20.00 ea.</b>
D9AZ-19A786-A	Heater Blower Motor Vent Tube - With Integral Air Conditioner	F100/350, Bronco	1980-86	<b>15.00 ea.</b>
E0TZ-19C827-B	Integral A/C or Hi and Low Vent A/C Vacuum Hose Harness Assembly 3-1-1-1 Nipples Part of Plenum Chamber	F100/350, Bronco	1980-86	<b>10.00 ea.</b>
E0UZ-19B888-A	A/C Vacuum Selector Valve Assy. w/ Aux., Integal A/C	E100/350	1980-82	<b>50.00 ea.</b>
				
E0TZ-19B888-B	A/C Vacuum Selector Valve Assembly - W/ integral A/C, Hi & Low Vent	F100/350, Bronco	1980-82	<b>160.00ea.</b>
E4TZ-19860-A	Evaporator Core w/ Integal A/C	F100/350 Bronco	1982-86	<b>90.00 ea.</b>
D5AZ-19986-A	Blower Switch - Heater or Integral Air Conditioner	F100/350, Bronco	1980-86	<b>25.00 ea.</b>

**TEMPERATURE CONTROL CABLE**

E0TZ-19988-A	Temp. Control Cable - Deluxe Heater or Integral A/C	F100/350, Bronco	1980-82	<b>30.00 ea.</b>
E3TZ-19988-A	Temp. Control Cable - Deluxe Heater or Integral A/C	F100/350, Bronco	1983	<b>40.00 ea.</b>
E4TZ-19988-A	Temp. Control Cable - Deluxe Heater or Integral A/C	F100/350, Bronco	1984-86	<b>40.00 ea.</b>

**EXHAUST DEFLECTORS**

51A-18529-A	Exhaust Deflector - Ford Script - Stainless Steel		All	<b>16.00 ea.</b>
				
51A-18529-B	Exhaust Deflector - V8 - Stainless Steel		All	<b>16.00 ea.</b>
				
51A-18529-P	Exhaust Deflector - Plain - Stainless Steel		All	<b>15.00 ea.</b>

**Exhaust Deflectors**



**ANTENNA RELATED PARTS**

D3AZ-18A886-A	Radio Antenna Replacement Mast	F100/350, Bronco	1980-86	<b>15.00 ea.</b>
D70Z-18817-A	Radio Receiver Knobs	F100/350	1980-84	<b>Coming</b>
E0TZ-18A908-A	Radio Antenna Lead In Wire Grommet	F100/350, Bronco	1980-86	<b>2.00 ea.</b>

**WEATHERSTRIP GLUE**

C0AZ-19554-A	Weatherstrip Glue - comes in a tube			<b>10.00 ea.</b>
--------------	-------------------------------------	--	--	------------------

**RADIO ANTENNA ASSEMBLY**

E0TZ-18813-A	Radio Antenna Assembly - Exact of Original	F100/350 U100/350	1980-87 1980-87	<b>70.00 ea.</b>
--------------	--	----------------------	--------------------	------------------





# **CAB**

- Windshield
- Radio Panel
- Glovebox
- Sunvisor
- Floor Mat
- Doors
- Rear Window
- Dash Panel

**COWL LACING - Hood to Firewall Seal**

E5TZ-1502824-A	Cowl Lacing	F100/350 Bronco	1980-86	<b>60.00 ea.</b>
E7TZ-1502824-A	Cowl Lacing	F100/350 Bronco	1987-91	<b>60.00 ea.</b>

**WINDSHIELD Moulding SET**

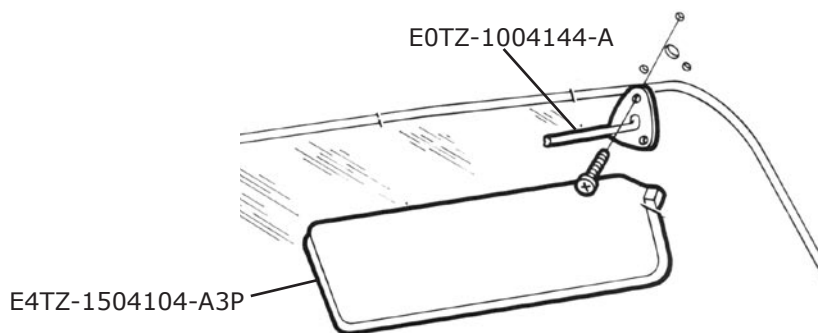
E0TZ-1003136-SET	Windshield Moulding Set - Bright Finish - (5 pcs)	F100/350,Bronco	1980-86	<b>235.00 set</b>
E1DZ-6629100-A	Windshield Belt Moulding Clip	F100/350, Bronco	1980-86	<b>2.00 ea.</b>

**GARNISH Moulding**

E0TZ-1003598-A	Windshield Side Garnish Moulding - Right - without headliner, In Tan	F100/350, Bronco	1980-86	<b>60.00 ea.</b>
E0TZ-1003599-A	Windshield Side Garnish Side Moulding - Left - without headliner, in Tan	F100/350, Bronco	1980-86	<b>60.00 ea.</b>
E8TZ-1503598-D	Windshield Side Garnish Moulding - Right	F150/350, Bronco	1987-91	<b>20.00 ea.</b>
E8TZ-1503599-D	Windshield Side Garnish Moulding - Left	F150/350, Bronco	1987-91	<b>20.00 ea.</b>
E8TZ-1503606-A	Windshield Garnish Finish Upper Moulding	F150/350, Bronco	1987-91	<b>60.00 ea.</b>
F0TZ-1542410-A	Back Window Garnish Upper Moulding (Reg Cab)	F150/350	1987-91	<b>60.00 ea.</b>
E7TZ-1542456-B	Back Window Garnish Lower Moulding (Reg Cab)	F150/350	1987-91	<b>37.00 ea.</b>

**SUNVISOR RELATED PARTS**

E4TZ-1504104-A3P	Sunvisor - Charcoal - Less Arm & Bracket	F150/350, Bronco	1984-85	<b>50.00 ea.</b>
E0TZ-1004144-A	Sunvisor Arm & Bracket	F100/350, Bronco	1980-86	<b>30.00 ea.</b>



**DASH PANEL PAD**

E1TZ-1004282-A5A	Dash Panel Pad - Black	F100/350,Bronco	1980-86	<b>Coming</b>
E4TZ-1004282-B0P	Dash Panel Pad - Charcoal	F150/350,Bronco	1984-85	<b>500.00 ea.</b>

**INSTRUMENT PANEL COVER**

E8TZ-1504371-A	Instrument Panel Radio Cover "Ford" - Tan	F150/350, Bronco	1988-91	<b>20.00 ea.</b>
----------------	---	------------------	---------	------------------



E8TZ-1504371-A

**INSTRUMENT PANEL NAME PLATE**

E2TZ-1004460-A		Instrument Panel Name Plate - XL	F100/350	1982-86	<b>Coming</b>
E2TZ-1004460-B	(A)	Instrument Panel Name Plate - XLT	F100/350	1982-86	<b>25.00 ea.</b>
E7TZ-1504460-B	(B)	Instrument Panel Name Plate - XL - F-Series	F150/350	1987-91	<b>5.00 ea.</b>
E7TZ-1504460-C	(C)	Instrument Panel Name Plate - XLT Lariat	F150/350	1987-91	<b>8.00 ea.</b>
E7TZ-1504460-D	(D)	Instrument Panel Name Plate - Custom	F150/350	1987-91	<b>8.00 ea.</b>
E7TZ-9804460-B	(E)	Instrument Panel Name Plate - XLT Bronco	Bronco	1987-91	<b>5.00 ea.</b>
E7TZ-9804460-A		Instrument Panel Name Plate - Bronco	Bronco	1987-91	<b>5.00 ea.</b>



A



D



B



E



C

**INSTRUMENT CLUSTER MAIN FINISH PANEL**

F0TZ-15044D70-B	-Woodgrain Finish -Diesel with Integral Air Conditioner	F150/350	1987-91	<b>60.00 ea.</b>
E3TZ-10044D70-R	-Woodgrain Finish Diesel with Integral Air Conditioner	F250/350	1983	<b>Coming</b>



F0TZ-15044D70-B

**INSTRUMENT PANEL LOWER FINISH PANEL**

E7TZ-15044D71-A	-Black Finish - Left -Without Auxiliary Fuel Tank	F100/350	1987-89	<b>Coming</b>
E7TZ-15044D71-B	-Black Finish - Left -With Auxiliary Fuel Tank	F150/350	1987-91	<b>60.00 ea.</b>
E7TZ-15044D71-C	-Woodgrain Finish -With Auxiliary Fuel Tank	F150/350	1987-91	<b>40.00 ea.</b>
E9TZ-15044D70-E	-Black Finish -With Electronic 4-speed Overdrive	F150/350	1989	<b>30.00 ea.</b>
E7TZ-98044D71-A	-Black Finish -Without Rear Window Defroster	Bronco	1987-91	<b>Coming</b>
E7TZ-98044D71-B	-Black Finish -With Rear Window Defroster	Bronco	1987-91	<b>25.00 ea.</b>
E7TZ-98044D71-C	-Woodgrain Finish -Without Rear Window Defroster	Bronco	1987-91	<b>35.00 ea.</b>



E7TZ-98044D71-B



E7TZ-15044D71-C

**INSTRUMENT CLUSTER OPENING FINISH PANELS**

E0TZ-10044D70-G	-Black / With Mesh Weave Finish -With Radio -Without Clock	F100/350, Bronco	1980-81	<b>25.00 ea.</b>
E2TZ-10044D70-C	-Woodgrain Finish -Without Radio or Clock -Without Nameplate Holes	F100/350, Bronco	1982-84	<b>Coming</b>
E2TZ-10044D70-D	-Woodgrain Finish -With Radio & Clock -No Nameplate Holes	F100/350, Bronco	1982-84	<b>Coming</b>
E2TZ-10044D70-H	-Black / With Mesh Weave Finish -Without Radio or Clock	F100/350, Bronco	1982-83	<b>25.00 ea.</b>
E2TZ-10044D70-K	-Black / With Mesh Weave Finish -With Radio -Without Clock	F100/350, Bronco	1982-83	<b>25.00 ea.</b>
E2TZ-10044D70-L	-Woodgrain Finish -Without Radio or Clock -With Nameplate Holes	F100/350, Bronco	1982-84	<b>Coming</b>
E2TZ-10044D70-M	-Woodgrain Finish -With Radio -Without Clock	F100/350, Bronco	1982-84	<b>Coming</b>
E5TZ-15044D70-L	-Woodgrain Finish -With Radio & Clock -With Nameplate Holes	F150/350	1985-86	<b>Coming</b>
E5TZ-15044D70-M	-Woodgrain Finish -Without Radio or Clock -With Nameplate Holes	F150/350	1985-86	<b>Coming</b>
E5TZ-15044D70-R	-Woodgrain Finish -Without Radio or Clock -Without Nameplate Holes	F150/350	1985-86	<b>Coming</b>
E5TZ-15044D70-G	-Medium Gray Metallic Finish without Bright Bead -With Radio -Without Clock	F150/350	1985-86	<b>Coming</b>
E5TZ-15044D70-K	-Woodgrain Finish -With Radio & Nameplate Holes -Without Clock	F150-350, Bronco	1985-86	<b>Coming</b>



E0TZ-10044D70-G

**GLOVE BOX AND RELATED PARTS**

E0TZ-10060A08-A	Glove Box Door Check Cable Assembly	F100/350,Bronco	1980-86	<b>10.00 ea.</b>
E0TZ-1006010-A	Glove Box Liner Assembly - with integral A/C - before 2/85	F100/350,Bronco	1980-85	<b>25.00 ea.</b>
E0TZ-1006010-B	Glove Box Liner Assembly - w/o integral A/C - before 2/85	F100/350,Bronco	1980-85	<b>60.00 ea.</b>
E5TZ-1506010-A	Glove Box Liner Assembly - w/o integral A/C - from 2/85	F100/350,Bronco	1985-86	<b>40.00 ea.</b>
E5TZ-1506010-B	Glove Box Liner Assembly - with integral A/C - from 2/85	F100/350,Bronco	1985-86	<b>110.00 ea.</b>
E0TZ-1006050-A	Instrument Panel Glove Box Door Hinge	F100/350,Bronco	1980-86	<b>80.00 ea.</b>
E1FZ-6106064-A	Instrument Panel Glove Box Lock Catch	F100/350,Bronco	1980-86	<b>36.00 ea.</b>
E1FZ-6106072-A	Instrument Panel Glove Box Latch - Non Locking	F100/350,Bronco	1980-85	<b>27.50 ea.</b>
E0VY-5406072-A	Instrument Panel Glove Box Door Latch for Locking Glove Box - before 4/85	F100/350,Bronco	1980-85	<b>30.00 ea.</b>

**FRONT FLOOR MAT**

E3TZ-1013010	Front Floor Rubber Mat - Black use old mat as pattern for cutouts Replacements	F100/350	1980-86	<b>90.00 ea.</b>
E3TZ-1013010-B8A	Front Floor Mat - Black - Front of Reg. Cab with Automatic or 3 spd Manual	F100/350	1980-83	<b>100.00 ea.</b>
2C3Z-2513010-BAA	Black Front Floor Mat - Reg. Cab w/ manual trans, except diesel	F250-550 Super Duty	2002	<b>75.00 ea.</b>

**FLOOR PANS**

E0TZ-1011135-R	Floor Pan for Reg. Cab - Right - 30" L x 26" W	F100/350	1980-92	<b>35.00 ea.</b>
E0TZ-1011135-L	Floor Pan for Reg. Cab - Left - 30" L x 26" W	F100/350	1980-92	<b>35.00 ea.</b>

**SCUFF PLATES**

E0TZ-1013208-B	Scuff Plate - Bright Finish - Right	F100/350 Bronco	1980-86	<b>Coming</b>
E0TZ-1013208-C	Scuff Plate - Black Finish - Right	F100/350	1980-86	<b>45.00 ea.</b>
E0TZ-1013209-B	Scuff Plate - Bright Finish - Left	F100/350 Bronco	1980-86	<b>Coming</b>
E0TZ-1013209-C	Scuff Plate - Black Finish - Left	F100/350	1980-86	<b>Coming</b>
E9TZ-1513208-A	Scuff Plate - Black Finish - RH or LH	F100/350, Bronco	1987-89	<b>30.00 ea.</b>

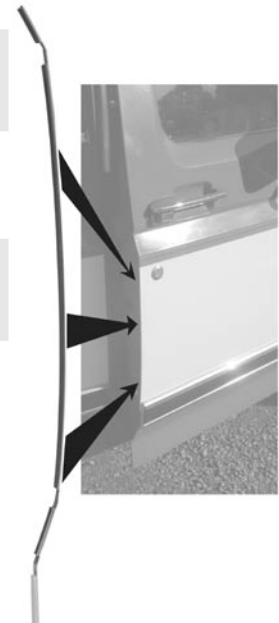


**TAPE STRIPE KITS**

E5TZ-1520000-FB	Upper Body Side Tape Stripe Kit - Blue - Regular Cab	F100/350	1985-86	<b>65.00 kit</b>
E5TZ-1520000-FU	Upper Body Side Tape Stripe Kit Medium Tan - Regular Cab	F100/350	1985-86	<b>65.00 kit</b>

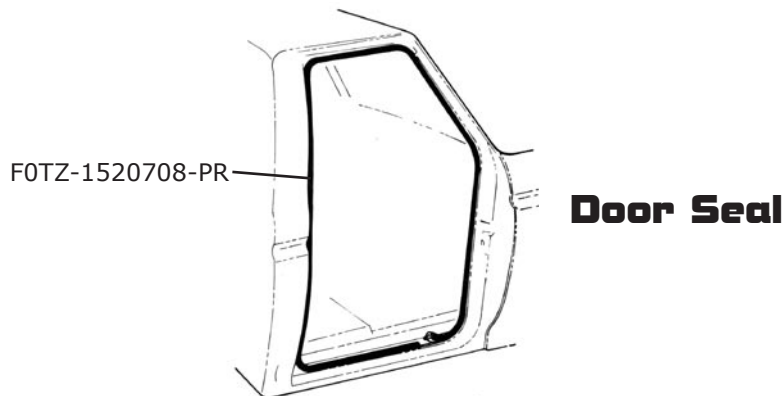
**DOOR EDGE GUARD Moulding SET**

E0TZ-1020910-ASP	Door Edge Guard Moulding Set - Bright Finish	F100/350, Bronco	1980-86	<b>20.00 set</b>
E0TZ-1020940-A	Door Edge Guard Moulding Set - Bright Finish - Right	F100/350, Bronco	1980-86	<b>12.00 ea.</b>
E0TZ-1020941-A	Door Edge Guard Moulding Set - Bright Finish - Left	F100/350, Bronco	1980-86	<b>12.00 ea.</b>



**DOOR SEALS & ANTI RATTLEERS**

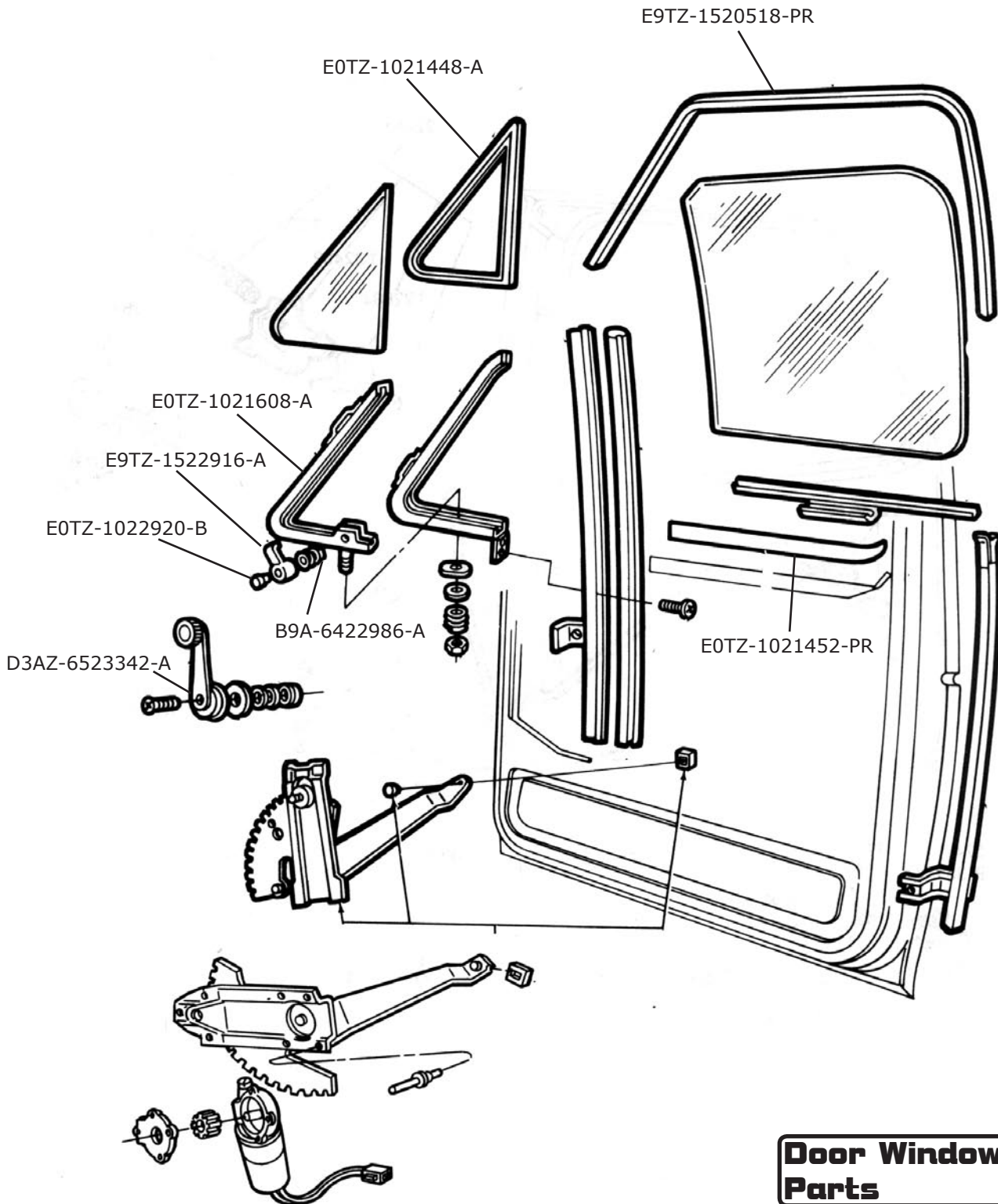
F0TZ-1520708-PR	Door Opening On Body Seal Kit - Front Door Crew Cab - Rear Door Crew Cab - Super Cab	F100/350, Bronco F350 F350	1980-96 1983-96 1983-96 1988-96	<b>100.00 pr.</b>
E0TZ-1021452-PR	Door Glass Anti-Rattlers - Right Door	F100/350, Bronco	1980-86	<b>85.00 pr.</b>
E0TZ-1021453-PR	Door Glass Anti-Rattlers - Left Door	F100/350, Bronco	1980-86	<b>85.00 pr.</b>
E7TZ-1521452-PR	Anti-Rattler Felts for RH Door Inner & Outer	F150/350 Bronco	1987-96	<b>60.00 pr.</b>
E7TZ-1521453-PR	Anti-Rattler Felts for LH Door Inner & Outer	F150/350 Bronco	1987-96	<b>60.00 pr.</b>
E0TZ-1021458-A	Door Glass Lift Channel - Right or Left	F100/350, Bronco	1980-89	<b>Coming</b>
8A-7021478	Door Glass Channel to Glass Tape Kit		All	<b>3.00 kit</b>
F5TZ-1521536-A	Door Glass Run - Front, Top, & Back side of door glass - anti-rattler - right or left door - 2 per truck	F100/350, Bronco	1980-96	<b>50.00 ea.</b>
E0TZ-1021460-CA	Complete Window Anti-Rattler Kit for both doors kit includes: 1 pr. E0TZ-1021452-PR, 1 pr. E0TZ-1021453-PR, & 2 F5TZ-1521536-A	F100/350, Bronco	1980-86	<b>250.00 kit</b>
E9TZ-1520518-PR	Top of Door Seal - Sticks to Door 3' 3" long	F100/350, Bronco	1980-89	<b>40.00 pr.</b>



**VENT WINDOW PARTS**

E0TZ-1021448-A	Vent Window Seal - Right Side	F100/350, Bronco	1980-86	<b>50.00 ea.</b>
E0TZ-1021449-A	Vent Window Seal - Left Side	F100/350, Bronco	1980-86	<b>50.00 ea.</b>
E0TZ-1021448-PR	Vent Window Seals	F100/350, Bronco	1980-86	<b>90.00 pr.</b>
E0TZ-1021608-A	Vent Window Frame - Right Side	F100/350, Bronco	1980-86	<b>150.00 ea.</b>
E0TZ-1021609-A	Vent Window Frame - Left Side	F100/350, Bronco	1980-86	<b>150.00 ea.</b>
E5UZ-1521609-A	Vent Window Frame - Left Side	E150/350	1985-86	<b>50.00 ea.</b>
E9TZ-1522916-A	Vent Window Handle - Right Side - no button	F100/350, Bronco	1980-89	<b>14.00 ea.</b>
E9TZ-1522917-A	Vent Window Handle - Left Side - no button	F100/350, Bronco	1980-89	<b>14.00 ea.</b>
E0TZ-1022920-B	Vent Window Handle Button - Right or Left	F100/350, Bronco	1980-89	<b>5.00 ea.</b>
B9A-6422986-A	Vent Window Handle Spring - Right or Left	F100/350, Bronco	1980-89	<b>2.50 ea.</b>





**Door Window  
Parts**

DIAGRAM FOR REFERENCE ONLY

**DOOR LATCH PARTS**

F0AZ-5421813-A	Door Latch Assembly - Left Side	F100/350, Bronco	1980-81	<b>90.00 ea.</b>
F1ZZ-6121812-A	Door Latch Assembly - Right Side	F100/350, Bronco	1982-89	<b>105.00 ea.</b>
F1ZZ-6121813-A	Door Latch Assembly - Left Side	F100/350, Bronco	1982-89	<b>105.00 ea.</b>
E0TZ-1021818-B	Door Latch Remote Control & Link Assembly - Right Side	F100/350, Bronco	1980-89	<b>62.50 ea.</b>
E0TZ-1021819-B	Door Latch Remote Control & Link Assembly - Left Side	F100/350, Bronco	1980-89	<b>62.50 ea.</b>
D5TZ-1021850-A	Door Lock Knob - Black - Octagon Head - Before 3/81	F100/350, Bronco	1980-81	<b>4.00 ea.</b>
E6TZ-1521853-A	Door Latch Push Button Lock Rod - Left Side	F100/350, Bronco	1981-86	<b>12.00 ea.</b>
E0TZ-1021853-A	Door Latch Push Button Lock Rod - Left Side	F100/350, Bronco	1980-81	<b>12.00 ea.</b>
C9AZ-71431A36-AA	Door Lock Knob - Chrome - From 3/81	F100/350	1981-89	<b>15.00 ea.</b>
D2VY-65219A38-B	Door Latch Rod Bushing	F100/350	1980-89	<b>3.00 ea.</b>
D9BZ-5421952-B	Door Latch Rod Retainer Lower -	F100/350, Bronco	1980-89	<b>5.00 ea.</b>
E1DZ-5421952-A	Upper Door Latch to Cyl. Control Retainer	F150/350, Bronco	1984-86	<b>2.00 ea.</b>
E6AZ-5421952-A	Door Latch Control to Cyl. Upper Retainer	F100/350	1980-83	<b>2.00 ea.</b>
E9AZ-5422008-A	Door Latch Striker Plate	F100/350	1980-86	<b>25.00 ea.</b>
E0TZ-1022168-J	Door Latch or Lock Control Assy. - carmel - Right	F100/350, Bronco	1980	<b>14.00 ea.</b>
E0TZ-1022168-M	Door Latch or Lock Control Assy. - sand - Right	F100/350, Bronco	1980	<b>14.00 ea.</b>
E1TZ-1022168-A	Door Latch or Lock Control Assy. - fawn - Right	F100/350, Bronco	1981	<b>14.00 ea.</b>
E1TZ-1022168-B	Door Latch or Lock Control Assy. - nutmeg - Right	F100/350, Bronco	1981	<b>14.00 ea.</b>
E1TZ-1022168-C	Door Latch or Lock Control Assy. - spruce - Right	F100/350, Bronco	1981	<b>14.00 ea.</b>
E0TZ-1022169-L	Door Latch or Lock Control Assy. - red - Left	F100/350, Bronco	1980-81	<b>14.00 ea.</b>
E1TZ-1022169-A	Door Latch or Lock Control Assy. - fawn - Left	F100/350, Bronco	1980-81	<b>14.00 ea.</b>



E0TZ-1022168-J

**Door Handle and Latch Parts**

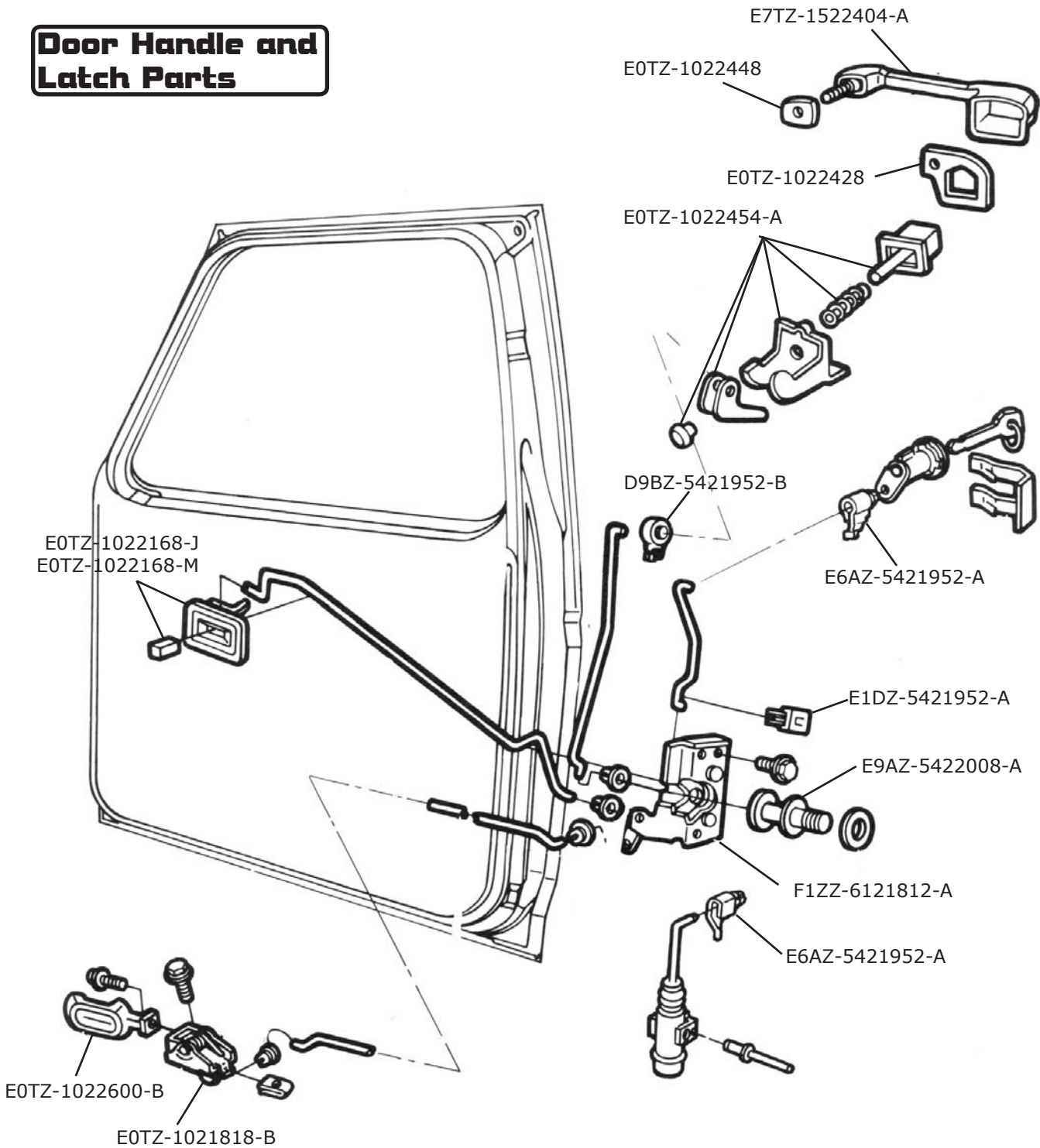


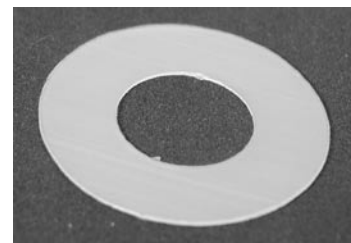
DIAGRAM FOR REFERENCE ONLY

**DOOR WINDOW REGULATOR**

E7TZ-1523200-A	Door Window Manual Regulator - Right Side	F100/350, Bronco	1980-89	<b>145.00 ea.</b>
E7TZ-1523201-A	Door Window Manual Regulator - Left Side	F100/350, Bronco	1980-89	<b>160.00 ea.</b>
D6AZ-5323240-A	Door Window Regulator Arm Roller	F100/350, Bronco	1980-89	<b>10.00 ea.</b>
D0AZ-62234A24-B	Window Regulator Electric Drive Gear Kit - Right or Left Door	F100/350, Bronco	1981-89	<b>40.00 ea.</b>
D0AZ-62234A24-KIT	Window Regulator Drive Gear Repair Kit - For Electric windows - Kit does 1 door	F100/350 Bronco	1981-90 1978-90	<b>8.00 kit</b>

**DOOR HANDLES - INSIDE & OUT**

E7TZ-1522404-A	Outside Door Handle - Right Side - Includes Push Button	F100/350 Bronco	1980-96	<b>135.00 ea.</b>
E7TZ-1522405-A	Outside Door Handle - Left Side - Includes Push Button	F100/350 Bronco	1980-96	<b>135.00 ea.</b>
E0TZ-1022428	Outside Door Handle Pad Set	F100/350 Bronco	1980-96	<b>20.00 set</b>
E0TZ-1022454-A	Outside Door Handle Push Button & Guide Assembly	F100/350 Bronco	1980-96	<b>40.00 ea.</b>
E0TZ-1022600-B	Inside Door Handle - Right Side	F100/350 Bronco	1980-86	<b>60.00 ea.</b>
E0TZ-1022601-B	Inside Door Handle - Left Side	F100/350 Bronco	1980-86	<b>60.00 ea.</b>
E7TZ-15226A06-A	Door Handle Inside Boot - Right Side - Black	F150/350, Bronco	1987	<b>15.00 ea.</b>
D3AZ-6523342-A	Inside Window Crank Handle Assembly - with clear knob	F100/350 Bronco	1980-86	<b>26.00 ea.</b>
C8AZ-6223370-A	Inside Window Crank Handle Escutcheon	F100/350 Bronco	1980-86	<b>2.50 ea.</b>



C8AZ-6223370-A



D3AZ-6523342-A



E0TZ-1022600-B



**DOOR INSIDE TRIM PANELS - ORIGINAL FORD**

**WITHOUT WOODGRAIN INSERT  
WITHOUT BRIGHT FINISH Mouldings**

E3TZ-1023942-A7U	Door Inside Trim Panel - Right Side - Tan	F100/350 U150	1983-85	<b>Coming</b>
E3TZ-1023943-A7U	Door Inside Trim Panel - Left Side - Tan	F100/350 U150	1983-85	<b>Coming</b>
E4TZ-1023843-A8P	Door Inside Trim Panel - Left Side - Charcoal	F100/350	1984	<b>Coming</b>

**WITHOUT WOODGRAIN INSERT  
WITH BRIGHT FINISH Mouldings**

E1TZ-1023942-B6D	Door Inside Trim Panel - Right Side - Red - - Horizontal Sliding Door locks	F100/350	1980-81	<b>Coming</b>
E3TZ-1023942-B7U	Door Inside Trim Panel - Right Side - Tan	F100/350 U150	1983-85	<b>Coming</b>
E3TZ-1023943-B7U	Door Inside Trim Panel - Left Side - Tan	F100/350 U150	1983-85	<b>Coming</b>

**VINYL WITHOUT BRIGHT FINISH Mouldings**

E5TZ-1023942-A9B	Door Inside Trim Panel - Right Side - Blue	F150/350 U150	1985-86	<b>Coming</b>
E9TZ-1523943-A1A	Door Inside Trim Panel - Left Side - Blue	F150/350 U150	1989	<b>130.00 ea.</b>
E9TZ-1523942-A3E	Door Inside Trim Panel - Right Side - Granite	F150/350 U150	1989	<b>Coming</b>



**Inside Door Panel  
E1TZ-1023942-B6D**

**ARM REST PAD**

E1TZ-1024100-A3T	Arm Rest Pad - Right Side - in nutmeg	F100/350, Bronco	1980-81	<b>35.00 ea.</b>
E1TZ-1024101-A3T	Arm Rest Pad - Left Side - in nutmeg -Will fit up to 1986	F100/350, Bronco	1980-81	<b>35.00 ea.</b>

**BED SIDE NAMEPLATES - STYLE SIDE**

E5TZ-9925622-B	Bed Side Nameplate - Explorer	F100/350	1980-86	<b>Coming</b>
----------------	-------------------------------	----------	---------	---------------

**CAB SIDE NAMEPLATES - STYLE SIDE**

E0TZ-1050398-C	Cab Side Nameplate - Lariat	F100/350	1980-86	<b>67.50 ea.</b>
----------------	-----------------------------	----------	---------	------------------



E0TZ-1050398-B	Cab Side Nameplate - XLT	F100/350	1980-86	<b>25.00 ea.</b>
----------------	--------------------------	----------	---------	------------------



**Cab Side Nameplate  
E0TZ-1050398-C**



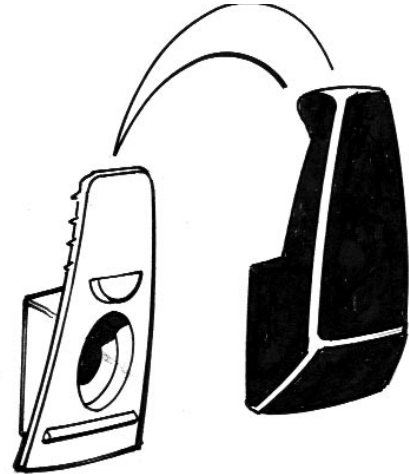
**Cab Side Nameplate  
E0TZ-1050398-B**

**REAR WHEEL OPENING SPLASH SHIELDS**

E3TZ-9928370-B	Rear Wheel Opening Splash Shields - without dual rear wheels	F100/350 Bronco	1980-86	<b>50.00 ea.</b>
----------------	---	--------------------	---------	------------------

**COAT HANGER HOOK**

E0AZ-5429024-A	Coat Hanger Hook in black plastic	F100/350, Bronco	1980-86	<b>3.00 ea.</b>
C8AZ-6229232-A	Coat Hook Plastic Retainer	F100/350, Bronco	1968-86	<b>3.00 ea.</b>



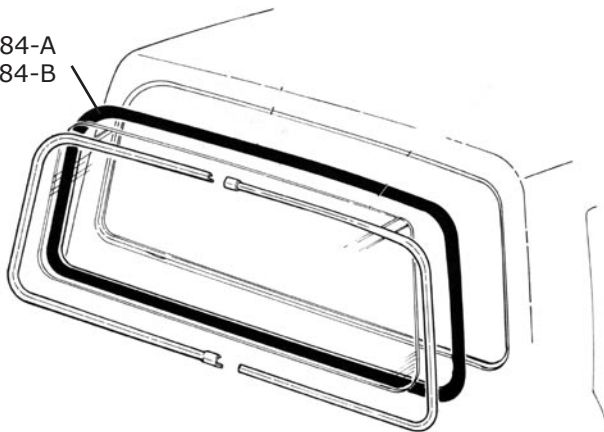
**BODY PANELS**

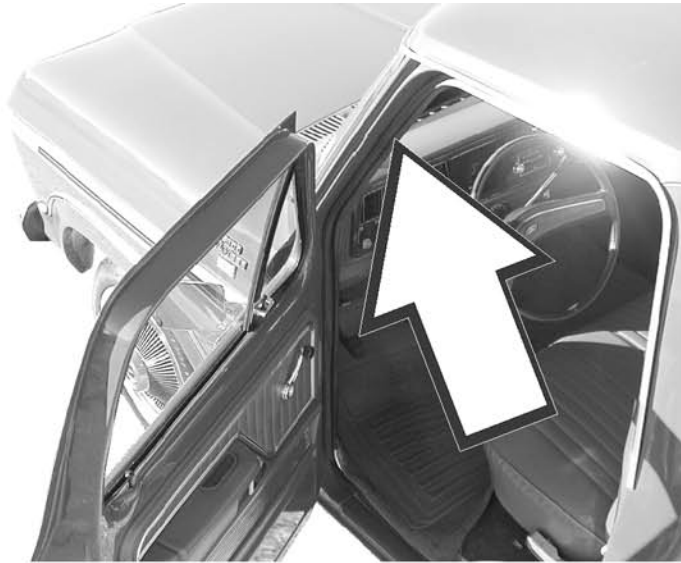
E0TZ-13278A29-A	Body Rear Corner Panel ext. Left for Super Cab	F150/350	1980-86	<b>15.00 ea.</b>
E7TZ-18280A58-A	Body Side Rear Corner Right for Super Cab	F150/350	1987-91	<b>80.00 ea.</b>
E7TZ-18280A59-A	Body Side Rear Corner Left for Super Cab	F150/350	1987-91	<b>40.00 ea.</b>

**REAR WINDOW RUBBER SEALS**

E0TZ-1042084-A	Back Glass Seal - No Chrome & fixed rear window No Groove For Chrome	F100/350 Super Duty	1980-97 1988-97	<b>40.00 ea.</b>
E0TZ-1042084-B	Back Glass Seal - with chrome & fixed rear window With Groove for Chrome	F100/350 Super Duty	1980-91 1988-89	<b>40.00 ea.</b>
E2TZ-1042084-A	Back Glass Seal - with sliding rear window	F100/350 Super Duty	1982-98 1988-98	<b>60.00 ea.</b>
D7TZ-1042430-KIT	Flexible Plastic Chrome Moulding Kit for Fixed Rear - window with narrow plastic chrome strip	F100/350	1980-86	<b>80.00 kit</b>
E1TZ-98422A20-A	Back Window Glass Lower Side Run - RH or LH	Bronco	1978-96	<b>60.00 ea.</b>
XC3Z-15423A68-AA	Back Window Decal - "50th Anniversery"			<b>6.00 ea.</b>

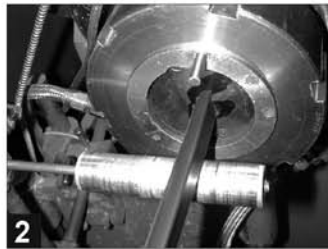
E0TZ-1042084-A  
E0TZ-1042084-B





**We're quick to point out that quality comes standard in all of our weather stripping!**

Our rubber extrusion machine (1) is capable of producing 25,000 feet of sponge rubber weather stripping a day. The molten sponge rubber is injected and pulled through a mold that replicates the cross section shape. (2) Then it's pulled through a curing, cleansing, & cooling bathes. It's later used to produce specific door or trunk weatherstripping.



[www.dennis-carpenter.com](http://www.dennis-carpenter.com)

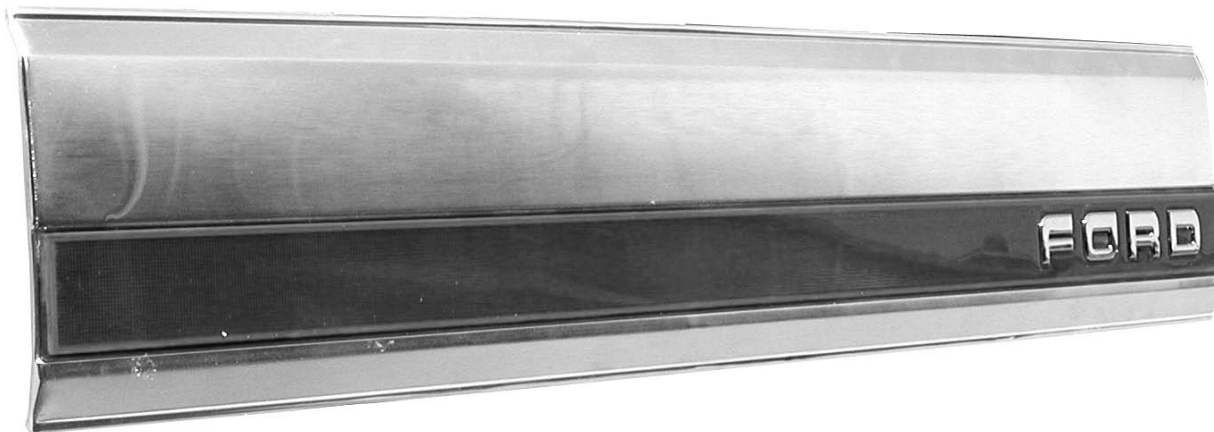


# **BED**

- Bed Parts
- Tailgate Parts


**TAILGATE FINISH PANEL & NAMEPLATES**

E5TZ-99425A34-A	Tailgate Outside Finish Panel	F100/350	1985-86	<b>Coming</b>
E7TZ-99425A34-A	Tailgate Finish Panel - Brush Aluminum - w/ red plastic, w/ Ford letters	F150/350	1987-91	<b>400.00 ea.</b>
E7TZ-98425A34-A	Tailgate Finish Panel - brushed aluminum - w/ red plastic, w/ Ford oval	Bronco	1987-91	<b>200.00 ea.</b>
F2TZ-99425A34-A	Tailgate Finish Panel w/ Ford Letters - Brushed Alum.	F150/350	1992-96	<b>400.00 ea.</b>
F2TZ-98425A34-A	Tailgate Finish Panel w/ Ford Oval - Brushed Alum.	Bronco	1992-96	<b>460.00 ea.</b>



***Tailgate Finish Panel  
E7TZ-98425A34-A***

**TAILGATE FINISH PANEL & NAMEPLATES**

E0TZ-9840282-SET	Tailgate Ford Letters - F O R D -	F100/350	1980-85	<b>60.00 set</b>
E3TZ-9840282-A	Tailgate Name Plate - 4x4	F100/350	1980-86	<b>20.00 ea.</b>
D3TZ-9925622-D	Tailgate Name Plate - Explorer	F100/350	1980-86	<b>25.00 ea.</b>
E7TZ-9942528-AD	Tailgate Transfer in Red/Orange	F150/350	1987-91	<b>20.00 ea.</b>
E8TZ-9942528-AB	Tailgate Transfer in Blue	F150/350	1987-91	<b>20.00 ea.</b>
E0TZ-9940282-A	Tailgate Nameplate XLT	F100/350	1980-86	<b>20.00 ea.</b>
E0TZ-9940282-B	Tailgate Name Plate - Lariat	F100/350	1980-86	<b>20.00 ea.</b>



E0TZ-9840282-SET




E0TZ-9940282-A



E0TZ-9940282-B

**TAILGATES - NO HARDWARE**

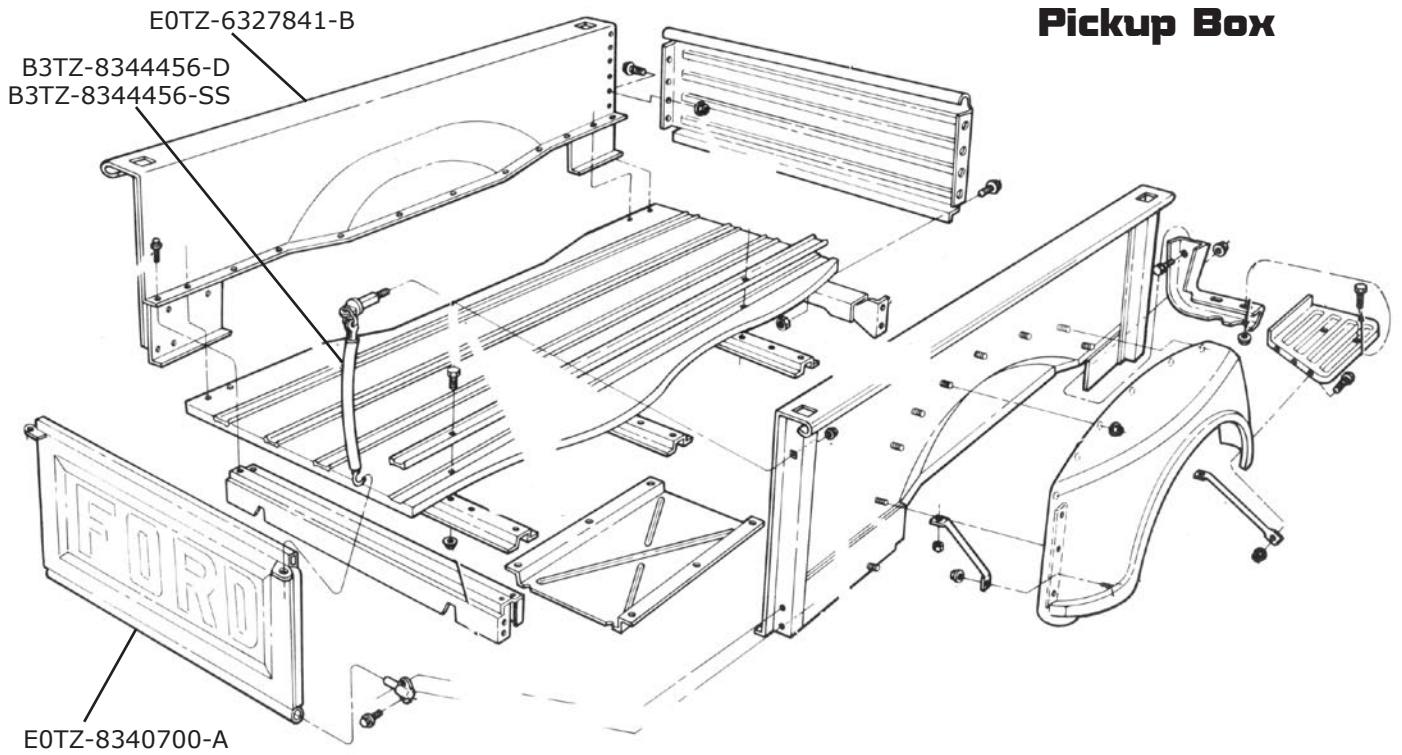
E0TZ-8340700-A 	Tailgate for Step Side Bed - STEPSIDE Made off of Original Ford Tooling	F100-250	1980-86	<b>375.00 ea.</b>
E0TZ-9940700-A	Tailgate - STYLESIDE	F100/350	1980-86	<b>375.00 ea.</b>
E7TZ-9940700-A	Tailgate - STYLESIDE	F100/350	1987-91	<b>500.00 ea.</b>

**Step Side Tailgate**  
**E0TZ-8340700-A**

Made off of Original Ford Tooling,  
exactly like the original.



**Tailgate Assembly**  
**E0TZ-9940700-A**

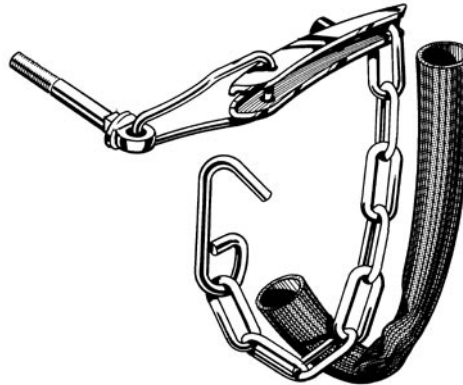


**STEP SIDE  
Pickup Box**

**TAILGATE CHAIN RELATED PARTS**

7C-8144450-S	Tailgate Chain Rubber Covers	F100/250	1948-87	<b>6.00 pr.</b>
B3TZ-8344456-D	Tailgate Chains & Brackets - Rubber Covers included - Zinc Plated	F100/250	1973-87	<b>70.00 pr.</b>
B3TZ-8344456-SS	Tailgate Chains & Brackets - Rubber Covers included - Stainless	F100/250	1973-87	<b>100.00 pr.</b>
BAAA-8344458-S	Tailgate Chain Special Rubber Bumper - Fits in bracket	F100/250	1973-87	<b>3.50 pr.</b>

**Polished Stainless Steel  
Tailgate Chains with Rubber  
Covers  
B3TZ-8344456-SS**



**BED SIDE AND RELATED PARTS**

Note: Add \$30.00 for crating for each bed side. Must be shipped by truck. Call for Details

E3TZ-9927840-D	Bed Side Panel - Right Side - 6 3/4' bed - style side - with single fuel filler opening	F100/350	1983-86	<b>450.00 ea.</b>
E3TZ-9927840-C	Quarter Panel Assembly - Right - 8 ft. Bed - w/ dual or single fuel tank	F100/350	1983-86	<b>450.00 ea.</b>
E7TZ-9827840-D	Quarter Panel Assembly - Right - w/Swing away tire carrier holes -	Bronco	1987-91	<b>400.00 ea.</b>
E0TZ-8327841-B	Bed Side Panel - Left Side - 6 3/4' bed - step side	F100/250	1980-87	<b>500.00 ea.</b>

**BOLTS**

**NOTE: Bed Strips by the foot - no holes  
Cold Rolled Steel - \$.85 per foot  
Stainless Steel - \$1.85 per foot**

Bolts for above bed strips - These bolts have a knurled underhead. To install them you must drill a 9/32" hole in the strip for a press fit

23503-P	Bolt - Plain head - knurled			<b>.60 ea.</b>
23503-CC	Bolt - Chrome Finish - Knurled			<b>1.00 ea.</b>
355471-S8	Special Bolt to Fasten Rear Fenders to the Bed Side Panel - Exactly as Original - 5/16" x 24 x 5/8" - 26 per truck	F100/250	1980-87	<b>1.00 ea.</b>
355471-SS	Rear Fender Bolt in Polished Stainless Steel - 5/16" 24 x 5/8" for step side bed only			<b>2.00 ea.</b>
355471-SSK	Rear Fender Bolt Kit in Polished Stainless Steel - 5/16" 24 x 5/8" for step side bed only			<b>40.00 kit</b>

**STYLE SIDE PICKUP TAILGATE RELATED PARTS**

F1TZ-9925622-AU	Body Side Transfer in Tan "4x4" RH or LH	F150/350	1991-93	<b>15.00 ea.</b>
E3TZ-9943052-B	Tailgate Check Cable - Right Side	F100/350	1983-86	<b>30.00 ea.</b>
E3TZ-9943053-B	Tailgate Check Cable - Left Side	F100/350	1983-89	<b>30.00 ea.</b>
E0TZ-99439A00-B	Tailgate Bumper	F100/350	1980-85	<b>4.00 ea.</b>
E0TZ-9944482-A	Tailgate Support Arm Retaining Bumper	F100/350	1980-83	<b>5.00 ea.</b>
E0TZ-9941018-A	Tailgate Upper Moulding w/o vinyl insert	F100/350 Bronco	1980-84 1980-86	<b>50.00 ea.</b>
D8TZ-9841608-A	Tailgate to Body Seal	Bronco	1978-91	<b>150.00 ea.</b>



**TAILGATE HINGES**

E0TZ-9943018-A	Tailgate Hinge - Right Side	F100/350	1980-86	<b>30.00 ea.</b>
E0TZ-9943019-A	Tailgate Hinge - Left Side	F100/350	1980-86	<b>Coming</b>
E3TZ-99430B22-B	Tailgate Hinge Opening Insert	F100/350	1983-86	<b>9.00 ea.</b>
8C-8343018	Tailgate Hinge - Step Side	F100/250	1942-87	<b>6.00 ea.</b>
8C-8343018-SS	Tailgate Hinge - Step Side - Stainless	F100/250	1942-87	<b>15.00 ea.</b>

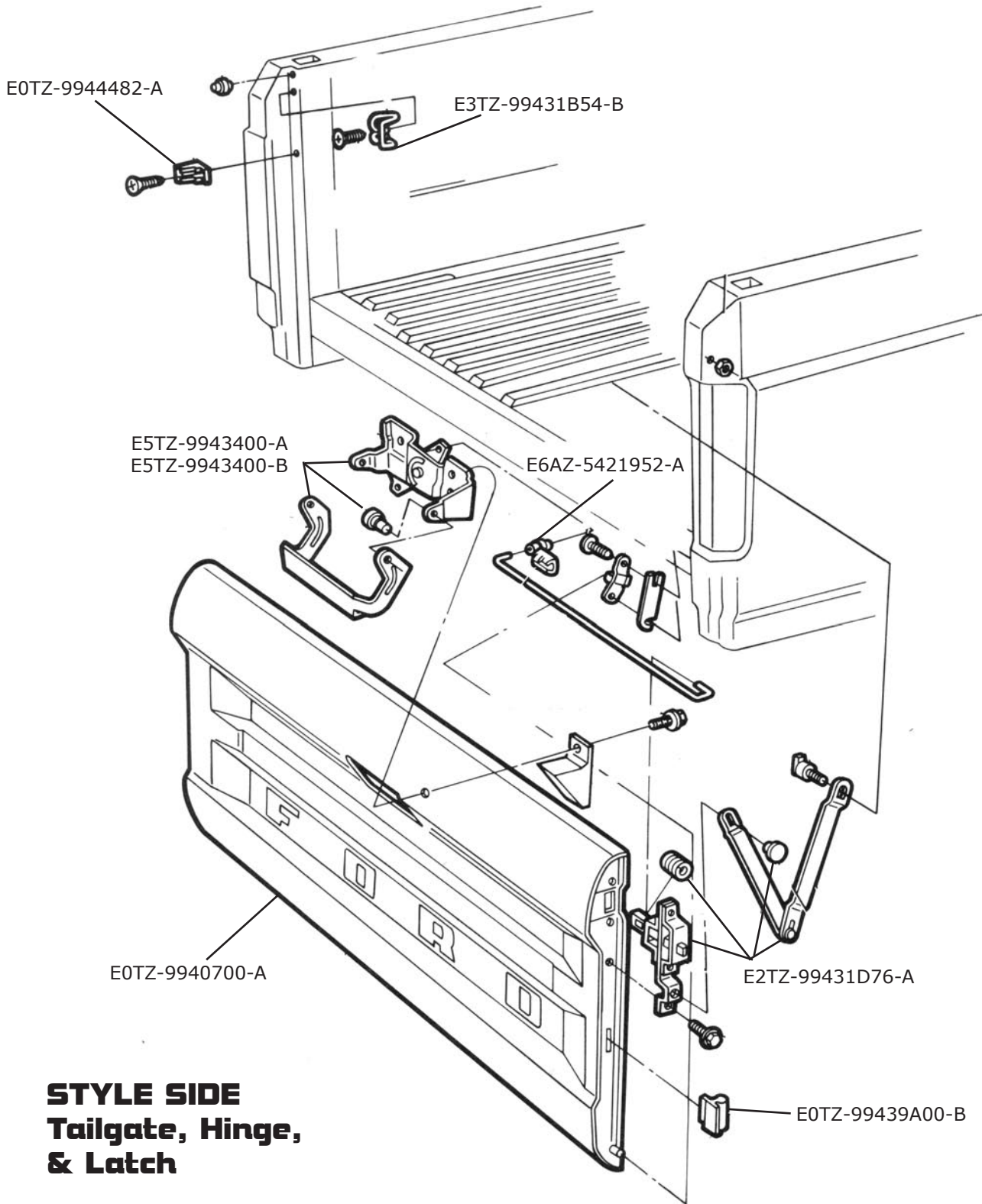
**STYLE SIDE PICKUP TAILGATE RELATED PARTS**

E3TZ-99431B54-B	Tailgate Latch on Body - Right or Left Side	F100/350	1980-89	<b>Coming</b>
E2TZ-99431D76-A	Tailgate Latch Release Bracket - Right Side	F100/350	1980-82	<b>70.00 ea.</b>
E2TZ-99431D77-A	Tailgate Latch Release Bracket - Left Side	F100/350	1980-82	<b>70.00 ea.</b>
E3TZ-99431D76-D	Tailgate Latch in Tailgate - Right or Left Side	F100/350	1983-86	<b>60.00 ea.</b>
E6TZ-99431A78-A	Tailgate Latch Release Rod - Right Side	F100/350	1980-86	<b>30.00 ea.</b>
E6TZ-99431A79-A	Tailgate Latch Release Rod - Left Side	F100/350	1980-86	<b>30.00 ea.</b>
E3TZ-1021952-A	Plastic Clip - Black Tailgate Release Rod to Handle - RH	F100/350	1974-86	<b>1.00 ea.</b>
E3TZ-1021952-B	Plastic Clip - Green Tailgate Release Rod to Handle - LH	F100/350	1974-86	<b>1.00 ea.</b>
E5TZ-9943400-A	Tailgate Release Handle Assembly - Cadmium Finish	F100/350	1980-86	<b>80.00 ea.</b>
E5TZ-9943400-B	Tailgate Release Handle Assembly - Bright Finish	F100/350	1980-86	<b>100.00 ea.</b>



**TAILGATE SCUFF PLATE**

D8TZ-9842624-A	Tailgate Scuff Plate - Bronco	Bronco	1978-96	<b>40.00 ea.</b>
----------------	-------------------------------	--------	---------	------------------



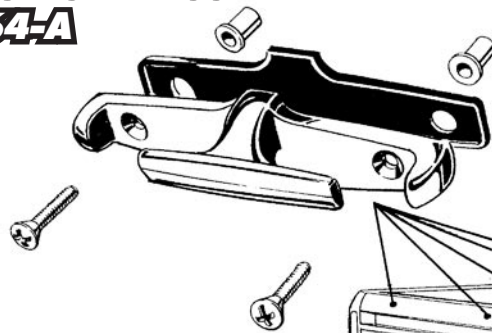
**STYLE SIDE  
Tailgate, Hinge,  
& Latch**

DIAGRAM FOR REFERENCE ONLY

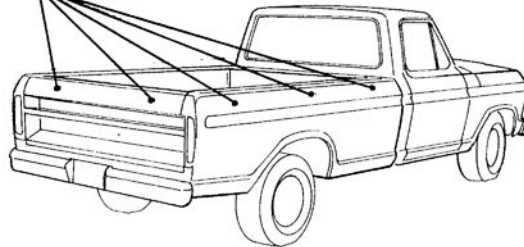
**PICKUP BED TIE DOWN HOOKS**

D3TZ-9900064-A	PickUp Box Tie Down Hooks - Style Side - with screws & retainers	F100/350	1967-89	<b>20.00 ea.</b>
D3TZ-9900078-A	PickUp Box Tie Down Hook Pads Style Side - (8) per truck	F100/350	1967-89	<b>3.00 ea.</b>

**Pickup Box Tie Down Hook  
D3TZ-9900064-A**

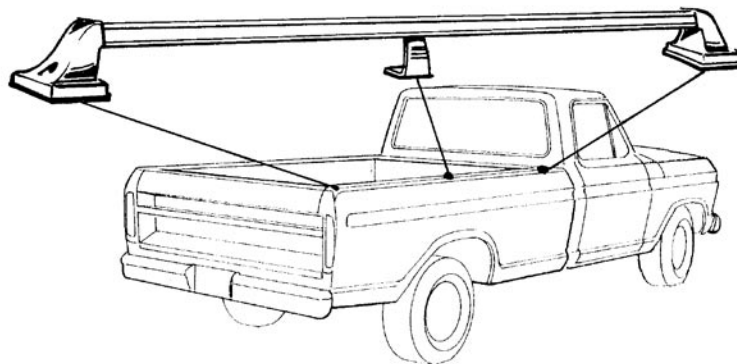


**Tie Down Hook/Mounting Pad  
D3TZ-9900078-A**



**PICKUP BED TOP SIDE RAIL KIT**

D3TZ-9932230-B	Bed Top Side Rail Kit - Style Side w/ 8 ft. bed	F100/350	1973-89	<b>Coming</b>
D3TZ-9932230-C	Bed Top Side Rail Kit - Style Side w/ 6 3/4 ft. bed	F100/350	1973-89	<b>235.00 kit</b>



**Bed Rail Kit**

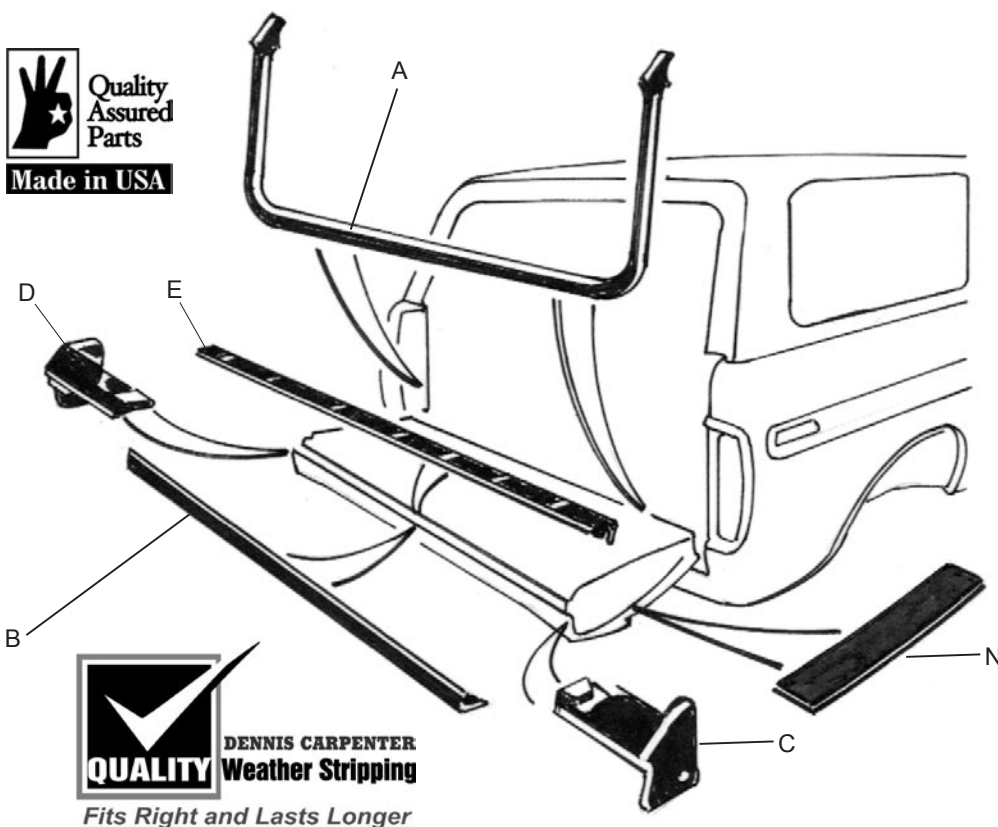


## REMOVABLE ROOF PANEL SEALS

E1TZ-98422A20-A	Back Window Glass Lower Side Run - RH or LH - Metal & Fuzzy	Bronco	1978-96	<b>60.00 ea.</b>
E1TZ-98422A20-S	Tailgate Glass Runs in Tailgate on sides - Rubber & Felt - No Metal	Bronco	1978-96	<b>20.00 pr.</b>

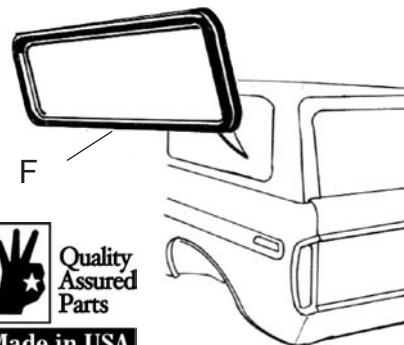
## TAILGATE SEALS - 78-96

PART #	PIC	DESCRIPTION	YEAR	PRICE
D8TZ-9841608-A	(A)	Tailgate Seal	78-96	150.00 ea.
D8TZ-9841610-A	(B)	Tailgate Outside at Belt Seal - GENUINE FORD	78-96	55.00 ea.
		Tailgate Upper Corner Seal		
D8TZ-9841616-A	(C)	- RH	78-96	20.00 ea.
D8TZ-9841617-A	(D)	- LH	78-96	20.00 ea.
D8TZ-9842072-A	(E)	Tailgate Inside at Belt Seal GENUINE FORD	78-96	45.00 ea.



## BODY SIDE PANEL SEALS - 78-89

PART #	PIC	DESCRIPTION	YEAR	PRICE
Mfg. in Our Shop Using the Best Materials Available!				
D8TZ-9829904-D	(F)	Body Side Window Seals - w/o groove for chrome - for 5/32" thick glass - except sliding glass	78-89	100.00 pr.
377977-S		Body Side Panel Rear Rubber Grommet - (2) per vehicle on top of side panel at rear	78-89	2.00 ea.



Compare Our  
**Quality**  
THERE IS A DIFFERENCE

Quality  
Assured  
Parts  
Made in USA

**REMOVABLE ROOF PANEL SEALS**

D8TZ-9851322-A	Removable Roof Front Seal - On Fiberglass Roof	Bronco	1978-96	<b>30.00 ea.</b>
D8TZ-9854732-A	Front Roof Rear Seal	Bronco	1978-88	<b>27.50 ea.</b>
E3TZ-35513A36-A	Roof Side Inner Rear Seal - Right Side - Crew Cab	F350	1983-88	<b>40.00 ea.</b>

**FRONT SEAT BACK PIVOT SIDE COVER**

E3TZ-1061694-A	Front Seat Back Pivot Side Cover - Black - Right Side	F100/350	1983-86	<b>Coming</b>
E3TZ-1061695-A	Front Seat Back Pivot Side Cover - Black - Left Side	F100/350	1983-86	<b>Coming</b>
E3TZ-1061694-B	Front Seat Back Pivot Side Cover - Blue - Right Side	F100/350	1983-86	<b>40.00 ea.</b>
E3TZ-1061695-B	Front Seat Back Pivot Side Cover - Blue - Left Side	F100/350	1983-86	<b>40.00 ea.</b>
E4TZ-1061695-A	Front Seat Back Pivot Side Cover - Charcoal Regular Cab Crew Cab Rear Seat	F150/350 F350	1984-86 1984-87	<b>40.00 ea.</b>
E3TZ-3561695-A	Front Seat Back Pivot Side Cover - Black - Crew Cab Only - Left Side	F350	1983-86	<b>7.00 ea.</b>

**SEAT PARTS**

E0TZ-9862543-A	Restrictor Cable Assy. Front Seat	F100/350, Bronco	1980-86	<b>10.00 ea.</b>
C5AZ-6261753-BA	Seat Track Adjustment Knob in black - No Clip	F100/350	1970-86	<b>2.50 ea.</b>
F2TZ-1560262-D	Front or Rear Seat Shoulder Strap Cover in Granite - fits right or left side	F150/350	1992-93	<b>4.00 ea.</b>
E4ZZ-6161286-R	Seat Belt Buckle Tongue Cover - Red	F100/350 Bronco	1983-96	<b>5.00 ea.</b>
E4ZZ-6161286-G	Seat Belt Buckle Tongue Cover - Grey	F100/350 Bronco	1983-96	<b>5.00 ea.</b>
C5AZ-6262060-A	Retainer Clip for Seat Adjustment Knob	Bronco F100/350	1966-86 4965-86	<b>1.50 ea.</b>



**C5AZ-6261753-BA**



**F2TZ-1560262-D**

# **MOULDING**

**BODY SIDE UPPER PRESSURE SENSITIVE MOULDINGS-REGULAR & SUPERCAB**

**BLACK WITH BRIGHT INSERT - CUT TO FIT**

E0TZ-16003-C	Front Fender, Door & Rear Cab Corner Panel Moulding - Right Side - (3) per truck	F100/350	1980-84	<b>Coming</b>
E0TZ-16004-C	Front Fender, Door & Rear Cab Corner Panel Moulding - Left Side - (3) per truck	F100/350	1980-84	<b>70.00 ea.</b>
E0TZ-9929039-D	Bed Side Panel Moulding - Left Side	F100/350	1980-84	<b>Coming</b>



**Front Fender, Door & Rear  
Cab Corner Panel Moulding  
E0TZ-16003-C (RIGHT SIDE)  
E0TZ-16004-C (LEFT SIDE)**

**BODY SIDE MOULDINGS PRESSURE SENSITIVE - REGULAR CAB**

E5TZ-16004-A	Front Fender Side Moulding - Black with bright insert - left	F150/350	1985-86	<b>Coming</b>
E5TZ-1520939-B	Door Upper Side Moulding - Black with bright insert - left - with swing lock mirror	F150/350	1985-86	<b>30.00 ea.</b>



**Ford Restoration Parts**

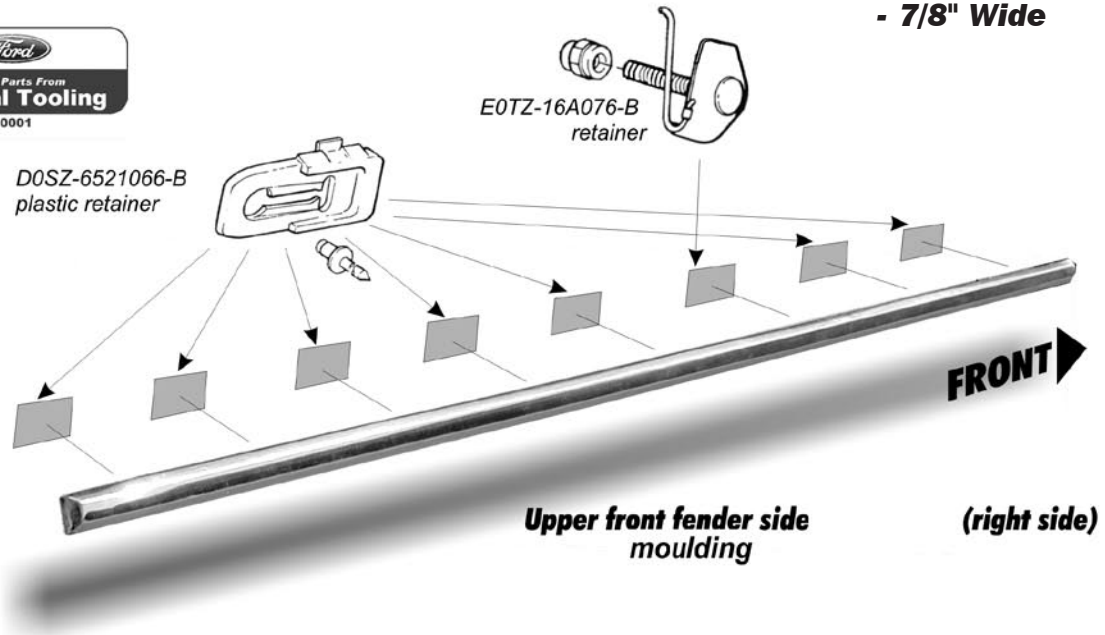
ORDER PARTS TOLL FREE: **1 800-476-9653**



**1980-1984 F100/350 Upper Front Fender Mouldings**

Placement and quantity of the moulding retainers are shown below. Applies to left or right side.

**- 7/8" Wide**



D0SZ-6521066-B plastic retainer

E0TZ-16A076-B retainer

Upper front fender side moulding

(right side)

**FENDER MOULDINGS**

E0TZ-16003-B	Front Fender Side Moulding - Right Side	F100/350	1980-84	<b>75.00 ea.</b>
E0TZ-16004-B	Front Fender Side Moulding - Left Side	F100/350	1980-84	<b>75.00 ea.</b>
D0SZ-6521066-B	Plastic Upper Body Moulding Clip - W/O Vinyl Insert takes 6 per fender/ takes 3 per door/ takes 1 per cab corner takes 12 per bed side, short or long bed/ takes 7 per tail-gate moulding takes 4 per super cab corner	F100/350	1980-84	<b>1.50 ea.</b>
E0TZ-16A076-B	Retainer	F100/350	1980-84	<b>2.00 ea.</b>



# Ford Restoration Parts

ORDER PARTS TOLL FREE: **1 800-476-9653**

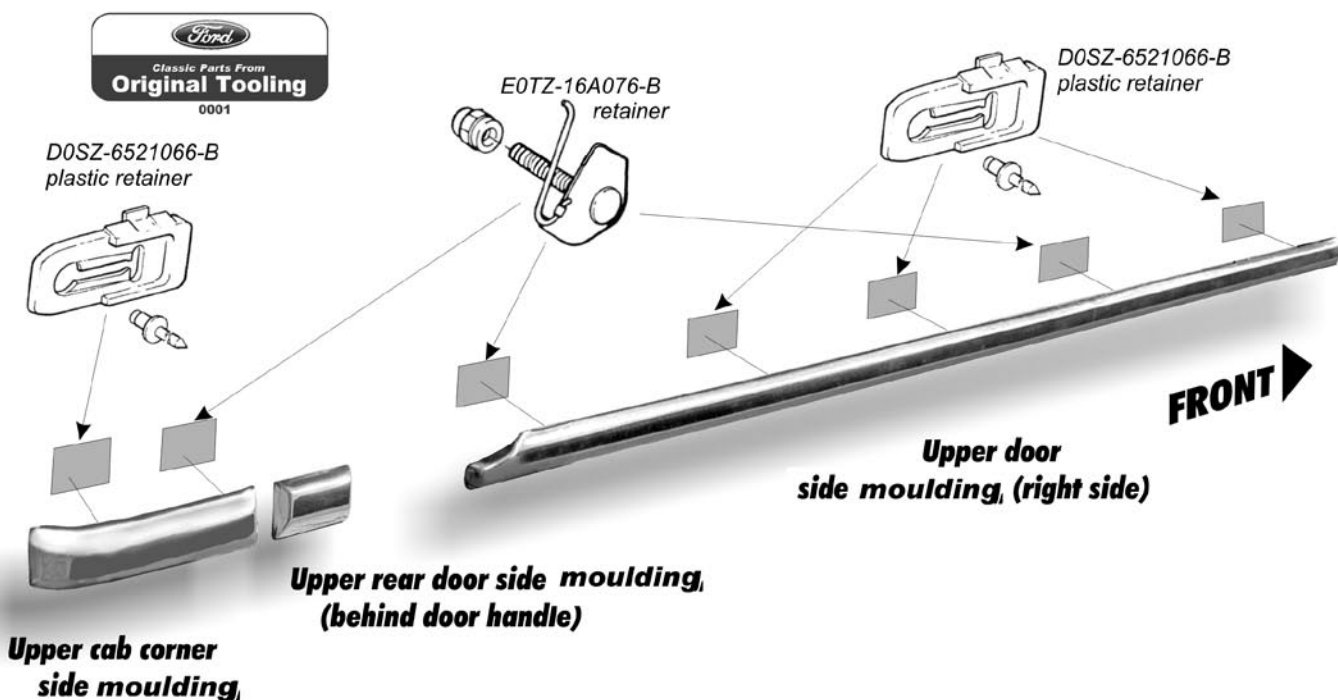


**Compare Quality  
MADE IN THE U.S.A.**

- 7/8" Wide

## 1980-1984 F100/350 Upper Cab Corner & Door Side Mouldings

Placement and quantity of the moulding retainers are shown below. Applies to left or right side.



### CAB MOULDINGS

E0TZ-1020888-A	Rear of Door Moulding Behind Handle - RH	F100/350	1980-84	20.00 ea.
E0TZ-1020889-A	Rear of Door Moulding Behind Handle - LH	F100/350	1980-84	20.00 ea.
E0TZ-1020938-A	Upper Door Moulding - RH	F100/350	1980-84	75.00 ea.
E0TZ-1020939-A	Upper Door Moulding - LH	F100/350	1980-84	75.00 ea.
E0TZ-1329038-A	Upper Cab Corner Moulding RH - Super Cab	F100/350	1980-84	40.00 ea.
E0TZ-1329039-A	Upper Cab Corner Moulding LH - Super Cab	F100/350	1980-84	40.00 ea.
E0TZ-1029038-A	Upper Cab Corner Moulding RH	F100/350	1980-84	30.00 ea.
E0TZ-1029039-A	Upper Cab Corner Moulding LH	F100/350	1980-84	30.00 ea.
D0SZ-6521066-B	Molding Clip	F100/350	1980-84	1.50 ea.
E0TZ-16A076-B	Molding Clip	F100/350	1980-84	2.00 ea.



**Ford Restoration Parts**  
ORDER PARTS TOLL FREE: **1 800-476-9653**

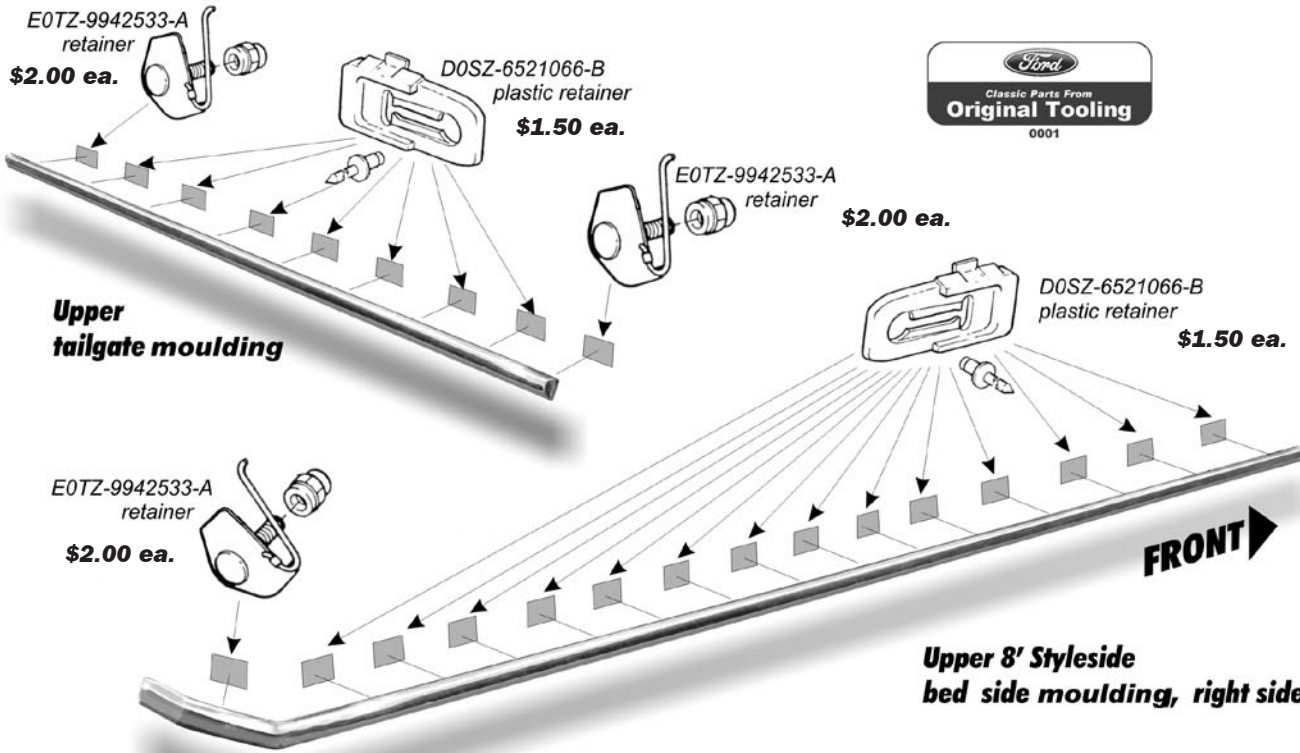


**Compare Quality**  
**MADE IN THE U.S.A.**

- 7/8" Wide

**1980-1984 F100/250 Upper Styleside Bed Side & Tailgate Mouldings**

Placement and quantity of the moulding retainers are shown below. Applies to left or right side.



**BED SIDE MOULDINGS**

E0TZ-9941018-A	Tailgate Upper Moulding	F100/350 Bronco	1980-84 1980-86	<b>50.00 ea.</b>
E0TZ-9929038-C	Upper Quarter Panel Moulding RH 8 ft. bed	F100/350	1980-84	<b>130.00 ea.</b>
E0TZ-9929039-C	Upper Quarter Panel Moulding LH 8 ft. bed	F100/350	1980-84	<b>130.00 ea.</b>
E0TZ-9929028-B	Upper Quarter Panel Moulding RH - 6 3/4 ft. bed	F100/350	1980-84	<b>125.00 ea.</b>
E0TZ-9929029-B	Upper Quarter Panel Moulding LH - 6 3/4 ft. bed	F100/350	1980-84	<b>125.00 ea.</b>
E0TZ-9942533-A	Molding Clip	F100/350	1980-84	<b>2.00 ea.</b>
D0SZ-6521066-B	Molding Clip	F100/350	1980-84	<b>1.50 ea.</b>

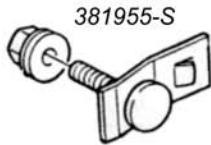


# Ford Restoration Parts

ORDER PARTS TOLL FREE: **1 800-476-9653**



## 1980-1986 F100/250 Lower Molding Retainers



381955-S Molding retainer \$1.50ea



EOTZ-1021066-A  
plastic retainer

EOTZ-1021066-A Plastic retainer (2 5/8" tall) \$2.00ea



EOTZ-1021094-A  
metal retainer

EOTZ-1021094-A Metal retainer with wire \$3.00 ea.



EOTZ-9929033-A  
retainer with stud  
- PLASTIC

EOTZ-9929033-A retainer with stud (2 5/8" tall) \$2.00ea

Number of retainers per side	Type of retainer
------------------------------	------------------

### F100/350 Front Fender Lower Molding requires:

2	EOTZ-1021094-A Metal retainer with wire
---	---

### F100/350 Door Lower Molding requires:

6	EOTZ-1021066-A Plastic retainer (2 5/8" tall)
1	EOTZ-1021094-A Metal retainer with wire

### F100/350 Cab Corner Lower Molding Std. Cab requires:

2	381955-S Molding retainer
---	---------------------------

### F100/350 Cab Corner Lower Molding Super Cab requires:

3	EOTZ-9929033-A retainer with stud (2 5/8" tall)
1	EOTZ-1021094-A Metal retainer with wire

### F100/350 8' Bedside Lower Molding (front of rear wheel)

2	381955-S Molding retainer
1	EOTZ-1021094-A Metal retainer with wire

### F100/350 8' Bedside Lower Molding (rear of rear wheel)

2	381955-S Molding retainer
1	EOTZ-1021094-A Metal retainer with wire

**ORDER PARTS by PART NUMBERS ONLY**

**1-800-476-9653**



## 1981-86 BED SIDE LOWER MOULDINGS W/ THIN VINYL INSERTS - REGULAR CAB

E1TZ-16A038-AA	Front Fender Lower Moulding - Black Thin Vinyl Insert - Right Side - From 4/81	F100/350	1981-86	<b>40.00 ea.</b>
E1TZ-16A039-AA	Front Fender Lower Moulding - Black Thin Vinyl Insert - Left Side - From 4/81	F100/350	1981-86	<b>40.00 ea.</b>
E1TZ-1020878-AA	Door Lower Side Moulding - Black Thin Vinyl Insert - Right Side - From 4/81	F100/350	1981-86	<b>75.00 ea.</b>
E1TZ-1020879-AA	Door Lower Side Moulding - Black Thin Vinyl Insert - Left Side - From 4/81	F100/350	1981-86	<b>75.00 ea.</b>
E1TZ-1029314-AA	Cab Rear Corner Lower Moulding - Black Thin Vinyl Insert - Right Side - From 4/81	F100/350	1981-86	<b>30.00 ea.</b>
E1TZ-1029315-AA	Cab Rear Corner Lower Moulding - Black Thin Vinyl Insert - Left Side - From 4/81	F100/350	1981-86	<b>30.00 ea.</b>
E1TZ-9929076-BA	Bed Side Lower Front Moulding - Right Side - 6 3/4 ft. bed - w/ black vinyl insert - From 4-81	F100/350	1981-86	<b>75.00 ea.</b>
E1TZ-9929077-BA	Bed Side Lower Front Moulding - Left Side - 6 3/4 ft. bed - w/ black vinyl insert - From 4-81	F100/350	1981-86	<b>75.00 ea.</b>
E1TZ-9929076-AA	Bed Side Panel Front Lower Moulding - Black Vinyl Insert - Right Side - 8 ft. box - from 4/81	F100/350	1981-86	<b>80.00 ea.</b>
E1TZ-9929077-AA	Bed Side Panel Front Lower Moulding - Black Vinyl Insert - Left Side - 8 ft. box - from 4/81	F100/350	1981-86	<b>80.00 ea.</b>
E1TZ-9929314-AA	Bed Side Panel Rear Lower Moulding - Black Vinyl Insert - Right Side - From 4/81	F100/350	1981-86	<b>40.00 ea.</b>
E1TZ-9929315-AA	Bed Side Panel Rear Lower Moulding - Black Vinyl Insert - Left Side - From 4/81	F100/350	1981-86	<b>40.00 ea.</b>
E1TZ-1329314-AA	Body Rear Corner Pillar Lower Moulding - Right Side - Super Cab - w/ black vinyl insert - from 4-81	F150/250	1981-86	<b>40.00 ea.</b>
E1TZ-1329315-AA	Body Rear Corner Pillar Lower Moulding - Left Side - Super Cab - w/ black vinyl insert - from 4-81	F150/350	1981-86	<b>40.00 ea.</b>

## 1981-86 BRONCO BODY SIDE LOWER MOULDINGS W/ THIN VINYL INSERTS - REGULAR CAB

E1TZ-16A038-AA	Front Fender Lower Moulding - Black Thin Vinyl Insert - Right Side - From 4/81	BRONCO	1981-86	<b>40.00 ea.</b>
E1TZ-16A039-AA	Front Fender Lower Moulding - Black Thin Vinyl Insert - Left Side - From 4/81	BRONCO	1981-86	<b>40.00 ea.</b>
E1TZ-1020878-AA	Door Lower Side Moulding - Black Thin Vinyl Insert - Right Side - From 4/81	BRONCO	1981-86	<b>75.00 ea.</b>
E1TZ-1020879-AA	Door Lower Side Moulding - Black Thin Vinyl Insert - Left Side - From 4/81	BRONCO	1981-86	<b>75.00 ea.</b>
E1TZ-9829076-AA	Quarter Panel Moulding Lower Front - BRONCO - black vinyl insert Right	Bronco	1981-86	<b>75.00 ea.</b>
E1TZ-9829077-AA	Quarter Panel Moulding Lower Front - BRONCO - black vinyl insert Left	Bronco	1981-86	<b>75.00 ea.</b>
E1TZ-9829314-BA	Quarter Panel Lower Rear Moulding - BRONCO - Right Side - w/ black vinyl insert, w/ swing away tire - from 4-81	Bronco	1981-86	<b>65.00 ea.</b>
E1TZ-9829315-AA	Quarter Panel Moulding Lower - BRONCO - rear black vinyl insert Left	Bronco	1981-86	<b>40.00 ea.</b>
E1TZ-9829314-AA	Quarter Panel Lower Rear Moulding - BRONCO - Right Side - w/ Black Vinyl Insert w/o Swing Away Tire, From 4-81	Bronco	1981-86	<b>40.00 ea.</b>

**CLIPS - FOR LOWER BODY MOLDINGS**

	Lower Front Fender Moulding Clip - Plastic - (2) per moulding	F100/350, Bronco	1980-86	<b>2.00 ea.</b>
E0TZ-1021094-A	Body Side Lower Door Moulding Clip Metal - (1) per moulding	F100/350	1980-86	<b>3.00 ea.</b>
E0TZ-1021066-A	Body Side Lower Door Moulding Clip - (6) per moulding	F100/350	1980-86	<b>2.00 ea.</b>

**CLIPS FOR UPPER BODY MOULDING**

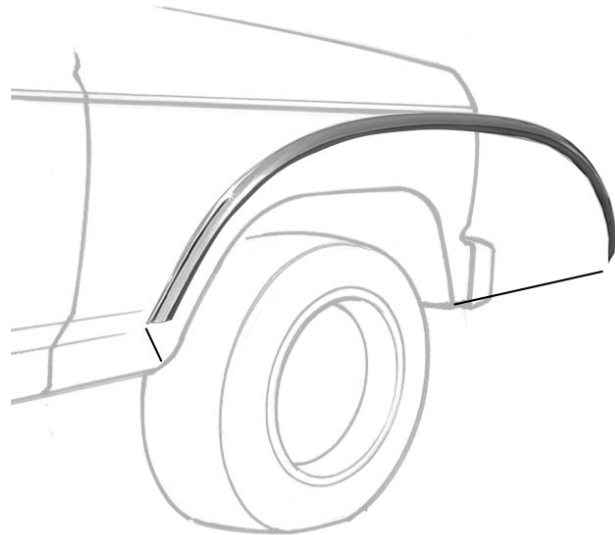
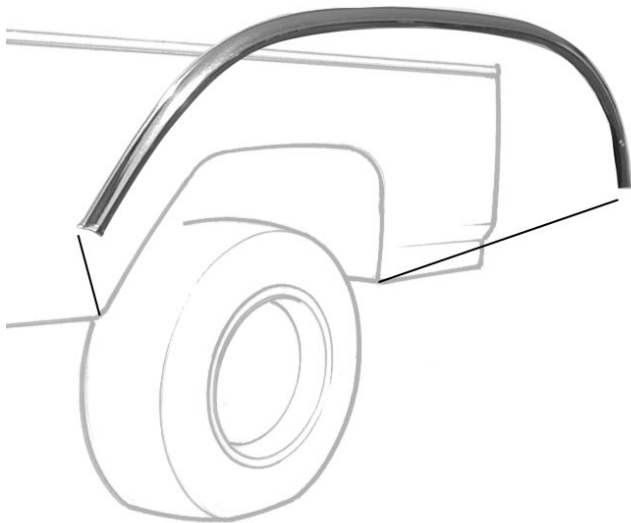
D0SZ-6521066-B	Plastic Upper Body Moulding - W/O Vinyl Insert needs 6 per fender/ needs 3 per door/ needs 1 per cab corner needs 12 per bed side, short or long bed/ needs 7 per tailgate Moulding needs 4 per super cab corner	F100/350	1980-84	<b>1.50 ea.</b>
----------------	--	----------	---------	-----------------

**BODY SIDE UPPER MOULDINGS WITH VINYL INSERT - REGULAR CAB**

E0TZ-1029039-B	Cab Corner Upper Moulding	F100/350	1980-85	<b>Coming</b>
E1TZ-1329315-AA	Rear Cab Corner Super Cab Left - upper Moulding w/black vinyl insert	F100/350	1981-86	<b>Coming</b>
E1TZ-1329314-AA	Rear Cab Corner Super Cab Right - upper Moulding w/black vinyl insert	F100/350 F100/350	1981-86 1981-86	<b>Coming</b>
E1TZ-1029315-AA	Rear Cab Corner Pillar Moulding - Left - black vinyl insert upper	F100/350	1981-86	<b>Coming</b>

**WHEEL OPENING MOULDINGS**

E0TZ-16038-A	Front Fender Wheel Opening Moulding - Right Side	F150/350	1985-86	<b>90.00 ea.</b>
E0TZ-16039-A	Front Fender Wheel Opening Moulding - Left Side	F150/350	1985-86	<b>90.00 ea.</b>
E0TZ-9929164-A	Bed Side Panel Wheel Opening Moulding - Right Side	F150/350	1985-86	<b>80.00 ea.</b>
E0TZ-9929165-A	Bed Side Panel Wheel Opening Moulding - Left Side	F150/350	1985-86	<b>80.00 ea.</b>



**E0TZ-9929164-A (right side)**  
**E0TZ-9929165-A (left side)**

**E0TZ-16038-A (right side)**  
**E0TZ-16039-A (left side)**

**MOULDINGS**

E0TZ-16003-A	Front Fender Side Moulding - Center Lower -RH - U150	F100/350	1980-81	<b>85.00 ea.</b>
E0TZ-16004-A	Front Fender Side Moulding - Center Lower -LH - U150	F100/350	1980-81	<b>85.00 ea.</b>
E0TZ-9929038-A	Quarter Panel Center Lower Moulding - RH	F100/350	1980-81	<b>75.00 ea.</b>
E0TZ-9929039-A	Quarter Panel Center Lower Moulding - LH	F100/350	1980-81	<b>75.00 ea.</b>

E0TZ-16003-A  
E0TZ-16004-A

E0TZ-9929038-A  
E0TZ-9929039-A



# New Ford Seat



*Perfect for:*  
**Bench Racing Sessions**  
**Game/Diner Rooms**  
**Birthday/Holiday Gifts**  
**Car Shows/Garages**  
**Memorabilia Collections**



3001

*All seats have white tops  
with blue side bands.*

- *Authentic Logo Design*
- *Sturdy Tube Steel Frame*
- *Durable 12 Gauge Vinyl  
Seat Cover*
- *Made In The U.S.A.*

Model 401-F

*1 ring, with swivel seat  
blue logo on white \$82.50*



704-786-8139

# MISCELLANEOUS

- Books
- Decals
- Bulbs
- Apparel

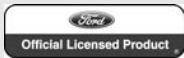
**LICENSE PLATE BOLT - Mfg. in USA**

LP-2A	License Plate Bolt with Glass Reflector - Amber			<b>6.00 ea.</b>
LP-2R	License Plate Bolt with Glass Reflector - Red			<b>6.00 ea.</b>
LP-2B	License Plate Bolt with Glass Reflector - Blue			<b>6.00 ea.</b>
LP-2G	License Plate Bolt with Glass Reflector - Green			<b>6.00 ea.</b>



**Key Chain**

KC-1	Metal Key Chain - Ford Script			<b>5.00 ea.</b>
------	-------------------------------	--	--	-----------------



KC-2	Plastic Key Chain - Ford Script			<b>4.50 ea.</b>
------	---------------------------------	--	--	-----------------



**PLASTIC TIE STRAP**

376875-S	Plastic Tie Strap			<b>.25 ea.</b>
----------	-------------------	--	--	----------------

**CAP**

CAP	Cap - Dennis Carpenter Reproductions Logo - Blue & White			<b>8.00 ea.</b>
-----	--	--	--	-----------------

**MAGNETIC SIGNS**

MM-2	Look, But Please Don't Touch			<b>6.00 ea.</b>
MM-3	Look and Enjoy, but Please Don't Touch			<b>6.00 ea.</b>

**ENGINE COMPARTMENT DECALS**

DF-194	Battery Test OK Decal		1964	<b>3.00 ea.</b>
DF-425	Dura Spark Module Decal		1974-85	<b>4.50 ea.</b>
DF-654	Radiator Caution Decal		1976-82	<b>3.50 ea.</b>
DF-714	Voltage Regulator Decal		1972-80	<b>4.00 ea.</b>
DF-715	Motorcraft Coil Decal		1972-80	<b>4.00 ea.</b>
DF-827	Climatiseur Air Conditioner Charge Decal		1979-81	<b>4.00 ea.</b>
DF-828	Coolant Caution Decal		1977-86	<b>3.50 ea.</b>
DF-838	Climatiseur Air Conditioner Charge Decal		1982-89	<b>3.50 ea.</b>
DF-840	Motorcraft Horizontal Parts Decal		1982-89	<b>3.50 ea.</b>
DF-842	Motorcraft Rectangular Parts Decal		1982-89	<b>3.50 ea.</b>
DF-864	Oil Usage Caution Decal		1982-89	<b>3.50 ea.</b>

## EMISSION DECALS

DF-1112	5.0 A/T Emission Decal - E4AE-9C485-AUC		1984	5.00 ea.
DF-1117	5.0 A/T Emission Decal - E5AE-9C485-CMK		1985	5.00 ea.
DF-1310	7.5 A/T & M/T Emission Decal - E5AE-9C485-CNE		1985	5.00 ea.
DF-712	5.0 A/T Emission Decal - E6AE-9C485-AHE		1986	6.00 ea.

## INTERIOR DECALS

DF-880	Together We Can Save Lives - Seat Belt Window Decal		1985-90	3.00 ea.
DF-908	New Vehicle Window Price Sticker		1982	3.50 ea.
DF-1163	New Vehicle Window Price Sticker		1984	3.50 ea.
DF-1203	New Vehicle Window Price Sticker		1986	3.50 ea.
DF-1282	Locking Hubs Notice Decal		1975-80	3.50 ea.

## JACK INSTRUCTIONS DECALS

DF-1289	Jack Instructions Decal - D9TA-17A083-CA		1979-80	3.00 ea.
DF-853	Jack Instructions Decal - E1TA-17093-BA		1981-86	3.50 ea.

## BOOKS

CA-3250	How to be an Expert Driver - By Al Esper, Chief Test Driver for Ford Motor Company - 18 page booklet			25.00 ea.
CA-3600	Steering Wheel Restoration Book			13.00 ea.

## LIGHT BULBS

C3DZ-13466-A	Backup Light Bulb	F100/350	1980-86	1.50 ea.
B6A-13466-1445	Headlight & Wiper/Washer Switch Lamp Bulb	F100/350	1980-86	1.00 ea.
C3AZ-13466-1157	Parklight & Front Turn Signal Bulb	F100/350	1980-87	1.50 ea.
C3AZ-13466-1157	Taillight & Rear Turn Signal Bulb	F100/350	1980-87	1.50 ea.

## BUMPER STICKERS

DF-361	Ford Script Bumper Sticker - 3-1/2"			3.00 ea.
DF-362	Ford Script Bumper Sticker - 6-1/2"			4.50 ea.
DF-363	Ford Script Bumper Sticker - 9-1/2"			5.00 ea.
DF-364	Ford Script Bumper Sticker - 17"			6.00 ea.
DF-1388	Ford Oval Decal "Blue on Clear" - 3 1/2"			3.00 ea.
DF-1389	Ford Oval Decal "Blue on Clear" - 6 1/2"			4.50 ea.
DF-1390	Ford Oval Decal "Blue on Clear" - 9 1/2"			5.00 ea.
DF-1391	Ford Oval Decal "Blue on Clear" - 17"			6.00 ea.



www.dennis-carpenter.com

DENNIS CARPENTER EMBROIDERED CASUAL WEAR

# Ultra Cotton Heavyweight GOLF Shirts

**\$22**

on Golf Shirts ONLY  
and while supplies last

## Ultra Cotton Golf Shirt

99% cotton preshrunk, 1% polyester.

DCF-3800 Dennis Carpenter Ford Golf Shirt. **\$22.00**

DCT-3800 Carpenter Ford Tractor Golf Shirt. **\$22.00**

DCC-3800 Carpenter Cushman Golf Shirt. **\$22.00**

Be sure to indicate what size you need!

Adult size shirts from S to XXXL

**FREE  
SHIPPING!**

on Golf Shirts ONLY  
and while supplies last



Classic Cushman Scooter

Classic Ford Tractor

Classic 1940 Convertible



**TO ORDER**

**TOLL FREE: 1-800-476-9653**

**ONLINE: www.dennis-carpenter.com**

**FAX: 704-786-8180** (Please allow 2 weeks for delivery)



Comes in  
Black or  
Khaki



**Khaki or Black Colored All-Star Caps**

100% brushed cotton, low profile cap with velcro back.

DCF-2917 Khaki Dennis Carpenter Ford Cap. **\$15.00**

DCF-2917-B Black Dennis Carpenter Ford Cap. **\$15.00**

DCT-2917 Khaki Carpenter Ford Tractor Cap. **\$15.00**

DCT-2917-B Black Carpenter Ford Tractor Cap. **\$15.00**

DCC-2917 Khaki Carpenter Cushman Cap. **\$15.00**

DCC-2917-B Black Carpenter Cushman Cap. **\$15.00**

**MAIL TO:** Dennis Carpenter Ford Reproductions 4140 Concord Parkway So., Concord, NC. 28027





DENNIS CARPENTER EMBROIDERED CASUAL WEAR

www.dennis-carpenter.com

## Light Blue Denim Long and Short Sleeved Shirts

100% cotton, button down collar with V-top pocket.

*Adult size shirts from S to XXXL*

**\$28**

DCF-CC10-D Long sleeved Dennis Carpenter

Ford denim shirt. S, M, L, XL

DCF-CC16-D Short sleeved Dennis Carpenter

Ford denim shirt. S, M, L, XL

DCT-CC10-D Long sleeved Ford Tractor

denim shirt. S, M, L, XL

DCT-CC16-D Short sleeved Ford Tractor

denim shirt. S, M, L, XL

DCC-CC10-D Long sleeved Cushman

denim shirt. S, M, L, XL

DCC-CC16-D Short sleeved Cushman

denim shirt. S, M, L, XL

DENNIS CARPENTER EMBROIDERED CASUAL WEAR

Shipped straight  
from our supplier  
to you.



*Classic Ford Tractor*

*Classic 1940 Convertible*

*Classic Cushman Scooter*

**FREE SHIPPING!**

on Denim ONLY  
and while supplies last

**TO ORDER**

**TOLL FREE: 1-800-476-9653**

**ONLINE: [www.dennis-carpenter.com](http://www.dennis-carpenter.com)**

**FAX: 704-786-8180** (Please allow 2 weeks for delivery)



**MAIL TO:** Dennis Carpenter Ford Reproductions 4140 Concord Parkway So., Concord, NC. 28027



# Index

## A

Accelerator Pedal Spring.....	24
Air Cleaner .....	22
Air Cleaner Related Parts.....	22
Air Conditioner Related Parts.....	44, 45
Air Control Cable .....	45
Air Filter .....	22
Alternator Regulator .....	24
Alternator Related Parts .....	24
Ammeter Gauge .....	25
Antenna .....	46
Antenna Related Parts .....	46
Anti Rattlers .....	54
Apparel .....	86-87
Arm Rest.....	59
Arm Rest Pad .....	59
Automatic Transmission .....	18
Axle Bearings .....	4
Axle Bumpers .....	9
Axle Pivot Bushing .....	10
Axle Seals .....	4

## B

Backup Light Bulb .....	85
Back Glass Mounting Kit .....	61
Back Glass Seal .....	61
Back Window Glass Lower Side Run.....	71
Back Window Rubber Seals.....	61
Ball Joint.....	8
Battery Hold Down .....	24
Battery Tray Related Parts .....	24
Bearing .....	1
Bearing Cup .....	1
Beauty Rings .....	3
Bed Side Lower Mouldings.....	79
Bed Side Mouldings .....	74, 77
Bed Side Nameplates.....	60
Bed Side Panel Front Lower Molding.....	79
Bed Side Panel Rear Lower Molding .....	79
Bed Top Side Rail Kit.....	70
Bellcrank Lever Rod .....	18
Belt Idler Pulley Assembly .....	16
Body Panels .....	61
Body Rear Corner Pillar Lower Molding .....	79
Body Side Moldings Pressure Sensitive - Regular Cab .....	74
Body Side Panel Seals.....	71

Body Side Upper Moldings With Vinyl Insert - Regular Cab .....	80
Body Side Upper Pressure Sensitive Moldings - Regulator & Supercab .....	74
Books .....	85
Brake Adjusting Hole Cover .....	5
Brake Adjusting Screw Spring .....	5
Brake Hardware Kit .....	5
Brake Hoses .....	6
Brake Light Switch.....	30
Brake Master Cylinder Push Rod Bushing ..	8
Brake Pads.....	4
Brake Parts.....	5
Brake Pedal Bushing .....	8
Brake Pedal Pad .....	8
Brake Retracting Spring .....	5
Brake Shoes .....	4
Brake Spring.....	5
Bronco Body Side Lower Mouldings .....	79
Bulbs .....	85
Bulb Retainer Ring .....	26
Bumper And Related Parts .....	43-44
Bumper Guard .....	43
Bumper Stickers .....	85
By-pass Hose .....	20

## C

Cable Lube .....	40
Cab Mouldings .....	76
Cab Rear Corner Lower Molding.....	79
Cab Side Nameplate .....	60
Cab To Frame Mounting Kit.....	13
Cap .....	84
Carburetor Air Cleaner .....	22
Cargo Lamp Kit .....	31
Cigar Knob .....	34
Cigar Lighter Parts .....	34
Cigar Socket.....	34
Clips - For Body Moldings .....	80
Clips For Upper Body Molding .....	80
Cluster Lens .....	25
Clutch & Brake Pedal Bumper.....	17
Clutch And Brake Pedal Related Parts.....	8
Clutch Fork .....	17
Clutch Master Cylinder Push Rod Bushing ..	8
Clutch Parts.....	17
Clutch Pedal Bushing .....	8
Clutch Pedal Pad.....	8
Clutch Release Lever .....	17
Clutch Release Lever Dust Boot .....	17
Coat Hanger Hook.....	61
Coil .....	25
Column Bearing.....	12

Column Gear Shift Selector Lever Socket..	18
Column Shift Knob .....	17
Column Shift Parts .....	17
Coolant Control .....	20
Coolant Temp Control.....	20
Cotter Pin .....	1
Counter Shaft .....	16
Cowl Lacing.....	48
Crankcase .....	16
Cylinder Head To Cylinder Block Dowel Set .....	16

**D**

Dash Panel Pad .....	48
Dash Register.....	44
Decals .....	61, 84-85
Differential Related Parts.....	13
Dimmer Switch .....	30
Dome Light.....	31
Door Edge Guard Moulding.....	53
Door Glass Anti-rattlers .....	54
Door Handles .....	58
Door Inside Trim Panels .....	59
Door Key .....	13
Door Latch Parts .....	56
Door Lock Knob.....	56
Door Lower Side Molding .....	79
Door Panel .....	59
Door Related Parts .....	56-57, 58-59
Door Seal .....	54
Door Side Moulding.....	76
Door Trim Panel .....	59
Door Window Regulator .....	58
Drain Plug & Gasket.....	16
Drive Gears Speedometer.....	40
Drive Pinion Seal.....	13

**E**

Edge Guard Moulding .....	53
Emblems	
<i>Bed Side Nameplates</i> .....	60
<i>Cab Side Nameplates</i> .....	60
<i>Front Fender</i> .....	38-39
<i>Grille</i> .....	19
<i>Hood Letters</i> .....	36
<i>Instrument Panel</i> .....	49
Emission Decals .....	85
Engine Compartment Decals .....	84
Engine Lamp .....	34
Evaporator Core .....	45
Exhaust Deflectors .....	46
Exhaust Gas Recirculation Valve .....	22

**F**

Fan Clutch .....	21
Fan Shroud.....	20, 21
Fenders .....	36
Fender Apron.....	36
Fender Ornament .....	38
Floor Mat .....	52
Floor Pans .....	52
Floor Shift Lever Knob.....	18
Flywheel .....	16
Frame Mounting Kit .....	13
Front Axle Bumper.....	9
Front Axle Pivot Bushing .....	10
Front Brake Hose .....	6
Front Bumper And Related Parts .....	43
Front Fender.....	36
Front Fender Ornament.....	38
Front Fender Side Marker Light .....	34
Front Fender Side Molding.....	75
Front Fender Side Name Plates.....	38, 39
Front Floor Rubber Mat .....	52
Front Hub .....	1
Front Of Hood Letters.....	36
Front Radius Rod Bushing .....	10
Front Seat Back Pivot Side Cover.....	72
Front Stabilizer Bar.....	13
Front Suspension .....	10-11
Front Suspension Bushings .....	10
Front Wheel.....	1
Fuel Enrichment Valve.....	22
Fuel Pump .....	22
Fuel Tank Related.....	21
Fuel Tank Sending Unit .....	21
Fuel Valves .....	22

**G**

Garnish Molding .....	48
Gas Cap .....	21
Gas Filler Door Bumper.....	21
Gas Preservative .....	21
Gas Recirculation Valve .....	22
Gas Tank Related Parts.....	21
Gas Tank Sending Unit.....	21
Gear Lever Socket .....	18
Gear Shift Socket .....	17
Glass Anti-rattlers .....	54
Glass Run.....	54
Glass Tape.....	54
Glove Box And Related Parts .....	52
Glove Box Key.....	13
Glue .....	46
Golf Shirts.....	86-87

Grille And Related Parts .....	18, 19
Grille Emblem .....	19
Grille Moulding .....	19

**H**

Hanger Hook .....	61
Hats .....	84
Headlamp Bulb .....	85
Headlamp Door Shield .....	26
Headlight Bulb .....	26
Headlight Dimmer Switch .....	30
Headlight Door .....	26
Headlight Knob .....	25
Headlight Related Part .....	26
Headlight Switch .....	25
Headlight Switch Nut .....	25
Headlight Switch Related Parts .....	25
Heater .....	44
Heater Blower Switch .....	45
Heater Core .....	45
Heater Hose .....	44
Heater Hose Clamp .....	19, 44
Heater Related Parts .....	44, 45
Hood .....	37
Hood Bumper .....	37
Hood Hinge .....	37
Hood Latch Assembly .....	37
Hood Letters .....	36
Hood Letters "ford" .....	36
Hood Ornament .....	37
Hood Related Parts .....	37
Hood Release Handle & Cable .....	37
Hood Support .....	37
Horn Bar Switch & Pad .....	32
Horn Button .....	33
Horn Button Emblem .....	12
Horn Pad .....	32
Horn Related Parts .....	32, 33
Horn Relay .....	34
Hose Clamps .....	19
Hub .....	1
Hub Bearing .....	1
Hub Bolt .....	1
Hub Cap .....	2
Hub Cap Center Emblem .....	3
Hub Dust Cap .....	1

**I**

Idler Pulley .....	16
Ignition .....	13
Ignition Coil .....	25
Ignition Cylinder .....	25

Ignition Key Assembly .....	25
Ignition Switch And Related Parts .....	25
Inner Fender Apron .....	36
Inner Hub Bearing .....	1
Input Shaft Seal Kit .....	12
Inside Door Handle .....	58
Inside Rear View Mirror .....	42
Instrument Cluster .....	25, 50
Instrument Cluster Back Plate .....	25
Instrument Cluster Bulb Socket .....	30
Instrument Cluster Opening Finish Panels .....	50, 51
Instrument Cluster Related Parts .....	25
Instrument Cluster Voltage Regulator .....	25
Instrument Panel .....	25
Instrument Panel Cover .....	49
Instrument Panel Fuel Gauge .....	22
Instrument Panel Lower Finish Panel .....	50
Instrument Panel Name Plate .....	49
Instrument Panel Temperature Gauge .....	25
Interior Decals .....	85

**J**

Jack Assembly .....	40
Jack Instructions Decals .....	85

**K**

Key Blanks .....	13
Key Chain .....	84

**L**

Latch Assembly - Door .....	56
License Plate .....	30
License Plate Bolt .....	84
License Plate Light Assembly .....	30
Lift Channel .....	54
Lighter Kit .....	34
Light Bulbs .....	85
Locking Hubs Notice Decal .....	85
Lock Control Assy. .....	56
Lock Knob .....	56
Lower Column Bearing .....	12
Lug Nut .....	1

**M**

Magnetic Signs .....	84
Manual Transmission Related Parts .....	16
Master Cylinder .....	7
Master Cylinder Assembly .....	7
Master Cylinder Repair Kits .....	7
Mirrors .....	42
Mouldings .....	74-81

**N**

Name Plates .....	38, 39
<i>Bed Side</i> .....	60
<i>Cab Side</i> .....	60
<i>Fender</i> .....	38
<i>Instrument Panel</i> .....	49
<i>Tailgate</i> .....	64
Nut .....	1

**O**

Oil Filler Cap To Elbow Grommet .....	16
Oil Filters .....	16
Oil Pan.....	16
Oil Pan Drain Plug.....	16
Oil Pressure Gauge.....	22
Oil Pressure Gauge And Sending Unit.....	22
Oil Pressure Sending Unit.....	22
Oil Pump Assembly .....	16
Ornament	
<i>Fender</i> .....	38
<i>Hood</i> .....	37
Outer Hub Bearing .....	1
Outside Door Handle .....	58
Outside Rear View Mirror .....	42

**P**

Parking Brake.....	8
Parking Brake Pedal Pad .....	8
Parking Brake Related Parts .....	8
Parklight Assembly .....	26
Pickup Bed Tie Down Hooks .....	70
Pinion Seal .....	13
Pinion Set.....	13
Power Steering Gear Box Seal Kit .....	12

**Q**

Quarter Panel Lower Front Molding .....	79
Quarter Panel Lower Rear Molding.....	79
Quarter Panel Molding Lower.....	79
Quarter Panel Molding Lower Front .....	79
Quarter Panel Moulding .....	77

**R**

Radiator Cap .....	18
Radiator Grille .....	18
Radiator Hoses.....	19
Radiator Mount.....	18
Radiator Mount Insulator .....	18
Radiator Parts .....	18
Radiator Recovery Tank .....	18

Radio Antenna.....	46
Radio Cover .....	49
Radio Knobs.....	46
Radius Rod Bushing.....	10
Radius Support Arms .....	10
Rear Axle Bearing .....	4
Rear Axle Bumper .....	9
Rear Axle Seal.....	4
Rear Brake .....	5
Rear Brake Hose.....	6
Rear Brake Retracting Spring .....	5
Rear Bumper And Related Parts .....	44
Rear Corner Of Door Molding	
Behind Handle.....	76
Rear Lamp.....	29
Rear Stabilizer Bar .....	13
Rear View Mirrors.....	42
Rear View Mirror Outside .....	42
Rear Wheel Cylinder Assembly .....	6
Rear Wheel Opening Splash Shields .....	60
Rear Window Seals.....	61
Removable Roof Panel Seals .....	71, 72
Reservoir Recovery Tank .....	18
Ring Gear .....	13
Ront Stabilizer Bar .....	13
Roof Side Inner Rear Seal .....	72
Rotor .....	1
Rotor Assy .....	1
Rotor Seal .....	1
Running Boards.....	36

**S**

Scuff Plates .....	53
Seat Back Pivot Side Cover .....	72
Seat Belt Window Decal .....	85
Seat Parts.....	72
Sector Shaft Seal Kit .....	12
Shift Lever Boots .....	17
Shift Lever Knob.....	17, 18
Shift Selector Lever Socket.....	18
Shirts .....	86-87
Shock Absorbers .....	44
Shroud - Fan .....	20
Side Marker Light .....	34
Signs .....	84
Spare Tire Bolt.....	4
Spare Tire Wheel Bolt .....	4
Speedometer Assembly .....	40
Speedometer Cable .....	41
Speedometer Cable And Drive Gear .....	40
Speedometer Cable And Housing .....	41
Speedometer Gear.....	40
Speedometer Head Assy.....	40

Speed Control Cable .....	24
Splash Shields.....	60
Stabilizer Bar .....	13
Stabilizer Bar Bushing .....	13
Stabilizer Bar Link .....	13
Starter Solenoid.....	25
Steering Column Bearing .....	12
Steering Column Related Parts.....	12
Steering Gear Box Seal Kit .....	12
Steering Wheel.....	12
Steering Wheel Restoration Book .....	85
Stools 82	
Striker Plate .....	56
Stripe Kits .....	53
Style Side Pickup Tailgate Related Parts ...	68
Sunvisor .....	48

**T**

Tailgates .....	65
Tailgate Chain.....	67
Tailgate Finish Panel W/ Ford Letters .....	64
Tailgate Hinge.....	68
Tailgate Latch .....	68
Tailgate Moulding .....	77
Tailgate Parts.....	67-69
Tailgate Release Handle Assembly .....	68
Tailgate Scuff Plate.....	68
Tailgate Upper Molding.....	77
Taillights Pigtail.....	28
Taillight Assembly .....	29
Taillight Related Parts.....	29
Tail Light Lens .....	29
Tank Slushing Compound .....	21
Tape Strip Kits .....	53
Temperature Control Cable .....	45
Temperature Gauge .....	25
Temperature Sender.....	25
Thermostats .....	20
Thermostat Housing Gaskets.....	20
Tie Down Hooks .....	70
Tilt Column Transmission	
Control Selector Dial Housing .....	18
Transfer Case Parts .....	17
Transmission	
Automatic.....	18
Manual .....	16
Transmission Control Selector Indicator.....	18
Trim Ring .....	3
Turn Signal Bulb.....	85
Turn Signal Switch.....	28

**U**

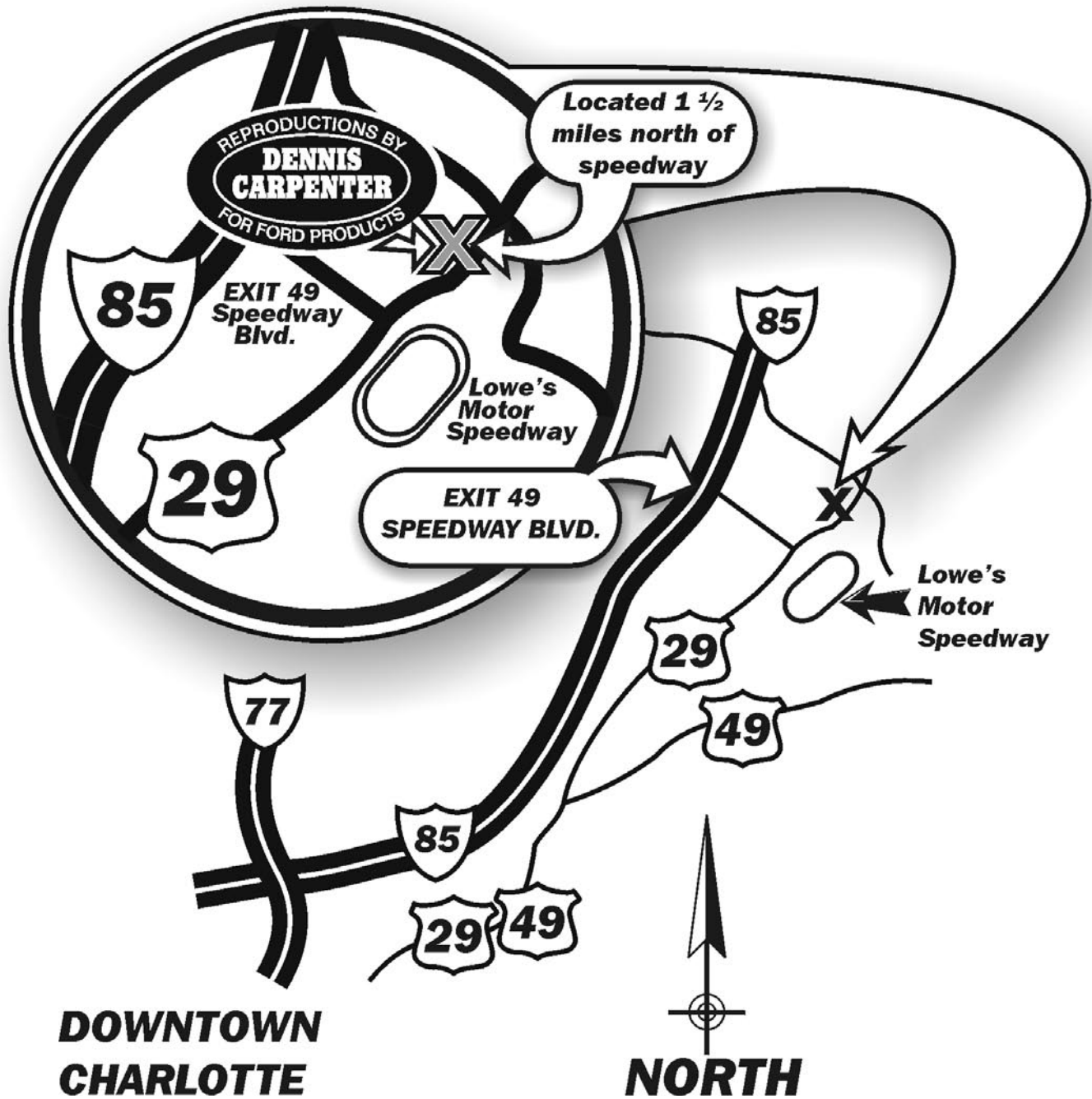
Upper Ball Joint .....	8
Upper Cab Corner Moulding .....	76
Upper Column Bearing.....	12
Upper Door Rear Cab Corner Molding .....	76
Upper Radiator Hose.....	19

**V**

Vacuum Control Motor A/c.....	45
Valve Stem Extension.....	1
Vent Shades .....	44
Vent Window Frame .....	54
Vent Window Handle .....	54
Vent Window Parts .....	54
Vent Window Seal .....	54
Vibration Damper.....	16

**W**

Washer Switch.....	41
Water By-pass Hose.....	20
Water Pumps.....	19
Weatherstrip Glue.....	46
Wheel Cylinder .....	6
Wheel Cylinder Assembly.....	6
Wheel Cylinder Assembly - Rear.....	6
Wheel Cylinder Repair Kits .....	6
Wheel Opening Mouldings .....	81
Wheel Trim Ring.....	3
Window Crank Handle.....	58
Window Price Sticker .....	85
Window Regulator .....	58
Window Rubber Seals	
Back .....	61
Window Vent Shades .....	44
Windshield Garnish .....	48
Windshield Molding Set.....	48
Windshield Wiper .....	41
Windshield Wiper Pivot .....	41
Windshield Wiper Reservoir .....	41
Wiper Arm.....	41
Wiper Blade.....	41
Wiper Governor .....	41
Wiper Pivot.....	41
Wiper Reservoir Pump .....	41
Wiper Switch Control Knob .....	41
Wiper Switch Knob .....	41
Wire Pigtail .....	28





**CUSTOMER INFORMATION:**

Name: \_\_\_\_\_  
 Address: \_\_\_\_\_  
 \_\_\_\_\_  
 City: \_\_\_\_\_ State: \_\_\_\_\_ Zip Code: \_\_\_\_\_  
 E-MAIL \_\_\_\_\_  
 (Please provide your email address if available, VERY IMPORTANT outside of the USA.)

Customer Number: \_\_\_\_\_  
 Catalog Publish Date: \_\_\_\_\_  
 (Found on front cover)

**VEHICLE INFORMATION:**  
 CAR    TRUCK    TRACTOR    SCOOTER  
 BODY STYLE \_\_\_\_\_ YEAR \_\_\_\_\_

**SHIP TO:** (If different from Bill To: address)

Name: \_\_\_\_\_  
 Address: \_\_\_\_\_  
 \_\_\_\_\_  
 City: \_\_\_\_\_ State: \_\_\_\_\_ Zip Code: \_\_\_\_\_

**(REQUIRED) DAYTIME PHONE:**

Work (   ) \_\_\_\_\_  
 Home (   ) \_\_\_\_\_  
 FAX \_\_\_\_\_  
 (In case we need to call about your order  
 - Can **NOT** Ship Internationally Without Number.)



*Call Toll-Free*  
**For Part # Orders ONLY: 1-800-476-9653**  
**Tech Assisted Orders: 1-704-786-8139**  
**FAX Your Order: 1-704-786-8180**

Mon. thru Fri. 8:00 AM to 5:00 PM, Sat. 9:00 AM to 12:00 PM  
 4140 Concord Parkway S. Concord, NC 28027  
 Order Parts & Catalogs online at: [www.dennis-carpenter.com](http://www.dennis-carpenter.com)

**Payment Method - Please Indicate Your Choice**

Personal Check    MasterCard    Discover  
 Cashier's Check    Visa  
 Money Order    Amex (Must have your address as shown on statements)

**Account Number:**  
 \_\_\_\_\_  
 \_\_\_\_\_

Expiration Date: \_\_\_\_\_  
 Verification Number: \_\_\_\_\_  
 (Orders will NOT be processed without Verification Number)

*Last 3 digits in signature strip on back, right of card  
 4 digits on front for AMEX (Small, printed together).*

Name (please print) \_\_\_\_\_  
 Signature \_\_\_\_\_

QTY	PART NUMBER	DESCRIPTION	UNIT PRICE	TOTAL PRICE

**Thanks for shopping with Dennis Carpenter!**

**OVER**  
 (Be sure to check this box if you have items listed on the reverse side)

<b>SUBTOTAL</b>	
Enter TOTAL from other side	
<b>TAX:</b> N.C. Residents Only 7% Sales Tax	
<b>SHIPPING:</b> \$8.00 minimum See Shipping Information Page for details.	
<b>INSURANCE:</b> \$.50 per \$100.00 purchase. (Added to every order)	
<b>GRAND TOTAL</b>	

<b>QTY</b>	<b>PART NUMBER</b>	<b>DESCRIPTION</b>	<b>UNIT PRICE</b>	<b>TOTAL PRICE</b>

**TOTAL**  
Enter TOTAL on  
Front Side.

**Merchandise Return:**

Please inspect the merchandise upon arrival. Returns within 30 days of shipping date are acceptable. After 30 days a 20% restocking charge will be applied. After six months a 50% restocking charge will be applied. For no reason will merchandise be accepted after one year. All returned merchandise must be accompanied by a copy of the invoice, a merchandise return authorization form included with your order and a return authorization number.

**Damage Claims:**

All claims must be taken up with Dennis Carpenter Reproductions within 7 days of receipt. Please keep merchandise in the original carton for the carrier to inspect. No claims accepted after 15 days.

**Don't forget to order a FORD catalog. All catalogs free with orders.**

- 32-48 Car
- 32-47 Truck
- 49-51 Car
- 48-56 Truck
- 52-56 Car
- 57-66 Truck & 61-67 Econoline
- 57-59 Car  
58-60 Edsel
- 67-79 Truck
- 55-66 Thunderbird
- 80-89 Truck
- 60-64 Galaxie
- 66-79 Bronco
- 65-72 Galaxie
- 39-54 Ford Tractor
- 60-66 Falcon
- 36-66 Cushman
- 62-79 Fairlane