

2009
WWW.DENNIS-CARPENTER.COM

SHOP ONLINE

FORD
TRUCK **67-79**



1 1/2 Miles N. of
LOWE'S Motor Speedway
4140 Concord Parkway S.
Concord, N.C. 28027

Weather Stripping • Sheet Metal • Molded Rubber & Plastics • Trim Parts

and
78-79 Bronco
pg. 120

FREE DELIVERY



Place your order in advance and we'll deliver your parts to you for free!

IT'S EASY

Here's the opportunity to eliminate the shipping fees from your next Dennis Carpenter parts purchase. Plan to attend one of the auto shows listed below and we'll bring the parts that you buy to the show. Come to our site and pick up your parts. It's that easy. This offer is especially cost effective on oversized parts purchases. Take advantage of this savings offer and order your parts in advance today! A little planning now can save you big money later.

HOW TO PLACE FREE DELIVERY ORDERS

To receive the free delivery offer you must place your order with us at least 7 days in advance of the event that you plan to meet with us. When you order, inform our staff which show you will attend and on which day so that your order can be processed and invoiced. Payment in full of the purchase is required when ordering. When you arrive at our show site, tell us your name and what you ordered and we'll hand you your parts. It's that simple! **Get your part numbers ready and call us toll free today!**

Place your order Today **TOLL FREE**
1-800-476-9653

Monday-Friday 8am to 5pm (EST)
 Saturday 9am to 12pm



Dennis Carpenter attends the following shows in 2009

SHOW	SHOW DATE	FINAL ORDER DATE FOR FREE DELIVERY
PATE SWAP MEET Fort Worth, TX.....	April 30-May 3.....	April 17
MANSFIELD 50TH SWAP MEET Mansfield, MA.....	May 9-10.....	May 1
F100 SUPERNATIONALS Knoxville, TN.....	May 14-16.....	May 8
SPRINGFIELD SWAP MEET Springfield, OH.....	May 22-24.....	May 15
ALL FORD NATIONALS Carlisle, PA.....	June 5-6.....	May 29
GOODGUYS COLORADO Loveland, CO.....	June 5-7.....	DELIVERY UNAVAILABLE
CUSHMAN NATIONALS Charlotte, NC.....	June 15-18.....	June 10
BACK TO THE 50's St Pau, MN.....	June 19-20.....	June 12
F100 WESTERN NATIONALS Anaheim, CA.....	June 19-20.....	DELIVERY UNAVAILABLE
LA ROADSTER SHOW Pomona, CA.....	June 19-21.....	DELIVERY UNAVAILABLE
ROCKY MNT STREET ROD NATS Pueblo, CO.....	June 26-28.....	DELIVERY UNAVAILABLE
GOODGUYS HEARTLAND NATS Des Moines, IA.....	July 3-4.....	DELIVERY UNAVAILABLE
OLD THRESHERS REUNION Denton, NC.....	June 30-July 4.....	June 25
IOALA OLD CAR SWAP MEET Iola, WI.....	July 10-11.....	DELIVERY UNAVAILABLE
VINTAGE MOTOR BIKE MEET Portland, IN.....	July 13-16.....	July 9
RIGHT COAST NATIONALS Syracuse, NY.....	July 17-18.....	July 10
NSRA STREET ROD NATIONALS Louisville, KY.....	Aug 6-9.....	July 31
OZARK ANTIQUE SWAP MEET Springfield, MO.....	Aug 21-23.....	Aug 14
FROG FOLLIES Evansville, IN.....	Aug 28-30.....	Aug 14
TRI-STATE TRACTOR Portland, IN.....	Aug 26-29.....	Aug 21
NSRA RICHMOND NATIONALS Richmond, VA.....	Aug 28-30.....	Aug 21
LEAD EAST Parsippany, NY.....	Sept 4-5.....	Aug 21
FALL AUTOFAIR Charlotte, NC.....	Sept 10-12.....	Sept 5
SHADES OF THE PAST Pigeon Forge, TN.....	Sept 11-12.....	Sept 4
FORD/FORDSON ANNUAL MEET Union Grove, WI.....	Sept 18-19.....	Sept 11
NSRA NORTH EAST NATIONALS Burlington, VT.....	Sept 18-20.....	Sept 11
GREAT AMERICAN NATIONALS Pocono, PA.....	Sept 25-27.....	Sept 11
SMOKEY MOUNTAINS AUTOFEST Kodak, TN.....	Sept 24-26.....	Sept 18
FALL CARLISLE SWAP MEET Carlisle, PA.....	Oct 1-3.....	Sept 25
GOODGUYS LONE STAR NATS Fort Worth, TX.....	Oct 2-4.....	Sept 25
CRUISIN THE COAST Biloxi, MS.....	Oct 8-10.....	Sept 25
FALL HERSHEY SWAP MEET Hershey, PA.....	Oct 7-10.....	Sept 25
GOODGUYS NOSTALAGIA NATS Bowling Green, KY.....	Oct 16-18.....	Oct 9
MOONSHINE FESTIVAL Dawsonville, GA.....	Oct 23-24.....	Oct 16
GOODGUYS SOUTHEAST NATS Charlotte, NC.....	Oct 30-31.....	Oct 30
SEMA SHOW Las Vegas, NV.....	Nov 3-6.....	DELIVERY UNAVAILABLE
GOODGUYS AUTUMN NATIONALS Pleasanton, CA.....	Nov 14-15.....	DELIVERY UNAVAILABLE
GOODGUYS SOUTHWEST NATS Scottsdale, AZ.....	Nov 20-22.....	DELIVERY UNAVAILABLE
FALL MOULTRIE SWAP Moultrie, GA.....	Nov 20-21.....	Nov 13
ALL FORD SWAP Columbus, OH.....	Nov 28-29.....	Nov 20

General Information

Dennis Carpenter Reproductions is a manufacturer and seller of Ford restoration parts. All of the parts in this catalog, with the exception of new old stock Ford parts, are reproduction or equivalent replacement type parts of Ford Motor Company parts and are represented or referenced by original Ford part numbers.

Office Hours (Eastern Time):

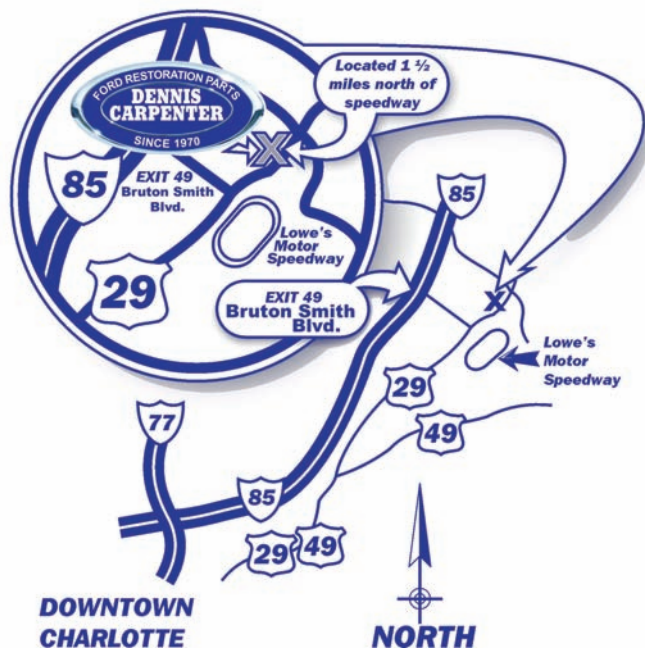
Monday through Friday 8:00 am - 5:00pm

Saturday 9:00am - 12 noon

We are closed the following holidays: New Year's Day, Memorial Day, July 4th, Labor Day, Thanksgiving Day, and Christmas Day. (If the holiday falls on Saturday, Friday will be taken. If the holiday falls on Sunday, Monday will be taken.)

Return Address:

4140 Concord Parkway, S.
Concord, North Carolina 28027



This catalog supersedes all previous editions, including prices. Due to supplier price increases and decreases **PRICES ARE SUBJECT TO CHANGE WITHOUT NOTICE.**

All rights reserved. No part of this publication may be copied, reproduced, stored in any retrieval system, communicated or transmitted in any form by any means without prior approval.

Carpenter Industries Inc.

Order a CATALOG:

Dennis Carpenter has over 17 catalogs to order from. To get a free catalog simply call us at

1-800-476-9653

Catalogs are sent bulk mail and may take 2 to 3 weeks for delivery.

Catalogs can also be ordered over our website. If you'd like a catalog sooner we can mail you one 1st class for only \$3 plus postage.

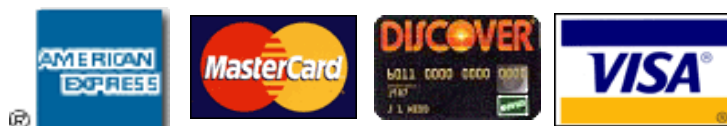


Customer Number

When you order with us for the first time you're assigned a customer number. This helps us easily keep track of your order. If you have one of our catalogs you can write down your customer number for easy reference in the bottom corner of the front cover of our catalog.

Payment

Although personal checks are welcome, expect a two week delay in shipping to allow the check to clear the bank. Money orders, bank certified checks, Discover, MasterCard, Visa, and American Express may also be used. No C.O.D.'s.



Due to supplier price increases and decreases, **PRICES ARE SUBJECT TO CHANGE WITHOUT NOTICE.**

Due to carrier rate increases shipping costs are subject to change without notice.

**Thank you for shopping with
Dennis Carpenter!**



How to Order

There are a number of convenient ways for you to order your parts from Dennis Carpenter Ford Reproductions. We have skilled operators waiting every day to take your order by phone. You can also send your order by fax, mail or go online. See all the details below for each of the ordering methods.



***We're
waiting
to take
your
order!!***

Phone

1-800-476-9653
Orders Only (Toll Free)



Our Phone Representatives are at your service Monday through Friday 8am 'til 5pm. Please have your customer number ready and all part numbers if calling on the toll free number.

Web

www.dennis-carpenter.com



If you have a computer and the internet jump online and visit us. There's tons of information on our website and we offer secure online ordering. Come see us today.

Fax

704-786-8180



Fax your completed order form along with year, make and model of the vehicle you are ordering for and your credit card information including the last 3 digits in signature strip on back, right of card, 4 digits on front for AMEX (small, printed together). Be sure to include a daytime phone number (including area code).

Mail



Please list year, make and model of vehicle for which you are ordering, complete part numbers, and description. Include daytime telephone number (including area code). Provide complete address with street name and house number. Mail to the mailing address below. If ordering with credit card please include the last 3 digits in signature strip on back, right of card, 4 digits on front for AMEX (small, printed together).

Thank you for shopping with Dennis Carpenter!



To get decisive answers to your parts questions call the

Dennis Carpenter HELP LINE



Ordering the right parts the first time is essential to completing a successful and satisfying restoration. At Dennis Carpenter Reproductions we understand that this seemingly simple procedure can sometimes be challenging and we have just the group to help you through the process.

If you have concerns or questions about whether you are ordering the right parts for your Ford's restoration, a call to our Help Team will get you some decisive answers.

CARPENTER SHOWROOM



Be sure to visit our retail showroom in Concord, North Carolina, where you can purchase parts or browse our parts displays. We are located just 1 1/2 miles from LOWE'S Motor Speedway.

Using the Catalog

Below is an example of a listing in our catalog. It is broken up into separate columns to help you find the parts you need. In the first column is the original Ford part number. This is the number to use when ordering a part.

The second column contains a letter that corresponds to the letter found next to a part photo or illustration. This allows you to easily find and connect the part information to a picture.

In the third column is the model that the product fits followed by the year and the always competitive Dennis Carpenter price.

EXAMPLE LISTING

PART #	PIC	DESCRIPTION	MODEL	YEAR	PRICE
B9A-13532-A	(B)	Headlight Dimmer Switch	F100-350 Bronco	67-79 78-79	11.00 ea.
C5ZZ-13533	(C)	Headlight Dimmer Switch Rubber Cover	ALL		4.00 ea.



Merchandise Returns:

Please inspect the merchandise upon arrival. Returns within 30 days of shipping date are acceptable. After 30 days a 20% restocking charge will be applied. After six months a 50% restocking charge will be applied. For no reason will merchandise be accepted after one year. All returned merchandise must be accompanied by a copy of the invoice, a merchandise return authorization form included with your order and a return authorization number. Failure to have a return authorization will result in a delay and your item will be held until we can process the claim. Please call 1-800-476-9653 for a return authorization number.

Claims:

All claims must be taken up with Dennis Carpenter Reproductions. Please inspect the merchandise upon receipt. If damage is found, contact our customer service dept. within 7 days. Please keep merchandise in the original carton for the carrier to inspect. No claims accepted after 15 days.

Electrical Items:

**ALL ELECTRICAL ITEMS ARE
NON-RETURNABLE**

ALL SALES ARE FINAL.

This includes Starters, Distributors, Distributor Caps, Coils, Points, Switches, Spark Plugs, Fuses, Light Bulbs, Wiper Motors & Pumps, and all Wiring Harnesses & Connectors.

Carburetor Returns:

Our carburetors are built to factory specifications and are in proper working condition when they leave our facility. During installation, be sure not to strip threads at any connections. Be sure there is no water or debris in the gasoline. Do not attempt to disassemble the carburetor or make any repairs. If you suspect the carburetor is defective call our CUSTOMER SERVICE DEPT @ 1-800-476-9653, OPTION 2 and request a Return Authorization Number.

Place the item back in the original packaging and return to Carpenter Industries via UPS GROUND only. When received back, we will test for any defective or damaged areas. If found to be defective, we will replace or issue a full refund, including return shipping. If the carburetor has been damaged during installation, no refund will be given and the carburetor will be returned to the customer at the customer's expense.

Warranty

We guarantee to replace or at our option, repair any product or parts which are found to be defective in material or workmanship within one year from the date of shipment. Our obligation with respect to such products or parts shall be limited to replacement or repair and in no event shall we be liable for consequential or special damages, or for transportation, installation, adjustment, or other expenses which may arise in connection with such products or parts. THIS WARRANTY EXPRESSLY MADE IN LIEU OF ANY AND ALL OTHER WARRANTIES EXPRESSED OR IMPLIED INCLUDING THE WARRANTIES OF MERCHANTABILITY AND FITNESS.



Additional Handling Charges

The chart above reflects shipping charges based on standard size items. Please allow an additional \$20.00 for individual items over 60" in length or odd shaped and bulky items (for example: bed strips, bumpers, and exhaust pipes). Allow an additional \$40.00 or heavy or large items such as tailgates, grille shells, bedwood kits, floor pans, and firewall covers. Extremely large or heavy items such as fenders, fender aprons, doors, truck headliners, scooter bodies and frames will require a \$50.00 - \$80.00 handling fee. (These items are sometimes shipped by a freight truck, freight collect to your door, depending on your city and state.)

Dimensional Weight

Even though a box only weighs 10 lbs., it may be necessary to ship it as a 30 lbs, or more, package depending on the overall size of the box. This is a requirement of the parcel carriers.

Next Day Air Service

Next Day Air Service is available.

Domestic Ground Shipments

Our preferred carriers are FedEx and UPS. We will make an exception to ship by the US Postal Service for orders valued under \$100.00, size allowing. Tracking numbers are not available for postal service orders. Parts orders being shipped by the postal service will not leave our facility until the following Thursday. Minimum shipping charge is \$10.00, regardless of shipping method.

International Shipments

Please call or email for shipping estimates on international shipments.

For all Canada orders shipping by UPS Ground and valued under \$1500.00 (USD), duties, taxes, and customs fees are calculated @ 24% of the parts order value and then added to the order total along with the shipping, insurance, and handling charges. For all Canada orders valued at \$1500.00 (USD) & up and shipping by UPS Ground, duties, taxes, and customs fees will be collected from you by the carrier and only the shipping, insurance, and handling charges will be added to the order total. If shipping by the U.S Postal Service or any air service to Canada, only the shipping, insurance, and handling charges will be added to the order total, regardless of value.

For all other countries, the shipping, insurance, and handling charges will be added to the order total. Duties, taxes, and customs fees will be collected by the carrier at time of delivery.

Our preferred carriers are FedEx and UPS. We will make an exception to ship by the US Postal Service for orders valued under \$100.00 (USD), size allowing. Tracking numbers are not available for postal service orders. Please allow 30-45 days for delivery of orders by the postal service. No surface mail. Parts orders being shipped by the postal service will not leave our facility until the following Thursday.

Orders are shipped by our preferred carriers. Special services are available for an additional charge.

Please call for estimates on shipping charges for International Shipments.

Estimated Shipping Rates, Handling Charges and Special Services

Regardless of the size or value of the order, our minimum shipping and handling charge is \$10.00 plus \$.50 insurance. Please review the chart below for rate ESTIMATES.

<u>Value</u>	<u>Rate</u>
\$0.01 - \$99.99.....	\$10.00*
\$100.00 - \$199.99....	\$13.00*
\$200.00 - \$299.99....	\$18.00*
\$300.00 - \$399.99....	\$21.00*
\$400.00 - \$499.99....	\$24.00*
\$500.00 - \$599.99....	\$27.00*
\$600.00 - \$699.99....	\$30.00*
\$700.00 - \$799.99....	\$33.00*
\$800.00 - \$899.99....	\$36.00*
\$900.00 - \$999.99....	\$39.00*

* Above rates include insurance & handling. Rates on values of 200.00 & up are approximate. The actual carrier charges plus insurance & handling will be applied.

\$1,000.00 - \$1,999.99:

Add 3% of the order value for shipping plus \$.50 per \$100.00 of order value for insurance = rate ESTIMATE

\$2,000.00 - \$3,499.99:

Add 2.5% of the order value for shipping plus \$.50 per \$100.00 of order value for insurance = rate ESTIMATE

\$3,500.00 and up:

Add 2% of the order value for shipping plus \$.50 per \$100.00 of order value for insurance = rate ESTIMATE

*(Additional charges may apply.
Read Additional Handling Charges
& Dimensional Weight Charges at left)*

What does it mean? *In short, it means Ford parts made EXACTLY like originals*

ORIGINAL TOOLING describes the stamping dies, injection molds, roller dies and other tools of mass production that the Ford Motor Company used to manufacture the parts necessary to assemble their car and trucks. (See ORIGINAL TOOLING below.)



FORD Logo - A most important logo assuring customers of the true origin and authenticity of the classic parts produced from this program. They're also the company responsible for making the tooling in the first place.

0 0 0 1 - These numbers identify Dennis Carpenter Ford Reproductions as the first member of a select group to manufacture parts off original tooling, parts which comply with quality standards established by Dennis Carpenter and the Ford Motor Company. What this means is that we've dusted off certain tooling and started using them again, continuing to make quality parts as good or better than the Ford originals.

ORIGINAL TOOLING in ACTION!

Below a piece of .038 sheet steel has just been pulled from the first stage of a 6 stage stamping process which will ultimately produce 1961-66 Ford Truck headlight bezels.

At left, a final stamping stage bezel rests in the bottom half of the two piece forming die.



MADE ON
The ORIGINAL Ford Dies



1961-66 F100/700 HEADLIGHT BEZEL

Our stamped steel headlight bezels are shaped EXACTLY as the Ford originals and are available as unpainted steel or as shown above, dipped in our trademark triple chrome plating. A pair of chrome headlight bezels (left & right) are part #C1TZ-13064-PR.

Why does Dennis Carpenter make some parts overseas?

The cost to manufacture in America is very high and our prices would have to triple in many cases. With a lot of our parts, we reached a point where we could no longer make them in the USA and still maintain competitive pricing. We were actually losing money on some items and barely making a profit on many others. The only way to continue offering these items at a reasonable price was to make them overseas. Also, we get a lot of requests for items that are not available for Ford restoration. The sales of these parts are sometimes very low and to make tooling in the US is very expensive. After doing our research, we find that the only way to make such items available is to have them made overseas. This is not a choice. It is necessary if we want to stay in business.

All of the parts in this catalog, with the exception of new old stock Ford parts, are reproduction or equivalent replacement type parts of Ford Motor Company parts and are represented or referenced by original Ford part numbers.



Reproduction Ford parts made from obsolete Ford tooling that are licensed by but not manufactured by Ford are identified as Classic Parts From Original Tooling.



A reproduction part that duplicates a Ford licensed by but not manufactured by Ford is identified as an Official Licensed Product.

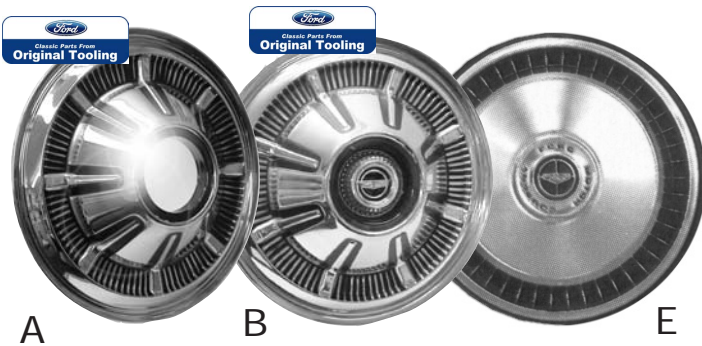


HUB CAPS

1967-79 Truck
Quality Ford Restoration Parts

HUB CAPS - FULL

PART #	PIC	DESCRIPTION	MODEL	YEAR	PRICE
C7TZ-1130-H	(A)	- 15" Front - Stainless Steel - Open center, for 4WD - w/ plastic center ring	F100/150	67-77	95.00 ea.
C6AZ-1130-G	(B)	- individual	F100/150	66-69	95.00 ea.
C6AZ-1130-SET	(B)	- set of (4)	F100/150	66-69	380.00 set
Hub Cap - 2 W/D					
D5TZ-1130-A	(C)	- Metal & Plastic	F100/150	71-76	150.00 ea.
D5TZ-1130-P	(D)	- Plastic Cover Only w/screws - fits 77-86 F100-150 2WD	F100/150	71-76	80.00 ea.
D6TZ-1130-A	(E)	- 15 1/8" Dia. - Ford crest in center - embossed "FORD"	F100/150	76-78	65.00 ea.



A

B

E



C



D

HUB CAPS

PART #	PIC	DESCRIPTION	MODEL	YEAR	PRICE
D7TZ-1130-A	(F)	- 10 13/16" - 2 W/D - Front & Rear - 4 W/D - Rear	F100/150	78-79	50.00 ea.



F

Stamping F100 Hub Caps

at Carpenter Industries



HUB CAP EMBLEMS

PART #	PIC	DESCRIPTION	MODEL	YEAR	PRICE
C6AZ-1141-A	(G)	- Red Plastic - for C6AZ-1130-G	F100/150	66-77	40.00 ea.
D1AZ-1141-A	(H)	- Black Plastic w/ Silver & Gold Crown	F100	71-75	40.00 ea.
C7TZ-1141-H	(I)	- 4WD - Front - Red - For C7TZ-1130-H - comes with Hub Cap	F-100	67-72	40.00 ea.



Quality Assured Parts

Made in USA



G



H



I

VALVE STEM EXTENSION

PART #	PIC	DESCRIPTION	YEAR	PRICE
8A-1705	(J)	Plastic Valve Stem Extension -3/4" Long, Set of (4)	ALL	1.00 set



J

HUB DUST CAPS

PART #	PIC	DESCRIPTION	MODEL	YEAR	PRICE
B5A-1131-A		<u>Front Hub Dust Cap</u> - 1-25/32" O.D.	F-100	67-68	5.00 ea.
LF-1131-A	(A)	- 1-31/32" O.D.	F-100	68-79	3.50 ea.
LF-1131-A	(A)	- 1-31/32" O.D.	F-250	65-79	3.50 ea.

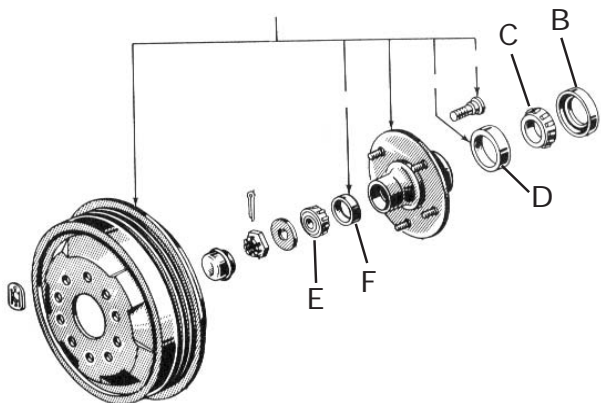


FRONT WHEEL SEALS

PART #	PIC	DESCRIPTION	MODEL	YEAR	PRICE
C7TZ-1190-D	(B)	<u>Front Brake Rotor Seal</u> -	F100	67-72	10.00 ea.
D3TZ-1190-A		- Disc Brake	F100/150	73-79	10.00 ea.

FRONT WHEEL BEARING & RACES

PART #	PIC	DESCRIPTION	MODEL	YEAR	PRICE
B7C-1201-A	(C)	<u>Wheel Bearing - Inner</u> - Drum Brakes - 2WD	F100	67-72	10.00 ea.
D0AZ-1201	(C)	- Disc Brakes - 2WD	F100-150	73-79	12.50 ea.
B7A-4221-B		- Disc Brakes - 4WD	F150	76-79	10.00 ea.
B7C-1202-A		<u>Wheel Bearing Race - Inner</u> - Drum Brakes - 2WD	F100	67-72	6.00 ea.
D0AZ-1202	(D)	- Disc Brakes - 2WD	F100-150	73-79	6.00 ea.
B7A-4222-B		- Disc Brakes - 4WD	F150	76-79	7.00 ea.
B5A-1216		<u>Wheel Bearing - Outer</u> - Drum Brakes - 2WD	F100	67	9.50 ea.
C3SZ-1216		- Drum Brakes - 2WD	F100	68-72	8.25 ea.
D0AZ-1216	(E)	- Disc Brakes - 2WD	F100-150	73-79	12.50 ea.
B7A-4221-A		- Disc Brakes - 4WD	F150	76-79	10.00 ea.
B5A-1217		<u>Wheel Bearing Race - Outer</u> - Drum Brake - 2WD	F-100	67	8.00 ea.
C3SZ-1217	(E)	- Drum Brake - 2WD	F-100	68-72	5.00 ea.
D0AZ-1217	(F)	- Disc Brake - 2WD	F100-150	73-79	4.50 ea.
B7A-4222-A		- Disc Brake - 4WD	F150	76-79	6.00 ea.
B7C-1203-S		<u>Inner Bearing & Race Set</u> Includes (1) B7C-1201-A (1)B7C-1202-A	F100	67-72	14.00 ea.
D8TZ-1197-B		<u>Outer Wheel Bearing Adjustment Nut</u>	F150	78-79	5.00 ea.



FRONT HUB & ROTOR

PART #	PIC	DESCRIPTION	MODEL	YEAR	PRICE
C8TZ-1102-A		<u>Front Disc Brake Hub & Rotor</u> - 4 x 2	F250	68-75	110.00 ea.
D6TZ-1102-C		<u>Front Disc Brake Hub and Rotor Assembly</u> - Dayton Brake System - w/ 2 wheel drive - w/ single rear wheels	F350	76-79	80.00 ea.

FRONT WHEEL COTTER PIN

PART #	PIC	DESCRIPTION	MODEL	YEAR	PRICE
72054-S		<u>Cotter Pin For Front Wheel</u>	F100/150	67-79	0.25 ea.

HUB BOLTS & LUG NUTS

PART #	PIC	DESCRIPTION	MODEL	YEAR	PRICE
D3TZ-1107-A		<u>Front Hub Bolt Stud</u> - RH Thread - 1/2" x 20 x 1 13/16"	F100/150	73-79	7.00 ea.
A9AZ-1107-B	(G)	<u>Rear Hub Bolt Stud</u> - 1/2" x 20 x 1 5/8"	ALL	66-75	3.00 ea.
B-1012	(H)	<u>Lug Nut for plain wheels</u>	ALL	66-79	0.50 ea.



LUG NUT PROTECTORS - Plastic

PART #	PIC	DESCRIPTION	YEAR	PRICE
P-1012		<u>Wheel Nut Protectors</u> To be used inside socket to protect chrome lug nuts Includes; (1) for 3/4" lug nut (1) for 13/16" lug nut	ALL	5.00 pr.



LOCKING HUB PARTS

PART #	PIC	DESCRIPTION	MODEL	YEAR	PRICE
		<u>Lockout Hub Actuating Knob - (4x4) - Red Plastic</u>			
D2TZ-1A029-A	(I)	- for Dana/Spicer Axle	F250	71-77	12.00 ea.
C8TZ-1A029-A		- for Ford Axle	F100-350	68-72	10.00 ea.
D9TZ-1K106-A		<u>Manual Locking Hub Repair Kit - does 2 Hubs</u>	F150-350	79-91	40.00 kit



I

REAR BRAKE DRUM

PART #	PIC	DESCRIPTION	MODEL	YEAR	PRICE
C4TZ-1126		-11" x 1 3/4"	F100-150	66-75	150.00 ea.
D6TZ-1126-A	(J)	-11" x 2 1/4"	F100-150	76-79	90.00 ea.
D4TZ-1126-A		-11" x 2 1/4"	F100-150	73-75	90.00 ea.

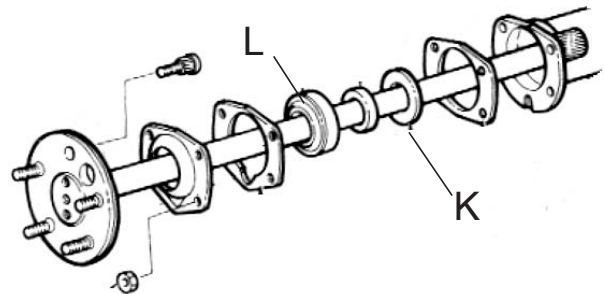


J



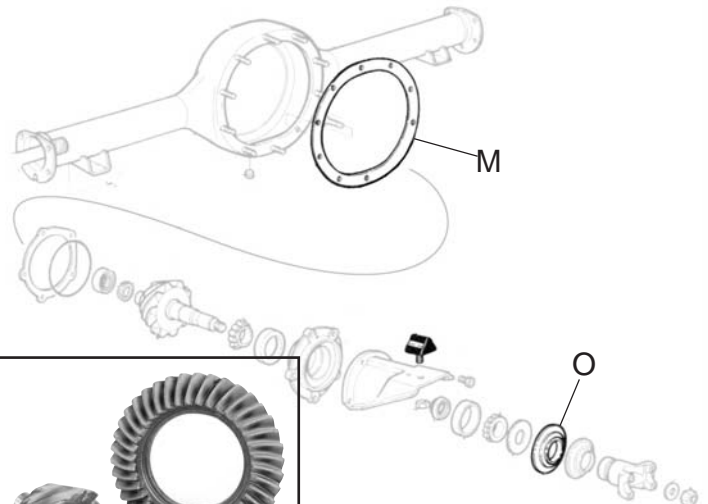
REAR AXLE BEARINGS & SEALS

PART #	PIC	DESCRIPTION	MODEL	YEAR	PRICE
B7A-1177-A		<u>Rear Axle Seal</u> - 1-1/2" I.D. - 2-1/2" O.D.	F100	67-68	5.00 ea.
C9VY-1177-A	(K)	<u>Rear Axle Seal - 3.6m axle</u> - 1-19/32" I.D. x 2-1/2" O.D.	F100-150	70-74	15.00 ea.
C9AZ-1177-A	(K)	<u>Rear Axle Seal - 3.3m axle</u> - 1-1 1/2" I.D. x 2-1/2" O.D. - Ball Bearing	F100-150	69-79	8.00 ea.
D4AZ-1177-A	(K)	<u>Rear Axle Seal</u> - 1-55/64" I.D. x 3-9/64" O.D. - Roller Bearing	F100-150	74-79	15.00 ea.
8M-1225-B	(L)	<u>Rear Axle Bearing 3.3m axle</u> - 3-9/64" O. D. x 1-17/32" I.D. x 1-5/64" Thick	F100-150	67-79	45.00 ea.
D0TZ-1225-A	(L)	<u>Rear Axle Bearing- 3.6m axle</u> - 3-9/64" O.D. x 1-5/8" I.D. x 1-5/64" Thick	F100	70-73	50.00 ea.
D4AZ-1225-A	(L)	<u>Rear Axle Bearing</u> - 3-5/32" O.D. x 1-9/16" I.D. x 25/32" Thick	F100-150	74-79	39.50 ea.



REAR DIFFERENTIAL HOUSING PARTS

PART #	PIC	DESCRIPTION	MODEL	YEAR	PRICE
B7A-4035	(M)	<u>Differential Housing Gasket</u> - 9" Ford Rear End	F100/150	73-79	8.00 ea.
B8AZ-4209-C	(N)	<u>Differential Ring Gear and Pinion Set - 3.25 Ratio</u> - 9" Ford Rear End	F100/150	64-79	300.00 set
B8A-4676-B	(O)	<u>Differential Pinion Seal</u> - 1 13/16 I.D. x 3" O.D. - 9" Ford Rear End	F100/150	64-79	14.00 ea.



N

REAR BRAKE SHOE & LINING SETS

PART #	PIC	DESCRIPTION	MODEL	YEAR	PRICE
Set does (1) axle					
10-2001		- 11" x 2"	4 pcs.	67	50.00 set
265-2001	(A)	- 11" x 3"	4 pcs.	68-72	50.00 set
55-2201		- 11" x 1-3/4"	4 pcs.	67	55.00 set
263-2001		- 11" x 2-1/4"	4 pcs.	68-79	50.00 set



DRUM BRAKE HARDWARE KIT

PART #	PIC	DESCRIPTION	MODEL	YEAR	PRICE
NOTE: Drum Brake Hardware Kit includes all of the hold down parts, adjusting screw springs and heavy duty return springs needed for (1) axle.					
C4TZ-2065-S		<u>Drum Brake Hardware Kit</u> - for front & rear	F100	67	17.00 kit
C8TZ-2065-F		- for front axle	F100	68-72	17.00 kit
C8TZ-2065-R	(B)	- for rear axle	F100	68-79	17.00 kit
C8TZ-2065-F		- for front axle	F100-750	73-79	17.00 kit
C8TZ-2065-R		- for rear axle	F100-750	73-79	17.00 kit



FRONT WHEEL CYLINDER ASSEMBLIES

PART #	PIC	DESCRIPTION	MODEL	YEAR	PRICE
C5TZ-2061	(C)	- Front - Right - 1-1/16"	F100	67	48.00 ea.
C5TZ-2062		- Front - Left - 1-1 /1 6"	F100	67	48.00 ea.
C5TZ-2061-C		- Front - Right - 1-1/8"	F100	68-71	40.00 ea.
C5TZ-2062-C		- Front - Left - 1-1/8"	F100	68-71	40.00 ea.
C1TT-2262-A		- Front - Right - 1-1/8"	F100	72	38.00 ea.
C1TT-2261 -A		- Front - Left - 1-1/8"	F100	72	38.00 ea.

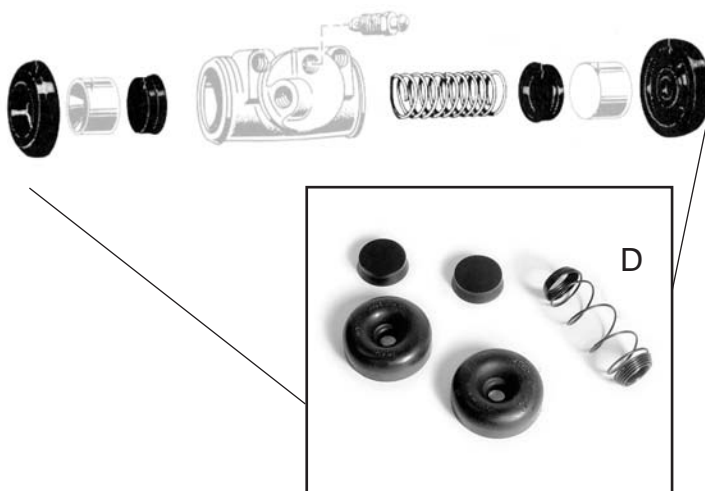


REAR WHEEL CYLINDERS ASSEMBLIES

PART #	PIC	DESCRIPTION	MODEL	YEAR	PRICE
C60Z-2261-A		- Right Side - 7/8"	F100	67-74	36.00 ea.
C60Z-2262-A		- Left Side - 7/8"	F100	67-74	36.00 ea.
C30Z-2261-A		- Right Side - 15/16"	F100-150	75-79	36.00 ea.
C30Z-2262-A		- Left Side - 15/16"	F100-150	75-79	36.00 ea.

WHEEL CYLINDER REPAIR KITS

PART #	PIC	DESCRIPTION	MODEL	YEAR	PRICE
1 KIT DOES 1 CYLINDER					
D3TZ-2128-A		- Front or Rear - 7/8"	F100	72	10.00 ea.
A8C-2221		- Front - 1-1/16"	F100	67	10.00 ea.
C8UZ-2221-A		- Front - 1-1/8"	F100	68-72	10.00 ea.
C60Z-2128-A	(D)	- Rear - 7/8"	F100	67-72	10.00 ea.
8A-2128		- Rear - 7/8"	F100	73-74	10.00 ea.
B2A-2128		- Rear - 15/16"	F100-150	75-79	10.00 ea.



BRAKE

1967-79 Truck
Quality Ford Restoration Parts

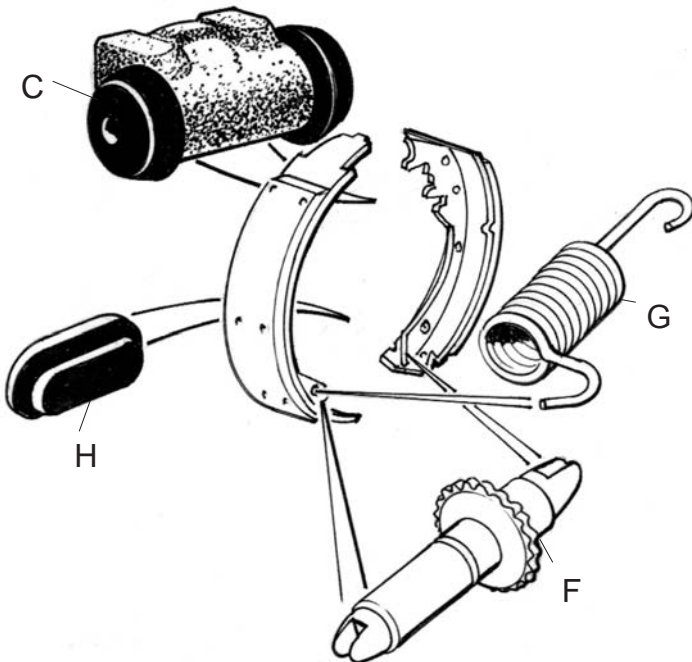
BRAKE HOSES

PART #	PIC	DESCRIPTION	MODEL	YEAR	PRICE
FRONT					
C5TZ-2078	(E)	- Front - 17 3/4" long	F100	67-71	36.00 ea.
D5TZ-2078-A		- Disc Brake - Front	F100-150	73-79	32.00 ea.
D5TZ-2078-G		- RH	F100-150	73-79	32.00 ea.
		- LH			
REAR					
C5TZ-2282		- Rear - 18 5/8"	F100	66-72	46.00 ea.
D5TZ-2282-H		- Drum Brake -Rear	F100-150	73-75	40.00 ea.
D8TZ-2282-C		- RH or LH	F100-150	76-79	29.00 ea.
		- RH or LH			



MISC. BRAKE PARTS

PART #	PIC	DESCRIPTION	MODEL	YEAR	PRICE
C4TZ-2041-S	(F)	Star Wheel Adj. Screw Assy. - Left Rear - 11" Drum	F100/150	67-79	14.00 ea.
C1SS-2049	(G)	Rear Brake Adjusting Spring - For 1 Axle	F100-150	73-79	12.50 ea.
C1SS-2049		Brake Shoe Adjusting Screw Spring - front & rear - (1) per wheel	F-100	64-72	12.50 ea.
COMM-2036-A		Rear Brake Retracting Spring - Primary - 1 per wheel	F100-150	67-79	4.00 ea.
COMM-2035-A		- Secondary - 1 per wheel	F100-150	67-79	4.00 ea.
8A-2092	(H)	Brake Adjusting Hole Cover - Rubber	F100-150	67-79	0.50 ea.



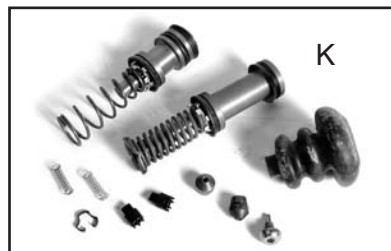
MASTER CYLINDER ASSEMBLY

PART #	PIC	DESCRIPTION	MODEL	YEAR	PRICE
C7TZ-2140-K	(I)	Master Cylinder Assembly	F-100	67	120.00 ea.
C8TZ-2140-C		Master Cylinder Assembly	F-100	68-72	125.00 ea.
D3TZ-2140-C		Master Cylinder Assembly - w/o Power Brake	F100/150	73-79	80.00 ea.
		- w/ Power Brake	F100/150	73-76	
D7TZ-2140-C	(J)	Master Cylinder Assembly - w/ Power Brake	F100/150	77-79	80.00 ea.



MASTER CYLINDER REPAIR KITS

PART #	PIC	DESCRIPTION	MODEL	YEAR	PRICE
C7TZ-2004-B	-		F-100	67	37.00 ea.
C8TZ-2004-C	-		F-100	68	35.00 ea.
C9TZ-2004-A	(K)	-	F-100	69-72	35.00 ea.
D3TZ-2004-C		- w/o Power Brake	F100-150	73-79	27.50 ea.
D3TZ-2004-B		- w/ Power Brake	F100-150	73-76	25.00 ea.
D7TZ-2004-B	(L)	- w/ Power Brake	F100-150	77-79	30.00 ea.



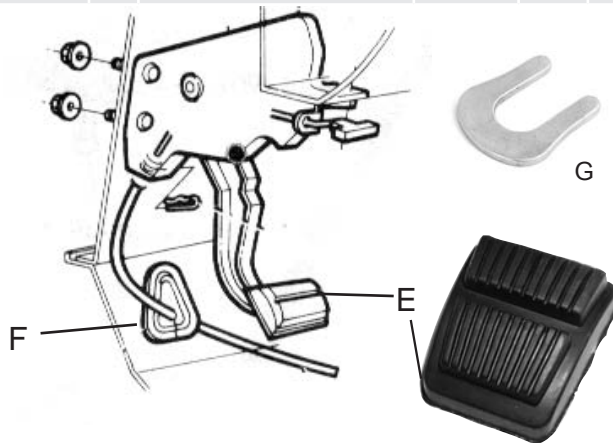
CLUTCH & BRAKE PEDAL PARTS

PART #	PIC	DESCRIPTION	MODEL	YEAR	PRICE
B7A-2457-A	(A)	<u>Clutch or Brake Pedal Pad</u>	F100/350	67-72	4.50 ea.
B7A-2457-A		<u>Clutch Pedal Pad</u>	F100/350	73-79	4.50 ea.
D3TZ-2457-A	(B)	<u>Brake Pedal Pad</u> - for pedal w/o metal trim	F100/350	73-79	5.00 ea.
D6TZ-2457-A		<u>Brake Pedal Pad</u> for pedal w/ metal rim	F100/350	76-79	10.00 ea.
B7AZ-2471-A	(C)	<u>Clutch or Brake Pedal Arm</u> <u>Plastic Bushing</u>			1.00 ea.
		Clutch Pedal - (takes 2).....	F100/350	67-77	
		Brake Pedal - (takes 4).....	F100/350	67-77	
		Clutch & Brake Pedal.....	F100/350	78-79	
		- Manual Trans. (takes 4)			
		Brake Pedal - (takes 2).....	F100/350	78-79	
		- Auto. Trans.			
		- Speed Control			
D1TZ-7583-A		<u>Clutch Pedal Bumper</u>	F100-350	68-72	10.00 ea.
D3TZ-7583-A	(D)	<u>Clutch and Brake Pedal Bumper</u>	F100-350	73-79	6.00 ea.



PARKING BRAKE PARTS

PART #	PIC	DESCRIPTION	MODEL	YEAR	PRICE
C8SZ-2454-A	(E)	<u>Park Brake Pedal Pad</u>	F100-350	73-79	8.00 ea.
C8SZ-2A798-A		<u>Park Brake Pedal Pad Trim</u>	F100-350	67-91	Coming
C7TZ-2K650		<u>Park Brake Cable to Floor Seal</u>	F100-350	67-72	2.00 ea.
D4TZ-2K650	(F)	<u>Park Brake Cable to Floor Seal</u>	F100-150	73-79	7.50 ea.
8M-2814		<u>Park Brake Cable Clip</u>	F100-350	67-72	2.00 ea.
91A-2106	(G)	<u>Park Brake Lever to Brake Shoe Retaining Clip</u> - need (2) per vehicle	F100-250	73-79	0.75 ea.



FRONT BRAKE CABLE & HOUSING

PART #	PIC	DESCRIPTION	MODEL	YEAR	PRICE
		<u>Front Brake Cable & Housing</u>			
C7TZ-2853-A		(4x2) - 77 3/4" long	F100-250	67-69	60.00 ea.
D0TZ-2853-A		(4x2) - 80 1/16" long	F100-350	70-72	65.00 ea.

REAR BRAKE CABLE

PART #	PIC	DESCRIPTION	MODEL	YEAR	PRICE
		<u>Rear Brake Cable</u>			
		- Before Ser. D96, 001			
C8TZ-2A635-A		- 58" long - RH	F100	68-69	50.00 ea.
C8TZ-2A635-B		- 62 5/32" long - LH	F100	68-69	60.00 ea.
		<u>Rear Brake Cable</u>			
D0TZ-2A635-H		- LH - (4x2) 62 5/32" long	F100	70-72	50.00 ea.
D0TZ-2A635-G		- RH (4x2) 52" long	F100	70-72	50.00 ea.

To bake the perfect bezels we use the original molds.

1. Start with quality grade granulated black ABS plastic.



2. Heat to 460° then inject into Original Ford mold. Let it cool.

3. Pop out perfect fitting 1973-1979 F100/350 dash instrument bezels that are true to the originals in every detail. Serves all F100/350 owners who insist on quality replacement parts.



Above: The original dash bezel injection mold once used by the Ford Motor Company is now mounted in a 500 ton HPM injection molding machine at Dennis Carpenter Ford Reproductions and is being put back into service. Here our very own connoisseur of molten plastics, Gary Shue, pulls a freshly injected Ford pickup truck dash bezel from the opened mold.

Shown on this page is our 1973-1979 F100/350 instrument panel cluster bezel with radio and integral air conditioning. (#D8TZ-10044D70-A) It features a matt black finish and is accented with multiple chrome borders EXACTLY like the originals. A wood grained version of this bezel is also available from Dennis Carpenter.

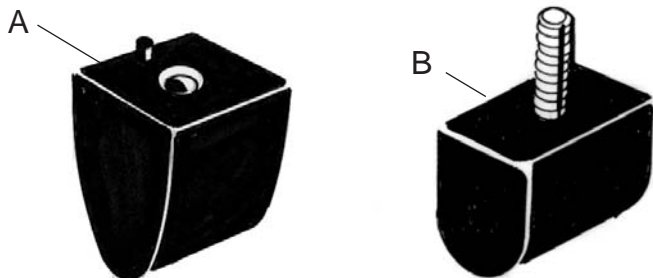


Indicates parts that are made from the original tooling and are licensed by the Ford Motor Company.

Dennis Carpenter Ford Reproductions is the first member of a select group of manufacturers licensed to make parts from original Ford tooling. These parts comply with quality standards established by Dennis Carpenter Ford Reproductions and the Ford Motor Company.

AXLE BUMPERS

PART #	PIC	DESCRIPTION	MODEL	YEAR	PRICE
C5TZ-3020-A	(A)	- Front - 2WD	F100-350	67-79	15.00 ea.
D7TZ-3020-A		- Front - 4WD	F150-250	77-79	10.00 ea.
C5TZ-4730-B	(B)	- Rear - 2WD - Rear - 4WD - Rear	F100-350 F100-250 F100-350	67-72 65-72 73-79	20.00 ea.



KING PIN BOLT SET

PART #	PIC	DESCRIPTION	MODEL	YEAR	PRICE
C8TZ-3111-A	(C)	- w/ Plastic Bushings - Use with spindle stamped C8TA-3107-D	F-100	67-71	60.00 kit
D2TZ-3111-A		- w/ Steel Bushings - Use with spindle stamped D2TA-3107-BA	F-100	71-72	60.00 kit
D2TZ-3111-A		- w/ Steel Bushings	F100	73-74	60.00 kit
D5TZ-3111-A	(D)	- w/ Steel Bushings	F100	75-79	60.00 kit



TIE ROD ENDS

PART #	PIC	DESCRIPTION	MODEL	YEAR	PRICE
C5TZ-3A130-A		Inner Tie Rod End - Right	F100	65-71	48.25 ea.



UPPER BALL JOINT

PART #	PIC	DESCRIPTION	MODEL	YEAR	PRICE
D3TZ-3049-A	(H)	Upper Ball Joint	F100/150	73-79	40.00 ea.

SPINDLE ASSEMBLY

PART #	PIC	DESCRIPTION	MODEL	YEAR	PRICE
D6TZ-3105-C		Front Spindle - RH or LH - 4 WD	F100-150	76-79	200.00 ea.



COIL SPRING PLATE - 4WD

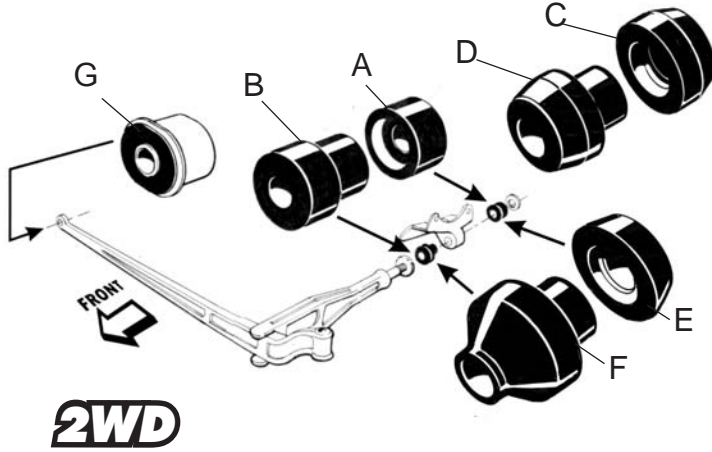
PART #	PIC	DESCRIPTION	MODEL	YEAR	PRICE
		<u>Front Spring Seat Assy.</u>			
D1TZ-5A307-A		Lower - 4WD	F100	71-75	30.00 ea.
D6TZ-5A307-C		Lower - 4WD	F100-150	76-77	30.00 ea.
D8TZ-5A307-B	(J)	Lower - 4WD	F150	78-79	30.00 ea.
		<u>Front Spring Mounting Retainer</u>			
C6TZ-5B300-C	(I)	Lower - 4WD	F100-150	66-75	15.00 ea.
D8TZ-5B300-A		Lower - 4WD	F150	78-79	25.00 ea.

SUSPENSION

1967-79 Truck
Quality Ford Restoration Parts

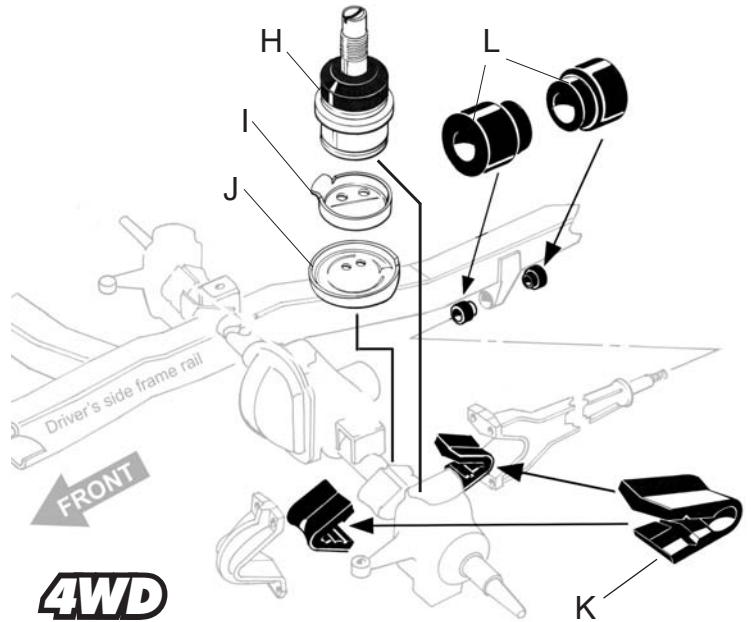
RADIUS ARM & AXLE PIVOT BUSHINGS - 2WD

PART #	PIC	DESCRIPTION	MODEL	YEAR	PRICE
C5TZ-3B177-A	(G)	Axle Pivot Bushing - 2WD Twin I Beam Front - takes 2	F100-250	65-79	15.00 ea.
C7TZ-3B203-A		Radius Arm Bushing - 2WD - Front & Rear - takes 4	F350	67-72	6.50 ea.
C5TZ-3B203-B	(A)	Radius Arm Bushing - 2WD - Rear - takes 2.....	F100-250 F100-350	65-72 73-79	6.50 ea. 6.50 ea.
C5TZ-3B203-C	(B)	- Front - takes 2.....	F100-250 F100-350	65-72 73-79	
D5TZ-3B203-C	(C)	Radius Arm Bushing - 2WD - Rear - takes 2	F100-350	76-78	6.50 ea.
D9TZ-3B203-A	(E)	- Rear - takes 2	F100-350	79-86	6.50 ea.
D5TZ-3B203-D	(D)	Radius Arm Bushing - 2WD - Front - takes 2	F100-350	76-78	6.50 ea.
E6TZ-3B203-A	(F)	- Front - takes 2	F100-350	79-86	6.50 ea.



RADIUS ROD & AXLE PIVOT BUSHINGS - 4WD

PART #	PIC	DESCRIPTION	MODEL	YEAR	PRICE
C5TZ-3B203-C		Radius Arm Bushing - 4WD At Frame end - 4 per axle	F100	67-72	6.50 ea.
C6TZ-3B203-C	(L)	Radius Arm Bushing - 4WD At Frame end - 2 per axle	F100-150	73-77	15.00 ea.
D6TZ-3B203-A	(K)	Radius Arm Bushing - 4WD - At Axle End - 4 per Axle	F100-150	67-79	6.50 ea.
D8TZ-3B203-A		Radius Arm Bushing - 4WD - At Axle End - 4 per axle	F100-150	78-79	6.50 ea.



RADIUS ARM & AXLE PIVOT KITS - 2WD

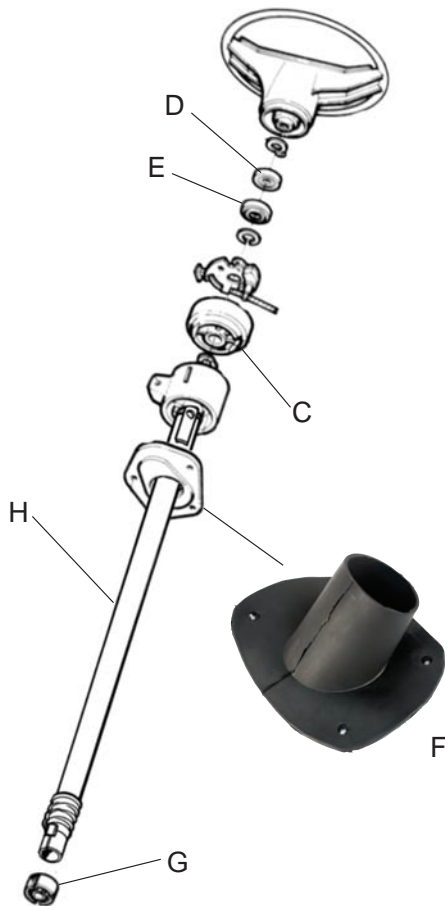
PART #	PIC	DESCRIPTION	MODEL	YEAR	PRICE
C5TZ-3B203-KIT		Radius Arm and Axle Pivot Bushing Kit - 2 W/D Includes: (2) - C5TZ-3B177-A (2) - C5TZ-3B203-C (2) - C5TZ-3B203-B	F100/250	65-75	50.00 kit
D5TZ-3B203-KIT		Radius Arm and Axle Pivot Bushing Kit - 2 W/D Includes: (2) - C5TZ-3B177-A (2) - D5TZ-3B203-C (2) - D5TZ-3B203-D	F100/250	76-78	50.00 kit
D9TZ-3B203-KIT		Radius Arm and Axle Pivot Bushing Kit - 2 W/D Includes: (2) - C5TZ-3B177-A (2) - D9TZ-3B203-A (2) - E6TZ-3B203-A	F100/250	79-86	50.00 kit

RADIUS ARM & AXLE PIVOT KITS - 4WD

PART #	PIC	DESCRIPTION	MODEL	YEAR	PRICE
D2TZ-3B203-KIT		Radius Arm Bushing and Axle Kit - 4x4 Includes: (4) of D6TZ-3B203-A (4) of C5TZ-3B203-C	F100	67-72	50.00 kit
D6TZ-3B203-KIT		Radius Arm Bushing and Axle Kit - 4x4 Includes: (4) - D6TZ-3B203-A (4) - C6TZ-3B203-C	F100/150	73-77	80.00 kit
D8TZ-3B203-KIT		Radius Arm Bushing and Axle Kit - 4x4 Includes: (4) - D6TZ-3B203-A (4) - D8TZ-3B203-A	F100/150	78-79	50.00 kit

STEERING COLUMN PARTS

PART #	PIC	DESCRIPTION	MODEL	YEAR	PRICE
DOTZ-3510-A		<u>Lower Steering Column Bearing Seal Retainer</u> 1 5/16" OD, 3/8 thick	F100-350	65-73	5.00 ea.
C5DZ-3511-A D3TZ-3511-D	(C)	<u>Steering Column Tube Flange</u> - Manual Transmission - Automatic	F100-250 F100-350	65-72 73-77	30.00 ea. 20.00 ea.
C3DZ-3517-A	(D)	<u>Upper & Lower Bearing</u> -2WD Before Serial # U60,001	F100-350	67-73	5.00 ea.
C3DZ-3517-A		<u>Lower Bearing</u> - 2WD with Fixed Wheel	F100-350	75-79	5.00 ea.
F23Z-3517-B	(D)	<u>Upper Bearing</u> - 2WD with Fixed Wheel	F100-350	74-79	24.00 ea.
B1AZ-3518-A	(E)	<u>Upper & Lower Bearing Sleeve</u> - 2 WD - Before Serial #S40,001	F100-350	67-73	10.00 ea.
E2AZ-3518-C	(E)	<u>Upper Steering Column Bearing Sleeve</u> - w/ Fixed Wheel	F100-350	74-79	7.00 ea.
C7TZ-3513-B C9TZ-3513-A D7TZ-3513	(F)	<u>Steering Column to Floor Seal</u> - Manual Steering - Power Steering - Manual or Power Steering	F100-350 F100/350 F100/350	67-76 69-76 77-79	20.00 ea. 20.00 ea. 8.00 ea.
D9TZ-3C773-B	(G)	<u>Steering Column Shaft Lower Plastic Bushing</u> - 2 wheel drive - w/ fixed column	F100/350 F100/350	73-77 79	6.00 ea.
C9TZ-7212-E D8TZ-7212-H C5TZ-7212-C	(H)	<u>Column Gear Shift Tube</u> - Automatic w/Power Steering - Automatic w/Power Steering - 3 Speed w/Manual Steering	F100-250 F100-250 F100-250	65-77 78-79 65-77	50.00 ea. 50.00 ea. 50.00 ea.



STEERING COLUMN FLANGE

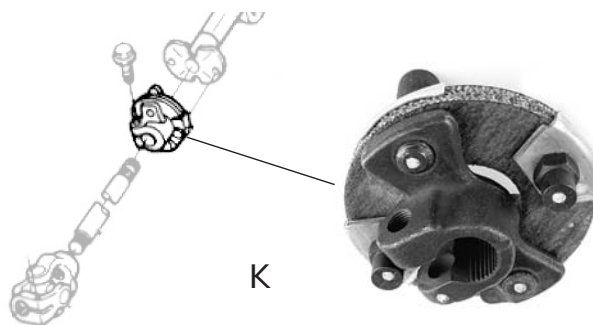
PART #	PIC	DESCRIPTION	YEAR	PRICE
C5TZ-3508	(J)	<u>Steering Column Lower Bearing Cup Support Flange</u>	65-77	10.00 ea.

Original support flanges wear into the metal when the bearings fail which warrants replacement



STEERING SHAFT COUPLING

PART #	PIC	DESCRIPTION	MODEL	YEAR	PRICE
Coupling that connect the steering gear input shaft to the steering column shaft.					
D5TZ-3A525-A D8TZ-3A525-A D9TZ-3A525-A	(K)	- Power Steering - 4x2 & 4x4 - Power Steering - 4x2 - Power steering	F100-350 F100-350 F150 4x4	74-77 78-79 78-79	100.00 ea. 70.00 ea. 78.00 ea.



STEERING GEAR SECTOR SHAFT SCREW

PART #	PIC	DESCRIPTION	Model	YEAR	PRICE
B7J-3577-A		<u>Steering Gear Sector Shaft Adjusting Screw</u> - 4WD with manual steering	F100-250	67-79	6.00 ea.



STEERING DRAG LINK ASSEMBLY

PART #	PIC	DESCRIPTION	MODEL	YEAR	PRICE
C5TZ-3304-C		<u>Steering Drag Link Assembly</u> - 4x2 (manual or power steering)	F100 F150	65-72 65-71	175.00 ea.

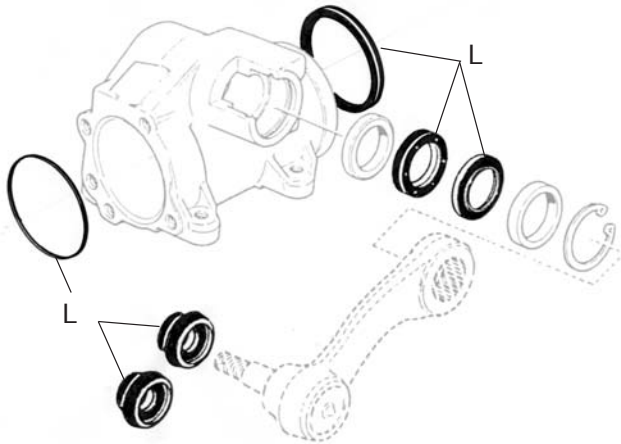


STEERING

1967-79 Truck
Quality Ford Restoration Parts

POWER STEERING BOX SEAL KIT

PART #	PIC	DESCRIPTION	MODEL	YEAR	PRICE
C6TZ-3E500-A		Power Steering Box Seal Kit for Bendix Steering Gear	F100-250	65-67	50.00 ea.
D7AZ-3E501-A	(L)	Power Steering Gear Upper Sector Shaft Seal Kit - w/ Ford Steering Gear	F100/350	67-79	42.00 ea.
D7AZ-3E502-A	(M)	Power Steering Gear Upper Input Shaft Seal Kit - w/ Ford Steering Gear	F100/350	67-79	30.00 ea.



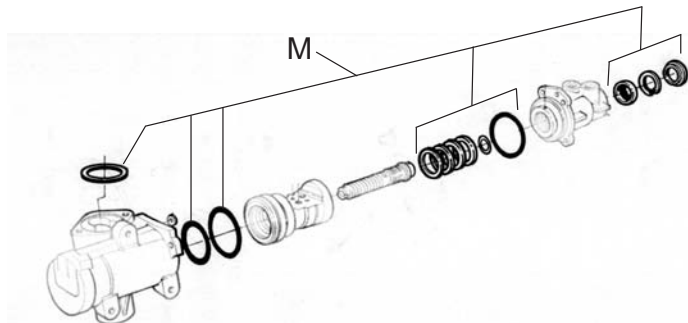
POWER STEERING RESERVOIR CAP

PART #	PIC	DESCRIPTION	MODEL	YEAR	PRICE
YF1Z-3A006-AA		Power Steering Reservoir Cap for Plastic Reservoir on Ford Pumps	F100/350	78-96	9.00 ea.



POWER STEERING CONTROL VALVE

PART #	PIC	DESCRIPTION	MODEL	YEAR	PRICE
D4TZ-3A533-A		Power Steering Hydraulic Control Valve Ball Stud Kit w/ 4 W/D	F250	74-77	50.00 ea.



STEERING WHEEL

PART #	PIC	DESCRIPTION	MODEL	YEAR	PRICE
C3DZ-3600-A	(A)	- Black - 3 spoke - No Horn Parts	F100-350	61-70	200.00 ea.
D4TZ-3600-A	(B)	- Black - 2 Spoke - w/o Speed Control - w/o Horn Switch	F100-350	71-77	250.00 ea.
D8TZ-3600-B	(C)	- Black - 2 Spoke - for Power Steering - w/o Horn Switch	F100-350	78-86	250.00 ea.
D5TZ-3600-B		- Black - 2 Spoke - For Speed Control	F100-350	75-77	300.00 ea.



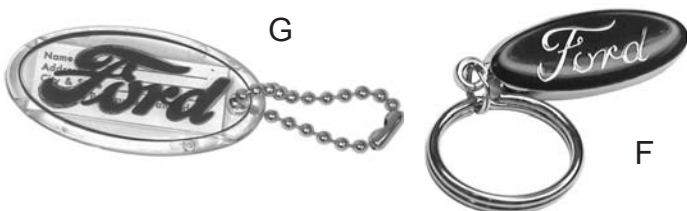
KEY BLANKS

PART #	PIC	DESCRIPTION	MODEL	YEAR	PRICE
C7AZ-3685-A	(D)	Ignition & Door Lock	F100	67-77	2.50 ea.
C7AZ-3685-B	(E)	Glove Box	F100	67-77	2.50 ea.



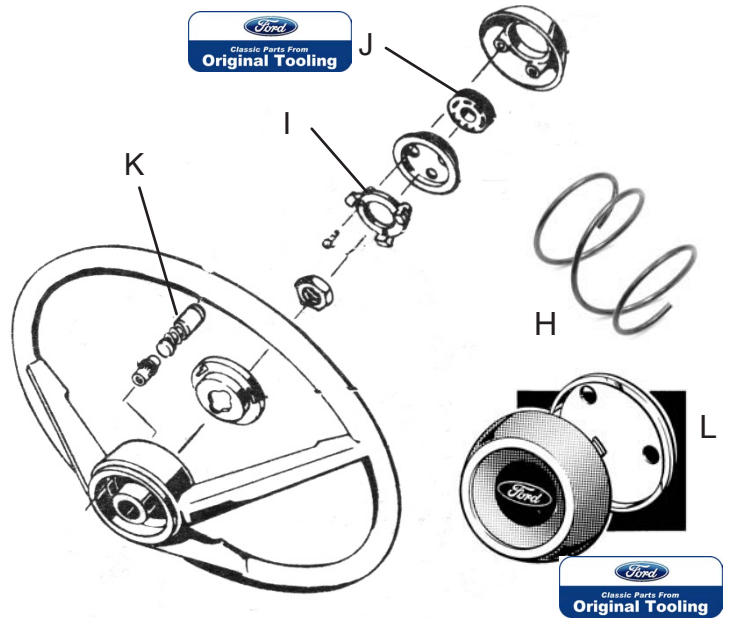
FORD KEY CHAINS

PART #	PIC	DESCRIPTION	YEAR	PRICE
KC-1	(F)	Key Chain		5.00 ea.
KC-2	(G)	Key Chain - Ford Script		5.00 ea.



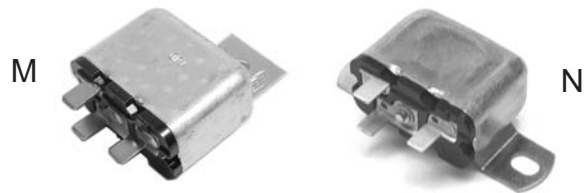
HORN RING RELATED PARTS

PART #	PIC	DESCRIPTION	MODEL	YEAR	PRICE
C0DZ-13A807-B	(H)	Horn Ring Spring	F100-250	61-70	3.00 ea.
C2DZ-13A809-A	(I)	Horn Ring Plastic Retainer Plate - Standard & Custom Cab	F100-350	67-70	5.00 ea.
C0DZ-13A813-A	(J)	Horn Ring Pressure Pad (rubber under ring above horn index plate)	F100-350	61-70	12.00 ea.
C20Z-13A821-A	(K)	Horn Ring Contact Brush Assembly	F100-350	67-72	5.00 ea.
C3TZ-13A805-C	(L)	Horn Button Assembly - Standard Cab	F100-250	61-70	32.50 ea.



HORN RELAY

PART #	PIC	DESCRIPTION	MODEL	YEAR	PRICE
C4AZ-13853-A	(M)	Horn Relay	F100-350	73-77	17.50 ea.
B8A-13853	(N)	Horn Relay	F100-350	67-68	17.50 ea.



HORN ASSEMBLY

PART #	PIC	DESCRIPTION	MODEL	YEAR	PRICE
C7TZ-13833-A		Horn Assembly - Original Design	F100-350	67-79	35.00 ea.



STEERING

1967-79 Truck
Quality Ford Restoration Parts

HORN BAR PAD & SWITCH ASSEMBLY

PART #	PIC	DESCRIPTION	YEAR	PRICE
Horn Bar Pad & Switch without Speed Control				
D3TZ-13A805-A		- Black finish	71-77	100.00 ea.
D3TZ-13A805-B	(O)	- Walnut finish	70-77	125.00 ea.
D3TZ-13A805-BS	(P)	- Brown finish	71-77	100.00 ea.
D8TZ-13A805-C	(Q)	- Woodgrain finish	78-81	125.00 ea.
D9TZ-13A805-A		- Black	78-81	100.00 ea.
Horn Bar Pad & Switch with Speed Control				
D5TZ-13A805-A	(R)	- Walnut finish	75-77	200.00 ea.



3 SPOKE SPORT WHEEL HORN PARTS

PART #	PIC	DESCRIPTION	MODEL	YEAR	PRICE
D8TZ-3649-A	(S)	<u>Steering Wheel Emblem</u> "FORD" for 3 spoke sport wheel	F100-350 E100-350	78-86 78-86	25.00 ea.
Horn Button -w/Ford Center for 3 spoke or sport wheel					
D8TZ-13A805-BL	(T)	- Black outer ring	F100-350	78-86	85.00 ea.
D8TZ-13A805-A	(U)	- Silver outer ring	F100-350	78-86	85.00 ea.

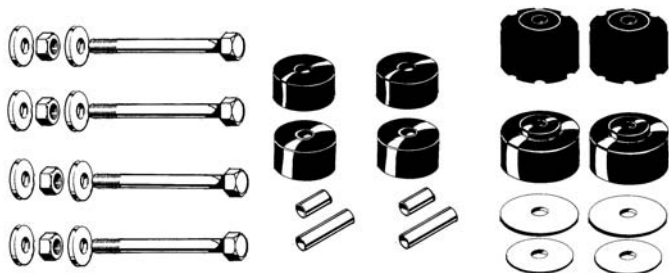
HORN RING / HORN BUTTON

PART #	PIC	DESCRIPTION	MODEL	YEAR	PRICE
C0DZ-13A805-A	(V)	<u>Horn Ring</u> - Chrome Includes: Horn Contact & Emblem Retainer - Emblem not included	F100-250	61-70	72.50 ea.
C3TZ-3649-B	(W)	<u>Horn Ring Emblem</u>	F100-350	68-70	30.00 ea.

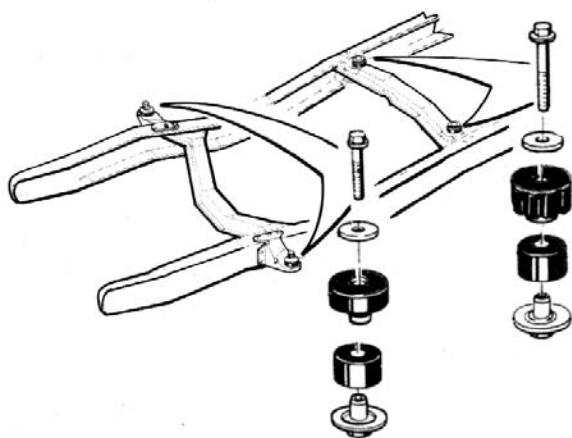


CAB TO FRAME MOUNTING KIT

PART #	PIC	DESCRIPTION	MODEL	YEAR	PRICE
Complete Kit comes with Installation Instructions					
C7TZ-5400-S		<u>Cab to Frame Mounting Kit</u> - 2W Drive	F100-250	67-72	100.00 kit
D3TZ-5400-S		<u>Cab to Frame Mounting Kit</u> - 4X2 - 2W/D	F100-350	73-79	100.00 kit

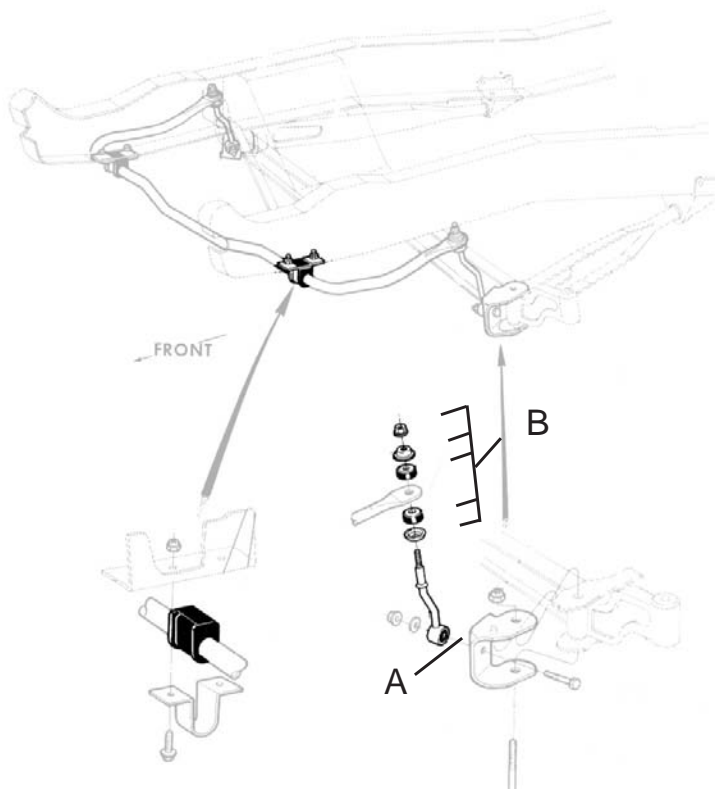


COMPLETE KIT COMES WITH INSTALLATION INSTRUCTIONS, ALL BOLTS, NUTS AND SPECIAL WASHERS



FRONT STABILIZER BAR PARTS

PART #	PIC	DESCRIPTION	MODEL	YEAR	PRICE
<u>Front Stabilizer Bar Link</u>					
D5TZ-5K483-A	(A)	- (2) per vehicle - 4x2	F150-350	75-79	15.00 ea.
D8TZ-5K483-A		- (2) per vehicle - 4x4	F150	78-79	50.00 ea.
<u>Front Stabilizer Bar Link End Repair Kit</u>					
D8TZ-5A486-A	(B)	- 2 per vehicle	F150-350	75-79	18.00 kit
<u>Stabilizer Bar Bushing</u>					
D3TZ-5493-C		- Rear - 2 per vehicle		73-79	15.00 ea.



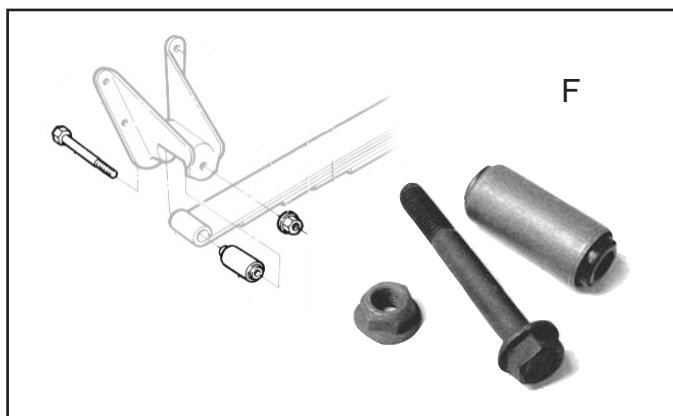
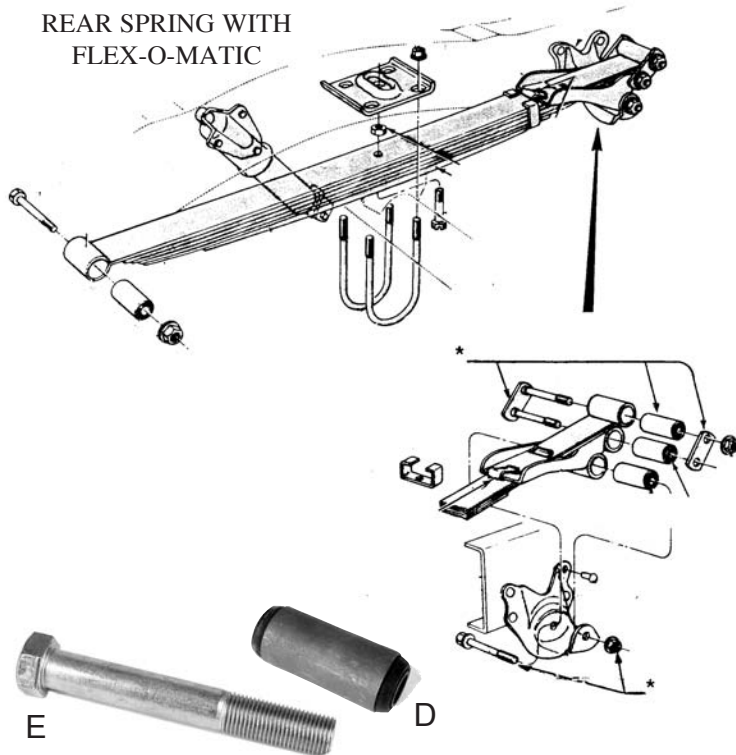
SHOCK ABSORBERS

PART #	PIC	DESCRIPTION	MODEL	YEAR	PRICE
C5TZ-18124-A	(C)	Front	F100-350	65-79	45.00 ea.
C5TZ-18125-C		Rear	F100	65-69	40.00 ea.
D0TZ-18125-A		Rear	F100-350	70-79	55.00 ea.



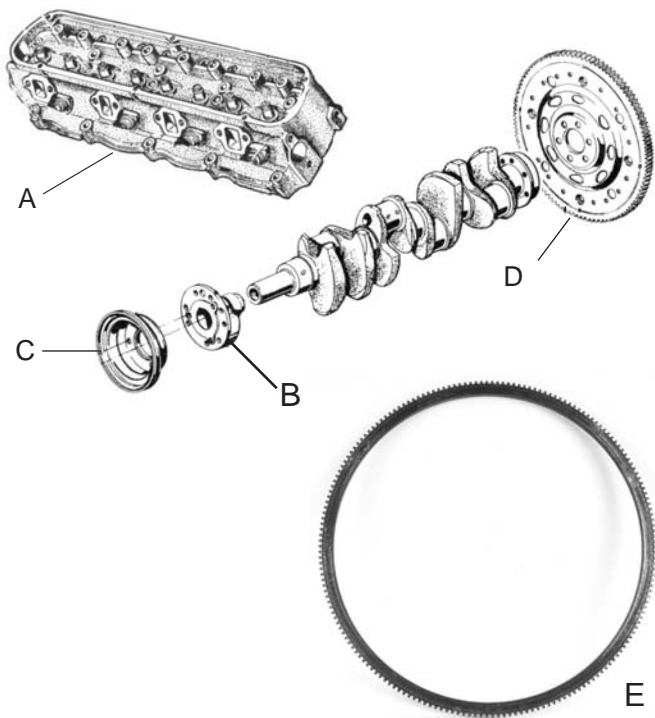
REAR SPRING SHACKLE KIT

PART #	PIC	DESCRIPTION	MODEL	YEAR	PRICE
For One Spring					
B7C-5630-A		Front of Rear Spring Shackle Kit - w/o Flex-O-Matic Spring	F100	67-72	17.50 kit
C8TZ-5630-C		Front of Rear Spring Shackle Kit	F250	68-72	14.50 kit
B7C-5781-A	(D)	Bushing - Need (6) for Front & Rear of Rear Spring - Without Flex-o-Matic Spring	F100	67-72	9.50 ea.
379668-S	(E)	Bolt-Need (6) for Front & Rear of Rear Spring Without Flex-O-Matic Spring	F100	67-72	3.75 ea.
D3TZ-5630-A	(F)	Front of Rear Spring Shackle Kit - For Single Spring - 2 Wheel Drive	F100-150	73-79	12.00 kit



ENGINE PARTS

PART #	PIC	DESCRIPTION	MODEL	YEAR	PRICE
C1AZ-6200-C		<u>Connecting Rod</u> - 8 cyl. 352, 360 - 8 cyl. 330 M/D		65-72 64-72	25.00 ea.
D6TZ-6049-A	(A)	<u>Cylinder Head Assembly</u> - NEW - GENUINE FORD - w/o valves - 8 cyl. 330 H/D, 361, 391		64-78	300.00 ea.
C20Z-6A008-A		<u>Cylinder Head to Cylinder Block Dowel Set</u> - set of (4) - 8 cyl. 289,302	ALL	78-79	5.00 set
C3AZ-6312-A	(B)	<u>Harmonic Balancer</u> - 352,390 V8 - 6 19/32" dia, 1 19/32" L - I.D. C4AE-6316-A or B	F100-350	60-72	120.00 ea.
D5TZ-6316-D	(C)	<u>Crankshaft Pulley Assembly</u> - w/ 390 V8	F100-350	73-76	100.00 ea.
352974-S100		<u>Dash to Engine Wiring Clip</u> - holds engine wiring along top of valve cover - (2) per truck	F100-350	67-72	2.00 ea.

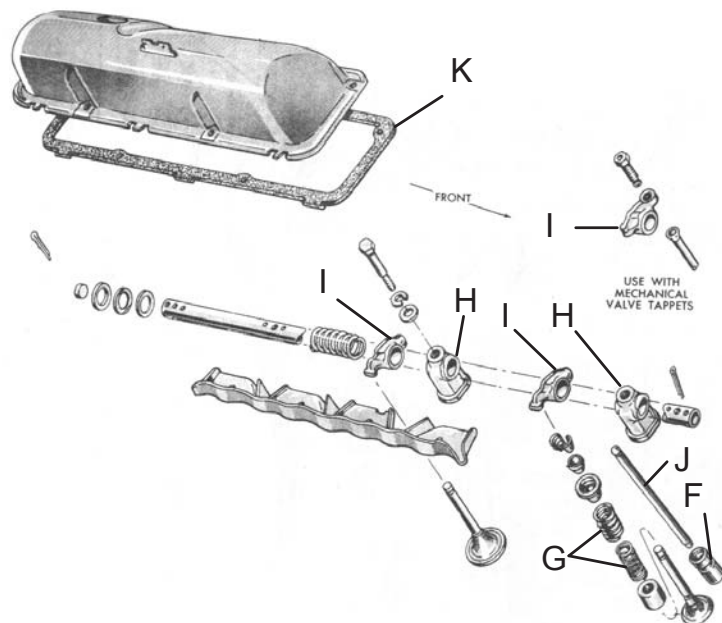


FLYWHEEL PARTS

PART #	PIC	DESCRIPTION	MODEL	YEAR	PRICE
D1AZ-6375-A	(D)	<u>Flywheel Assembly w/ 351m</u> - 400m - V8 for c6 Trans	F100-350	77-79	75.00 ea.
D1SZ-6375-A		<u>Automatic Flywheel Assembly</u> - 14 1/4" dia. for 429 & 460 V8	F250	73-79	80.00 ea.
C4TZ-6384-A	(E)	<u>Flywheel Ring Gear</u> - 188 Teeth - 8 cyl. 330, 361, 391		64-72	40.00 ea.

VALVE RELATED PARTS

PART #	PIC	DESCRIPTION	YEAR	PRICE
C8AZ-6500-A	(F)	<u>Valve Tappet - Hydraulic</u> - 8 cyl. 352, 360, 390 - 8 cyl. 330, 361, 391	65-72 64-72	5.00 ea.
B8A-6513-C	(G)	<u>Valve Spring - Before Ser. # A84.001</u> - 8 cyl. 352 - 8 cyl. 330 M/D	65-67 64-72	3.00 ea.
C2AZ-6531-B	(H)	<u>Valve Rocker Arm Shaft Support</u> - 8 cyl. 352, 360, 390 - 8 cyl. 330, 361, 391	65-72 64-72	12.50 ea.
B8AZ-6564-C	(I)	<u>Valve Rocker Arm</u> - 8 cyl. 352, 360, 390 - 8 cyl. 330, 361, 391	65-72 64-72	7.50 ea.
C8AZ-6565-A	(J)	<u>Valve Push Rod - .030 U/S</u> - 8 cyl. 352, 360, 390 - 8 cyl. 330, 361, 391	65-72 64-72	3.00 ea.
D0AZ-6584-C	(K)	<u>Valve Cover Gasket</u> - 8 cyl. 352, 360, 390 - 8 cyl. 330, 361, 391	65-72 64-72	10.00 pr.



MOTOR MOUNT

PART #	PIC	DESCRIPTION	MODEL	YEAR	PRICE
C7TZ-6038-H	(L)	<u>Motor Mount</u> - w/352 360, 390 V8 - RH - IN STOCK - LH - SOLD OUT	F100-350	67-72	20.00 ea.
C5TZ-6068-A	(M)	<u>Transmission Mount</u> - for Manual & Automatic Trans.	F100-350	65-79	15.00 ea.



MOTOR MOUNTS - UNIVERSAL

PART #	PIC	DESCRIPTION	MODEL	YEAR	PRICE
TD-9720	(N)	Ford 429-460 Into 65-79 Ford 2 WD Pickup Fits: F100-150-250-350. - Mount brackets and bushings. - No welding required. - Not for Lincoln motors.			160.00 kit



N

PCV VALVE RELATED

PART #	PIC	DESCRIPTION	MODEL	YEAR	PRICE
C6AZ-6A892-A	(O)	Grommet for PCV Valve - "D" Shaped Hole - 8 cyl. 289, 302 - 8 cyl. 351W	F100-350 F100-350	68-70 69	5.00 ea.
C7AZ-6A892-A	(P)	Grommet for PCV Valve - Round Hole - 8 cyl. 352 - 8 cyl. 302 Special	F100-350 F100-350	67 69-71	5.00 ea.
D00Z-6A892-A	(Q)	Grommet for PCV Valve - "D" Shaped Hole - 8 cyl. 302 - 8 cyl. 351		68-71 69-71	5.00 ea.



O



P



Q

CRANKCASE PARTS

PART #	PIC	DESCRIPTION	MODEL	YEAR	PRICE
C7TZ-6A664-B	(R)	Crankcase Ventilator Hose - w/ Ford Script & Part # - Moulded-8 cyl. 352,360,390	F100-350	67-71	8.00 ea.
D1TZ-6A664-A	(S)	Crankcase Ventilator Hose - w/ Ford Script & Part # - Moulded - 8 cyl. 302	F100	71-72	10.00 ea.
D1TZ-6767-A	(T)	Crankcase Ventilator Hose Nipple - Hose to Air Cleaner - 6 cyl. 300 L/D & H/D - Before Ser.# C50,001	F100-350	71-76	5.00 ea.



R



S



T

PCV VALVE ASSEMBLY

PART #	PIC	DESCRIPTION	MODEL	YEAR	PRICE
C8AZ-6A664-D	(U)	Hose for PCV Valve to Carb - w/ Ford Script & Part # - 8 cyl. 360, 390	F100-350	68-71	30.00 ea.
D8TZ-6A666-A	(V)	PCV Valve Assy. w/360 V8	F100-350	74-78	6.00 ea.



U



V

ENGINE LAMP ASSEMBLY

PART #	PIC	DESCRIPTION	MODEL	YEAR	PRICE
C2RZ-15A700-A		Engine Lamp Assembly		ALL	40.00 ea.



MOUNTS UNDER HOOD.
TURNS OFF AS HOOD
CLOSES.

OIL PUMP

PART #	PIC	DESCRIPTION	MODEL	YEAR	PRICE
C20Z-6600-A	(A)	<u>Oil Pump Assembly</u> - Genuine Ford for 221, 260, 289, 302 V8	F100-250	69-96	20.00 ea.
C5AZ-6600-A	(B)	<u>Oil Pump Assembly - 6 cyl.</u> - Genuine Ford for 240, 300	F100-350	65-96	27.00 ea.
C8AZ-6600-A		<u>Oil Pump Assembly</u> - 8 cyl. 352,360,390,428 - 8 cyl. 330 M/D	F100-350	65-76 64-72	35.00 ea.
B8AZ-6A618-A		<u>Oil Pump Drive Shaft</u> - 8 cyl. 352, 360, 390 - 8 cyl. 330 M/D		65-72 64-72	10.00 ea.



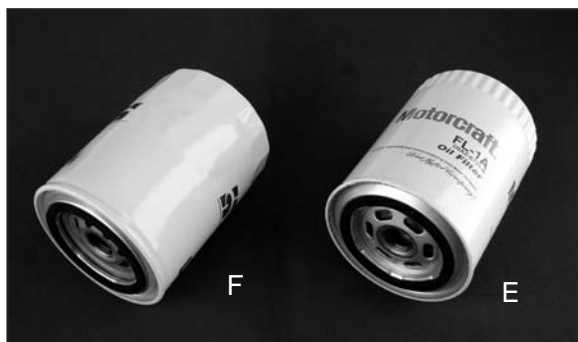
OIL FILLER CAP

PART #	PIC	DESCRIPTION	YEAR	PRICE
C8AZ-6766-A		<u>Oil Filler Cap - Black - Valve Cover type</u> 6 cyl. 240, 300 8 cyl. 302, 330, 360, 361, 390, 391	68-71 68-70	20.00 ea.



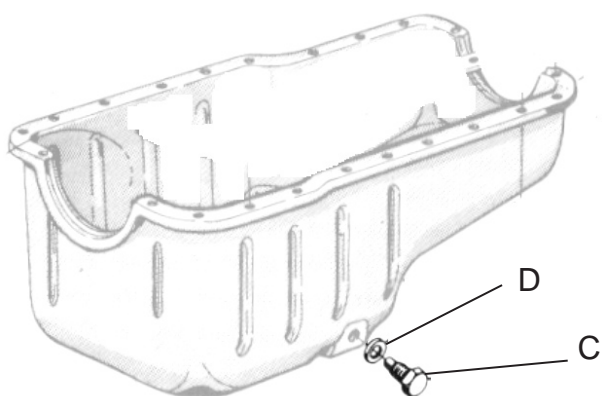
OIL FILTERS

PART #	PIC	DESCRIPTION	MODEL	YEAR	PRICE
D9AZ-6731-A	(E)	<u>Spin-On Type Oil Filter - Motorcraft</u>	F100	60-up	7.00 ea.
C2AZ-6731-B	(F)	<u>Spin-On Oil Filter - Hastings</u> - with check valve - oil remains in top of motor for better lubrication during startup	F100	60-up	9.00 ea.



OIL PAN

PART #	PIC	DESCRIPTION	MODEL	YEAR	PRICE
C0AE-6710-C		<u>Oil Pan Gasket Set</u> - 8 cyl. 352, 360, 390 - 8 cyl. 330, 361, 391	F100/350 F100/350	65-72 64-72	10.00 set
D1AZ-6730-A	(C)	<u>Oil Pan Drain Plug</u> - 1/2" x 20 - fits 170, 289, 302	F100/350	67-79	8.00 ea.
C20Z-6734-A	(D)	<u>Oil Pan Drain Plug Gasket</u> - fits 170, 289, 302	F100/350	67-79	3.00 ea.
C5AZ-6754-B		<u>Oil Dip Stick Tube</u> - 240 / 300 6 cyl. - 3 5/8" Long	F100/350	65-79	15.00 ea.



OIL PRESSURE SENDING UNIT

PART #	PIC	DESCRIPTION	MODEL	YEAR	PRICE
		<u>Oil Pressure Sending Unit</u>			
C8AZ-9278-A	(G)	- use w/ warning lights	F100/350	67-79	9.00 ea.
D9ZZ-9278-A	(H)	- use w/ gauges - Original Ford	F100/350	66-79	32.50 ea.
C9ZZ-9278-A		- use w/ gauges -aftermarket	F100/750	64-79	20.00 ea.



We make our F100/350 side moldings from the ORIGINAL FORD TOOLING.



The protective coating has been peeled back on this 1973-79 F100/350 upper door molding which has just been pulled from a metal stamping process. This particular "strike" gives the moldings their characteristic rolled over ends.

Classic Parts From Original Tooling

Ford Motor Company™



Aluminum stock is drawn through a series of roll forming dies



1973-79 Ford F100/350 side molding stock emerges

Our 1973-1979 F100/350 pickup truck side moldings begin as a huge spool of .030 aluminum stock. The aluminum is then pulled through a series of rollers which have had their surfaces machined to match the surface of the side molding. The tooling used by Dennis Carpenter Ford Reproductions to recreate these side moldings are the same roll forming dies that were used by the Ford Motor Company to create the moldings for their then new trucks many years ago.

As the formed aluminum stock exits the roller dies it is then cut into manageable lengths so that it can be distributed to other parts of the plant to receive further processing. Also at the cutting stage the side molding stock is regularly checked with a contour gage to ensure mandatory accuracy.

Other metal stamping processes are then applied to the aluminum stock which will determine whether the moldings are to be used for doors, fenders, or bed sides. After the moldings have been shaped into their final form a bright anodized finish is applied along with black detail stripes.



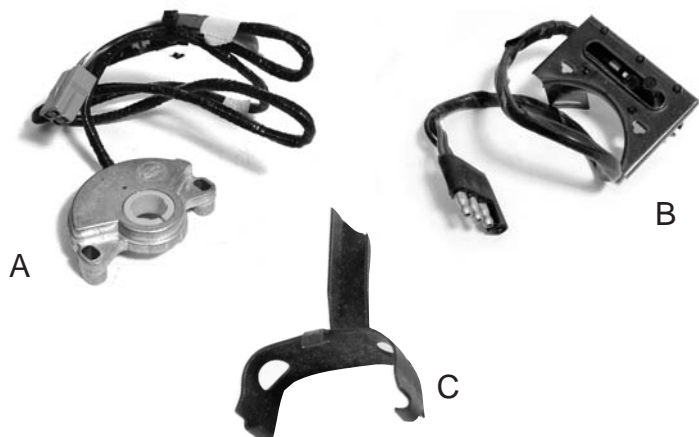
Some stamping tools will do several operations simultaneously like this 7 stage arrangement.



The molding contour is regularly checked for accuracy

NEUTRAL SAFETY SWITCH - AUTO

PART #	PIC	DESCRIPTION	MODEL	YEAR	PRICE
D8TZ-7A247-A	(A)	<u>Neutral Safety Switch on Transmission</u>	F100-350	78-79	120.00 ea.
C7TZ-7A247-A	(B)	<u>Transmission Gear Shift Neutral Switch</u> - column mounted	F100-350	67-77	70.00 ea.
D0TZ-7B097-B	(C)	<u>Trans. Control Selector Pin for Neutral Switch for A/T</u>	F100-350	65-77	12.00 ea.



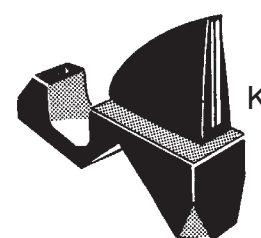
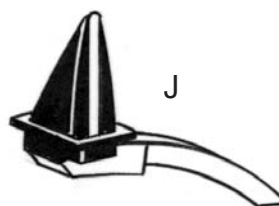
SHIFT DIAL HOUSING

PART #	PIC	DESCRIPTION	MODEL	YEAR	PRICE
D8TZ-7A213-A	(D)	<u>Transmission Shift Dial Housing</u> - Assembly w/ Tilt Column	F100/350	78-79	35.00 ea.



SHIFT RELATED

PART #	PIC	DESCRIPTION	MODEL	YEAR	PRICE
D3TZ-7A004-A	(E)	<u>Shift Indicator Cover</u>	F100/350	74-77	15.00 ea.
D9TZ-7A004-B	(F)	<u>Shift Indicator Cover</u>	F100/350	78-79	15.00 ea.
C7TZ-7B033-E	(G)	<u>Trans. Shift Dial</u> - Automatic - Before Ser.# M60,001	F100-350	67-72	14.00 ea.
D4TZ-7B033-A	(H)	<u>Trans. Shift Dial</u> - 8 cyl. with c-4	F100/350	74-77	20.00 ea.
D8TZ-7B033-A	(I)	<u>Trans. Shift Dial</u> - 8 cyl. 351, 400 with C-6 - Fixed column	F100/350	78-79	15.00 ea.
D3TZ-7A110-A	(J)	<u>Shift Indicator Pointer</u> - All with C-4	F100/350	67-77	12.00 ea.
D8TZ-7A110-C	(K)	<u>Shift Indicator Pointer</u> - 8 cyl. 351, 400 with C-6 - Fixed column	F100/350	78-79	10.00 ea.
B6A-13466-1445		<u>Transmission Selector Dial Light Bulb</u>	F100-350	73-79	1.00 ea.

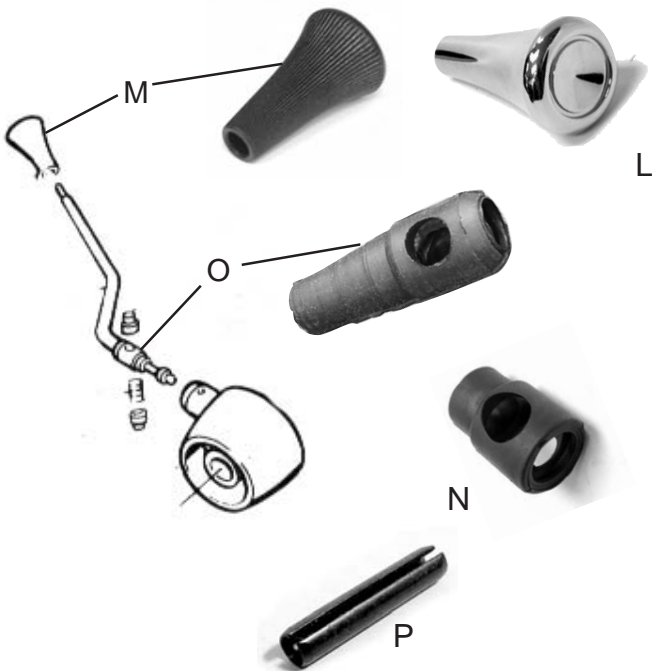


TRANSMISSION

1967-79 Truck
Quality Ford Restoration Parts

TRANSMISSION GEAR SHIFT

PART #	PIC	DESCRIPTION	MODEL	YEAR	PRICE
D30Z-7213-A	(L)	<u>Gear Shift Lever Knob for Column Shift</u> - Aluminum Chrome Finish	F100-350	70-72	15.00 ea.
E3SZ-7213-A	(M)	<u>Gear Shift Knob/Column Shift</u> - before 11-82 - Black	F100-350	73-83	10.00 ea.
C1AZ-7A377-B		<u>Shift Diaphragm or Modulator for Cruise-O-Matic Trans.</u> - FX & MX	F100-350	61-67	16.50 ea.
01A-7246-B	(O)	<u>Gear Shift Lever Insulator Rubber</u> Manual Transmission -Cut To Fit	F100-350	67-79	8.00 ea.
1M-7246-A	(N)	Automatic Transmission - Except D9TZ-7228-B	F100-350	67-79	8.00 ea.
357479-S	(P)	<u>Transmission Gear Shift Lever Pin</u>	F100-350	61-79	0.50 ea.



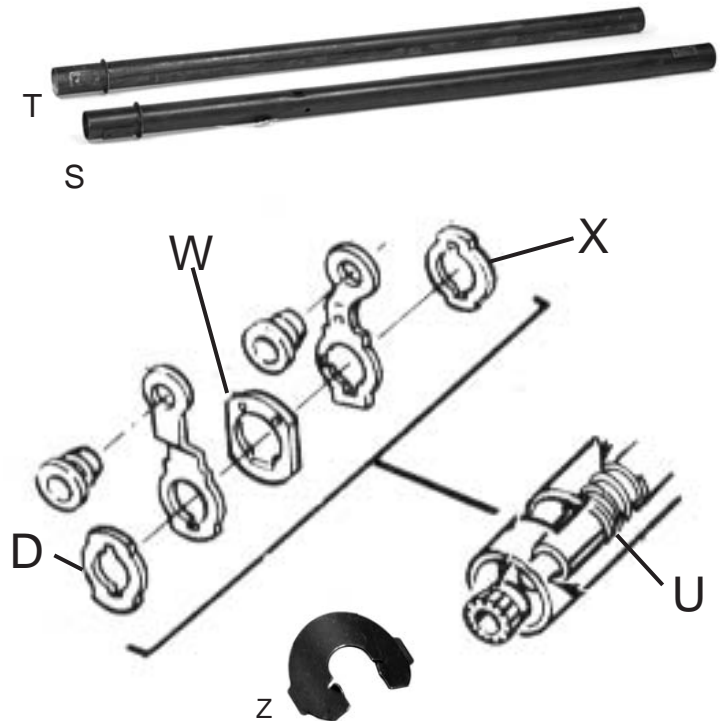
TRANS. CONTROL SELECTOR LEVER SOCKET

PART #	PIC	DESCRIPTION	MODEL	YEAR	PRICE
C0DZ-7228-B	(Q)	- 3 speed transmission	F100-250	67-77	110.00 ea.
D9TZ-7228-C		- 3 speed transmission	F100-350	78-79	130.00 ea.
C9TZ-7228-A		- Automatic	F100-350	67-77	70.00 ea.
D9TZ-7228-A		- Automatic - Adjustable column	F100-350	78-79	50.00 ea.
D9TZ-7228-B	(R)	- Automatic - Fixed Column	F100-350	78-79	90.00 ea.



COLUMN SHIFTER PARTS

PART #	PIC	DESCRIPTION	MODEL	YEAR	PRICE
C9TZ-7212-E	(S)	<u>Gear Shift Column Tube</u> - for A/T, w/ P/S	F100-250	65-77	50.00 ea.
D8TZ-7212-H	(T)	- for A/T, w/ P/S	F100-250	78-79	50.00 ea.
C5TZ-7212-C	(U)	- for 3-spd w/ M/S	F100-250	73-77	50.00 ea.
C5TZ-7303-A	(V)	<u>Column Shift Lever Arm</u> - for Low & Reverse Gear	F100-250	65-72	20.00 ea.
C5TZ-7302-A		- for 2nd & 3rd Gear	F100-250	65-72	20.00 ea.
E0TZ-7335-C		<u>Shift Lever Bushing for Transfer Case</u> - 2 per lever - part time		78-86	3.00 ea.
C9TZ-7336-A	(W)	<u>Column Shift Lever Spacer</u> - Plastic	F100-250	65-71	4.00 ea.
D2TZ-7336-A		- Plastic	F100-350	72-79	4.00 ea.
C5TZ-7D363-B	(X)	<u>Column Gear Shift Arm Thrust Washer</u> 3/32" thick - 2 per column	F100-250	65-79	2.00 ea.
C5TZ-7343-A	(Y)	<u>Column Gear Shift Selector Arm Bushing and Insulator Repair Kit</u>	F100-350	65-79	10.00 kit
379620-S100	(Z)	<u>Column Gear Shift Lever Arm to Trans. Shift Arm Clip</u> - 2 per vehicle	F100-350	65-79	2.00 ea.



**When you use
the right tools**



Race Track side moldings being made at Carpenter Industries

**the results are
spectacular.**

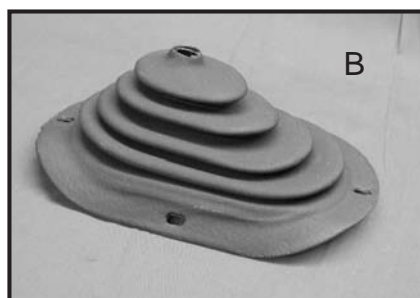


At Carpenter Industries we use the original Ford tooling to form rolls of quality 5657H242 aluminum into the dramatically twisting and turning Race Track side moldings used on F100s and Broncos of the late 1970s. Our brightly anodized finished molding kits outline the lower body and wheel wells giving any pickup that distinctive sport look especially when combined with a two-toned paint scheme.

Install a set of Dennis Carpenter Race Track moldings onto your pickup or Bronco and turn your Ford into something truly spectacular.

SHIFTER BOOT

PART #	PIC	DESCRIPTION	MODEL	YEAR	PRICE
D7TZ-7277-A	(A)	Transmission Gear Shift Lever Boot - 4 speed floor shift except O/D	F100-350	77-79	Coming
D3TZ-7277-A	(B)	Transfer Case Gear Shift Lever Boot 4 speed 4 wheel drive	F100-250	73-79	90.00 ea.
D8TZ-1013100-B	(C)	Floor Shift Boot Retainer - Original Tooling	F100-350	73-76	30.00 ea.



OVERDRIVE CABLE ASSEMBLY

PART #	PIC	DESCRIPTION	MODEL	YEAR	PRICE
A9AZ-7A650-A	(D)	Overdrive Cable Assembly - w/ Chrome Knob - Cut to Fit- 80 1/4" long	F100	57-71	50.00 ea.
A9AZ-7A650-K		Overdrive Cable Knob - Die Cast Chrome - Installs w/ set screw	F100	48-71	20.00 ea.
1A-7001694	(E)	Overdrive Pull Cable Grommet	F100	67-71	4.00 ea.



CLUTCH

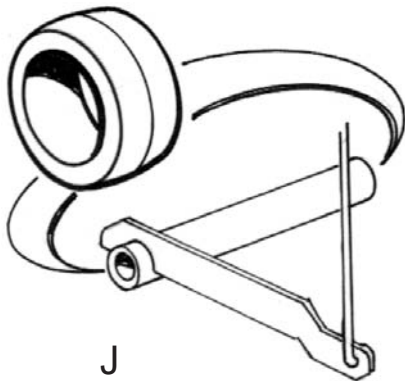
1967-79 Truck
Quality Ford Restoration Parts

CLUTCH PARTS

PART #	PIC	DESCRIPTION	MODEL	YEAR	PRICE
C3AZ-7515-C	(F)	Clutch Release Lever Assy. - w/ 352, 390, V-8	F100-250	65-72	50.00 ea.
D0TZ-7521-C	(G)	<u>Clutch Release Lever Rod</u> -	F100-350	69-72	16.00 ea.
D3TZ-7521-A	(H)	- for 3, 4 spd. Trans.	F100-350	73-76	20.00 ea.
C0AZ-7526-B		<u>Clutch Release Idler Lever Bushing</u>	F100-350	61-77	3.00 pr.
C5TZ-7A535-A	(I)	<u>Clutch Release Equalizer Mounting Pivot</u> - w/ 240, 300 6 cyl	F100-350	65-72	20.00 ea.
C8UZ-7A535-A	(I)	- w/ 302 V8	F100-350	69-79	15.00 ea.
C1AA-7543-A	(J)	<u>Clutch Release Equalizer Shaft Ball in Plastic</u> - .994" O.D. , .631" I.D. .50" thick - takes 2	F100-350	65-83	2.50 ea.
C1AA-7A630-A		Clutch Pedal Spring Insulator	F100-350	65-72	3.00 ea.

CLUTCH BOOTS, BUMPERS, & SEALS

PART #	PIC	DESCRIPTION	MODEL	YEAR	PRICE
D1TZ-7583-A	(K)	<u>Clutch Pedal Bumper</u>	F100-350	68-72	10.00 ea.
D3TZ-7583-A	(L)	<u>Clutch and Brake Pedal Bumper</u> - need (2) per car	F100-350	73-79	6.00 ea.
C5TZ-7513-A	(M)	<u>Clutch Release Lever to Clutch Housing Boot</u> 3/4 Spd MT - 6 cyl. 3/4 Spd MT - 8 cyl. 3/4 Spd MT - 8 cyl,302	F100-350 F100-350 F100-150	73-79 73-76 77-79	17.50 ea.
D7TZ-7513-A		<u>Clutch Release Lever Dust Boot for 351m-400m V8</u>	F100/350	77-82	15.00 ea.
C5TZ-7A533-A	(N)	<u>Clutch Rod to Floor Seal</u> - Remolded w/ Insert	F100-350	65-67	25.00 ea.
D2TZ-7A533-C	(O)	- Rubber - From M00,001	F100-350	71-79	17.50 ea.
C8TZ-7A533-A	(P)	- Rubber & Metal	F100-350	68-71	15.00 ea.
385523-S	(Q)	<u>Floor Hole Plug</u> - for Automatic Trans. to fill Clutch rod hole	F100-350	73-79	4.00 ea.



L

RADIATOR CAP

PART #	PIC	DESCRIPTION	MODEL	YEAR	PRICE
C9AZ-8100-A		- 14 lb. pressure	F100-350	67-79	7.00 ea.



RADIATOR HOSE & CLAMPS

PART #	PIC	DESCRIPTION	MODEL	YEAR	PRICE
C8TZ-8260-B		Upper Radiator Hose - w/o A/C - 4x2	F-100-350	68-72	12.00 ea.
B7AZ-8287-C	(C)	- Post or Tower - 1-11/16"	All		2.00 ea.

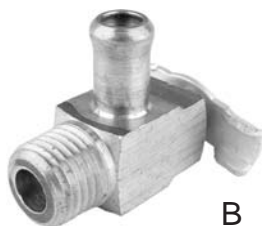


RADIATOR DRAIN COCKS

PART #	PIC	DESCRIPTION	MODEL	YEAR	PRICE
		- 1/4" x 18 pipe thread			
8A-8115	(A)	- Straight	ALL	67-79	10.00 ea.
8CM-8115-A	(B)	- 90 degree angle	ALL	67-79	5.00 ea.



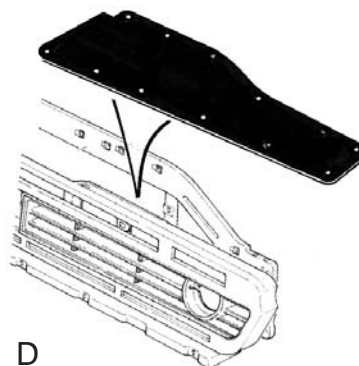
A



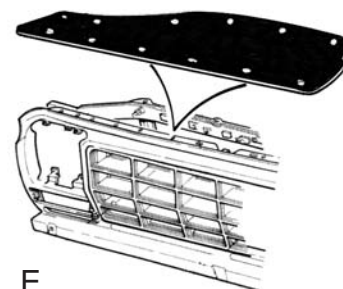
B

RADIATOR HEAT SHIELDS

PART #	PIC	DESCRIPTION	MODEL	YEAR	PRICE
		<u>Radiator Support to Grille Heat Shields</u>			20.00 pr.
D3TZ-8C122-PR	(D)	- w/o Factory Air	F100-350	73-77	20.00 pr.
D3TZ-8C122-PR	(D)	- w/ Factory Air	F100-350	73-79	15.00 pr.
D8TZ-8C122-PR	(E)	- w/o Factory Air	F100-350	78-79	15.00 pr.



D



E

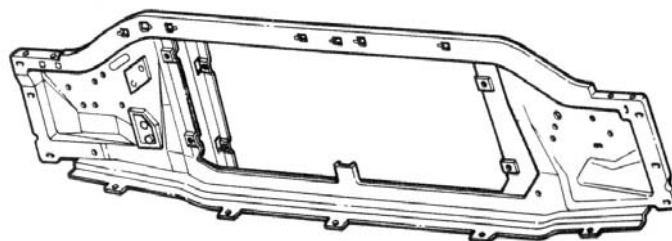
RADIATOR FRAME PAD KIT

PART #	PIC	DESCRIPTION	MODEL	YEAR	PRICE
C4TZ-8125-S		<u>Radiator Support to Frame Pad Kit</u> - 2 W/D - will work for F250-350 but must add extra metal washers	F100	65-76	60.00 kit



RADIATOR CORE SUPPORT

PART #	PIC	DESCRIPTION	MODEL	YEAR	PRICE
C7TZ-16378-A		- Imported - 2 W/D	F100-350	67-72	300.00 ea.
D8TZ-16138-A		22" Opening - Imported	F100/350	73-79	300.00 ea.



FAN SHROUD

1967-79 Truck
Quality Ford Restoration Parts

FAN SHROUD

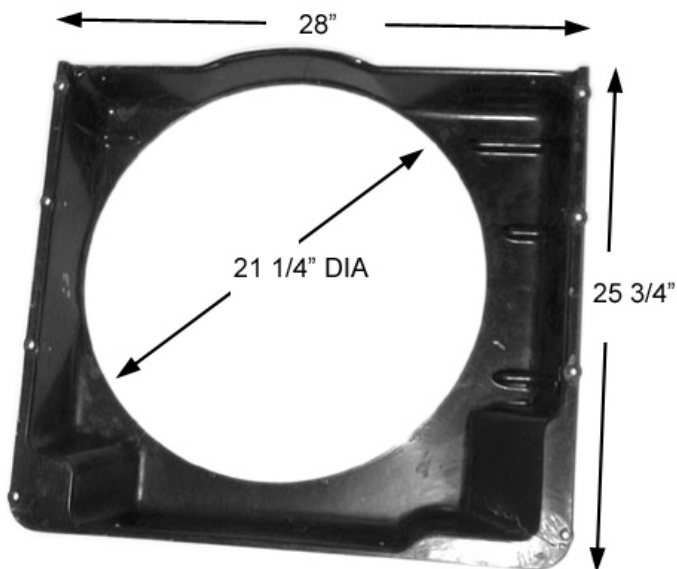
ORDER BY CASTING NUMBER IF POSSIBLE

C7TZ-8146-B Fan Shroud - I.D. # - C7TZ-H, D2TA-HA, D3TA-JA 120.00 ea.

1968-70	F350	(X/C) w/ or w/o A/C	360, 390,V8
1971-72	F100-350	(S/X/C) w/ or w/o A/C	360, 390,V8

1971-72 Fan Shroud fits all except California emissions.

1973-75	F350	(X/C) w/ A/C	360, 390,V8
1973	F250	(S/X/C)	360, 390,V8
1973-76	F100	(S/X/C)	390,V8
1973-76	F250 4x4	(S/X/C)	360,V8
1976	F150	(S/X/C)	360,V8
1976	F100	(S/X/C)	360,V8
1973-75	F100	(S/X/C) w/ A/C	360,V8



S/C = Std. Cool
X/C = Extra Cool
S/X/C = Super Extra Cool
A/C = Air Conditioner
KEY

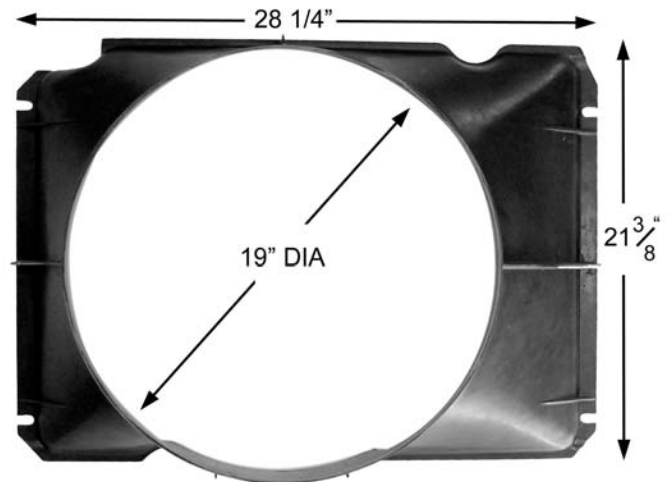


FAN SHROUD

ORDER BY CASTING NUMBER IF POSSIBLE

D3TZ-8146-B Fan Shroud - I.D. # - D3TA-CA 120.00 ea.

1969-72	F100/250	(X/C) w/ or w/o A/C	302,V8
1973-79	F100/150	(X/C) w/ A/C	302 V8



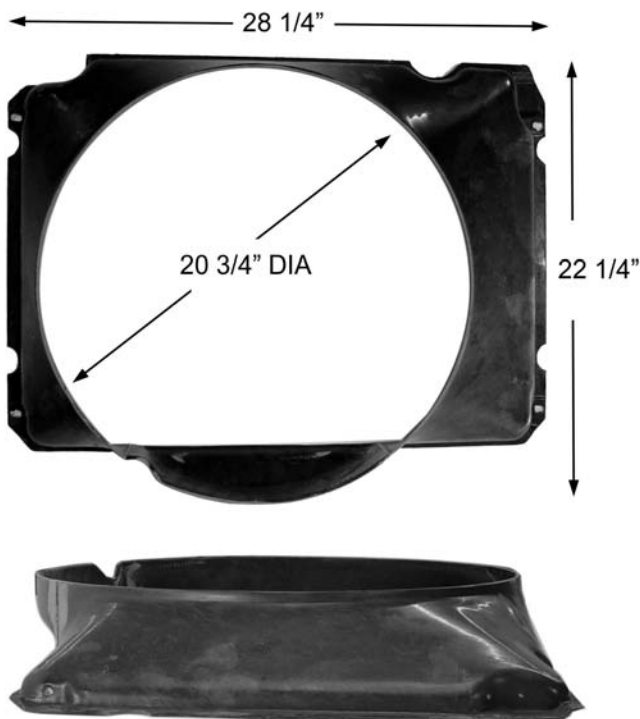
S/C = Std. Cool
X/C = Extra Cool
S/X/C = Super Extra Cool
A/C = Air Conditioner
KEY



FAN SHROUD

ORDER BY CASTING NUMBER IF POSSIBLE

D3TZ-8146-C Fan Shroud - I.D.# - D3TA-DA 130.00 ea.				
1973	F100	(X/C)	360,V8	
1972	F100-250 4x2	(S/C, X/C) and 4x4 w/ or w/o A/C	360, 390,V8	
1974-75	F100	(S/C, X/C, A/C) w/ or w/o Caiff	360,V8	
1976	F100 w/ A/T	(S/C, X/C)	360,V8	
1973-74	F100 4x4	(S/C, X/C, A/C)	360,V8	
1976	F100 4x4	(S/C) M/T	360,V8	
1975-76	F150	(X/C, A/C)	360,V8	
1976	F250-350	(X/C)	360,V8	
1973-76	F350	(X/C, S/C, A/C)	390,V8	
1973-76	F250	(S/C, X/C)	390,V8	
1973-76	F100	(S/C, X/C)	390,V8	

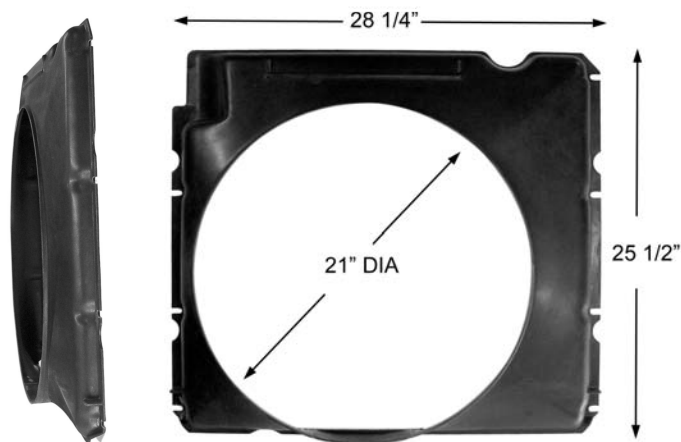


S/C = Std. Cool
 X/C = Extra Cool
 S/X/C = Super Extra Cool
 A/C = Air Conditioner
KEY

FAN SHROUD

ORDER BY CASTING NUMBER IF POSSIBLE

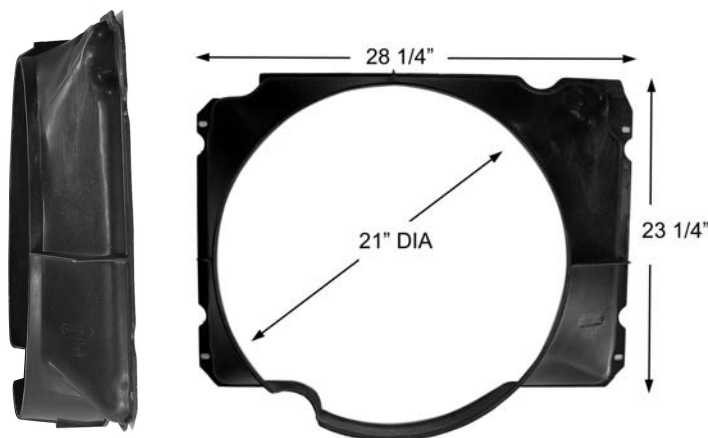
D3TZ-8146-D Fan Shroud - I.D.# - D4TA-CA or CB 120.00 ea.				
1973-79	F100-350	(S/C, X/C, S/X/C, A/C)	460,V8	



FAN SHROUD

ORDER BY CASTING NUMBER IF POSSIBLE

D4TZ-8146-A Fan Shroud - I.D.# - D4TA-DB 120.00 ea.				
1976	F100 w/ (A/C)		360,V8	
1975	F100 4w/d Full Time	(S/C, X/C, A/C)	360,V8	
1976	F100 4w/d	(S/C, X/C, A/C)	360,V8	
1976	F150 2w/d w/H/D Trailer towing, camper special	(X/C, A/C)	360,V8	
1977	F150 4w/d	(S/C, X/C, A/C)	360	
1976	F250 2w/d	(A/C)	360	
1976	F250 4w/d	(A/C)	360	
1976	F350	(A/C)	360,V8	
1976	F100	(A/C)	390,V8	
1976	F150 A/T	(S/C, X/C, A/C)	390,V8	
1976	F350 A/T w/ Trailer Towing	(S/C, X/C, A/C)	390,V8	



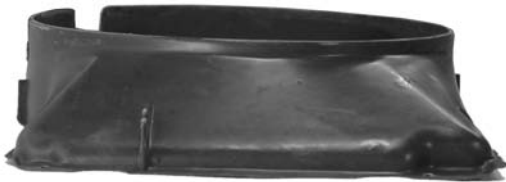
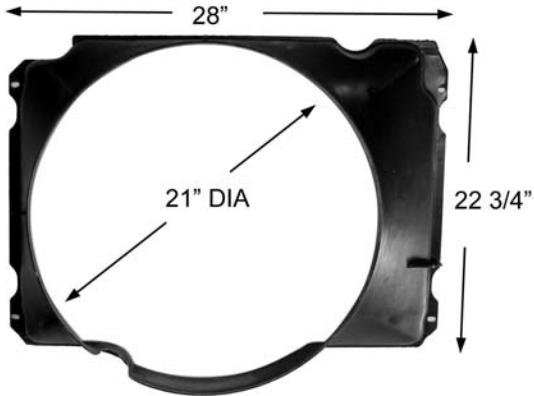
FAN SHROUD

1967-79 Truck
Quality Ford Restoration Parts

FAN SHROUD

ORDER BY CASTING NUMBER IF POSSIBLE

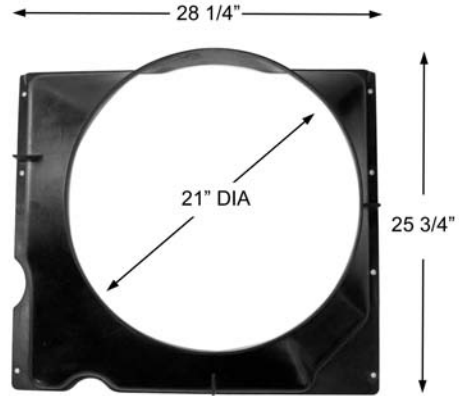
D7TZ-8146-A	Fan Shroud - I.D.# - D7TA-AA	200.00 ea.
1977-79	F150-350 w/ A/T, M/T trans	(S/C, X/C) 351,400m,V8



FAN SHROUD

ORDER BY CASTING NUMBER IF POSSIBLE

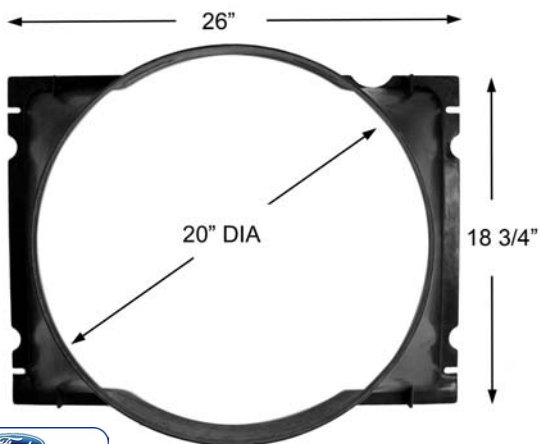
D7TZ-8146-D	Fan Shroud - I.D.# - D7TA-SA	120.00 ea.
1977-79	F100-350	(S/X/C) 351,400m,V8



FAN SHROUD

ORDER BY CASTING NUMBER IF POSSIBLE

D8TZ-8146-B	Fan Shroud - I.D.# - D8TA-BA	120.00 ea.
1978-79	F100-150	(S/C, X/C) 302,V8



S/C = Std. Cool
X/C = Extra Cool
S/X/C = Super Extra Cool
A/C = Air Conditioner
KEY

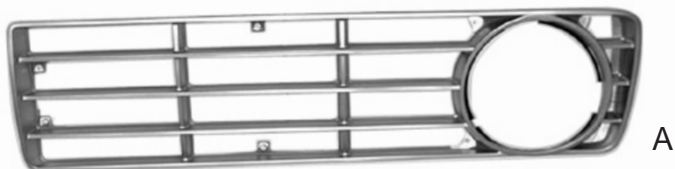
FAN SHROUD

ORDER BY CASTING NUMBER IF POSSIBLE

D7TZ-8146-C	Fan Shroud - I.D.# - D7TA-RA, RB,D8TA-DA	Coming
1977-79	F100-350	(S/X/S, A/C) 300 6 cyl.

GRILLE PLASTIC INSERTS

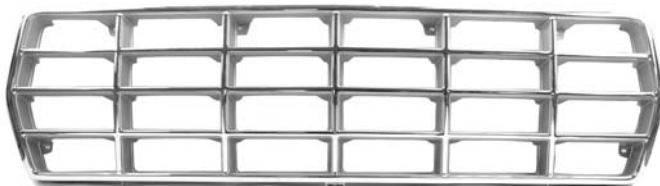
PART #	PIC	DESCRIPTION	MODEL	YEAR	PRICE
D0TZ-8150-B	(D)	Painted - Argent Silver	F100-350	70	60.00 ea.
D0TZ-8150-CC		Chrome Plated	F100-350	70	90.00 ea.
D2TZ-8150-A	(E)	- Painted - Chrome & Black	F100-350	72	60.00 ea.
D2TZ-8151-A		- RH	F100-350	72	60.00 ea.
D3TZ-8150-A		- RH	F100-350	73-75	60.00 ea.
D3TZ-8151-A	(A)	- LH	F100-350	73-75	60.00 ea.
D6TZ-8150-A		- RH - Argent & Charcoal	F100-350	76-77	60.00 ea.
D6TZ-8151-A	(B)	- LH - Argent & Charcoal	F100-350	76-77	60.00 ea.
D8TZ-8150-A		- Bright Argent	F100-350	78-79	90.00 ea.
D8TZ-8150-C	(C)	- Chrome & Light Argent	F100-350	78-79	150.00 ea.



A



B



C



D



E

GRILLE OUTER CHROME SHELL

PART #	PIC	DESCRIPTION	MODEL	YEAR	PRICE
Grille Outer Chrome Shells do NOT include inserts.					
Grille Outer Chrome Shell					
D0TZ-8200-D	(F)	- bright anodized alumium	F100-350	70	550.00 ea.
D2TZ-8200-A		- bright anodized alumium	F100-350	71-72	550.00 ea.
D6TZ-8200-A	(G)	- bright anodized alumium	F100-350	73-77	550.00 ea.
D8TZ-8200-A	(H)	- bright anodized alumium	F100-350	78-79	550.00 ea.

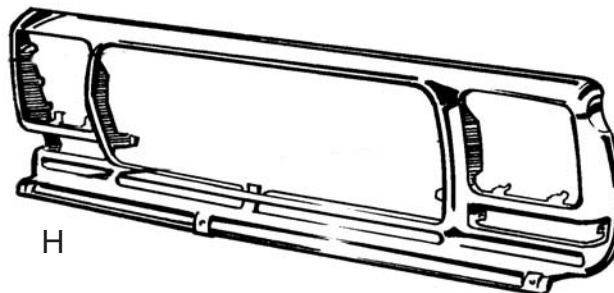
We are having problems finding correct type aluminum that works in Original Tooling. Call for availability.



F



G



H



GRILLE LETTERS - FORD


PART #	PIC	DESCRIPTION	MODEL	YEAR	PRICE
D3TZ-8316-K		F.O.R.D. Letters - on Front of Grille - Triple chrome plated - w/ correct mounting Hardware	F100-350	73-77	50.00 set



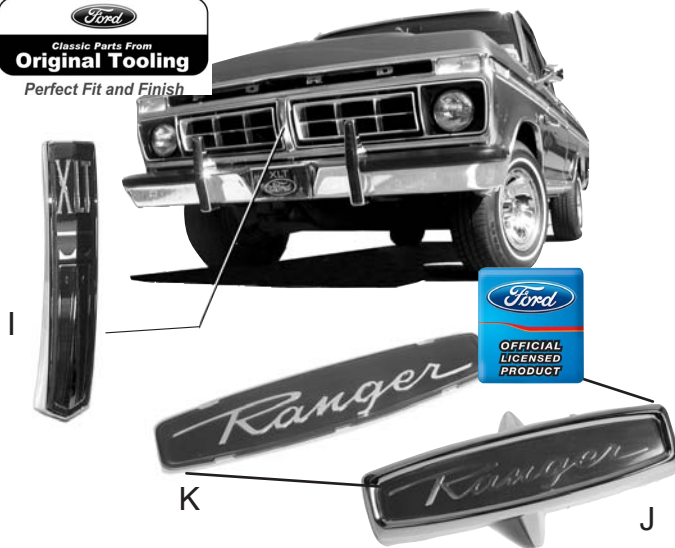
THERMOSTAT

1967-79 Truck
Quality Ford Restoration Parts

GRILLE EMBLEM

PART #	PIC	DESCRIPTION	MODEL	YEAR	PRICE
D3TZ-8213-A	(I)	Grille XLT Emblem	F100-350	73-76	65.00 ea.
					
C8TZ-8259-A	(J)	Ranger Chrome Grille Emblem - w/ Red Plastic Insert	F-100-350	68-69	85.00 ea.
C8TZ-8213-A	(K)	- Insert Only - Red Plastic	F-100-350	68-69	25.00 ea.


Classic Parts From
Original Tooling
Perfect Fit and Finish



WATER PUMPS

PART #	PIC	DESCRIPTION	MODEL	YEAR	PRICE
INCLUDES GASKETS					
D2AZ-8501-AN		6 cyl. 240 & 300 Without Thermactor Emission	F100-350	67-77	70.00 ea.
D5TZ-8501-BN	(N)	6 cyl. 300 - w/ or w/o Thermactor Emission	F100	74-79	60.00 ea.
D00Z-8501-CN	(O)	8 cyl. 302	F100-150	69-79	70.00 ea.
D0AZ-8501-DN		8 cyl. 360 & 390 - Replacement	F100-350	67-76	100.00 ea.
D0AZ-8501-DR		Water Pump - Rebuilt V-8 360, 390 - w/ cast # & Ford Script - Original Ford	F100/350	67-76	100.00 ea.
D6AZ-8501-AN		8 cyl. 351M & 400	F100-350	77-79	80.00 ea.
D2VY-8501-CN		8 cyl. 8 cyl. 460	F100-350	73-79	80.00 ea.



O



N

TEMP. CONTROL SWITCH & SENDER

PART #	PIC	DESCRIPTION	MODEL	YEAR	PRICE
D5ZZ-8A564-A	(L)	Coolant Temperature Control Vacuum Switch	All	74-89	16.50 ea.



L

BY PASS HOSE

PART #	PIC	DESCRIPTION	MODEL	YEAR	PRICE
C20Z-8597-D		- 8 cyl. - 360, 390 - 8 cyl. - 460	F100-350 F100-350	73-76 73-79	3.00 ea.
D00Z-8597-B	(M)	- 8 cyl. - 302	F100	73-79	12.50 ea.



M

THERMOSTATS

PART #	PIC	DESCRIPTION	MODEL	YEAR	PRICE
GASKETS NOT INCLUDED W/ THERMOSTATS. SOLD SEPERATELY.					
<u>Thermostat</u> <u>6 & 8 cylinder 240, 300, 302, 360, 390, 460</u>					
1BA-8575-A		- 160°	F100-350	67-79	5.00 ea.
1BA-8575-B	(P)	- 180°	F100-350	67-79	5.00 ea.
D4PZ-8575-A		- 190°	F100-350	64-79	3.00 ea.
<u>Thermostat - 8 cyl - 352</u>					
C2AZ-8575-A		- 180°		67	6.00 ea.
C2AZ-8575-B		- 160°		67	6.00 ea.
<u>Thermostat Gasket</u>					
C9AZ-8255-A	(Q)	240,300,302	F100-350	67-79	3.00 ea.
D1PZ-8255-A		360,390	F100-350	67-76	3.00 ea.
C8SZ-8255-A		351,400	F100-350	77-79	3.00 ea.
C8SZ-8255-A		460	F100-350	73-79	3.00 ea.



P



Q

GAS TANKS - TRUCK

PART #	PIC	DESCRIPTION	MODEL	YEAR	PRICE
Aft Axle Gas Tank (26-1/2"x34-1/2"x7-1/2). Check dimensions for application Vent pipe is toward the front of vehicle - Will not fit Camper Special.					
D5TZ-9002-B	(A)	- w/ emission hole	F100-350	73-79	190.00 ea.
D8TZ-9002-M	(B)	- w/o emission hole	F100-350	73-79	150.00 ea.
D0TZ-9002-A	(C)	18.5 gal.	F100-350	61-70	300.00 ea.
D1TZ-9002-A		18.5 gal.	F100-350	71-72	300.00 ea.



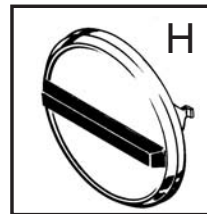
GAS TANK SLUSHING COMPOUND

PART #	PIC	DESCRIPTION	PRICE
GTS-9000	(D)	Gas Tank Slushing Compound - Prevents rust & seals small leaks	30.00 qt.
GTP-9001	(E)	Gas Preservative and Stabilizer - Prevents gum & varnish formations & corrosion. Use when car is not run for long periods of time.	30.00 qt.



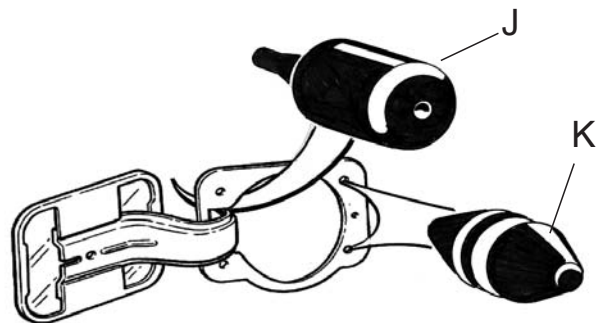
GAS CAPS

PART #	PIC	DESCRIPTION	MODEL	YEAR	PRICE
8A-9030	(F)	- Stainless Steel - Vented	F100-350	67-70	7.00 ea.
D1PZ-9030-K	(G)	- Chrome	F100-350	71-72	8.00 ea.
D4TZ-9030-A	(H)	- Replacement - Styleside - Aft. Tank	F150-250	73-76	8.00 ea.
D8TZ-9030-B	(I)	- Locking Type - Replacement - Styleside & Flareside - All Tanks	F100-350	77-78	17.00 ea.



GAS TANK DOOR BUMPERS

PART #	PIC	DESCRIPTION	MODEL	YEAR	PRICE
379366-S	(J)	Gas Filler Door Hinge Bumper - On Door	F100-350	77-79	4.00 ea.
378437-S	(K)	Gas Filler Door Bumpers - On Body	F100-350	77-79	5.00 pr.

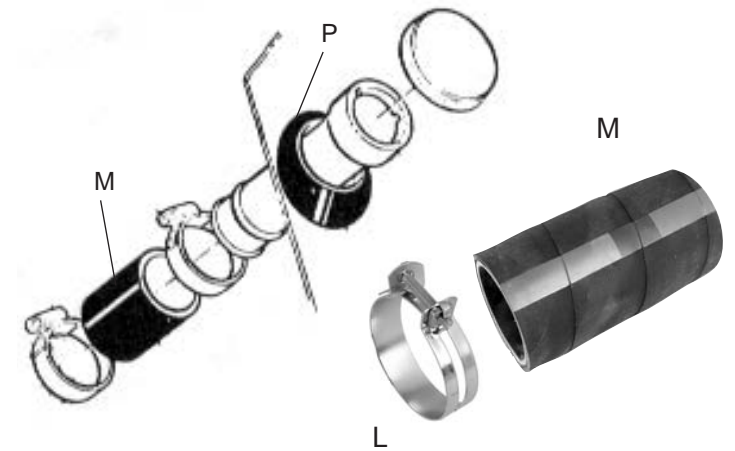
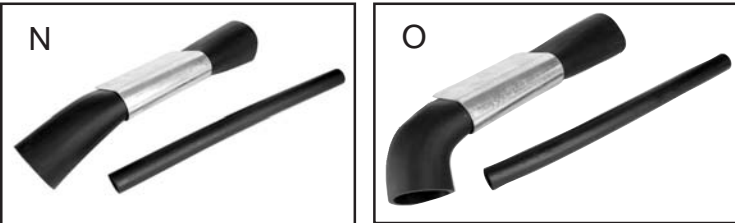


GAS TANK

1967-79 Truck
Quality Ford Restoration Parts

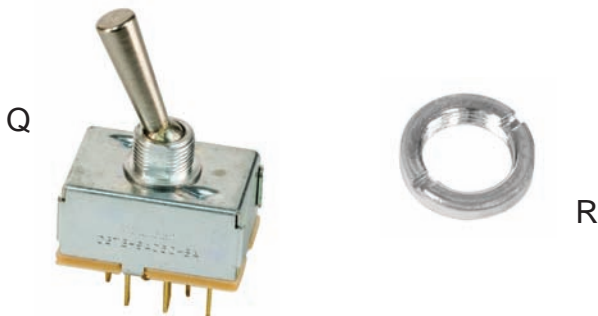
GAS TANK FILLER PIPE PARTS

PART #	PIC	DESCRIPTION	MODEL	YEAR	PRICE
B-8287	(L)	<u>Gas Tank Connection Hose Clamp</u> - need (2) - 2 1/8 O.D.	F100-750	67-72	1.50 ea.
78-9047	(M)	<u>Gas Tank to Filler Pipe Hose</u> - with in cab tank	F100-350	67-77	10.00 ea.
		<u>Gas Tank Filler Hose</u> -w/o emissions hole on tank			
D5TZ-9047-A	(N)	- w/ Aft Axle Tank	F100-350	75-78	50.00 ea.
D5TZ-9047-D	(O)	- w/ Midship Fuel Tank	F100-350	73-78	50.00 ea.
		<u>Gas Tank Neck Grommet</u>			
C7TZ-9080-A		- in Cab Tank	F100-750	67-69	10.00 ea.
D0TZ-9080-B		- in Cab Tank	F100-750	70-72	10.00 ea.
D3TZ-9080-B	(P)	- with in cab tank	F100-500	75-77	Coming
D3TZ-9080-B	(P)	- with in cab tank	F250-350	73-74	Coming
D7TZ-9080-A		- For single or duel tanks	F100/350	77-79	15.00 ea.
D0TZ-9080-A		<u>Gas Tank Neck Grommet</u> - Style Side - w/ 25 gal. auxiliary - under cab fuel tank	F100-250	70-72	12.00 ea.



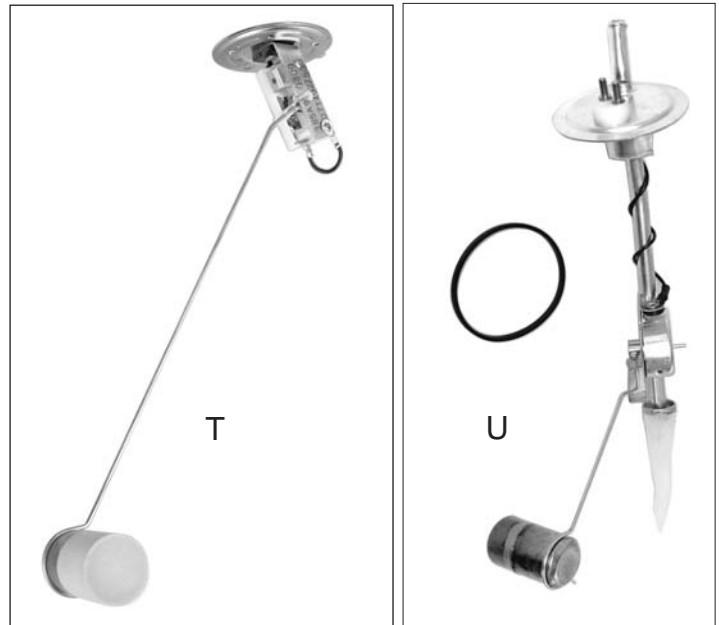
GAS TANK SELECTOR PARTS

PART #	PIC	DESCRIPTION	MODEL	YEAR	PRICE
		<u>Gas Tank Selector Parts</u>			
D3TZ-9A050-B	(Q)	- Aux. Fuel Tank Switch	F100-1100	67-72	25.00 ea.
C1TZ-9A389-A	(R)	- Gas Aux. Switch Bezel Nut	F100-750	70-72	7.50 ea.

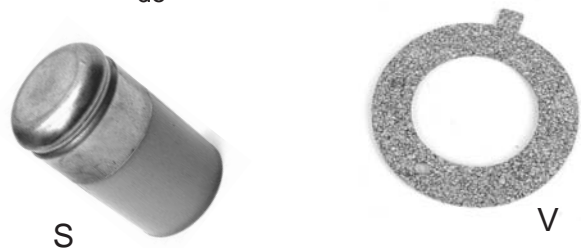


GAS TANK SENDING UNIT

PART #	PIC	DESCRIPTION	MODEL	YEAR	PRICE
68-9275-S	(S)	<u>Gas Tank Sending Unit Float</u> - New Solid Design	F100-350	48-79	5.00 ea.
C1TZ-9275-K	(T)	<u>Gas Tank Sending Unit</u> - w/ In Cab Tank w/Gasket & Float	F100-500 F100-750	73-77 67-72	50.00 ea.
D7TZ-9275-D	(U)	<u>Gas Tank Sending Unit</u> w/ Aft Steel Tank - ID #D3TF-AA, D7TF-DA - w/ Gasket & Float	F100-350	73-79	75.00 ea.
D1FZ-9A011-A		<u>Gas Tank Sending Unit Sock Filter</u> - 5/16" hole		62-up	10.00 ea.
D1AZ-9A011-A		<u>Gas Tank Sending Unit Sock Filter</u> - 3/8" hole		62-up	10.00 ea.
C1TF-9276-B	(V)	<u>Gas Tank Sending Unit Gasket</u> - 2 11/16" dia, 3/16" dis 5 holes w/ in cab tank	F100-350	61-77	3.00 ea.



Special Design Float
Will never leak
as originals
do



FUEL PUMP FILTER ASSEMBLY

PART #	PIC	DESCRIPTION	MODEL	YEAR	PRICE
Used on pumps w/ filter screwed to bottom of fuel pump					
C3AZ-9355-A	(A)	<u>Fuel Filter Pump Bowl</u> - w/ Motorcraft script	ALL	67-77	25.00 ea.
C3AZ-9355-P		- w/o script	ALL	67-77	10.00 ea.
C4AZ-9365-A	(B)	<u>Fuel Pump Filter</u>	ALL	67-77	5.00 ea.



A



B

EXHAUST RECIRCULATION VACUUM VALVE

PART #	PIC	DESCRIPTION	MODEL	YEAR	PRICE
D8TZ-9F424-A		<u>Exhaust Gas Recirculation Vacuum Load Control Valve</u> w/300 6 cyl.	F250-350	78-79	35.00 ea.



FUEL PUMP - 6 CYLINDER

PART #	PIC	DESCRIPTION	MODEL	YEAR	PRICE
C3AZ-9350-V		- w/ in Cab Tank - 6 cyl. 240	F100	74	65.00 ea.
		- w/ in Cab Tank - 6 cyl. 300	F100-250	74-76	
		- w/ in Cab Tank - 6 cyl. 300	F100-350	77	
C3AZ-9350-Y		<u>Fuel Pump & Filter Assy.</u> - 6 cylinder - 240, 300	F100-350	67-72	60.00 ea.
D7TZ-9350-D		- 6 cyl. w/300	F100-350	77-79	25.00 ea.

FUEL PUMP - 8 CYLINDER

PART #	PIC	DESCRIPTION	MODEL	YEAR	PRICE
C50Z-9350-A	(C)	<u>Fuel Pump & Filter Assy.</u> - 8 cylinder - 302		69	60.00 ea.
D0TZ-9350-A		- 8 cylinder - 360, 390		70-72	40.00 ea.
D4TZ-9350-B		- 8 cyl. 360 & 390 - w/ in Cab Tank	F100-250	73-76	30.00 ea.



C

CARBURETOR REPAIR KITS

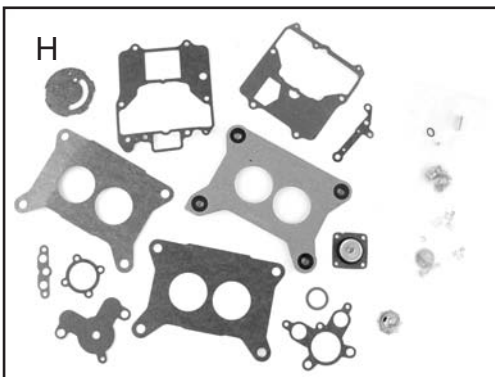
PART #	PIC	DESCRIPTION	MODEL	YEAR	PRICE
C80Z-9A586-D		- Ford - 6 cylinder - 240,300		67-72	25.00 ea.
D0DB-9A586-B		- Carter - 6 cylinder - 240,300		67-72	18.00 ea.
D0DZ-9A586-B	(F)	- Carter - 6 cyl. 240, 300		73-78	18.00 ea.
C20Z-9590	(G)	- Ford - 8 cyl. 2-barrel - Model 2100		67-75	19.50 ea.
D9PZ-9A586-N	(H)	- Ford - 8 cyl. 2-barrel - Model 2150		74-79	24.00 ea.



F



G



H

CARBURETOR RELATED PARTS

PART #	PIC	DESCRIPTION	MODEL	YEAR	PRICE
C4TZ-9D563-A	(E)	<u>Choke Plate Adjusting Swivel</u> - 352 V8	F100-350	65-72	5.00 ea.



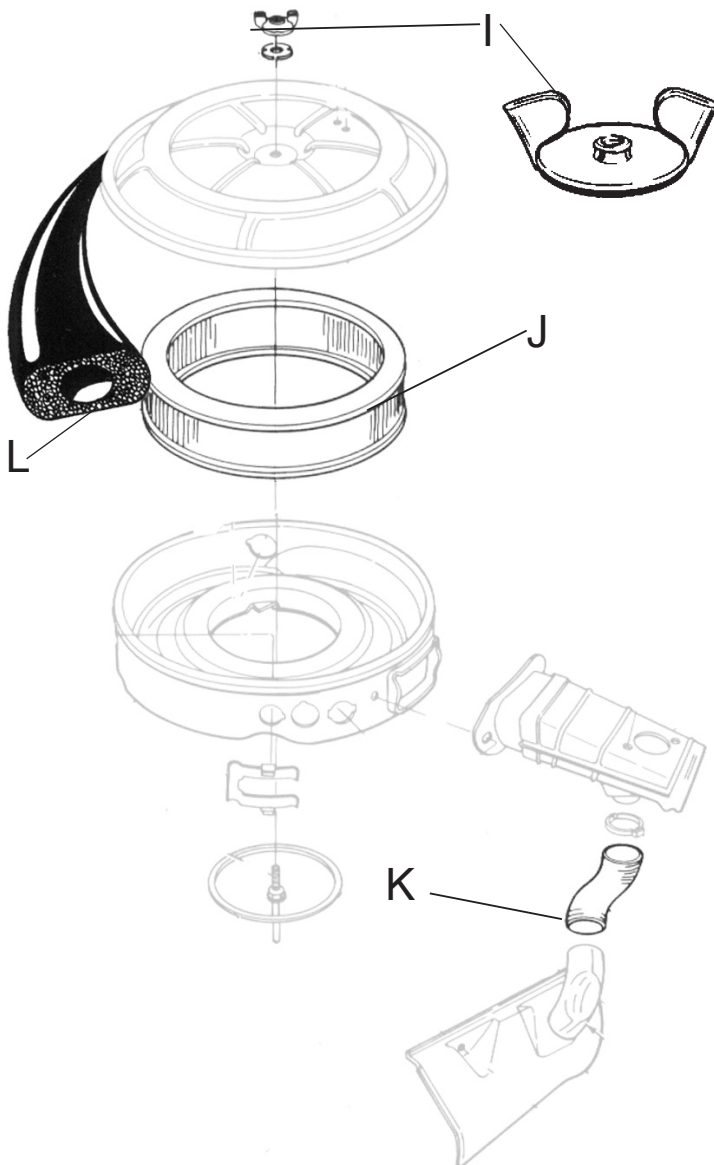
E

AIR CLEANER

1967-79 Truck
Quality Ford Restoration Parts

AIR CLEANER

PART #	PIC	DESCRIPTION	MODEL	YEAR	PRICE
358871-S	(I)	<u>Air Cleaner Wing Nut</u> - 1/4" x20 thread - Fits: All that use wing nut	ALL	67-79	2.00 ea.
C3AZ-9601-B	(J)	<u>Air Cleaner Filter - 8 cyl. 352</u> - 9 3/4" ODx 7 1/4" ID x2 3/8 HT	F100-350	65-67	12.00 ea.
		<u>Carburetor Air Cleaner Element</u>			
D2AZ-9601-A	(J)	- 8 cyl. 302 - 8 cyl. 351 & 400	F100 F100-150	72-78 72-78	7.50 ea.
C9UZ-9652-A	(K)	<u>Carburetor Air Cleaner Intake Tube -2" I.D.x 18" long</u>	F100-350	73-79	20.00 ea.
C8AZ-9673	(L)	<u>Air Cleaner Top Cover Seal - cut to fit</u>	F100-350	68-79	4.00 ea.



CHOKE CABLE ASSEMBLY

PART #	PIC	DESCRIPTION	MODEL	YEAR	PRICE
C5TZ-9700-L	(M)	<u>Choke Cable & Bezel</u> - Cut to length - No Knob	F100-750	61-69	25.00 ea.
C8UZ-17513-A	(N)	<u>Choke Knob</u>	F100-750	68-72	12.50 ea.

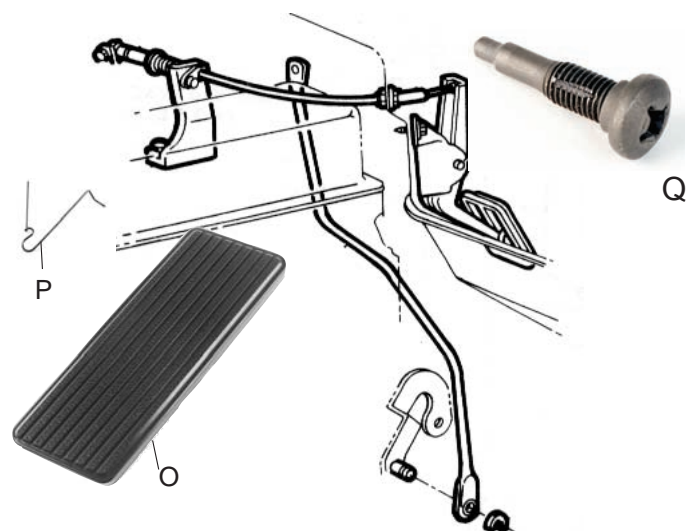


ACCELERATOR CABLES

PART #	PIC	DESCRIPTION	MODEL	YEAR	PRICE
		<u>Accelerator Pedal to Carb Throttle Cable Assembly</u>			
D7TZ-9A758-A		- w/300 6 cyl. -24" L	F100-350	74-79	85.00 ea.
D9TZ-9A758-A		- w/302,351M,400M,V8 -13.5" L	F100-350	79	30.00 ea.

ACCELERATOR PEDAL

PART #	PIC	DESCRIPTION	MODEL	YEAR	PRICE
D4TZ-9725-AA		<u>Accelerator Swivel & Bracket Assembly</u>	F350-500	73-77	20.00 ea.
C5ZZ-9735-R	(O)	<u>Accelerator Pedal</u> - before ser#P60,001	F100-350	67-72	10.00 ea.
C80Z-9735-B	(O)	F100-350	73-79	12.50 ea.
	(P)	<u>Accelerator Pedal to Shaft Spring</u>			
C5ZZ-9760-B		- before Serial #P60,001	F100-350	67-72	3.00 ea.
D3TZ-9760-C		- after Serial #P60-001	F100-350	72-74	36.00 ea.
D3TZ-9760-C		F100-350	78-79	36.00 ea.
380503-S	(Q)	<u>Accelerator Pedal to Shaft Screw</u>	F100-350	67-72	5.00 ea.



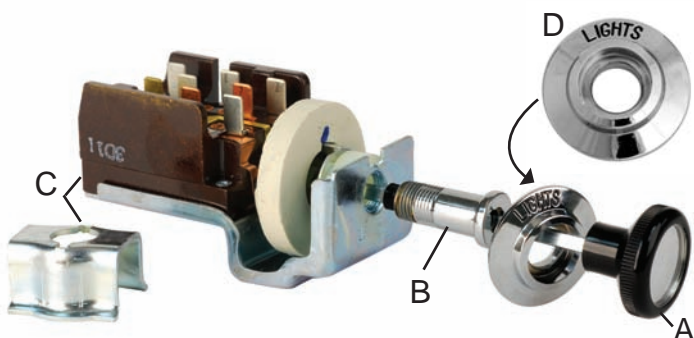
**TRUCK
DASH**

Truck Dash illustration is for reference only and not meant to be exact of all make & models.



HEADLIGHT SWITCH 67-72

PART #	PIC	DESCRIPTION	MODEL	YEAR	PRICE
C8TZ-11661-A	(A)	Headlight Knob & Shaft - Black - Lenth of Shaft - 3 7/32"	F100-750	68-72	10.00 ea.
C3TZ-11650-A	(B)	Light Switch to Instrument Panel Nut	F100-750	65-72	10.00 ea.
D3ZZ-11654-A	(C)	Headlight Switch Before Serial # C25,000	F100-350	67-76	50.00 ea.
C1TF-10852-C	(D)	"Head Lamp"	F100-350	67-72	15.00 ea.



CIGAR LIGHTER PARTS

PART #	PIC	DESCRIPTION	MODEL	YEAR	PRICE
D3TZ-15055-B		Cigar Lighter Socket & Retainer	F100-350	67-79	5.00 ea.
D3TZ-15A044-A	(H)	Cigar Lighter Kit - Knob, Element, Well & Bezel - Dash Mount	F500-750	67-79	25.00 kit



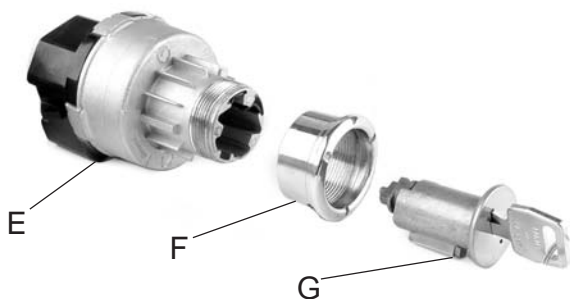
INSTRUMENT PANEL LAMP & BULB

PART #	PIC	DESCRIPTION	MODEL	YEAR	PRICE
C80Z-13711-A	(I)	Instrument Panel Lamp Socket Assy. Takes 6	F100-350	68-79	2.00 ea.
C2AZ-13466-C	(J)	194 Bulb - Instrument Panel & Side Marker Lamp	F100-350	68-79	1.50 ea.



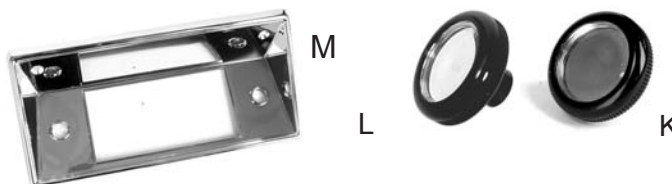
IGNITION SWITCH 67-72

PART #	PIC	DESCRIPTION	MODEL	YEAR	PRICE
C5AZ-11572-B		Ignition Switch Housing Assy.	F100-750	67	30.00 ea.
D1AZ-11572-C	(E)	Ignition Switch Housing Assy. - before ser#G90,001	F100-750	68-78	25.00 ea.
D0TZ-11572-A		- from ser#G90,001	F100-350	70-76	34.00 ea.
C60Z-11584-A	(F)	Ignition Switch Bezel	F100-500	67-79	20.00 ea.
C9AZ-11582-A	(G)	Ignition Cylinder & Key Assy. Before Serial # CA0,001	F100-500	67-78	20.00 ea.



RADIO BEZEL AND DASH KNOBS

PART #	PIC	DESCRIPTION	MODEL	YEAR	PRICE
C8TZ-18817-A	(K)	Radio Knob - 2 per truck - for Split Shaft	F100-750	68-72	12.50 ea.
C8TZ-18817-B	(L)	- for "D" Shaft	F100-750	68-72	12.50 ea.
D1TZ-18842-A	(M)	Radio Bezel - For Original Radios - Die Cast Chrome	F100-350	68-72	75.00 ea.



BRAKE WARNING LIGHT

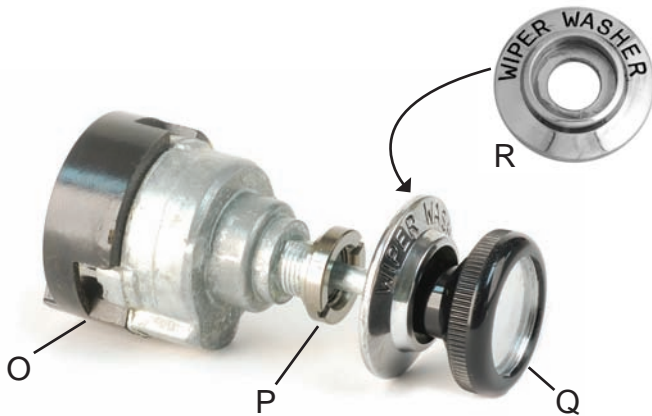
PART #	PIC	DESCRIPTION	MODEL	YEAR	PRICE
D5TZ-10A840-A	(N)	<u>Brake Warning Lamp Bezel</u> on Dash w/ Red Lens	F350	67-76	25.00 ea.



N

WIPER SWITCH - 67-72

PART #	PIC	DESCRIPTION	MODEL	YEAR	PRICE
C8UZ-17A553-A	(O)	<u>Windshield Wiper & Washer Switch</u> - for 2-spd Electric Motor	F100-750	68-72	30.00 ea.
D3TZ-17512-A	(P)	<u>Windshield Wiper Switch Control Nut</u> - Regular	F100-350	67-79	8.00 ea.
D7TZ-17512-A	(P)	- Chrome	F100-350	67-79	8.00 ea.
C8UZ-17513-A	(Q)	<u>Wiper Knob</u> - Can also be used on Emergency Flasher, Choke Knobs	F100-750	68-72	12.50 ea.
D0TZ-10852-A	(R)	"Wiper Washer"	F100-350	67-72	15.00 ea.



DASH BEZELS

PART #	PIC	DESCRIPTION	MODEL	YEAR	PRICE
C8TZ-10852-A	(S)	"Cargo"	F100-350	68-72	15.00 ea.
C8TZ-10852-B	(T)	"Aux. Fuel"	F100-350	67-72	15.00 ea.



T



S

Compare Our Quality **TRIPLE CHROME, LASTS LONGER**

ASHTRAY DOOR BUMPERS

PART #	PIC	DESCRIPTION	YEAR	PRICE
359422-S		Ashtray Door Bumpers	67-72	2.00 pr.



INSTRUMENT CLUSTER VOLTAGE REGULATOR

PART #	PIC	DESCRIPTION	MODEL	YEAR	PRICE
Controls Voltage to Gas and Temperature Gauge					
C6DZ-10804-A	(U)	F100-750	67-69	35.00 ea.
C9AZ-10804-A		F100-750	70	85.00 ea.
D1AZ-10804-A		F100-350	71-72	15.00 ea.



U

FLASHER SWITCH

PART #	PIC	DESCRIPTION	MODEL	YEAR	PRICE
D3BZ-13A350-A	(V)	Emergency Flasher Switch	F100-350	70-72	20.00 ea.
D0TZ-15C580-A	(W)	Emergency Flasher Bezel - Mounts on Dash	F100-350	68-72	15.00 ea.



V



W

INSTRUMENT CLUSTER BEZELS

PART #	PIC	DESCRIPTION	MODEL	YEAR	PRICE
C7TZ-10880-B	(X)	<u>Instrument Cluster Lens</u> - in plastic - #I.D. C7TF-10B885-A	F100-350	67-72	25.00 ea.
C9TZ-10876-A	(Y)	<u>Instrument Cluster Bezel</u> - Black & Chrome - (except Ranger)	F100-350	67-72	125.00 ea.
D0TZ-10876-A	(Z)	<u>Instrument Cluster Bezel</u> - Black, Chrome, Woodgrain - w/ Ranger package	F100-350	69-72	150.00 ea.

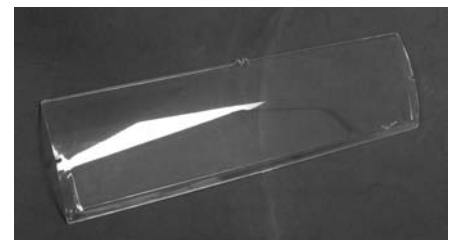


Y

Z



Made in USA



X

**TRUCK
DASH**

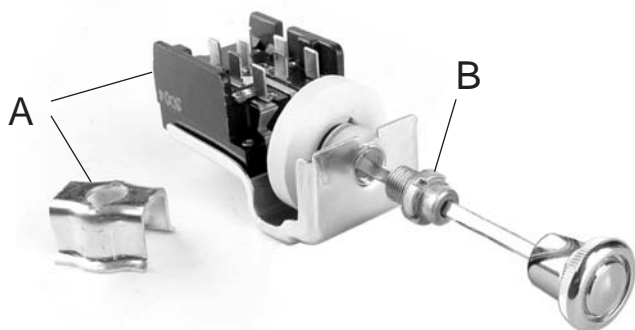
Truck Dash illustration is for reference only and not meant to be exact of all make & models.



HEADLIGHT SWITCH

73-79

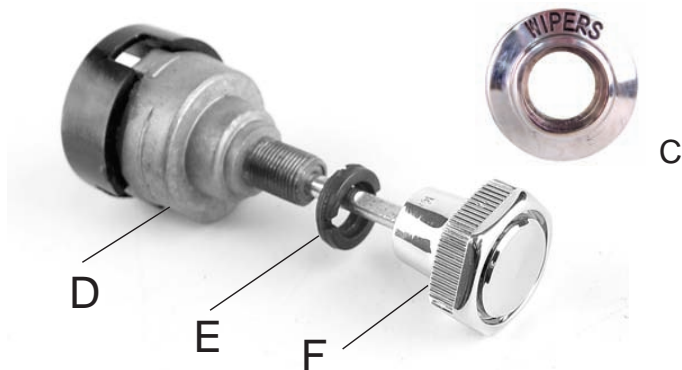
PART #	PIC	DESCRIPTION	MODEL	YEAR	PRICE
D3ZZ-11654-A	(A)	Headlight Switch Before Serial # C25,000	F100-350	67-76	50.00 ea.
D7TZ-11654-A		From Serial # C25,000	F100-350	76-77	30.00 ea.
D3AZ-11654-A		Headlight Switch	F100-350	78-79	45.00 ea.
D3TZ-11650-A	(B)	Headlight Bezel Nut	F100-350	73-79	10.00 ea.
D3TZ-11661-A		Headlight Switch Knob & Shaft - Plastic Knob - Chrome & Black	F100-350	73-75	15.00 ea.
D4FZ-11661-A		- Chrome	F100-350	75-79	15.00 ea.



WIPER SWITCH

73-79

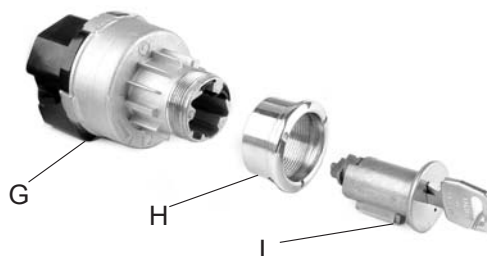
PART #	PIC	DESCRIPTION	MODEL	YEAR	PRICE
	(D)	Windshield Wiper & Washer Switch - w/o intermittent wipers	F100-350	73-79	80.00 ea.
D00Z-17A553-A			F100-350	73-79	80.00 ea.
D3TZ-17512-A	(E)	Windshield Wiper Switch Control Nut	F100-350	73-79	8.00 ea.
D30Z-17513-B	(F)	Wiper Switch Knob	F100-350	73-79	10.00 ea.
C1TF-10852-D	(C)	Wiper Switch Bezel	F100	73-77	15.00 ea.



IGNITION SWITCH

73-79

PART #	PIC	DESCRIPTION	MODEL	YEAR	PRICE
		Ignition Switch Housing Assy. - before ser#G90,001	F100-750	68-78	25.00 ea.
D1AZ-11572-C		- from ser#G90,001	F100-350	70-76	34.00 ea.
D0TZ-11572-A			F100-350	70-76	34.00 ea.
D8TZ-11572-A	(G)	Ignition Switch Housing Assy.	F100-350	78-79	52.50 ea.
C60Z-11584-A	(H)	Ignition Switch Bezel	F100-500	67-79	20.00 ea.
C9AZ-11582-A	(I)	Ignition Cylinder & Key Assy. Before Serial # CA0,001	F100-500	67-78	20.00 ea.
D8TZ-11582-A		Ignition Cylinder & Key Assy. From Serial # CA0,001	F100-350	78-79	20.00 ea.



CIGAR LIGHTER PARTS

73-79

PART #	PIC	DESCRIPTION	MODEL	YEAR	PRICE
D3TZ-15055-B		Cigar Lighter Socket & Retainer	F100-350	67-79	5.00 ea.
D3TZ-15A044-A	(K)	Cigar Lighter Kit - Knob, Element, Well & Bezel - Dash Mount	F500-750	67-79	25.00 kit



73-79 INSTRUMENT PANEL

1967-79 Truck
Quality Ford Restoration Parts

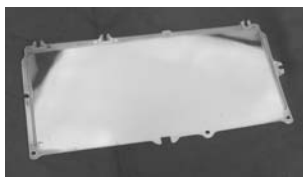
BRAKE WARNING LIGHT

PART #	PIC	DESCRIPTION	MODEL	YEAR	PRICE
D5TZ-10A840-A	(L)	Brake Warning Lamp Bezel on Dash w/ Red Lens	F350	67-76	25.00 ea.



INSTRUMENT CLUSTER PARTS

PART #	PIC	DESCRIPTION	MODEL	YEAR	PRICE
D3TZ-10848-A	(M)	Instrument Cluster Backing Plate for Gauges	F100-350	73-74	67.50 ea.
E1PZ-10848-A	(M)	Instrument Cluster Backing Plate for Gauges	F100-350	75-79	67.50 ea.
E1PZ-10848-B	(M)	Instrument Cluster Backing Plate for warning lights	F100-350	76-79	67.50 ea.
D4TZ-10848-A	(M)	Instrument Cluster Backing Plate for warning lights	F100-350	73-75	67.50 ea.
D1AZ-10804-A	(N)	Instrument Cluster Voltage Regulator - Genuine Ford	F100-350	73-79	15.00 ea.
D3TZ-10880-A	(O)	Instrument Cluster Lens - Clear Plastic	F100-350	73-79	25.00 ea.
C9ZZ-10C914-A	(P)	Instrument Gauge Insulator - takes (2) or (4)		73-79	5.00 ea.



Original Lens are usually scratched and dull.



Original backing plates are usually very brittle from age & break around the light bulbs.



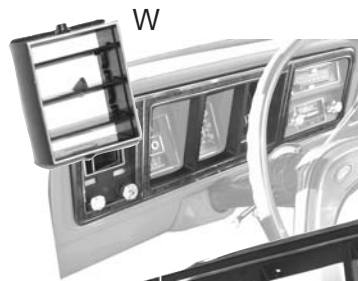
INSTRUMENT PANEL LAMP & BULB

PART #	PIC	DESCRIPTION	MODEL	YEAR	PRICE
C80Z-13711-A	(Q)	Instrument Panel Lamp Socket Assy. - Takes 6	F100-350	68-79	2.00 ea.
C2AZ-13466-C	(R)	#194 Bulb - Instrument Panel & Side Marker Lamp	F100-350	68-79	1.50 ea.

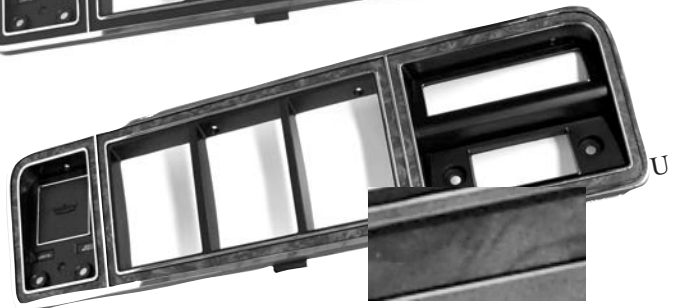
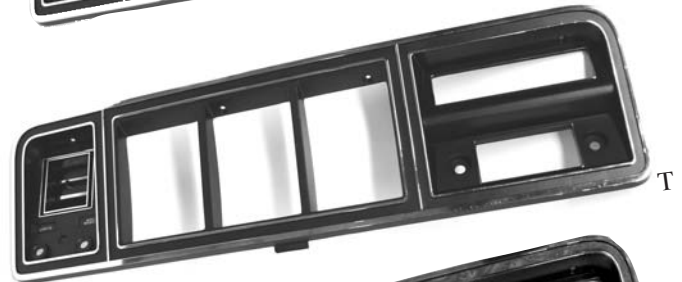
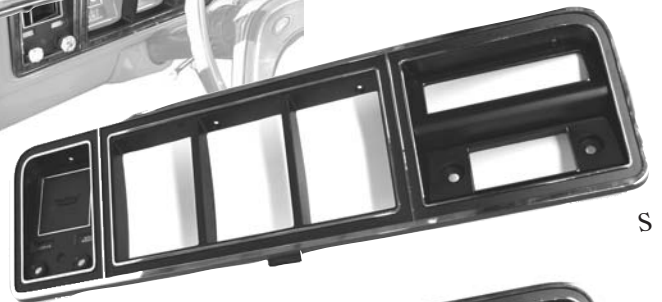


DASH PANEL BEZELS

PART #	PIC	DESCRIPTION	MODEL	YEAR	PRICE
		Dash Panel Bezel Painted Finish GENUINE FORD w/ Radio from 7-5-78			
D8TZ-10044D70-A	(S)	- w/o integral A/C	F100/350	73-79	100.00 ea.
D8TZ-10044D70-B	(T)	- w/ integral A/C	F100/350	73-79	120.00 ea.
		Dash Panel Bezel w/ Woodgrain Finish			
D8TZ-10044D70-C	(U)	- w/ Radio, w/o A/C	F100/350	73-79	135.00 ea.
D8TZ-10044D70-D	(V)	- w/ Radio & A/C	F100/350	73-79	150.00 ea.
D3TZ-19893-C	(W)	A/C Register - LH - w/ Factory A/C	F100-350	73-79	35.00 ea.

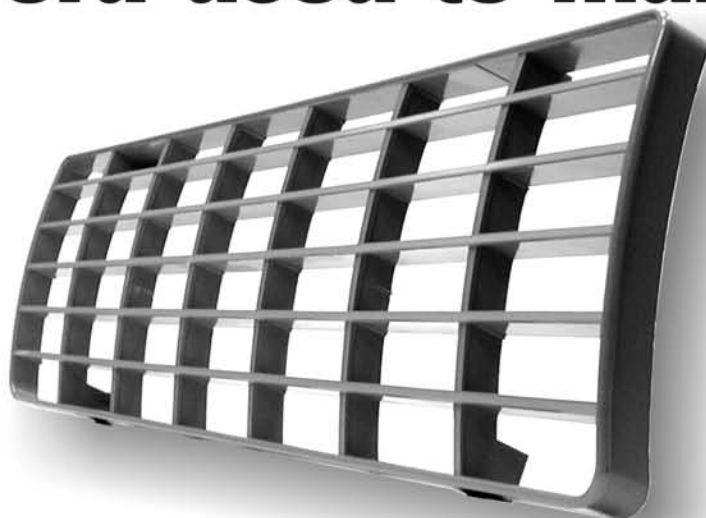


Compare Our Quality MADE IN THE U.S.A.

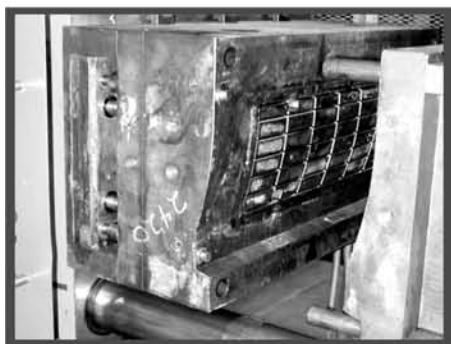


Classic Parts From Original Tooling Perfect Fit and Finish

Ford used to make it



now we make it using the ORIGINAL Ford mold.



Pictured above is what is known as an injection mold. This particular 2 piece mold is used to make our 1970 F100/350 grille inserts and was once used by the Ford Motor Company to produce the grilles for their then new 1970 trucks. This plastic injection mold weighs in excess of 4,000 lbs. and is shown mounted in our 300 ton injection molding machine, a piece of equipment the size of a bus which is required to hold tooling of this size.

The picture shows the mold in it's open position and the grille texture can clearly be seen in the surface of the tooling.

Molten ABS plastic heated to approximately 450 degrees is injected under pressure (1,100 p.s.i.) into the closed mold. The injected plastic is cooled for 50 seconds which causes it to solidify and allow the part to maintain it's shape as it is pulled from the mold. In this case Ford designed their 1970 trucks to use only one symmetrical piece to serve as both grille inserts so left and right tooling was not necessary.

As each grille insert is pulled from the mold a slight amount of grooming is necessary in order to remove the small bits of unwanted plastic or flash from the part. After the inspection process has been completed the grilles are then sent to an outside source to have an exterior finish applied of either Ford Bright Silver paint or chrome plating.

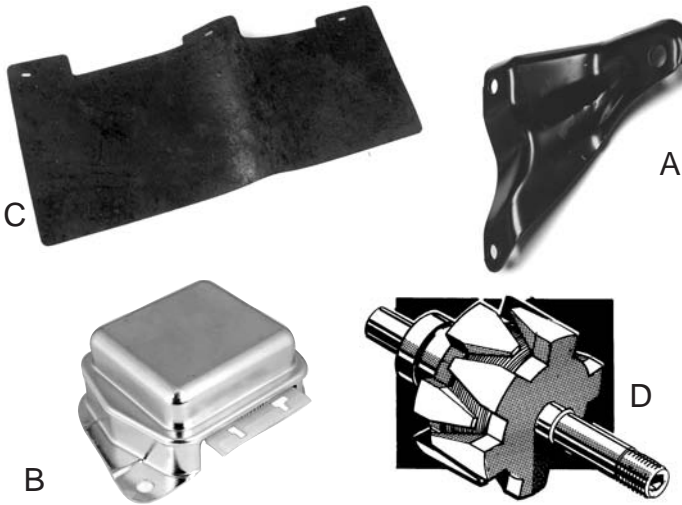


Dennis Carpenter Ford Reproductions is licensed by The Ford Motor Company to manufacture and distribute trademark Ford restoration parts.

www.dennis-carpenter.com

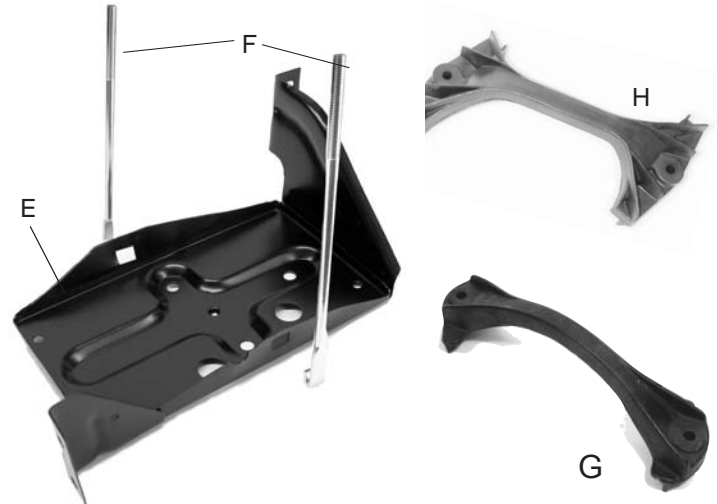
ALTERNATOR RELATED PARTS

PART #	PIC	DESCRIPTION	MODEL	YEAR	PRICE
DOOZ-10156-A D4AZ-10156-A	(A)	<u>Alternator Bracket</u> - for 302, 351W, 351C V8 - 302 V8	F100-250	70-72 74-79	20.00 ea. 10.00 ea.
C3SZ-10316-B	(B)	<u>Alternator Regulator</u> - Except Transistorized	Truck	67-79	38.00 ea.
D7TZ-10317-C	(C)	<u>Alternator Splash Shield</u> - 3 hole mount on RH Inner Fender	F100-350	75-78	17.50 ea.
C5DZ-10335-A	(D)	<u>Alternator Rotor Assy.</u> Fits: Motorcraft alternators 38,40,42,45,55,60,61,65 amp	Truck	65-79	25.00 ea.



BATTERY TRAY PARTS

PART #	PIC	DESCRIPTION	MODEL	YEAR	PRICE
C7TZ-10A691-A		<u>Battery Hold Down Side Brackets</u>	F100-350	67-74	10.00 ea.
C7TZ-10732-J	(E)	<u>Battery Tray - RH</u>	F100-350	67-79	35.00 ea.
D0AZ-10756-A D7AZ-10756-A	(F)	<u>Battery Tray Hold Down Bolt</u> - (2) per truck - (2) per truck	F100-350 F100-350	67-76 77-79	6.00 ea. 5.00 ea.
D0DZ-10718-A D4MY-10718-A	(G) (H)	<u>Battery Hold Down Clamp</u> - Black Plastic - Black Plastic	F100-350 F100-350	67-72 73-79	10.00 ea. 12.50 ea.



STARTER SOLENOID & TEMP. SENDING UNIT

PART #	PIC	DESCRIPTION	MODEL	YEAR	PRICE
B6A-11450-A B6AZ-11450-A	(I)	<u>Starter Solenoid Before</u> <u>Serial # BE0.001</u> - Aftermarket - Motorcraft - Genuine Ford	F100/500 F100/500	67-79 78-79	14.00 ea. 25.00 ea.



**DISTRIBUTOR PARTS - 1967-69
- 6 Cylinder 240 & 300 Distributors**

PART #	PIC	DESCRIPTION	MODEL	YEAR	PRICE
FOR DISTRIBUTORS NUMBERED: C5TF-AC, C5AZ-AD, C5UF-G, C5UF-L, C6UF-F, C6TF-AM, C6TF-AC, C6TF-AN, C5AF-AE, C6AF-Y					
A7A-12000-B		<u>Ignition Tune-Up Kit</u> - 6 cylinder - Includes: points, condenser, rotor - 240, 300		67-69	10.00 ea.
FAA-12171-A		<u>Ignition Points</u> - 6 cylinder	240, 300	67-69	4.00 ea.
FAB-12300-A		<u>Ignition Condenser</u>	240, 300	67-69	6.00 ea.
FAA-12200-B		<u>Ignition Rotor</u> - 6 cylinder	240, 300	67-69	3.00 ea.
7HA-12106		<u>Distributor Cap</u> - 6 cylinder	240, 300	67-69	15.00 ea.
C0DF-12216-A		<u>Distributor Primary Lead Wire</u> - 6 cylinder	240, 300	67-69	13.00 ea.
7RA-12264		<u>Distributor Ground Lead</u> - 6 cylinder	240, 300	67-69	3.00 ea.

**DISTRIBUTOR PARTS - 1969-72
- 6 Cylinder 240 & 300 Distributors**

PART #	PIC	DESCRIPTION	MODEL	YEAR	PRICE
(EXCEPT FOR DISTRIBUTORS NUMBERED: C5TF-AC, C5AZ-AD, C5UF-G, C5UF-L, C6UF-F, C6TF-AM, C6TF-AC, C6TF-AN, C5AF-AE, C6AF-Y)					
C5AZ-12000-D		<u>Ignition Tune-Up</u> 6 cylinder - Includes: points, condenser, rotor	240, 300	69-72	20.00 ea.
FAA-12171-A		<u>Ignition Points</u> - 6 cylinder	240, 300	69-72	4.00 ea.
B9AZ-12300-A		<u>Ignition Condenser</u> - 6 cylinder	240, 300	69-72	6.00 ea.
C5TZ-12200-A		<u>Ignition Rotor</u> - 6 cylinder	240, 300	69-72	2.50 ea.
7HA-12106		<u>Distributor Cap</u> - 6 cylinder	240, 300	67-72	15.00 ea.

**DISTRIBUTOR PARTS - 1973-75
- 6 Cylinder 240 & 300 Distributors**

PART #	PIC	DESCRIPTION	MODEL	YEAR	PRICE
<u>WITHOUT TRANSISTORIZED IGNITION</u>					
C5AZ-12000-D		<u>Ignition Tune-Up Kit</u> - 6 cylinder Includes: Points, Condenser & Rotor	240 & 300	73-75	20.00 ea.
FAA-12171-A		<u>Ignition Points</u> - 6 cylinder	240 & 300	73-75	4.00 ea.
B9AZ-12300-A		<u>Ignition Condenser</u> - 6 cylinder	240 & 300	73-75	6.00 ea.
C5TZ-12200-A		<u>Ignition Rotor</u> - 6 cylinder	240 & 300	73-75	2.50 ea.
7HA-12106		<u>Distributor Cap</u> - 6 cylinder	240 & 300	73-75	15.00 ea.
D3TZ-12370-A		<u>Vacuum Advance</u> Fits: 6 cyl. 300 w/ distributor #D3TF-12127-GA or ED-D3TF-12127-GA	F100/350	73-75	20.00 ea.

DISTRIBUTOR - 6 CYL. - 300 - 1974-79

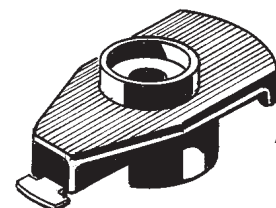
PART #	PIC	DESCRIPTION	MODEL	YEAR	PRICE
<u>WITH TRANSISTORIZED IGNITION</u>					
C5TZ-12200-A		<u>Ignition Rotor</u> - 6 cylinder	300	74-76	2.50 ea.
D7DZ-12200-A		<u>Ignition Rotor</u> - 6 cylinder	300	77-79	2.25 ea.
D5DZ-12106-A		<u>Distributor Cap</u> - 6 cylinder	300	74-76	12.00 ea.
D7DZ-12106-A		<u>Distributor Cap</u> - 6 cylinder	300	77-79	12.00 ea.

DISTRIBUTOR PARTS - 8 CYL. - 1967-74

PART #	PIC	DESCRIPTION	YEAR	PRICE
C0TZ-12000-A	(D)	<u>Ignition Tune-Up Kit</u> - 8 cylinder Includes: Points, Condenser & Rotor	67-74	20.00 ea.
B8Q-12171-A		<u>Ignition Points</u> - 8 cylinder	67-74	10.00 ea.
B9AZ-12300-A		<u>Ignition Condenser</u> - 8 cylinder	67-74	6.00 ea.
B7A-12200	(A)	<u>Ignition Rotor</u> - 8 cylinder	67-74	5.00 ea.
B7A-12106	(B)	<u>Distributor Cap</u> - 8 cylinder	67-74	8.00 ea.
C5AZ-12259-F		<u>Spark Plug Wire Set</u> - 8 cylinder 352, 360, 390 - graphic core	67-71	55.00 ea.
B6A-12297-K		<u>Separator Kit for Spark Plug Wires</u> - 4 pieces - V8	58-up	6.00 ea.
C5AZ-12370-A	(C)	<u>Distributor Vacuum Diaphragm</u> - 8 cyl. Fits distributors w/ these ID numbers; C70F-12127-A-B, C7TF-A-D-F-M, C7ZF-F, C8TF-H-L, C8UF-G-H, C9UF-C-D, D0TF-G-K, D1TF-EA, D1UF-AA	67-72	20.00 ea.
C8AZ-12370-A		<u>Distributor Vacuum Diaphragm</u> - 8 cyl. Fits distributors w/ these ID numbers; C80Z-12127-B, C8TF-G, C8UF-F, C9UF-E, D0TF-F-H-J-L-M, D1TF-DA-GA	67-72	20.00 ea.
C5TZ-12216-A		<u>Distributor Primary Lead Wire</u> - V8 - 19" Long	57-67	5.00 ea.



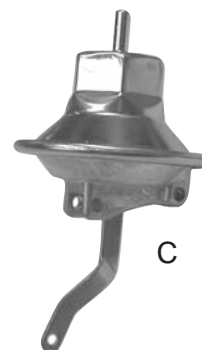
B



A



D



C

**DISTRIBUTOR - 8 CYL. - 74-79
- 302,351,360,390,400,460**

PART #	PIC	DESCRIPTION	MODEL	YEAR	PRICE
<u>WITH TRANSISTORIZED IGNITION</u>					
B7A-12200		<u>Ignition Rotor</u> - 8 cylinder		74-76	5.00 ea.
D7AZ-12200-A		<u>Ignition Rotor</u> - 8 cylinder		77-79	2.50 ea.
B7A-12106		<u>Distributor Cap</u> - Black - 8 cylinder		74-76	8.00 ea.
D5AZ-12106-A		- Grey - 8 cylinder		74-76	12.00 ea.
D7AZ-12106-A		- Blue - 8 cylinder		77-79	15.00 ea.
D7TZ-12370-C		<u>Distributor Vacuum Advance</u> - w/ 302 V8 - U150 - F100-250		75-79	17.50 ea.

IGNITION COIL

IGNITION COIL

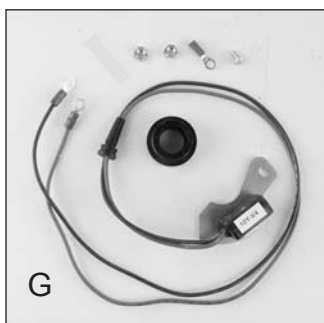
PART #	PIC	DESCRIPTION	MODEL	YEAR	PRICE
B6A-12029	(E)	Replacement - Except transistorized ignition	ALL	67-74	30.00 ea.
B6AZ-12029	(F)	- w/ Mustard Colored Top	ALL	56-74	40.00 ea.



Finally, an exact reproduction of the yellow top coil with a real yellow top, not just painted yellow. EXACT yellow color as the original. Made by a very reputable coil manufacturing company using our tooling. Each one is performance tested on special testing equipment before final packaging.

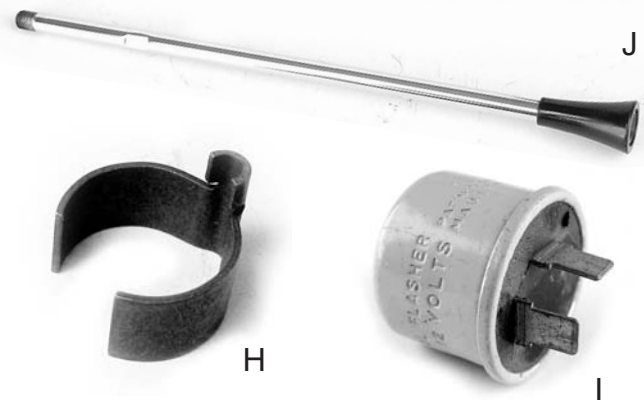
ELECTRONIC IGNITION SYSTEM

PART #	PIC	DESCRIPTION	YEAR	PRICE
NON-RETURNABLE FOR ANY REASON				
	(G)	<u>Solid State Electronic Ignition System</u> - Fits: 6 cyl. 240 & 30 all - 8 cyl. except dual points		
C5AZ-12000-1261			73-74	78.00 ea.
B7A-12000-1281			67-74	80.00 ea.



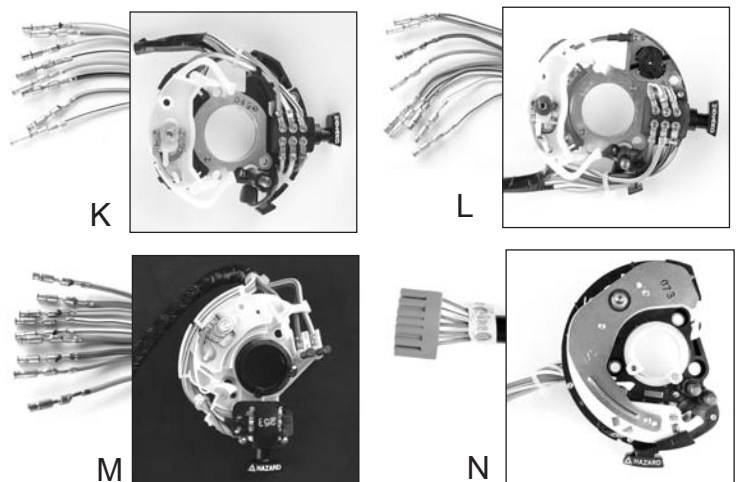
TURN SIGNAL PARTS

PART #	PIC	DESCRIPTION	MODEL	YEAR	PRICE
D3TZ-13305-B	(J)	<u>Turn Signal Lever</u> - Replacement - w/ Black Knob	F100-350	73-79	20.00 ea.
C7TZ-13318-A	(H)	<u>Turn Signal Canceling Cam - Metal</u>	F100-350 F-B500-750 F100-350	68-72 67-70 73-79	10.00 ea.
C6AZ-13350-B	(I)	<u>Turn Signal Flasher</u> - w/ standard equipment	F100-350	73-79	7.00 ea.
C3AZ-13466-1895		<u>Turn Signal Indicator Light Bulb</u>	F100-350	73-76	1.00 ea.



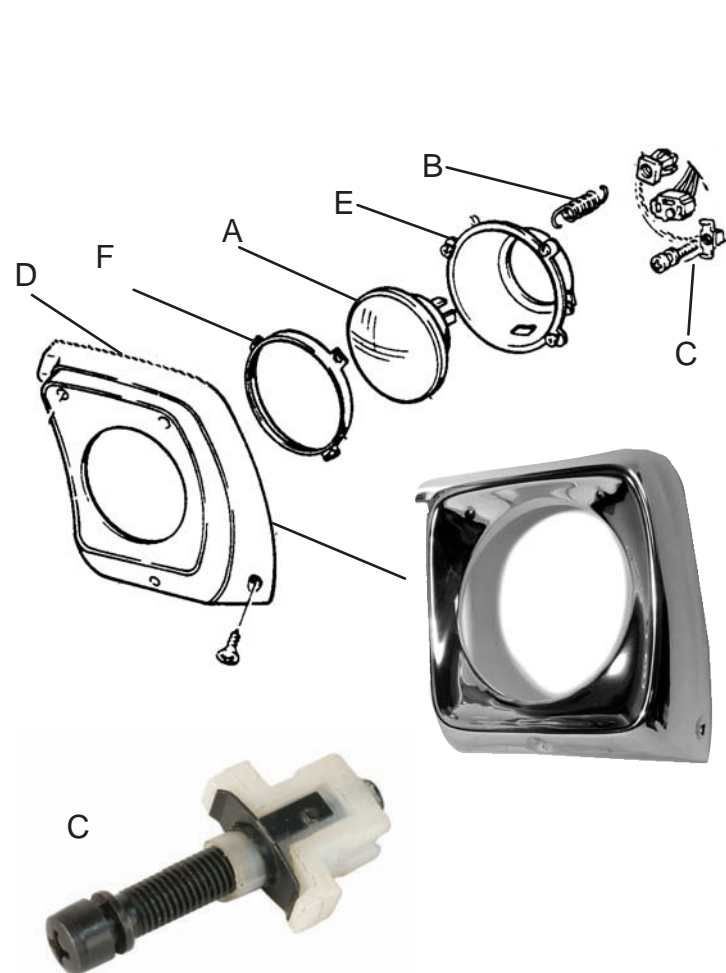
TURN SIGNAL SWITCH

PART #	PIC	DESCRIPTION	MODEL	YEAR	PRICE
C9TZ-13341-C		- Before Ser.#G30,001	F100-350	67-69	30.00 ea.
D0TZ-13341-B		- From Ser.#G30,001	F100-350	69-72	30.00 ea.
D3TZ-13341-A	(K)	- MT	F100-350	73-77	115.00 ea.
D3TZ-13341-B	(L)	- AT - w/o speed control	F100-350	73-77	80.00 ea.
D8TZ-13341-B		- AT - fixed steering column	F100-350	78-79	125.00 ea.



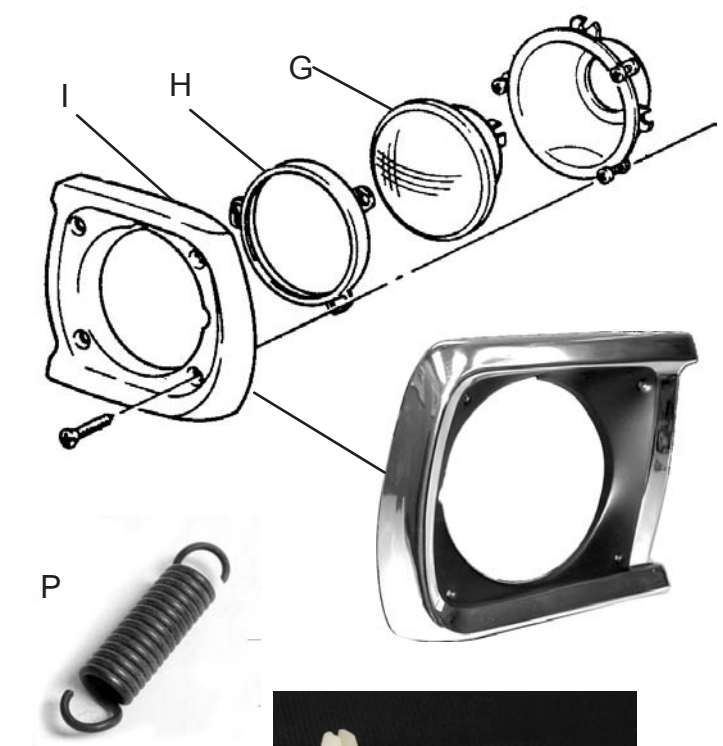
HEADLIGHT - 67-69

PART #	PIC	DESCRIPTION	MODEL	YEAR	PRICE
B6A-13007	(A)	Headlight Bulb - 12 volt		67-72	7.00 ea.
01A-13018-C	(F)	Headlight Bulb Retainer Ring - Stainless		67-72	10.00 ea.
C20Z-13031-A	(B)	Headlight Adjusting Ring Retainer Spring	F100-750	67-72	2.00 ea.
C7TZ-13032-B	(C)	Headlight Adjustment Screw & Clip	F100-750	67-69	3.00 ea.
C7TZ-13064-E C7TZ-13064-F	(D)	Headlight Door - RH - LH - Anodized Aluminum - Custom Cab - Standard Cab - Custom Cab except Ranger - need to paint for 69 Ranger	F100-350	67-68 69 69	65.00 ea. 65.00 ea.
C9TZ-13118-B C9TZ-13119-A	(E)	Headlight Adjusting Ring - Left - Right	F100-750 F100-750	67-69 67-69	25.00 ea. 25.00 ea.



HEADLIGHT - 70-72


PART #	PIC	DESCRIPTION	MODEL	YEAR	PRICE
B6A-13007	(G)	Headlight Bulb - 12 volt		67-72	7.00 ea.
01A-13018-C	(H)	Headlight Bulb Retainer Ring - Stainless		67-72	10.00 ea.
C20Z-13031-A	(P)	Headlight Adjusting Ring Retainer Spring	F-100-750	67-72	2.00 ea.
D0TZ-13064-C	(I)	Headlight Door - Right Side	F-100-350	70-72	65.00 ea.
D0TZ-13064-D	(I)	Headlight Door - Left Side	F-100-350	70-72	65.00 ea.
380442-S 382735-S	(Q) (R)	Headlight Door to Grill Plastic Nuts - set of (4) SHORT - inner - set of (4) LONG - Outer Eash headlight takes 2 long outer bolts and 2 short inner bolts.	F-100-350 F-100-350	70-72 70-72	2.50 set 2.50 set
D0ZZ-13119-A D0ZZ-13118-A		Headlight Bucket - Left - Right	F-100-350 F-100-350	70-77 70-77	30.00 ea. 30.00 ea.

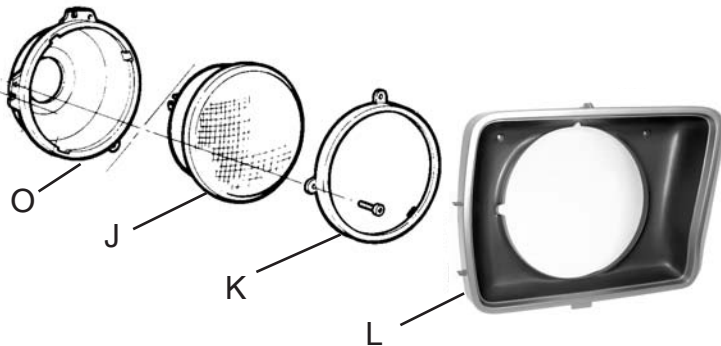


HEADLIGHTS



1967-79 Truck
Quality Ford Restoration Parts

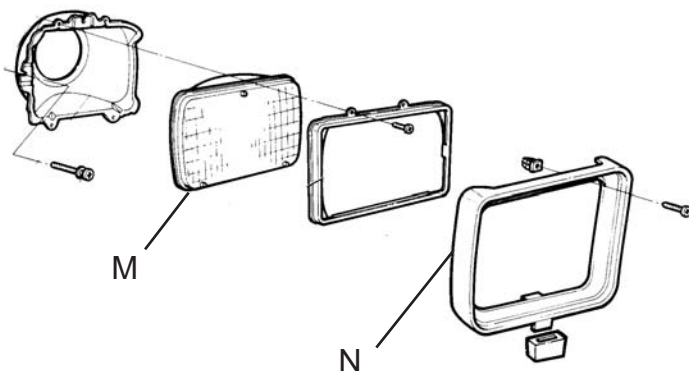
HEADLIGHT - ROUND TYPE - 73-79

PART #	PIC	DESCRIPTION	MODEL	YEAR	PRICE
B6A-13007	(J)	Headlight Bulb - 12 Volt	F100-350	73-78	7.00 ea.
D8TZ-13008-A	(O)	Headlight Bucket - RH	F100-350	78-79	50.00 ea.
01A-13018-C	(K)	Stainless Bulb Retainer Ring	F100-350	73-78	10.00 ea.
 (L)		Headlight Door - Argent			
D8TZ-13064-A	- RH		F100-350	1978	35.00 ea.
D8TZ-13064-B	- LH		F100-350	1978	35.00 ea.



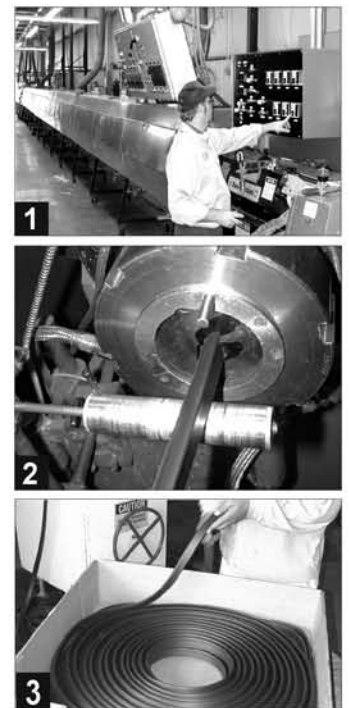
HEADLIGHT - RECTANGULAR TYPE 78-79

PART #	PIC	DESCRIPTION	MODEL	YEAR	PRICE
D8BZ-13007	(M)	Headlight Bulb - 12 Volt	F100-350	78-79	12.00 ea.
 (N)		Headlight Door - Argent			
D8TZ-13064-C	- RH		F100-350	78-79	35.00 ea.
D8TZ-13064-D	- LH		F100-350	78-79	35.00 ea.
 (N)		Headlight Door - Chrome			
D8TZ-13064-E	- RH		F100-350	78-79	35.00 ea.
D8TZ-13064-F	- LH		F100-350	78-79	35.00 ea.



We're quick to point out that quality comes standard in all of our weather stripping!

Our rubber extrusion machine (1) is capable of producing 25,000 feet of sponge rubber weather stripping a day. The molten sponge rubber is injected and pulled through a mold that replicates the cross section shape. (2) Then it's pulled through a curing, cleansing, & cooling bathes. It's later used to produce specific door or trunk weatherstripping.



Compare Our
Quality ✓
MADE IN THE U.S.A.



www.dennis-carpenter.com

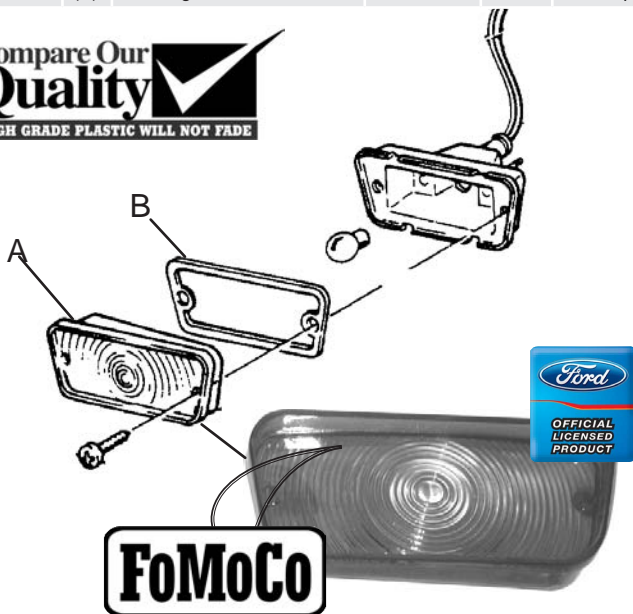
PARK LIGHT LIGHT BULBS - 67-76

PART #	PIC	DESCRIPTION	MODEL	YEAR	PRICE
C3AZ-13466-1157		Front Park Light Bulb -From Serial #C50,001	F100-350	67-76	1.50 ea.
B7A-13466-1157NA		Front Park Light Bulb - Before Serial #C50,001 - amber glass	F100-350	73-76	2.00 ea.

PARK LIGHT PARTS - 67-69

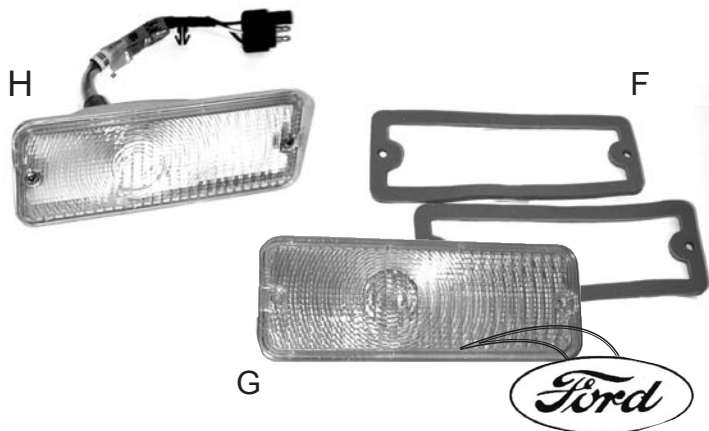
PART #	PIC	DESCRIPTION	MODEL	YEAR	PRICE
(A)		Park Light Lens			
C7TZ-13208-B	- RH		F-100-350	67-69	20.00 ea.
C7TZ-13209-B	- LH		F-100-350	67-69	20.00 ea.
C7TZ-13211-A	(B)	Park Light Lens Gasket	F-100-350	67-69	6.00 pr.

Compare Our Quality
HIGH GRADE PLASTIC WILL NOT FADE



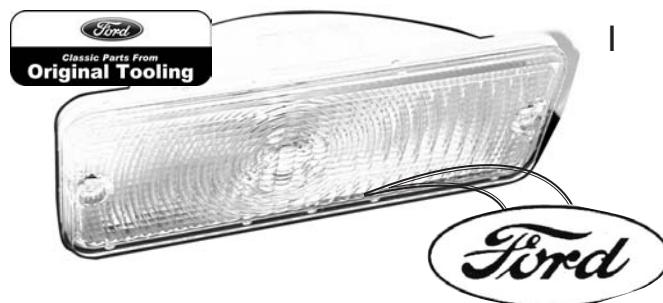
PARK LIGHT - 73-74

PART #	PIC	DESCRIPTION	MODEL	YEAR	PRICE
D3TZ-13211-PR	(F)	Park Light Lens Gasket	F100-350	73-74	8.00 pr.
D3TZ-13208-A	(G)	Park Light Lens - Clear	F100-350	73-74	24.00 ea.
D3TZ-13200-A	(H)	Park Light Lens Assembly - RH or LH - New Old Stock	F100-350	73-74	40.00 ea.



PARK LIGHT ASSEMBLY - 1975-77

PART #	PIC	DESCRIPTION	MODEL	YEAR	PRICE
D5TZ-13200-A	(I)	Park Light Lens Assembly - RH or LH - Clear	F100-350	75-76	35.00 ea.
D6TZ-13200-A		- RH or LH - Amber	F100-350	76-77	35.00 ea.



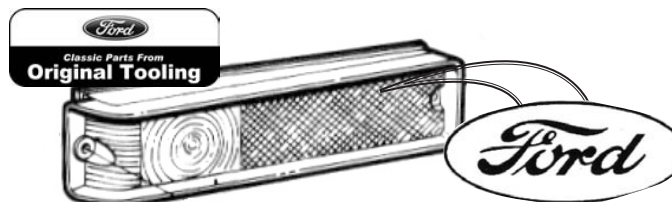
PARKLIGHT - 70-72

PART #	PIC	DESCRIPTION	MODEL	YEAR	PRICE
D0TZ-13200-B	(C)	Park Light Assembly w/ lens & wiring	F-100-350	70-72	60.00 ea.
D0TZ-13201-B		- LH	F-100-350	70-72	60.00 ea.
D0TZ-13208-B	(D)	Park Light Lens - RH	F-100-350	70-72	27.00 ea.
D0TZ-13209-B	(D)	Park Light Lens - LH	F-100-350	70-72	27.00 ea.
D0TZ-13211-A		Park Light Lens Gasket	F-100-350	70-72	6.00 pr.



PARK LIGHT LENS ASSEMBLY - 78-79




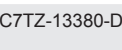

PART #	PIC	DESCRIPTION	MODEL	YEAR	PRICE
D8TZ-13200-A		- RH	F100-350	78-79	50.00 ea.
D8TZ-13201-A		- LH	F100-350	78-79	50.00 ea.

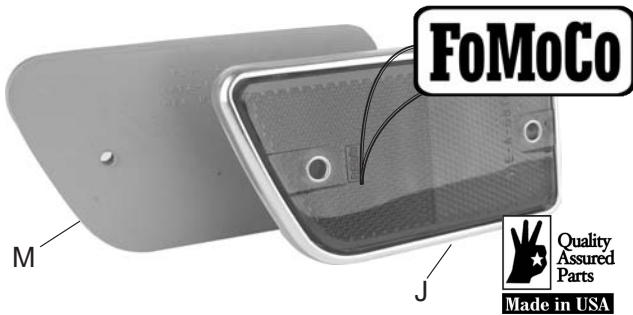


TAILLIGHT

1967-79 Truck
Quality Ford Restoration Parts

REFLECTOR ASSEMBLY

PART #	PIC	DESCRIPTION	MODEL	YEAR	PRICE
					
<u>Reflector Assembly - Red</u>					
- Rear Bed Side - Style Side					
- before ser.#F70,001					
C8TZ-13380-A		- RH only	F100-250	68-69	30.00 ea.
C8TZ-13380-B	(J)	- LH only	F100-250	68-69	30.00 ea.
					
<u>Reflector Assembly - Red</u>					
- Below Taillight - Style side					
D0TZ-13380-A		- RH Only	F100-250	70-72	35.00 ea.
D0TZ-13380-B		- LH Only	F100-250	70-72	35.00 ea.
					
(K) <u>Reflector Assembly - Red</u>					
- Rear of Platform Bed					
- Rear Body Side -Style Side					
- Rear of Bed - Step Side					
- Rear Body Side - Step Side					
C7TZ-13380-C			F350	73-75	25.00 ea.
					
(L) <u>Reflector Assembly - Amber</u>					
Front Fender					
Grille - Right or Left					
Front of Platform - Platform					
Front of Platform Bed					
C8TZ-13380-D			F100-350	67	25.00 ea.
					
<u>Reflector Assembly</u>					
<u>Mounting Pad</u>					
C8TZ-13A493-B		Style-Side Bed - RH	F100-250	68-69	15.00 ea.
C8TZ-13A493-C	(M)	Style-Side Bed - LH	F100-250	68-69	15.00 ea.




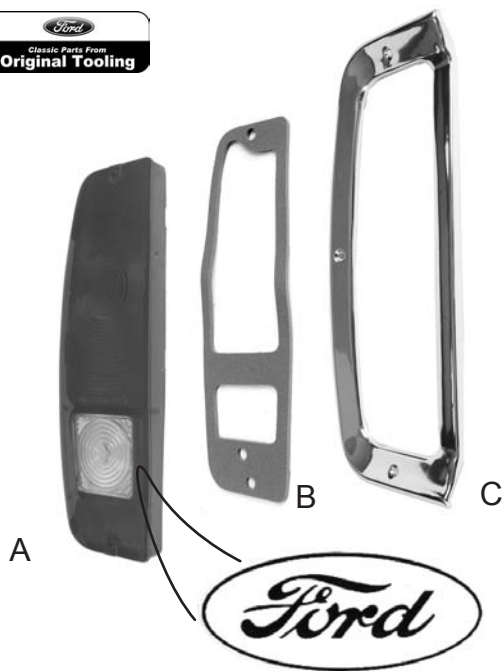
SOCKET & WIRING - PARK/TAILLIGHT

PART #	PIC	DESCRIPTION	MODEL	YEAR	PRICE
D1FZ-13234-A		<u>Socket & Wiring - Plastic</u> <u>- For Parking Lights &</u> <u>Taillights</u>	F100-350	75-79	8.00 ea.



TAILLIGHT - STYLE-SIDE - 1967-72

PART #	PIC	DESCRIPTION	MODEL	YEAR	PRICE
All Taillight Lens include Back-up Light Lens.					
 C7TZ-13450-E C7TZ-13450-F	(A)	Taillight Lens - Ford Script			
		- RH - LH	F100-250 F100-250	67-72 67-72	20.00 ea. 20.00 ea.
C7TZ-13450-EX C7TZ-13450-FX		Taillight Lens- No Ford Script			
		- RH - Replacement - LH - Replacement	F100-250 F100-250	67-72 67-72	13.50 ea. 13.50 ea.
C7TZ-13461-A	(B)	Taillight Lens Gasket - for above lenses	F100-250	67-72	8.00 pr.





TAILLIGHT WIRE & SOCKET

PART #	PIC	DESCRIPTION	YEAR	PRICE
B6C-13410-A	(D)	Taillight Wire & Socket Assy. - w/ molded end - for Stepside bed	65-79	15.00 ea.
BAAA-13410	(E)	Taillight End Parklight Socket & Wire Replacement - w/ double contact - for Styleside & Stepside	67-79	5.00 ea.



TAILLIGHT LENS RIMS - QUARTER PANEL

PART #	PIC	DESCRIPTION	MODEL	YEAR	PRICE
 C7TZ-13489-A C7TZ-13489-B	(F)	For Styleside <u>WITHOUT</u> Tailgate Mouldings			
		- RH - (2) screw holes - LH - (2) screw holes	F100-250 F100-250	67-72 67-72	35.00 ea. 35.00 ea.
C7TZ-99279A66-A C7TZ-99279A67-A	(C)	For Styleside <u>WITH</u> Tailgate Mouldings			
		- RH - (3) screw holes - LH - (3) screw holes	F100-250 F100-250	67-72 67-72	60.00 ea. 60.00 ea.
 D3TZ-99279A66-A D3TZ-99279A67-A		Taillight Rims Style-Side Pickup			
	(C)	- RH - LH	F100-350 F100-350	73-79 73-79	75.00 ea. 75.00 ea.

For Style Side
without Mouldings



For Style Side
with Mouldings



TAILLIGHT

1967-79 Truck
Quality Ford Restoration Parts

TAILLIGHT - STYLE-SIDE - 74-79

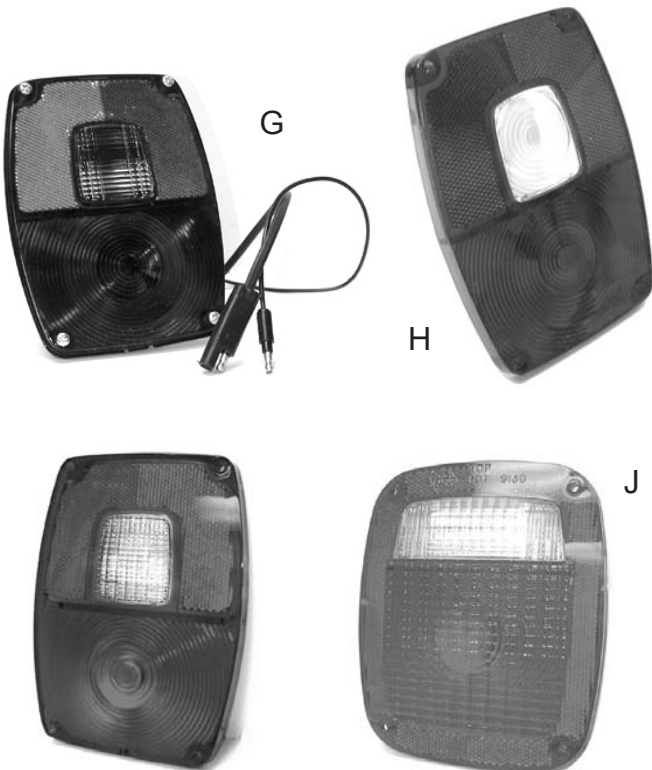
PART #	PIC	DESCRIPTION	MODEL	YEAR	PRICE
<i>Taillight Assy. Fits Style-Side Pickup from Serial #T00,001. Rectangular w/ backup light & gasket</i>					
D5UZ-13404-A	(K)	Taillight Assembly - RH - w/o wiring	F100-350	74-79	25.00 ea.
D5UZ-13405-A		- LH - w/o wiring	F100-350	74-79	25.00 ea.
D3TZ-13461-A	(B)	Taillight Lens Gasket - Style-Side Pickup - Rectangular - Before Serial # T00,001	F100-350	73-74	10.00 pr.



K

TAILLIGHT - STEP-SIDE

PART #	PIC	DESCRIPTION	MODEL	YEAR	PRICE
<i>Fits Flare-Side Pickup before Serial #020,000. Square Type w/ backup light</i>					
B7C-13405-RR	(G)	Taillight Assembly - RH - Stepside	F100-250	67-77	50.00 ea.
B7C-13404-LR		- LH - Stepside	F100-250	67-79	50.00 ea.
D3TZ-13450-B	(I)	Taillight Lens - Square Type - Stepside	F100-350	73-76	15.00 ea.
D7TZ-13450-A	(J)	- Square Type - Stepside	F100-250	77-87	12.00 ea.
C7TZ-13450-C	(H)	- for B7C-13404-LR & 05-RR			10.00 ea.
C7TZ-13461-B		Taillight Lens Gasket - Square Type - Stepside - Before Serial # 020,000	F100-250	67-77	8.00 pr.




G

H

I

J

Role the dies!




Classic Parts From
Original Tooling

There's no gambling with the authenticity of our rocker moldings!

Durable Brite Anodized Finish
All Moldings Include Fasteners
Short & Long Bed Rocker Sets

Dennis Carpenter Ford Restoration Parts uses the original Ford roller dies to make our F100 rocker moldings. Combine this fact with using superior grade aluminum material and what you end up with are rocker moldings that look, fit and function exactly like those that came on your Ford truck when it was new.

Compare Our Quality 

MADE IN THE U.S.A.

Making Quality Ford Restoration Parts For 35 Years

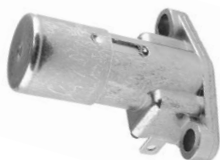
BRAKE LIGHT SWITCHES

PART #	PIC	DESCRIPTION	MODEL	YEAR	PRICE
D2TZ-13480-B		<u>Brake Light Switch</u> - Before Serial #CC0001	F100/350	67-78	9.00 ea.



HEADLIGHT DIMMER SWITCH

PART #	PIC	DESCRIPTION	MODEL	YEAR	PRICE
B9A-13532-A	(A)	<u>Headlight Dimmer Switch</u>	F100-350	67-79	11.00 ea.
C5ZZ-13533	(B)	<u>Headlight Dimmer Swith Rubber Cover</u>	ALL		4.00 ea.



A



B

LICENSE PLATE LIGHT ASSEMBLY

PART #	PIC	DESCRIPTION	MODEL	YEAR	PRICE
C9TZ-13550-A	(C)	<u>License Plate Light Assy.</u> - Rear w/ Ford Script - w/ Deluxe Chrome Bumper - Styleside	F100-250	64-72	47.50 ea.
D0TZ-13550-R	(D)	<u>Rear License Plate Lamp Assembly - Style-Side</u> - takes (2) - Before Serial # R40,001 - Replacement	F100-350	67-79	12.50 ea.
D3TZ-13550-A	(E)	<u>Rear License Plate Lamp Assembly - Style-Side</u> - takes (2) - Exact of Original	F100-250	73-79	42.50 ea.
D3AZ-13564-A	(F)	<u>License Plate Light Cover</u> - Fits Contoured Bumper	F100-350	73-79	12.50 ea.



F



D



E

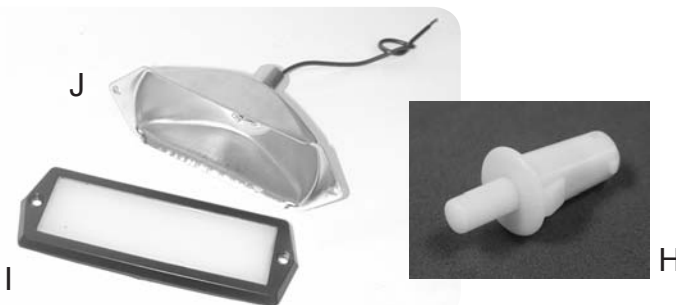


C



DOME LIGHT PARTS - 1967-72

PART #	PIC	DESCRIPTION	MODEL	YEAR	PRICE
C8AZ-13713-C	(H)	<u>Dome Light Switch</u> <u>On Door Post</u>	F100-350	68-72	7.00 ea.
C4TZ-13783-A	(I)	<u>Dome Light Lens Bezel</u> - Black	F100-750	67-72	20.00 ea.
C4TZ-13783-CC		- Chrome	F100-750	67-72	20.00 ea.
C7TZ-13786-A	(J)	<u>Interior Dome Light</u> <u>Body and Socket</u>	F100-750	67-72	25.00 ea.
B6A-13730-1003		Dome Light Bulb		67	1.50 ea.
C3SZ-13466-1004		Dome Light Bulb		68-69	1.50 ea.
DOAZ-13466-105		Dome Light Bulb		70-72	2.75 ea.

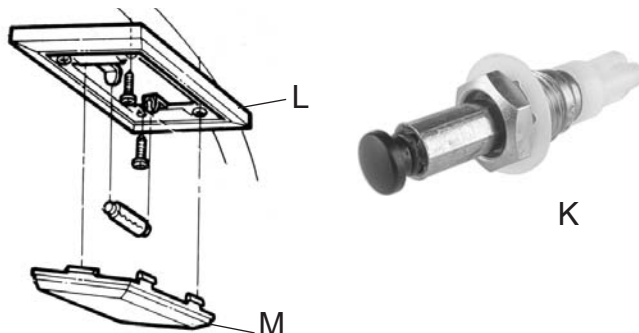


I

H

DOME LIGHT PARTS - 1973-79

PART #	PIC	DESCRIPTION	MODEL	YEAR	PRICE
D3TZ-13713-A	(K)	<u>Dome Light Switch</u> - Right or Left Door	F100/500	73-79	12.00 ea.
D1AZ-13788-A	(L)	<u>Dome Light Lens Bezel</u> - Chrome Finish	F100/500	73-79	20.00 ea.
D1AZ-13783-B	(M)	<u>Dome Light Lens</u>	F100/500	73-79	10.00 ea.



L

M

K



L

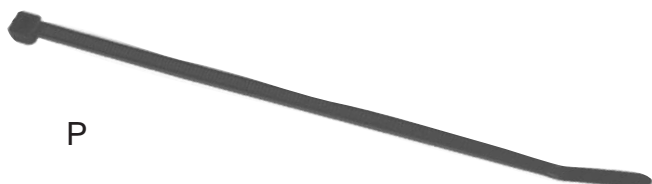
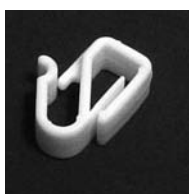
M

INTERIOR/EXTERIOR LIGHTS

1967-79 Truck
Quality Ford Restoration Parts

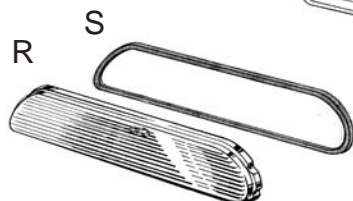
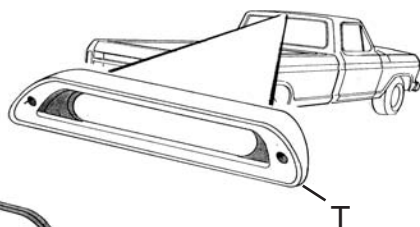
WIRING & WIRE LOOM RETAINER & CLIPS

PART #	PIC	DESCRIPTION	MODEL	YEAR	PRICE
376118-S	(N)	Plastic Clip for Horn Crossover Wire to Radiator - need 4 Plastic Clip for Antenna Wire Lead below Glove Box- need 3		67-72	1.00 ea.
C7AZ-13A506-S	(O)	Wire Loom Retainer	F100-500	67-79	2.00 ea.
376875-S	(P)	Plastic Tie Strap in Black - 7.5" long			0.25 ea.



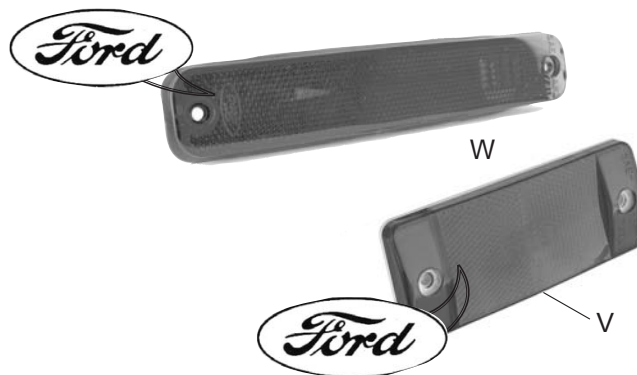
CARGO LAMP

PART #	PIC	DESCRIPTION	MODEL	YEAR	PRICE
		<u>Cargo Lamp Lens</u>			
D7TZ-15550-A	(Q)	Assembly from Ser. #y60,001	F100-350	77-79	47.50 ea.
C4SZ-15514-B	(R)	Before Serial # Y60,001	F100-350	67-77	20.00 ea.
C4SZ-15510-B	(S)	<u>Cargo Lamp Lens Gasket</u> Before Serial # Y60,001	F100-350	67-77	6.00 ea.
		<u>Cargo Lamp Pad</u>			
D7TZ-13790-A		From Serial # Y60,001	F100-350	77-79	17.50 ea.
D3TZ-13790-A	(T)	Before Serial #Y60,001	F100-350	73-77	17.50 ea.
C7TZ-13790-A		- Gray Rubber		67-72	18.50 ea.
C4SZ-15513-B		<u>Cargo Lamp Bezel</u> Before serial # Y60,001	F100-350 F100-350	67-77	20.00 ea.
D4TZ-15443-A	(U)	In Cab Cargo Lamp Switch	F100-350	73-79	20.00 ea.



SIDE MARKER LIGHTS - ORIGINAL FORD

PART #	PIC	DESCRIPTION	MODEL	YEAR	PRICE
D3TZ-15A201-A		Front Fender Side - Amber - RH or LH	F100-350	73-79	17.50 ea.
		<u>Rear Bed Side - Red - RH or LH</u>			
D5TZ-15A201-B	(V)	- Ford Script - Style Side	F100-350	70-72	10.00 ea.
D3TZ-15A201-B	(W)	- Ford Script - Style Side	F100-250	73-79	17.50 ea.
D5TZ-15A201-B		- Ford Script - Step Side	F100-250	70-79	10.00 ea.



SIDE MARKER LIGHTS - REPLACEMENT TYPE

PART #	PIC	DESCRIPTION	MODEL	YEAR	PRICE
		<u>Rear Bed Side -Red - RH & LH</u>			
D5TZ-15A201-BR		- Non-script - Step Side	F100-250	70-79	6.00 ea.
D5TZ-15A201-BR		- Non-script - Style Side	F100-250	70-72	6.00 ea.

SIDE MARKER GASKETS/WIRING

PART #	PIC	DESCRIPTION	MODEL	YEAR	PRICE
D3TZ-15A447-A		<u>Gasket - Front & Rear</u> - Set of 4	F100-350	73-79	10.00 set
D0DZ-15A434-B	(X)	<u>Socket & Wiring - Plastic</u> - For Side Marker Lamps - Front & Rear	F100-350	70-79	4.00 ea.



BACK-UP LIGHT SWITCH

PART #	PIC	DESCRIPTION	MODEL	YEAR	PRICE
C7TZ-15520-B		Back up Light Switch - 4 speed MT - Cruise-O-Matic	F100-350 P350-500 F350	67-68 67-68 67	12.50 ea.
C9TZ-15520-F	(Y)	Back-Up Light Switch - 3 Speed Manual Transmission	F100-250	67-79	20.00 ea.



NOTE: It may be necessary to ream switch mounting hole in existing backup lamp switch mounting bracket to accommodate switch diameter.

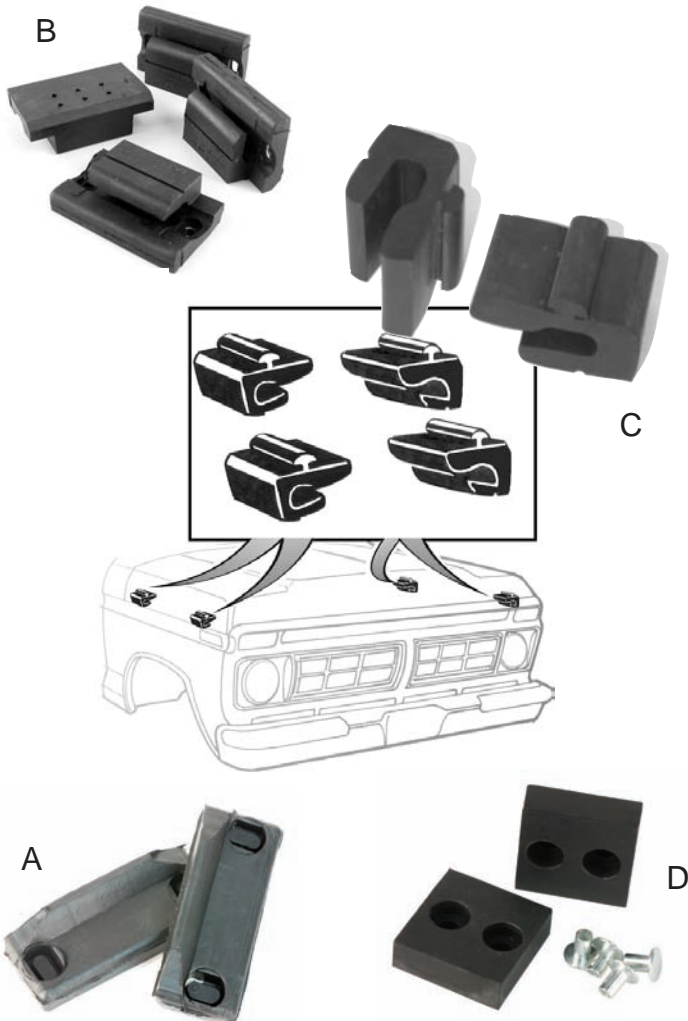
HOOD

PART #	PIC	DESCRIPTION	MODEL	YEAR	PRICE
<i>Please note there is a \$75 crating fee for this item.</i>					
D8TZ-16612-A		- Genuine Ford LIMITED SUPPLY!	F100-350	73-79	450.00 ea.



HOOD BUMPERS

PART #	PIC	DESCRIPTION	MODEL	YEAR	PRICE
C7TZ-16758-C	(A)	<u>Hood Side Hood Bumper</u> - Need (1) pair per truck	F100-750	67-69	10.00 pr.
C7TZ-16758-C		- Need (2) pair per truck	F100-750	70-72	10.00 pr.
D3TZ-16758-C	(B)	<u>Hood Side Hood Bumpers</u> - Set of (4)	F100-350	73-75	27.50 set
D6TZ-16758-A	(C)	- Set of (4)	F100-350	76-79	8.00 set
C7TZ-16758-D	(D)	Cowl Hood Bumper - w/o Bracket	F100-750	67-69	7.50 pr.



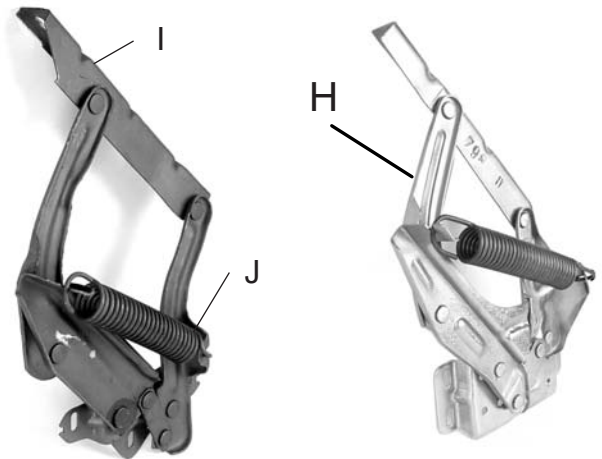
HOOD LATCH / LOCK

PART #	PIC	DESCRIPTION	MODEL	YEAR	PRICE
C9TZ-16700-A	(E)	<u>Hood Lock</u>	F100-750	67-72	85.00 ea.
D5UZ-16700-A	(F)	<u>Hood Latch Assembly</u> - w/o key operated lock	F100-350	73-79	65.00 ea.
D3TZ-16C644-A	(G)	Hood Latch Spring	F100/350	73-79	8.00 ea.



HOOD HINGE

PART #	PIC	DESCRIPTION	MODEL	YEAR	PRICE
C7TZ-16796-E	(H)	<u>Hood Hinge w/ Spring</u> - RH	F100-350	67-72	100.00 ea.
C7TZ-16797-E		- LH	F100-350	67-72	100.00 ea.
D3TZ-16796-A		<u>Hood Hinge w/ Spring</u> - Imported - RH	F100-500	73-79	100.00 ea.
D3TZ-16797-A	(I)	- Original Ford - LH	F100-500	73-79	100.00 ea.
D3TZ-16789-A	(J)	<u>Hood Hinge Spring</u> - 2 per truck	F100-500	73-79	25.00 ea.

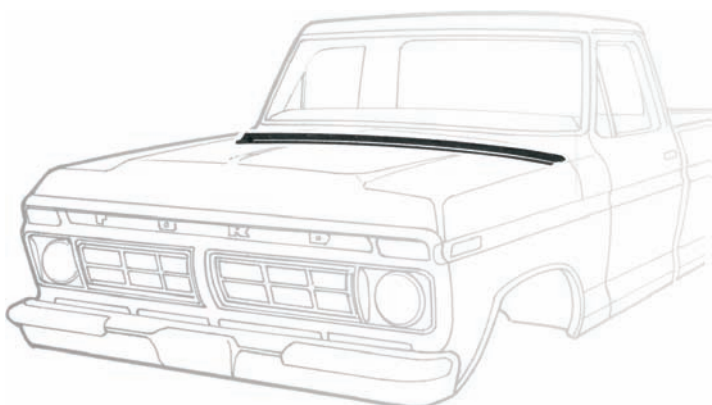


HOOD LETTERS

1967-79 Truck
Quality Ford Restoration Parts

COWL LACING

PART #	PIC	DESCRIPTION	MODEL	YEAR	PRICE
C7TZ-16740-A		Firewall to Hood Seal - w/ Plastic Fasteners	F100-750	67	17.50 ea.
C8TZ-16740-A		- Mounting Clips Installed	F100-750	68-69	17.50 ea.
D0TZ-16740-A		- Mounting Clips Installed	F100-750	70-72	17.50 ea.
D7TZ-16740-A		Firewall to Hood Seal - Mounting clips installed	F100-500	73-79	17.50 ea.



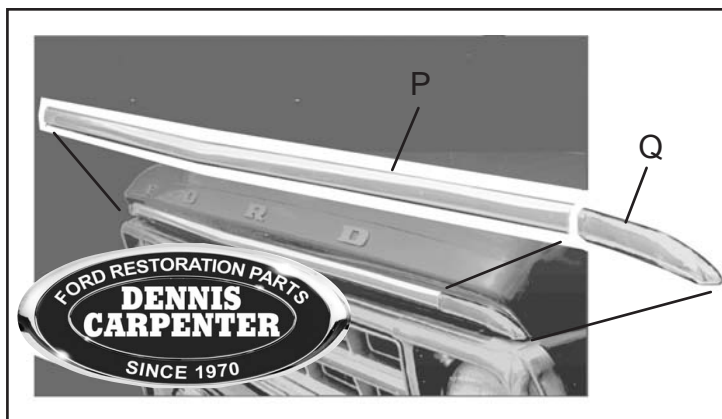
HOOD SIDE NAMEPLATE

PART #	PIC	DESCRIPTION	MODEL	YEAR	PRICE
Painted with Original Reflector - Fasteners Included All are FORD Official Licensed Products					
C8TZ-16720-PR	(M)	"FORD 100"	F100	68-72	100.00 pr.
C8TZ-16720-BPR	(N)	"FORD 250"	F250	68-72	120.00 pr.
C8TZ-16720-CPR	(O)	"FORD 350"	F350	68-72	120.00 pr.



HOOD LIP MOULDING

PART #	PIC	DESCRIPTION	MODEL	YEAR	PRICE
D0TZ-16958-B	(P)	Front Hood Hood Lip Moulding Center Piece - w/ Fasteners	F100-350	70-72	60.00 ea.
C5TZ-16B840-A		Front of Hood Lip Moulding Clips - Metal - need (6)	F100-350	70-72	2.00 ea.
Hood Lip Moulding Ends					
D0TZ-16856-B	(Q)	- RH	F100-350	70-72	30.00 ea.
D0TZ-16857-B		- LH	F100-350	70-72	30.00 ea.
D0TZ-16958-SET		Hood Lip Moulding Set Includes: D0TZ-16856-B - RH end D0TZ-16857-B - LH end D0TZ-16958-B - Center			110.00 set



HOOD LETTERS "FORD"

PART #	PIC	DESCRIPTION	MODEL	YEAR	PRICE
Hood Letters Include Fasteners					
C7TZ-16606-K	(R)	- on Front of Hood	F100-750	67-69	25.00 set
D0TZ-16606-K	(S)	- on Front of Hood	F100-750	70-72	50.00 set
D9TZ-16606-K	(T)	F.O.R.D. Letters - Front of Hood	F100-350 F500	78-79 73-77	50.00 set



HOOD ORNAMENTS - ACCESSORY

PART #	PIC	DESCRIPTION	MODEL	YEAR	PRICE
D3TB-16850-B	(A)	Hood Ornament - Optional Accessory - Fasteners Included Manufactured in U.S.A. Triple Chrome Plated		67-72	70.00 ea.
D3TB-16850-N	(T)	- Accessory - w/ hardware	Truck	73-79	70.00 ea.



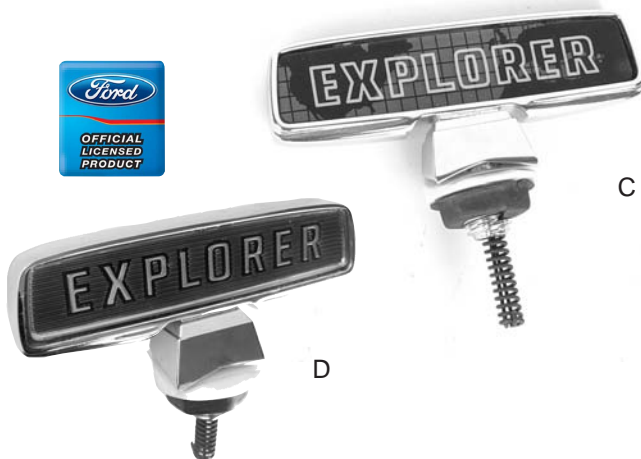
HOOD ORNAMENTS - WREATH/LION

PART #	PIC	DESCRIPTION	MODEL	YEAR	PRICE
D3AZ-16850-A	(E)	- w/ 3 Lions - Chrome Wreath - Red background		67-79	75.00 ea.
D6TZ-16850-A	(F)	- Wreath w/ 3 lions - Orig. brown background - w/ hardware	F100-350	76-79	75.00 ea.
D6TZ-16850-RS	(F)	- Wreath w/ 3 lions - Red background - w/ hardware	F100-350	73-79	75.00 ea.



HOOD ORNAMENTS - EXPLORER

PART #	PIC	DESCRIPTION	MODEL	YEAR	PRICE
All Explorer Hood Ornaments include Hardware.					
<u>Explorer Hood Ornament</u>					
D5TZ-16850-A	(C)	- Explorer over world	F100-350	75	75.00 ea.
D6TZ-16850-B	(D)	- Blue background	F100-350	76-77	75.00 ea.
D8TZ-16850-A	(D)	- Black background	F100-350	76-77	75.00 ea.



FRONT FENDERS

PART #	PIC	DESCRIPTION	MODEL	YEAR	PRICE
<u>Front Fender - Genuine Ford</u>					
D9TZ-16005-A	(G)	- RH	F100-350	73-79	300.00 ea.
D9TZ-16006-A		- LH	F100-350	73-79	400.00 ea.
<u>Front Fender - Imported</u>					
D9TZ-16005-R		- RH	F100/350	73-79	150.00 ea.
D9TZ-16006-R		- LH	F100/350	73-79	150.00 ea.
D7TZ-16006-B		<u>Front Fenders</u> - LH - Ford Surplus	F500/750	73-77	350.00 ea.

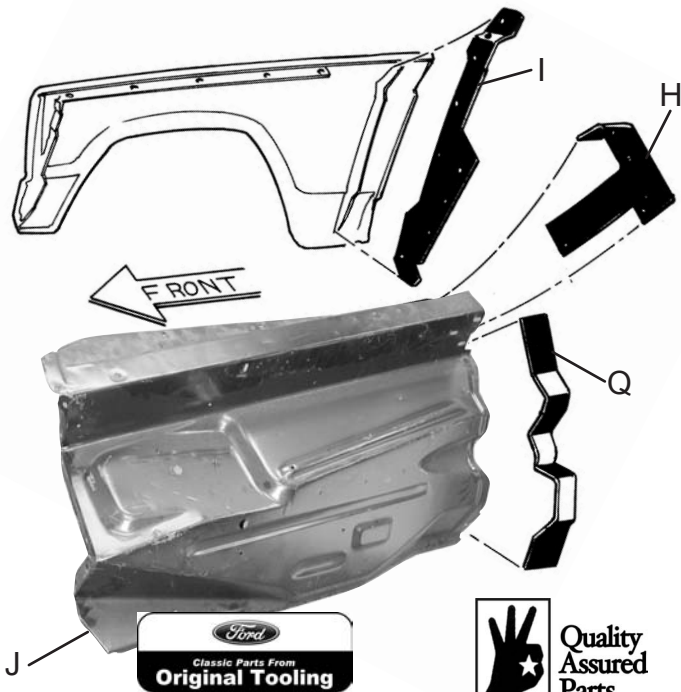


FENDERS

1967-79 Truck
Quality Ford Restoration Parts

FRONT INNER FENDER & SEALS-67-72

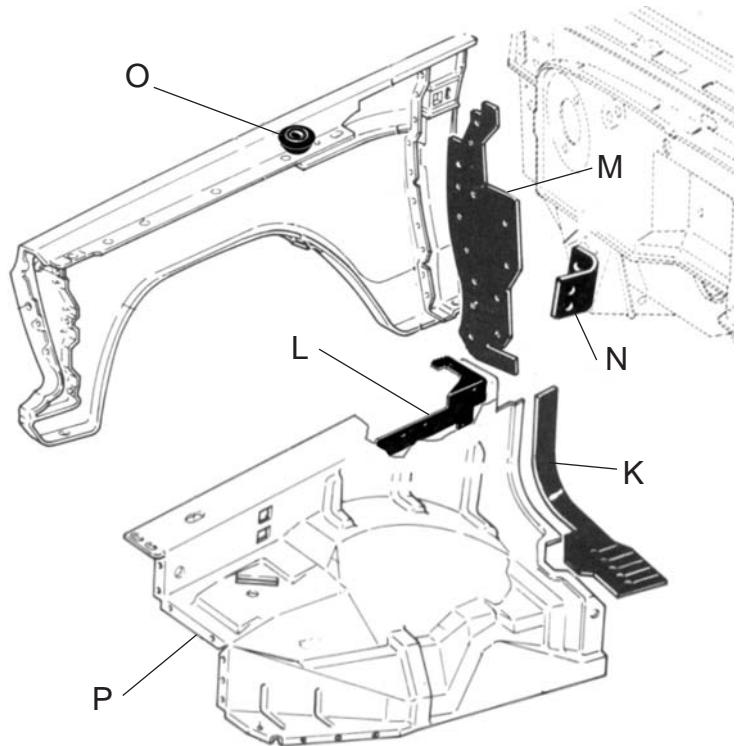
PART #	PIC	DESCRIPTION	MODEL	YEAR	PRICE
C7TZ-16A054-PR		Front Fender Apron to Cab Mount Strip	F100-350	67-79	12.00 pr.
C7TZ-16B126-PR	(Q)	Front Fender Apron to Firewall Lower Seal - with staples	F-100-350	67-72	12.00 pr.
C7TZ-16127-PR	(H)	Front Fender Apron to Hood Hinge Support Seal with fasteners	F-100-350	67-72	12.00 pr.
C7TZ-16246-PR	(I)	Front Fender to Front of Cab Seal - With fasteners	F-100-350	67-72	27.50 pr.
C7TZ-16054-A	(J)	Front Fender Inner Apron - Except Power Pack - Right	F-100-350	67-72	175.00 ea.
C7TZ-16055-C		Front Fender Inner Apron - Except Power Pack - Left	F-100-350	67-72	175.00 ea.



Made in USA

FRONT INNER FENDER & SEALS-73-79

PART #	PIC	DESCRIPTION	MODEL	YEAR	PRICE
D3TZ-16B126-A	(K)	Front Fender Apron to Firewall Seal - Lower Right	F100-350	74-76	12.00 ea.
D3TZ-16B127-A	(L)	Front Fender Apron to Hood Hinge Seal - R & L	F100-350	74-76	12.00 pr.
D3TZ-16246-F	(M)	Front Fender to Front Body Pillar Seal -w/Clips & Plastic Fasteners	F100-350	73-77	30.00 pr.
C7TZ-16A054-PR	(N)	Front Fender Apron to Firewall Panel Strip	F100-350	67-79	12.00 pr.
376966-S	(O)	Front Fender Rear On Top Rubber Plug - 5/8" O.D.	F100-500	73-79	5.00 pr.
D5TZ-16054-B	(P)	Metal Inner Fender Panel - Imported - RH	F100/350	73-79	125.00 ea.
D5TZ-16055-B		Metal Inner Fender Panel - Imported - LH	F100/350	73-79	125.00 ea.




FRONT FENDER SPLASH SHIELD

PART #	PIC	DESCRIPTION	MODEL	YEAR	PRICE
D6TZ-16102-A		Front Fender Splash Shield - RH - Plastic	F100-350	76-79	150.00 ea.
D6TZ-16103-A		Front Fender Splash Shield - LH - Plastic	F100-350	76-79	150.00 ea.



REAR FENDER - STEPSIDE

PART #	PIC	DESCRIPTION	MODEL	YEAR	PRICE
<i>Shipped by Motor Freight</i>					
 Classic Parts From Original Tooling BAAA-16312-A BAAA-16313-A	(A)	Steel Rear Fender			
		- Step Side Only			
		- RH	F100-250	53-79	350.00 ea.
		- LH	F100-250	53-79	350.00 ea.

**Galvanized Steel!
Heavy Gauge!**



STEPSIDE REAR FENDER BOLTS

PART #	PIC	DESCRIPTION	MODEL	YEAR	PRICE
<i>All Rear Fender to Bed Bolt measure 5/16" x 24 x 5/8"</i>					
355471-S8 355471-SET	(B)	Rear Fender to Bed Bolt			
		Black Steel Like Original			
		- Individual Bolt		67-79	1.00 ea.
		- Set of (24)		67-79	20.00 set
355471-SS 355471-SSK	(C)	Rear Fender to Bed Bolt			
		Polished Stainless Steel			
		- Individual Bolt	F100-250	67-79	2.00 ea.
		- Set of (24)	F100-350	67-79	40.00 set



FENDER WELT

PART #	PIC	DESCRIPTION	MODEL	YEAR	PRICE
48-16070	(D)	- Black Vinyl - 30' roll		All	20.00 ea.
48-16070-SS		- Stainless Steel - 8' lengths		All	25.00 ea.
48-16070-RR	(E)	- Rubber - 8' lengths		All	15.00 ea.



SPEEDOMETER CABLE

PART #	PIC	DESCRIPTION	MODEL	YEAR	PRICE
C5TZ-17260-N	(F)	Speedometer Cable & Housing - 64.80" long - 3 spd - Automatic Trans.	F100	67-72	20.00 ea.
D4TZ-17260-D		3 & 4-speed trans - From Serial # S00,001 - 67 1/4" long	F100-350	73-79	30.00 ea.
D3TZ-17260-C		C4 & C6 Automatic trans - From Serial # S00,001 - 71" long	F100-350	73-79	30.00 ea.
C6TZ-17261	(G)	Speedometer Cable to Firewall Seal	F100	67-72	3.50 ea.
B5A-19581-A	(H)	Speedometer Cable Lube - Comes in tube		All	6.00 ea.
C9MY-17303-A	(I)	Speedometer Cable Rubber Seal at Trans.	F100-350	67-79	5.00 ea.
B9TZ-17264-B		Speedometer Cable Holddown Bracket - at transmission	F100-250	59-69	4.00 ea.



SPEEDOMETER

1967-79 Truck
Quality Ford Restoration Parts

SPEEDOMETER DRIVE GEAR - TRANS.

PART #	PIC	DESCRIPTION	MODEL	YEAR	PRICE
D7TZ-17285-A	(J)	Speedometer Drive Gear in Trans. - 9 teeth - w/ 3 speed manual trans. - w/ 2.72 gear ratio	F100-250	73-79	12.00 ea.
D8TZ-17285-A		Speedometer Drive Gear in Trans. - 6 teeth - w/ 4 Speed manual trans.	F100-350	75-79	20.00 ea.



SPEEDOMETER DRIVEN GEAR CLIP

PART #	PIC	DESCRIPTION	MODEL	YEAR	PRICE
C1DZ-17292-A		Speedometer Driven Gear Retainer Clip	F100-350	73-79	1.00 ea.

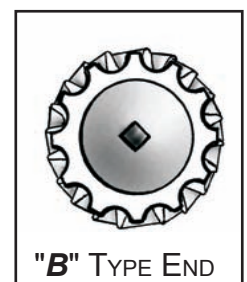
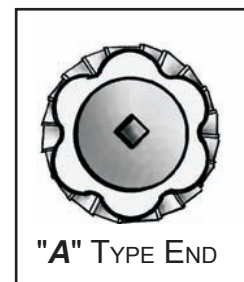
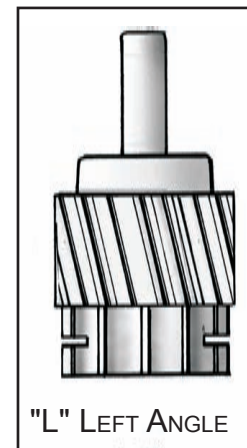
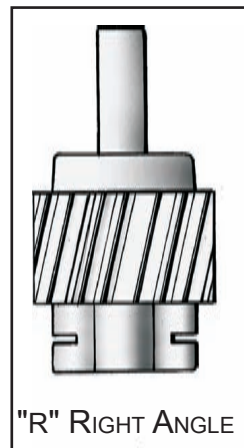


SPEEDOMETER DRIVEN GEAR

PART #	DESCRIPTION	END	ANGLE	PRICE
- 3 speed & automatic transmisson				
C0DZ-17271-A	- 16 teeth	A	R	10.00 ea.
C3DZ-17271-C	- 17 teeth	B	L	10.00 ea.
C0DD-17271-B	- 18 teeth	A	R	10.00 ea.
C7VY-17271-A	- 19 teeth	A	R	10.00 ea.
C1DZ-17271-A	- 20 teeth	A	R	10.00 ea.
C40Z-17271-A	- 21 teeth	A	R	10.00 ea.
- 4 speed transmisson				
C2DZ-17271-J	- 16 teeth	B	R	10.00 ea.
C7SZ-17271-A	- 17 teeth	A	L	10.00 ea.
C2DZ-17271-K	- 18 teeth	B	L	10.00 ea.
C4DZ-17271-A	- 19 teeth	B	L	10.00 ea.
C2DZ-17271-H	- 20 teeth	B	L	10.00 ea.
E0TZ-17271-A	- 21 teeth	A	R	10.00 ea.

NOTE:

Please check diagram below to make sure
gear angle and end
match the gear you are replacing.



NAME PLATE - 73-79

PART #	PIC	DESCRIPTION	MODEL	YEAR	PRICE
ALL INCLUDES MOUNTING HARDWARE					
D3TZ-16720-P	(A)	Front Fender Name Plate - Custom Cab		73-76	30.00 ea.
D7TZ-16720-BD	(B)	Cowl Side Name Plate - "XLT"	Truck	77-79	30.00 ea.
D8TZ-16720-C	(C)	Cowl Side Name Plate - Lariat - Chrome Plastic - w/red background		78-79	30.00 ea.

F100 NAMEPLATE - 73-79

PART #	PIC	DESCRIPTION	MODEL	YEAR	PRICE
ALL INCLUDES MOUNTING HARDWARE					
D4TZ-16720-A	(D)	Front Fender Name Plate - F100		73-76	30.00 ea.
D7TZ-16720-J	(E)	Cowl Side Name Plate - F100 Ranger		77-79	30.00 ea.
D7TZ-16720-K	(F)	Cowl Side Name Plate - F100 Custom		77-79	30.00 ea.

F150 NAME PLATES - 73-79

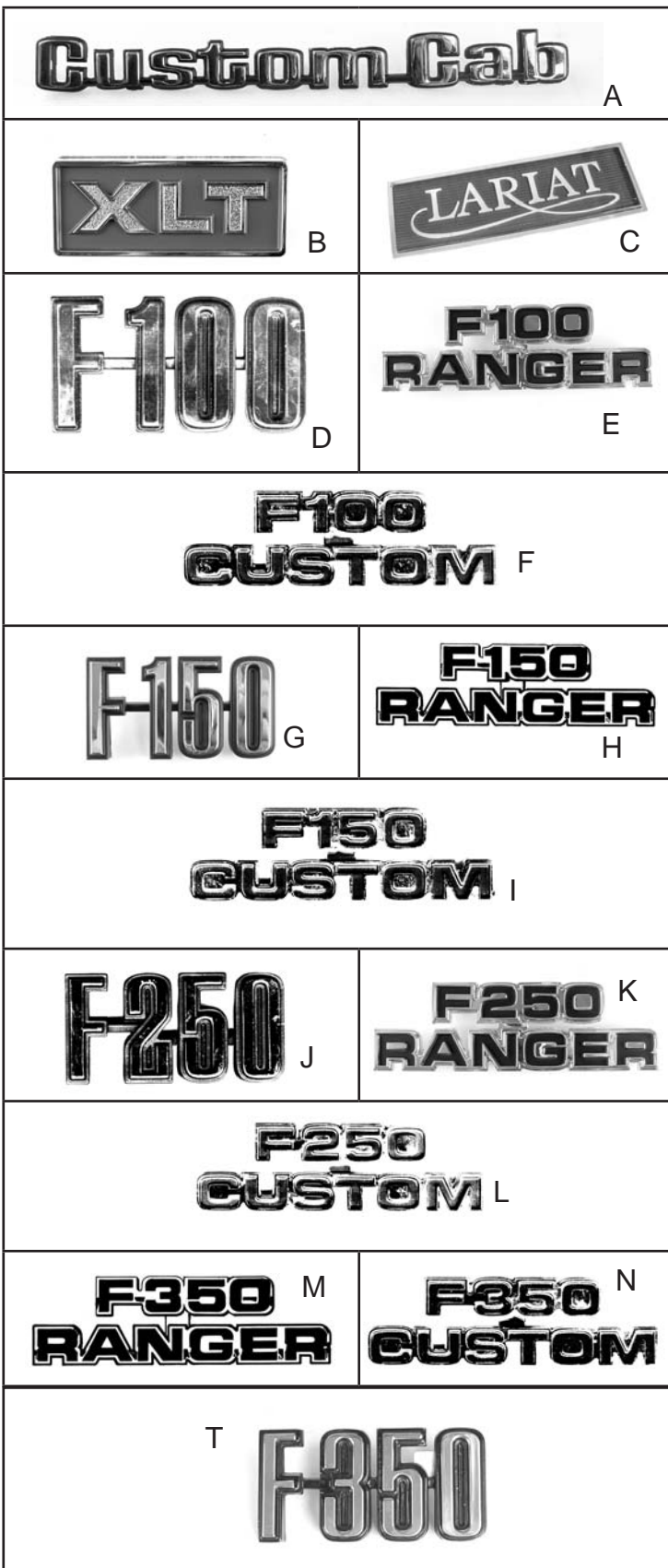
PART #	PIC	DESCRIPTION	MODEL	YEAR	PRICE
ALL INCLUDE MOUNTING HARDWARE					
D5TZ-16720-A	(G)	Front Fender Name Plate - F-150		73-76	30.00 ea.
D7TZ-16720-L	(H)	Cowl Side Name Plate - F150 Ranger		77-79	30.00 ea.
D7TZ-16720-M	(I)	Cowl Side Name Plate - F150 Custom		77-79	30.00 ea.

F250 NAME PLATES - 73-79

PART #	PIC	DESCRIPTION	MODEL	YEAR	PRICE
ALL INCLUDE MOUNTING HARDWARE					
D4TZ-16720-B	(J)	Front Fender Name Plate - F250		73-76	30.00 ea.
D7TZ-16720-N	(K)	Cowl Side Name Plate - F250 Ranger		77-79	30.00 ea.
D7TZ-16720-P	(L)	Cowl Side Name Plate - F250 Custom		77-79	30.00 ea.

F350 NAME PLATES - 73-79


PART #	PIC	DESCRIPTION	MODEL	YEAR	PRICE
ALL INCLUDE MOUNTING HARDWARE					
D4TZ-16720-C	(T)	Front Fender Emblem- F350 - Ford Licensed		73-76	30.00 ea.
D7TZ-16720-R	(M)	Cowl Side Name Plate - F350 Ranger		77-79	30.00 ea.
D7TZ-16720-S	(N)	Cowl Side Name Plate - F350 Custom		77-79	30.00 ea.



NAMEPLATES / EMBLEMS


1967-79 Truck
Quality Ford Restoration Parts

NAMEPLATES - BED SIDE - 67-72

PART #	PIC	DESCRIPTION	MODEL	YEAR	PRICE
All Licensed by FORD - Triple Chrome Plated - Includes Fasteners					
					
D0TZ-9925622-A	(A)	"Ranger"	F100-250	70-72	35.00 ea.
D0TZ-9925622-B	(B)	"XLT"	F100-250	70-72	30.00 ea.
D0TZ-9925622-C	(D)	"Sport Custom"	F100-250	70-72	50.00 ea.
D0TZ-9925622-D	(C)	"Custom"	F100-250	70-72	30.00 ea.
C7TZ-81402A16-A	(F)	- Ranger - Style-Side	F-100-250	67-69	40.00 ea.



NAMEPLATES - CAB BACK PANEL SIDE

PART #	PIC	DESCRIPTION	MODEL	YEAR	PRICE
All Licensed by FORD - Triple Chrome Plated - Include Fasteners					
					
C7TZ-8140683-A	(E)	- Custom Cab - Red Paint	F-100-750	67	40.00 ea.
C8TZ-8140683-A	(E)	- Custom Cab - Black paint	F-100-750 F-500-750	68-70 71-72	40.00 ea.



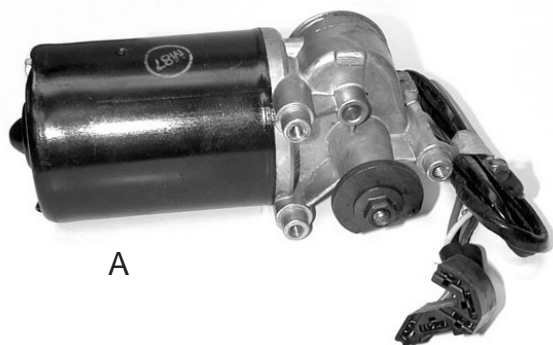
NAMEPLATES - BED SIDE - 73-79

PART #	PIC	DESCRIPTION	MODEL	YEAR	PRICE
FLEETSIDE (STYLESIDE) - Includes Mounting Hardware					
D3TZ-9925622-C	(O)	"XLT" Nameplate	F100-350	73-76	25.00 ea.
D3TZ-9925622-D	(P)	"Explorer" Nameplate	F100-350	73-78	25.00 ea.
D6TZ-9925622-A	(Q)	"Custom" Nameplate	F100-350	73-79	27.50 ea.
D6TZ-9925622-B	(R)	"Ranger" Nameplate	F100-350	73-79	35.00 ea.
D5UZ-2225622-A	(S)	"Club Wagon" Nameplate - Econoline	E-100-350	75-79	25.00 ea.



WIPER MOTOR

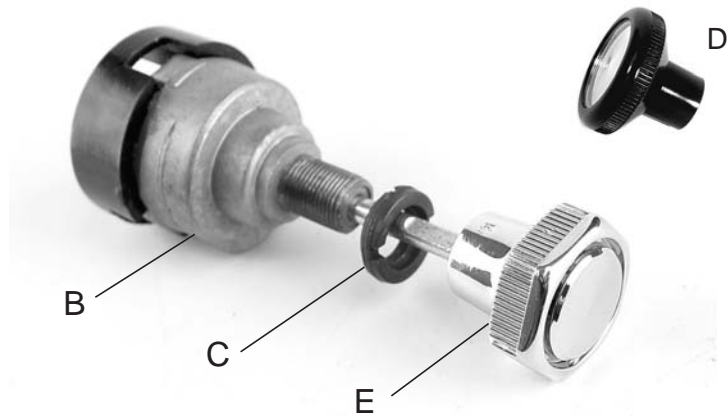
PART #	PIC	DESCRIPTION	MODEL	YEAR	PRICE
C7TZ-17508-D	(A)	Windshield Wiper Motor - 2-speed	F100-500	67-79	230.00 ea.



A

WIPER SWITCH

PART #	PIC	DESCRIPTION	MODEL	YEAR	PRICE
	(B)	Windshield Wiper & Washer Switch - for 2-spd Electric Motor - w/o intermittent wipers	F100-750 F100-350	68-72 73-79	30.00 ea. 80.00 ea.
	(C)	Windshield Wiper Switch Control Nut - Regular - Chrome	F100-350 F100-350	67-79 67-79	8.00 ea. 8.00 ea.
	(D)	Wiper Knob - Can also be used on Emergency Flasher, Choke Knobs	F100-750	68-72	12.50 ea.
	(E)	Wiper Switch Knob	F100-350	73-79	10.00 ea.



D

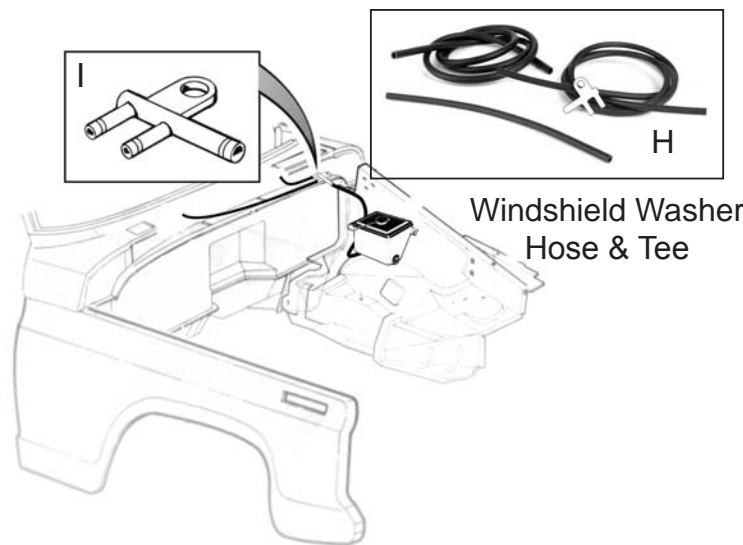
B

C

E

WINDSHIELD WASHER PARTS

PART #	PIC	DESCRIPTION	MODEL	YEAR	PRICE
	(F)	Windshield Washer Reservoir & Cap - except power pack - except power pack	F100-350 F100-350	68-70 71-79	25.00 ea. 37.50 ea.
		Windshield Washer Reservoir Cap -..... - fits C8TZ-17618-A jug	F100-350 F100-350	65-67 68-70	5.00 ea. 3.00 ea.
		Windshield Washer Pump -..... -.....	F100-350 F100-350	68-70 71-79	40.00 ea. 15.00 ea.
	(G)	Windshield Washer Hose & Tee Kit Includes: I-tee & 3-pieces of Hose	F100/350	67-79	8.00 kit
	(H)	Windshield Washer Hose Plastic Tee	F100-500	67-79	3.00 ea.



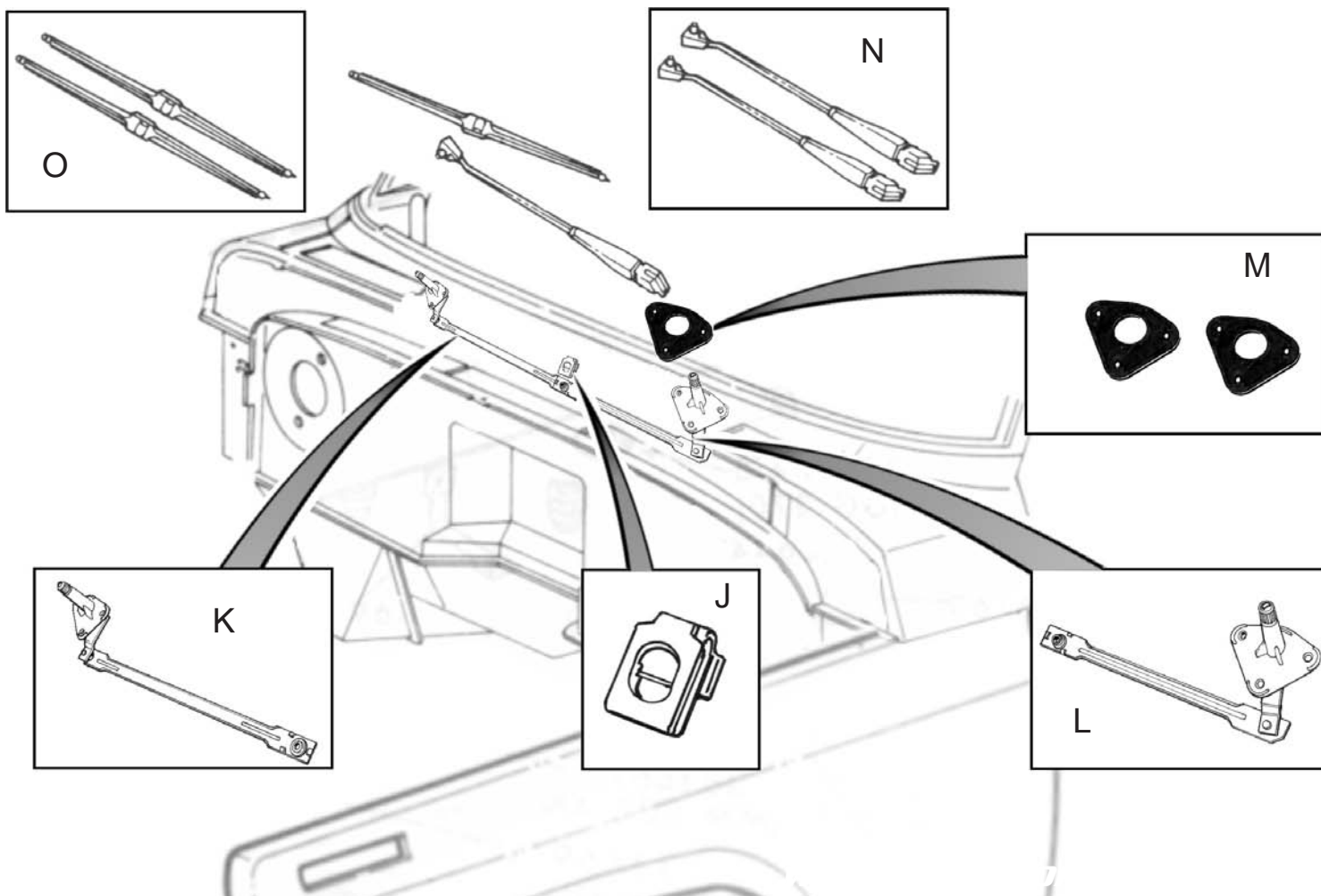
Windshield Washer
Hose & Tee



F



G



WIPER PIVOT PARTS

PART #	PIC	DESCRIPTION	MODEL	YEAR	PRICE
C5ZZ-17531-A	(J)	Windshield Wiper Arm Clip - goes under dash to motor	F100-500	67-79	2.00 ea.
		 Classic Parts From Original Tooling			
		Windshield Wiper Pivot & Arm Assembly			
C7TZ-17566-A		- RH	F100-750	67-72	85.00 ea.
C7TZ-17567-A		- LH	F100-750	67-72	85.00 ea.
D9TZ-17566-A	(K)	- RH	F100-350	73-79	85.00 ea.
D9TZ-17567-A	(L)	- LH	F100-350	73-79	85.00 ea.
C7TZ-17C463		Wiper Pivot Gasket	F100-750	67-72	5.00 pr.
D3TZ-17A475-A	(M)	Windshield Wiper Gasket - Set of 4	F100-500	73-79	10.00 set

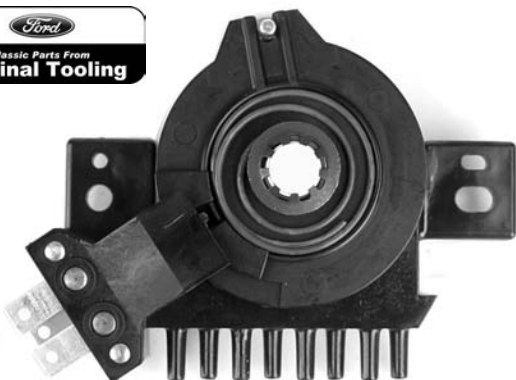
WIPER ARM & BLADES

PART #	PIC	DESCRIPTION	MODEL	YEAR	PRICE
C7TZ-17526-B	(N)	Windshield Wiper Arm - Replacement by Trico	F100-500	67-79	25.00 ea.
C3AZ-17528-J	(O)	Windshield Wiper Blade - Silver - Stainless Steel - by Trico	F100-500	67-79	15.00 ea.
C3AZ-17528-R		Wiper Blade Rubber Only - Replacement for 15" blades - All	F100-500	65-79	15.00 pr.



A/C PARTS DOOR DAMPER SWITCH

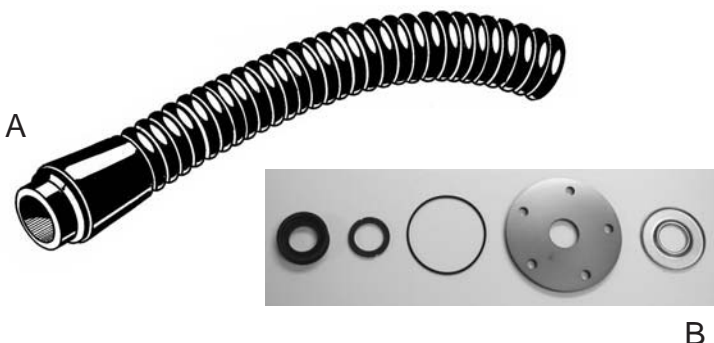
PART #	PIC	DESCRIPTION	MODEL	YEAR	PRICE
D5TZ-19B888-A		Vacuum Switch Valve for Heater and A/C - w/ Deluxe Heater - 2 contacts	F100-350	75-77	75.00 ea.



If you have a vacuum air leak under your dash, this is usually the problem.

AIR CONDITIONER PARTS

PART #	PIC	DESCRIPTION	MODEL	YEAR	PRICE
C8TZ-19858	(A)	Air Conditioner Evaporator Drain Hose with Integral Air Conditioner	F100-350	68-72	20.00 ea.
C9AZ-19655-B	(B)	Air Conditioner Compressor Crankshaft Seal Kit	All	65-72	20.00 ea.



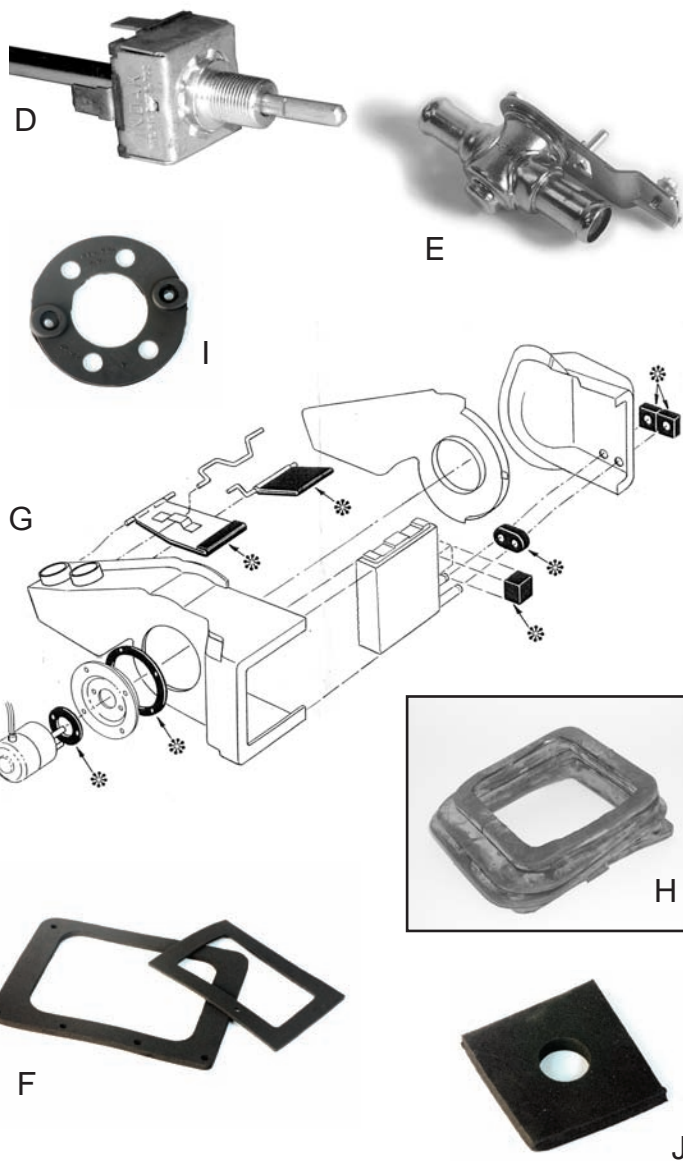
AIR CONDITIONER TAG & SWITCH

PART #	PIC	DESCRIPTION	MODEL	YEAR	PRICE
C8SZ-2979-A	(C)	A/C Compressor Switch & Bracket	F100/350	68-79	35.00 ea.



HEATER PARTS - 1967-72

PART #	PIC	DESCRIPTION	MODEL	YEAR	PRICE
C1UF-18545-A		Heater Switch Bezel Nut	F100-350	67	7.50 ea.
C7TZ-18578-F	(D)	Heater Control Rod & Switch Assembly	F100-350	67	40.00 ea.
C8TZ-18578-A		Heater Blower Switch - Fresh Air Heater	F100-750	68-72	15.00 ea.
C3UZ-18495-A	(E)	Heater Temp. Control Valve - w/ No Air Condition		67-72	35.00 ea.
C7TZ-18B259-KIT	(F)	Air Inlet Duct Seal Kit - RH	F100-750	67-72	11.00 kit
C7TZ-18500-A	(G)	Fresh Air Heater Seal Kit	F100-750	67-72	17.50 kit
C8GY-18519-A		Heater or A/C Control Knob - Set of (3) - Chrome	F100-350	68-72	35.00 set
C5TZ-18527-A		Heater Blower Fan Motor - w/o Factory A/C unit	F100-350	65-72	90.00 ea.
C7TZ-18A568-A	(H)	Fresh Air Heater Air Inlet Hose Connector	F100-750	67-72	40.00 ea.
C1UF-18583-A	(I)	Heater Blower Motor Mounting Gasket	F100-750	67-72	6.00 ea.
8C-18595	(J)	Heater Tube to Firewall Seal		67-79	2.00 ea.

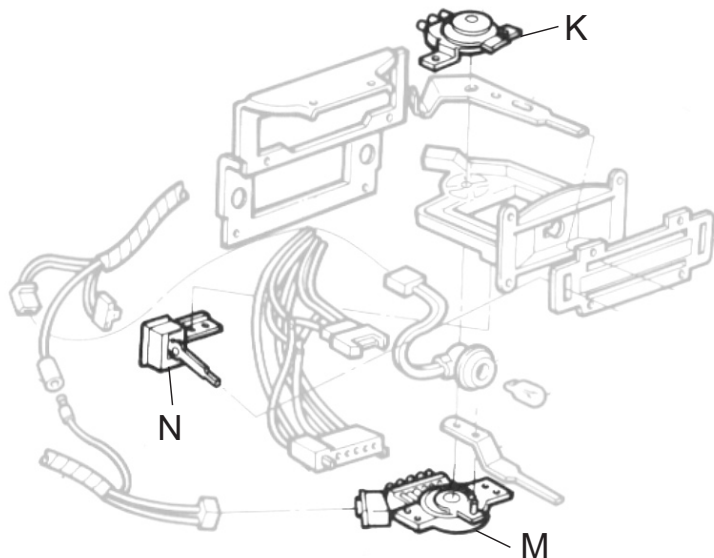


HEATER

1967-79 Truck
Quality Ford Restoration Parts

HEATER & A/C PARTS - 1973-79

PART #	PIC	DESCRIPTION	MODEL	YEAR	PRICE
D5TZ-18502-A	(K)	A/C & Heater Temp. Regulator Valve - w/ Integral Air conditioner - From 1975 Serial # V80,001	F100-350	75-77	50.00 ea.
D8TZ-18502-A		A/C & Heater Temp. Regulator Valve	F100-350	78-79	50.00 ea.
D4AZ-18495-A	(L)	Heater Water Control Valve - From Serial #U40,001	F100-350	74-79	21.50 ea.
D8TZ-19B888-A	(M)	Vacuum Switch Valve for Heater and A/C - w/ Deluxe Heater - 1 contact	F100-350	78-79	50.00 ea.
	(N)	Heater & Integral Air Conditioner Blower Switch - Before Serial # CA0,001 - From Serial # CA0,001	F100-350	73-78	20.00 ea.
D3AZ-19986-A			F100-350	78-79	29.00 ea.



HEATER CABLES

PART #	PIC	DESCRIPTION	MODEL	YEAR	PRICE
D3TZ-18518-A	(O)	A/C Temperature Cable - w/ Factory A/C	F100-350	73-79	20.00 ea.
D3TZ-18518-B		Heater Temperature Cable - For w/o Factory A/C	F100-350	73-79	20.00 ea.
D3TZ-18552-A		Heater On/Off Controll Cable	F100-350	73-79	17.00 ea.
C8TZ-18518-A	(P)	Fresh Air Heater Cable - Temp. Control - 28 1/2"	F100-350	68-72	15.00 ea.
C8TZ-18552-C	(P)	- Vent Cable - 29 1/2"	F100-350	68-72	12.00 ea.
C8TZ-18548-A	(P)	- Defroster Control -22"	F100-350	68-72	7.50 ea.



HEATER HOSE

PART #	PIC	DESCRIPTION	MODEL	YEAR	PRICE
Heater Hose is Black. It is sold by the foot and NON-RETURNABLE.					
APA-18472-A		Heater Hose - 5/8" I. D.		All	2.00 ft.

HEATER HOSE CLAMPS & PARTS

PART #	PIC	DESCRIPTION	MODEL	YEAR	PRICE
D4TZ-18599-C	(Q)	Hot Water Heater & Air Conditioner Connector Tee - "T" shape - (1) 1/4" hose connection - (2) 5/8" hose connections - Fits: 8 cyl. 302 F100 California vehicle	ALL	74-79	14.00 ea.
BPA-18572	(R)	Heater Hose Clamp - 5/8"	ALL	ALL	1.00 ea.
C3AZ-18572-A	(S)	Heater Hose Clamp - Post or Tower type - 1-1/4" - for 3/4" hose	ALL	ALL	2.00 ea.
C6AZ-18599-B	(T)	Heater Hose Connector goes on intake manifold for 289-302 V8 - In Gold Zinc Plated	F100-150	73-79	20.00 ea.



FIREWALL COVER

PART #	PIC	DESCRIPTION	MODEL	YEAR	PRICE
Note: New ABS Plastic holes are pre-cut and ready to install. Clips NOT included.					
C7TZ-8101670-ABS		Firewall Cover - with Insulation - takes 8 fasteners	F100-350	67-72	175.00 ea.
D3TZ-1001670-A		Firewall Cover - w/ Insulation - w/o air	F100-350	73-79	170.00 ea.
D3TZ-1001670-B		Firewall Cover - w/ Insulation - w/ air	F100-350	73-79	170.00 ea.



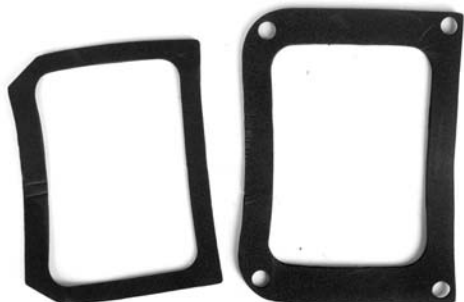
FIREWALL RELATED PARTS

PART #	PIC	DESCRIPTION	YEAR	PRICE
<u>Firewall Cover Retainer</u>				
390018-S	(A)	- Replacement - Plastic	67-72	1.00 ea.
48-7001670-CLIP	(B)	- Like Original - Metal	67-72	3.00 ea.
<u>Firewall Insulator Retainer</u>				
C8ZZ-6501691-A	(C)	- need six per truck	73-79	3.00 ea.



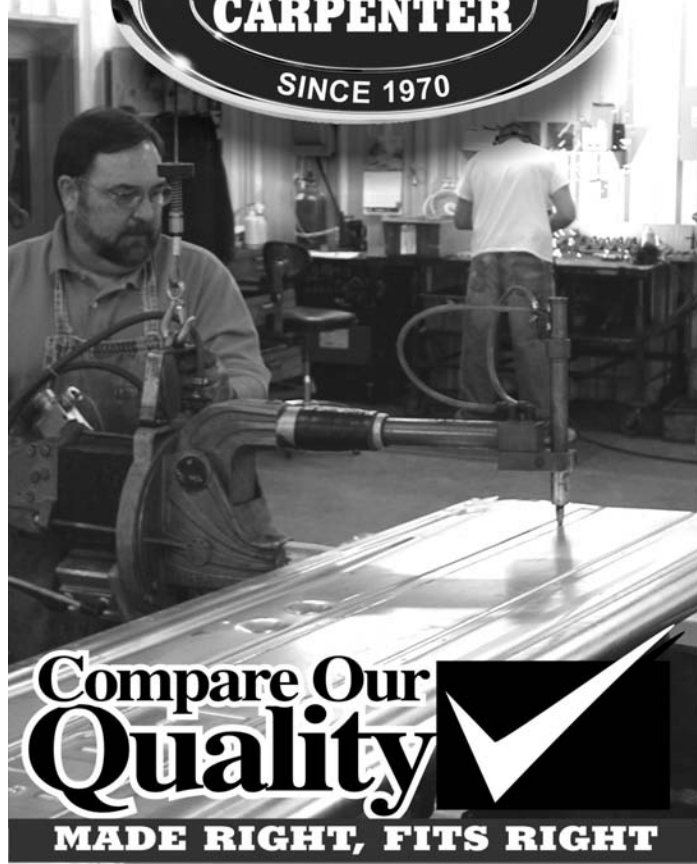
COWL SIDE AIR VENT GASKET

PART #	PIC	DESCRIPTION	MODEL	YEAR	PRICE
C7TZ-8102110-K		Cowl Side Air Vent Gasket - Driver Side	F100-350	67-72	4.50 pr.



BODY RUBBER PLUGS

PART #	PIC	DESCRIPTION	MODEL	YEAR	PRICE
378444-S	(D)	<u>Style Side Bed Side Panel Rubber Plug</u> - 1 1/8" dia. front of bed inside to access side moulding clip nut - (2) per truck	F100/250	67-69	2.00 ea.
379534-S	(E)	<u>Cowl Side Panel Inner Rubber Plug</u> - 1 7/8" dia. - (2) per truck	F100-350	67-72	2.00 ea.
380680-S	(F)	<u>Floor Pan Front Rubber Plug</u> - 1/2" x 1" dia. - (2) per truck	F100/350	65-72	2.00 ea.
390581-S	(G)	<u>Oval Rubber Plug For Firewall</u> - 1.375 x 2.875 - (3) per truck	F100-350	67-77	3.00 ea.
376966-S		<u>Firewall Rubber Grommets</u> - 5/8" O.D. - 1 on each side of firewall	Truck	All	5.00 pr.
377977-S		<u>Door Lock Pillar Rubber Grommet</u> - 27/32" I.D. 1 on each lock pillar	Truck	73-79	3.00 pr.



**Compare Our
Quality** 
MADE RIGHT, FITS RIGHT

MIRRORS

1967-79 Truck
Quality Ford Restoration Parts

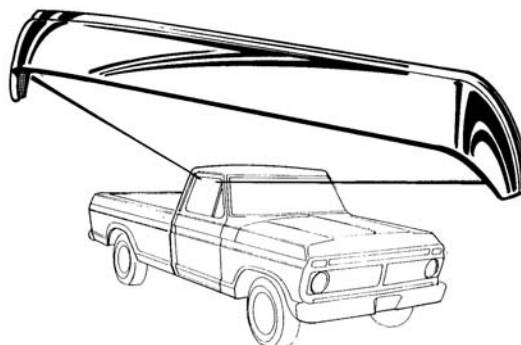
REAR VIEW MIRROR - OUTSIDE

PART #	PIC	DESCRIPTION	MODEL	YEAR	PRICE
C7TZ-17696-M		<u>Outside of Door Rear View Mirror</u> - Rectangular Head - Mfg. USA - Fits RH or LH - w/ Pads & Screws	F100-350	67-79	70.00 ea.



WINDOW VENT SHADES

PART #	PIC	DESCRIPTION	MODEL	YEAR	PRICE
D3TZ-18246		- Stainless	F100-350	73-79	40.00 pr.
C7TZ-18246		- Stainless	F100-750	67-72	40.00 pr.



EXHAUST DEFLECTORS

PART #	PIC	DESCRIPTION	MODEL	YEAR	PRICE
		<u>Exhaust Deflector</u> - Stainless Steel			
51A-18529-A	(H)	- Ford Script		ALL	16.00 ea.
51A-18529-B	(I)	- V-8		ALL	16.00 ea.
51A-18529-P		- Plain		ALL	15.00 ea.



REAR VIEW MIRROR - INSIDE

PART #	PIC	DESCRIPTION	MODEL	YEAR	PRICE
D0AZ-17700-A		<u>Inside Rear View Mirror</u> On windshield - Day/Night	F100-350	78-86	60.00 ea.



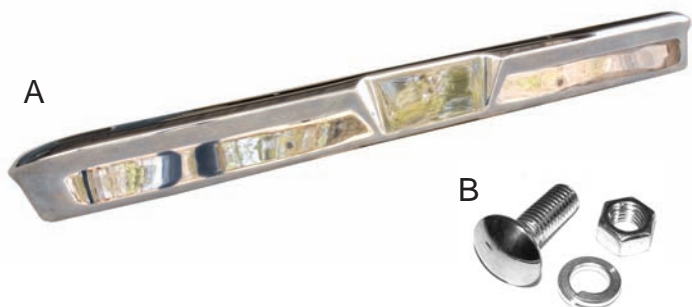
SHOCK ABSORBERS

PART #	PIC	DESCRIPTION	MODEL	YEAR	PRICE
C5TZ-18124-A	(J)	Front	F100-350	65-79	45.00 ea.
C5TZ-18125-C		Rear	F100	65-69	40.00 ea.
D0TZ-18125-A		Rear	F100-350	70-79	55.00 ea.



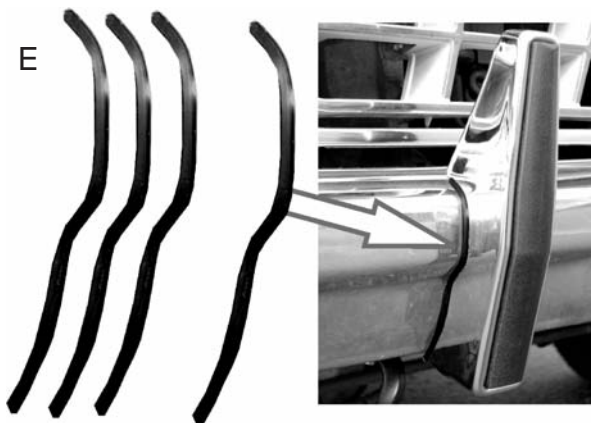
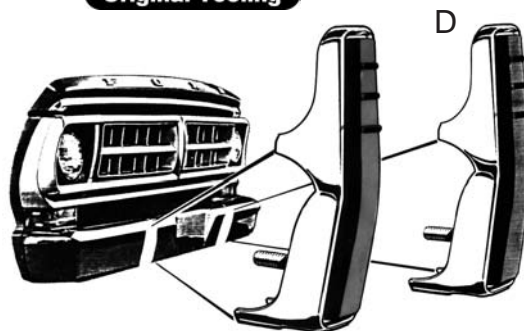
FRONT BUMPER

PART #	PIC	DESCRIPTION	MODEL	YEAR	PRICE
		<u>Chrome Front Bumper</u> - w/o horizontal pads - before serial #AG0,001 - Imported - No License Plate Holes - No Brackets, No Bolts			
C4TZ-17757-D D8TZ-17757-A	(A)		F100-350 F100-350	67-78 78-79	200.00 ea. 250.00 ea.
B9A-17758	(B)	<u>Bumper Bolt - Front</u> - w/o guards - (4) per bumper - 7/16" x 14 x 1 3/4"	ALL	67-79	3.00 ea.



FRONT BUMPER GUARD

PART #	PIC	DESCRIPTION	MODEL	YEAR	PRICE
		<u>Front Bumper Guard Pad</u> -For C4TZ-17996-A Guards - For original guards only	F100-350 F100-350	67-77 78-79	12.00 ea. 15.00 ea.
		<u>Front Bumper Guard Kit</u> <u>Exact of original</u> - w/ pads - w/ pads, nuts, & washers			
D8TZ-17984-A C4TZ-17996-A	(C) (D)		F100-350 F100-350	78-79 67-77	120.00 pr. 100.00 kit
C4TZ-17997-SET	(E)	<u>Front Bumper Guard Edge</u> <u>to Bumper Pads - set of (4)</u>	Truck	64-86	8.00 set
C4TZ-17787-SET		Rear bumper Bracket Set - Style Side Bed	F100	64-72	110.00 set

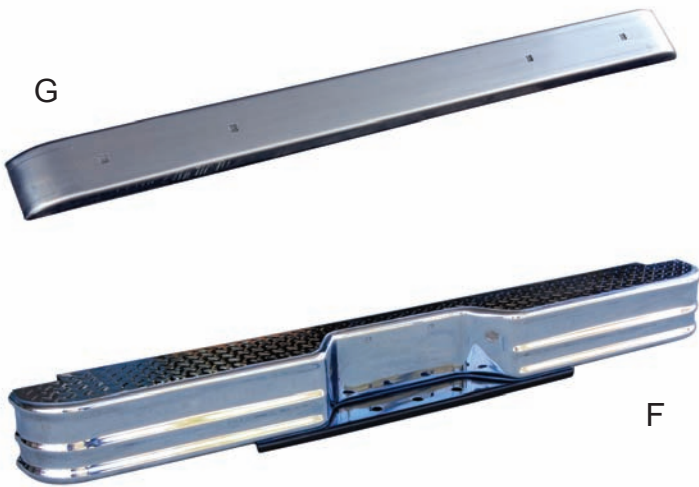


BUMPERS

1967-79 Truck
Quality Ford Restoration Parts

REAR BUMPER - STEP SIDE

PART #	PIC	DESCRIPTION	MODEL	YEAR	PRICE
BBAA-17906-A		<u>Rear Bumper - Stepside</u> - w/ Bolts, No Brackets - cold rolled steel	F100	48-72	125.00 ea.
BBAA-17906-SS		- polished stainless steel	F100	48-72	325.00 ea.
BBAA-17906-NH		<u>Rear Bumper - Stainless</u> - No holes, No bolts		67-72	325.00 ea.
C8TZ-17906-A	(F)	<u>Rear Step Bumper</u> - Chrome - w/ Brackets, Bolts, & Tag Lights	F100/350	67-96	600.00 ea.
D3TZ-17906-C	(G)	<u>Rear Bumper</u> - Cold Roll Steel - step side only - MFG. USA - No Brackets, No Bolts	F100/250	73-79	110.00 ea.



REAR BUMPER - STYLE SIDE

PART #	PIC	DESCRIPTION	MODEL	YEAR	PRICE
C4TZ-17906-B	(J)	<u>Rear Bumper - Style Side</u> - Chrome - Imported - No Bolts or Brackets	F100-250	64-72	200.00 ea.
C9TZ-13550-A	(K)	<u>License Plate Light Assy.</u> - Official Ford License - Rear w/ Ford Script - w/ Deluxe Chrome Bumper - Styleside	F100-250	64-72	47.50 ea.
D3TZ-17906-A	(L)	<u>Rear Bumper</u> <u>Style Side Bed</u>	F100-350	73-79	200.00 ea.
D3TZ-13550-A	(M)	<u>Rear License Plate Lamp</u> <u>Assembly - Style-Side</u> - takes (2)	F100-250	73-79	42.50 ea.



REAR BUMPER BOLTS

PART #	PIC	DESCRIPTION	MODEL	YEAR	PRICE
BB-17758-A	(H)	<u>Rear Bumper Bolt</u> <u>w/ Nut & Washer</u> - Steel w/ Polished Stainless Cap	F100-350	67-79	5.00 ea.
BB-17758-SS	(I)	<u>Rear Bumper Bolt</u> <u>w/ Nut & Washer</u> - Solid Stainless Steel w/ Polished Head	F100-350	64-79	5.00 ea.



REAR BUMPER - STYLE SIDE

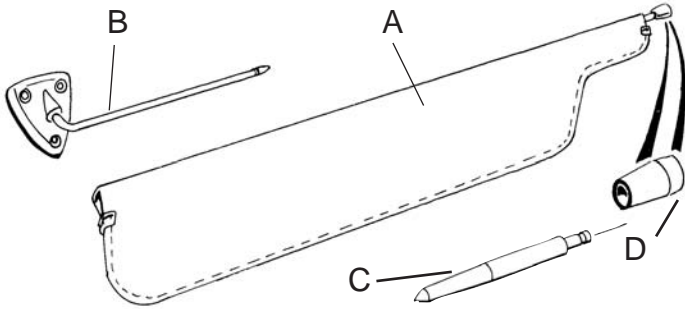
PART #	PIC	DESCRIPTION	MODEL	YEAR	PRICE
E0TZ-17906-C	(N)	<u>Rear Bumper - Style side</u> - Chrome Step Type - w/o Horizontal Pads - NO Hardware	F100/350	80-86	150.00 ea.
E0TZ-17K831-A		<u>Rear Bumper Pad</u> - Right Side - Step type	F100/350	80-86	25.00 ea.
E0TZ-17K832-A		- Left Side - Step type	F100/350	80-86	25.00 ea.



This E0TZ-17906-C Bumper and E0TZ-17K831-A and E0TZ-17K832-A Rear Bumper Pad were made for the 80-89 but it will fit the 73-79 trucks. Note that no brackets are included. You must make your own bracket to attach this bumper.

SUNVISOR

PART #	PIC	DESCRIPTION	MODEL	YEAR	PRICE
Does NOT include arm or bracket. Does NOT fit Explorer.					
C7TZ-8104104-A		- Padded - White	F100-750	67-69	50.00 ea.
D0TZ-8104104-A		- Padded - White	F100-750	70-72	50.00 ea.
D3TZ-1004104-A	(A)	- White	F100-500	73-79	50.00 ea.
D3TZ-1004104-H		- Black	F100-500	73-79	50.00 ea.

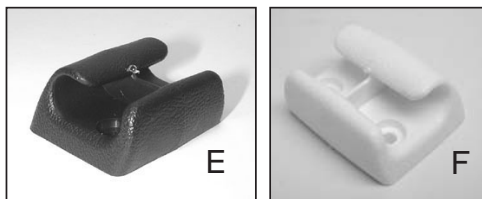


SUNVISOR ARM & BRACKET

PART #	PIC	DESCRIPTION	MODEL	YEAR	PRICE
<u>Sunvisor Arm & Bracket</u>					
C7TZ-8104145-A	(B)	- Paint to Match - LH	F100-750	67-72	25.00 ea.
C7TZ-8104144-A		- Paint to Match - RH	F100-750	67-72	25.00 ea.
C7TZ-8104145-CC	(B)	- Chrome - LH	F100-750	67-72	40.00 ea.
C7TZ-8104144-CC		- Chrome - RH	F100-750	67-72	40.00 ea.
<u>Sunvisor Arm & Bracket RH or LH</u>					
D3TZ-1004144-A	(B)	- paint to match	F100-350	73-79	25.00 ea.
D3TZ-1004144-CC		- Chrome	F100-350	73-79	40.00 ea.

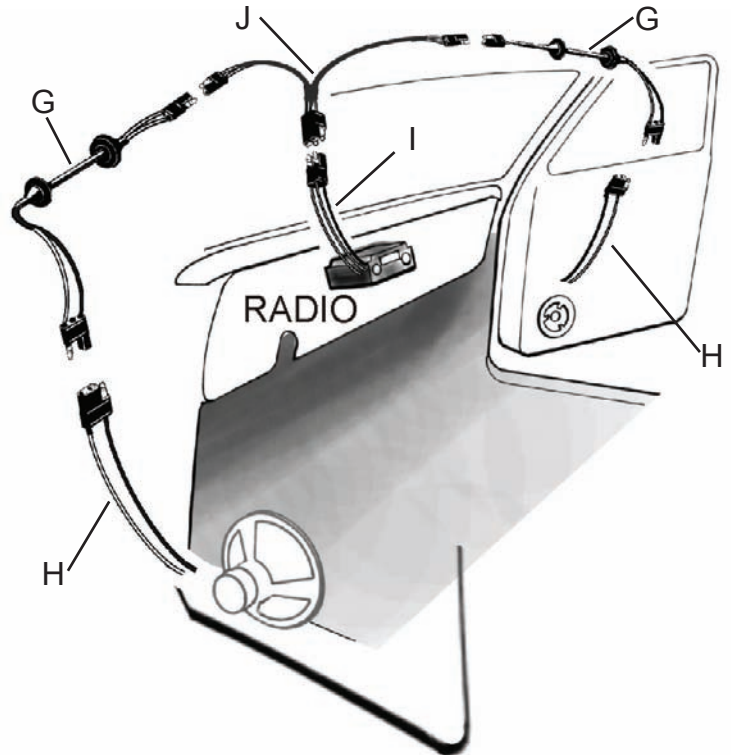
SUNVISOR ANCHOR PIN & BOOT TIP

PART #	PIC	DESCRIPTION	MODEL	YEAR	PRICE
Top Center Windshield - Paint to Match					
D5VY-6004132-D	(E)	- Black.....	F100-350	73-79	10.00 ea.
D5VY-6004132-W	(E)	- White.....	F100-350	73-79	10.00 ea.
C8ZZ-6504132-A1W	(F)	- White.....	F100-350	68-72	15.00 ea.
C8ZZ-6504132-B1A	(F)	- Black.....	F100-350	68-72	15.00 ea.
C3DZ-7604114-B		<u>Visor Anchor Pin</u> - Metal - 1 per visor	F100-750	67-69	4.00 ea.
D3AZ-6504114-B	(C)	<u>Visor Anchor Pin</u> - Plastic - w/ rubber tip	F100-350	73-79	3.00 ea.
D1DZ-6204115-A	(D)	<u>Sunvisor Arm Rubber Boot Tips</u> - 2 per truck - where sunvisor hooks to center clip	F100-350	67-79	1.00 ea.



RADIO SPEAKER WIRE - 73-79

PART #	PIC	DESCRIPTION	PRICE
All Radio Speaker Wire fits 73-79 F100-350			
D3TZ-19A123-A	(G)	Wire that crosses over door jamb from dash board to door	20.00 ea.
D3TB-18808-W	(H)	Wire the connects door jamb crossover to speaker - solder to speakers	15.00 ea.
D3TB-18806-SP	(I)	Wire from Radio to Wire Terminal that connects Left & Right Speaker Wire	15.00 ea.
D3TB-19A041-AA	(J)	Wire that connect Left & Right Door Jamb Crossover Wires to Radio Terminal	45.00 ea.



GLOVE BOX

1967-79 Truck
Quality Ford Restoration Parts

RADIO ANTENNA

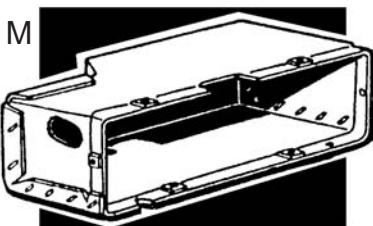
PART #	PIC	DESCRIPTION	MODEL	YEAR	PRICE
C7TZ-18813-A D3TZ-18813-A	(K)	<u>Radio Antenna</u> - Tear Drop Shaped - w/ template, mounting hardware & instructions	F100-750 F100-350	67-72 73-79	75.00 ea. 75.00 ea.
C7TZ-18898-A D3TZ-18898-AA		<u>Antenna Base Pad</u> - Included w/ Antenna - Included w/ Assembly	F100-350 F100-350	67-72 73-79	8.00 ea. 8.00 ea.
D6TZ-18813-A		<u>Radio Antenna Replacement</u> - w/ Round Mast	F100-350	73-77	50.00 ea.
376118-S		<u>Antenna Cable Clips</u> - under glove box - takes 3 - Included w/ Assembly	F100-350	67-79	1.00 ea.



Featuring
AIR FOIL SHAPED
Ariel Cross Section
Made Exactly Like The Originals

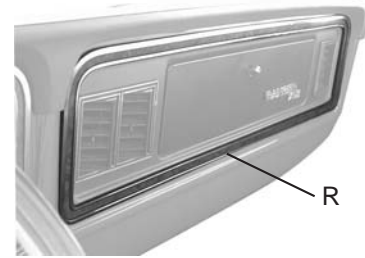
GLOVE BOX

PART #	PIC	DESCRIPTION	MODEL	YEAR	PRICE
C3AZ-14413-A		<u>Glove Box Switch & Lamp Assembly</u>	F100/350	73-79	15.00 ea.
C7TZ-8106010-A C7TZ-8106010-A C8TZ-8106010-A D3TZ-1006010-A	(M)	<u>Glove Box Liner Assy.</u> - Glove Box Liner Assy. - All Except Integral A/C - For Integral A/C	F100-750 F100-350 F100-350 F100-350	67 68-72 68-72 73-79	25.00 ea. 25.00 ea. 25.00 ea. 25.00 ea.
C7TZ-81060A08-A	(N)	<u>Glove Box Door Check Cable Assembly</u>	F100-350	67-79	3.75 ea.
C6AZ-6206066-A	(P)	<u>Glove Box Door Bumper</u> - 1 or 2 per truck	F100-350	67-79	1.00 ea.
C6AZ-6206069-A	(O)	<u>Glove Box Door Spring</u> - 1 or 2 per truck	F100-350	67-79	2.00 ea.
C7TZ-8106158-A	(Q)	<u>Glove Box Emblem</u> - "Ranger" - Stick On Type		67-69	26.00 ea.



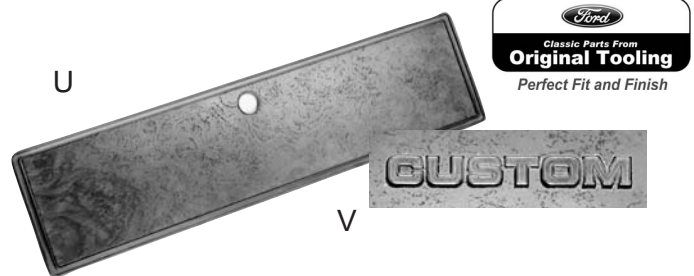
DASH TRIM AROUND GLOVE BOX

PART #	PIC	DESCRIPTION	MODEL	YEAR	PRICE
D7TZ-1004388-C		- In Black	F100-350	73-79	50.00 ea.
D7TZ-1004388-A	(R)	- In Wood Grain	F100-350	73-79	65.00 ea.



GLOVE BOX FINISH PANEL

PART #	PIC	DESCRIPTION	MODEL	YEAR	PRICE
STICK ON TYPE W/ WOOD GRAIN & CHROME EDGES IN PLASTIC					
D9TZ-1006036-B	(U)	- plain - cover only	F100-350	76-79	35.00 ea.
D7TZ-1004460-A	(V)	- "Custom" - emblem only	F100-350	77-79	25.00 ea.
D7TZ-1004460-B	(S)	- "Ranger" - emblem only	F100-350	77-79	30.00 ea.
D7TZ-1004460-C	(T)	"Ranger XLT" - emblem only	F100-350	77-79	30.00 ea.



DASH PADS

PART #	PIC	DESCRIPTION	MODEL	YEAR	PRICE
D3TZ-5004282-C		- Black	F100-750	67-72	370.00 ea.
D3TZ-5004282-N		- Tan	F100-750	67-72	370.00 ea.
D3TZ-1004282-A		- Blue	F100-350	73-79	300.00 ea.
D3TZ-1004282-C		- Black	F100-350	73-79	300.00 ea.
D6TZ-1004282-A		- Red	F100-350	73-79	300.00 ea.

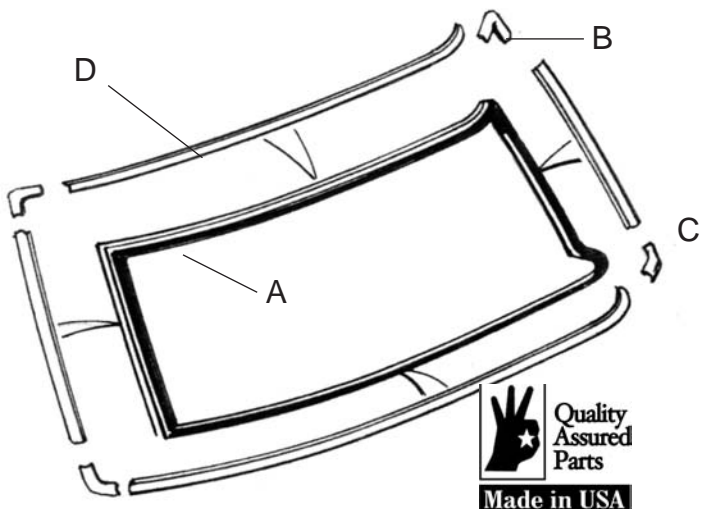


WINDSHIELD RUBBER SEAL

PART #	PIC	DESCRIPTION	MODEL	YEAR	PRICE
C7TZ-8103110-A		- w/o Groove for Chrome	F100-750	67-72	75.00 ea.
C7TZ-8103110-B		- w/ Groove for Chrome	F100-750	67-72	75.00 ea.
D3TZ-1003110-F	(A)	- w/o Groove for Chrome	F100-500 F100-350	73-77 78-79	110.00 ea.
D3TZ-1003110-E		- w/ Groove for Wide Molded Chrome	F100-500	73-76	110.00 ea.
D7TZ-1003110-B	(A)	- w/ Groove for Narrow Flexible Plastic Chrome	F100-500 F100-350	77 78-79	110.00 ea.

BACK WINDOW RUBBER

PART #	PIC	DESCRIPTION	MODEL	YEAR	PRICE
C7TZ-8142084-A		<u>Back Window Rubber</u> - No Groove for Chrome - Use w/ stationary & sliding window	F100-750	67-72	50.00 ea.
C7TZ-8142084-B		<u>Back Window Rubber</u> - w/ Groove for Chrome - Use w/ stationary window - Fits: Ranger & XLT	F100-250 F100-350	67-69 70-72	50.00 ea.
D3TZ-1042084-A		<u>Back Window Rubber</u> - No Groove for Chrome - w/ fixed or sliding rear window	F100-500 F100-350	73-77 78-79	75.00 ea.
D3TZ-1042084-C		<u>Back Window Rubber</u> - w/ Groove for Wide Molded Chrome & fixed rear window - Before Serial #080,000	F100-350	73-77	75.00 ea.
D7TZ-1042084-A		- From Serial # 080,000	F100-350	78-79	75.00 ea.
E0TZ-1040860-A		Sliding Back Window Latch Assembly - Plastic	F100-350	73-96	15.00 ea.
D7TZ-1042430-KIT		<u>Flexible Plastic Chrome Moulding Kit</u> for Back Window with Narrow Plastic Chrome & Fixed Rear Window - From Serial # 080,000 - Rubber Seal Sold Sep.	F100-350	77-79	35.00 kit



This cross-sections of the rubber windshield seals show the difference between the seals with groove for moulding and without.



WINDSHIELD CHROME MOULDINGS

PART #	PIC	DESCRIPTION	MODEL	YEAR	PRICE
D7TZ-10030A42-B	(B)	<u>Upper Windshield Corner Moulding</u>	F100-350	77-79	7.50 pr.
D7TZ-1003122-B	(C)	<u>Lower Windshield Corner Moulding</u>	F100-350	77-79	7.50 pr.
D7TZ-8103136-SET	(D)	<u>Windshield Chrome Plastic Moulding Set</u> From Serial # 080,001 Includes: - 7 pcs. (1) D7TZ-1003148-A (1 pr) D7TZ-10030A42-B (1 pr) D7TZ-1003122-B	F100-500	77-79	45.00 set
D7TZ-1003148-A		<u>Windshield Chrome Plastic Moulding Only</u> - 15' - No Corners			30.00 ea.

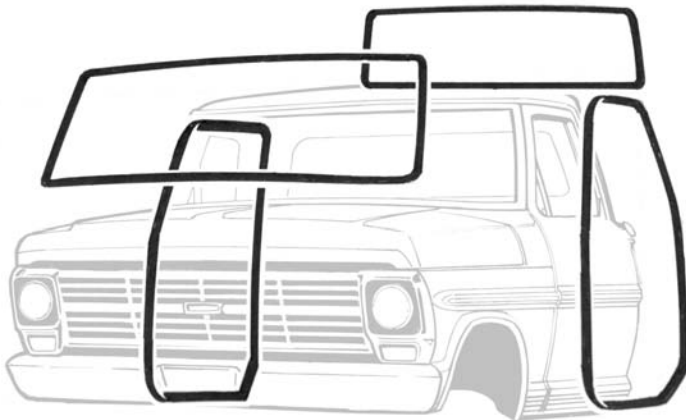


WEATHERSTRIP KIT

1967-79 Truck
Quality Ford Restoration Parts

CAB WEATHERSTRIP KIT

PART #	DESCRIPTION	MODEL	YEAR	PRICE
Includes windshield seal, door seals, & rear window seal				
CAB67-A	C7TZ-8103110-A - No chrome groove C7TZ-8142084-A - No chrome groove C7TZ-8120530-PR	F100-750	67-72	160.00 kit
CAB67-B	C7TZ-8103110-B - w/chrome groove C7TZ-8142084-B - w/chrome groove C7TZ-8120530-PR	F100-750	67-72	160.00 kit
CAB73-A	- no groove for chrome D3TZ-1003110-F - No chrome D3TZ-1042084-A - No chrome D3TZ-1020530-PR	F100/350	73-79	200.00 kit
CAB73-B	- groove for wide metal type chrome D3TZ-1003110-E - w/chrome groove D3TZ-1042084-C - w/chrome groove D3TZ-1020530-PR	F100/350	73-79	200.00 kit
CAB77-B	- groove for narrow plastic type chrome D7TZ-1003110-B - w/chrome groove D7TZ-1042084-A - w/chrome groove D3TZ-1020530-PR	F100/350	73-79	200.00 kit



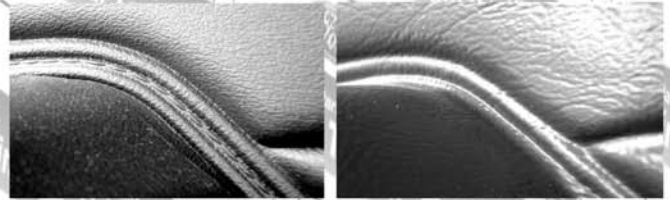
WEATHERSTRIP GLUE

PART #	PIC	DESCRIPTION	MODEL	YEAR	PRICE
COAZ-19554-A		Weatherstrip Glue comes in a tube			10.00 ea.



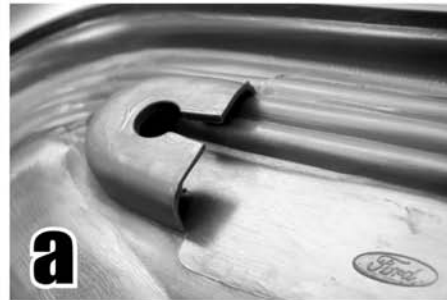
COAZ-19554-A

See the difference that original tooling makes.

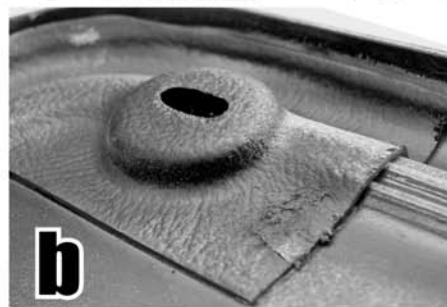


A Dennis Carpenter door panel made from the original Ford mold.

The same application door panel made by others using less than accurate mold tooling.



When you see this label, you know it's made from the original Ford tooling



Another notable difference

Picture (a) depicts a door panel fastener mount which is located on the reverse side of the door panel. Our fastener mounts are molded in this manner and are part of the door panel, like the originals, making a stronger fixture to hold the door panel fasteners.

Picture (b) illustrates how some other manufactures use generic fastener mounts that are glued into place which could delaminate later causing a rattling door panel.

If reproduction part quality, accuracy, and performance is important in your Ford's restoration, rest assured that Dennis Carpenter Ford Reproduction, Officially Licensed, and Original Tooling parts meet or exceed the standards set by the originals.

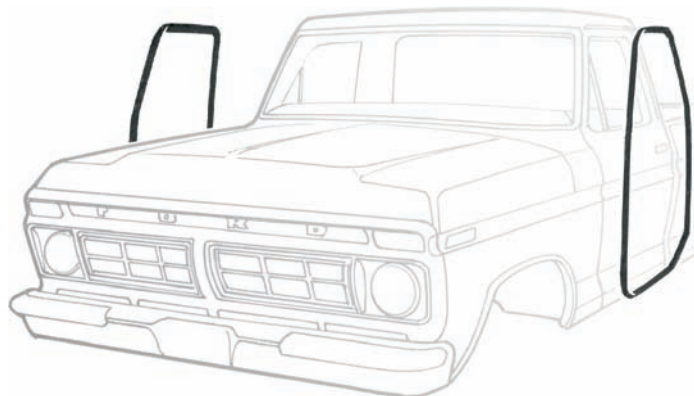
DOOR ASSEMBLY

PART #	PIC	DESCRIPTION	MODEL	YEAR	PRICE
Must be shipped by Truck. Does NOT include Hardware. Does NOT include \$75.00 crating fee					
D9TZ-1020124-A		Imported - RH	F100/350	73-79	225.00 ea.
D9TZ-1020125-A		Imported - LH	F100/350	73-79	225.00 ea.



DOOR SEALS

PART #	PIC	DESCRIPTION	MODEL	YEAR	PRICE
C7TZ-8120530-PR		Door Seal Kit	F100-750	67-72	60.00 pr.
D3TZ-1020530-PR		Door Seal Kit - Cut to Fit - Regular Cab - Crew Cab Front - Crew Cab Rear	F100-800 F250-350 F250-350	73-79 73-79 73-79	60.00 pr.
D8TZ-1020518-PR		Upper Door Seal - On top of door frame - 65" long	F100-800	78-79	57.00 pr.



BODY SIDE PANEL GROMMET

PART #	PIC	DESCRIPTION	YEAR	PRICE
377977-S	(Z)	Body Side Panel Rear Rubber Grommet - (1)pr. per vehicle on top of side panel at rear	73-79	3.00 pr.



Z

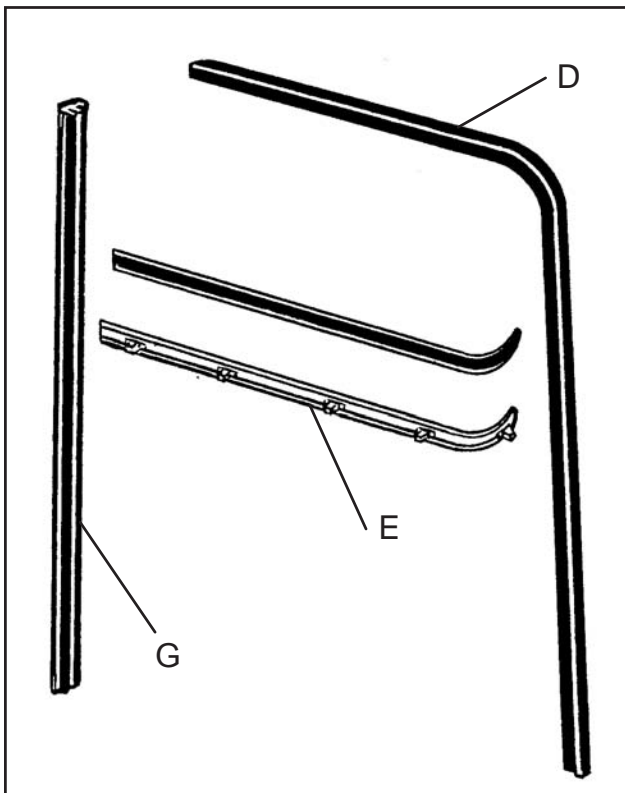


ANTI-RATTLERS

1967-79 Truck
Quality Ford Restoration Parts

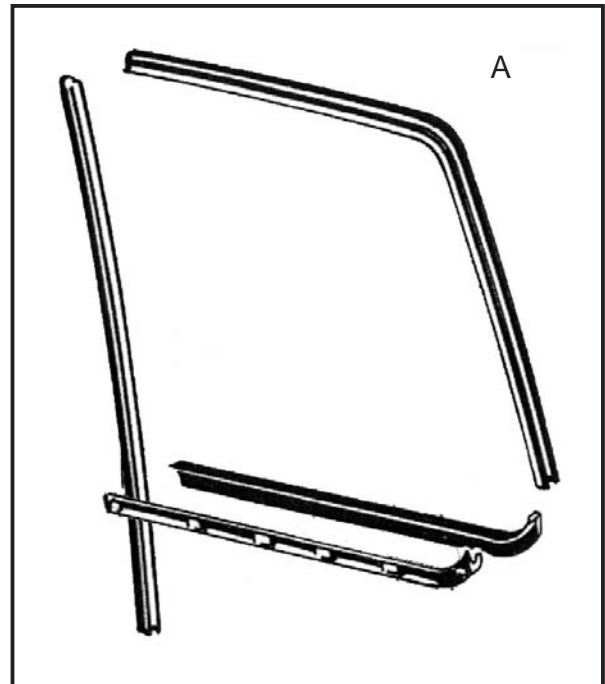
DOOR / WINDOW ANTI-RATTLERS - 67-72

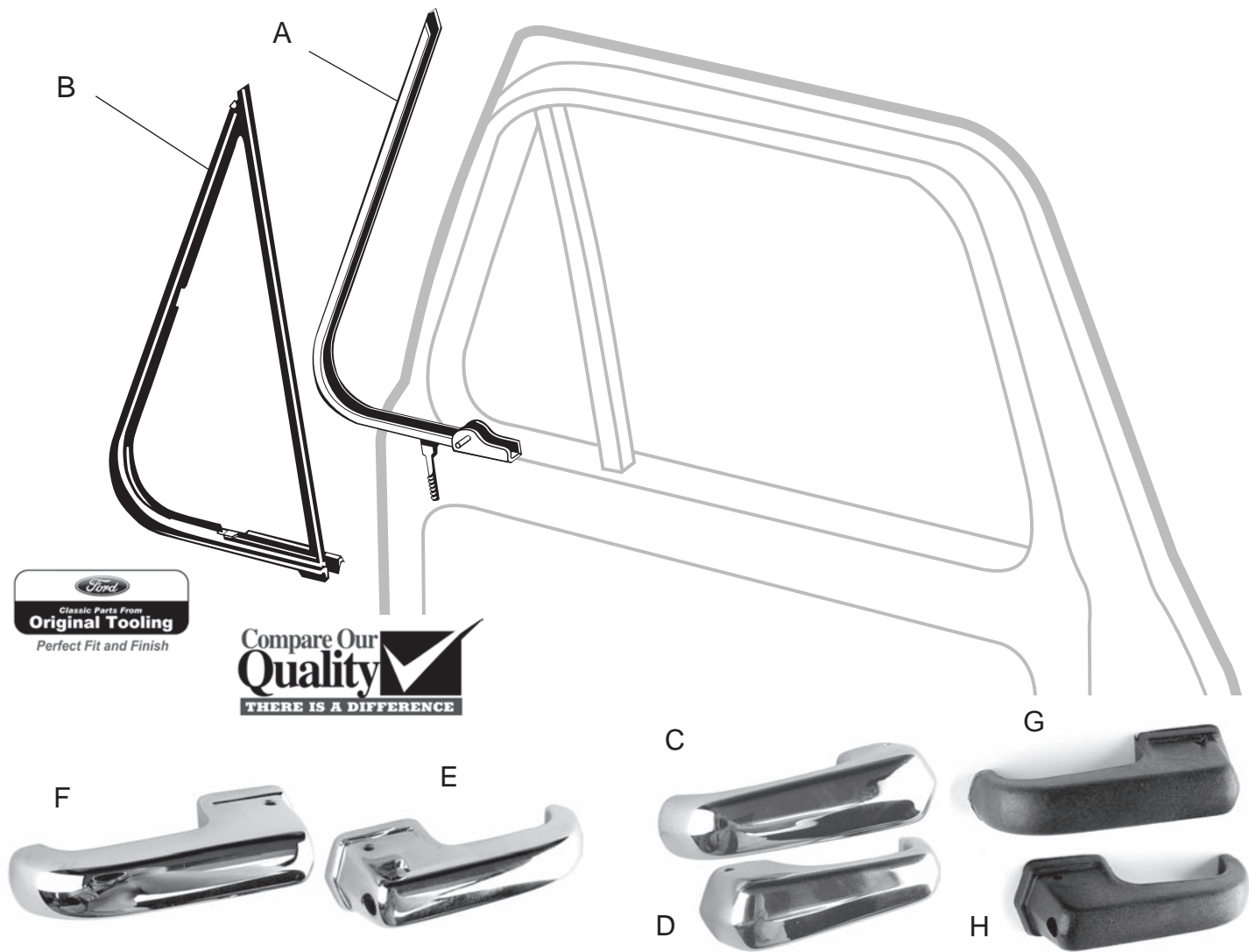
PART #	PIC	DESCRIPTION	MODEL	YEAR	PRICE
C7TZ-8121508	(D)	<u>Door Glass Run</u> - top & backside door glass anti-rattler before Serial #40,001 for 1971	F100-750	67-72	30.00 ea.
C7TZ-8121452-PR	(E)	<u>Anti-Rattlers (felt outside)</u> - w/ Black Bead	F100-750	67-71	30.00 pr.
C7TZ-8121452-SS		- w/ Stainless Bead	F100-750	67-71	35.00 pr.
D1TZ-8121452		<u>Door Glass Anti-Rattler</u> From Serial #40,001 - RH - (1) pr. does 1 side	F100-750	71-72	45.00 pr.
D1TZ-8121453		- LH - (1) pr. does 1 side	F100-750	71-72	45.00 pr.
C7TZ-8121546-A	(G)	<u>Division Bar Glass Run</u>	F100-750	67-72	15.00 ea.
C7TZ-8121460-CA		<u>Window Anti-Rattler Kit</u> - w/ Black Bead - Does both doors Includes: (2) C7TZ-8121508 (2) pr C7TZ-8121452-PR (2) C7TZ-8121546-A (before Serial #40,001 for 1971)	F100-750	67-71	140.00 kit
C7TZ-8121460-SS		<u>Window Anti-Rattler Kit</u> <u>w/ Stainless Steel bead</u> on anti-rattler on inner & outer bead - Does both doors Includes: (2) C7TZ-8121508 (2) C7TZ-8121452-SS (2) C7TZ-8121546-A		67-71	150.00 kit
D1TZ-8121460-CA		<u>Window Anti-Rattler Kit</u> - Does both doors Includes: (2) C7TZ-8121508 (1) D1TZ-8121452 (1) D1TZ-8121453 (2) C7TZ-8121546-A. (from Serial #40,001 for 1972)		71-72	160.00 kit



DOOR ANTI-RATTLERS - 73-79

PART #	PIC	DESCRIPTION	MODEL	YEAR	PRICE
D3TZ-1021460-CA	(A)	<u>Complete Window</u> <u>Anti-Rattler Kit</u> - for Both Doors - Kit includes: (1) D7TZ-1021452-PR (1) D7TZ-1021453-PR (2) D3TZ-1021536-A (2) D3TZ-1021546-A	F100-800	73-79	170.00 kit
D7TZ-1021452-PR		<u>Door Glass Anti-Rattlers</u> - Right Door	F100-800	73-79	45.00 pr.
D7TZ-1021453-PR		- Left Door	F100-800	73-79	45.00 pr.
D3TZ-1021536-A		<u>Door Glass Run</u> - Top & Back side door glass anti-rattler - Right or Left Side - 2 per truck	F100-800	73-79	20.00 ea.
D3TZ-1021546-A		<u>Division Bar Glass Run</u> - 2 per truck	F100-800	73-79	25.00 ea.





VENT WINDOW SEALS & FRAME

PART #	PIC	DESCRIPTION	MODEL	YEAR	PRICE
C7TZ-8121448-PR		<u>Vent Window Seals</u> - No Fasteners	F100-750	67-72	75.00 pr.
B5A-7022926-A		<u>Vent Window Pivot Spring</u>	F100-350	61-96	5.00 ea.
	(B)	<u>Vent Window Seal</u> Made in U.S.A. No Rivets			
D3TZ-1021448-A		- RH	F100-800	73-79	65.00 ea.
D3TZ-1021449-A		- LH	F100-800	73-79	65.00 ea.
D3TZ-1021448-PR		- RH or LH	F100-800	73-79	130.00 pr.
		<u>Vent Window Frame</u> Before Serial #Y00.001			
D3TZ-1021608-A		- RH	F100-800	73-77	Coming!
D3TZ-1021609-A		- LH	F100-800	73-77	Coming!
	(A)	<u>Vent Window Frame</u> From Serial # Y00.001			
D7TZ-1021608-A		- RH	F100-800	78-79	Coming!
D7TZ-1021609-A		- LH	F100-800	78-79	Coming!

VENT WINDOW HANDLES

PART #	PIC	DESCRIPTION	MODEL	YEAR	PRICE
C60Z-6222916-PR		<u>Vent Window Handle</u> - RH & LH	F100-750	67	35.00 pr.
		<u>Vent Window Handle</u> Before Serial # Y00.001			
C80Z-5422916-B	(C)	- RH	F100-500	68-77	15.00 ea.
C80Z-5422917-B	(D)	- LH	F100-500	68-77	15.00 ea.
		<u>Vent Window Handle</u> w/button (From Serial # Y00.001 will work on 1979, but not correct)			
C8UZ-8922916-A	(E)	- RH	F100-350	77-78	30.00 ea.
C8UZ-8922917-A	(F)	- LH	F100-350	77-78	30.00 ea.
		<u>Vent Window Handle</u> w/button - In Black plastic Original Tooling			
D8UZ-1122917-A	(G)	- LH	F100-350	79	25.00 ea.
D8UZ-1122916-A	(H)	- RH	F100-350	79	25.00 ea.

ANTI-RATTLERS

1967-79 Truck
Quality Ford Restoration Parts

DOOR WINDOW LIFT CHANNEL

PART #	PIC	DESCRIPTION	MODEL	YEAR	PRICE
C7TZ-8121458-A		Door Glass Lift Channel - RH or LH	F100-750	67-72	20.00 ea.
D9TZ-1021458-A	(I)	Door Glass Lift Channel - RH	F100-800	73-79	30.00 ea.
D9TZ-1021459-A		Door Glass Lift Channel - LH	F100-800	73-79	30.00 ea.

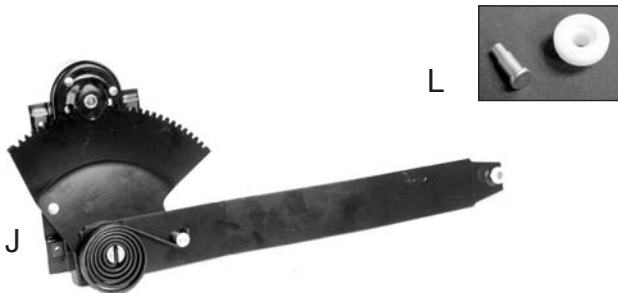


DOOR GLASS GLASS KIT

PART #	PIC	DESCRIPTION	MODEL	YEAR	PRICE
8A-7021478		Door Glass Channel to Glass Tape Kit		ALL	6.00 kit

WINDOW REGULATOR

PART #	PIC	DESCRIPTION	MODEL	YEAR	PRICE
	(J)	Window Regulator			
C7TZ-8123200-A		- RH	F100-750	67	100.00 ea.
C7TZ-8123201-A		- LH	F100-750	67	100.00 ea.
C8TZ-8123200-A		- RH	F100-750	68-72	100.00 ea.
C8TZ-8123201-A		- LH	F100-750	68-72	100.00 ea.
	(K)	Window Regulator	F100-350	73-79	
D8TZ-1023200-A		- RH - Original Tooling			100.00 ea.
D8TZ-1023201-A		- LH - Original Tooling			100.00 ea.
D8TZ-1023200-X		- RH - IMPORTED			50.00 ea.
D8TZ-1023201-X		- LH - IMPORTED			50.00 ea.
C5AZ-57262A32-A	(L)	Window Regulator Roller - Plastic w/ pin - 11/16 O.D X 1/2" thick	F100-350	68-79	5.00 ea.



J

L



K

WINDOW CRANK HANDLE - 73-79

PART #	PIC	DESCRIPTION	MODEL	YEAR	PRICE
		Inside Window Crank Handle & Black Knob			
C7TZ-8123342-A	(M)	- with screw - RH or LH	F100-750	67	27.00 ea.
C8AZ-6223342-A		- w/o knob - RH or LH	F100-750	68-72	20.00 ea.
D3AZ-6523342-A	(N)	- w/ clear plastic knob	F100-500	73-79	26.00 ea.
D4TZ-1023342-A	(O)	- w/ black knob	F100-500	73-79	25.00 ea.
C7TZ-8123342-B		Inside Window Crank Handle & Black Knob - with screw - RH or LH - NOT original tooling	F100-750	67	15.00 ea.
C8AZ-6223370-A		Inside Window Crank Handle Escutcheon - Plastic	F100-350	68-79	2.50 ea.
C8AZ-6223362-A	(P)	Inside Window Crank Handle Screw Cover	F100-750	68-72	2.50 ea.

M



Compare Our Quality TRIPLE CHROME, LASTS LONGER



N



O

P

WINDOW CRANK HANDLE KNOBS & PIN

PART #	PIC	DESCRIPTION	MODEL	YEAR	PRICE
C1TZ-8123345	(Q)	- Black	F100-750	67	6.00 ea.
D1AZ-6523352-K	(R)	- Black - Original Tooling	F100-750	68-72	7.50 ea.
D1SZ-6523352-B		- Blue - Original Tooling	F100-750	68-72	7.50 ea.
C8AZ-6223352-A1D		- Bright Red	F100-750	68-72	7.50 ea.
D1AZ-6523352-D		- Parchment	F100-750	68-72	7.50 ea.
D1AZ-6523352-H		- Green	F100-750	68-72	7.50 ea.
D1AZ-6523352-F		- Maroon - Original Tooling	F100-750	68-72	7.50 ea.
D3AZ-6523352-A	(S)	- Clear	F100-350	73-79	7.50 ea.
D4TZ-1023352-A		- Black	F100-350	73-79	7.50 ea.



Q



R



S

INSIDE DOOR HANDLES

PART #	PIC	DESCRIPTION	MODEL	YEAR	PRICE
C7TZ-8122600-A	(A)	- RH or LH	F100-750	67	12.00 ea.
C8AZ-6222600-B	(B)	- RH	F100-750	68-72	25.00 ea.
C8AZ-6222601-B		- LH	F100-750	68-72	25.00 ea.
D3TZ-1022600-A	(C)	Inside Door Handle - RH	F100-350	73-79	10.00 ea.
D3TZ-1022601-A		Inside Door Handle - LH	F100-350	73-79	10.00 ea.



INSIDE DOOR HANDLE CUP

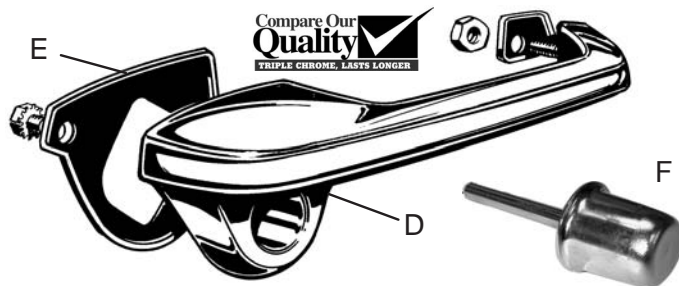
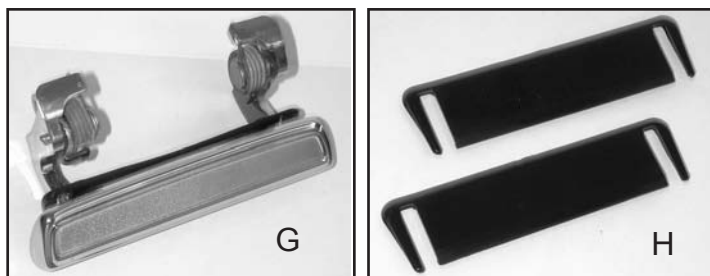
PART #	PIC	DESCRIPTION	MODEL	YEAR	PRICE
<i>Fits in door panel</i>					
C8AZ-6222634-A1A		- Black	F100-350	68-72	10.00 ea.
C8AZ-6222634-A1B		- Blue	F100-350	68-72	10.00 ea.
C8AZ-6222634-A1D		- Red	F100-350	68-72	10.00 ea.
C8AZ-6222634-A2U		- Parchment	F100-350	68-72	10.00 ea.

Featuring molded grippers securing the cup to door panel



OUTSIDE DOOR HANDLES

PART #	PIC	DESCRIPTION	MODEL	YEAR	PRICE
<i>Handles include screws and pad - C7TZ Does not include push button</i>					
	(D)	Outside Door Handle			
C7TZ-8122404-A		- RH	F100-750	67-72	60.00 ea.
C7TZ-8122405-A		- LH	F100-750	67-72	60.00 ea.
C7TZ-8122428	(E)	Outside Door Handle Pad Set	F100-750	67-72	8.00 set
C7TZ-8122454-A	(F)	Door Handle Button	F-100-750	67-72	15.00 ea.
	(G)	Outside Door Handle			
D8BZ-5422404-X		- RH - w/ pad - Imported	F100-350	73-79	40.00 ea.
D8BZ-5422405-X		- LH - w/ pad - Imported	F100-350	73-79	40.00 ea.
D3TZ-1022448-PR	(H)	Outside Door Handle Pads	F100-350	73-79	10.00 pr.



DOOR COMPONENTS

1967-79 Truck
Quality Ford Restoration Parts

DOOR LOCK CYLINDERS & KEYS

PART #	PIC	DESCRIPTION	MODEL	YEAR	PRICE
C7TZ-8121984-PR		Door Lock Set - w/ (2) Keys - RH & LH		67-72	60.00 pr.
C7TZ-8122050-A	(I)	Ignition Cylinder Assy. w/ (2) Door Lock Cylinders - includes Two Keys		67-72	60.00 set
D3TZ-1021984-PR		Door Lock Cylinder and Key Set - RH & LH	F100-350	73-79	50.00 pr.
D8TZ-1022050-D	(J)	Ignition Cylinder Assembly & 2 Door Lock Cylinders with 2 Keys	F100-500	73-78	80.00 ea.
F58Z-1622023-AA		Door Lock Cylinder Retainer	F100/350	73-96	7.00 ea.



DOOR LOCK KNOBS

PART #	PIC	DESCRIPTION	MODEL	YEAR	PRICE
C5DZ-6221999-B	(K)	Door Lock Knob Grommet	F100-750	68-72	2.00 ea.
C8AZ-6221850-A	(L)	Door Lock Knob - Chrome	F100-350	68-72	5.00 ea.
D5TZ-1021850-A	(M)	Door Lock Knob - Black Plastic	F100-350	73-79	4.00 ea.
D50Z-6521850-B	(N)	Door Lock Knob - Chrome - Plastic	F100-350	73-79	5.00 ea.



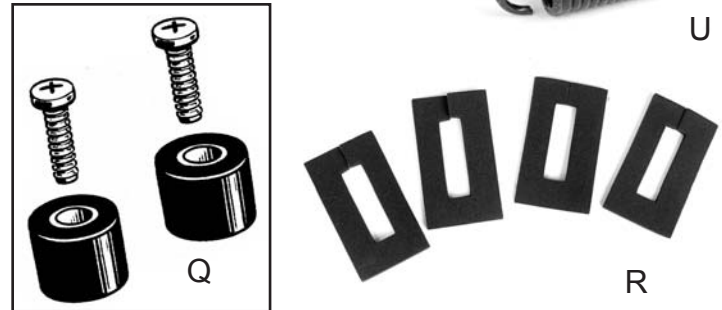
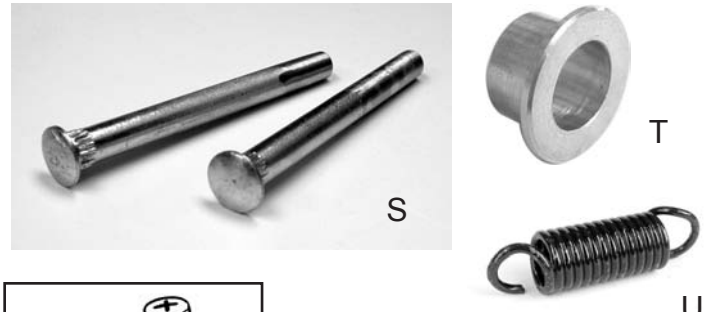
DOOR LOCK ROD RETAINER CLIP

PART #	PIC	DESCRIPTION	MODEL	YEAR	PRICE
E3TZ-1021952-A	(O)	Door Latch Rod Clip - Black - (4) per door	F100-350	73-74	1.00 ea.
E1DZ-5421952-A		- (2) per vehicle	F100-350	76-77	2.00 ea.
D9BZ-5421952-B		- (2) per vehicle	F100-350	78-79	5.00 ea.
D4TZ-1021952-B		- Green Color	F100-350	74	1.00 ea.
E6AZ-5421952-A	(P)	Door Latch Control Rod Retainer - 2 per door	F100-350	73-79	2.00 ea.



MISCELLANEOUS DOOR PARTS

PART #	PIC	DESCRIPTION	MODEL	YEAR	PRICE
380478-S	(Q)	Door Bumper - 1pr. does both doors	F-100-750	67-72	5.00 pr.
C7TZ-8122803	(R)	Door Hinge to Door Seal - Set of (4)	F-100-750	67-72	6.00 set
B9A-5943030-A	(S)	Door Hinge Pin	F-100-750	67-72	3.00 ea.
C3AZ-5422841-B	(T)	Door Hinge Pin Bushing	F-100-750	67-71	1.50 ea.
C7TZ-8123528-A	(U)	Door Hinge Check Spring	F-100-750	67-72	3.00 ea.



DOOR LOCK COMPONENTS

PART #	PIC	DESCRIPTION	MODEL	YEAR	PRICE
D2VY-65219A38-B	(V)	Front Door Latch Rod Bushing - RH & LH	F100-500	73-77	3.00 ea.
D2AZ-6522008-A	(W)	Door Latch Striker Plate RH or LH	F100-350	73-79	25.00 ea.



DOOR LATCH LINK ASSEMBLY

PART #	PIC	DESCRIPTION	MODEL	YEAR	PRICE
C8AZ-6221818-A	- RH		Truck	68-72	20.00 ea.
C8AZ-6221819-A	- LH		Truck	68-72	20.00 ea.

DOOR PANELS

PART #	PIC	DESCRIPTION	MODEL	YEAR	PRICE
<i>All Our Door Panels Are Made Off of ORIGINAL FORD TOOLING and Complete With Armrest and Plastic Clips to Hold Panel to Door Does NOT include Finger Cups.</i>					
D8TZ-1023942-F6B		- Blue - RH	F100-350	73-79	100.00 ea.
D8TZ-1023943-F6B		- Blue - LH	F100-350	73-79	100.00 ea.
D8TZ-1023942-F9A		- Black - RH	F100-350	73-79	100.00 ea.
D8TZ-1023943-F9A		- Black - LH	F100-350	73-79	100.00 ea.
D8TZ-1023942-F5D		- Red - RH	F100-350	73-79	100.00 ea.
D8TZ-1023943-F5D		- Red - LH	F100-350	73-79	100.00 ea.

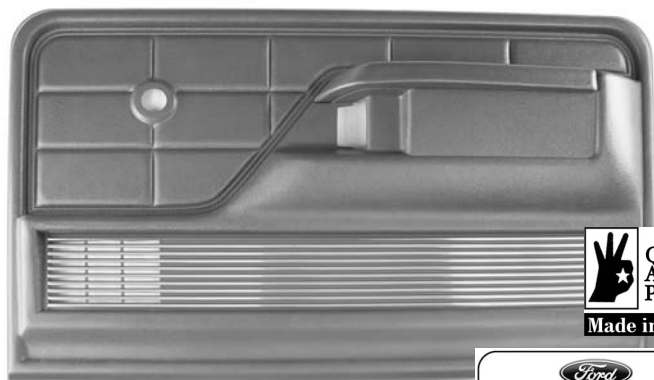


Molded in
ORIGINAL FORD
Colors
Make your Ford look like new!



DOOR PANELS - XLT

PART #	PIC	DESCRIPTION	MODEL	YEAR	PRICE
<i>Includes Chromed Grille. Includes Arm Rest & Clips for XLT Models Does NOT include Upper Vinyl or Woodgrain Panel. Does NOT include Finger Cups</i>					
D8TZ-1023942-J9A		- Black - RH	F100-350	73-79	115.00 ea.
D8TZ-1023943-J9A		- Black - LH	F100-350	73-79	115.00 ea.
D8TZ-1023942-J6B		- Blue - RH	F100-350	73-79	115.00 ea.
D8TZ-1023943-J6B		- Blue - LH	F100-350	73-79	115.00 ea.
D9TZ-1023942-J9D		- Red - RH	F100-350	73-79	115.00 ea.
D9TZ-1023943-J9D		- Red - LH	F100-350	73-79	115.00 ea.



DOOR PANEL CLIPS

PART #	PIC	DESCRIPTION	MODEL	YEAR	PRICE
(A) Door Panel Plastic Clip					
		- holds door panel to door			
*387477-S		- (8) per door	F100-350	73-79	1.50 ea.
*387477-SET		- Set of (16)	F100-350	73-79	20.00 set
(B) Door Panel Metal Clip - set of 50					
C8AZ-7020015		- For door panels that take metal clips			9.50 set
		- fits 73-75 only when using old door panels			

DOOR PANELS - OFF COLOR SECONDS

Special Deal - Off Color Seconds
Does not include Trim, Arm Rest or Upper Vinyl or Woodgrain Panel
During production we make color changes resulting in off color panels. Must be painted and comes with clips. Call for availability.

PART #	PIC	DESCRIPTION	MODEL	YEAR	PRICE
D3TZ-1023942-PR		Door Panels - must be painted - Comes with Clips	F100/350	73-79	100.00 pr.



A



B

DOOR ARM REST

PART #	PIC	DESCRIPTION	MODEL	YEAR	PRICE
C70Z-6224140-B	(C)	Door Arm Rest - Black - 9" Long - RH or LH	F-100-350	67	35.00 ea.
C8TZ-8127540-C1A	(D)	- Black - RH	F-100-750	68-72	30.00 ea.
C8TZ-8127541-C1A		- Black - LH	F-100-750	68-72	30.00 ea.
D3TZ-1024140-E		- RH - Black	F100-350	73-79	40.00 ea.
D3TZ-1024141-E		- LH - Black	F100-350	73-79	40.00 ea.
D3TZ-1024140-J		- RH - Blue	F100-350	73-79	40.00 ea.
D3TZ-1024141-J	(E)	- LH - Blue	F100-350	73-79	40.00 ea.
D3TZ-1024140-F		- RH - Red	F100-350	73-79	40.00 ea.
D3TZ-1024141-F		- LH - Red	F100-350	73-79	40.00 ea.



ARM REST FINGER CUPS

PART #	PIC	DESCRIPTION	MODEL	YEAR	PRICE
Finger Cups are paint to match items & are RH or LH					
D3TZ-1024142-A	(F)	Arm Rest Finger Cup - w/o Screws	F100-350	73-79	12.00 ea.
D3TZ-1024142-RD		- Black			
D3TZ-1024142-BU		- Red			
D3TZ-1024142-M	(G)	Arm Rest Finger Cups - Black Metal - w/ Screws	F100-350	73-79	10.00 pr.



Quality comes standard.

(Chrome grille optional)

Classic Parts From **Original Tooling**

Dennis Carpenter offers standard interior door panels in black, blue and red. We also offer XLT versions which include chrome lower grille bars. The choice is yours.

We use the same heat stamping process that Ford did to apply the bright aluminum foil to the door panel grille area. This heat and pressure application system ensures a firm mechanical bond between the foil and ABS plastic panel that adhesive-type chrome applications can't match.

DENNIS CARPENTER
SINCE 1970

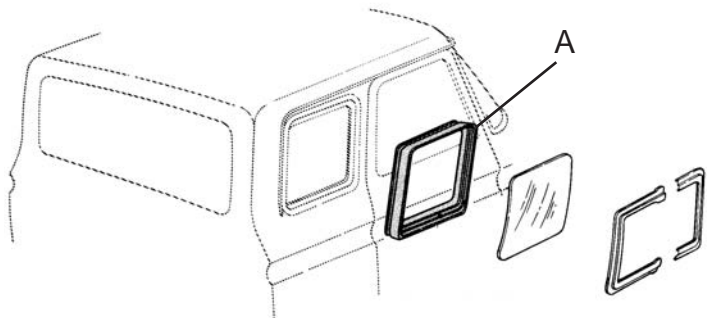
Compare Our **Quality**

NO COMPROMISES

with parts that look right and fit right

QUARTER WINDOW SEAL - SUPER CAB

PART #	PIC	DESCRIPTION	MODEL	YEAR	PRICE
D4TZ-1029904-A	(A)	- Stationary type - w/o Moulding	F100-350	74-79	60.00 pr.
D7TZ-1329904-A	(A)	- Stationary type - w/ Stainless Moulding	F100-350	74-79	60.00 pr.
D7TZ-1329904-S		- Stationary type - with Groove for Flexible Plastic - Chrome Mouldings	F100-250	74-79	60.00 pr.
D4TZ-1029904-C		- Movable Windows	F100-350	77-79	60.00 pr.

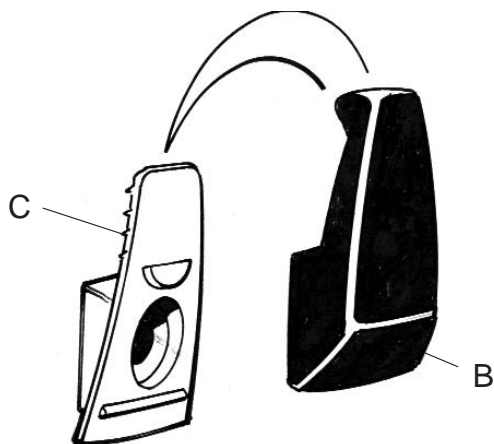


QUARTER WINDOW CHROME & HINGE

PART #	PIC	DESCRIPTION	MODEL	YEAR	PRICE
D7TZ-1042430-KIT		<u>Flexible Plastic Chrome Moulding Kit</u> - for Stationary Quarter Window with Groove for Moulding	F100-350	77-79	35.00 kit
D7TZ-1042436-A		<u>Flexible Plastic Chrome Moulding Connector</u>	F100-350	77-79	5.00 ea.
D5FZ-73302A12-A		<u>Quarter Window Plastic Hinge Assy.</u> - For Swing Out Window - (2) per window	F100-350	73-79	15.00 ea.

COAT HANGER HOOK

PART #	PIC	DESCRIPTION	MODEL	YEAR	PRICE
E0AZ-5429024-A	(B)	<u>Coat Hanger Hook</u> - Black Slips Over Retainer	F100-350	68-86	3.00 ea.
C8AZ-6229232-A	(C)	<u>Coat Hook Retainer</u> - Plastic	F100-350	68-86	3.00 ea.



SEAT BACK PIVOT COVERS

PART #	PIC	DESCRIPTION	Model	YEAR	PRICE
For Bench Seats with Non-movable Seat Backs ONLY					
<u>Seat Back Pivot Covers - Chrome Plated Plastic</u>					
C7TZ-8161694-PR	(D)	Left & Right Hand	F100-350	67-72	35.00 pr.
D6TZ-1061694-A		Right Hand	F100-350	74-79	25.00 ea.
D6TZ-1061695-A		Left Hand	F100-350	74-79	25.00 ea.



SEAT TRACK ADJUSTMENT KNOB/CLIP

PART #	PIC	DESCRIPTION	Model	YEAR	PRICE
C5AZ-6261753-BA	(E)	Seat Track Adjustment Knob - Black - F100-350 w/ clip		65-86	2.50 ea.
C5AZ-6262060-A	(F)	Seat Adjustment Knob Retainer Clip - F100-350 - Sold Separately		65-86	1.50 ea.



CAB INTERIOR

1967-79 Truck
Quality Ford Restoration Parts

SCUFF PLATES

PART #	PIC	DESCRIPTION	MODEL	YEAR	PRICE
C7TZ-8113208-PR		Door Scuff Plates	F100-750	67-72	70.00 pr.
C7TZ-8113209-B		Door Scuff Plate - Left Side Only - NOS - Genuine Ford	F100-750	67-72	54.00 ea.
D6TZ-1013208-PR	(G)	Regular Cab & Crew Cab Front	F100-350	73-79	100.00 pr.
D4TZ-1013208-PR		Crew Cab - Supercab - Rear	F100-350	74-79	120.00 pr.

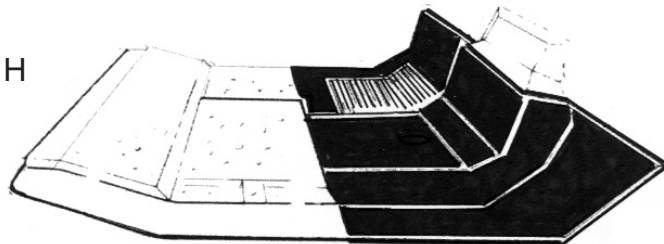


G



FLOOR MATS - REPLACEMENT

PART #	PIC	DESCRIPTION	MODEL	YEAR	PRICE
Does NOT go beside seats - Replacement Type Made of Black Rubber. No Sound Deadner					
C5TZ-8113000		- 5" Transmission hump		67-72	90.00 ea.
C5TZ-8113010-A		- 8" Hump w/ 4 spd trans.		65-72	100.00 ea.
D3TZ-1013010-RL	(H)	- low trans. hump - 5"	F100/350	73-79	80.00 ea.
D3TZ-1013010-RH		- high trans. hump - 8"	F100/350	73-79	80.00 ea.

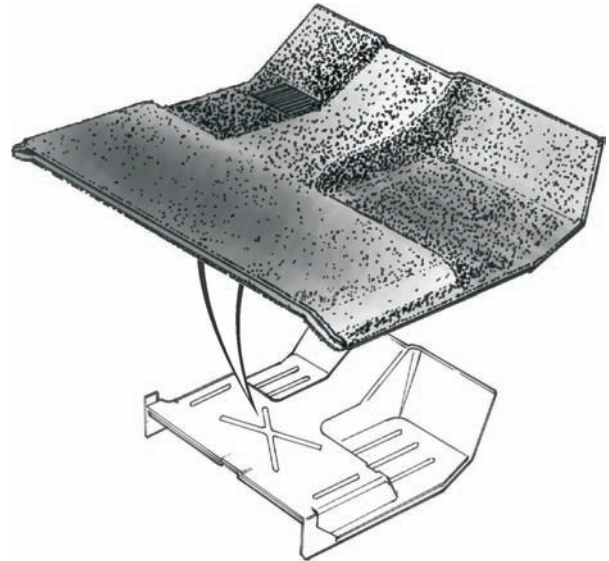


H



FLOOR CARPET

PART #	PIC	DESCRIPTION	MODEL	YEAR	PRICE
C7TZ-8113000-B		Front Floor Carpet - Black - w/ jute backing - Ex. 4 spd & C6 trans.	F100-350	67-79	200.00 ea.



FLOOR MATS

PART #	PIC	DESCRIPTION	YEAR	PRICE
Accessory - Throw type with Ford Crest in White				
C0AB-6213086-BL		Front - Black	60-64	110.00 pr.
C0AB-6213086-RD		Front - Red	60-64	110.00 pr.



See our full page ad in back of catalog

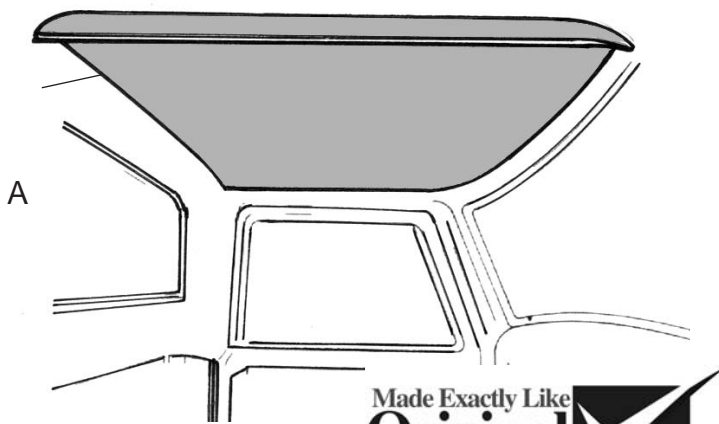
In the future we may produce Floor Mats in Blue and White if there is demand.

HEADLINERS

PART #	PIC	DESCRIPTION	MODEL	YEAR	PRICE
*C8TZ-8151968-A		- Gray - 57.5" x 31"	F-100-750	67-72	110.00 ea.
*C8TZ-8151968-PL		- Perforated	F-100-750	67-72	110.00 ea.
D3TZ-1051990-G	(A)	- Gray - Stan. Interior	F100-350	73-79	100.00 ea.
D3TZ-1051990-B		- w/ Perforated Holes	F100-350	73-79	60.00 ea.
		- Non-Perforated	F-100-750	67-72	110.00 ea.

METAL REPAIR PANELS

PART #	PIC	DESCRIPTION	MODEL	YEAR	PRICE
D6TZ-10280A58-A		Body Side Rear Cab Corner - RH - Full Length LIMITED SUPPLY LH SOLD OUT	F100-350	73-79	50.00 ea.
C7TZ-8120378-R	(B)	Inner Door Bottom Panel - RH	F100-750	67-72	65.00 ea.
C7TZ-8120378-L		- LH	F100-750	67-72	65.00 ea.
D3TZ-8120378-R		- RH	ALL	73-79	70.00 ea.
D3TZ-8120378-L		- LH	ALL	73-79	70.00 ea.
C7TZ-8120200		Door Lower Outside Repair Panel - RH or LH - 22" x 33"	F100-750	67-72	75.00 ea.
D3TZ-8120200-R	(C)	Door Outer Skin - RH	F100/350	73-79	85.00 ea.
D3TZ-8120201-L		- LH	F100/350	73-79	85.00 ea.
D3TZ-9927843-A		Upper Bed Side Repair Panel (above rear wheel) - LH	F100-250	78-79	30.00 ea.
D3TZ-9927842-A		- RH	F100-250	78-79	30.00 ea.
C7TZ-8140302-R	(D)	Cab Back Lower Corner Panel - RH	F100-750	67-72	30.00 ea.
C7TZ-8140303-L		- LH	F100-750	67-72	30.00 ea.
D3TZ-8140302-R	(D)	- RH - 18" x 10"	ALL	73-79	30.00 ea.
D3TZ-8140303-L	(D)	- LH - 18" x 10"	ALL	73-79	30.00 ea.
C7TZ-8110110-PR		Rocker Repair Panels		67-72	60.00 pr.
D3TZ-8110110-PR	(E)	Lower Outer Rocker Panel Patch - Sold in Pairs	F100-350	73-79	40.00 pr.
D3TZ-1051704-C		Roof Side Drip Rail Steel Repair Panel - RH - Reg. Cab LIMITED SUPPLY LH SOLD OUT	F100-350	73-79	35.00 ea.

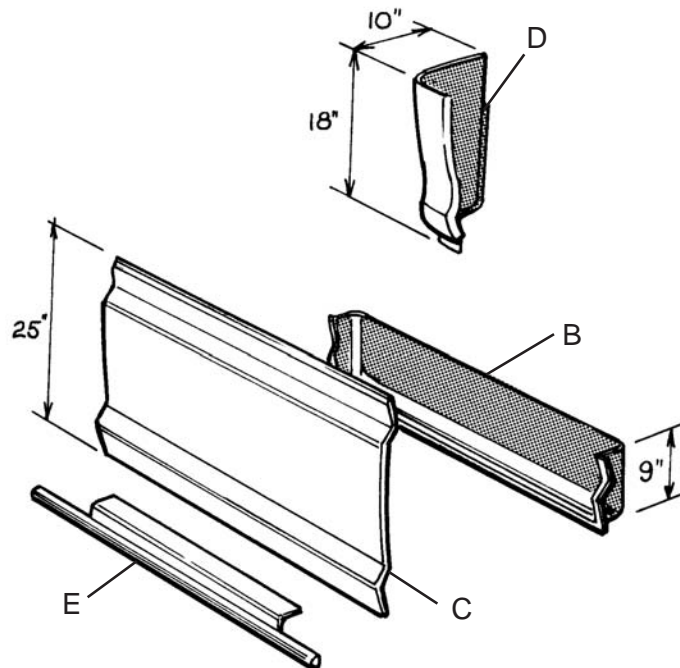
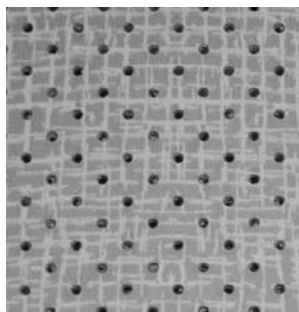


Made Exactly Like
Original
NOT A GENERIC REPLACEMENT



Non-Perforated

Perforated

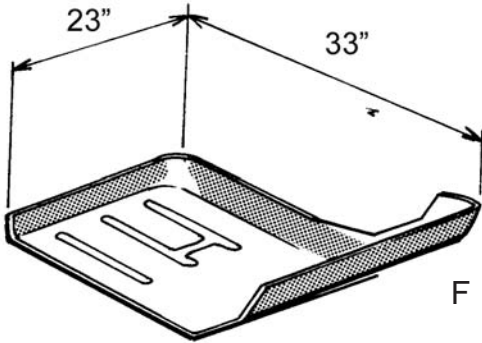


SHEET METAL

1967-79 Truck
Quality Ford Restoration Parts

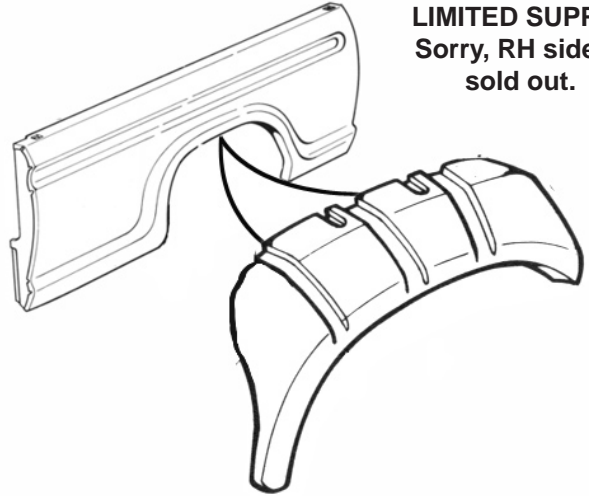
FLOOR PAN

PART #	PIC	DESCRIPTION	MODEL	YEAR	PRICE
	(F)	<u>Floor Pan</u> - Front Section - 23" x 33"			
C7TZ-1011135-R		- RH	F100-350	65-79	60.00 ea.
C7TZ-1011135-L		- LH	F100-350	65-79	60.00 ea.
C5TZ-8110624	(G)	<u>Floor Pan Center Reinforcement Ends</u> - (2) per truck		67-72	80.00 ea.



INSIDE WHEELHOUSE PANEL

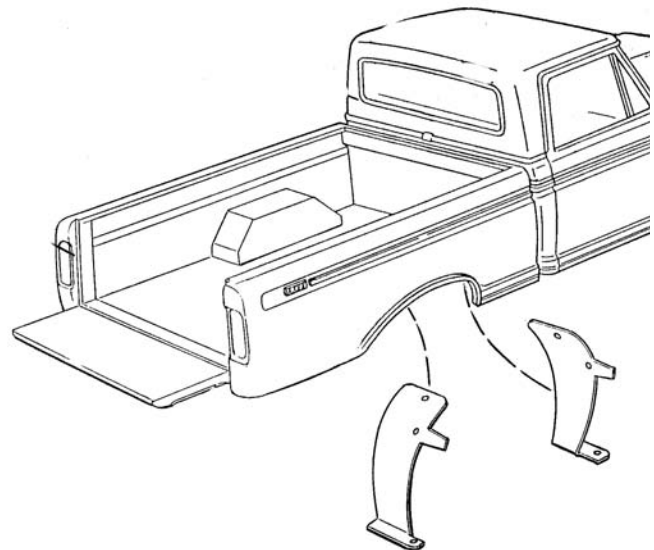
PART #	PIC	DESCRIPTION	MODEL	YEAR	PRICE
D4TZ-9927887-A		<u>Inside Wheelhouse Panel</u> - Genuine Ford	F100-250	73-79	100.00 ea.
		- LH - Styleside	F100-350	77-79	
		From Serial # S20,001 to #Y60,001	F350	73-79	
		From Serial # Y60,001			
		Crew Cab			



LIMITED SUPPLY
Sorry, RH side is sold out.

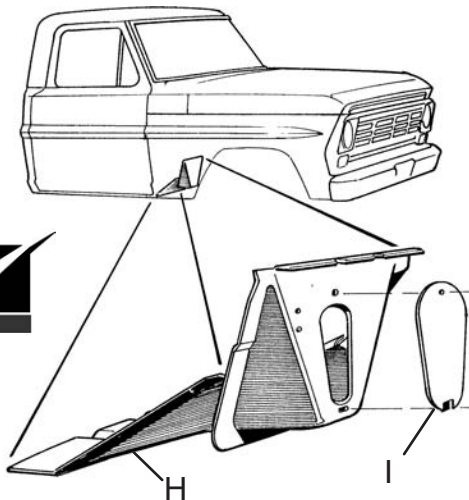
REAR WHEEL OPENING SPLASH SHIELD

PART #	PIC	DESCRIPTION	MODEL	YEAR	PRICE
D7TZ-9928370-A		<u>Rear Wheel Opening Splash Shield</u>	F100/350	76-79	15.00 ea.
		- From Serial # Y80,001			
		- Takes (4) per truck			
		- RH or LH			



CAB MOUNTS

PART #	PIC	DESCRIPTION	MODEL	YEAR	PRICE
C5TZ-10112A70	(H)	<u>Front Cab Mount</u> - RH	F100/250	65-79	85.00 ea.
C5TZ-10112A71		<u>Front Cab Mount</u> - LH	F100-250	65-67	85.00 ea.
C8TZ-10112A71		- LH	F100-250	68-79	85.00 ea.
C5TZ-81111B80-A	(I)	<u>Cab Mount Inspection Plate</u>	Truck	65-79	10.00 ea.



Compare Our Quality 
MADE IN THE U.S.A.

TAILGATE - STYLE SIDE

PART #	PIC	DESCRIPTION	MODEL	YEAR	PRICE
C7TZ-9940700-A	(A)	Tailgate - (No Hardware) - Manufactured USA - Double Sided Galvanized Steel to prevent rusting from inside	F100-250	64-72	400.00 ea.
C7TZ-9940700-R		Tailgate - Styleside - Imported - Thinner metal - No Ford Letters	F100-250	67-72	200.00 ea.

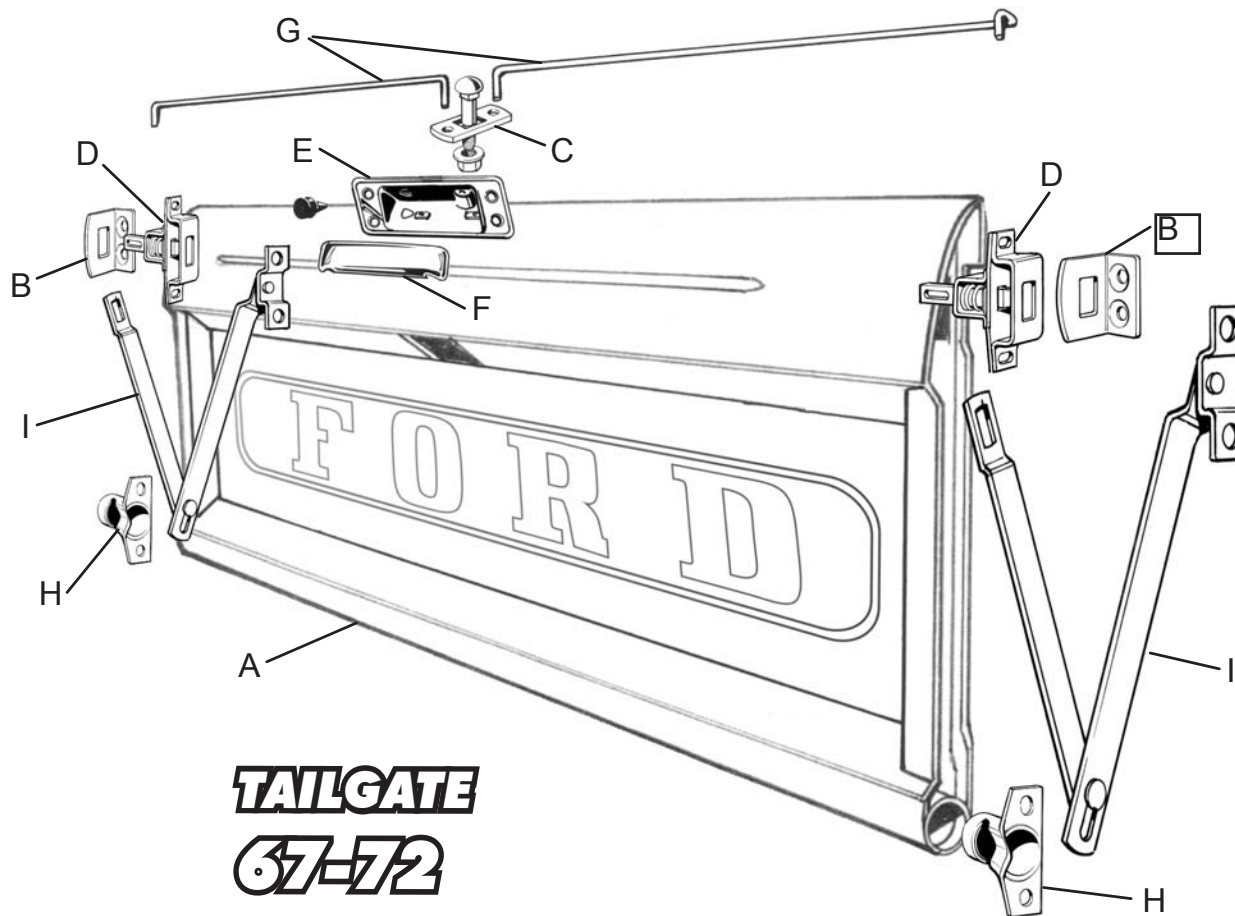


TAILGATE LATCH RELATED - STYLE SIDE

PART #	PIC	DESCRIPTION	MODEL	YEAR	PRICE
C4TZ-99431B54-A	(B)	Tailgate Body Latch - (2) per truck	F100-250	64-72	15.00 ea.
C4TZ-99431D72-S	(C)	Tailgate Release Lever & Bolt Assembly	F100-250	64-72	15.00 ea.
C4TZ-99431D76-A	(D)	Tailgate Latch Release Bracket Assembly - RH or LH	F100-250	64-72	45.00 ea.
C4TZ-99431C78-B	(E)	Latch Release Handle Mounting Plate - Zinc Plated	F100-250	67-72	30.00 ea.
C4TZ-99431C78-SS		- Polished Stainless Steel	F100-250	64-72	40.00 ea.
52363-S4		Latch Release Handle Mounting Plate Screws - Stainless - Set of (4)	F100-250	64-72	2.00 set
C4TZ-99431B82-A	(F)	Latch Release Handle - Zinc Plated	F100-250	67-72	25.00 ea.
C7TZ-99431B82-A		- Chrome Plated	F100-250	67-72	33.00 ea.
C7TZ-99431B82-SS		- Stainless Steel	F100-250	67-72	30.00 ea.
C4TZ-99431A78-PR	(G)	Tailgate Release Lever Rods	F100-250	64-72	15.00 pr.

TAILGATE HINGE & SUPPORTS - STYLE SIDE

PART #	PIC	DESCRIPTION	MODEL	YEAR	PRICE
C4TZ-9943000-A	(H)	Tailgate Hinge - RH or LH	F100-250	64-72	25.00 ea.
C4TZ-9944400-A	(I)	Tailgate Supports - (2) per truck	F100-250	67-72	35.00 ea.



**TAILGATE
67-72**

TAILGATE MOULDINGS - STYLE SIDE

PART #	PIC	DESCRIPTION	MODEL	YEAR	PRICE
Tailgate Mouldings include Clips					
C7TZ-9941018-B	(A)	Lower Tailgate Moulding	F100-350	67-72	65.00 ea.
		Upper Tailgate Moulding			
C7TZ-9941018-A	(B)	- RH	F100-250	67-69	40.00 ea.
C7TZ-9941019-A	(C)	- LH	F100-350	67-69	40.00 ea.
C7TZ-99423A94-A	(D)	- Center	F100-250	67-69	30.00 ea.
C7TZ-9942570-A	(E)	Tailgate Side Moulding - need (2) per truck			25.00 ea.

TAILGATE MOULDING CLIPS

PART #	PIC	DESCRIPTION	YEAR	PRICE
C7TZ-99407A12-A	(F)	Upper & Lower Moulding Clip - RH & LH	67-72	2.50 ea.
C7TZ-99407A12-B	(G)	Upper Moulding Clip - RH & LH	67-72	2.00 ea.
C7TZ-99407A12-D	(H)	End Moulding Clip - RH & LH	67-72	2.50 ea.
C7TZ-99407A12-C	(I)	Lower Moulding Clip	67-72	2.00 ea.

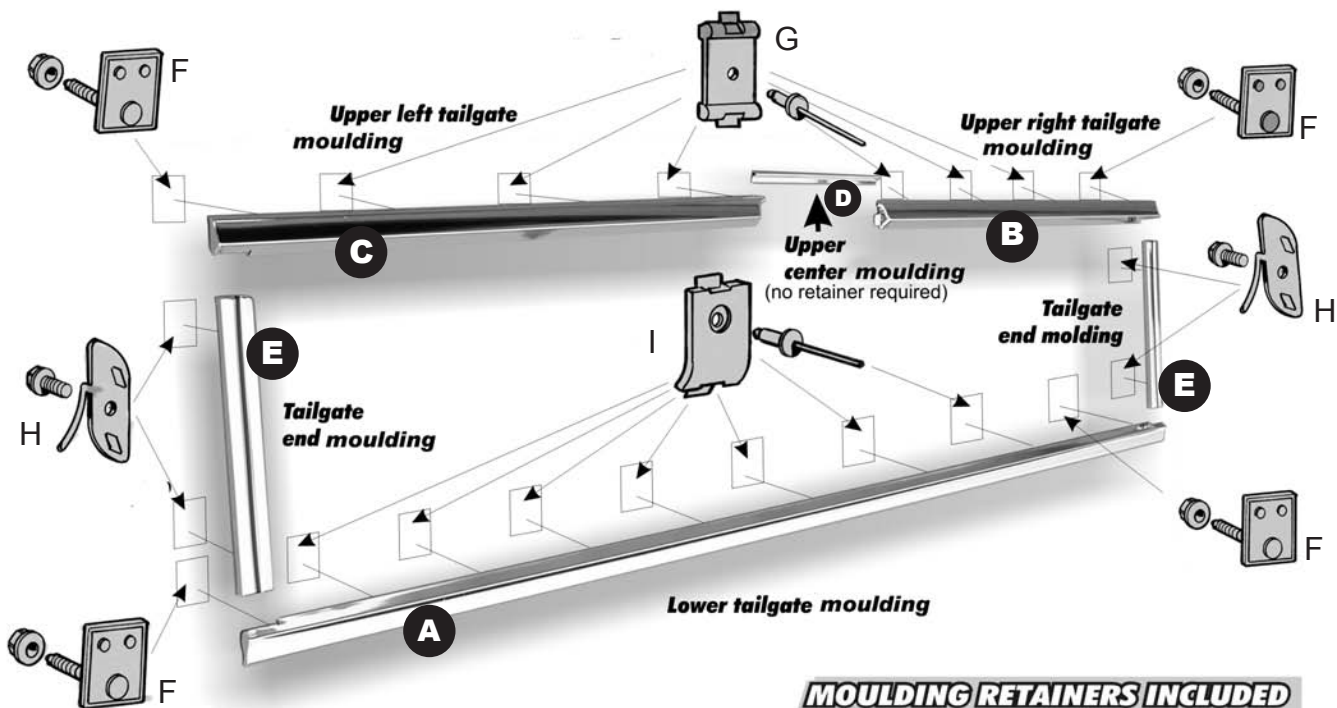
TAILGATE FINISH PANEL - STYLE SIDE

PART #	PIC	DESCRIPTION	MODEL	YEAR	PRICE
Finish Panels are made of Aluminum and include Rivets					
C8TZ-99425A34-A		Outside Finish Panel Fits: - Custom & Ranger before serial # F70,001 - Sport Custom	F100-250	68-70	200.00 ea.
D1TZ-99425A34-A		Outside Finish Panel - Sports Custom	F100-250	71-72	200.00 ea.



1967-72 Ford F100/250 Tailgate Mouldings

Placement and quantity of the moulding retainers are shown below. Applies to left or right side.



MOULDING RETAINERS INCLUDED
Each side moulding comes complete with factory type moulding retainers

TAILGATE - STYLE SIDE

PART #	PIC	DESCRIPTION	MODEL	YEAR	PRICE
D7TZ-9940700-A	(A)	Tailgate - No Hardware	F100-350	73-79	400.00 ea.
					
D7TZ-9940700-R		Tailgate- Style Side - Imported - NO Ford Letters - Thinner Metal	F100/350	73-79	200.00 ea.

A

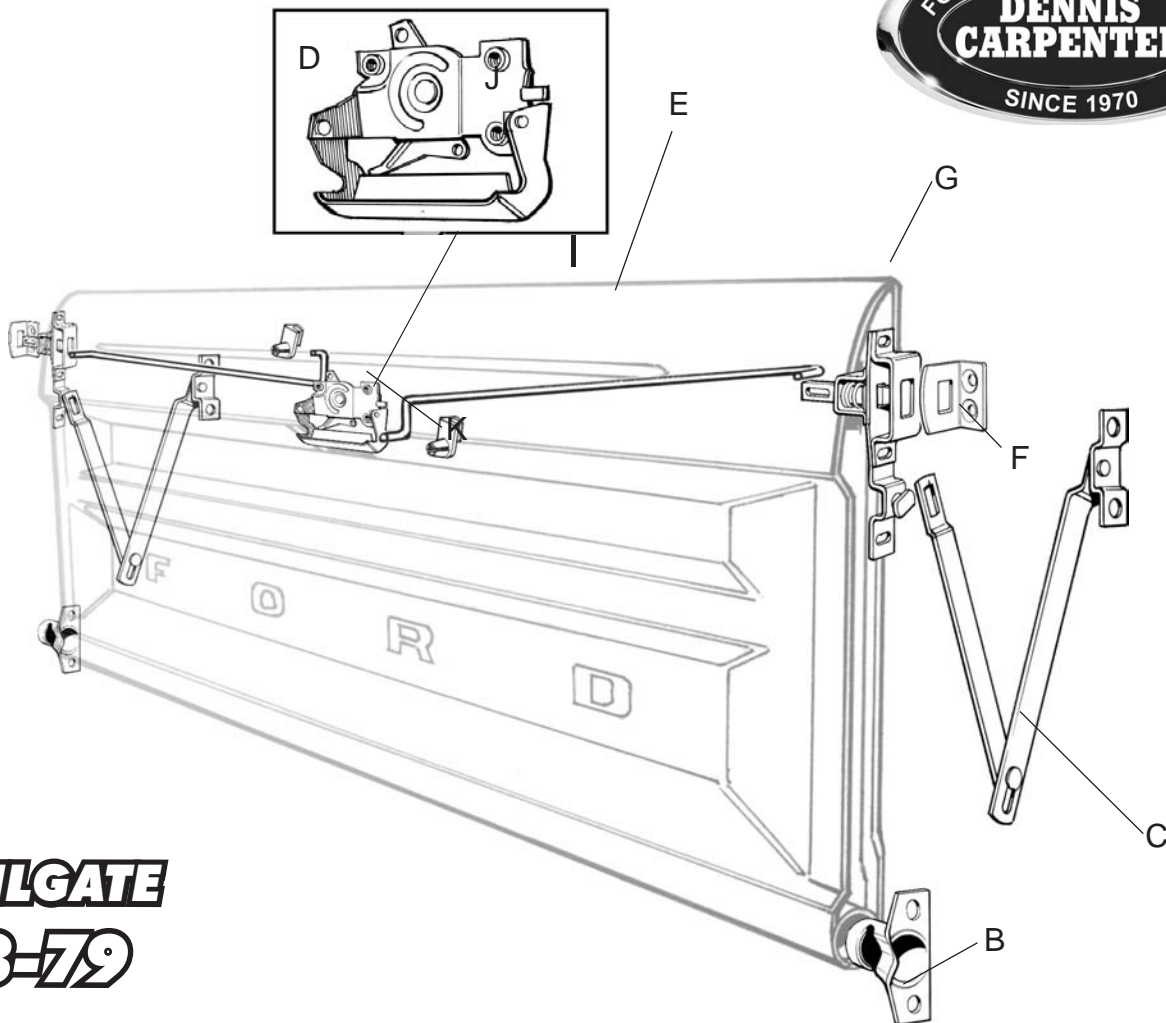


TAILGATE HINGE & SUPPORTS-STYLE SIDE

PART #	PIC	DESCRIPTION	MODEL	YEAR	PRICE
D3TZ-9943018-A	(B)	Tailgate Hinge - (2) per truck	F100-350	73-79	20.00 ea.
C4TZ-9944400-A	(C)	Tailgate Support - (2) per truck	F100-350	67-79	35.00 ea.

TAILGATE LATCH RELATED - STYLE SIDE

PART #	PIC	DESCRIPTION	MODEL	YEAR	PRICE
D6TZ-9943400-A	(D)	Tailgate Release Lever - zinc plated	F100-350	73-79	70.00 ea.
D9TZ-9943400-AC		- chrome	F100-350	73-79	90.00 ea.
E1DZ-5421952-A		Tailgate Handle Rod Retainer Clip	F150-350	76-79	2.00 ea.
E6AZ-5421952-A		Tailgate Handle to Rod Bushing - (2) per truck	F100-350	74-86	2.00 ea.
D6TZ-99431A78-PR	(E)	Tailgate Release Rods	F100/350	73-79	15.00 pr.
C4TZ-99431B54-A	(F)	Tailgate Body Latch - (2) per truck	F100-350	64-79	15.00 ea.
D3TZ-99431D76-A	(G)	Tailgate Latch - RH	F-100-350	73-79	40.00 ea.
D3TZ-99431D77-A		Tailgate Latch - LH	F100-350	73-79	40.00 ea.



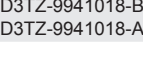


**TAILGATE
73-79**

TAILGATE - STYLE SIDE 73-79

1967-79 Truck
Quality Ford Restoration Parts


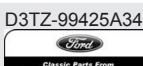
TAILGATE MOULDING - STYLE SIDE

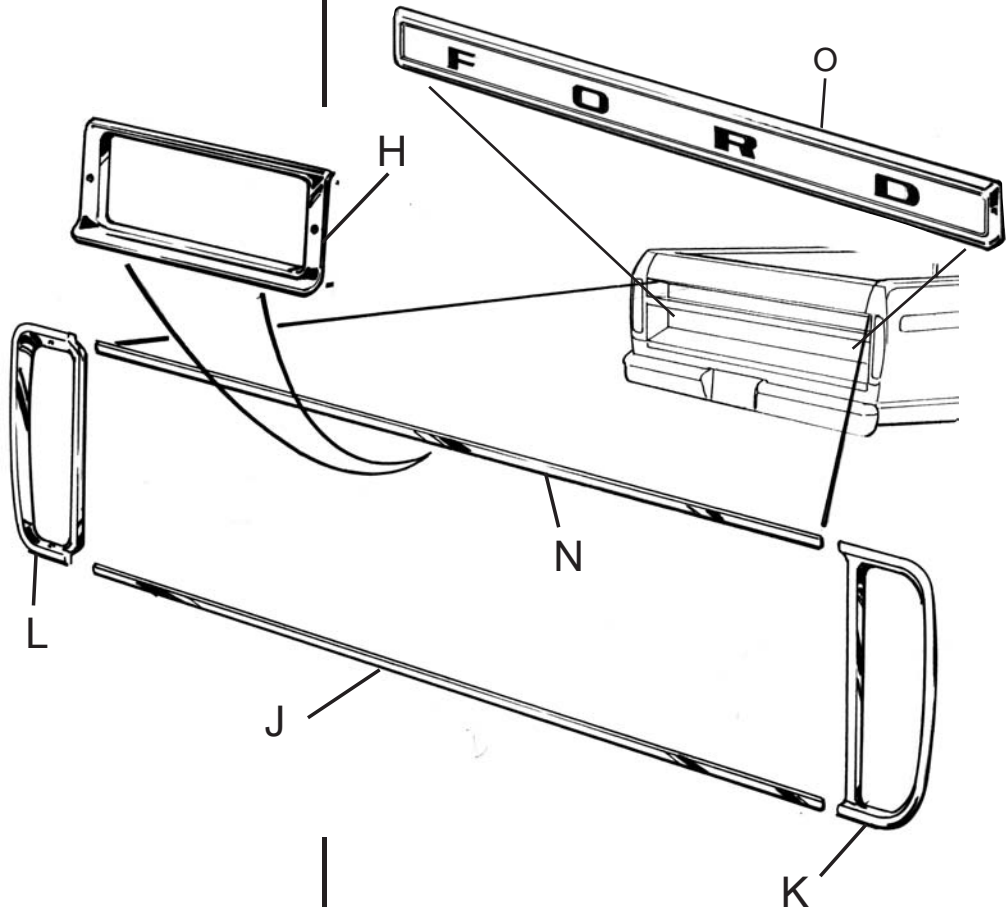
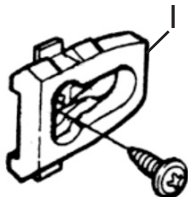
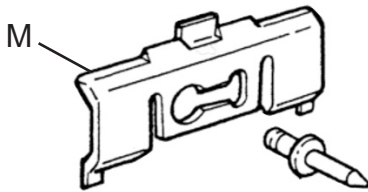
PART #	PIC	DESCRIPTION	MODEL	YEAR	PRICE
D3TZ-99404B50-A	(H)	Tailgate Handle Opening Moulding	F100-350	73-79	25.00 ea.
					
					
D3TZ-9941018-B	(I)	- Upper	F100-350	73-79	60.00 ea.
D3TZ-9941018-A	(J)	- Lower	F100-350	73-79	60.00 ea.
					
Quarter Panel Taillamp Rim Moulding					
D3TZ-99279A66-A	(K)	- RH	F100-350	73-79	75.00 ea.
D3TZ-99279A67-A	(L)	- LH	F100-350	73-79	75.00 ea.

TAILGATE MOULDING CLIPS

PART #	PIC	DESCRIPTION	MODEL	YEAR	PRICE
					
Tailgate Moulding Clip					
D3TZ-99407A12-B	(M)	- Lower - plastic - Take (7)	F100-350	73-79	2.00 ea.
D0VY-6520818-A	(N)	- Upper - plastic - Take (6)	F100-350	73-79	2.00 ea.
					
D3TZ-99407A12-A		Clip - Metal - For D3TZ-9941018-B - Takes (2)	F100-350	73-79	2.00 ea.

TAILGATE FINISH PANEL - STYLE SIDE

PART #	PIC	DESCRIPTION	MODEL	YEAR	PRICE
D3TZ-99425A34-A	(O)	Tailgate Outside Finish Panel - (Center includes Ford Letters)	F100-350	73-79	200.00 ea.
					
					
D3TZ-99425A34-B	(P)	Upper Tailgate Outside Finish Panel - in black	F100-350	73-79	250.00 ea.

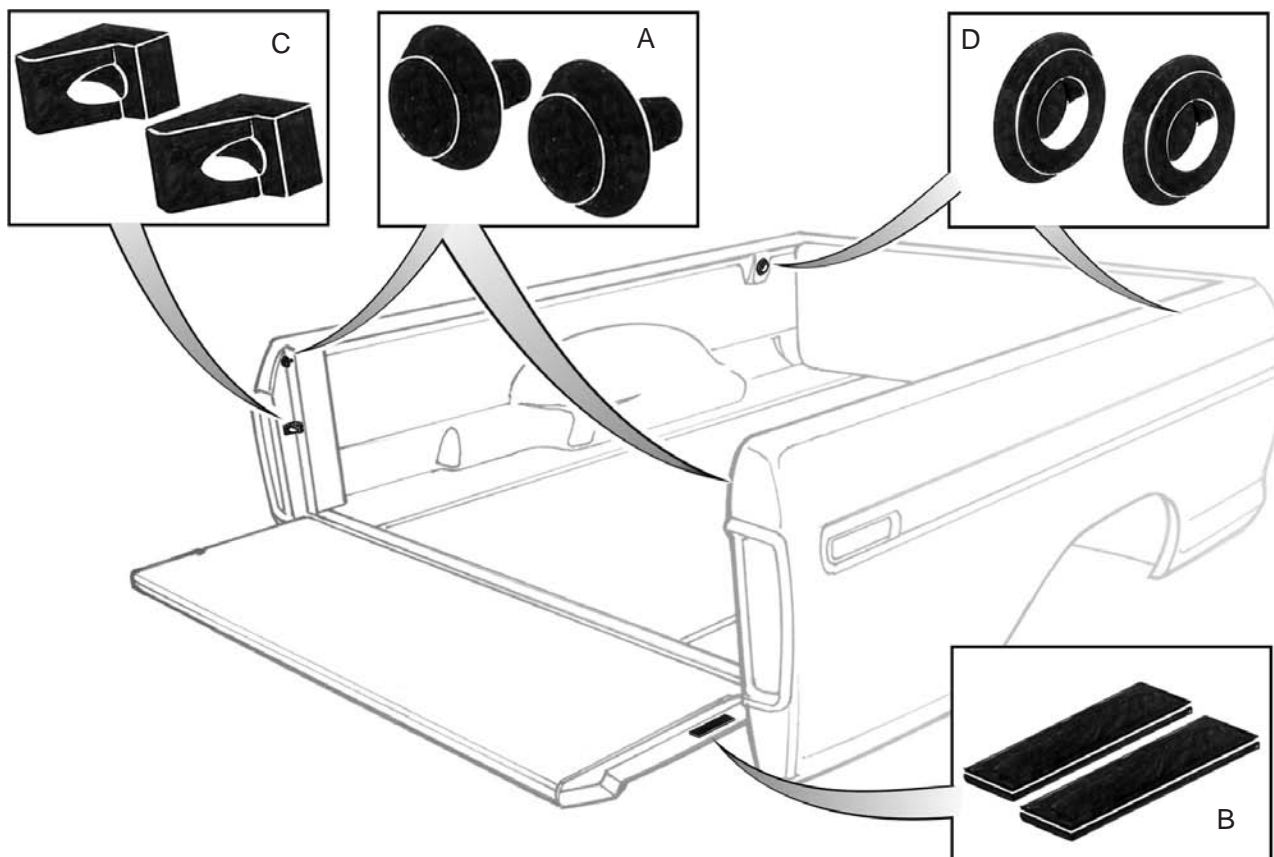


TAILGATE BUMPERS - STYLESIDE

PART #	PIC	DESCRIPTION	MODEL	YEAR	PRICE
C4TZ-9940224	(A)	Tailgate Bumpers on Pillar	F100-350	64-79	4.00 pr.
D3TZ-99439A01-A	(B)	Tailgate Lower Side Bumpers	F100-350	73-79	4.00 pr.
C4TZ-9944482-A	(C)	Tailgate Support Retaining Bumper - (2) per truck	F100-350	67-79	4.50 ea.

PICKUP BED ACCESS HOLE PLUG

PART #	PIC	DESCRIPTION	MODEL	YEAR	PRICE
377949-S	(D)	Rubber Plug for Access hole at Front of Bed to access molding Fastner - Takes 2	F100-350	73-79	1.00 ea.



TOOLBOX SEAL

PART #	DESCRIPTION	MODEL	YEAR	PRICE
D3TZ-99461A00-A	Bed Tool Box Door Seal	F100/350	73-79	25.00 ea.

BED TO FRAME BOLT KIT

PART #	DESCRIPTION	MODEL	YEAR	PRICE
384865-KIT	Bed to Frame Bolt Kit - Exc. w/ Toolbox & Aux Gas Tank - Styleside Bed - Set of (8)	F100/350	64-79	25.00 ea.



PICKUP BED PARTS

1967-79 Truck
Quality Ford Restoration Parts

TAILGATE NAME PLATE

PART #	PIC	DESCRIPTION	MODEL	YEAR	PRICE
D6UZ-1142528-A		Tailgate Nameplate - "Trailer Special"	F100-350	77-79	30.00 ea.



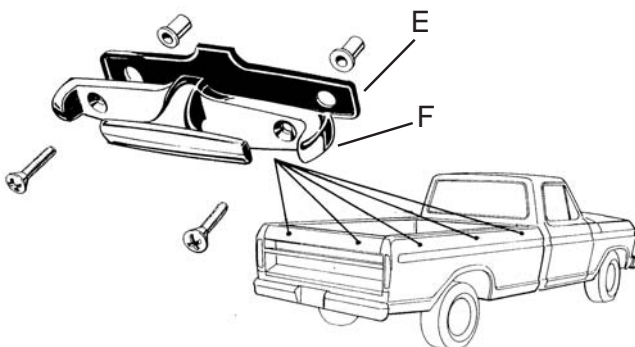
CAMPER SHELL LIFTGATE

PART #	DESCRIPTION	MODEL	YEAR	PRICE
C5AZ-6221954-B	Latch Rod Retainer Clip - for original Ford camper shells	F100-350	73-79	10.00 ea.



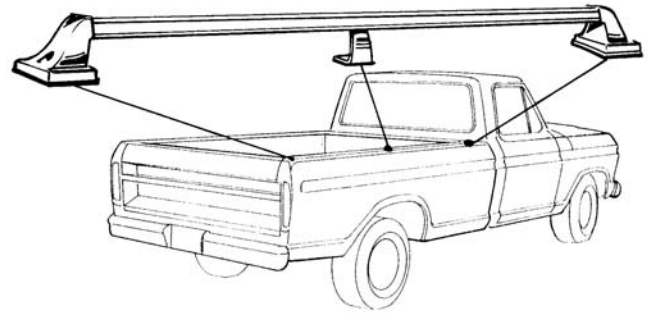
PICKUP BED TIE DOWN HOOKS

PART #	PIC	DESCRIPTION	MODEL	YEAR	PRICE
D3TZ-9900064-A	(E)	Pickup Box Tie Down Hook - for Style Side -8 per truck - w/ screws & retainers - w/ installation instructions	F100-350	67-79	20.00 ea.
D3TZ-9900078-A	(F)	Tie Down Hook Pad - (8) per truck	F100-350	67-79	3.00 ea.



PICKUP BED TOP SIDE RAIL KIT - STYLE SIDE

PART #	DESCRIPTION	MODEL	YEAR	PRICE
	<u>Pickup Bed Top Side Rail Kit</u>			
D3TZ-9932230-C	- 6 3/4 ft. bed	F100-350	73-89	280.00 kit
D3TZ-9932230-B	- 8 ft. bed	F100-350	73-89	Coming



TAILGATE - STEPSIDE

PART #	PIC	DESCRIPTION	MODEL	YEAR	PRICE
B7C-8340700-A	(A)	Tailgate - Step Side Only - Original Tooling! - No Hardware	F100	67-72	375.00 ea.
B7C-8340700-NH		Tailgate - for Step Side w/ no hooks or chains	F100	53-72	400.00 ea.
B7D-8340700-A	(B)	Tailgate - Step Side Bed - No Hardware	F250-350 F100-350	67-79 73-79	400.00 ea.



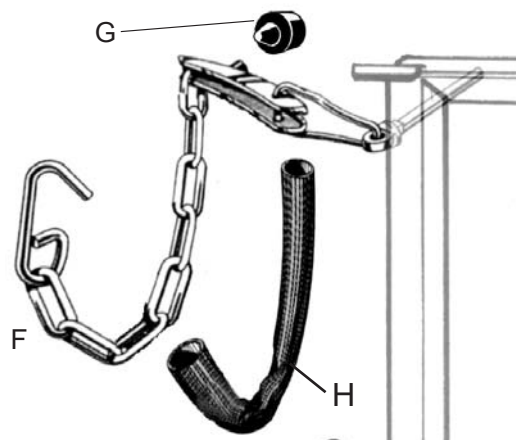
STEPSIDE TAILGATE HINGE

PART #	PIC	DESCRIPTION	MODEL	YEAR	PRICE
8C-8343018	(C)	Tailgate Hinge - Stepside - Zinc Plated Steel	F100-250	67-79	6.00 ea.
8C-8343018-SS	(D)	- Polished Stainless Steel		67-79	15.00 ea.
BAAA-8340725-A	(E)	Side of Tailgate to Bed Bumpers - Fits in tailgate side	F100-250	67-72	4.00 pr.



STEPSIDE TAILGATE CHAIN RELATED

PART #	PIC	DESCRIPTION	MODEL	YEAR	PRICE
<u>Tailgate Chains & Brackets - w/ Rubber Cover & Bumpers</u>					
BAAA-8344456-A		- Steel Zinc Plated		67-72	80.00 pr.
BAAA-8344456-SS		- Stainless Steel		67-72	120.00 pr.
7C-8144450-S	(H)	<u>Tailgate Chain Rubber Coverings</u>	F100-250	48-79	10.00 pr.
<u>(F) Tailgate Chains & Brackets w/ Rubber cover</u>					
B3TZ-8344456-D		- Zinc Plated Steel	F100-250	73-79	80.00 pr.
B3TZ-8344456-SS		- Polished Stainless Steel	F100-250	73-79	120.00 pr.
BAAA-8344458-S	(G)	<u>Tailgate Chain Special Rubber Bumper</u> - Fits in bracket	F100-250	67-79	5.00 pr.



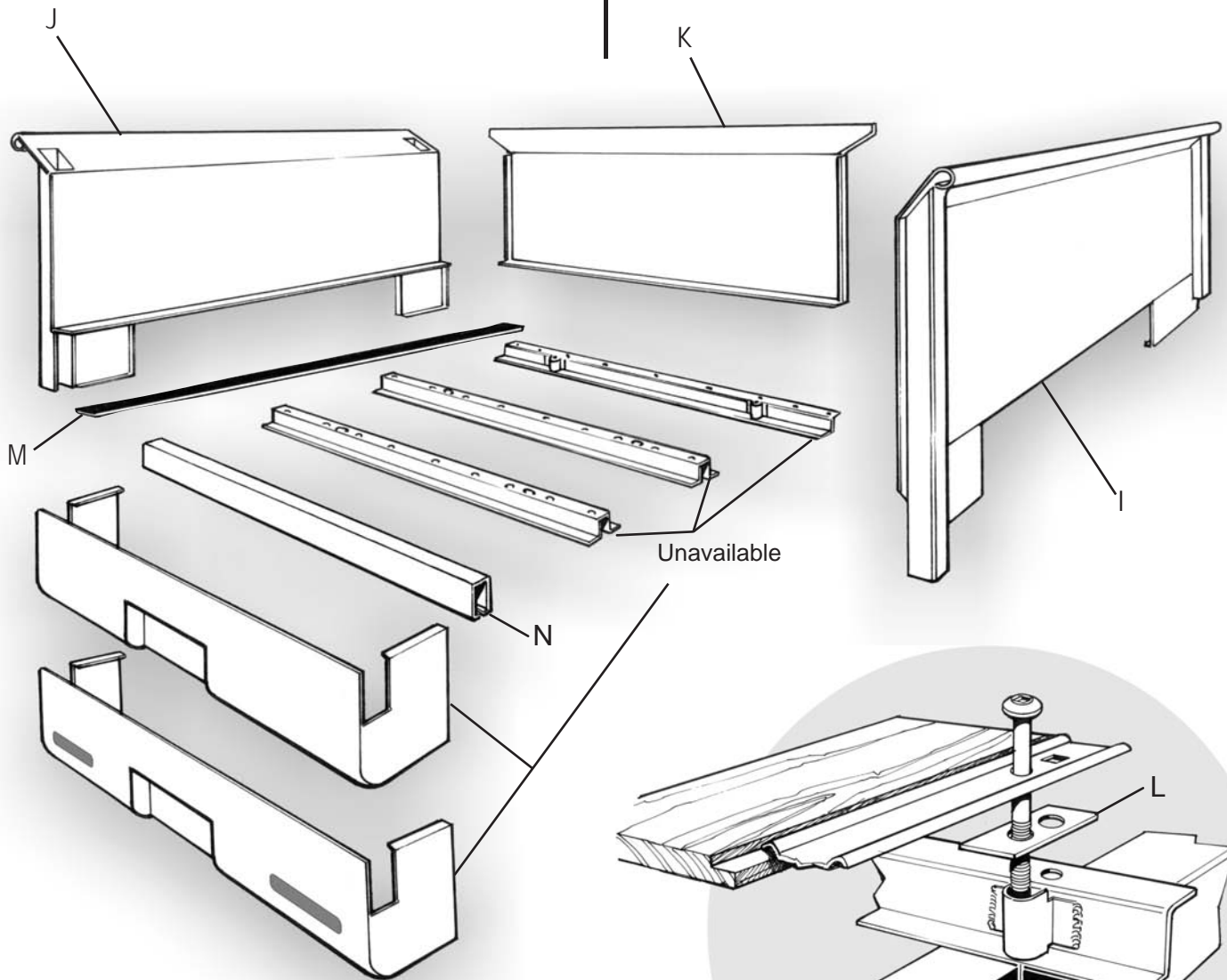
STEPSIDE TAILGATE LATCH

PART #	DESCRIPTION	MODEL	YEAR	PRICE
TG-8344456-PR	Tailgate Latch in top of Tailgate Roll - Does away with the Chains	F100-250	53-79	120.00 pr.



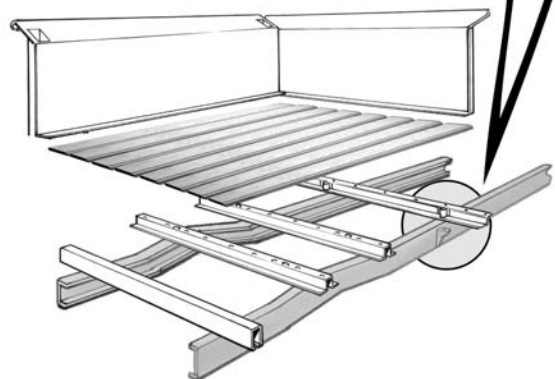
STEP SIDE BED PARTS

1967-79 Truck
Quality Ford Restoration Parts



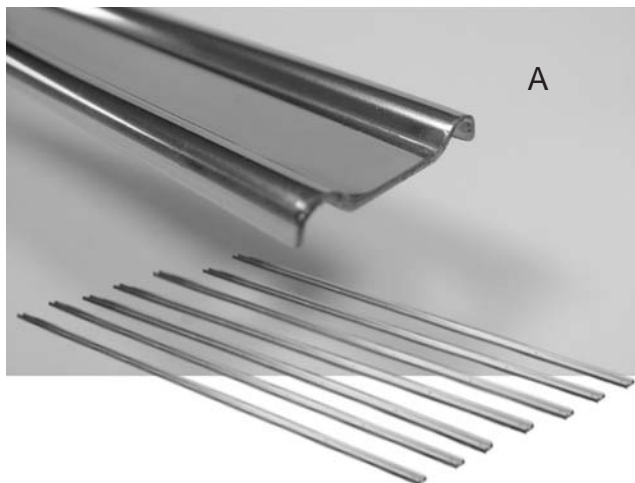
BED SIDE & RELATED - STEP SIDE

PART #	PIC	DESCRIPTION	YEAR	PRICE
<u>Bed Side</u>				
*BAAA-8327840-A	(I)	- RH Side for 6' Bed	67-72	325.00 ea.
*BAAA-8327841-A	(J)	- LH Side for 6' Bed	67-72	325.00 ea.
*NOTE: For each order of Bed Sides, please add \$75.00 for special crating & handling. The Bed Sides must be shipped via commercial truck line with the shipping charges collect to the customer.				
BAAA-8300124-A	(K)	<u>Front of Box Panel for Pick-Up</u> - With 110", 114", & 115" wheel base	67-72	150.00 ea.
8C-8110611-PR	(L)	<u>Front Bed Cross Member to Bed</u> <u>Wood Spacers - Metal</u>	48-72	4.00 pr.
7C-8144150-S	(M)	<u>Box Side to Wood Floor Seal - Rubber</u>	48-72	15.00 pr.
BAAA-8310608-A	(N)	<u>Rear Bed Runner</u>	51-72	70.00 ea.



BED STRIPS - NO HOLES

PART #	PIC	DESCRIPTION	PRICE
*NOTE: Bed Strips 144" long must be shipped by commercial truck lines freight collect. - NO holes			
BAAA-8112605-CRU		<u>Bed Strips Sets</u> - Cold Rolled Steel - 95" - set of 7	50.00 set
BAAA-8112605-SSU		- Bright Stainless Steel - 95"-set of 7	150.00 set
7C-8112605-ECR	(A)	<u>Bed Strip - 76 3/4"</u> - Cold Rolled Steel	6.00 ea.
7C-8112605-ESS		- Bright Stainless Steel	20.00 ea.
BAAA-8112605-ECR	(A)	<u>Bed Strip - 95"</u> - Cold Rolled Steel	8.00 ea.
BAAA-8112605-ESS		- Bright Stainless Steel	25.00 ea.
*B6C-8112605-CR		<u>Bed Strip</u> - Cold Rolled Steel - 12' (144")	20.00 ea.
*B6C-8112605-SS		- Stainless Steel - 12' (144")	30.00 ea.



BED STRIP BOLTS

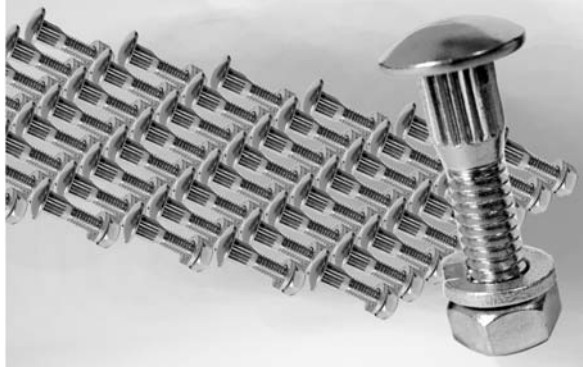
PART #	PIC	DESCRIPTION	PRICE
*NOTE: Bolts for above strips (No Holes) These bolts have knurled underheads. To install them you must first drill a 9/32" hole in the strip for a press fit.			
23503-P	(B)	<u>Bolt - Knurled</u> - Plain Finish	1.00 ea.
23503-CC	(C)	- Chrome Finish	2.00 ea.



BED STRIP BOLT KITS

PART #	PIC	DESCRIPTION	PRICE
*NOTE: For when replacing only Bed Strips for 8' bed. Kit Includes" 63 press-in bolts for bed strips and 21 flat washers. Complete placement instructions are included in kit. These bolts have knurled underheads. To install them you must first drill a 9/32" hole in the strip for a press fit.			
BAAA-8112612-PF		- Plain Finish	35.00 kit
BAAA-8112612-CC		- Chrome Finish	65.00 kit

Bottom of Bed Knurled Bolt, Nut & Washer Set



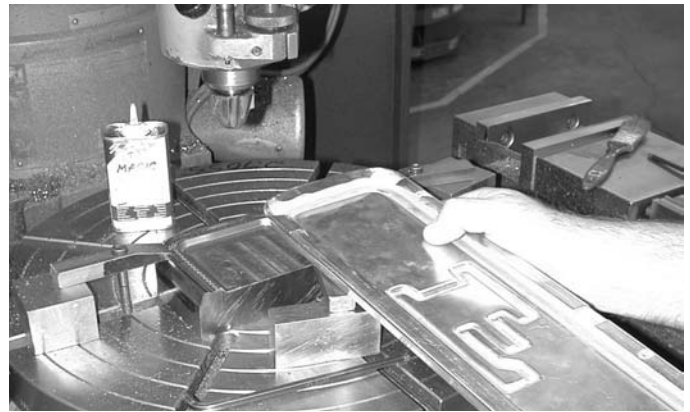
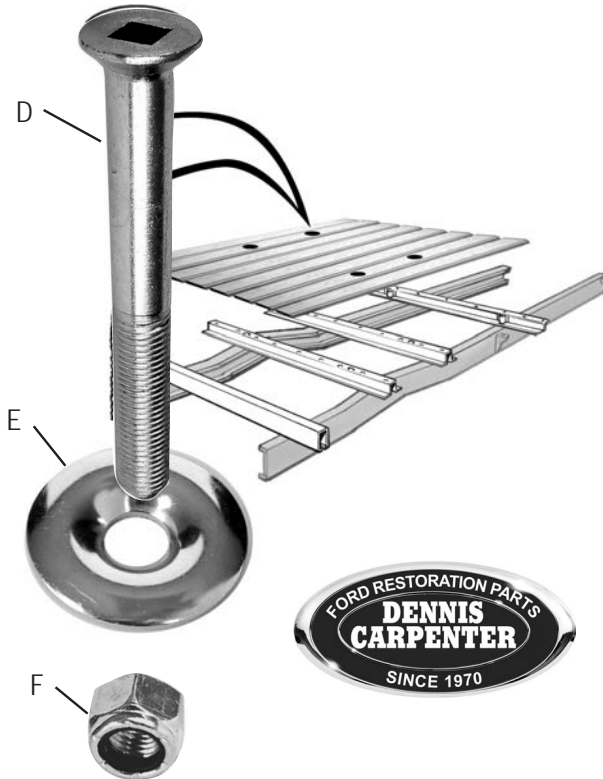
BOTTOM OF BED BOLT, NUT, & WASHER KIT

PART #	PIC	DESCRIPTION	YEAR	PRICE
NOTE: For when replacing Bed Strips AND Wood for 8' bed. Kit Includes: 63 press-in bolts for bed strips, 10 bolts for side of bed, 21 large & 8 small flat washers, 65 lock washers, and 73 nuts. Complete placement instructions are included in kit. These bolts have knurled underheads. To install them you must first drill a 9/32" hole in the strip for a press fit.				
BAAA-8112615-PF		- Plain Finish		42.50 kit
BAAA-8112615-CC		- Chrome Finish		72.50 kit



BED TO FRAME PARTS

PART #	PIC	DESCRIPTION	YEAR	PRICE
350623-S	(D)	Bed to Frame Bolt - No nuts - need (4) per bed - Bolts are 7/16"x20 thread - Cadmium Plated	48-79	3.50 ea.
7C-8144440		<u>Counter Sunk Washer</u>		
7C-8144440-SS	(E)	- Cold rolled steel - Cadium plated - Stainless Steel	67-79 67-79	1.50 ea. 2.50 ea.
34447-S2	(F)	Self Locking Nut for Bed to Frame Bolt (350620-S8 & 350623-S)	67-79	1.00 ea.



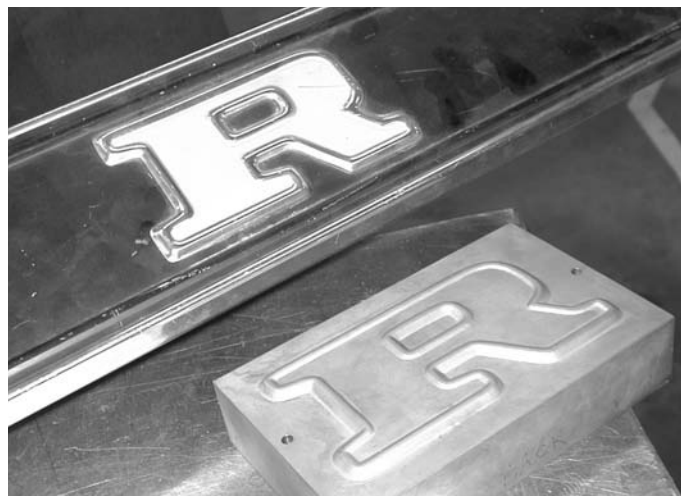
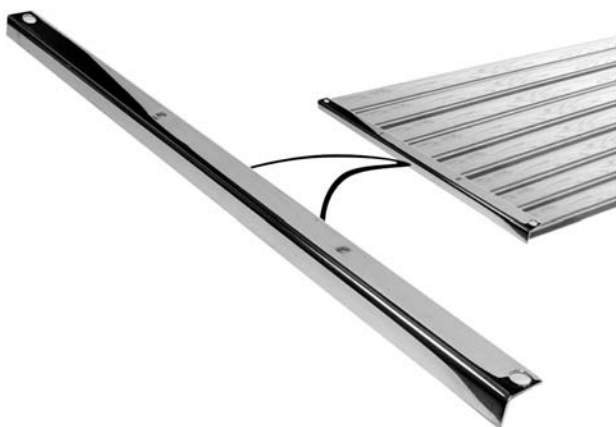
Our tool and die makers are responsible for making the tooling which is used to produce our 1968-72 pickup aluminum tailgate finish panels. The tooling on the rotary table forms the end of the tailgate panel.



Reid Coggins shows a finished tailgate finish panel. In the foreground are the A-2 tool steel male form blocks which are used to stamp the Ford letters into the aluminum panel.

BED BOARD END CAP STRIP

PART #	PIC	DESCRIPTION	YEAR	PRICE
8C-8110609-CR		<u>Bed Boards End Cap Strip at Rear</u>		
8C-8110609-SS		- Cold Rolled Steel - Step Side Only - Stainless Steel - Step Side Only	48-72 48-72	15.00 ea. 30.00 ea.



This close up shows the male forming block which is used to create the "R" in our 1967-1972 aluminum tailgate finish panels.



**1967
MOULDINGS & CLIPS**



BODY SIDE MOULDING SET - 1967

PART #	DESCRIPTION	PRICE
	<u>Complete Body Side Moulding Set</u>	
C7TZ-8121048-A	- 1 1/4" Moulding - Short bed w/Clips	500.00 set
C7TZ-8121048-B	- Long bed w/Clips	500.00 set
C7TZ-8121048-CLIP	<u>Upper Body Side Moulding Clip Kit</u> - 1 1/4" Moulding - included with Complete Moulding Set and each individual moulding.	70.00 kit

**UPPER BEDSIDE
MOULDING - F100/350**

1967

PART #	PIC	DESCRIPTION	PRICE
		<u>Upper Bed Side Moulding</u>	
C7TZ-9929038-A		- 1 1/4" Moulding - Short Bed - w/Clips - RH or LH	80.00 ea.
C7TZ-9929038-B		- Long Bed - w/Clips - RH or LH	85.00 ea.
C7TZ-8129318-A	(B)	<u>Moulding Clip</u>	1.50 ea.
C8TZ-8129316-A	(C)	<u>Moulding Clip</u>	2.00 ea.



**Wrap your F100 with
brand new side moldings**



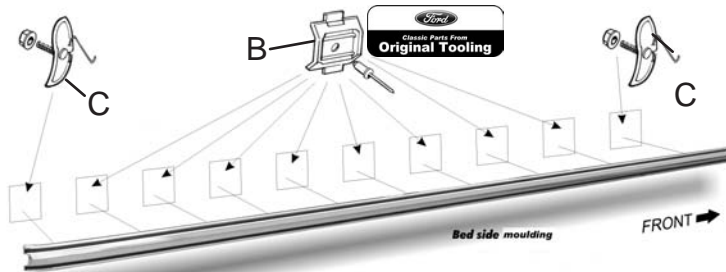
Left and right bed side moldings with retainers



Left and right door and rear cab corner moldings with retainers



Left and right front fender moldings with retainers



**Moulding Clips
INCLUDED**

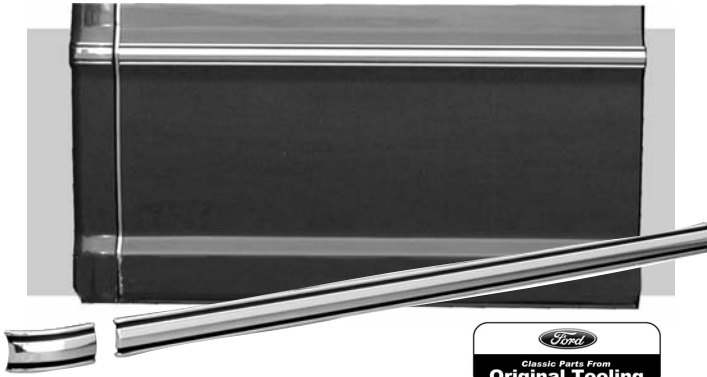


**Quality
Assured
Parts**

Made in USA

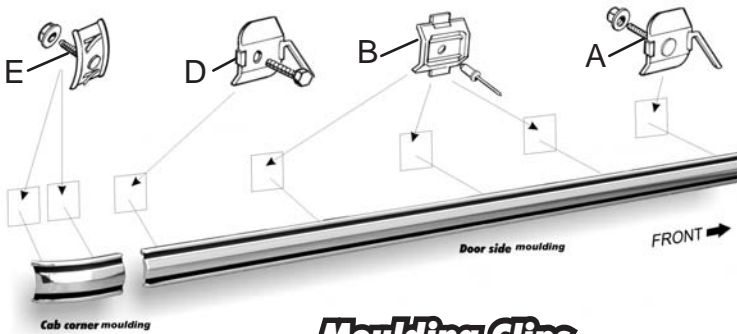
1967 TRUCK MOULDINGS

1967-79 Truck
Quality Ford Restoration Parts



UPPER DOOR & CAB CORNER MOULDING - F100/350 **1967**

PART #	PIC	DESCRIPTION	PRICE
C7TZ-8120938-A		Upper Door Moulding - 1 1/4" Moulding - w/Clips - RH or LH	55.00 ea.
C7TZ-81423A16-A		Upper Rear Cab Corner Moulding - 1 1/4" Moulding - w/Clips - RH or LH	35.00 ea.
C7TZ-81423B46-A	(E)	Moulding Clip	2.50 ea.
C7TZ-9720880-A	(D)	Moulding Clip	2.00 ea.
C7TZ-8129318-A	(B)	Moulding Clip	1.50 ea.
C7TZ-8120876-A	(A)	Moulding Clip	2.00 ea.



**Moulding Clips
INCLUDED**



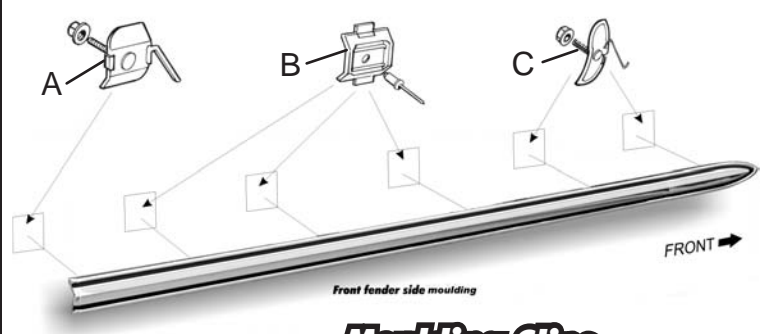
Quality
Assured
Parts

Made in USA



UPPER FRONT FENDER MOULDING - F100/350 **1967**

PART #	PIC	DESCRIPTION	PRICE
C7TZ-16003-C		Upper Front Fender Moulding - 1 1/4" Moulding - w/Clips - RH or LH	80.00 ea.
C7TZ-8120876-A	(A)	Moulding Clip	2.00 ea.
C7TZ-8129318-A	(B)	Moulding Clip	1.50 ea.
C8TZ-8129316-A	(C)	Moulding Clip	2.00 ea.



**Moulding Clips
INCLUDED**



Quality
Assured
Parts

Made in USA



1968-72
MOULDINGS & CLIPS



BODY SIDE MOULDING SET - 1968-72

PART #	DESCRIPTION	YEAR	PRICE
	Complete Upper Body Side Moulding Set - 1 1/2" Moulding		
C8TZ-8121048-A	- Short Bed - w/Clips	68-69	450.00 set
C8TZ-8121048-B	- Long Bed - w/Clips	68-69	450.00 set
C8TZ-8121048-C	- Short Bed - w/Clips	70-72	450.00 set
C8TZ-8121048-D	- Long Bed - w/Clips	70-72	450.00 set
C8TZ-8121048-CLIP	Upper Body Side Moulding Clip Kit - 1 1/2" Moulding - included with Complete Moulding Set and each individual moulding.	68-72	70.00 set

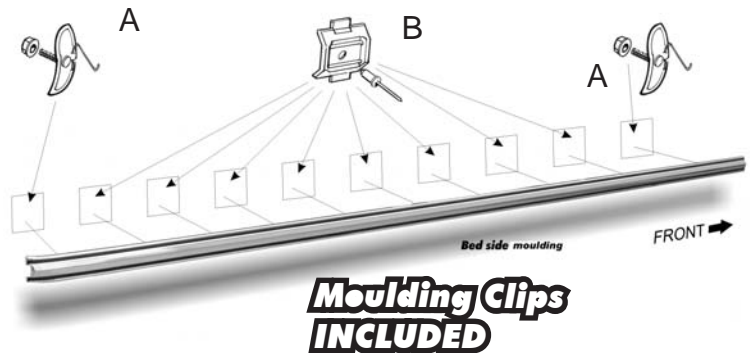


**Quality
Assured
Parts**

Made in USA

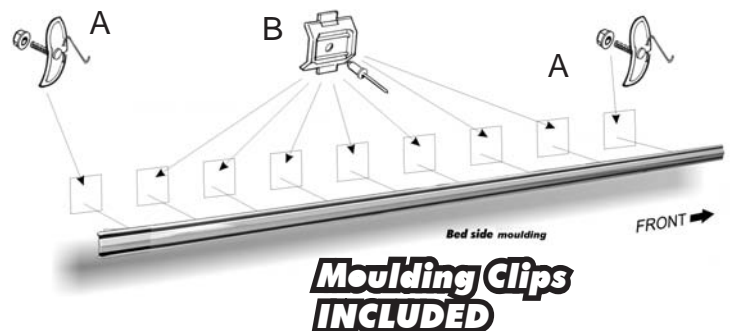
UPPER BED SIDE MOULDING 68-69
F100/250

PART #	PIC	DESCRIPTION	PRICE
		Upper Bed Side Moulding - 1 1/2" Moulding	
C8TZ-9929140-A		- Short Bed - w/Clips - RH or LH	70.00 ea.
C8TZ-9929140-B		- Long Bed - w/Clips - RH or LH	73.00 ea.
C8TZ-8129316-A	(A)	<u>Moulding Clip</u>	2.00 ea.
C8TZ-8129318-A	(B)	<u>Moulding Clip</u>	1.50 ea.



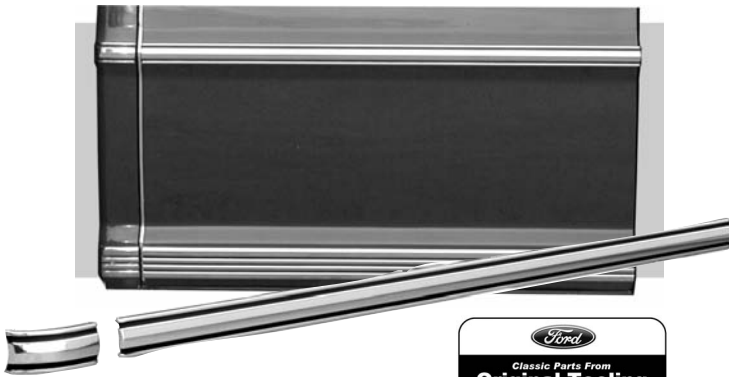
UPPER BEDSIDE MOULDING 70-72
F100/250

PART #	PIC	DESCRIPTION	PRICE
		Upper Bed Side Moulding - 1 1/2" Moulding	
D0TZ-9929038-C		- Short Bed - w/Clips - RH or LH	70.00 ea.
D0TZ-9929038-D		- Long Bed - w/Clips - RH or LH	73.00 ea.
C8TZ-8129316-A	(A)	<u>Moulding Clip</u>	2.00 ea.
C8TZ-8129318-A	(B)	<u>Moulding Clip</u>	1.50 ea.



68-72 TRUCK MOULDINGS

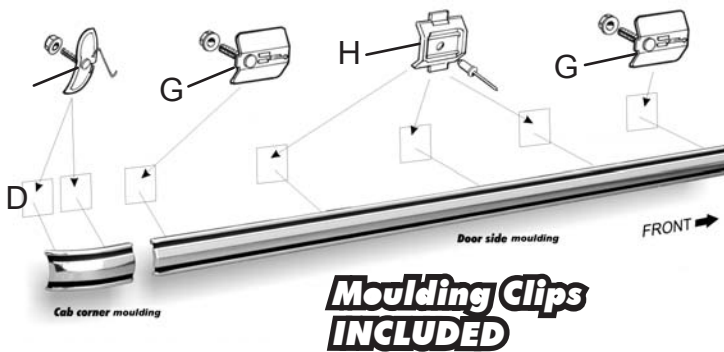
1967-79 Truck
Quality Ford Restoration Parts



Original Tooling
Classic Parts From
Perfect Fit and Finish

UPPER DOOR & CAB CORNER MOULDING - F100/250 **68-72**

PART #	PIC	DESCRIPTION	PRICE
C8TZ-8120938-A		Upper Door Moulding - 1 1/2" Moulding - w/Clips - RH or LH	55.00 ea.
C8TZ-81423A16-A		Upper Rear Cab Corner Moulding - 1 1/2" Moulding - w/Clips - RH or LH	35.00 ea.
C8TZ-8129316-A	(D)	Moulding Clip	2.00 ea.
D2TZ-1020880-A	(G)	Moulding Clip	2.00 ea.
C8TZ-8129318-A	(H)	Moulding Clip	1.50 ea.



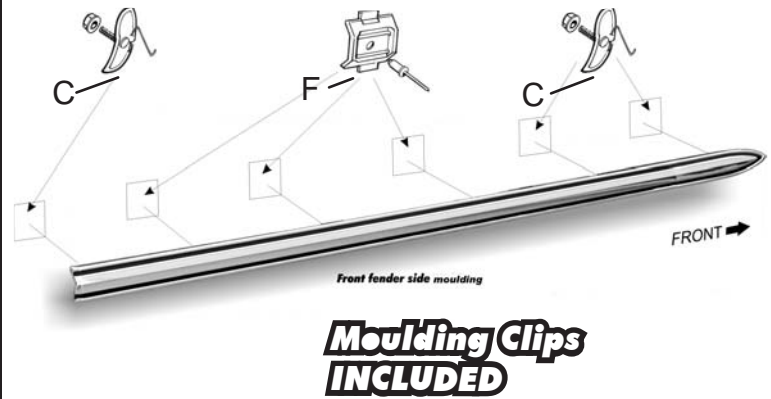
 **Quality Assured Parts**
Made in USA



Original Tooling
Classic Parts From
Perfect Fit and Finish

UPPER FRONT FENDER MOULDING - F100/250 **68-72**

PART #	PIC	DESCRIPTION	PRICE
C8TZ-16003-A		Upper Front Fender Moulding - 1 1/2" Moulding - with Clips - RH or LH	80.00 ea.
C8TZ-8129318-A	(F)	Moulding Clip	1.50 ea.
C8TZ-8129316-A	(C)	Moulding Clip	2.00 ea.

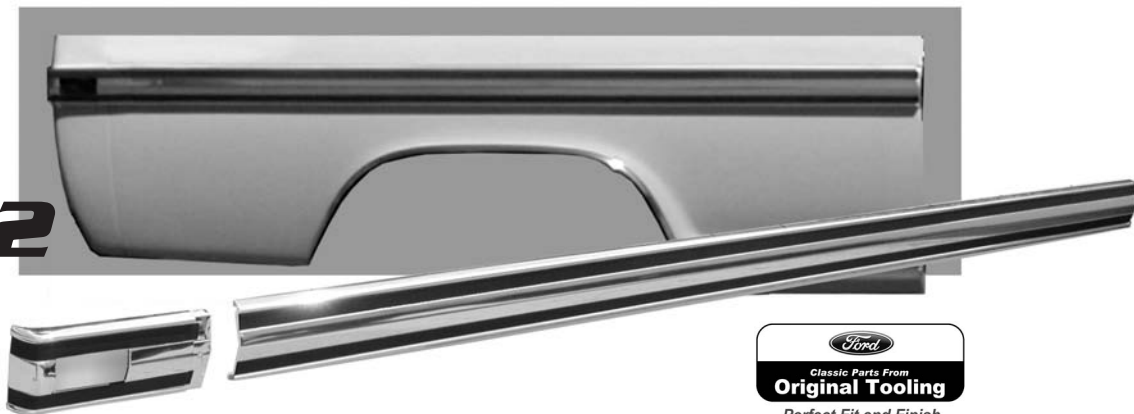


 **Quality Assured Parts**
Made in USA



1970-72

**RANGER &
RANGER XLT
MOULDINGS & CLIPS**



**BODY SIDE MOULDING SET - 1970-72
RANGER & RANGER XLT**

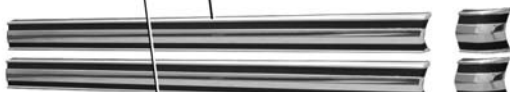
PART #	DESCRIPTION	PRICE
Ranger takes Black Vinyl Insert & Ranger XLT takes Woodgrain Insert		
D0TZ-8121048-A	Complete Upper Body Side Moulding Set - 3 5/8" Moulding w/Black Vinyl Insert	600.00 set
D0TZ-8121048-B	- Short Bed - w/ Clips	600.00 set
	- Long Bed - w/ Clips	
D0TZ-8121048-C	Complete Upper Body Side Moulding Set - 3 5/8" Moulding w/Woodgrain Insert	600.00 set
D0TZ-8121048-D	- Short Bed - w/ Clips	600.00 set
	- Long Bed - w/ Clips	

**Wrap your Ranger with
brand new side moldings**

Made from the ORIGINAL FORD roller dies



Left and right bed side moldings with retainers



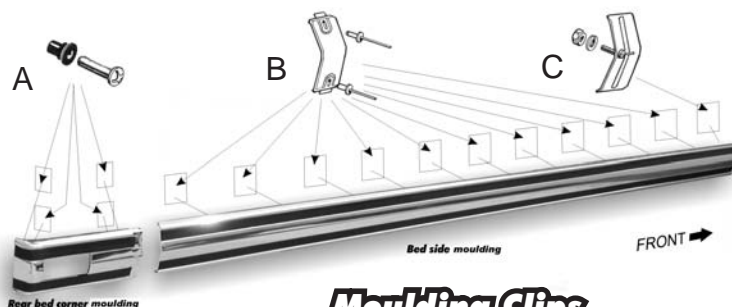
Left and right door and rear cab corner moldings with retainers



Left and right front fender moldings with retainers

**UPPER BED SIDE MOULDING 70-72
F100/250 Ranger - BLACK VINYL**

PART #	PIC	DESCRIPTION	PRICE
Ranger takes Black Vinyl Insert			
D2TZ-9929038-C		Upper Bed Side Moulding - 3 5/8" Moulding w/Black Vinyl Insert	100.00 ea.
D2TZ-9929038-D		- Short Bed - RH or LH	100.00 ea.
		- Long Bed - RH or LH	
Upper Bed Side Rear Corner Moulding - 3 5/8" Moulding w/Black Vinyl Insert			
D0TZ-9929028-B		- w/Clips - RH	40.00 ea.
D0TZ-9929029-B		- w/Clips - LH	40.00 ea.
D0TZ-1020880-B	(B)	Moulding Clip	2.00 ea.
D0TZ-16A076-B	(C)	Moulding Clip	3.50 ea.
D0TZ-99291B80-A	(A)	Moulding Clip	2.00 ea.



**Moulding Clips
INCLUDED**

**UPPER BEDSIDE MOULDINGS 70-72
F100/250 Ranger XLT - WOOD GRAIN**

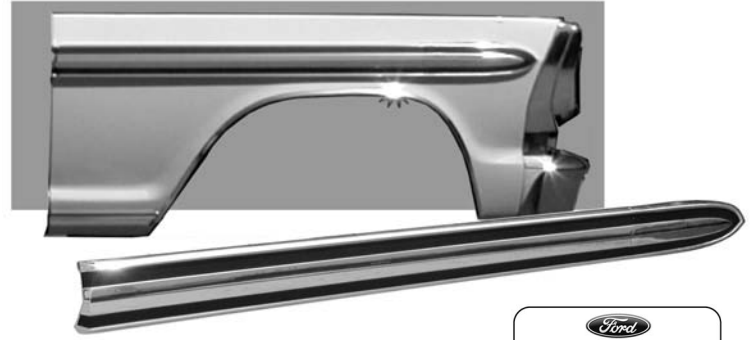
PART #	PIC	DESCRIPTION	PRICE
Ranger XLT takes Woodgrain Insert			
D2TZ-9929038-A		Upper Bed Side Moulding - 3 5/8" Moulding w/Woodgrain Insert	100.00 ea.
D2TZ-9929038-B		- Short Bed - w/Clips - RH or LH	100.00 ea.
		- Long Bed - w/Clips - RH or LH	
Bed Side Rear Corner Moulding - 3 5/8" Moulding w/Woodgrain Insert			
D0TZ-9929028-A		- Upper - w/Clips - RH	40.00 ea.
D0TZ-9929029-A		- Upper - w/Clips - LH	40.00 ea.

70-72 RANGER RANGER XLT MOULDINGS 1967-79 Truck

Quality Ford Restoration Parts



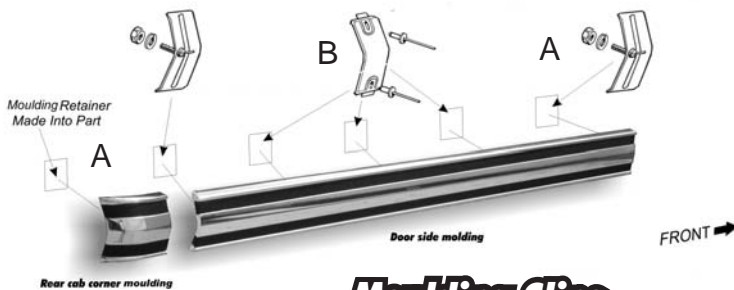

Classic Parts From
Original Tooling
Perfect Fit and Finish




Classic Parts From
Original Tooling
Perfect Fit and Finish

UPPER DOOR & CAB CORNER MOULDING F100/250 Ranger & Ranger XLT 70-72

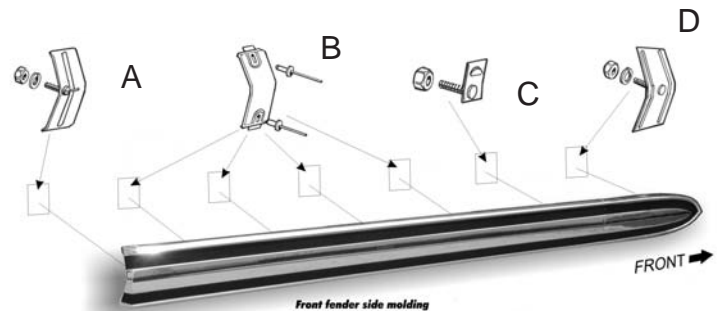
PART #	PIC	DESCRIPTION	PRICE
Ranger takes Black Vinyl Insert & Ranger XLT takes Woodgrain Insert			
D0TZ-1020932-B		Upper Door Moulding - 3 5/8" Moulding - RH or LH - w/Black Vinyl Insert - w/Clips	60.00 ea.
D0TZ-1020932-C		- RH or LH - w/Woodgrain Insert - w/Clips	60.00 ea.
Upper Rear Cab Corner Moulding			
D0TZ-10423B56-A		- 3 5/8" Moulding - RH or LH - w/Black Vinyl Insert - w/Clips	40.00 ea.
D0TZ-10423B56-B		- RH or LH - w/Woodgrain Insert - w/Clips	40.00 ea.
D0TZ-16A076-B	(A)	Moulding Clip	3.50 ea.
D0TZ-1020880-B	(B)	Moulding Clip	2.00 ea.



**Moulding Clips
INCLUDED**

UPPER FRONT FENDER MOULDINGS F100/250 Ranger & Ranger XLT 70-72

PART #	PIC	DESCRIPTION	PRICE
Ranger takes Black Vinyl Insert & Ranger XLT takes Woodgrain Insert			
D0TZ-16003-C		Upper Front Fender Moulding - 3 5/8" Moulding - RH or LH - w/Black Vinyl Insert - w/Clips	125.00 ea.
D0TZ-16003-D		- RH or LH - w/Woodgrain Insert - w/Clips	125.00 ea.
D0TZ-16A076-B	(A)	Moulding Clip	3.50 ea.
D0TZ-1020880-B	(B)	Moulding Clip	2.00 ea.
381955-S	(C)	Moulding Clip	1.50 ea.
D0TZ-16A076-A	(D)	Moulding Clip	3.50 ea.



**Moulding Clips
INCLUDED**





1973-79

MOULDINGS & CLIPS



**BODY SIDE MOULDING SET - 1973-79
STANDARD CAB**

PART #	DESCRIPTION	PRICE
--------	-------------	-------

For Trucks *WITHOUT* Race Track Mouldngs

D3TZ-8121048-C	<u>Complete Upper Body Side Moulding Set</u> - Standard Cab - w/Black Vinyl Insert - Short Bed - w/ Clips	525.00 set
D3TZ-8121048-D	- Long Bed - w/ Clips	525.00 set



**BODY SIDE MOULDING SET - 1973-79
STANDARD CAB**

PART #	DESCRIPTION	PRICE
--------	-------------	-------

For Trucks *WITH* Race Track Mouldngs
Race Track Moulding Sold Separately

D7TZ-8121048-A	<u>Complete Upper Body Side Moulding Set</u> Standard Cab - w/Black Vinyl Insert - Short Bed - w/ Clips	550.00 set
D7TZ-8121048-B	- Long Bed - w/ Clips	550.00 set

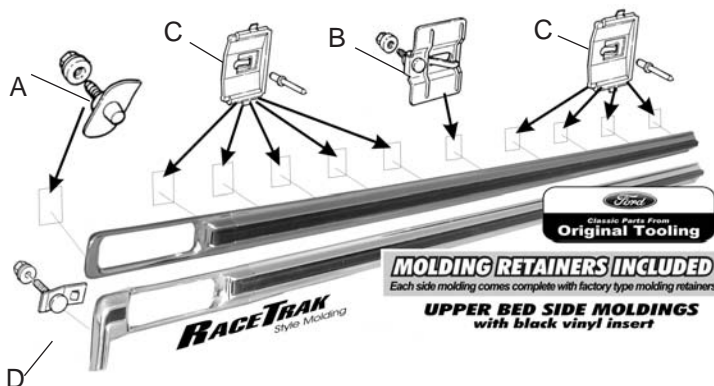


**UPPER BEDSIDE MOULDINGS
F150/350 73-79**

PART #	PIC	DESCRIPTION	PRICE
--------	-----	-------------	-------

For Trucks *WITHOUT* Racetrack Moulding

D3TZ-9929038-D		<u>Upper Body Side Moulding</u> - w/Black Vinyl Insert - Shortbed. - RH - w/Clips	125.00 ea.
D3TZ-9929039-D		- Shortbed - LH - w/Clips	125.00 ea.
D3TZ-9929038-C		- Longbed - RH - w/Clips	125.00 ea.
D3TZ-9929039-C		- Longbed - LH - w/Clips	125.00 ea.
D3TZ-9929316-A	(A)	Moulding Clip	2.00 ea.
D3TZ-16A076-A	(B)	Moulding Clip	2.00 ea.
D3TZ-1020880-C	(C)	Moulding Clip	1.50 ea.
381955-S	(D)	Moulding Clip	1.50 ea.



**UPPER BEDSIDE MOULDINGS
F150/350 73-79**

PART #	DESCRIPTION	PRICE
--------	-------------	-------

For Trucks *WITH* Race Track Mouldings

D7TZ-9929038-FA	<u>Upper Body Side Moulding</u> - w/Black Vinyl Insert - Shortbed. - RH - w/Clips	140.00 ea.
D7TZ-9929039-FA	- Shortbed - LH - w/Clips	140.00 ea.
D7TZ-9929038-EA	- Longbed - RH - w/Clips	140.00 ea.
D7TZ-9929039-EA	- Longbed - LH - w/Clips	140.00 ea.

PICKUP MOULDING

1967-79 Truck
Quality Ford Restoration Parts



DOOR MOULDINGS & CLIPS

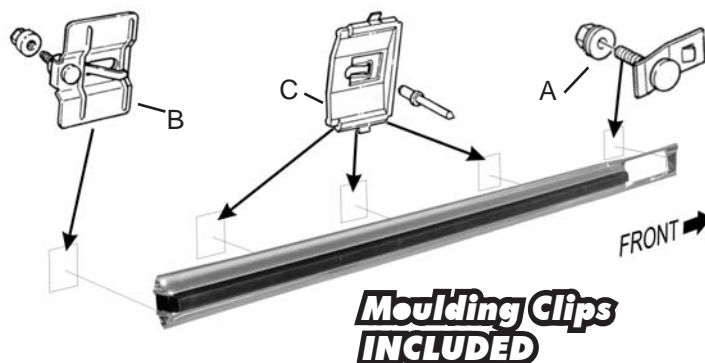
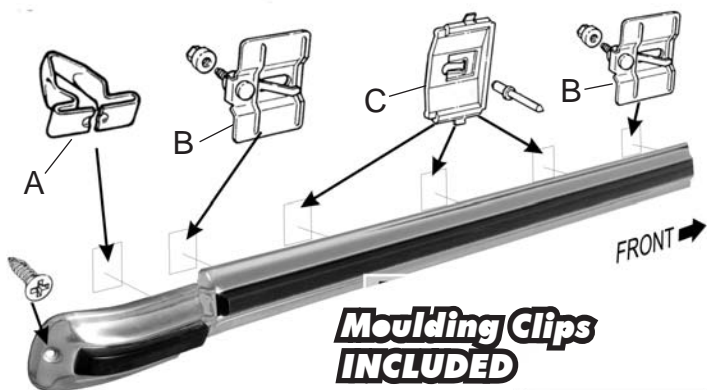
73-79

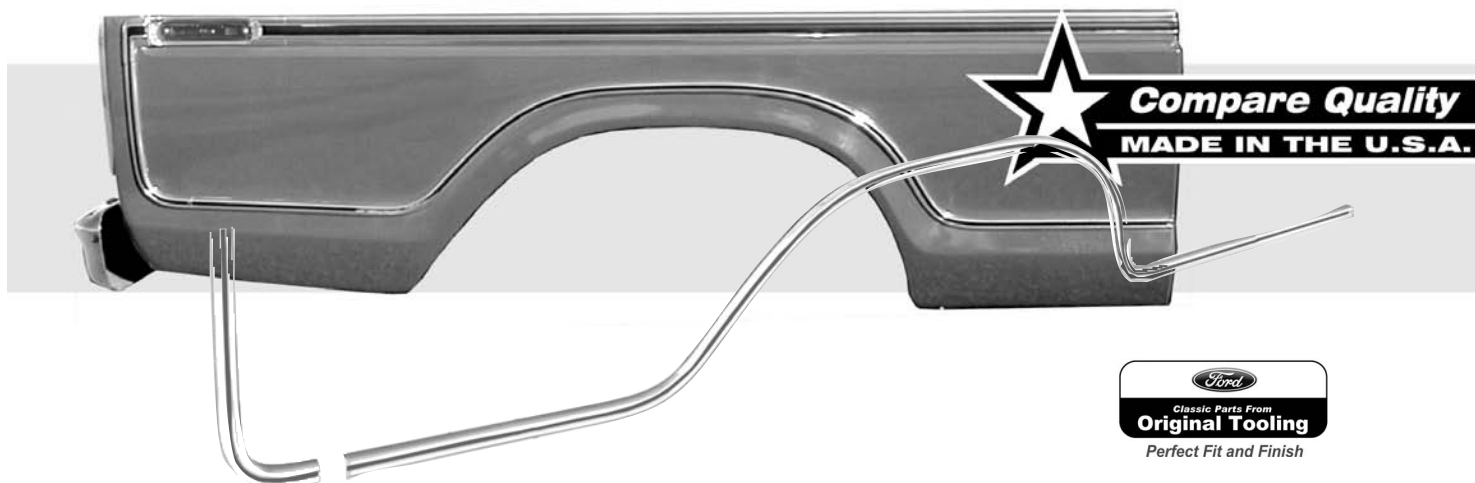
PART #	PIC	DESCRIPTION	PRICE
<u>Upper Door Moulding</u>			
- w/ Black Vinyl Insert			
D3TZ-1020938-B		- RH - w/Clips	70.00 ea.
D3TZ-1020939-B		- LH - w/Clips	70.00 ea.
<u>Upper Rear Cab Corner Moulding</u>			
- w/Black Vinyl Insert			
D3TZ-10423A16-C		- RH - w/Clips	30.00 ea.
D3TZ-10423A17-C		- LH - w/Clips	30.00 ea.
D20Z-71425A94-A	(A)	<u>Moulding Clip</u>	1.50 ea.
D3TZ-16A076-A	(B)	<u>Moulding Clip</u>	2.00 ea.
D3TZ-1020880-C	(C)	<u>Moulding Clip</u>	1.50 ea.

UPPER FRONT FENDER MOULDINGS & CLIPS

73-79

PART #	PIC	DESCRIPTION	PRICE
<u>Upper Front Fender Moulding</u>			
- w/Black Vinyl Insert			
D3TZ-16003-C		- RH - w/Clips	100.00 ea.
D3TZ-16004-C		- LH - w/Clips	100.00 ea.
381955-S	(A)	<u>Moulding Clip</u>	1.50 ea.
D3TZ-16A076-A	(B)	<u>Moulding Clip</u>	2.00 ea.
D3TZ-1020880-C	(C)	<u>Moulding Clip</u>	1.50 ea.





**LOWER RACE TRACK
MOULDING KIT W/ CLIPS** **77-79**

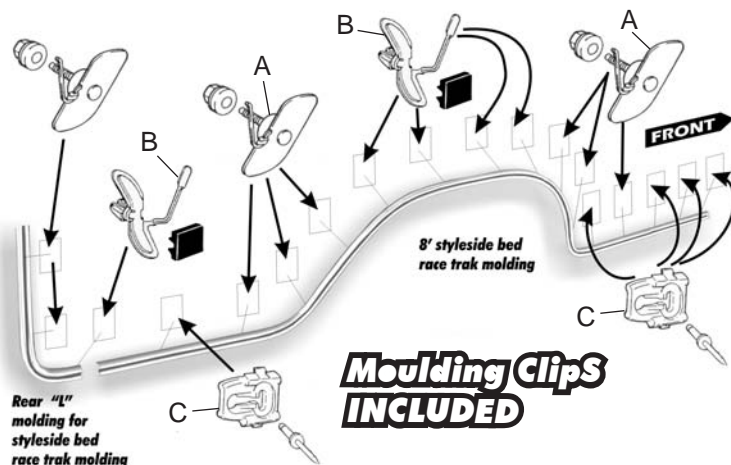
PART #	PIC	DESCRIPTION	MODEL	PRICE
D7TZ-9921048-AA		<u>Lower Race Track Molding Kit w/ Clips - 8' Bed</u> Includes: (1) D7TZ-16003-AA (1) D7TZ-16004-AA (2) D7TZ-1020878-BA (1) D7TZ-10423A16-AA (1) D7TZ-10423A17-AA (1) D7TZ-9929038-AA (1) D7TZ-9929039-AA (1) D7TZ-9929396-AA (1) D7TZ-9929397-AA	F100-350	630.00 kit
D7TZ-9921048-BA		<u>Lower Race Track Molding Kit w/ Clips - 6 ft. 3/4" Bed</u> Includes: (1) D7TZ-16003-AA (1) D7TZ-16004-AA (2) D7TZ-1020878-BA (1) D7TZ-10423A16-AA (1) D7TZ-10423A17-AA (1) D7TZ-9929038-BA (1) D7TZ-9929039-BA (1) D7TZ-9929396-AA (1) D7TZ-9929397-AA	F100-350	630.00 kit

**BEDSIDE RACETRAK STYLE
MOULDINGS & CLIPS** **77-79**

PART #	PIC	DESCRIPTION	MODEL	PRICE
		<u>Bedside Moulding RaceTrak Style - 6 3/4" Bed</u>		
D7TZ-9929038-BA		- RH		150.00 ea.
D7TZ-9929039-BA		- LH		150.00 ea.
		<u>Bedside Moulding - 8' bed RaceTrak Style</u>		
D7TZ-9929038-AA		- w/o tool storage - RH		150.00 ea.
D7TZ-9929039-AA		- w/o tool storage - LH		150.00 ea.
		<u>Rear Bedside Moulding</u>		
D7TZ-9929396-AA		- RaceTrak Style - RH		40.00 ea.
D7TZ-9929397-AA		- RaceTrak Style - LH		40.00 ea.
		<u>Bedside Moulding - 8' Bed RaceTrak Style - RH</u>		
D7TZ-9929076-AA		- w/tool storage on bed		Coming!
D7TZ-9929076-BA		- w/tool storage on door		Coming!
D7TZ-9929076-CA		- w/tool storage rear of door		Coming!

**BEDSIDE RACETRAK STYLE
MOULDING CLIPS** **77-79**

PART #	PIC	DESCRIPTION	MODEL	PRICE
C8GY-16A076-A	(A)	<u>Bedside RaceTrak Moulding Clip</u>		2.00 ea.
D3AZ-65423B06-A	(B)	<u>Bedside RaceTrak Moulding Clip</u>		2.00 ea.
D2SZ-6520818-A	(C)	<u>Bedside RaceTrak Moulding Clip</u>		2.00 ea.



PICKUP MOULDING

1967-79 Truck
Quality Ford Restoration Parts



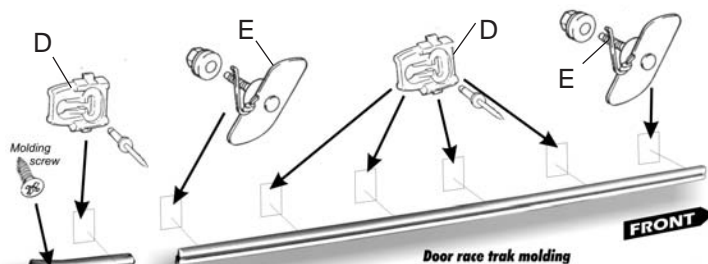

Classic Parts From
Original Tooling
Perfect Fit and Finish




Classic Parts From
Original Tooling
Perfect Fit and Finish

DOOR RACETRACK STYLE MOULDINGS & CLIPS 77-79

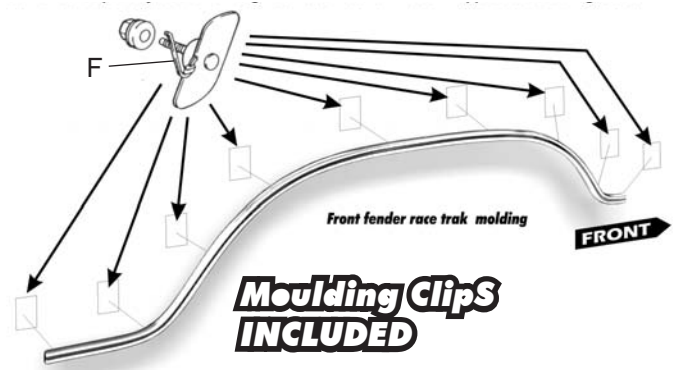
PART #	PIC	DESCRIPTION	MODEL	PRICE
D7TZ-1020878-BA		<u>Front Door Moulding</u> -Race Track Style - RH or LH		50.00 ea.
D7TZ-10423A16-AA D7TZ-10423A17-AA		<u>Back Cab Moulding</u> -Race Track Style - RH -Race Track Style - LH		30.00 ea. 30.00 ea.
*D7TZ-13423A16-AA *D7TZ-13423A17-AA		<u>Back Cab Moulding</u> -Race Track Style - RH -Race Track Style - LH	Super Cab	Coming! Coming!
D2SZ-6520818-A C8GY-16A076-A	(D) (E)	<u>Door RaceTrak Style Moulding Clip</u> - Plastic - Metal		2.00 ea. 2.00 ea.



Moulding Clips INCLUDED

FENDER RACETRACK STYLE MOULDINGS & CLIPS 77-79

PART #	PIC	DESCRIPTION	MODEL	PRICE
D7TZ-16003-AA D7TZ-16004-AA		<u>Front Fender Lower Moulding</u> - Race Track Style - RH - Race Track Style - LH		125.00 ea. 125.00 ea.
C8GY-16A076-A	(F)	<u>Fender RaceTrak Moulding Clip</u>		2.00 ea.



Moulding Clips INCLUDED


Quality Assured Parts
Made in USA



**LOWER BED ROCKER
MOULDINGS**

73-79

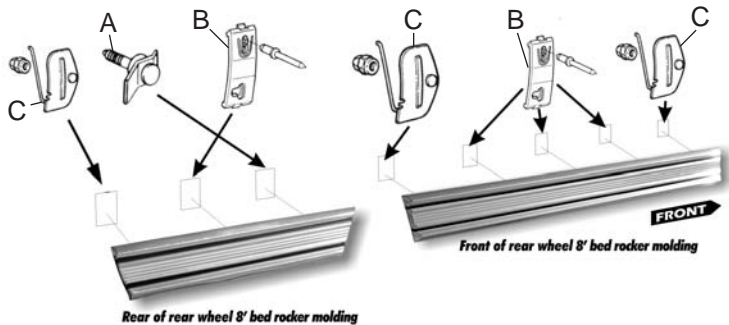
PART #	PIC	DESCRIPTION	PRICE
D3TZ-9929076-C		- Front of Bed - 6 3/4 ft. bed - RH	75.00 ea.
D3TZ-9929077-C		- Front of Bed - 6 3/4 ft. bed - LH	75.00 ea.
D3TZ-9929076-A		- 8 ft - RH w/o tool storage compt.	75.00 ea.
D3TZ-9929077-A		- 8 ft - LH w/o tool storage compt.	75.00 ea.
D3TZ-9929076-E		- 8 ft. bed - RH - Front w/ tool compt.	Coming
D3TZ-9929076-B		- 8 ft. bed - RH - Door w/ tool compt.	Coming
D3TZ-9929076-D		- 8 ft. bed - RH - Rear w/ tool compt.	Coming
D3TZ-9929314-B		- RH - Rear of Bed, Ex. Camper Special	50.00 ea.
D3TZ-9929315-B		- LH - Rear of Bed, Ex. Camper Special	50.00 ea.

**BED ROCKER
MOULDING CLIPS**

73-79

PART #	PIC	DESCRIPTION	PRICE
381955-S	(A)	Bed Rocker Moulding Clip	1.50 ea.
D3TZ-9929144-A	(B)	Bed Rocker Moulding Clip - ORIGINAL TOOLING	2.50 ea.
D3TZ-1021094-A	(C)	Bed Rocker Moulding Clip	3.50 ea.

Placement and quantity of the molding retainers are shown below. Applies to left or right side.



**Moulding Clips
INCLUDED**



**CAB ROCKER
MOULDINGS**

73-79

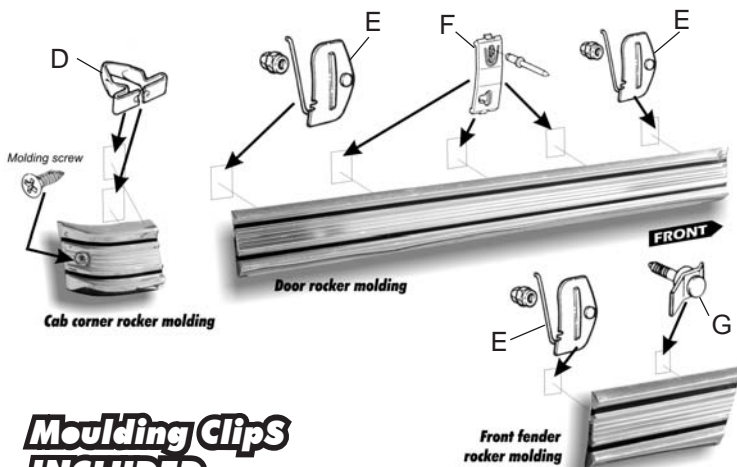
PART #	PIC	DESCRIPTION	PRICE
<u>Front Fender Rocker Moulding</u>			
D3TZ-16003-D		- RH	40.00 ea.
D3TZ-16004-D		- LH	40.00 ea.
<u>Door Rocker Moulding</u>			
D4TZ-1020878-A		- RH	85.00 ea.
D4TZ-1020879-A		- LH	85.00 ea.
<u>Cab Corner Rocker Moulding - (Reg. Cab) - RH</u>			
D3TZ-10423A16-A		- (Reg. Cab) - RH	65.00 ea.
<u>Cab Corner Rocker Moulding - (Reg. Cab) - LH</u>			
D3TZ-10423A17-A		- (Reg. Cab) - LH	65.00 ea.

**CAB ROCKER
MOULDING CLIPS**

73-79

PART #	PIC	DESCRIPTION	PRICE
D20Z-71425A94-A	(D)	Cab Rocker Moulding Clip	1.50 ea.
D3TZ-1021094-A	(E)	Cab Rocker Moulding Clip	3.50 ea.
D4TZ-1021066-A	(F)	Cab Rocker Moulding Clip	2.50 ea.
381955-S	(G)	Cab Rocker Moulding Clip	1.50 ea.

Placement and quantity of the molding retainers are shown below. Applies to left or right side.



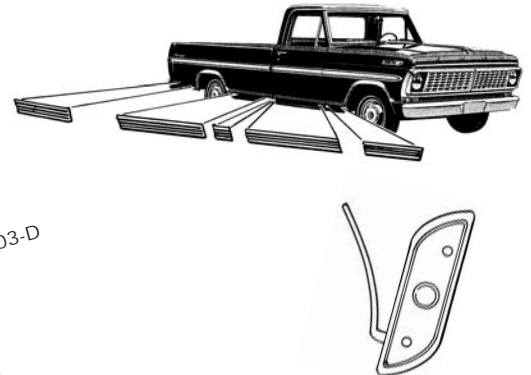
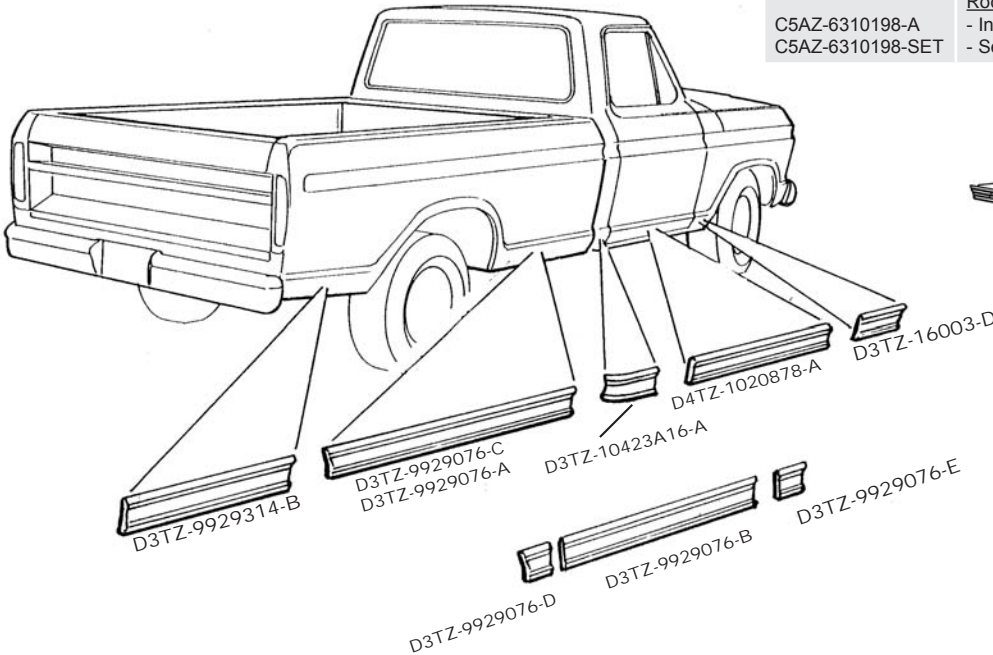
**Moulding Clips
INCLUDED**

MOULDINGS

1967-79 Truck
Quality Ford Restoration Parts

ROCKER MOULDING SET - NO CLIPS

PART #	DESCRIPTION	MODEL	YEAR	PRICE
<u>Rocker Moulding Set</u>				
- 67-69 Ranger				
- 70-72 Sports Custom				
C7TZ-9910176-SB	- Short Bed			350.00 set
C7TZ-9910176-LB	- Long Bed ex. w/ toolbox			350.00 set
<u>Rocker Moulding Clip</u>				
C5AZ-6310198-A	- Individual - (17) per side	F100-250	67-72	2.75 ea.
C5AZ-6310198-SET	- Set - (34)	F100-250	67-72	70.00 set



Compare Our Quality 
MADE IN THE U.S.A.

1973-79 ROCKER MOULDING SETS

D3TZ-1010176-LB



Rocker Moulding Kit F100-350
Long Bed, Reg. Cab, 10 pcs. kit 1973-79
Includes Clips

D3TZ-16003-D	RH Front Fender	
D3TZ-16004-D	LH Front Fender	
D4TZ-1020878-A	RH Door Moulding	
D4TZ-1020879-A	LH Door Moulding	
D3TZ-10423A16-C	RH Cab Corner	
D3TZ-10423A17-C	LH Cab Corner	
D3TZ-9929076-A	RH Lower Bed	
D3TZ-9929077-A	LH Lower Bed	
D3TZ-9929314-B	<i>RH Lower Bed</i>	
D3TZ-9929315-B	<i>LH Lower Bed</i>	

All moulding fasteners included

\$550.00 set

D3TZ-1010176-SB




Rocker Moulding Kit F100-350
Short Bed, Reg. Cab, 10 pcs. kit 1973-79
Includes Clips

D3TZ-16003-D	RH Front Fender	
D3TZ-16004-D	LH Front Fender	
D4TZ-1020878-A	RH Door Moulding	
D4TZ-1020879-A	LH Door Moulding	
D3TZ-10423A16-C	RH Cab Corner	
D3TZ-10423A17-C	LH Cab Corner	
D3TZ-9929076-A	RH Lower Bed	
D3TZ-9929077-A	LH Lower Bed	
D3TZ-9929314-B	<i>RH Lower Bed</i>	
D3TZ-9929315-B	<i>LH Lower Bed</i>	

All moulding fasteners including

\$550.00 set


BACK BELT MOULDING - 67-72

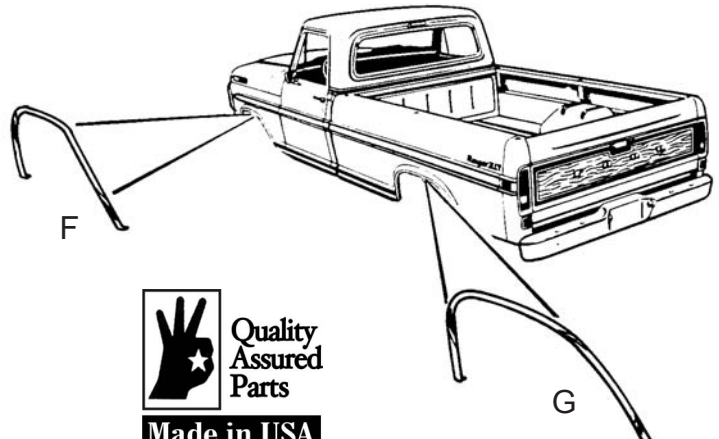
PART #	PIC	DESCRIPTION	MODEL	YEAR	PRICE
 Classic Parts From Original Tooling	(A)	<u>Cab Wrap Around Rear Corner Belt Moulding</u> - Pressure Die Cast - RH w/ clips - LH w/ clips	F100-750	67-72	30.00 ea.
C7TZ-81423A18-A C7TZ-81423A19-A			F100-750	67-72	30.00 ea.
C7TZ-81423A20-PR	(B)	<u>Cab Rear Belt Mouldings - Right & Left Side w/ fasteners</u> Aluminum	F100-750	67-72	65.00 pr.
C8TZ-8140248-A	(C)	<u>Back Cab Belt Moulding Plastic Fastener to hold Mouldings F100-350 to cab; Below Back Window</u> Need (12) per truck		67-72	1.50 ea.




**1967-72 F100/750 BELOW REAR WINDOW
CAB MOULDINGS with FASTENERS**

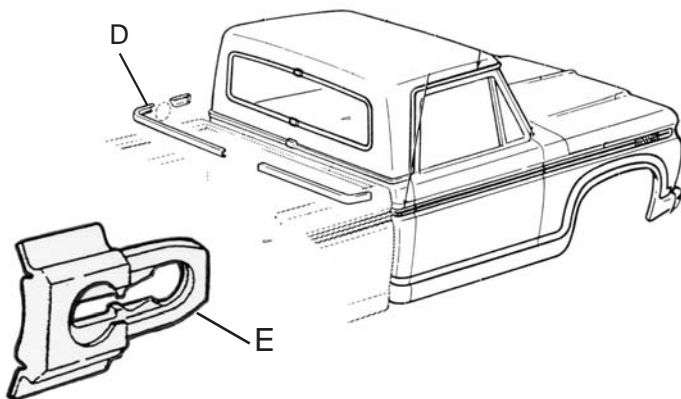
WHEEL OPENING MOULDINGS - 67-72

PART #	PIC	DESCRIPTION	MODEL	YEAR	PRICE
MFG. ON ORIGINAL TOOLING  Classic Parts From Original Tooling					
C7TZ-16038-A C7TZ-16039-A	(F)	<u>Front Fender Wheel Opening Moulding</u> - RH - LH	F-100-250 F-100-250	67-72 67-72	45.00 ea. 45.00 ea.
C7TZ-9929164-A C7TZ-9929165-A	(G)	<u>Style Side Bed Rear Wheel Opening Moulding</u> - Right Side - Left Side	F-100-250 F-100-250	67-72 67-72	45.00 ea. 45.00 ea.
C7TZ-16038-SET		<u>SAVE! - Set of 4</u>	F-100-250	67-72	160.00 set





BACK BELT MOULDING - 73-79

PART #	PIC	DESCRIPTION	MODEL	YEAR	PRICE
 Classic Parts From Original Tooling	(D)	<u>Back Belt Moulding w/ fasteners</u>			
D3TZ-10423A20-PR D3TZ-25423A21-PR D4TZ-10423A20-PR		- w/ Reg Cab - w/ in Cab Tank - w/ Super Cab	F100-350 F100-350 F100-350	73-79 73-79 74-79	50.00 pr. 50.00 pr. 50.00 pr.
C7SZ-6540248-B	(E)	<u>Back Belt Moulding Clip</u> - (8) per truck	F100-350	73-79	1.50 ea.
D3TZ-25423A21-B		<u>Cab Rear Belt Moulding End</u> - Left Side - w/ in cab fuel tank - Genuine Ford	F100-350	73-77	30.00 ea.



WHEEL OPENING MOULDING - 73-79

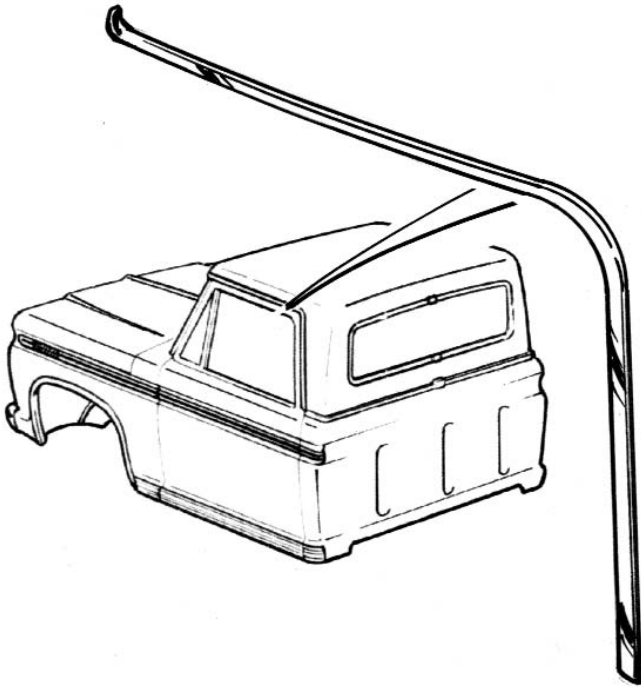
PART #	PIC	DESCRIPTION	MODEL	YEAR	PRICE
 Classic Parts From Original Tooling		<u>Front Fender Wheel Opening Moulding</u>			
D8TZ-16038-A D8TZ-16039-A		- RH - LH	F100-250 F100-250	73-79 73-79	40.00 ea. 40.00 ea.
 Classic Parts From Original Tooling		<u>Bed Side Wheel Opening Moulding</u>			
D3TZ-9929164-A D3TZ-9929165-A		- RH - Genuine Ford - LH	F100-250 F100-250	73-79 73-79	40.00 ea. 40.00 ea.
D3TZ-9929164-B D3TZ-9929165-B		<u>Bed Side Wheel Opening Moulding - Super Camper</u> - Genuine Ford - RH - Genuine Ford - LH	F350 F350		40.00 ea. 40.00 ea.
D3TZ-16038-SET		<u>Wheel Opening Moulding Set - Set of (4)</u> Set includes : D8TZ-16038-A D8TZ-16039-A D3TZ-9929164-A D3TZ-9929165-A	F/100/250		150.00 set

ROOF DRIP RAIL MOULDING

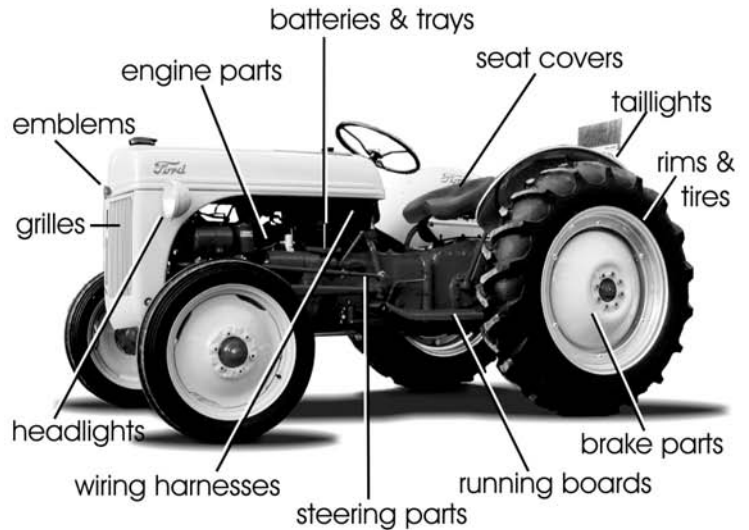
1967-79 Truck
Quality Ford Restoration Parts

ROOF DRIP RAIL MOULDING - 73-79

PART #	DESCRIPTION	MODEL	YEAR	PRICE
D3TZ-1051726-A	- RH - Regular Cab	F100-350	73-79	35.00 ea.
D3TZ-1051727-A	- LH - Regular Cab	F100-350	73-79	35.00 ea.
D4TZ-1051726-A	- RH - Super Cab- Orig. Tooling	F100-350	74-79	35.00 ea.
D4TZ-1051727-A	- LH - Super Cab- Orig Tooling	F100-350	74-79	35.00 ea.
D3TZ-2551727-A	- LH - Crew Cab	F250-350	73-79	35.00 ea.
D3TZ-2551726-A	- RH - Crew Cab	F250-350	73-79	35.00 ea.



Ford tractor restoration parts



www.dennis-carpenter.com



Restoration parts especially for N-Series and Jubilee Ford tractors.

Order a free parts catalog
1-800-476-9653



4140 Concord Parkway So., Concord, NC 28027 Tech Info: 704-786-8139
E mail: info@dennis-carpenter.com Fax Orders: 704-786-8180

We make our F100/350 side moldings from the ORIGINAL FORD TOOLING.



The protective coating has been peeled back on this 1973-79 F100/350 upper door molding which has just been pulled from a metal stamping process. This particular "strike" gives the moldings their characteristic rolled over ends.



Classic Parts From Original Tooling



Aluminum stock is drawn through a series of roll forming dies



1973-79 Ford F100/350 side molding stock emerges

Our 1973-1979 F100/350 pickup truck side moldings begin as a huge spool of .030 aluminum stock. The aluminum is then pulled through a series of rollers which have had their surfaces machined to match the surface of the side molding. The tooling used by Dennis Carpenter Ford Reproductions to recreate these side moldings are the same roll forming dies that were used by the Ford Motor Company to create the moldings for their then new trucks many years ago.

As the formed aluminum stock exits the roller dies it is then cut into manageable lengths so that it can be distributed to other parts of the plant to receive further processing. Also at the cutting stage the side molding stock is regularly checked with a contour gage to ensure mandatory accuracy.

Other metal stamping processes are then applied to the aluminum stock which will determine whether the moldings are to be used for doors, fenders, or bed sides. After the moldings have been shaped into their final form a bright anodized finish is applied along with black detail stripes.



Some stamping tools will do several operations simultaneously like this 7 stage arrangement.



The molding contour is regularly checked for accuracy

DECALS

1967-79 Truck
Quality Ford Restoration Parts

AIR CLEANER DECALS

PART #	PIC	DESCRIPTION	YEAR	PRICE
DF-53		390-2V Air Cleaner Decal	68-69	3.50 ea.
DF-54		390-4V Premium Fuel A.C.D. Decal	68-69	3.50 ea.
DF-57		352-2V Air Cleaner Decal	68-69	3.50 ea.
DF-60		302-2V Air Cleaner Decal	68-69	3.50 ea.
DF-150		Front Air Cleaner Decal	67-75	4.00 ea.
DF-160	(J)	Autolight Spark Plug A.C.D	67	3.50 ea.
DF-182		302-2V Air Cleaner Decal	70-71	4.00 ea.
DF-184		351-2V Air Cleaner Decal	70-71	4.00 ea.
DF-185	(K)	351-4V Air Cleaner Decal	70-71	4.00 ea.
DF-466		352/208 HP Air Cleaner Decal	67	4.50 ea.
DF-469		240/150 HP Air Cleaner Decal	67	5.00 ea.



J



K



AIR CLEANER DECALS

PART #	PIC	DESCRIPTION	MODEL	YEAR	PRICE
DF-149	(A)	Ford Truck Air Cleaner Service Instructions Decal		67-75	3.00 ea.
DF-181	(B)	429-4V Air Cleaner Decal		72-73	4.00 ea.
DF-253	(C)	302-2V Air Cleaner Decal		72-73	4.00 ea.
DF-313	(D)	Ford Truck 360 CID Air Cleaner Decal		68-75	4.00 ea.
DF-318	(E)	460 CID Air Cleaner Decal		74-77	3.50 ea.
DF-325	(F)	Ford Truck Autolight Spark Plug A.C.D		68-74	3.50 ea.
DF-338		Ford Truck 400-2V Air Cleaner Decal		71-74	4.00 ea.
DF-339	(G)	Ford Truck 460-4V Air Cleaner Decal		72-73	4.00 ea.
DF-479	(H)	Ford Truck 390-4V Premium Fuel A.C.D. Decal		70-76	4.00 ea.
DF-1111		460 CID Air Cleaner Decal		78	4.00 ea.



Specify

Autolite

F

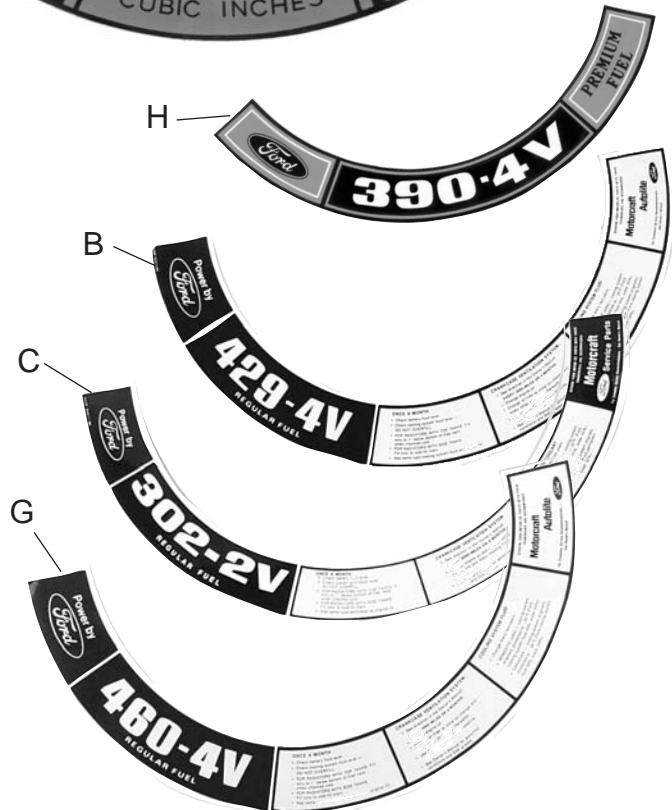


D

E



A



H

B

C

G

**Compare Our
Quality** ✓
MADE RIGHT, FITS RIGHT



Making Quality Ford Restoration Parts since 1970



VALVE COVER DECALS

PART #	PIC	DESCRIPTION	YEAR	PRICE
DF-410		Powered By Ford Valve Cover Decal - Chrome		3.50 ea.
DF-411		Powered By Ford Valve Cover Decal - White		3.50 ea.



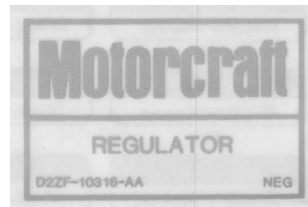
DF-411

ENGINE COMPARTMENT DECALS

PART #	PIC	DESCRIPTION	MODEL	YEAR	PRICE
DF-31	(A)	Caution Fan Decal		68-78	3.50 ea.
DF-654	(B)	Radiator Caution Decal		72-82	3.50 ea.
DF-697		Air Conditioner Charge Decal		74-78	4.00 ea.
DF-714	(C)	Voltage Regulator Decal		72-80	4.00 ea.
DF-715	(D)	Motorcraft Coil Decal		72-80	4.00 ea.
DF-821	(E)	Heater / Air Service Instruction Decal		73-79	4.00 ea.
DF-828	(F)	Coolant Caution Decal		77-86	3.50 ea.
DF-1181		4 x 4 Oil Fill Decal		73-78	4.00 ea.



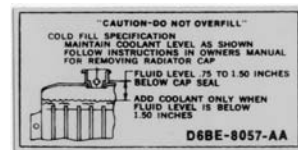
A



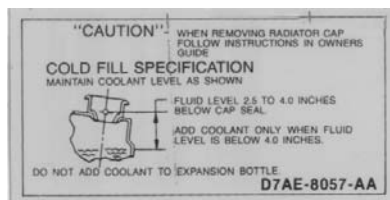
C



D



B



F



E

DECALS

1967-79 Truck
Quality Ford Restoration Parts

ENGINE COMPARTMENT TAGS & RINGS

PART #	PIC	DESCRIPTION	MODEL	YEAR	PRICE
DF-351	(G)	Air Conditioner Aluminum Tag		64-76	5.00 ea.
DF-784	(H)	Sta-Ful Autolite Battery Tag		60-78	4.00 ea.



G



H

INTERIOR DECALS

PART #	PIC	DESCRIPTION	MODEL	YEAR	PRICE
DF-135		New Vehicle Window Price Sticker		77	4.00 ea.
DF-579		New Vehicle Window Price Sticker		79-80	4.00 ea.



EMISSION DECALS

PART #	PIC	DESCRIPTION	MODEL	YEAR	PRICE
DF-641	(I)	302 AT/MT Emission Decal		1973	4.00 ea.
DF-735	(J)	302 MT Emission Decal		1978	5.00 ea.
DF-955		302 AT Emission Decal		1978	5.00 ea.
DF-1071		460 AT Emission Decal		1979	5.00 ea.
DF-1096		351 M AT Emission Decal		1978	5.00 ea.
DF-1147		390 AT Emission Decal		1976	5.00 ea.
DF-1180		360 AT/MT emission Decal		1976	5.00 ea.
DF-1186		400 Emission Decal		1977	5.00 ea.



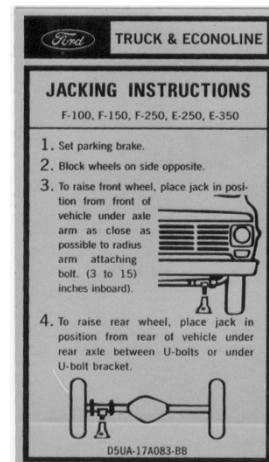
I



J

JACK INSTRUCTION DECALS

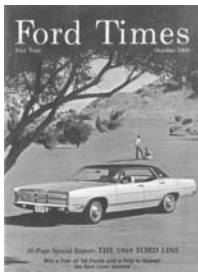
PART #	PIC	DESCRIPTION	MODEL	YEAR	PRICE
DF-657	(K)	Jack Instructions Decal		75-79	3.50 ea.



K

FORD TIME MAGAZINE - MAY BE SOILED

PART #	PIC	DESCRIPTION	PRICE
CA-1967-1		Ford Times - January 1967 edition	8.50 ea.
CA-1967-2		Ford Times - February 1967 edition	8.50 ea.
CA-1967-3		Ford Times - March 1967 edition	8.50 ea.
CA-1967-4		Ford Times - April 1967 edition	8.50 ea.
CA-1967-5		Ford Times - May 1967 edition	8.50 ea.
CA-1967-6		Ford Times - June 1967 edition	8.50 ea.
CA-1967-7		Ford Times - July 1967 edition	8.50 ea.
CA-1967-8		Ford Times - August 1967 edition	8.50 ea.
CA-1967-9		Ford Times - September 1967 edition	8.50 ea.
CA-1968-3		Ford Times - March 1968 edition	8.50 ea.
CA-1968-6		Ford Times - June 1968 edition	8.50 ea.
CA-1968-7		Ford Times - July 1968 edition	8.50 ea.
CA-1968-10		Ford Times - October 1968 edition	8.50 ea.
CA-1968-12		Ford Times - December 1968 edition	8.50 ea.
CA-1969-2		Ford Times - February 1969 edition	8.50 ea.
CA-1969-3		Ford Times - March 1969 edition	8.50 ea.
CA-1969-4		Ford Times - April 1969 edition	8.50 ea.
CA-1969-5		Ford Times - May 1969 edition	8.50 ea.
CA-1969-6		Ford Times - June 1969 edition	8.50 ea.
CA-1969-7		Ford Times - July 1969 edition	8.50 ea.
CA-1969-8		Ford Times - August 1969 edition	8.50 ea.
CA-1969-10		Ford Times - October 1969 edition	8.50 ea.
CA-1969-11		Ford Times - November 1969 edition	8.50 ea.
CA-1970-1		Ford Times - January 1970 edition	8.50 ea.
CA-1970-2		Ford Times - February 1970 edition	8.50 ea.
CA-1970-4		Ford Times - April 1970 edition	8.50 ea.
CA-1970-10		Ford Times - October 1970 edition	8.50 ea.
CA-1970-12		Ford Times - December 1970 edition	8.50 ea.
CA-1971-1		Ford Times - January 1971 edition	8.50 ea.
CA-1971-2		Ford Times - February 1971 edition	8.50 ea.
CA-1971-4		Ford Times - April 1971 edition	8.50 ea.
CA-1971-5		Ford Times - May 1971 edition	8.50 ea.
CA-1971-6		Ford Times - June 1971 edition	8.50 ea.
CA-1971-8		Ford Times - August 1971 edition	8.50 ea.
CA-1971-9		Ford Times - September 1971 edition	8.50 ea.
CA-1971-10		Ford Times - October 1971 edition	8.50 ea.
CA-1972-1		Ford Times - January 1972 edition	8.50 ea.
CA-1972-3		Ford Times - March 1972 edition	8.50 ea.
CA-1972-4		Ford Times - April 1972 edition	8.50 ea.
CA-1972-7		Ford Times - July 1972 edition	8.50 ea.
CA-1972-10		Ford Times - October 1972 edition	8.50 ea.
CA-1972-11		Ford Times - November 1972 edition	8.50 ea.



BOOKS

PART #	DESCRIPTION	MODEL	YEAR	PRICE
AM-0116	Body - Interior Trim Assembly Manual		68	25.00 ea.
CA-3250	"How To Be An Expert Driver" By Al Esper, Chief Test Driver for Ford Motor Company - 18 page booklet			25.00 ea.
CA-3600	Steering Wheel Restoration Book			13.00 ea.
MP-271	Illustrated Facts & Features Manual		67-68	7.50 ea.
MP-275	Illustrated Facts & Features Manual		69-70	7.50 ea.
MP-212	Illustrated Facts & Features Manual		71-72	7.50 ea.
MP-368	Wiring Manual		67	7.50 ea.
MP-0385	Wiring Diagram Manual	F100-350	68	10.00 ea.
MP-0386	Wiring Diagram Manual	F100-350	69	10.00 ea.
TR-4622	"How To Restore Your Pick-Up" - Step-by-Step Restoration Guide for 1947-67 Ford Pick-Ups - 224 pages			25.00 ea.
TR-6730-1	Truck Sales Post Card		67	5.00 ea.
TR-6830-5	Post Card featuring The 1968 Ford F100 Explorer Special		68	5.00 ea.
TR-7030-5	Fold-out Sales Brochure featuring The 1970 Ford F100 Explorer Special		70	8.00 ea.
TR-7130	Sales Brochure featuring The 1971 Ford Trucks F100-350 And 4-Wheel Drive		71	15.00 ea.
TR-7230	Sales Brochure featuring The 1972 Ford Trucks F100-350		72	15.00 ea.

How To Be An Expert Driver
- by Al Esper,
Chief test driver for
FORD motor company
- 18 page booklet



Steering Wheel
Restoration Book



...to a 1971-with the most improvements since you last bought a pickup

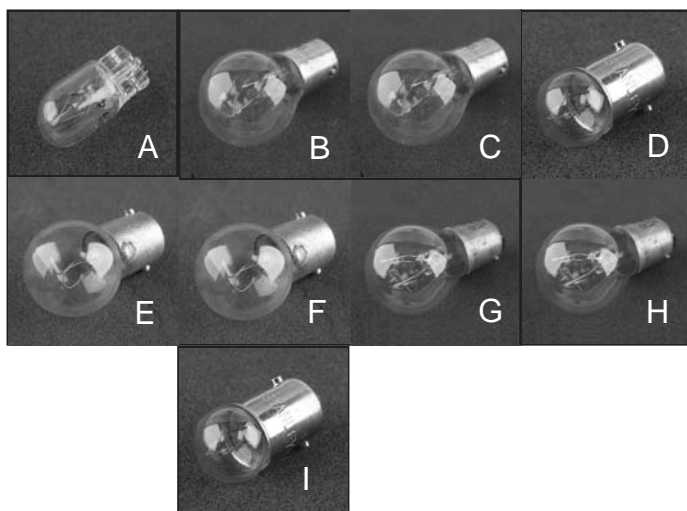


MISCELLANEOUS

1967-79 Truck
Quality Ford Restoration Parts

LIGHT BULBS

PART #	PIC	DESCRIPTION	MODEL	YEAR	PRICE
B6A-13007		Headlight Bulb - 12 volt		67-72	7.00 ea.
C2AZ-13466-C	(A)	#194 Bulb			1.50 ea.
C3AZ-13466-97		Rear License Plate Light Bulb		67-72	1.00 ea.
C3DZ-13466-A	(B)	Backup Light Bulb	F100-350	73-79	1.50 ea.
C3DZ-13466-A	(C)	Cargo Area Light Bulb - Before Serial #Y60,001	F100-350	74-77	1.50 ea.
B6A-13730-1003		Dome Light Bulb		67	1.50 ea.
C3SZ-13466-1004		Dome Light Bulb		68-69	1.50 ea.
DOAZ-13466-105		Dome Light Bulb		70-72	2.75 ea.
C2AZ-13466-C	(B)	Instrument Cluster Bulb & Side Marker Rear		70-72	1.50 ea.
B6A-13466-1445	(D)	Headlamp & Wiper / Washer Switch Light Blue	F100-350	73-79	1.00 ea.
C3AZ-13466-1895		Instrument Cluster Bulb		67-72	1.00 ea.
C3AZ-13466-1895	(E)	Hi-Beam Indicator Light Bulb	F100-350	67-76	1.00 ea.
C3AZ-13466-1895	(F)	Turn Signal Indicator Light Bulb	F100-350	73-76	1.00 ea.
C3AZ-13466-1157	(G)	Front Park Light Bulb - From Serial #C50,001	F100-350	67-76	1.50 ea.
B7A-13466-1157NA		Front Park Light Bulb - Before Serial #C50,001 - amber glass	F100-350	73-76	2.00 ea.
C3AZ-13466-1157	(H)	Taillight Bulb	F100-350	67-79	1.50 ea.
B6A-13466-1445	(I)	Transmission Selector Dial Light Bulb	F100-350	73-79	1.00 ea.



BUMPER STICKERS

PART #	PIC	DESCRIPTION	YEAR	PRICE
DF-361		Ford Script Bumper Sticker - 3-1/2"		3.00 ea.
DF-362		Ford Script Bumper Sticker - 6-1/2"		4.50 ea.
DF-363		Ford Script Bumper Sticker - 9-1/2"		5.00 ea.
DF-364		Ford Script Bumper Sticker - 17"		6.00 ea.
DF-1388		Ford Oval Decal "Blue on Clear" - 3 1/2"		3.00 ea.
DF-1389		Ford Oval Decal "Blue on Clear" - 6 1/2"		4.50 ea.
DF-1390		Ford Oval Decal "Blue on Clear" - 9 1/2"		5.00 ea.
DF-1391		Ford Oval Decal "Blue on Clear" - 17"		6.00 ea.

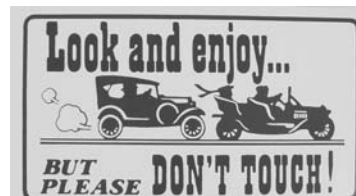


MAGNETIC SIGNS

PART #	PIC	DESCRIPTION	YEAR	PRICE
MM-2	(J)	"LOOK, BUT...PLEASE DON'T TOUCH!"		6.00 ea.
MM-3	(K)	Look and Enjoy, But Please Don't Touch		6.00 ea.



J



K



LICENSE PLATE BOLTS W/ GLASS REFLECTOR

PART #	PIC	DESCRIPTION	PRICE
LP-2A		- Amber	7.00 ea.
LP-2R		- Red	7.00 ea.
LP-2B		- Blue	7.00 ea.
LP-2G		- Green	7.00 ea.



HUB CAPS

PART #	PIC	DESCRIPTION	YEAR	PRICE
D7TZ-1130-A	(A)	- 10 13/16" - Rear	78-79	50.00 ea.

A



FRONT WHEEL SEALS

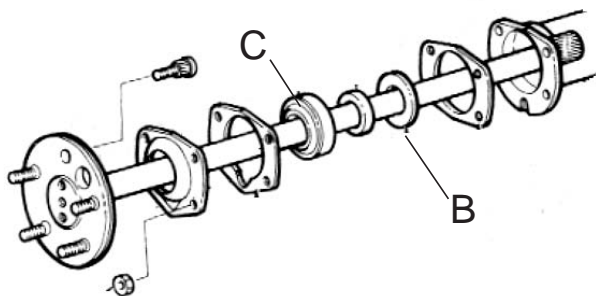
PART #	PIC	DESCRIPTION	YEAR	PRICE
C9TZ-1175-C		<u>Front Brake Drum Seal</u> -2 1/2" I.D. x 3 5/8" O.D. -From serial #F30,001	78-79	8.00 ea.
D6TZ-1175-B		<u>Front Brake Drum Seal</u> -1 5/8" O.D. x 1 5/16" I.D.	78-79	11.00 ea.

FRONT WHEEL BEARING & RACES

PART #	PIC	DESCRIPTION	YEAR	PRICE
B7A-4221-B		<u>Wheel Bearing - Inner</u> - Disc Brakes	66-79	10.00 ea.
B7A-4222-B		<u>Wheel Bearing Race - Inner</u> - Disc Brakes	66-79	7.00 ea.
B7A-4221-A		<u>Wheel Bearing - Outer</u> - Disc Brakes	66-79	10.00 ea.
B7A-4222-A		<u>Wheel Bearing Race - Outer</u> - Disc Brakes	66-79	6.00 ea.
D8TZ-1197-B		<u>Outer Wheel Bearing Adjustment Nut</u>	78-79	5.00 ea.

REAR AXLE BEARINGS & SEALS

PART #	PIC	DESCRIPTION	YEAR	PRICE
D4AZ-1177-A	(B)	<u>Rear Axle Seal</u> - 1-55/64" I.D. x 3-9/64" O.D. - Roller Bearing	78-79	15.00 ea.
D4AZ-1225-A	(C)	<u>Rear Axle Bearing</u> - 3-5/32" O.D. x 1-9/16" I.D. x 25/32" Thick	78-79	39.50 ea.



VALVE STEM EXTENSION

PART #	PIC	DESCRIPTION	YEAR	PRICE
8A-1705		Plastic Valve Stem Extension -3/4" Long, Set of (4)	ALL	1.00 set



LOCKING HUB PARTS

PART #	PIC	DESCRIPTION	YEAR	PRICE
D9TZ-1K106-A		<u>Manual Locking Hub Repair Kit</u> - does 2 Hubs	79-91	40.00 kit

HUB BOLTS & LUG NUTS

PART #	PIC	DESCRIPTION	YEAR	PRICE
B-1012		<u>Lug Nut for plain wheels</u>	78-79	0.50 ea.



REAR BRAKE DRUM

PART #	PIC	DESCRIPTION	YEAR	PRICE
D6TZ-1126-A		-11" x 2 1/4"	78-79	90.00 ea.



REAR BRAKE SHOE & LINING SETS

PART #	PIC	DESCRIPTION	MODEL	YEAR	PRICE
		Set does (1) axle			
263-2001		- 11" x 2-1/4"	4 pcs.	78-79	50.00 set

BRAKE HOSES

PART #	PIC	DESCRIPTION	YEAR	PRICE
FRONT				
D8TZ-2078-A		- Front w/ line to junction block	78-79	38.00 ea.
D8TZ-2078-B		- RH	78-79	30.00 ea.
		- LH		
REAR				
D8TZ-2282-A		- 23" Rear	78-79	28.00 ea.

MASTER CYLINDER ASSEMBLY

PART #	PIC	DESCRIPTION	YEAR	PRICE
D7TZ-2140-C		Master Cylinder Assembly - w/ Pow	78-79	80.00 ea.



MASTER CYLINDER REPAIR KITS

PART #	PIC	DESCRIPTION	YEAR	PRICE
D7TZ-2004-A	-		78-79	30.00 ea.

REAR WHEEL CYLINDERS ASSEMBLIES

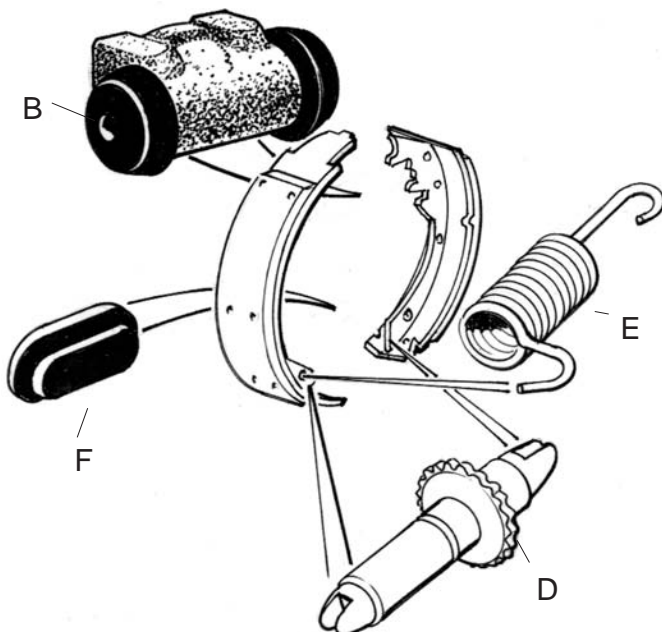
PART #	PIC	DESCRIPTION	YEAR	PRICE
C30Z-2261-A	(B)	- Right Side - 15/16"	78-79	36.00 ea.
C30Z-2262-A		- Left Side - 15/16"	78-79	36.00 ea.

WHEEL CYLINDER REPAIR KITS

PART #	PIC	DESCRIPTION	YEAR	PRICE
1 KIT DOES 1 CYLINDER				
B2A-2128		- Rear - 15/16"	78-79	10.00 ea.

MISC. BRAKE PARTS

PART #	PIC	DESCRIPTION	YEAR	PRICE
C4TZ-2041-S	(D)	Star Wheel Adj. Screw Assy. - Left Rear - 11" Drum	78-79	14.00 ea.
C1SS-2049	(E)	Rear Brake Adjusting Spring - For 1 Axle	78-79	12.50 ea.
C0MM-2036-A		Rear Brake Retracting Spring - Primary - 1 per wheel	78-79	4.00 ea.
C0MM-2035-A		- Secondary - 1 per wheel	78-79	4.00 ea.
8A-2092	(F)	Brake Adjusting Hole Cover - Rubber	78-79	0.50 ea.



BRAKE LIGHT SWITCHES

PART #	PIC	DESCRIPTION	YEAR	PRICE
D2TZ-13480-B		Brake Light Switch - Before Serial #CC0001	78-79	9.00 ea.



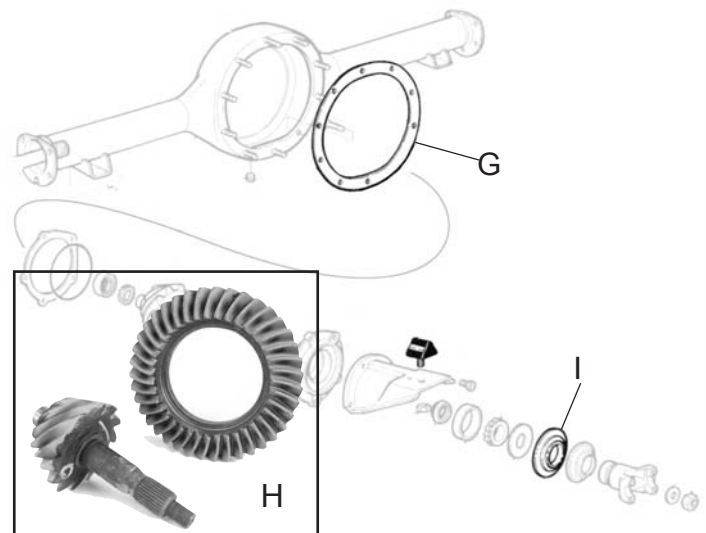
DRUM BRAKE HARDWARE KIT

PART #	PIC	DESCRIPTION	YEAR	PRICE
NOTE: Drum Brake Hardware Kit includes all of the hold down parts, adjusting screw springs and heavy duty return springs needed for (1) axle.				
C8TZ-2065-R		Drum Brake Hardware Kit - for rear axle	78-79	17.00 kit



DIFFERENTIAL HOUSING PARTS

PART #	PIC	DESCRIPTION	YEAR	PRICE
B7A-4035	(G)	Differential Housing Gasket - 9" Ford Rear End	78-79	8.00 ea.
B8AZ-4209-C	(H)	Differential Ring Gear and Pinion Set - 3.25 Ratio - 9" Ford Rear End	78-79	300.00 set
B8A-4676-B	(I)	Differential Pinion Seal - 1 13/16 I.D. x 3" O.D. - 9" Ford Rear End	78-79	14.00 ea.

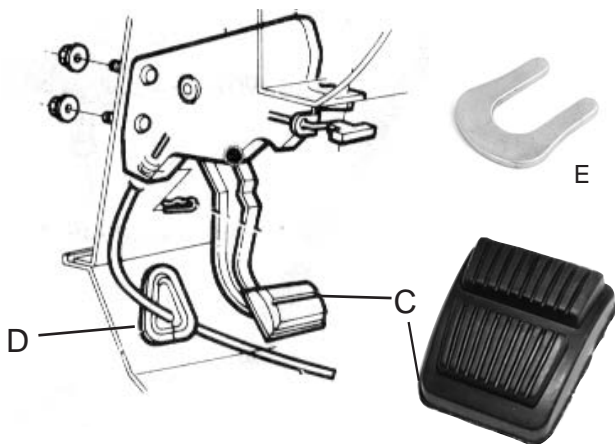


CLUTCH & BRAKE PEDAL PARTS

PART #	PIC	DESCRIPTION	YEAR	PRICE
B7A-2457-A	(A)	Clutch or Brake Pedal Pad	78-79	4.50 ea.
D3TZ-2457-A		<u>Brake Pedal Pad</u> - for pedal w/o metal trim	78-79	5.00 ea.
D6TZ-2457-A		for pedal w/ metal rim	78-79	10.00 ea.
B7AZ-2471-A	(B)	<u>Clutch or Brake Pedal Arm</u> <u>Plastic Bushing</u> - Clutch Pedal - (takes 2).....	78-79	1.00 ea.
		- Brake Pedal		
		- M/T w/o speed control (takes 4).....	78-79	
		- A/T w/speed control (takes 2).....	78-79	
C9AZ-2474-A		<u>Master Cylinder Push Rod to Brake Pedal</u> <u>Bushing</u> - Auto Trans w/ Speed Control	78-79	6.00 ea.
D3TZ-7583-A		<u>Clutch and Brake Pedal Bumper</u>	78-79	6.00 ea.

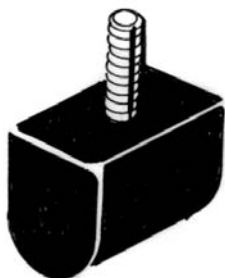
PARKING BRAKE PARTS

PART #	PIC	DESCRIPTION	YEAR	PRICE
C8SZ-2454-A	(C)	Park Brake Pedal Pad	78-79	8.00 ea.
C8SZ-2A798-A		Park Brake Pedal Pad Trim	78-79	Coming
D4TZ-2K650	(D)	Park Brake Cable to Floor Seal	78-79	7.50 ea.
91A-2106	(E)	Park Brake Lever to Brake Shoe Retaining Clip - need (2) per vehicle	78-79	0.75 ea.



AXLE BUMPERS

PART #	PIC	DESCRIPTION	YEAR	PRICE
C5TZ-4730-B		- Front or Rear	78-79	20.00 ea.



SPINDLE ASSEMBLY

PART #	PIC	DESCRIPTION	YEAR	PRICE
D6TZ-3105-C		<u>Front Spindle</u> - RH or LH	78-79	200.00 ea.



UPPER BALL JOINT

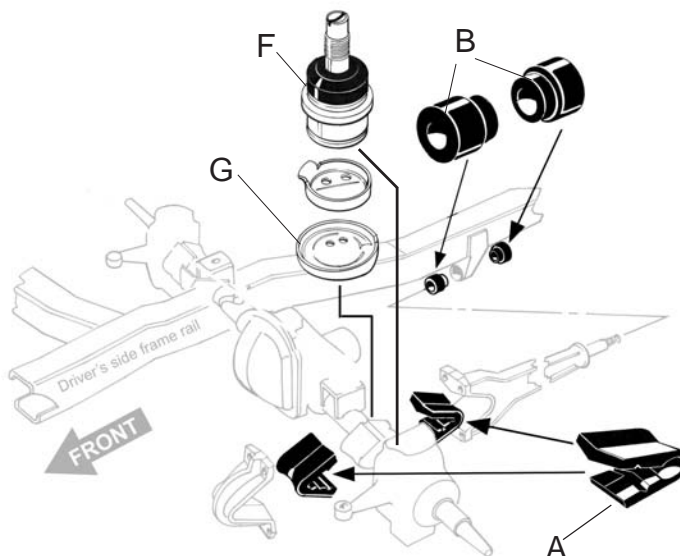
PART #	PIC	DESCRIPTION	YEAR	PRICE
D3TZ-3049-A	(F)	<u>Upper Ball Joint</u>	78-79	40.00 ea.

COIL SPRING PLATE -

PART #	PIC	DESCRIPTION	YEAR	PRICE
D8TZ-5B300-A		<u>Lower Front Spring Mounting Retainer</u>	78-79	25.00 ea.
D8TZ-5A307-B	(G)	<u>Coil Spring Bottom Plate - Lower</u>	78-79	30.00 ea.

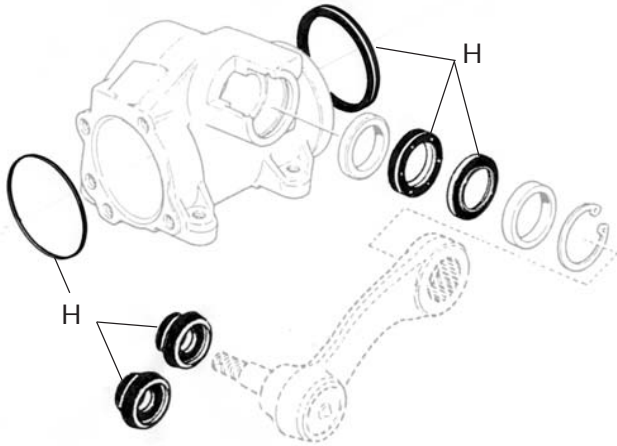
RADIUS ROD & AXLE PIVOT BUSHINGS - 4X4

PART #	PIC	DESCRIPTION	YEAR	PRICE
D8TZ-3B203-A		<u>Radius Arm Bushing</u> - Rear of Axle at Frame End	78-79	6.50 ea.
D6TZ-3B203-A		<u>Front Axle Radius Arm Bushing on</u> <u>Axle End</u> - 4 per Axle -	78-79	6.50 ea.
D8TZ-3B203-KIT		<u>Radius Arm Bushing and Axle Kit - 4x4</u> Takes: 4 - D6TZ-3B203-A 4 - D8TZ-3B203-A	78-79	50.00 kit



POWER STEERING BOX SEAL KIT

PART #	PIC	DESCRIPTION	YEAR	PRICE
D7AZ-3E501-A	(H)	Power Steering Gear Upper Sector Shaft Seal Kit - w/ Ford Type Steering Gear	78-79	42.00 ea.
D7AZ-3E502-A	(I)	Power Steering Gear Upper Input Shaft Seal Kit - w/ Ford Type Steering Gear	78-79	30.00 ea.



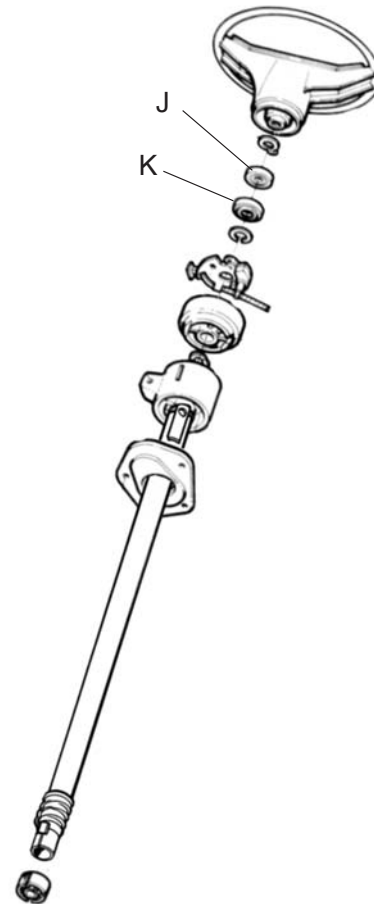
STEERING SHAFT COUPLING

PART #	PIC	DESCRIPTION	YEAR	PRICE
Coupling that connect the steering gear input shaft to the steering column shaft.				
D9TZ-3A525-A		- Power steering	77-79	78.00 ea.



STEERING COLUMN PARTS

PART #	PIC	DESCRIPTION	YEAR	PRICE
F23Z-3517-B	(J)	Upper Steering Column Bearing w/ Fixed Wheel	78-79	24.00 ea.
E2AZ-3518-C	(K)	Upper Steering Column Bearing Sleeve - w/ Fixed Wheel	78-79	7.00 ea.



POWER STEERING RESERVOIR CAP

PART #	PIC	DESCRIPTION	YEAR	PRICE
YF1Z-3A006-AA		Power Steering Reservoir Cap for Plastic Reservoir on Ford Pumps	78-96	9.00 ea.

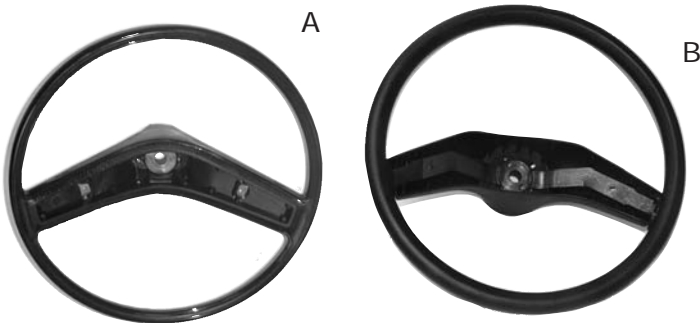
STEERING GEAR SECTOR SHAFT SCREW

PART #	PIC	DESCRIPTION	YEAR	PRICE
B7J-3577-A		Steering Gear Sector Shaft Adjusting Screw - MS	67-79	6.00 ea.



STEERING WHEEL

PART #	PIC	DESCRIPTION	YEAR	PRICE
D4TZ-3600-A	(A)	- Black - 2 Spoke - w/o Speed Control - w/o Horn Switch	74-77	250.00 ea.
D8TZ-3600-B	(B)	- Black - 2 Spoke - for Power Steering - w/o Horn Switch	78-86	250.00 ea.



HORN BAR PAD & SWITCH ASSEMBLY

PART #	PIC	DESCRIPTION	YEAR	PRICE
<u>Horn Bar Pad & Switch</u> <u>w/o speed control</u>				
D8TZ-13A805-C	(C)	- Woodgrain finish	78-81	125.00 ea.
D9TZ-13A805-A	(D)	- Black	78-81	100.00 ea.



HORN ASSEMBLY

PART #	PIC	DESCRIPTION	MODEL	YEAR	PRICE
C7TZ-13833-A		<u>Horn Assembly</u> - Original Design	F100-350	67-79	35.00 ea.



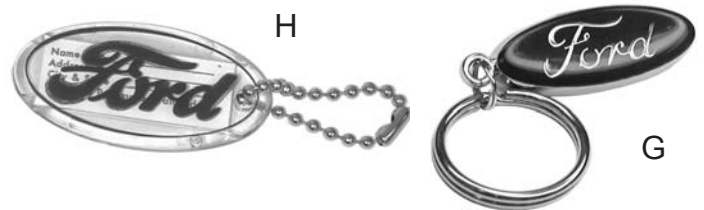
KEY BLANKS

PART #	PIC	DESCRIPTION	YEAR	PRICE
C7AZ-3685-A	(E)	Ignition & Door Lock	78-79	2.50 ea.
C7AZ-3685-B	(F)	Glove Box	78-79	2.50 ea.



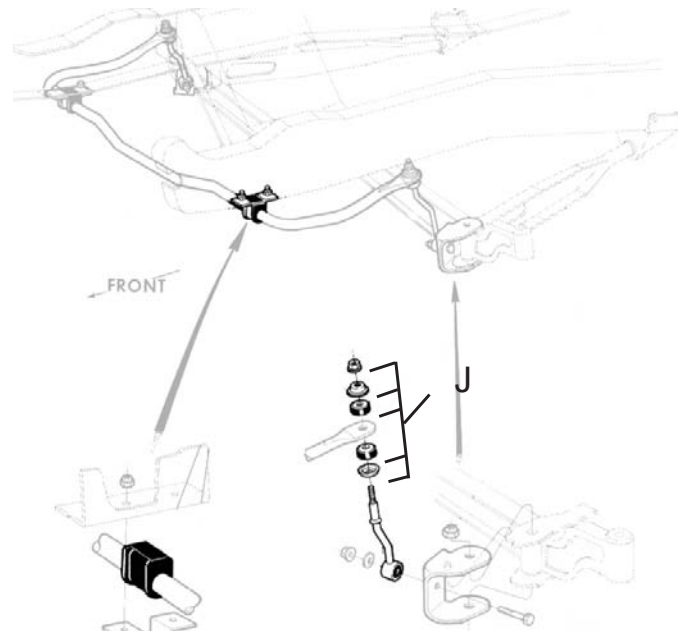
FORD KEY CHAINS

PART #	PIC	DESCRIPTION	YEAR	PRICE
KC-1	(G)	<u>Key Chain</u>		5.00 ea.
KC-2	(H)	<u>Key Chain - Ford Script</u>		5.00 ea.



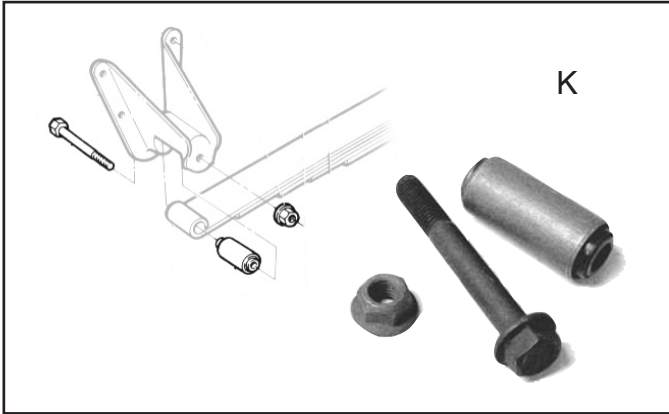
FRONT STABILIZER BAR PARTS

PART #	PIC	DESCRIPTION	YEAR	PRICE
D8TZ-5K483-A		<u>Front Stabilizer Bar Link</u> - (2) per vehicle - 4x4	78-79	50.00 ea.
D8TZ-5A486-A	(J)	<u>Front Stabilizer Bar Link End Repair Kit</u> - 2 per vehicle	78-79	18.00 kit
D8TZ-5493-A		<u>Stabilizer Bar Bushing</u> - Front -(2) per bar -on frame	78-79	12.00 ea.



REAR SPRING SHACKLE KIT

PART #	PIC	DESCRIPTION	YEAR	PRICE
For One Spring				
D3TZ-5630-A	(K)	Front of Rear Spring Shackle Kit - For Single Spring	78-79	12.00 kit

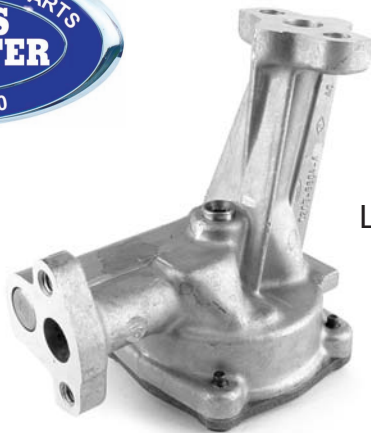


SHOCK ABSORBERS

PART #	PIC	DESCRIPTION	YEAR	PRICE
D5TZ-18124-A		Front	78-79	40.00 ea.
D8TZ-18125-A		Rear	78-79	40.00 ea.

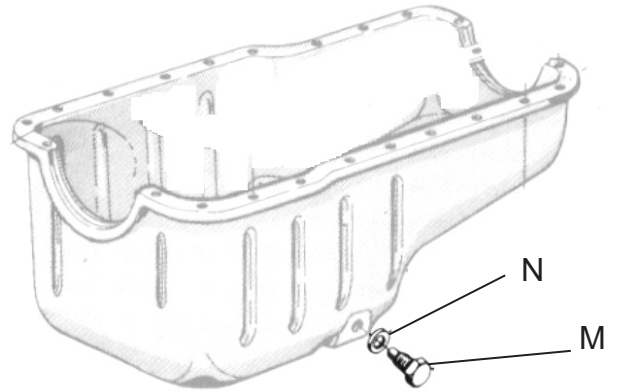
OIL PUMP

PART #	PIC	DESCRIPTION	MODEL	YEAR	PRICE
C20Z-6600-A	(L)	Oil Pump Assembly - Genuine Ford for 221, 260, 289, 302 V8	F100-250	69-96	20.00 ea.



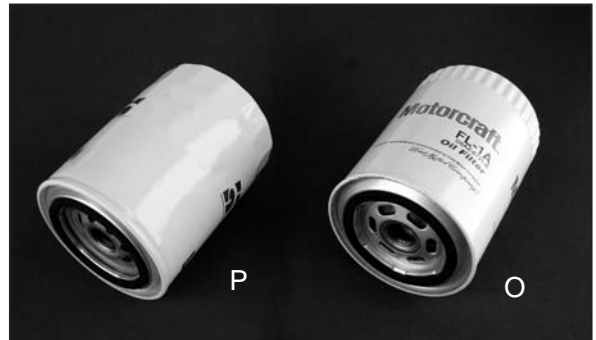
OIL PAN

PART #	PIC	DESCRIPTION	YEAR	PRICE
D1AZ-6730-A	(M)	Oil Pan Drain Plug - 1/2" x 20 - fits 170, 289, 302	78-86	8.00 ea.
C20Z-6734-A	(N)	Oil Pan Drain Plug Gasket - fits 170, 289, 302	78-86	3.00 ea.



OIL FILTERS

PART #	PIC	DESCRIPTION	YEAR	PRICE
D9AZ-6731-A	(O)	Spin-On Type Oil Filter - Motorcraft	78-86	7.00 ea.
C2AZ-6731-B	(P)	Spin-On Oil Filter - Hastings - with check valve - oil remains in top of motor for better lubrication during startup	78-86	9.00 ea.



OIL PRESSURE SENDING UNIT

PART #	PIC	DESCRIPTION	YEAR	PRICE
C8AZ-9278-A	(Q)	Oil Pressure Sending Unit - use w/ warning lights	78-79	9.00 ea.
D9ZZ-9278-A	(R)	- use w/ gauges - Original Ford	78-79	32.50 ea.
C9ZZ-9278-A		- use w/ gauges -aftermarket	78-79	20.00 ea.



NEUTRAL SAFETY SWITCH - AUTO

PART #	PIC	DESCRIPTION	YEAR	PRICE
D8TZ-7A247-A	(A)	Neutral Safety Switch on Transmission	78-79	120.00 ea.



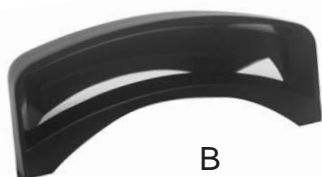
A

SHIFT RELATED

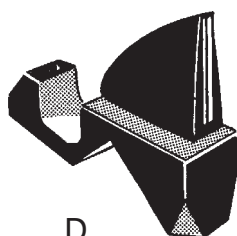
PART #	PIC	DESCRIPTION	YEAR	PRICE
D9TZ-7A004-B	(B)	Shift Indicator Cover	78-79	15.00 ea.
D8TZ-7B033-A	(C)	Trans. Shift Dial - 8 cyl. 351, 400 with C-6 - Fixed column	78-79	15.00 ea.
D8TZ-7A110-C	(D)	Shift Indicator Pointer - 8 cyl. 351, 400 with C-6 - Fixed column	78-79	10.00 ea.
D8TZ-7A213-A	(E)	Transmission Shift Dial Housing - Assembly w/ Tilt Column	78-79	35.00 ea.
B6A-13466-1445		Transmission Selector Dial Light Bulb	78-79	1.00 ea.



C



B



D



E

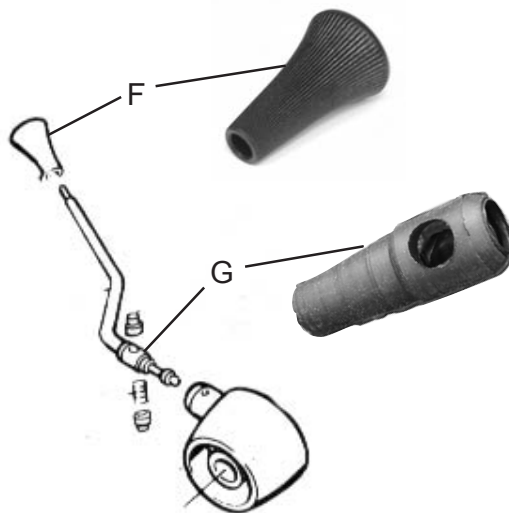
SHIFTER PINS

PART #	PIC	DESCRIPTION	YEAR	PRICE
357479-S		Transmission Gear Shift Lever Pin	78-79	0.50 ea.



TRANSMISSION GEAR SHIFT

PART #	PIC	DESCRIPTION	MODEL	YEAR	PRICE
E3SZ-7213-A	(F)	Gear Shift Knob/Column Shift- before 11-82 - Black	F100-350	73-83	10.00 ea.
01A-7246-B	(G)	Transmission Gear Shift Lever Insulator - MT - cut to fit	Bronco	78-79	8.00 ea.



F

G

TRANS. CONTROL SELECTOR LEVER SOCKET

PART #	PIC	DESCRIPTION	YEAR	PRICE
D9TZ-7228-A		- Automatic- Adjustable column	78-79	50.00 ea.
D9TZ-7228-B	(H)	- Automatic - Fixed Column	78-79	90.00 ea.
D9TZ-7228-C		- 3 speed transmission	78-79	130.00 ea.



H

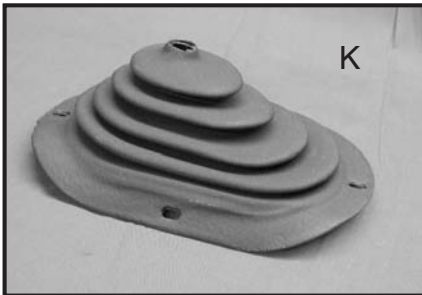
COLUMN SHIFTER PARTS

PART #	PIC	DESCRIPTION	YEAR	PRICE
E0TZ-7335-C		Shift Lever Bushing for Transfer Case - 2 per lever - part time	78-86	3.00 ea.
379620-S100	(I)	Column Gear Shift Lever Arm to Trans. Shift Arm Clip Also for transfer case - 2 per vehicle	78-79	2.00 ea.



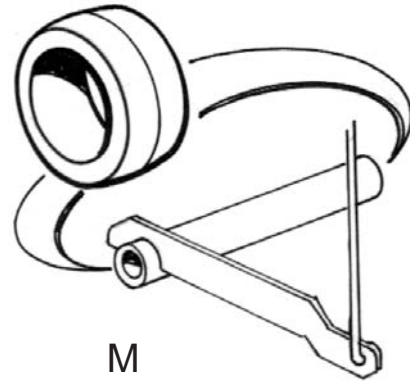
SHIFTER BOOT

PART #	PIC	DESCRIPTION	YEAR	PRICE
D7TZ-7277-A	(J)	Transmission Gear Shift Lever Boot - 4 speed floor shift except O/D	78-79	Coming
D3TZ-7277-A	(K)	Transfer Case Gear Shift Lever Boot 4 speed 4 wheel drive	78-79	90.00 ea.
D8TZ-1013100-B	(L)	Floor Shift Boot Retainer - Original Tooling	78-79	30.00 ea.



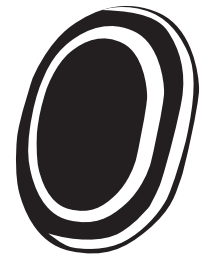
CLUTCH PARTS

PART #	PIC	DESCRIPTION	MODEL	YEAR	PRICE
C1AA-7543-A	(M)	Clutch Release Equalizer Shaft Ball in Plastic - .994" O.D. , .631" I.D. .50" thick - takes 2	Bronco	78-79	2.50 ea.



CLUTCH BOOTS, BUMPERS, & SEALS

PART #	PIC	DESCRIPTION	YEAR	PRICE
D3TZ-7583-A	(N)	Clutch and Brake Pedal Bumper - need (2) per car	73-79	6.00 ea.
D7TZ-7513-A		Clutch Release Lever Dust Boot for 351m-400m V8	77-82 78-79	15.00 ea.
D2TZ-7A533-C	(O)	Clutch Rod to Floor Seal - Rubber	78-79	17.50 ea.
385523-S	(P)	Clutch Rod Floor Hole Plug - Automatic Trans. to fill Clutch rod hole	78-79	4.00 ea.



RADIATOR CAP

PART #	PIC	DESCRIPTION	YEAR	PRICE
C9AZ-8100-A		- 14 lb. pressure	78-79	7.00 ea.



RADIATOR DRAIN COCKS

PART #	PIC	DESCRIPTION	YEAR	PRICE
8A-8115	(A)	- 1/4" x 18 pipe thread - Straight	78-79	10.00 ea.
8CM-8115-A	(B)	- 90 degree angle	78-79	5.00 ea.



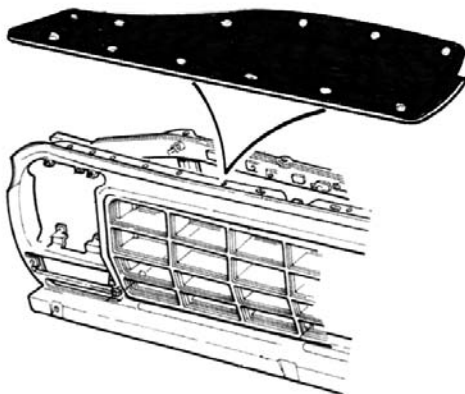
A



B

RADIATOR HEAT SHIELDS

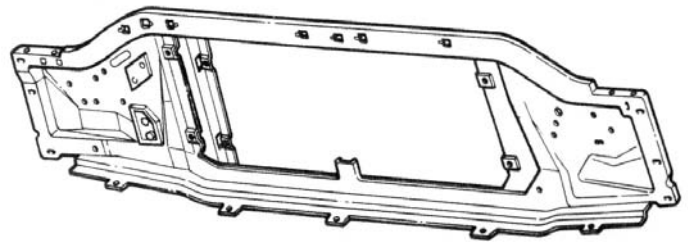
PART #	PIC	DESCRIPTION	MODEL	YEAR	PRICE
		<u>Radiator Support to Grille</u> <u>Heat Shields</u>			
D3TZ-8C122-PR		- w/ Factory Air	Bronco	78-79	20.00 pr.
D8TZ-8C122-PR	(C)	- w/o Factory Air	Bronco	78-79	15.00 pr.



C

RADIATOR CORE SUPPORT

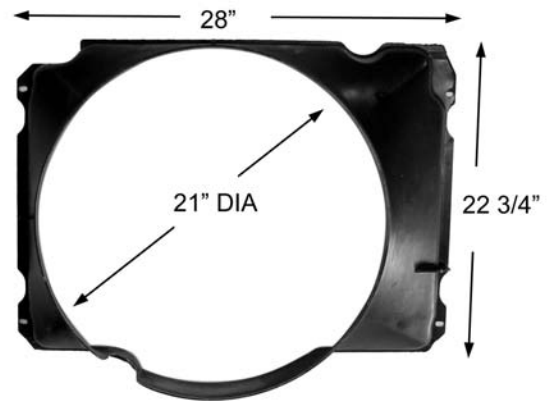
PART #	PIC	DESCRIPTION	YEAR	PRICE
D8TZ-16138-A		22" Opening - Imported	78-79	300.00 ea.



FAN SHROUD

ORDER BY CASTING NUMBER IF POSSIBLE

D7TZ-8146-A	Fan Shroud - I.D. # - D7TA-AA			200.00 ea.
	1978-79	Bronco	(X/C,A/C)	351,400m,V8



FAN SHROUD

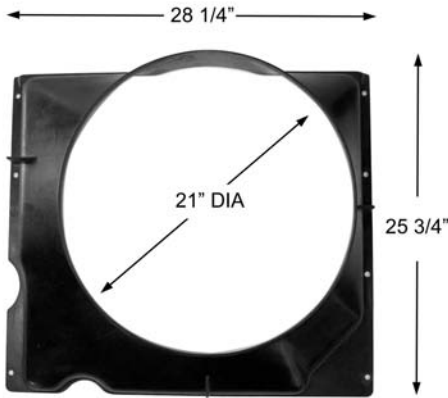
ORDER BY CASTING NUMBER IF POSSIBLE

D7TZ-8146-C	Fan Shroud - I.D. # - D7TA-RA, RB,D8TA-DA			Coming
	1977-79	F100-350	(S/X/S, A/C)	300 6 cyl.

FAN SHROUD

ORDER BY CASTING NUMBER IF POSSIBLE

D7TZ-8146-D	Fan Shroud - I.D. # - D7TA-SA	120.00 ea.
1978-79	Bronco (S/C)	351,400m,V8



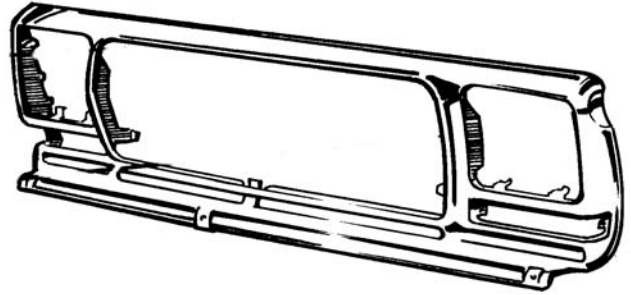
TEMP. CONTROL SWITCH & SENDER

PART #	PIC	DESCRIPTION	YEAR	PRICE
D0ZZ-10884-A	(Q)	Temperature Sender for Motor Block	78-79	14.00 ea.



GRILLE OUTER CHROME SHELL

PART #	PIC	DESCRIPTION	YEAR	PRICE
Grille Outer Chrome Shell does NOT include inserts.				
D8TZ-8200-A		- bright anodized aluminum	78-79	550.00 ea.



GRILLE PLASTIC INSERTS

PART #	PIC	DESCRIPTION	YEAR	PRICE
D8TZ-8150-A		- Bright Argent	78-79	90.00 ea.
D8TZ-8150-C	(D)	- Chrome & Light Argent	78-79	150.00 ea.

We are having problems finding correct type aluminum that works in Original Tooling. Call for availability.



WATER PUMPS

PART #	PIC	DESCRIPTION	YEAR	PRICE
INCLUDES GASKETS				
D6AZ-8501-AN		8 cyl. 351M & 400	78-79	80.00 ea.

THERMOSTATS

PART #	PIC	DESCRIPTION	YEAR	PRICE
GASKETS NOT INCLUDED W/ THERMOSTATS. SOLD SEPARATELY.				
Thermostat 6 & 8 cylinder, 240, 300, 302, 360, 390, 460				
1BA-8575-A	(E)	- 160°	67-79	5.00 ea.
1BA-8575-B		- 180°	67-79	5.00 ea.
D4PZ-8575-A		- 190°	64-79	3.00 ea.

PART #	PIC	DESCRIPTION	YEAR	PRICE
Thermostat Gasket				
C9AZ-8255-A	(F)	240,300,302	78-79	3.00 ea.
C8SZ-8255-A		8 cyl. 351M, 400	78-79	3.00 ea.



GAS TANKS - BRONCO

PART #	PIC	DESCRIPTION	YEAR	PRICE
D8TZ-9002-CX	(A)	- 33 gallon - 22" x 31 1/2" x 15 1/2" - with emission hole	78-79	180.00 ea.
D8TZ-9002-DX	(B)	- 25.5 gallon - 22" x 31 1/2" x 13 - with emission hole	78-79	180.00 ea.

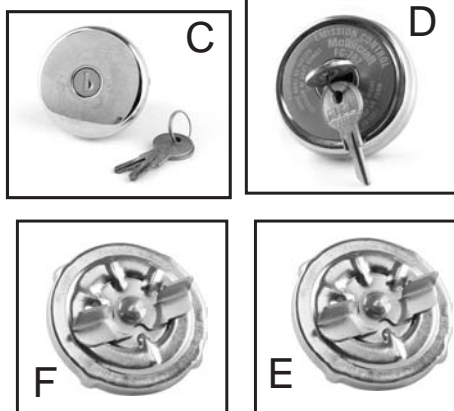


B

A

GAS CAPS

PART #	PIC	DESCRIPTION	YEAR	PRICE
D8TZ-9030-B	(C)	<u>Replacement Gas Cap</u> - Locking Type	78	17.00 ea.
D6AZ-9030-B	(D)	<u>Replacement Gas Cap</u> - Locking Type	79	15.00 ea.
D8TZ-9030-A	(E)	<u>Gas Cap</u>	78	7.00 ea.
D8AZ-9030-A	(F)	<u>Gas Cap</u>	79	6.00 ea.



C

D

F

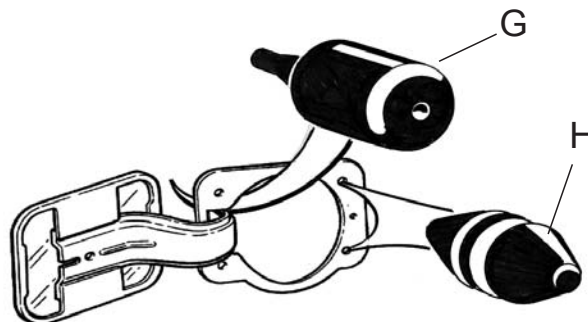
E

GAS TANK SLUSHING COMPOUND

PART #	PIC	DESCRIPTION	PRICE
GTS-9000		<u>Gas Tank Slushing Compound</u> - Prevents rust & seals small leaks	30.00 qt.
GTP-9001		<u>Gas Preservative and Stabilizer</u> - Prevents gum & varnish formations & corrosion. Use when car is not run for long periods of time.	30.00 qt.

GAS TANK DOOR BUMPERS

PART #	PIC	DESCRIPTION	YEAR	PRICE
379366-S	(G)	<u>Gas Filler Door Hinge Bumper</u> - On Door	78-79	4.00 ea.
378437-S	(H)	<u>Gas Filler Door Bumpers</u> - On Body	78-79	5.00 pr.



G

H

GAS TANK FILLER PIPE PARTS

PART #	PIC	DESCRIPTION	YEAR	PRICE
<u>Gas Tank Filler Hose</u> -w/o emissions hole on tank				
D5TZ-9047-A	(I)	- w/ Aft Axle Tank	78	50.00 ea.
D5TZ-9047-D	(J)	- w/ Midship Fuel Tank	78	50.00 ea.
<u>Gas Tank Neck Grommet</u> - For single or dual tanks				
D7TZ-9080-A			78-79	15.00 ea.



I



J

GAS TANK SENDING UNIT

PART #	PIC	DESCRIPTION	YEAR	PRICE
D8TZ-9275-C		<u>Gas Tank Sending Unit</u> - <u>Main Tank</u> (33 gallons) - w/ float & gasket	78-79	70.00 ea.
68-9275-S	(K)	<u>Gas Tank Sending Unit Float</u> - New Solid Design	78-79	5.00 ea.
C0AF-9276-A		<u>Gas Tank Sending Unit to Tank Gasket</u>	78-79	2.00 ea.



K

FUEL PUMP - 6 CYLINDER

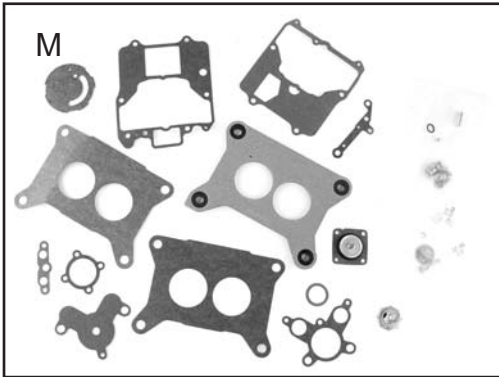
PART #	PIC	DESCRIPTION	YEAR	PRICE
D7TZ-9350-D		- 6 cyl. w/300	78-79	25.00 ea.

FUEL PUMP - 8 CYLINDER

PART #	PIC	DESCRIPTION	MODEL	YEAR	PRICE
D8TZ-9350-B		8 cyl. 351M, 400	Bronco	78-79	40.00 ea.

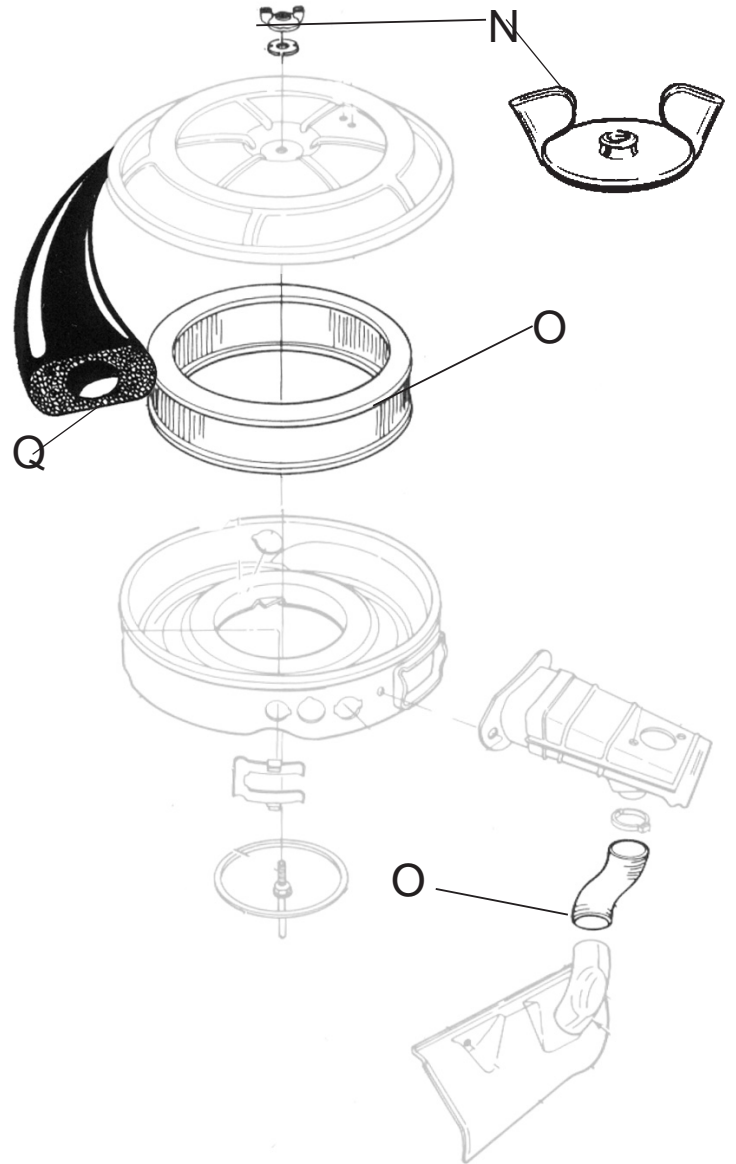
CARBURETOR REPAIR KITS

PART #	PIC	DESCRIPTION	YEAR	PRICE
D0DZ-9A586-B	(L)	- Carter - 6 cyl. 240, 300	78-79	18.00 ea.
D9PZ-9A586-N	(M)	- Ford - 8 cyl. 2-barrel - Model 2150	78-79	24.00 ea.



AIR CLEANER

PART #	PIC	DESCRIPTION	YEAR	PRICE
358871-S	(N)	<u>Air Cleaner Wing Nut</u> - 1/4" x20 thread - Fits: All that use wing nut	78-79	2.00 ea.
D2AZ-9601-A	(O)	<u>Air Cleaner Element</u> - 8 cyl. 351 & 400	78-79	7.50 ea.
C9UZ-9652-A	(P)	<u>Carburetor Air Cleaner Intake Tube -2"</u> I.D.x 18" long	78-79	20.00 ea.
C8AZ-9673	(Q)	<u>Air Cleaner Top Cover Seal</u> - cut to fit	78-79	4.00 ea.

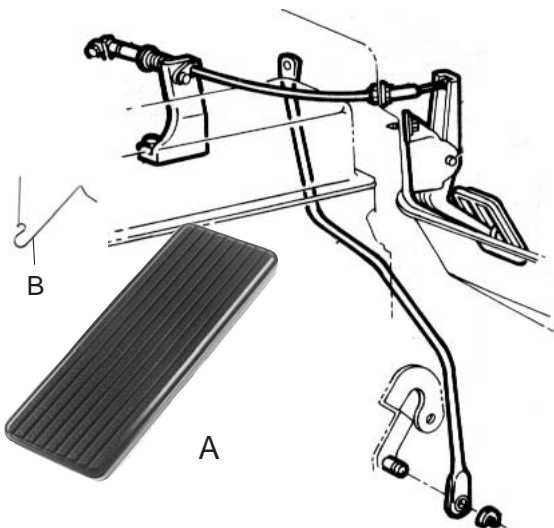


ACCELERATOR CABLES

PART #	PIC	DESCRIPTION	YEAR	PRICE
		<u>Accelerator Pedal to Carb Throttle Cable Assembly</u>		
D7TZ-9A758-A		- w/300 6 cyl. -24" L	78-79	85.00 ea.
D9TZ-9A758-A		- w/302,351M,400M,V8 -13.5" L	79	30.00 ea.

ACCELERATOR PEDAL

PART #	PIC	DESCRIPTION	YEAR	PRICE
C80Z-9735-B	(A)	<u>Accelerator Pedal</u>	78-79	12.50 ea.
D3TZ-9760-C	(B)	<u>Accelerator Pedal to Shaft Spring</u>	78-79	36.00 ea.

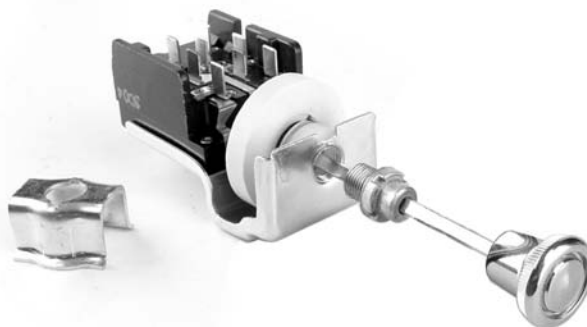


HEADLIGHT SWITCH

PART #	PIC	DESCRIPTION	YEAR	PRICE
D3AZ-11654-A		<u>Headlight Switch</u>	78-79	45.00 ea.
D3TZ-11650-A		<u>Headlight Bezel Nut</u>	78-79	10.00 ea.

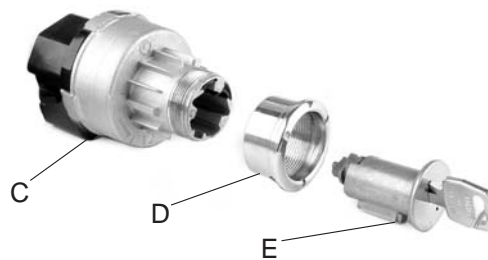
HEADLIGHT SWITCH KNOB & SHAFT

PART #	PIC	DESCRIPTION	YEAR	PRICE
		<u>Headlight Switch Knob & Shaft</u>		
D4FZ-11661-A		- Plastic Knob - Chrome	75-79	15.00 ea.



IGNITION SWITCH

PART #	PIC	DESCRIPTION	YEAR	PRICE
D8TZ-11572-A	(C)	<u>Ignition Switch Housing Assy.</u>	78-79	52.50 ea.
C60Z-11584-A	(D)	<u>Ignition Switch Bezel</u>	78-79	20.00 ea.
C9AZ-11582-A	(E)	<u>Ignition Cylinder & Key Assy.</u> Before Serial # CA0,001	78	20.00 ea.
D8TZ-11582-A		<u>Ignition Cylinder & Key Assy.</u> From Serial # CA0,001	78-79	20.00 ea.

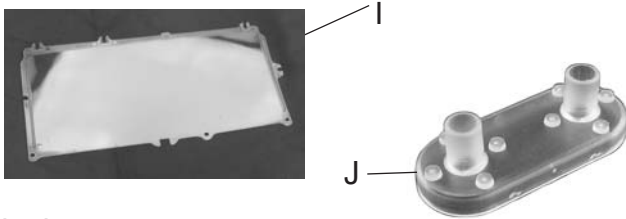


CIGAR LIGHTER PARTS

PART #	PIC	DESCRIPTION	YEAR	PRICE
D3TZ-15055-B		<u>Cigar Lighter Socket & Retainer</u>	78-79	5.00 ea.

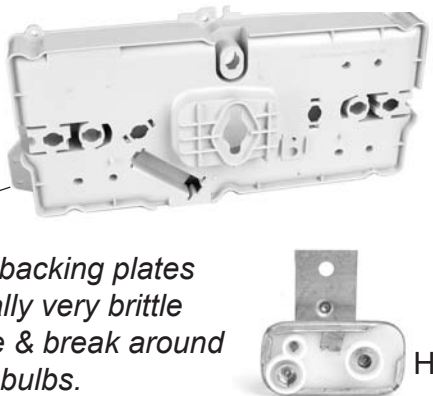
INSTRUMENT CLUSTER PARTS

PART #	PIC	DESCRIPTION	YEAR	PRICE
E1PZ-10848-A	(G)	Instrument Cluster Backing Plate - for Gauges	78-79	67.50 ea.
E1PZ-10848-B	(G)	Instrument Cluster Backing Plate - for warning lights	78-79	67.50 ea.
D4TZ-10848-A	(G)	Instrument Cluster Backing Plate - for warning lights	78-79	67.50 ea.
D1AZ-10804-A	(H)	Instrument Cluster Voltage Regulator - Genuine Ford	78-79	15.00 ea.
D3TZ-10880-A	(I)	Instrument Cluster Lens - Clear Plastic	78-79	25.00 ea.
C9ZZ-10C914-A	(J)	Instrument Guage Insulator - takes (2) or (4)	78-79	5.00 ea.



Original Lens are usually scratched and dull.

Original backing plates are usually very brittle from age & break around the light bulbs.



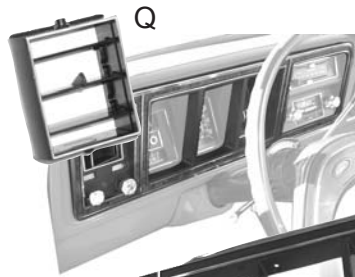
INSTRUMENT PANEL LAMP & BULB

PART #	PIC	DESCRIPTION	YEAR	PRICE
C80Z-13711-A	(K)	Instrument Panel Lamp Socket Assy. - Takes 6	78-79	2.00 ea.
C2AZ-13466-C	(L)	Instrument Panel & Side Marker Bulb - #194	78-79	1.50 ea.

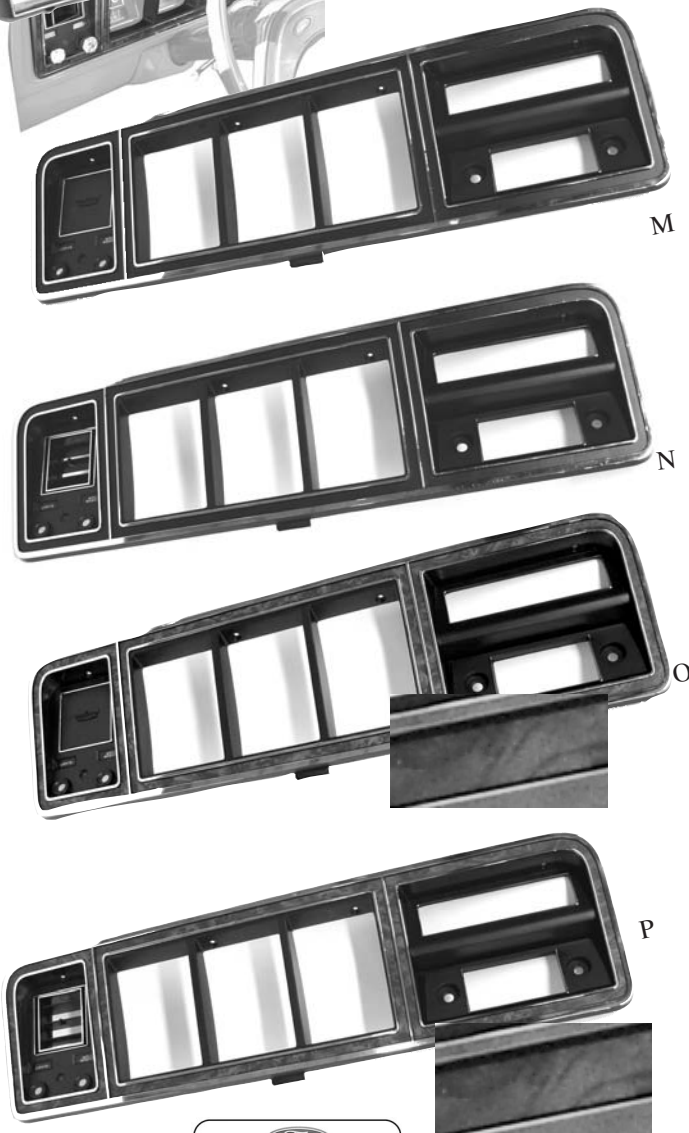


DASH PANEL BEZELS

PART #	PIC	DESCRIPTION	YEAR	PRICE
<u>Dash Panel Bezel Painted Finish</u> GENUINE FORD <u>w/ Radio from 7-5-78</u>				
D8TZ-10044D70-A	(M)	- w/o integral A/C	78-79	100.00 ea.
D8TZ-10044D70-B	(N)	- w/ integral A/C	78-79	120.00 ea.
<u>Dash Panel Bezel w/ Woodgrain Finish</u>				
D8TZ-10044D70-C	(O)	- w/ Radio, w/o A/C	78-79	135.00 ea.
D8TZ-10044D70-D	(P)	- w/ Radio & A/C	78-79	150.00 ea.
D3TZ-19893-C	(Q)	A/C Register - LH - w/ Factory A/C	78-79	35.00 ea.



Compare Our Quality **MADE IN THE U.S.A.**



Classic Parts From **Original Tooling**
Perfect Fit and Finish

ALTERNATOR RELATED PARTS

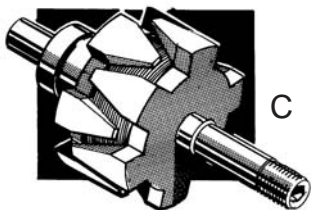
PART #	PIC	DESCRIPTION	YEAR	PRICE
C3SZ-10316-B	(A)	<u>Alternator Regulator</u> - Except Transistorized	78-79	38.00 ea.
D7TZ-10317-C	(B)	<u>Alternator Splash Shield</u> - 3 hole mount on RH Inner Fender	78	17.50 ea.
C5DZ-10335-A	(C)	<u>Alternator Rotor Assy.</u> Fits; Motorcraft alternators 38,40,42,45,55,60,61,65 amp	78	25.00 ea.



B



A



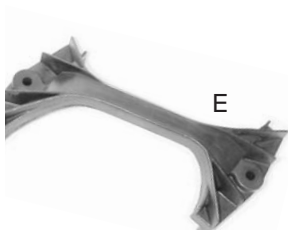
C

BATTERY TRAY PARTS

PART #	PIC	DESCRIPTION	YEAR	PRICE
D7AZ-10756-A	(D)	<u>Battery Tray Hold Down Bolt</u> - (2) per truck	78-79	5.00 ea.
D4MY-10718-A	(E)	<u>Battery Hold Down Clamp</u> - Black Plastic	78-79	12.50 ea.



D



E

STARTER SOLENOID & TEMP. SENDING UNIT

PART #	PIC	DESCRIPTION	YEAR	PRICE
B6A-11450-A		<u>Starter Solenoid</u> Before Serial # BE0,001 - Aftermarket	78-79	14.00 ea.
B6AZ-11450-A	(F)	- Genuine Ford - Motorcraft	78-79	25.00 ea.



F

DISTRIBUTOR - 8 CYL. - 74-79 - 302,351,360,390,400,460

PART #	PIC	DESCRIPTION	YEAR	PRICE
WITH TRANSISTORIZED IGNITION				
D7AZ-12200-A		<u>Ignition Rotor</u> - 8 cylinder	78-79	2.50 ea.
D7AZ-12106-A		<u>Distributor Cap</u> - Blue - 8 cylinder	78-79	15.00 ea.

TURN SIGNAL PARTS

PART #	PIC	DESCRIPTION	YEAR	PRICE
D3TZ-13305-B	(G)	<u>Turn Signal Lever</u> - w/ Black Knob - Replacement	78-79	20.00 ea.
C7TZ-13318-A	(H)	<u>Turn Signal Canceling Cam</u> - Metal	78-79	10.00 ea.
C6AZ-13350-B	(I)	<u>Turn Signal Flasher</u> - w/ standard equipment	78-79	7.00 ea.



G



H



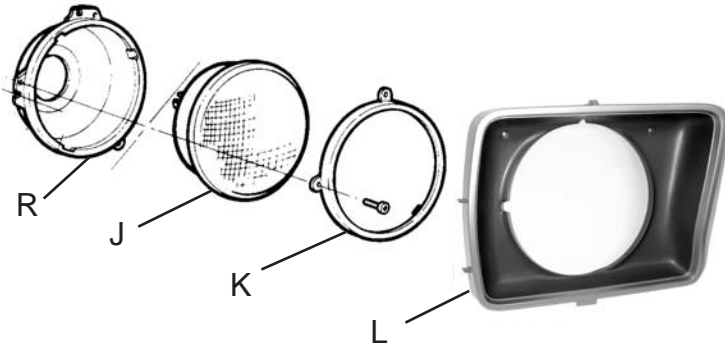
I

TURN SIGNAL SWITCH

PART #	PIC	DESCRIPTION	YEAR	PRICE
D8TZ-13341-B		- AT - fixed steering column	78-79	125.00 ea.

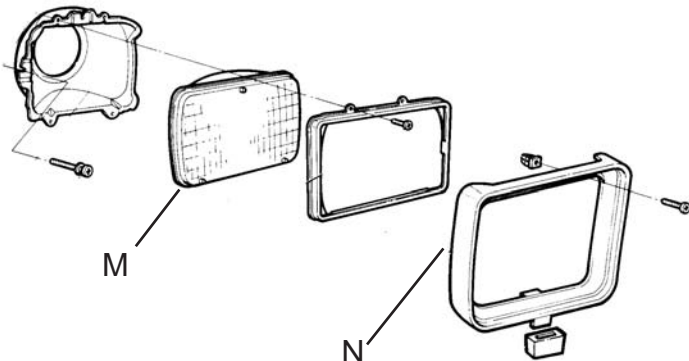
HEADLIGHT - ROUND TYPE - 78

PART #	PIC	DESCRIPTION	YEAR	PRICE
B6A-13007	(J)	Headlight Bulb - 12 Volt	78	7.00 ea.
D8TZ-13008-A	(R)	Headlight Bucket - Round - RH	78-79	50.00 ea.
01A-13018-C	(K)	Stainless Bulb Retainer Ring	78	10.00 ea.
D8TZ-13064-A	(L)	Headlight Door - Argent - RH	1978	35.00 ea.
D8TZ-13064-B		- LH	1978	35.00 ea.



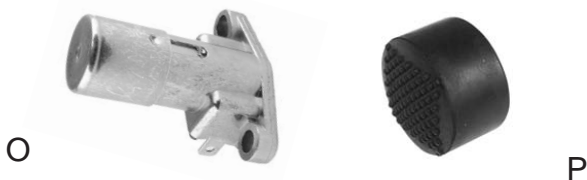
HEADLIGHT - RECTANGULAR TYPE 78-79

PART #	PIC	DESCRIPTION	YEAR	PRICE
D8BZ-13007	(M)	Headlight Bulb - 12 Volt	78-79	12.00 ea.
D8TZ-13064-C	(N)	Headlight Door - Argent - RH	78-79	35.00 ea.
D8TZ-13064-D		- LH	78-79	35.00 ea.
D8TZ-13064-E	(N)	Headlight Door - Chrome - RH	78-79	35.00 ea.
D8TZ-13064-F		- LH	78-79	35.00 ea.



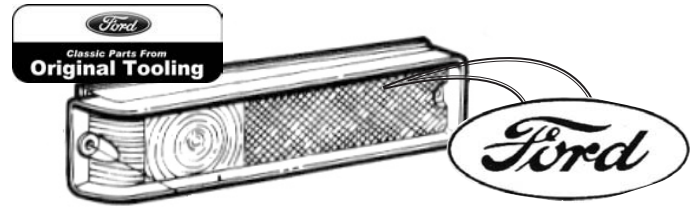
HEADLIGHT DIMMER SWITCH

PART #	PIC	DESCRIPTION	YEAR	PRICE
B9A-13532-A	(O)	Headlight Dimmer Switch	78-79	11.00 ea.
C5ZZ-13533	(P)	Headlight Dimmer Swith Rubber Cover	ALL	4.00 ea.



PARK LIGHT LENS ASSEMBLY - 78-79

PART #	PIC	DESCRIPTION	YEAR	PRICE
D8TZ-13200-A		- RH	78-79	50.00 ea.
D8TZ-13201-A		- LH	78-79	50.00 ea.



SOCKET & WIRING - PARK/TAILLIGHT

PART #	PIC	DESCRIPTION	YEAR	PRICE
D1FZ-13234-A		Socket & Wiring - Plastic - For Parking Lights & Taillights	78-79	8.00 ea.



TAILLIGHT LENS RIMS - QUARTER PANEL

PART #	PIC	DESCRIPTION	YEAR	PRICE
D3TZ-99279A66-A		Taillight Rims - RH	78-79	75.00 ea.
D3TZ-99279A67-A		- LH	78-79	75.00 ea.

TAILLIGHT ASSEMBLY

PART #	PIC	DESCRIPTION	YEAR	PRICE
Rectangular w/ backup light & gasket.				
D5UZ-13404-A	(Q)	Taillight Assembly - RH - w/o wiring	78-79	25.00 ea.
D5UZ-13405-A		- LH - w/o wiring	78-79	25.00 ea.



LICENSE PLATE LIGHT ASSEMBLY

PART #	PIC	DESCRIPTION	YEAR	PRICE
D0TZ-13550-R	(A)	Rear License Plate Lamp Assembly - Style-Side - Takes 2 - Before Serial # R40,001 - Replacement	78-79	12.50 ea.
D3TZ-13550-A	(B)	Rear License Plate Lamp Assembly - Style-Side - Takes (2) - Exact of Original	78-79	42.50 ea.
D3AZ-13564-A	(C)	License Plate Light Cover - Fits Contoured Bumper	78-79	12.50 ea.



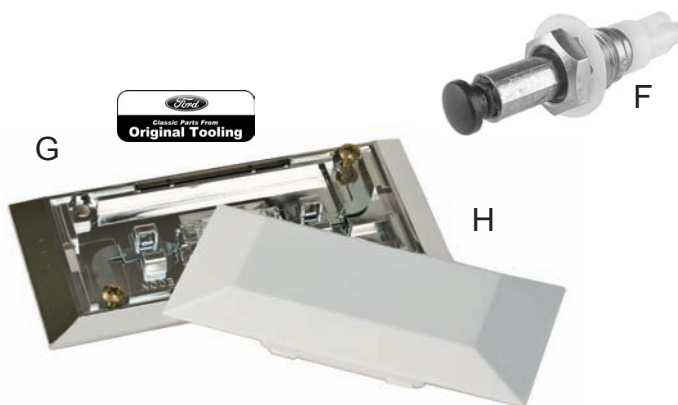
SIDE MARKER LIGHTS

PART #	PIC	DESCRIPTION	YEAR	PRICE
D3TZ-15A201-A		Front Fender Side - RH or LH - Amber	73-79 78-79	17.50 ea.
D3TZ-15A201-B	(D)	Rear Quarter Side - Style Side - Red - RH or LH	78-79	17.50 ea.
D3TZ-15A447-A		Gasket - Front & Rear - Set of 4	78-79	10.00 set
D0DZ-15A434-B	(E)	Socket & Wiring - Plastic - For Side Marker Lamps - Front & Rear	78-79	4.00 ea.



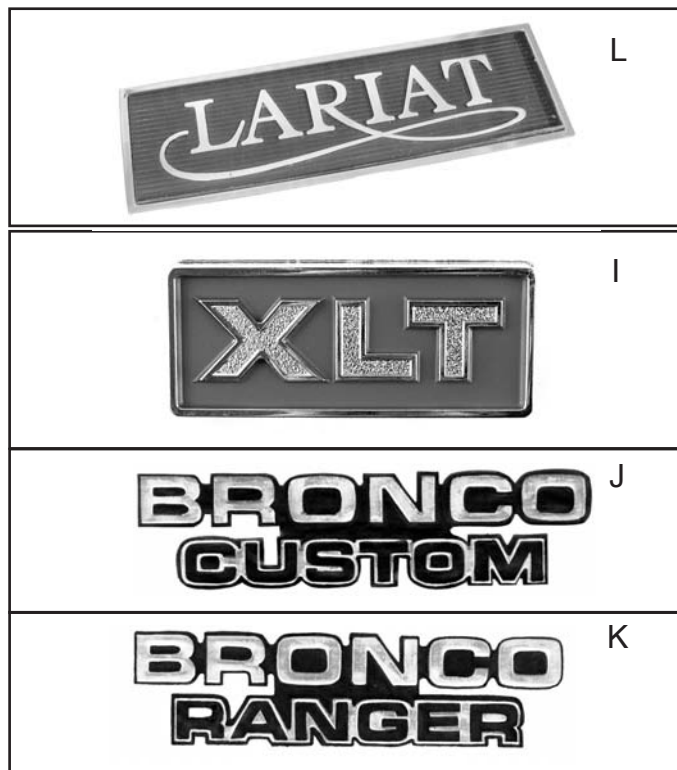
DOME LIGHT PARTS - 1978-79

PART #	PIC	DESCRIPTION	YEAR	PRICE
D3TZ-13713-A	(F)	Dome Light Switch - Right or Left Door	78-79	12.00 ea.
D1AZ-13788-A	(G)	Dome Light Lens Bezel - Chrome Finish	78-79	20.00 ea.
D1AZ-13783-B	(H)	Dome Light Lens	78-79	10.00 ea.



NAME PLATE - BRONCO

PART #	PIC	DESCRIPTION	YEAR	PRICE
- Includes Mounting Hardware				
D7TZ-16720-BD	(I)	Cowl Side Name Plate - "XLT"	78-79	30.00 ea.
D8TZ-16720-A	(J)	- "Bronco Custom"	78-79	35.00 ea.
D8TZ-16720-B	(K)	- "Bronco Ranger"	78-79	35.00 ea.
D8TZ-16720-C	(L)	- Lariat - Chrome Plastic - w/red background	78-79	30.00 ea.



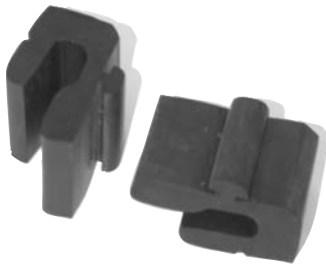
HOOD

PART #	PIC	DESCRIPTION	YEAR	PRICE
Please note there is a \$75 crating fee for this item.				
D8TZ-16612-A		- Genuine Ford LIMITED SUPPLY!	78-79	450.00 ea.



HOOD BUMPERS

PART #	PIC	DESCRIPTION	YEAR	PRICE
D6TZ-16758-A		Hood Side Hood Bumpers - Set of (4)	78-79	8.00 set



COWL LACING

PART #	PIC	DESCRIPTION	YEAR	PRICE
D7TZ-16740-A		Firewall to Hood Seal - Mounting clips installed	78-79	17.50 ea.

HOOD LETTERS "FORD"

PART #	PIC	DESCRIPTION	YEAR	PRICE
Hood Letters Include Fasteners				
D9TZ-16606-K		F.O.R.D. Letters - Front of Hood	78-79	50.00 set



HOOD HINGE

PART #	PIC	DESCRIPTION	YEAR	PRICE
D3TZ-16796-A		Hood Hinge w/ Spring - Imported - RH	78-79	100.00 ea.
D3TZ-16797-A	(M)	- Original Ford - LH	78-79	100.00 ea.
D3TZ-16789-A	(N)	Hood Hinge Spring - 2 per truck	73-79 78-79	25.00 ea.



HOOD LATCH / LOCK

PART #	PIC	DESCRIPTION	YEAR	PRICE
D5UZ-16700-A	(O)	Hood Latch Assembly - w/o key operated lock	78-79	65.00 ea.
D3TZ-16C644-A	(P)	Hood Latch Spring	78-79	8.00 ea.



HOOD ORNAMENTS - ACCESSORY

PART #	PIC	DESCRIPTION	YEAR	PRICE
D3TB-16850-N		- Accessory - w/ hardware	78-79	70.00 ea.



Compare Our Quality
MADE EXACTLY LIKE ORIGINAL

FRONT FENDERS

PART #	PIC	DESCRIPTION	YEAR	PRICE
D9TZ-16005-A	(A)	<u>Front Fender - Genuine Ford</u>	78-79	300.00 ea.
D9TZ-16006-A		- RH	78-79	400.00 ea.
		- LH		
D9TZ-16005-R		<u>Front Fender - Imported</u>	78-79	150.00 ea.
D9TZ-16006-R		- RH	78-79	150.00 ea.
		- LH		



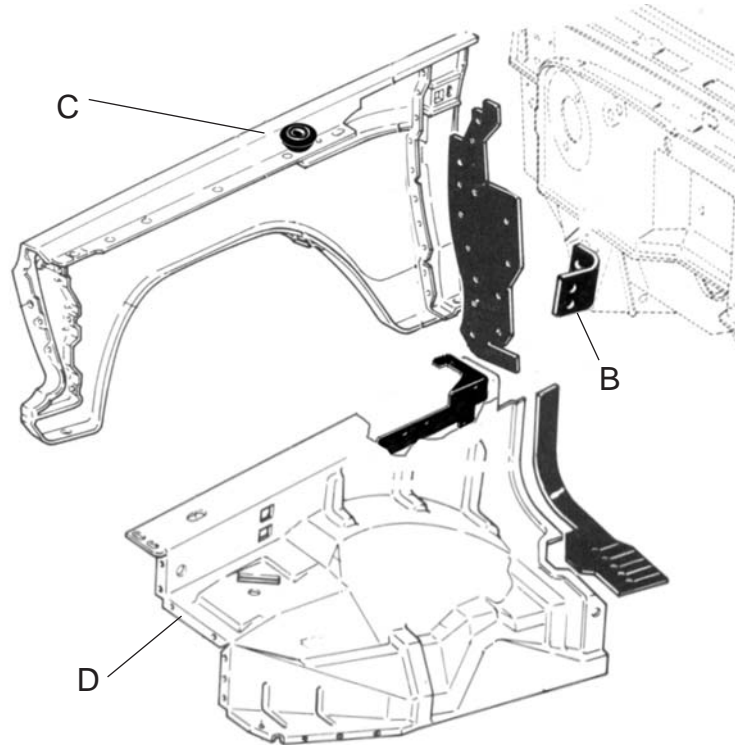
FRONT FENDER SPLASH SHIELD

PART #	PIC	DESCRIPTION	MODEL	YEAR	PRICE
D6TZ-16102-A		<u>Front Fender Splash Shield</u>	F100-350	76-79	150.00 ea.
		- RH - Plastic			
		LIMITED SUPPLY!			



FRONT INNER FENDER & SEALS-78-79

PART #	PIC	DESCRIPTION	YEAR	PRICE
C7TZ-16A054-PR	(B)	<u>Front Fender Apron to Firewall Panel Strip</u>	78-79	12.00 pr.
376966-S	(C)	<u>Front Fender Rear On Top Rubber Plug</u>	78-79	5.00 pr.
		- 5/8" O.D.		
D5TZ-16054-B	(D)	<u>Metal Inner Fender Panel</u>	78-79	125.00 ea.
D5TZ-16055-B		- Imported - RH	78-79	125.00 ea.
		- Imported - LH		

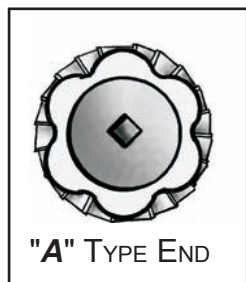
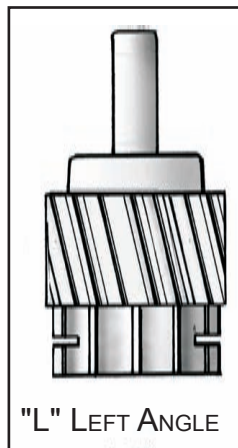
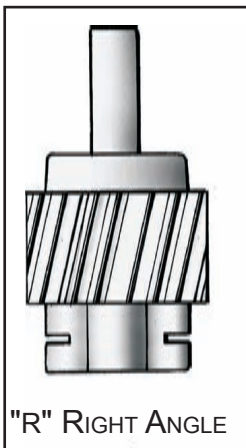


SPEEDOMETER DRIVEN GEAR

PART #	DESCRIPTION	END	ANGLE	PRICE
- 3 speed & automatic transmisson				
C0DZ-17271-A	- 16 teeth	A	R	10.00 ea.
C3DZ-17271-C	- 17 teeth	B	L	10.00 ea.
C0DD-17271-B	- 18 teeth	A	R	10.00 ea.
C7VY-17271-A	- 19 teeth	A	R	10.00 ea.
C1DZ-17271-A	- 20 teeth	A	R	10.00 ea.
C40Z-17271-A	- 21 teeth	A	R	10.00 ea.
- 4 speed transmisson				
C2DZ-17271-J	- 16 teeth	B	R	10.00 ea.
C7SZ-17271-A	- 17 teeth	A	L	10.00 ea.
C2DZ-17271-K	- 18 teeth	B	L	10.00 ea.
C4DZ-17271-A	- 19 teeth	B	L	10.00 ea.
C2DZ-17271-H	- 20 teeth	B	L	10.00 ea.
E0TZ-17271-A	- 21 teeth	A	R	10.00 ea.

NOTE:

Please check diagram below to make sure
gear angle and end
match the gear you are replacing.



SPEEDOMETER CABLE PARTS

PART #	PIC	DESCRIPTION	MODEL	YEAR	PRICE
B5A-19581-A	(E)	Speedometer Cable Lube - Comes in tube		All	6.00 ea.
C9MY-17303-A	(F)	Speedometer Cable Rubber Seal at Trans.	F100-350 Bronco	78-79	5.00 ea.



SPEEDOMETER DRIVE GEAR - TRANS.

PART #	PIC	DESCRIPTION	YEAR	PRICE
D7TZ-17285-A	(G)	Speedometer Drive Gear in Trans. - 9 teeth - w/ 3 speed manual trans. - w/ 2.72 gear ratio	78-79	12.00 ea.
D8TZ-17285-A		Speedometer Drive Gear in Trans. - 6 teeth - w/ 4 Speed manual trans.	78-79	20.00 ea.



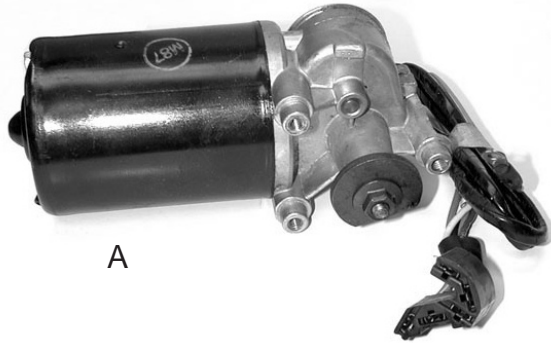
SPEEDOMETER DRIVEN GEAR CLIP

PART #	PIC	DESCRIPTION	YEAR	PRICE
C1DZ-17292-A		Speedometer Driven Gear Retainer Clip	73-79	1.00 ea.



WIPER MOTOR

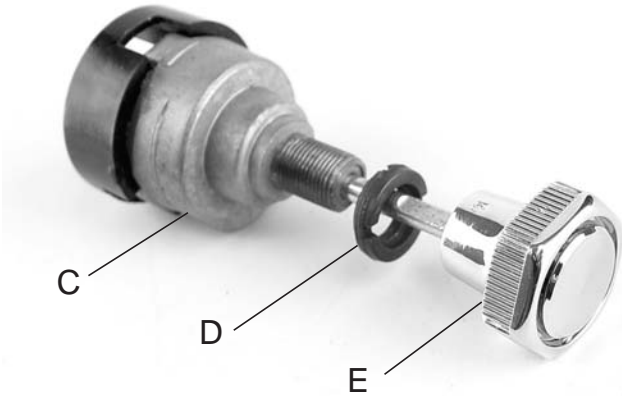
PART #	PIC	DESCRIPTION	MODEL	YEAR	PRICE
C7TZ-17508-D	(A)	Windshield Wiper Motor - 2-speed	F100-500 Bronco	67-79 78-79	230.00 ea.



A

WIPER SWITCH

PART #	PIC	DESCRIPTION	YEAR	PRICE
		Windshield Wiper & Washer Switch - for 2-spd Electric Motor - w/o intermittent wipers	78-79	80.00 ea.
D00Z-17A553-A	(C)			
	(D)	Windshield Wiper Switch Control Nut		
D3TZ-17512-A		- Regular	78-79	8.00 ea.
D7TZ-17512-A		- Chrome	78-79	8.00 ea.
D30Z-17513-B	(E)	Wiper Switch Knob	78-79	10.00 ea.



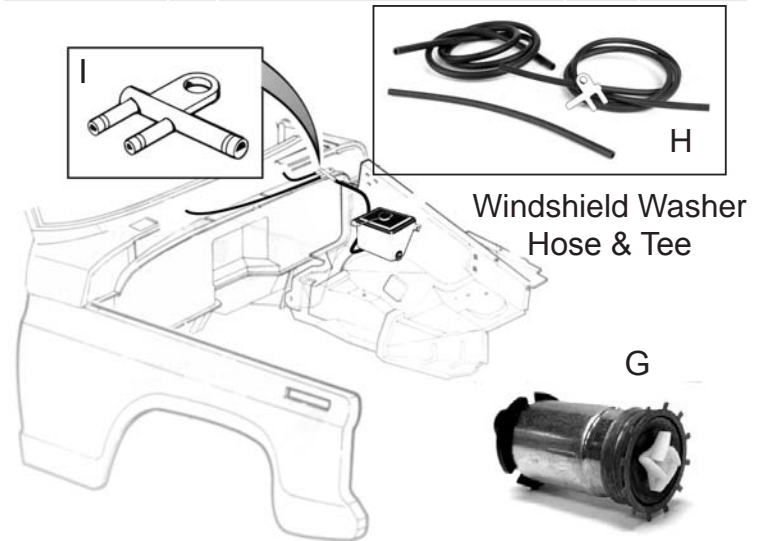
C

D

E

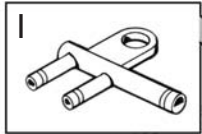
WINDSHIELD WASHER PARTS

PART #	PIC	DESCRIPTION	YEAR	PRICE
D1TZ-17618-B	(F)	Windshield Washer Reservoir & Cap - except power pack	78-79	37.50 ea.
C9AZ-17664-A	(G)	Windshield Washer Pump	78-79	15.00 ea.
C7TZ-17543-KIT	(H)	Windshield Washer Hose & Tee Kit Includes: I-tee & 3-pieces of Hose	78-79	8.00 kit
C7SZ-17A601-A	(I)	Windshield Washer Hose Plastic Tee	78-79	3.00 ea.



Windshield Washer
Hose & Tee

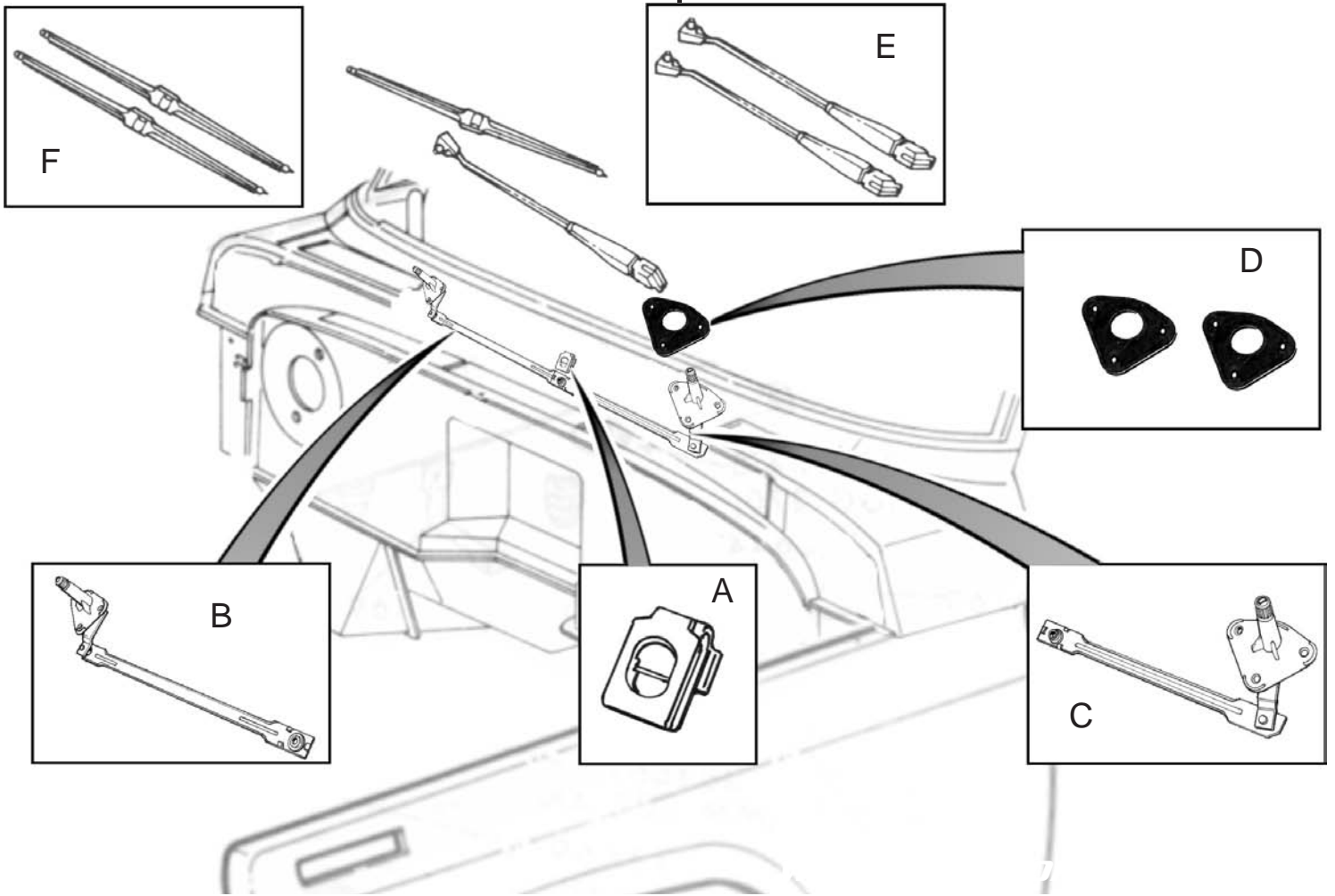
G



H



F



WIPER PIVOT PARTS

PART #	PIC	DESCRIPTION	YEAR	PRICE
C5ZZ-17531-A	(A)	Windshield Wiper Arm Clip - goes under dash to motor	78-79	2.00 ea.
		Windshield Wiper Pivot & Arm Assembly		
D9TZ-17566-A	(B)	- RH	78-79	85.00 ea.
D9TZ-17567-A	(C)	- LH	78-79	85.00 ea.
D3TZ-17A475-A	(D)	Windshield Wiper Gasket - Set of 4	78-79	10.00 set



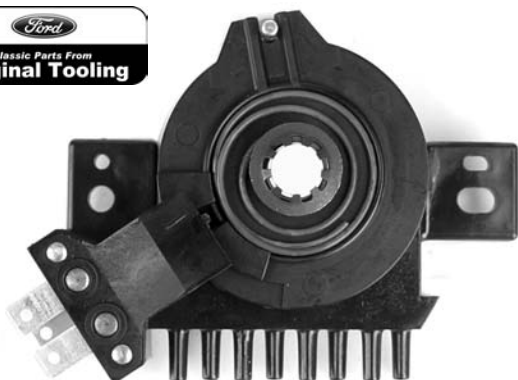
WIPER ARM & BLADES

PART #	PIC	DESCRIPTION	YEAR	PRICE
C7TZ-17526-B	(E)	Windshield Wiper Arm - Replacement by Trico	78-79	25.00 ea.
C3AZ-17528-J	(F)	Windshield Wiper Blade - Silver - Stainless Steel - by Trico	78-79	15.00 ea.
C3AZ-17528-R		Wiper Blade Rubber Only - Replacement for 15" blades - All	78-79	15.00 pr.



A/C PARTS DOOR DAMPER SWITCH

PART #	PIC	DESCRIPTION	YEAR	PRICE
D5TZ-19B888-A		<u>Vacuum Switch Valve</u> for Heater and A/C - w/ Deluxe Heater - 2 contacts	78-79	75.00 ea.



If you have a vacuum air leak under your dash, this is usually the problem.

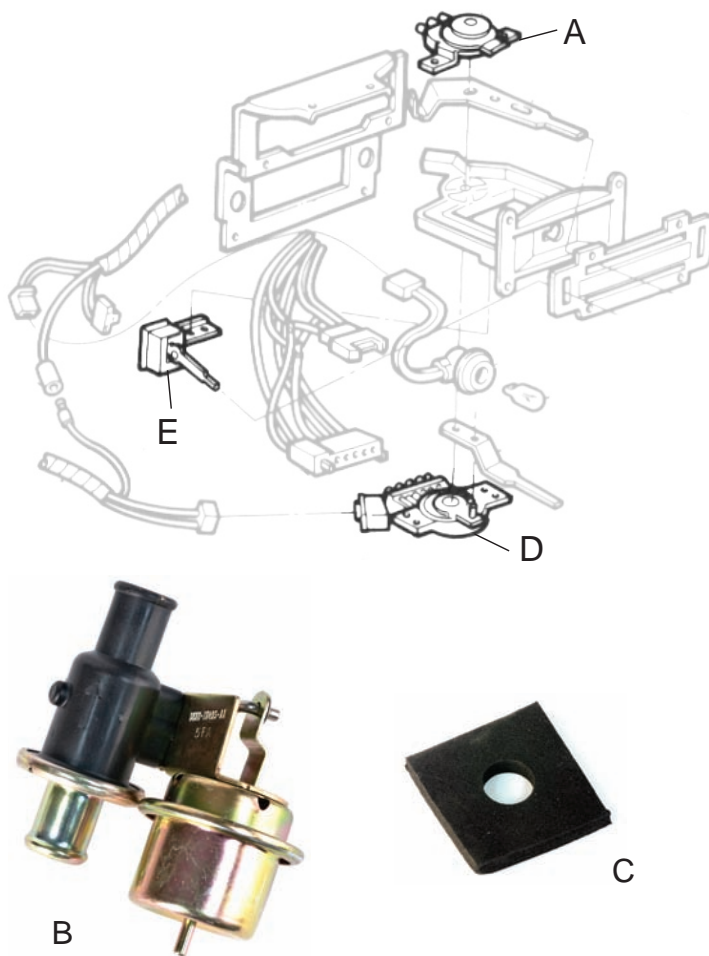
AIR CONDITIONER TAG & SWITCH

PART #	PIC	DESCRIPTION	YEAR	PRICE
C8SZ-2979-A		<u>A/C Compressor Switch</u> & Bracket	78-79	35.00 ea.



HEATER & A/C PARTS - 1973-79

PART #	PIC	DESCRIPTION	YEAR	PRICE
D8TZ-18502-A	(A)	<u>A/C & Heater Temp.</u> <u>Regulator Valve</u>	78-79	50.00 ea.
D4AZ-18495-A	(B)	<u>Heater Water Control Valve</u> - From Serial #U40,001	74-79	21.50 ea.
8C-18595	(C)	<u>Heater Tube to Firewall Seal</u>	67-79	2.00 ea.
D8TZ-19B888-A	(D)	<u>Vacuum Switch Valve for Heater and</u> <u>A/C</u> - w/ Deluxe Heater - 1 contact	78-79	50.00 ea.
D3AZ-19986-A	(E)	<u>Heater & Integral Air Conditioner Blower</u> <u>Switch</u> - Before Serial # CA0,001	78	20.00 ea.
D5AZ-19986-A		- From Serial # CA0,001	78-79	29.00 ea.



HEATER CABLES

PART #	PIC	DESCRIPTION	YEAR	PRICE
D3TZ-18518-A	(F)	A/C Temperature Cable - w/ Factory A/C	73-79	20.00 ea.
D3TZ-18518-B		Heater Temperature Cable - For w/o Factory A/C	73-79	20.00 ea.
D3TZ-18552-A		Heater On/Off Controll Cable	73-79	17.00 ea.



HEATER HOSE

PART #	PIC	DESCRIPTION	YEAR	PRICE
Heater Hose is Black. It is sold by the foot and NON-RETURNABLE.				
APA-18472-A		Heater Hose - 5/8" I. D.	All	2.00 ft.

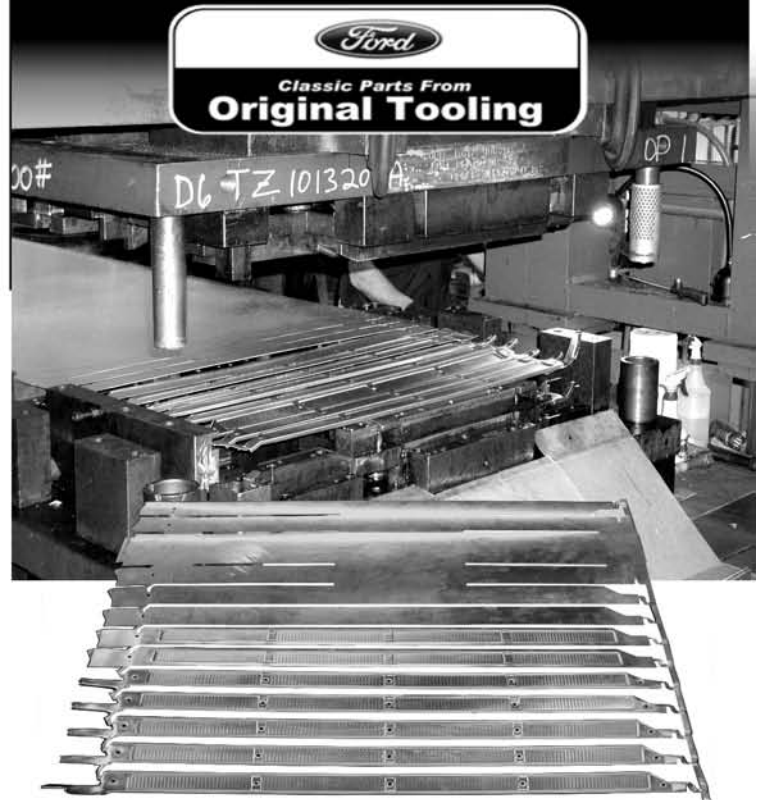
HEATER HOSE CLAMPS & PARTS

PART #	PIC	DESCRIPTION	YEAR	PRICE
D4TZ-18599-C	(G)	Hot Water Heater & Air Conditioner Connector Tee - "T" shape - (1) 1/4" hose connection - (2) 5/8" hose connections - Fits: 8 cyl. 302 F100 California vehicle	78-79	14.00 ea.
BPA-18572	(H)	Heater Hose Clamp - 5/8"	ALL	1.00 ea.



**Ford used it
now we use it.**

Dennis Carpenter reintroduces 1973-79 F100 door scuff plates made from the original Ford tooling.



What's Carpenter using?

The picture above shows the results of our scuff plate progressive dies which perform 10 forming operations simultaneously during one stamping cycle. When the dies (mounted in a hydraulic press) are opened, a completed scuff plate is ejected as the sheet aluminum advances forward 1 scuff plate width. Then the dies are hydraulically closed to repeat the stamping cycle again. The use of progressive dies in manufacturing is very efficient since all of the stamping operations are performed at once using only one hydraulic press. The stamping dies Dennis Carpenter uses to produce our F100 scuff plates are the very same dies once used by Ford to make their scuff plates. This means that our 1973-79 F100 scuff plates are the most accurately reproduced, best fitting scuff plate available on the planet.



*Restore your F100 with Quality
Dennis Carpenter parts.*

FIREWALL RELATED PARTS

PART #	PIC	DESCRIPTION	YEAR	PRICE
C8ZZ-6501691-A	(A)	Firewall Insulator Retainer - need six per truck	78-79	3.00 ea.



A

BODY RUBBER PLUGS

PART #	PIC	DESCRIPTION	YEAR	PRICE
376966-S	(B)	Firewall Rubber Grommets - 5/8" O.D. - 1 on each side of firewall	78-79	5.00 pr.
377977-S	(C)	Door Lock Pillar Rubber Grommet - 27/32" I.D. 1 on each lock pillar	78-79	3.00 pr.



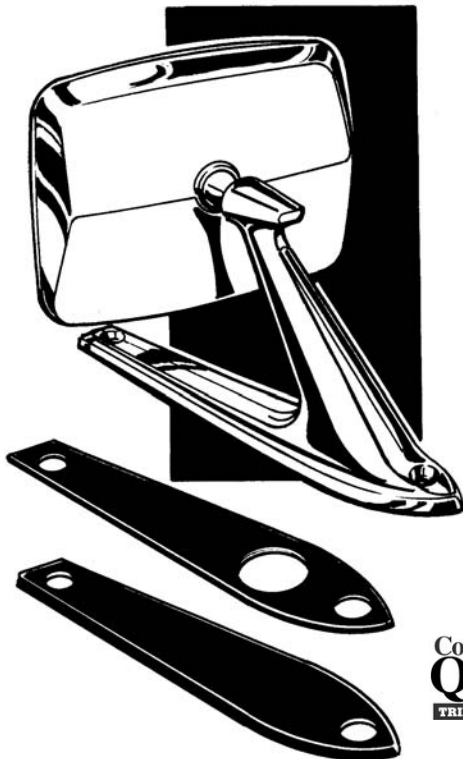
B



C

REAR VIEW MIRROR - OUTSIDE

PART #	PIC	DESCRIPTION	YEAR	PRICE
C7TZ-17696-M		Outside of Door Rear View Mirror - Rectangular Head - Mfg. USA - Fits RH or LH w/ Pads & Screws	78-79	70.00 ea.



Quality
Assured
Parts

Made in USA

Compare Our
Quality 
TRIPLE CHROME, LASTS LONGER

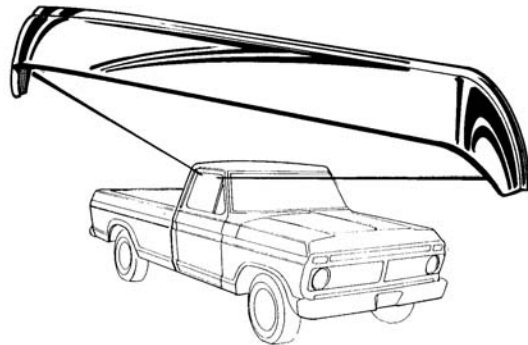
REAR VIEW MIRROR - INSIDE

PART #	PIC	DESCRIPTION	YEAR	PRICE
D0AZ-17700-A		Inside Rear View Mirror On windshield - Day/Night	78-86	60.00 ea.



WINDOW VENT SHADES

PART #	PIC	DESCRIPTION	YEAR	PRICE
D3TZ-18246		- Chrome	78-79	40.00 pr.



EXHAUST DEFLECTORS

PART #	PIC	DESCRIPTION	MODEL	YEAR	PRICE
		<u>Exhaust Deflector</u> - Stainless Steel			
51A-18529-A	(D)	- Ford Script		ALL	16.00 ea.
51A-18529-B	(E)	- V-8		ALL	16.00 ea.
51A-18529-P		- Plain		ALL	15.00 ea.

QUALITY
High Grade Polished Stainless Steel
Will not rust, Lasts Forever



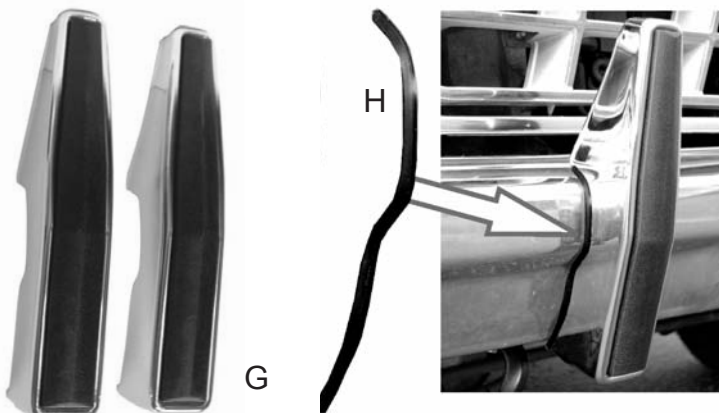
FRONT BUMPER

PART #	PIC	DESCRIPTION	YEAR	PRICE
D8TZ-17757-A		<u>Chrome Front Bumper</u> - w/o horizontal pads - before serial #AG0,001 - Imported - No License Plate Holes - No Brackets, No Bolts	78-79	250.00 ea.
B9A-17758	(F)	<u>Bumper Bolt - Front</u> - w/o guards - (4) per bumper - 7/16" x 14 x 1 3/4"	78-79	3.00 ea.



FRONT BUMPER GUARD

PART #	PIC	DESCRIPTION	YEAR	PRICE
D8TZ-17A812-A		<u>Front Bumper Guard Pad</u> - For original guards only	78-79	15.00 ea.
D8TZ-17984-A	(G)	<u>Front Bumper Guard Kit</u> Exact of original - w/ pads	78-79	120.00 pr.
C4TZ-17997-SET	(H)	<u>Front Bumper Guard Edge to Bumper Pads</u> - set of (4)	78-86	8.00 set



REAR BUMPER - STYLE SIDE

PART #	PIC	DESCRIPTION	YEAR	PRICE
D3TZ-17906-A	(I)	<u>Rear Bumper - Style Side Bed</u>	78-79	200.00 ea.
D3TZ-13550-A	(J)	<u>Rear License Plate Lamp Assembly - Style-Side</u> - takes (2)	73-79	42.50 ea.



REAR BUMPER BOLTS

PART #	PIC	DESCRIPTION	YEAR	PRICE
BB-17758-A	(K)	<u>Rear Bumper Bolt w/ Nut & Washer</u> - Steel w/ Polished Stainless Cap	78-79	5.00 ea.
BB-17758-SS	(L)	<u>Rear Bumper Bolt w/ Nut & Washer</u> - Solid Stainless Steel w/ Polished Head	78-79	5.00 ea.



RADIO ANTENNA

PART #	PIC	DESCRIPTION	YEAR	PRICE
D3TZ-18813-A		Radio Antenna - Tear Drop Shaped - w/ template, mounting hardware & instructions	73-79	75.00 ea.
C7TZ-18898-A D3TZ-18898-AA		Antenna Base Pad - Included w/ Antenna - Included w/ Assembly	67-72 73-79	8.00 ea. 8.00 ea.
D6TZ-18813-A		Radio Antenna Replacement - w/ Round Mast	73-77	50.00 ea.
376118-S		Antenna Cable Clips - under glove box - takes 3 - Included w/ Assembly	67-79	1.00 ea.

Featuring

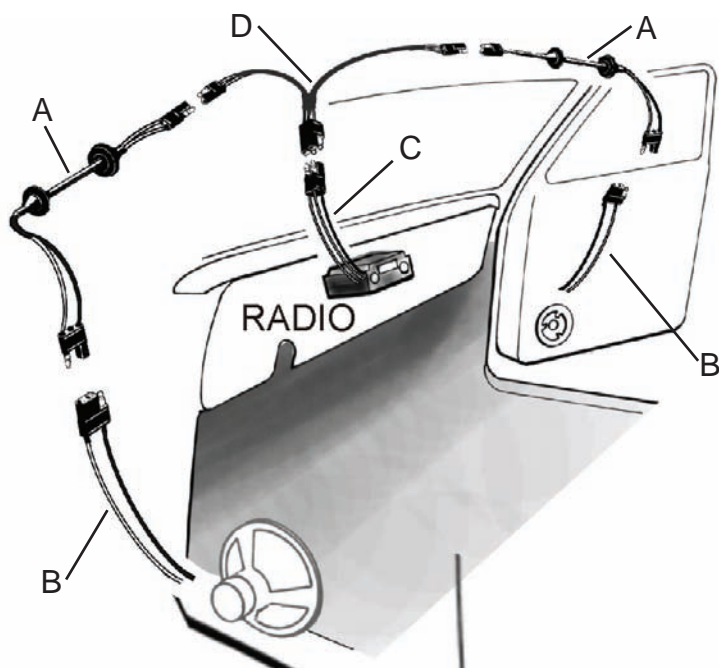


AIR FOIL SHAPED
Ariel Cross Section

Made Exactly Like The Originals

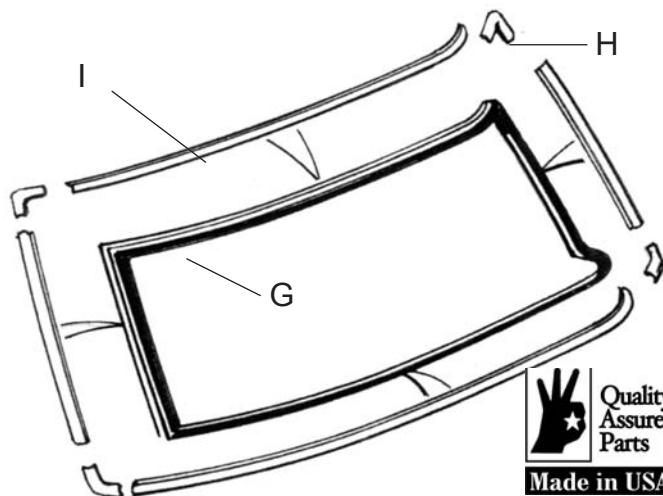
RADIO SPEAKER WIRE - 78-79

PART #	PIC	DESCRIPTION	PRICE
D3TZ-19A123-A	(A)	Wire that crosses over door jamb from dash board to door	20.00 ea.
D3TB-18808-W	(B)	Wire the connects door jamb crossover to speaker - solder to speakers	15.00 ea.
D3TB-18806-SP	(C)	Wire from Radio to Wire Terminal that connects Left & Right Speaker Wire	15.00 ea.
D3TB-19A041-AA	(D)	Wire that connect Left & Right Door Jamb Crossover Wires to Radio Terminal	45.00 ea.



WINDSHIELD RUBBER SEAL

PART #	PIC	DESCRIPTION	YEAR	PRICE
D3TZ-1003110-F	(G)	- w/o Groove for Chrome	78-79	110.00 ea.
D7TZ-1003110-B	(G)	- w/ Groove for Narrow Flexible Plastic Chrome	78-79	110.00 ea.



Quality Assured Parts
Made in USA

This cross-sections of the rubber windshield seals show the difference between the seals with groove for moulding and without.

with groove



without groove



DENNIS CARPENTER
Weather Stripping

Fits Right and Lasts Longer

WINDSHIELD CHROME MOULDINGS

PART #	PIC	DESCRIPTION	YEAR	PRICE
D7TZ-10030A42-B	(H)	Upper Windshield Corner Moulding	78-79	7.50 pr.
D7TZ-1003122-B		Lower Windshield Corner Moulding	78-79	7.50 pr.
D7TZ-8103136-SET	(I)	Windshield Chrome Plastic Moulding Set From Serial # 080,001 Includes: - 7 pcs. (3) D7TZ-1003148-A (2) D7TZ-10030A42-B (2) D7TZ-1003122-B	78-79	45.00 set

DASH PADS

PART #	PIC	DESCRIPTION	YEAR	PRICE
D3TZ-1004282-A		- Blue	73-79	300.00 ea.
D3TZ-1004282-C		- Black	73-79	300.00 ea.
D6TZ-1004282-A		- Red	73-79	300.00 ea.



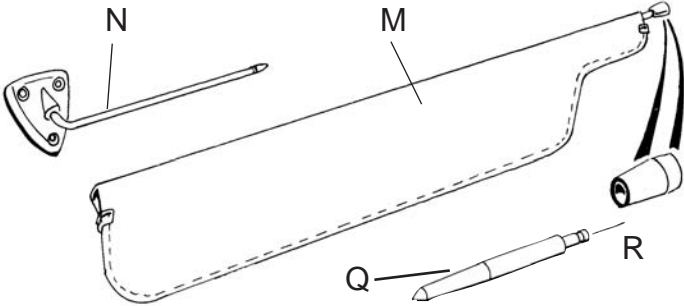
Classic Parts From
Original Tooling
Perfect Fit and Finish



Quality Assured Parts
Made in USA

SUNVISOR

PART #	PIC	DESCRIPTION	YEAR	PRICE
Does NOT include arm or bracket.				
D3TZ-1004104-A	(M)	- White	78-79	50.00 ea.
D3TZ-1004104-H		- Black	78-79	50.00 ea.

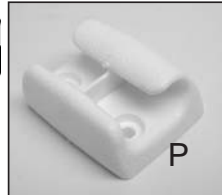


SUNVISOR ARM & BRACKET

PART #	PIC	DESCRIPTION	YEAR	PRICE
<u>Sunvisor Arm & Bracket RH or LH</u>				
- paint to match				
D3TZ-1004144-A	(N)	- Chrome	78-79	25.00 ea.
D3TZ-1004144-CC			78-79	40.00 ea.

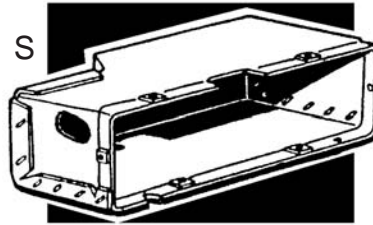
SUNVISOR ANCHOR PIN & BOOT TIP

PART #	PIC	DESCRIPTION	YEAR	PRICE
Top Center Windshield - Paint to Match				
D5VY-6004132-D	(O)	Black.....	78-79	10.00 ea.
D5VY-6004132-W	(P)	White.....	78-79	10.00 ea.
D3AZ-6504114-B	(Q)	<u>Visor Anchor Pin</u> - Plastic - w/ rubber tip	78-79	3.00 ea.
D1DZ-6204115-A	(R)	<u>Sunvisor Arm Rubber Boot Tips</u> - 2 per truck	78-79	1.00 ea.



GLOVE BOX

PART #	PIC	DESCRIPTION	YEAR	PRICE
C3AZ-14413-A		<u>Glove Box Switch & Lamp Assy.</u>	78-79	15.00 ea.
D3TZ-1006010-A	(S)	<u>Glove Box Liner Assy.</u>	78-79	25.00 ea.
C7TZ-81060A08-A	(T)	<u>Glove Box Door Check Cable Assembly</u>	78-79	3.75 ea.
C6AZ-6206066-A	(U)	<u>Glove Box Door Bumper</u> - 1 or 2 per truck	78-79	1.00 ea.
C6AZ-6206069-A	(V)	<u>Glove Box Door Spring</u> - 1 or 2 per truck	78-79	2.00 ea.



DASH TRIM AROUND GLOVE BOX

PART #	PIC	DESCRIPTION	YEAR	PRICE
D7TZ-1004388-C		- Black	78-79	50.00 ea.
D7TZ-1004388-A	(W)	- Wood Grain	78-79	65.00 ea.



GLOVE BOX FINISH PANEL

PART #	PIC	DESCRIPTION	YEAR	PRICE
STICK ON TYPE W/ WOOD GRAIN & CHROME EDGES IN PLASTIC				
D9TZ-1006036-B	(X)	- plain - cover only	78-79	35.00 ea.
D7TZ-1004460-A	(Y)	- "Custom" - emblem only	78-79	25.00 ea.
D7TZ-1004460-B	(Z)	- "Ranger" - emblem only	78-79	30.00 ea.
D7TZ-1004460-C	(J)	"Ranger XLT" - emblem only	78-79	30.00 ea.



J

Z

DOOR ASSEMBLY

PART #	PIC	DESCRIPTION	YEAR	PRICE
--------	-----	-------------	------	-------

**Must be shipped by Truck. Does NOT include Hardware.
Does NOT include \$75.00 crating fee**

D9TZ-1020124-A		Imported - RH	78-79	225.00 ea.
D9TZ-1020125-A		Imported - LH	78-79	225.00 ea.



WEATHERSTRIPPING

PART #	PIC	DESCRIPTION	YEAR	PRICE
--------	-----	-------------	------	-------

D3TZ-1020530-PR	(A)	Door Seal Kit - Cut to Fit - On Body	78-79	60.00 pr.
D8TZ-1020518-PR		Upper Door Seal - On top of door frame - 65" long	78-79	57.00 pr.
D7TZ-1042430-KIT		Flexible Plastic Chrome Moulding Kit for Back Window with Narrow Plastic Chrome & Fixed Rear Window - From Serial # 080,000 - Rubber Seal Sold Sep.	77-79	35.00 kit

WEATHERSTRIP GLUE

PART #	PIC	DESCRIPTION	MODEL	YEAR	PRICE
--------	-----	-------------	-------	------	-------

C0AZ-19554-A		Weatherstrip Glue comes in a tube			10.00 ea.
--------------	--	-----------------------------------	--	--	-----------



C0AZ-19554-A

DOOR PANELS

PART #	PIC	DESCRIPTION	YEAR	PRICE
--------	-----	-------------	------	-------

All Our Door Panels Are Made Off of ORIGINAL FORD TOOLING and Complete With Armrest and Plastic Clips to Hold Panel to Door Does NOT include Finger Cups.

D8TZ-1023942-F6B		- Blue - RH	78-79	100.00 ea.
D8TZ-1023943-F6B		- Blue - LH	78-79	100.00 ea.
D8TZ-1023942-F9A		- Black - RH	78-79	100.00 ea.
D8TZ-1023943-F9A		- Black - LH	78-79	100.00 ea.
D8TZ-1023942-F5D		- Red - RH	78-79	100.00 ea.
D8TZ-1023943-F5D		- Red - LH	78-79	100.00 ea.



Molded in

ORIGINAL FORD
Colors

Make your Ford look like new!



Quality Assured Parts

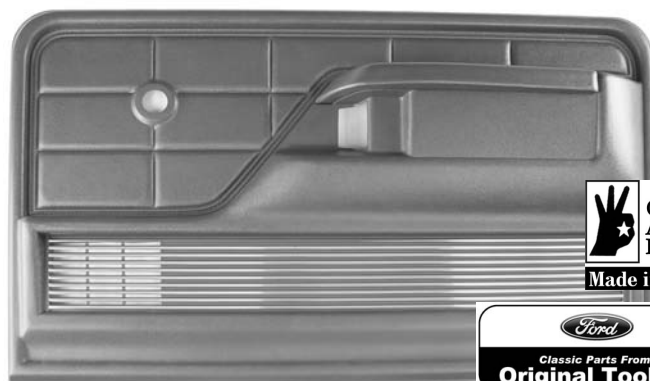
Made in USA

DOOR PANELS - XLT

PART #	PIC	DESCRIPTION	YEAR	PRICE
--------	-----	-------------	------	-------

Includes Chromed Grille. Includes Arm Rest & Clips for XLT Models Does NOT include Upper Vinyl or Woodgrain Panel. Does NOT include Finger Cups

D8TZ-1023942-J9A		- Black - RH	78-79	115.00 ea.
D8TZ-1023943-J9A		- Black - LH	78-79	115.00 ea.
D8TZ-1023942-J6B		- Blue - RH	78-79	115.00 ea.
D8TZ-1023943-J6B		- Blue - LH	78-79	115.00 ea.
D9TZ-1023942-J9D		- Red - RH	78-79	115.00 ea.
D9TZ-1023943-J9D		- Red - LH	78-79	115.00 ea.



Quality Assured Parts

Made in USA

Classic Parts From Original Tooling


Perfect Fit and Finish

DOOR PANELS - OFF COLOR SECONDS

PART #	PIC	DESCRIPTION	YEAR	PRICE
--------	-----	-------------	------	-------

Special Deal - Off Color Seconds

Does not include Trim, Arm Rest or Upper Vinyl or Woodgrain Panel
During production we make color changes resulting in off color panels. Must be painted and comes with clips. Call for availability.

D3TZ-1023942-PR		<u>Door Panels</u> - must be painted - Comes with Clips	78-79	100.00 pr.
-----------------	--	---	-------	------------



DOOR PANEL CLIPS

PART #	PIC	DESCRIPTION	YEAR	PRICE
(A)		<u>Door Panel Plastic Clip</u> - holds door panel to door		
*387477-S		- (8) per door	78-79	1.50 ea.
*387477-SET		- Set of (16)	78-79	20.00 set



A



B

DOOR ARM REST

PART #	PIC	DESCRIPTION	YEAR	PRICE
D3TZ-1024140-E		- RH - Black	78-79	40.00 ea.
D3TZ-1024141-E		- LH - Black	78-79	40.00 ea.
D3TZ-1024140-J		- RH - Blue	78-79	40.00 ea.
D3TZ-1024141-J	(C)	- LH - Blue	78-79	40.00 ea.
D3TZ-1024140-F		- RH - Red	78-79	40.00 ea.
D3TZ-1024141-F		- LH - Red	78-79	40.00 ea.
D00Z-6224100		Arm Rest Pad - Black - for inside quarter	78-79	35.00 ea.



C



ARM REST FINGER CUPS

PART #	PIC	DESCRIPTION	YEAR	PRICE
(D)		<u>Arm Rest Finger Cup</u> - w/o Screws	78-79	12.00 ea.
D3TZ-1024142-A		- Black		
D3TZ-1024142-RD		- Red		
D3TZ-1024142-BU		- Blue		
D3TZ-1024142-M	(E)	<u>Arm Rest Finger Cups</u> - Black Metal - w/ Screws	78-79	10.00 pr.



Perfect Fit and Finish

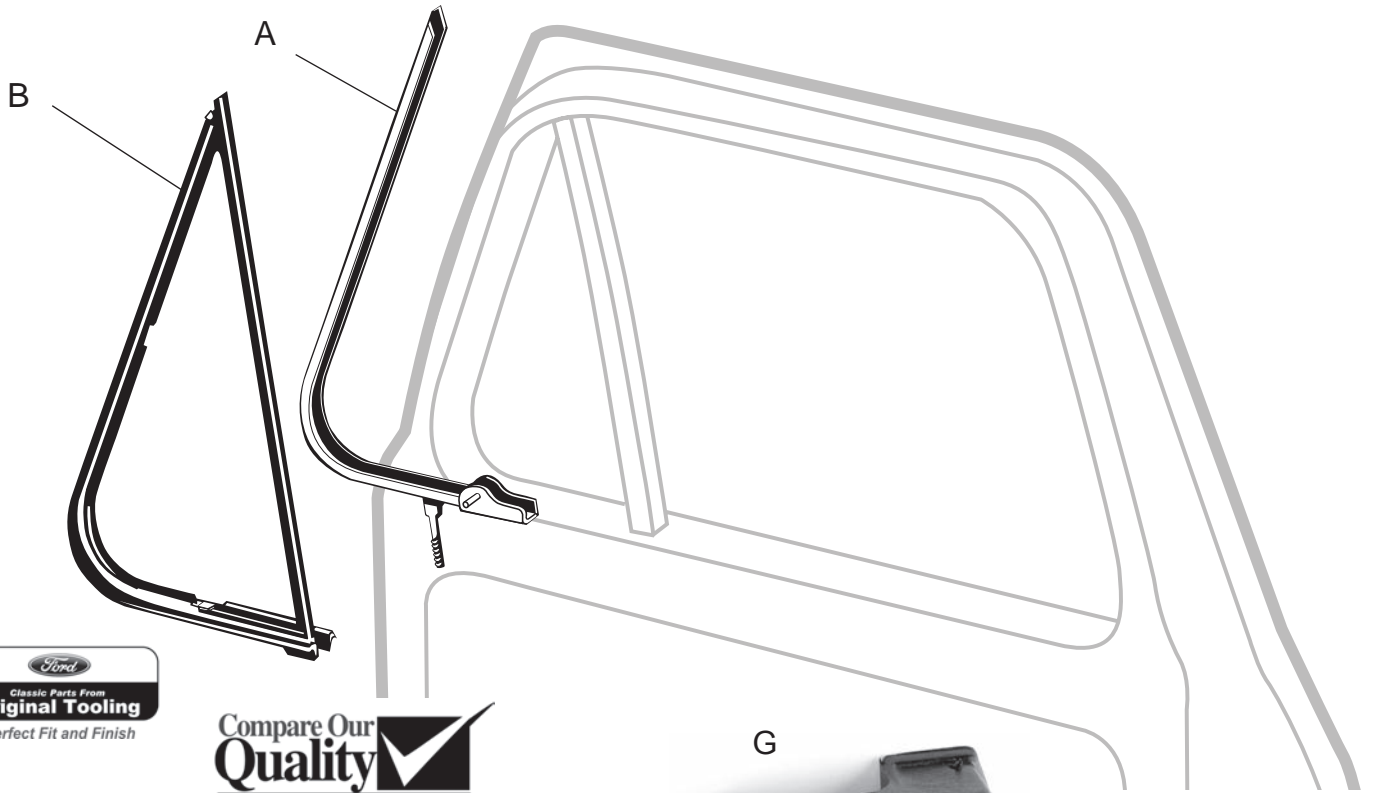


D

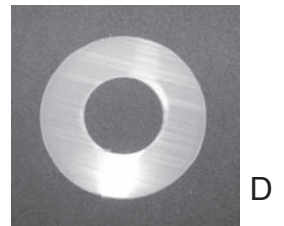
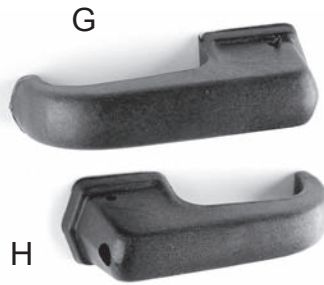


E





Compare Our Quality
THERE IS A DIFFERENCE



VENT WINDOW SEALS & FRAME

PART #	PIC	DESCRIPTION	YEAR	PRICE
(B)		Vent Window Seal Made in U.S.A. No Rivets		
D3TZ-1021448-A		- RH	78-79	65.00 ea.
D3TZ-1021449-A		- LH	78-79	65.00 ea.
D3TZ-1021448-PR		- RH or LH	78-79	130.00 pr.
(A)		Vent Window Frame From Serial # Y00.001		
D7TZ-1021608-A		- RH	78-79	Coming!
D7TZ-1021609-A		- LH	78-79	Coming!

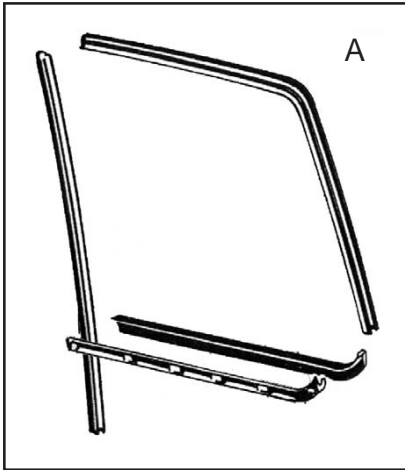
WINDOW CRANK HANDLE - 78-79

PART #	PIC	DESCRIPTION	YEAR	PRICE
C8AZ-6223370-A	(D)	Inside Window Crank Handle Escutcheon - Plastic	78-79	2.50 ea.
D4TZ-1023342-A	(G)	Inside Window Crank Handle Assembly - w/ black knob	78-79	25.00 ea.
D4TZ-1023352-A	(I)	Black Knob for Inside Window Crank Handle	78-79	7.50 ea.

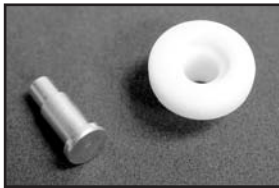
VENT WINDOW HANDLES

PART #	PIC	DESCRIPTION	YEAR	PRICE
Vent Window Handle w/button (From Serial # Y00.001 will work on 1979, but not correct)				
C8UZ-8922916-A	(E)	- RH	77-78	30.00 ea.
C8UZ-8922917-A	(F)	- LH	77-78	30.00 ea.
Vent Window Handle w/button - In Black plastic Original Tooling				
D8UZ-1122917-A	(G)	- LH	79	25.00 ea.
D8UZ-1122916-A	(H)	- RH	79	25.00 ea.

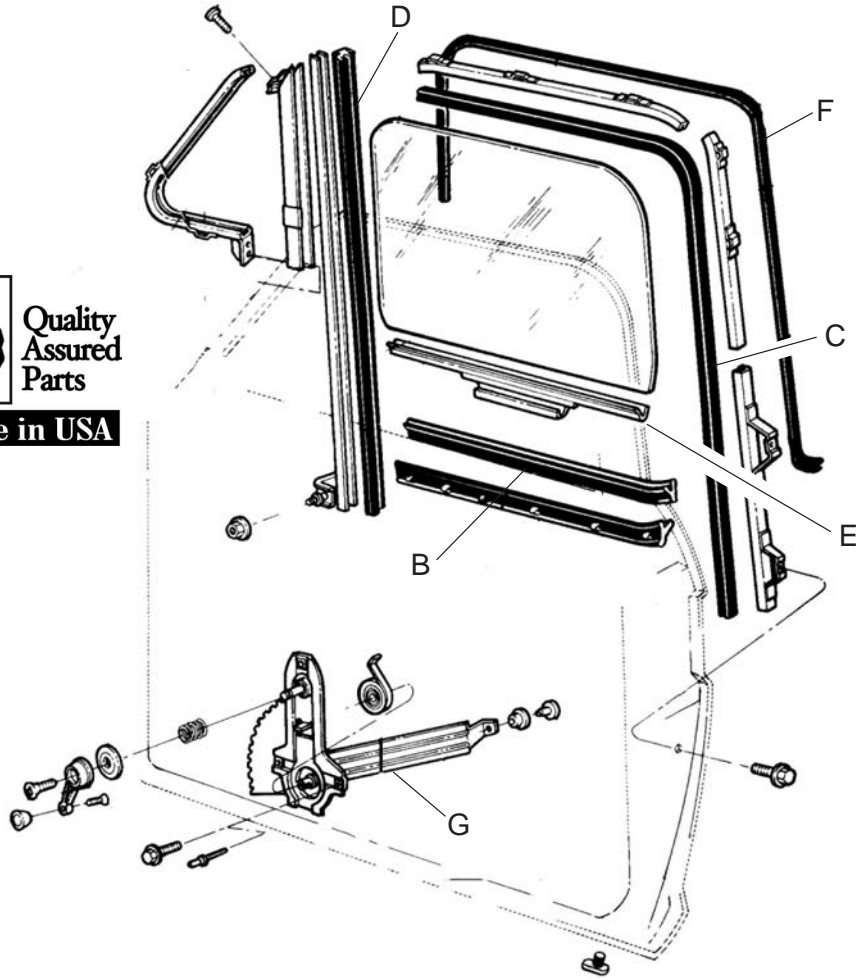




 **Quality Assured Parts**
Made in USA



Z



DOOR WINDOW COMPONENTS

PART #	PIC	DESCRIPTION	YEAR	PRICE
D3TZ-1021460-CA	(A)	<u>Complete Window Anti-Rattler Kit</u> - for Both Doors - Kit includes: (1) D7TZ-1021452-PR (1) D7TZ-1021453-PR (2) D3TZ-1021536-A (2) D3TZ-1021546-A	78-79	170.00 kit
D7TZ-1021452-PR D7TZ-1021453-PR	(B)	<u>Door Glass Anti-Rattlers</u> - Right Door - Left Door	78-79 78-79	45.00 pr. 45.00 pr.
C5AZ-57262A32-A	(Z)	<u>Window Regulator Roller</u> - Plastic w/ pin - 11/16 O.D X 1/2" thick	78-79	5.00 ea.

DOOR WINDOW COMPONENTS

PART #	PIC	DESCRIPTION	YEAR	PRICE
D3TZ-1021536-A	(C)	<u>Door Glass Run</u> - Top & Back side door glass anti-rattler - Right or Left Side - 2 per truck	78-79	20.00 ea.
D3TZ-1021546-A	(D)	<u>Division Bar Glass Run</u> - 2 per truck	78-79	25.00 ea.
D9TZ-1021458-A D9TZ-1021459-A	(E)	<u>Door Glass Lift Channel</u> - RH - LH	78-79	30.00 ea. 30.00 ea.
8A-7021478		<u>Door Glass Channel to Glass Tape Kit</u>	ALL	6.00 kit
D8TZ-1020518-PR	(F)	<u>Upper Door Seal</u> On top of door frame 65"long	78-79	57.00 pr.
D8TZ-1023200-A D8TZ-1023201-A D8TZ-1023200-X D8TZ-1023201-X	(G)	<u>Window Regulator</u> - RH - Original Tooling - LH - Original Tooling - RH - IMPORTED - LH - IMPORTED	78-79	100.00 ea. 100.00 ea. 50.00 ea. 50.00 ea.
D0AZ-62234A24-KIT		<u>Window Regulator Drive Gear Repair Kit</u> for electric rear window	78-90	8.00 kit

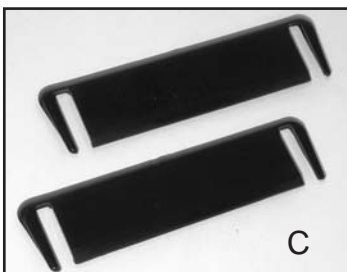
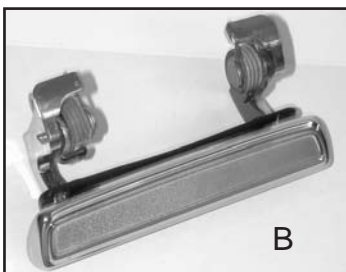
INSIDE DOOR HANDLES

PART #	PIC	DESCRIPTION	YEAR	PRICE
D3TZ-1022600-A	(A)	Inside Door Handle - RH	78-79	10.00 ea.
D3TZ-1022601-A		Inside Door Handle - LH	78-79	10.00 ea.



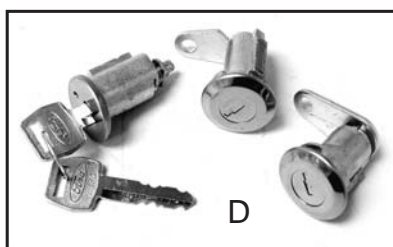
OUTSIDE DOOR HANDLES

PART #	PIC	DESCRIPTION	YEAR	PRICE
D8BZ-5422404-X	(B)	Outside Door Handle - RH - w/ pad - Imported	78-79	40.00 ea.
D8BZ-5422405-X		- LH - w/ pad - Imported	78-79	40.00 ea.
D3TZ-1022448-PR	(C)	Outside Door Handle Pads	78-79	10.00 pr.



DOOR LOCK CYLINDERS & KEYS

PART #	PIC	DESCRIPTION	YEAR	PRICE
D3TZ-1021984-PR		Door Lock Cylinder and Key Set - RH & LH	78-79	50.00 pr.
D8TZ-1022050-D	(D)	Ignition Cylinder Assembly & 2 Door Lock Cylinders with 2 Keys	78	80.00 ea.
F58Z-1622023-AA		Door Lock Cylinder Retainer	78-96	7.00 ea.



DOOR LOCK KNOBS

PART #	PIC	DESCRIPTION	YEAR	PRICE
D5TZ-1021850-A	(E)	Door Lock Knob - Black - Plastic	78-79	4.00 ea.
D50Z-6521850-B	(F)	Door Lock Knob - Chrome - Plastic	78-79	5.00 ea.



DOOR LOCK ROD RETAINER CLIP

PART #	PIC	DESCRIPTION	YEAR	PRICE
D9BZ-5421952-B	(G)	Door Latch Rod Clip - (2) per vehicle	78-79	5.00 ea.
E6AZ-5421952-A	(H)	Door Latch Control Rod Retainer - 2 per door	78-79	2.00 ea.



DOOR LOCK COMPONENTS

PART #	PIC	DESCRIPTION	MODEL	YEAR	PRICE
D2AZ-6522008-A	(I)	Door Latch Striker Plate - RH or LH	F100-350	73-79	25.00 ea.



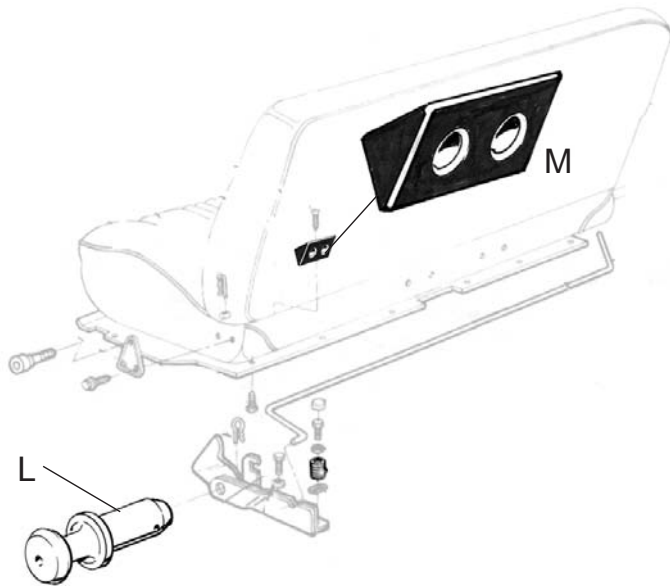
SEAT PARTS

PART #	PIC	DESCRIPTION	YEAR	PRICE
C5AZ-6261753-BA	(J)	Seat Track Adjustment Knob - Black - w/ clip	78-86	2.50 ea.
C5AZ-6262060-A	(K)	Seat Adjustment Knob Retainer Clip - Sold Separately	78-86	1.50 ea.



BRONCO SEAT PARTS

PART #	PIC	DESCRIPTION	YEAR	PRICE
D8TZ-9863022-B	(L)	Rear Seat Cushion Pivot Pin	78-79	3.00 ea.
D8TZ-9860060-A		Seat Back Stop for Rear Folding Seat	78-79	4.00 ea.



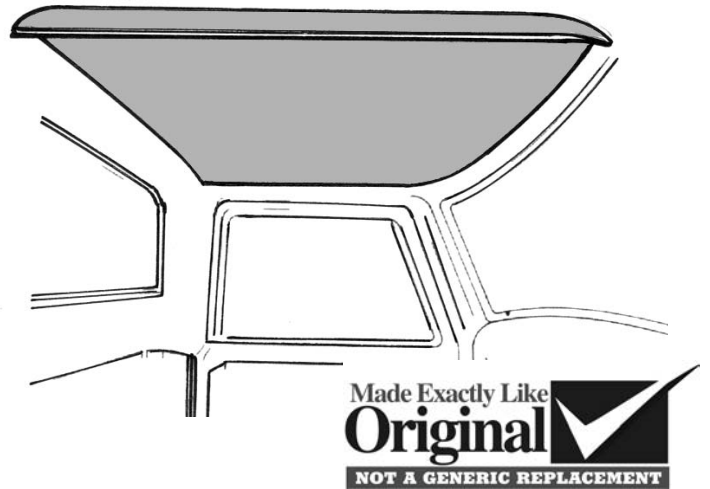
SCUFF PLATES

PART #	PIC	DESCRIPTION	YEAR	PRICE
D4TZ-1013208-PR		Scuff Plates	78-79	120.00 pr.



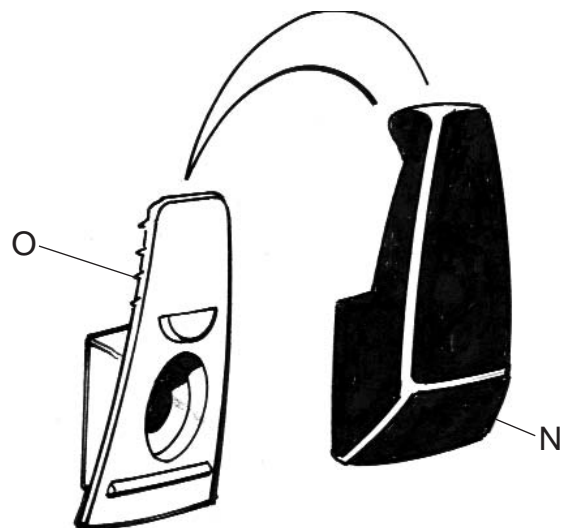
HEADLINERS

PART #	PIC	DESCRIPTION	YEAR	PRICE
D8TZ-9851968-G		- Off white - no holes	78-79	60.00 ea.



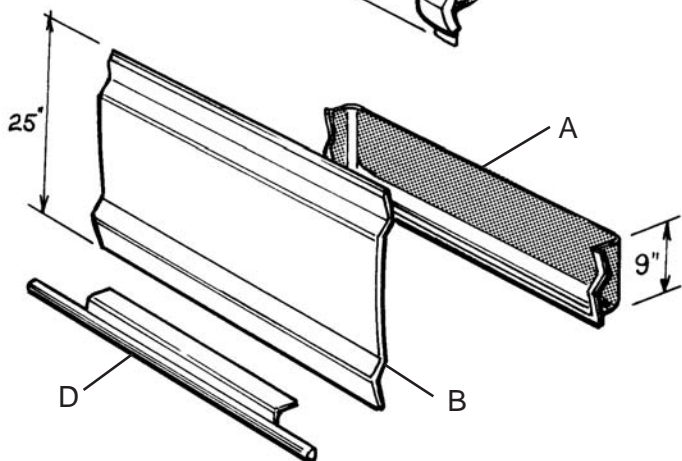
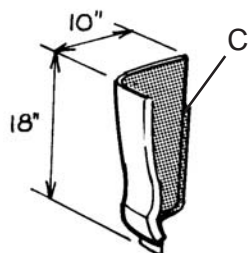
COAT HANGER HOOK

PART #	PIC	DESCRIPTION	MODEL	YEAR	PRICE
E0AZ-5429024-A	(N)	Coat Hanger Hook - Black - Slips Over Retainer	Truck Bronco	68-86 78-79	3.00 ea.
C8AZ-6229232-A	(O)	Coat Hook Retainer - Plastic	Truck Bronco	68-86 78-79	3.00 ea.



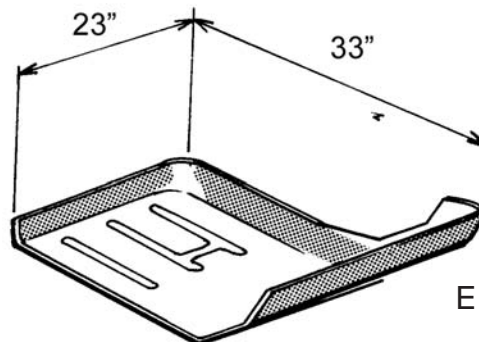
METAL REPAIR PANELS

PART #	PIC	DESCRIPTION	YEAR	PRICE
D3TZ-8120378-R	(A)	<u>Inner Door Bottom Panel</u> - RH	78-79	70.00 ea.
D3TZ-8120378-L		- LH	78-79	70.00 ea.
D3TZ-8120200-R	(B)	<u>Door Outer Skin</u> - RH	78-79	85.00 ea.
D3TZ-8120201-L		- LH	78-79	85.00 ea.
D3TZ-9927843-A		<u>Upper Bed Side Repair Panel</u> (above rear wheel) - LH	78-79	30.00 ea.
D3TZ-9927842-A		- RH	78-79	30.00 ea.
D3TZ-8140302-R	(C)	<u>Cab Back Lower Corner Panel</u> - RH - 18" x 10"	73-79	30.00 ea.
D3TZ-8140303-L	(C)	- LH - 18" x 10"	73-79	30.00 ea.
D3TZ-8110110-PR	(D)	<u>Lower Outer Rocker Panel Patch</u> - Sold in Pairs	78-79	40.00 pr.
D3TZ-1051704-C		<u>Roof Side Drip Rail Steel Repair Panel</u> - RH - Reg. Cab LIMITED SUPPLY LH SOLD OUT	78-79	35.00 ea.



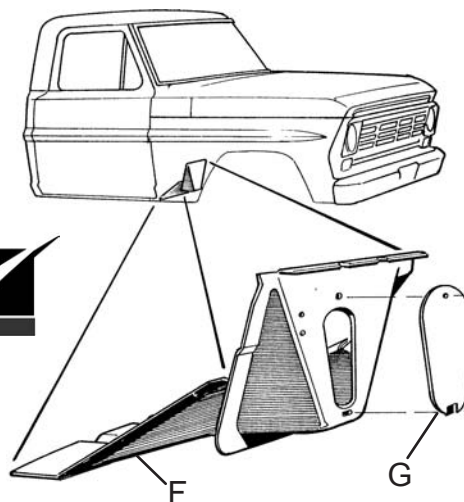
FLOOR PAN

PART #	PIC	DESCRIPTION	MODEL	YEAR	PRICE
	(E)	<u>Floor Pan</u> - Front Section - 23" x 33"			
C7TZ-1011135-R		- RH	F100-350	65-79	60.00 ea.
C7TZ-1011135-L		- LH	F100-350	65-79	60.00 ea.



CAB MOUNTS

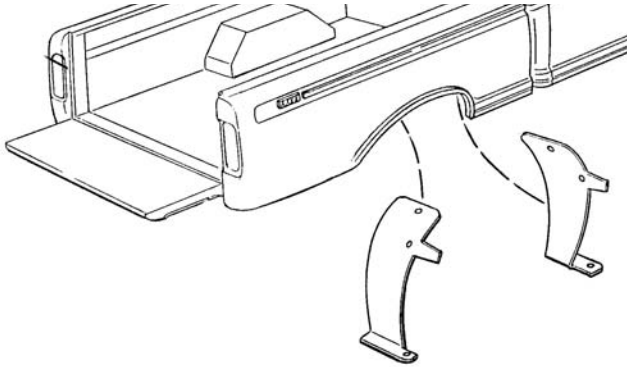
PART #	PIC	DESCRIPTION	MODEL	YEAR	PRICE
C5TZ-10112A70	(F)	<u>Front Cab Mount</u> - RH	Bronco	78-79	85.00 ea.
C8TZ-10112A71		<u>Front Cab Mount</u> - LH	Bronco	78-79	85.00 ea.
C5TZ-81111B80-A	(G)	<u>Cab Mount Inspection Plate</u>	Bronco	78-79	10.00 ea.



Compare Our
Quality ✓
MADE IN THE U.S.A.

REAR WHEEL OPENING SPLASH SHIELD

PART #	PIC	DESCRIPTION	YEAR	PRICE
D7TZ-9928370-A		Rear Wheel Opening Splash Shield - From Serial # Y80,001 - Takes (4) per truck - RH or LH	78-79	15.00 ea.

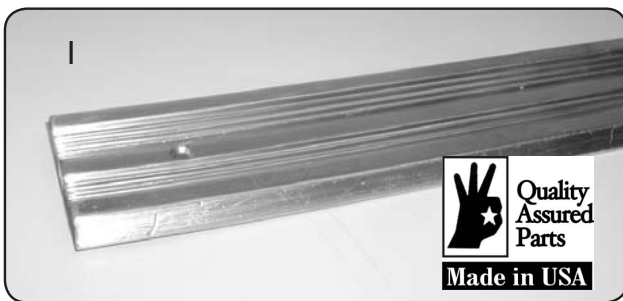


TAILGATE NAME PLATE

PART #	PIC	DESCRIPTION	YEAR	PRICE
D6UZ-1142528-A		Tailgate Nameplate - "Trailer Special"	78-79	30.00 ea.

TAILGATE PARTS - BRONCO

PART #	PIC	DESCRIPTION	YEAR	PRICE
D8TZ-98430A30-A	(H)	Tailgate Counter Balance Torsion Bar Center Bracket	78-96	15.00 ea.
D8TZ-9842624-A	(I)	Tailgate Scuff Plate	78-96	40.00 ea.
E3TZ-9843052-A		Tailgate Support Cable - need 2	78-96	40.00 ea.

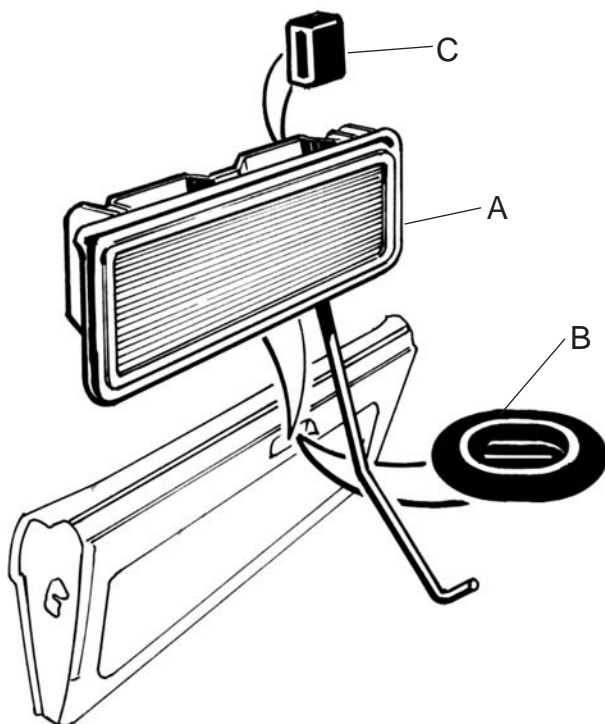


TAILGATE - BRONCO

PART #	PIC	DESCRIPTION	MODEL	YEAR	PRICE
D8TZ-9840700-A		Tailgate - No Hardware - GENUINE FORD	Bronco	78-79	700.00 ea.
D8TZ-9840700-R		Tailgate Assembly - Imported - No Ford Letters	Bronco	78-82	450.00 ea.

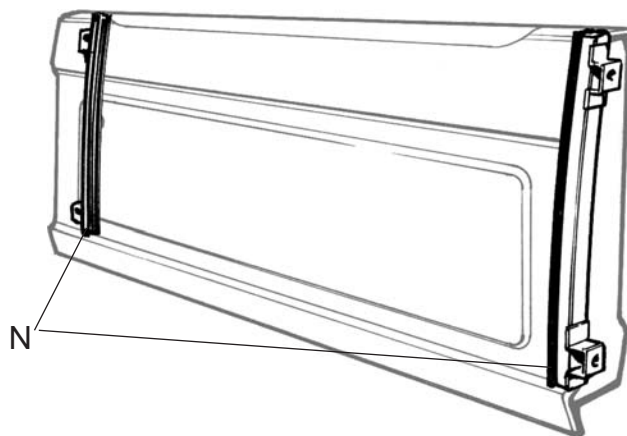
TAILGATE LATCH PARTS - BRONCO

PART #	PIC	DESCRIPTION	YEAR	PRICE
D8TZ-98431C62-A	(A)	<u>Tailgate Latch Handle</u> - GENUINE FORD	78-79	120.00 ea.
388016-S	(B)	<u>Tailgate Latch Handle Rod Grommet</u>	78-79	2.00 ea.
D8TZ-98431C63-A	(C)	<u>Tailgate Latch Release Handle Stop Bumper</u>	78-79	1.00 ea.



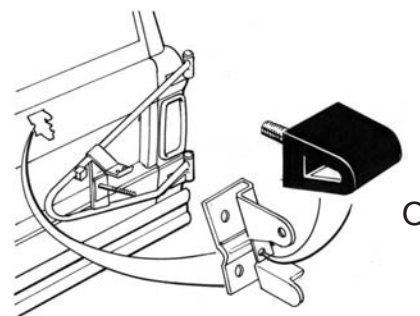
BACK WINDOW GLASS RUN - BRONCO

PART #	PIC	DESCRIPTION	YEAR	PRICE
		<u>Bronco - Back Window Glass Lower Side Run</u> - RH or LH		
E1TZ-98422A20-A	(N)	- Metal & Rubber	78-96	70.00 ea.
E1TZ-98422A20-S		- Rubber & Felt	78-96	20.00 pr.



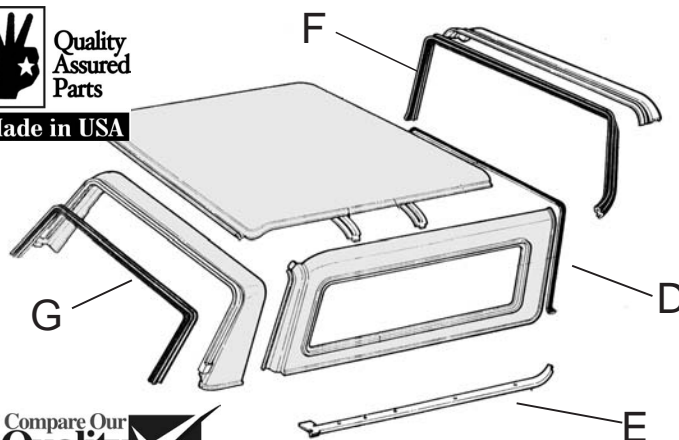
SPARE TIRE CARRIER PARTS

PART #	PIC	DESCRIPTION	MODEL	YEAR	PRICE
D8TZ-1A366-B	(O)	<u>Spare Tire Carrier Latch Bumper</u>	Bronco	78-79	10.00 ea.
C8AZ-1462-B		<u>Spare Wheel Hold Down Wing Nut</u>	Bronco	78-79	6.00 ea.



REMOVEABLE ROOF PANEL SEALS

PART #	PIC	DESCRIPTION	YEAR	PRICE
D8TZ-9851322-A	(D)	<u>Removable Roof Front Seal</u> - On fiberglass roof	78-96	30.00 ea.
D8TZ-98513C22-PR	(E)	<u>Removable Roof Side Panel Seals</u>	78-79	150.00 pr.
D8TZ-9854732-A	(F)	<u>Front Roof Rear Seal</u> - On metal roof	78-88	35.80 ea.
E1TZ-98422A20-A		<u>Back Window Glass Lower Side Run</u> - RH or LH	78-96	70.00 ea.
D8TZ-98422A36-A	(G)	<u>Back Window Upper Glass Run</u>	78-79	40.00 ea.

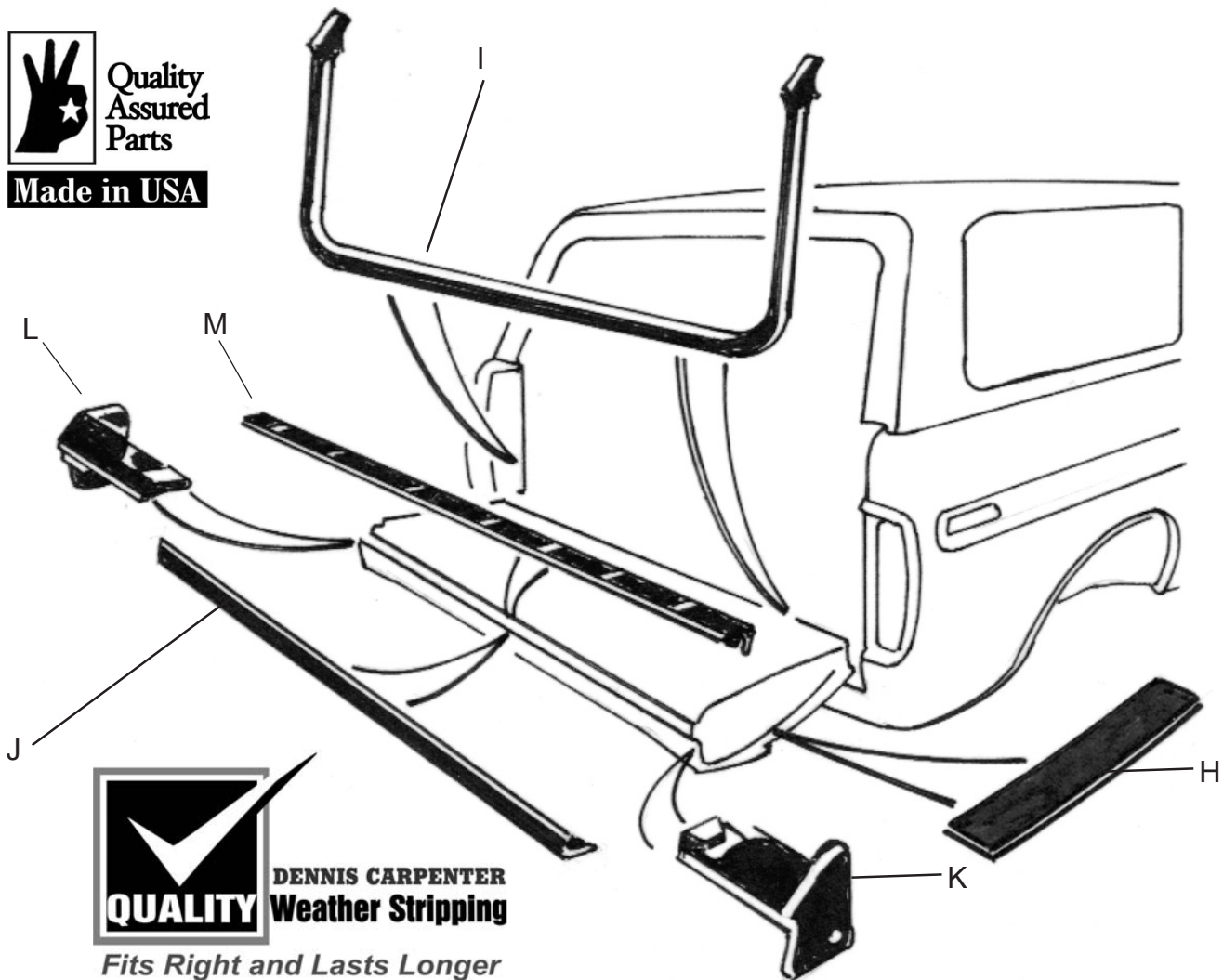


TAILGATE RELATED PARTS - BRONCO

PART #	PIC	DESCRIPTION	YEAR	PRICE
D3TZ-99439A01-A	(H)	Tailgate Lower Side Bumpers - on tailgate	78-79	4.00 pr.

TAILGATE SEALS - BRONCO

PART #	PIC	DESCRIPTION	YEAR	PRICE
D8TZ-9841608-A	(I)	Tailgate Seal	78-96	175.00 ea.
D8TZ-9841610-A	(J)	Tailgate Outside at Belt Seal - GENUINE FORD	78-96	70.00 ea.
Tailgate Upper Corner Seal				
D8TZ-9841616-A	(K)	- RH	78-96	31.00 ea.
D8TZ-9841617-A	(L)	- LH	78-96	31.00 ea.
D8TZ-9842072-A	(M)	Tailgate Inside at Belt Seal GENUINE FORD	78-96	72.00 ea.



DENNIS CARPENTER
Weather Stripping

Fits Right and Lasts Longer

QUARTER WINDOW SEALS - BRONCO

PART #	PIC	DESCRIPTION	YEAR	PRICE
Mfg. in Our Shop Using the Best Materials Available!				
D8TZ-9829904-D		Quarter Window Seals - w/o chrome groove - for 5/32" thick glass - except sliding glass	78-79	100.00 pr.
D8TZ-9829904-APR		Quarter Window Rubber - Sliding w/ chrome groove	78-79	250.00 pr.
D8TZ-9829904-CPR		- Stationary w/ chrome groove	78-79	120.00 pr.
D7TZ-1042430-KIT		Flexible Plastic Chrome Moulding Kit - for Stationary Quarter Window with Groove for Moulding	78-79	35.00 kit



Compare Our Quality
THERE IS A DIFFERENCE

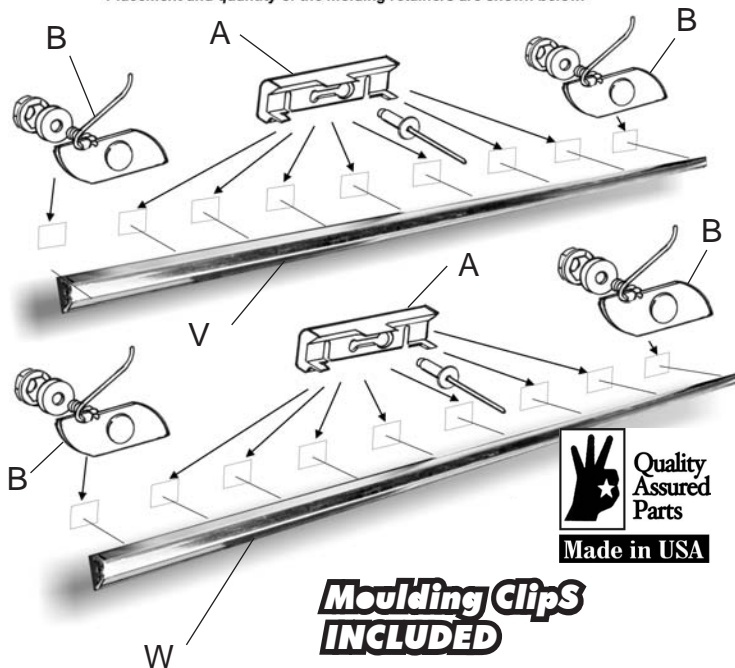


**BRONCO TAILGATE
MOLDINGS & CLIPS 1978-79**

PART #	PIC	DESCRIPTION	YEAR	PRICE
Moldings include Clips				
D8TZ-9841018-A	(V)	Upper Tailgate Moulding w/ Clips	78-79	30.00 ea.
D8TZ-9841018-B	(W)	Lower Tailgate Moulding w/ Clips	78-79	30.00 ea.
D3TZ-99407A12-B	(A)	Upper and Lower Tailgate Moulding Clip - Plastic - need (14)	78-79	2.00 ea.
C8GY-16A076-A	(B)	Moulding Clip		2.00 ea.

1978-1979 Ford Bronco Upper and Lower Tailgate Moldings

Placement and quantity of the molding retainers are shown below.

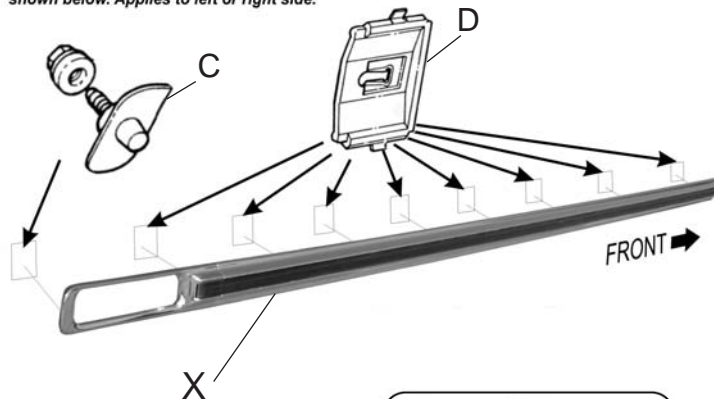


**BRONCO BED SIDE UPPER
MOLDINGS & CLIPS 1978-79**

PART #	PIC	DESCRIPTION	YEAR	PRICE
Moldings include Clips				
D8TZ-9829038-A	(X)	Bed Side Upper Moulding - Black Vinyl Insert - RH	78-79	125.00 ea.
D8TZ-9829039-A		- Black Vinyl Insert - LH	78-79	125.00 ea.
D3TZ-9929316-A	(C)	Moulding Clip		2.00 ea.
D3TZ-1020880-C	(D)	Moulding Clip		1.50 ea.

1978-1979 Ford Bronco Upper Rear Quarter Molding with Black Vinyl Insert

Placement and quantity of the molding retainers are shown below. Applies to left or right side.



Moulding Clips INCLUDED

BRONCO MOLDING - 78-79

1978-79 BRONCO

Quality Ford Restoration Parts



BRONCO FRONT DOOR UPPER MOULDINGS & CLIPS 1978-79

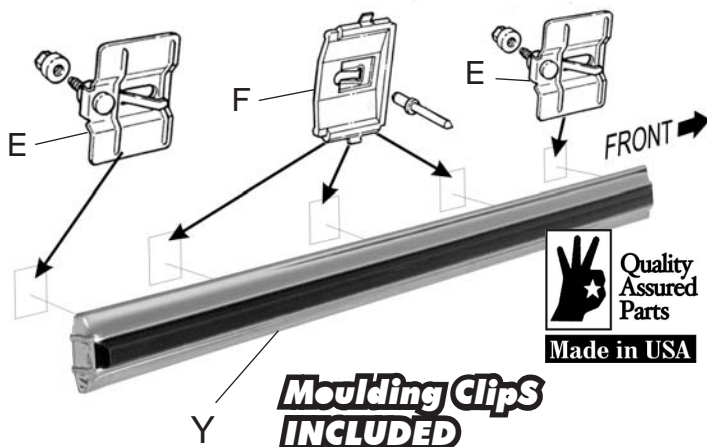
PART #	PIC	DESCRIPTION	YEAR	PRICE
Mouldings include Clips				
D3TZ-1020938-B	(Y)	Front Door Upper Moulding - Black Vinyl Insert - RH	78-79	70.00 ea.
D3TZ-1020939-B		- LH	78-79	70.00 ea.
D3TZ-16A076-A	(E)	Moulding Clip		2.00 ea.
D3TZ-1020880-C	(F)	Moulding Clip		1.50 ea.

BRONCO FRONT FENDER MOULDINGS & CLIPS 1978-79

PART #	PIC	DESCRIPTION	YEAR	PRICE
Mouldings include Clips				
D3TZ-16003-C	(Z)	Front Fender Upper Moulding - Black Vinyl Insert - RH	78-79	100.00 ea.
D3TZ-16004-C		- LH	78-79	100.00 ea.
D3TZ-1020880-C	(F)	Moulding Clip		1.50 ea.
D3TZ-16A076-A	(E)	Moulding Clip		2.00 ea.
381955-S	(G)	Moulding Clip		1.50 ea.

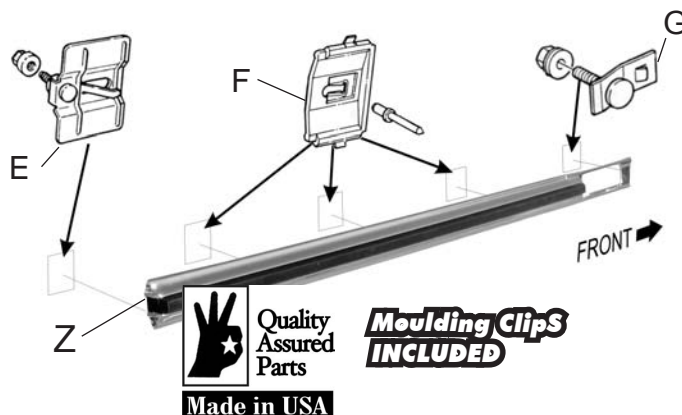
1978-79 Ford Bronco Upper Door Molding with Black Vinyl Insert

Placement and quantity of the molding retainers are shown below. Applies to left or right side.



1978-1979 Ford Bronco Upper Front Fender Molding with Black Vinyl Insert

Placement and quantity of the molding retainers are shown below. Applies to left or right side.

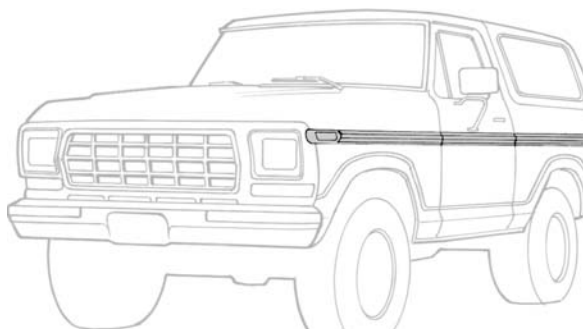


UPPER SIDE MOULDING SET - 78-79

PART #	PIC	DESCRIPTION	YEAR	PRICE
All Mouldings come with Clips				
D8TZ-9821048-AS		Upper Side Moulding Set - with black vinyl insert without racetrack - (6) pcs.	78-79	525.00 set

Includes:

- (1) D3TZ-16003-C, (1) D3TZ-16004-C,
- (1) D3TZ-1020938-B, (1) D3TZ-1020939-B,
- (1) D8TZ-9829039-A, (1) D8TZ-9829038-A



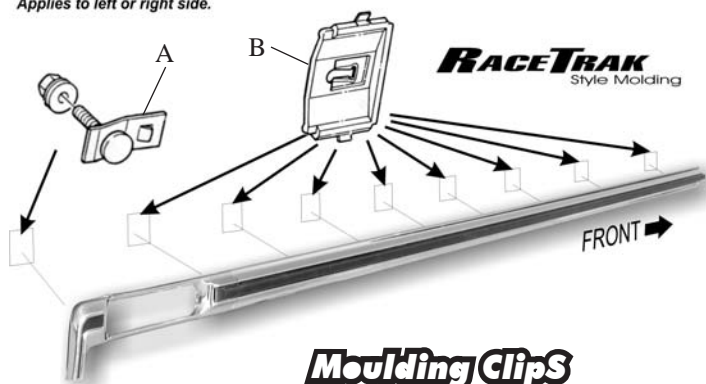


**BED SIDE UPPER MOULDINGS & CLIPS
RACE TRACK STYLE - BRONCO 78-79**

PART #	PIC	DESCRIPTION	YEAR	PRICE
Mouldings include Clips				
D8TZ-9829038-B		<u>Bed Side Upper Moulding</u> - Black Vinyl Insert	78-79	125.00 ea.
D8TZ-9829039-B		- Right side - Left side	78-79	125.00 ea.
Bed Side Rear Moulding - Black & Bright				
D7TZ-9929396-AA		- Right side	78-79	40.00 ea.
D7TZ-9929397-AA		- Left side	78-79	40.00 ea.
Bed Side Lower Moulding				
D8TZ-9829038-C		- Right Side	78-79	150.00 ea.
D8TZ-9829039-C		- Left Side	78-79	150.00 ea.
381955-S	(A)	<u>Moulding Clip</u>		1.50 ea.
D3TZ-1020880-C	(B)	<u>Moulding Clip</u>		1.50 ea.

1978-1979 Ford Bronco Upper Rear Quarter Molding with Black Vinyl Insert

Placement and quantity of the molding retainers are shown below.
Applies to left or right side.



**Moulding Clips
INCLUDED**

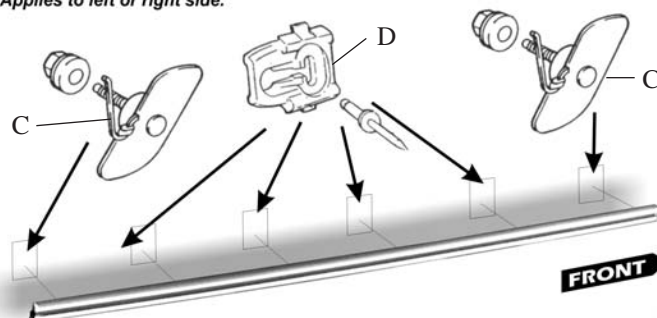


**FRONT DOOR UPPER MOULDINGS & CLIPS
RACE TRACK STYLE - BRONCO 78-79**

PART #	PIC	DESCRIPTION	YEAR	PRICE
Mouldings include Clips				
		<u>Front Door Upper Moulding</u> - Black Vinyl Insert		
D3TZ-1020938-B		- Right side	78-79	70.00 ea.
D3TZ-1020939-B		- Left side	78-79	70.00 ea.
		<u>Front Door Lower Moulding - Black & Bright</u> - Right or Left		
D7TZ-1020878-BA			78-79	50.00 ea.
C8GY-16A076-A	(C)	<u>Moulding Clip</u>		2.00 ea.
D2SZ-6520818-A	(D)	<u>Moulding Clip</u>		2.00 ea.

1978-1979 Bronco Door RACETRACK Mouldings

Placement and quantity of the molding retainers are shown below.
Applies to left or right side.



**Moulding Clips
INCLUDED**

**LOWER RACE TRACK
MOLDING KIT W/ CLIPS - BRONCO 78-79**

PART #	PIC	DESCRIPTION	YEAR	PRICE
Mouldings include Clips				
D8TZ-9821048-C		<u>Lower Race Track Molding Kit w/ Clip</u> Includes: (1) D7TZ-16003-AA (1) D7TZ-16004-AA (2) D7TZ-1020878-BA (1) D8TZ-9829038-C (1) D8TZ-9829039-C (1) D7TZ-9929396-AA (1) D7TZ-9929397-AA	78-79 Bronco	630.00 kit

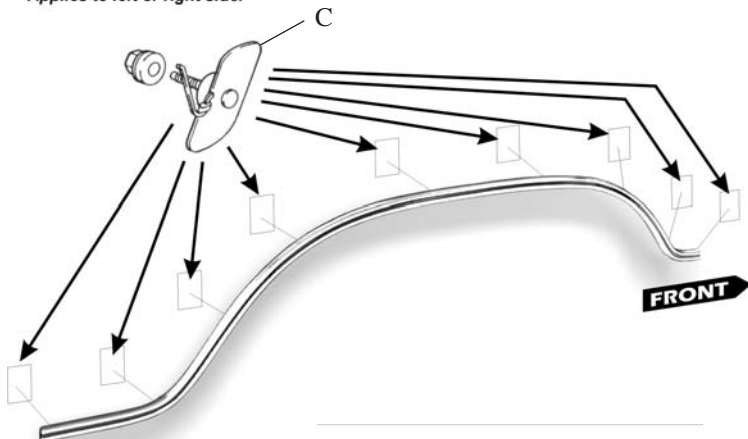


FRONT FENDER MOULDINGS & CLIPS RACE TRACK STYLE - BRONCO 78-79

PART #	PIC	DESCRIPTION	YEAR	PRICE
Mouldings include Clips				
D3TZ-16003-C		Front Fender Upper Moulding	78-79	100.00 ea.
D3TZ-16004-C		- Black Vinyl Insert - RH	78-79	100.00 ea.
		- Black Vinyl Insert - LH		
Front Fender Lower Moulding				
D7TZ-16003-AA		- Black & Bright - RH	78-79	125.00 ea.
D7TZ-16004-AA		- Black & Bright - LH	78-79	125.00 ea.
C8GY-16A076-A		Moulding Clip		2.00 ea.

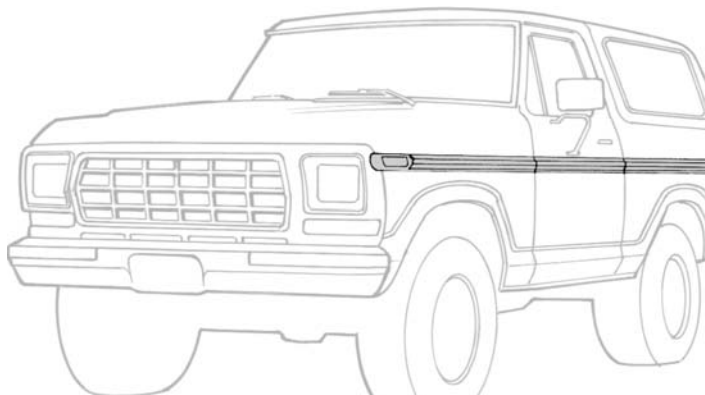
1978-1979 Bronco Front Fender **RACE TRAK** Mouldings

Placement and quantity of the molding retainers are shown below.
Applies to left or right side.



UPPER SIDE MOULDING SET - 78-79 RACE TRACK STYLE - BRONCO

PART #	PIC	DESCRIPTION	YEAR	PRICE
D8TZ-9821048-BS		Upper Side Moulding Set with Black Vinyl Insert with Race Track	78-79	550.00 set
- (6) pieces				
		(1) D3TZ-16003-C		
		(1) D3TZ-16004-C		
		(1) D3TZ-1020938-B		
		(1) D3TZ-1020939-B		
		(1) D8TZ-9829038-B		
		(1) D8TZ-9829039-B		



ROOF DRIP RAIL BRONCO MOULDING



PART #	PIC	DESCRIPTION	YEAR	PRICE
D3TZ-1051726-A		- RH	78-79	35.00 ea.
D3TZ-1051727-A		- LH	78-79	35.00 ea.

WHEEL OPENING BRONCO MOULDING

PART #	PIC	DESCRIPTION	YEAR	PRICE
Front Wheel Opening Moulding				
D8TZ-16038-A		- RH	78-79	40.00 ea.
D8TZ-16039-A		- LH	78-79	40.00 ea.
Rear Wheel Opening Moulding				
D3TZ-9929164-A		- RH	78-79	40.00 ea.
D3TZ-9929165-A		- LH	78-79	40.00 ea.
D3TZ-16038-SET		Wheel Opening Moulding Set	78-79	150.00 set
- Set of (4)				
- Set includes:				
D8TZ-16038-A,				
D8TZ-16039-A,				
D3TZ-9929164-A,				
D3TZ-9929165-A				

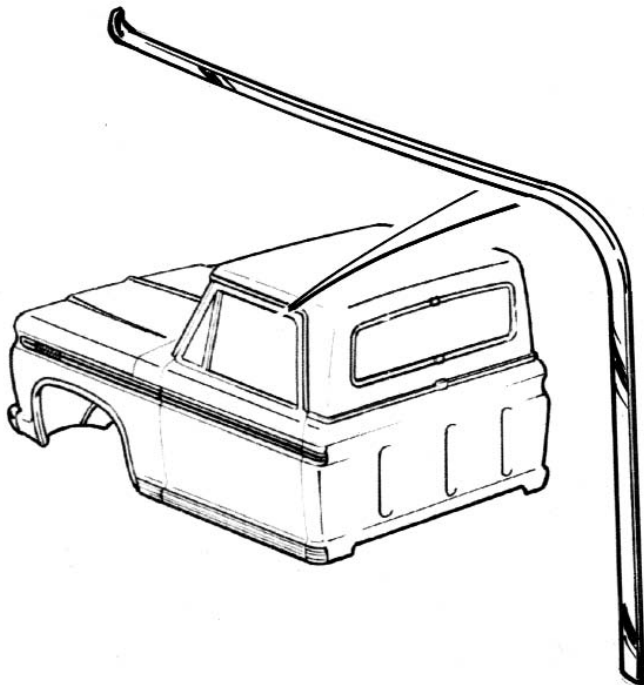


WHEEL OPENING MOULDING - 78-79

PART #	PIC	DESCRIPTION	YEAR	PRICE
		Front Fender Wheel Opening Moulding		
D8TZ-16038-A	- RH		78-79	40.00 ea.
D8TZ-16039-A	- LH		78-79	40.00 ea.
		Bed Side Wheel Opening Moulding		
D3TZ-9929164-A	- RH		78-79	40.00 ea.
D3TZ-9929165-A	- Genuine Ford - LH		78-79	40.00 ea.
D3TZ-16038-SET		Wheel Opening Moulding Set - Set of (4) Set includes (1)D8TZ-16038-A (1)D8TZ-16039-A (1)D3TZ-9929164-A (1)D3TZ-9929165-A	78-79	150.00 set

ROOF DRIP RAIL MOULDING - 78-79

PART #	DESCRIPTION	YEAR	PRICE
D3TZ-1051726-A	- RH	78-79	35.00 ea.
D3TZ-1051727-A	- LH	78-79	35.00 ea.



VALVE COVER DECALS

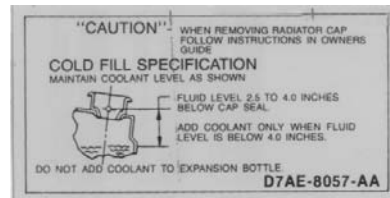
PART #	PIC	DESCRIPTION	YEAR	PRICE
DF-410		Powered By Ford Valve Cover Decal - Chrome		3.50 ea.
DF-411		Powered By Ford Valve Cover Decal - White		3.50 ea.



DF-411

ENGINE COMPARTMENT DECALS

PART #	PIC	DESCRIPTION	MODEL	YEAR	PRICE
DF-654	(A)	Radiator Caution Decal		72-82	3.50 ea.
DF-697		Air Conditioner Charge Decal		74-78	4.00 ea.
DF-821	(B)	Heater / Air Service Instruction Decal		73-79	4.00 ea.
DF-828	(C)	Coolant Caution Decal		77-86	3.50 ea.

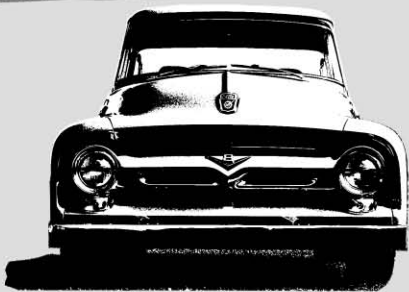


A

C



B



Join our Ford Family

The FORD OWNERS' ASSOCIATION
welcomes all Fords and promotes the
enjoyment of these great American vehicles.

What is better than owning a Ford? Our family oriented association is for people of all ages and for Ford vehicles of all kinds. We've listed some of our criteria to show you what our family is all about.

- 1) Unite individuals with diverse interests, with the common goal of enjoying their Ford vehicles under one association.
- 2) Sponsor a yearly event that will be held at the same time and place each year.
- 3) Serve as a common interest point of unity for members of all special interest clubs featuring Ford vehicles.
- 4) Encourage people to bring their vehicles to an event that will offer display classes, which concentrate on cleanliness, and workmanship, and classes who want to challenge concours judging.

For answers to your questions:

Mailing Address

Ford Owners' Association, Inc.
2700 Braselton Highway
Suite 10-239
Dacula, GA 30019

General Information

- Randy Church - (706) 776-7379 or rchurch@fordownersassociation.org
- Donny & Lynn Brown - brown351@hotmail.com
- Bill & Sue Howell 706-202-6940 - billydoug55@alltel.net
- Donny & Lynn Brown - 289wheels@gmail.com
- Eddie & Meghan O'Neal - 770-972-6603 - megs71wagon@bellsouth.net

Membership

- David Johnson - d68cougar@mindspring.com

Web Support

- Webmaster: Jerry Gilbert - FOAM62@verizon.net

Newsletter

- Lynn Brown - 289wheels@gmail.com
- Meghan O'Neal - 770-972-6603 - megs71wagon@bellsouth.net

www.fordowners.org



B-F-N-Series

**BIG
TRUCKS**



Conventional Cab ONLY

BRAKE HOSES

PART #	PIC	DESCRIPTION	YEAR	PRICE
C8TZ-2078-G		Brake Hose - Front - 24 3/8" Long - LH Fits: 1968-69 B500-750 1969 F500-750 w/ 14"x2 1/2" brakes	68-69	25.00 ea.
C8TZ-2078-H		Brake Hose - Front - 22 3/4" long - RH Fits: 1968-69 B500-750 w/ 15"x3" brakes 1969 F500-750 w/ 15"x3" brakes	68-69	25.00 ea.
C8TZ-2078-J		Front Brake Hose - 23 3/4" long Fits: 1968-69 B600-750 - RH or LH - w/ 15"x3" hydraulic vacuum brakes from ser.# C70,001 Fits: 1969 C600-900 - RH or LH - w/ split hydraulic vacuum brakes before ser.# F70,001 Fits: 1969 F800-950 - RH or LH - 8 cyl. engine - w/ 15"x3" split hydraulic vacuum brakes Fits: 1969 F500-750 - LH - w/ 15"x3" brakes Fits: 1968-69 N600-750 - RH or LH - w/ hydraulic vacuum brakes - from ser.# C70,001	68-69	25.00 ea.

WHEEL CYLINDER REPAIR KITS

PART #	PIC	DESCRIPTION	MODEL	YEAR	PRICE
1 KIT DOES 1 WHEEL					
C4TZ-2221-C		- Front - 1 1/8"	B-C-F-N 600 950	64-72	10.00 ea.

WIPER SWITCH BEZEL

PART #	PIC	DESCRIPTION	MODEL	YEAR	PRICE
CITF-10852-D		Wiper Switch Bezel - B. F-600/800 - C. CT 600-900		73-79 73-79	15.00 ea.

STEERING SECTOR SHAFT

PART #	PIC	DESCRIPTION	MODEL	YEAR	PRICE
C7TZ-3575-C		Steering Sector Shaft 1967-72 B500-750 1967-72 F500-750 1970-72 N500-750 - manual steering - 5, 5.5, 6, 7 front axle		67-72	150.00 ea.
D1HZ-3575-B		Steering Sector Shaft - w/ Manual Steering	L-LN-LNT -LT 800/900	71-72	200.00 ea.

STANDARD TRANSMISSION GEARS

PART #	PIC	DESCRIPTION	MODEL	YEAR	PRICE
WRITE ABOUT YOUR NEEDS FOR TRANSMISSION PARTS. WE HAVE MANY PARTS FOR THREE, FOUR & FIVE SPEED TRUCK TRANSMISSIONS.					
C4TZ-7017-A		Transmission Main Drive Shaft - 4 speed New Process 435	F600-700	64-71	100.00 ea.
C4TZ-7100-K		Transmission Low & Reverse Slide Gear - 4 speed New Process 435	F600-700	64-71	80.00 ea.
C4TZ-7113-A		Transmission Cluster Gear - 4 speed New Process 435 - I.D. number HEG, HEF, RAC, RAN, RAT tag	F600-700	64-71	180.00 ea.
C4TZ-7176-A		Transmission Output Shaft - Second Gear - 4 speed new process 435	F600-700	64-71	75.00 ea.
C4TZ-7183-B		Transmission Third & Fourth Gear Synchronizer Clutch Hub - 4 speed New Process 435	F600-700	64-71	35.00 ea.
C4TZ-7196-A		Transmission Output Shaft 3rd Speed Idler Gear - 4 speed New Process 435	F600-700	64-71	60.00 ea.

GAS TANK SENDING UNIT

D3TZ-9275-E	Gas Tank Sending Unit - w/ Gasket & Float - Stamped; C4TF-9275-T, D3TF-9275-EA or EB Used with 18 Or 30 gal. Left Side Outside Frame mounted tank. Before Serial Number C75,001	F-500 B-600-750 F-600-800 C-600-900	73-77 73-76 73-79 73-79	50.00 ea.
-------------	---	--	----------------------------------	-----------

FUEL PUMPS

PART #	PIC	DESCRIPTION	MODEL	YEAR	PRICE
C7TZ-9350-B		Fuel Pump for Diesel - 242 4 cyl., - 363 6 cyl. 1967-69 - F-B-C-N 600/700	350, 500	67-71	40.00 ea.

ENGINE INTAKE MANIFOLD

PART #	PIC	DESCRIPTION	MODEL	YEAR	PRICE
C4TZ-9424-H		Engine Intake Manifold - 8 cylinder 330, 361	F500-800	64-72	100.00 ea.

BODY REFLECTORS - AMBER

PART #	PIC	DESCRIPTION	MODEL	YEAR	PRICE
<i>All Body Reflectors fit Right & Left Sides unless otherwise specified.</i>					
C7TZ-13380-D		Grille Grille Front of Platform - Platform Front Fender L-LN-LNT-LT-LTS 500-900 Front of Platform - Platform Hood Front Side	F500-750 B500-750 C550-600 70-72 N500-600 N-NT500-100 W-WT900-1000	70 68-70 68-69 70-72 68-69 68-69 68-72	25.00 ea.

BODY REFLECTORS - RED

PART #	PIC	DESCRIPTION	MODEL	YEAR	PRICE
<i>All Body Reflectors fit Right or Left Sides</i>					
C7TZ-13380-C		Back of Cab Rear of Platform - Platform Rear of Platform - Platform Back of Cab Back of Cab Back of Platform - Platform Back of Cab	FT800-1000 F100-600 C550-600 C-CT550-600 N-NT500-1000 N500-600 W-WT 1000	68-69 68-72 68-69 68-69 68-69 68-69 68-69	25.00 ea.



FRONT FENDERS

PART #	PIC	DESCRIPTION	MODEL	YEAR	PRICE
C7TZ-16006-B		Front Fender - LH - Genuine Ford - New	F500-750	67-72	300.00 ea.

HOOD HINGE

PART #	PIC	DESCRIPTION	MODEL	YEAR	PRICE
<u>Hood Hinge</u>					
C7TZ-16796-F		- RH	F500-750	67-72	75.00 ea.
C7TZ-16797-F		- LH	F500-750	67-72	75.00 ea.

BRAKE LIGHT SWITCH

PART #	PIC	DESCRIPTION	MODEL	YEAR	PRICE
D1TZ-13480-A		Brake Light Switch - B-F500-750, CT500-1000, P350-400		68-72	10.00 ea.

ALTERNATOR TO VOLTAGE REGULATOR WIRING

PART #	PIC	DESCRIPTION	MODEL	YEAR	PRICE
D2TZ-14305-A		Alternator to Voltage Regulator Wiring - Used w/ 38, 42, 45, 55 amp. Ford Alternator - 6 cyl. 240, 300 - Used w/ 38, 42, 45, 55 amp. Ford Alternator - All 6 & 8 cyl. except Diesel - F500-750	F500-600	68 69-72	40.00 ea.

DOOR ARM REST - NO SCREWS

PART #	PIC	DESCRIPTION	MODEL	YEAR	PRICE
B9A-6424140-BL	(A)	Door Arm Rest - Black - RH	F-800-1100	67-69	25.00 ea.
B9A-6424141-BL		- Black - LH	F-800-1100	67-69	25.00 ea.



A

BACK WINDOW RUBBER SEAL

PART #	PIC	DESCRIPTION	MODEL	YEAR	PRICE
C1TB-8142084-A		Back Window Rubber - w/o wrap around glass - No Groove for Chrome	F-T800-1000 N-NT500-1000	67-69	40.00 ea.

FORD STOOLS

PART #	PIC	DESCRIPTION	YEAR	PRICE
1 Ring, with Swivel Seat, Logo on White				
401-F	(A)	Ford Stool - Blue/White		82.50 ea.
401-T	(B)	Tractor Stool - Black/Red/White		82.50 ea.
401-C	(C)	Cushman Stool - Black/Red/White		82.50 ea.



★ ★ ★ ★ ★

- Made in the U.S.A.
- Authentic Logo Design
- Sturdy Tube Steel Frames
- Durable 12 Gauge Vinyl Seat Cover



ALSO AVAILABLE
FOR CUSHMAN
AND TRACTOR



Make your 1967- 1972 Ford Pickup a Winner



Roy Howard, our restoration expert poses above with the 1967 Ford Pickup used as the model in this “how-to” demonstration story.



Kit used in the demonstration include anti-rattlers, door glass runs, and division bar glass runs. Vent window seals are not part of the kit and must be ordered separately.



Begin by removing the door and window handles, then, using the proper tool as illustrated, carefully remove the decorative door trim which is secured by small clips.



Next, unscrew the screws that hold the panel to the door frame. Then remove the arm rest with the entire door panel.



To permit easy removal of the division bar and vent window, remove the door glass from the window regulator to rest at the inside bottom of the door. Then begin unbolting the window regulator.



Now remove the window regulator.



Then remove the bolt that connects the division bar to the door frame.



Now remove the screw that holds the vent window frame to the door frame and remove the complete vent window unit and the division bar up through the window opening.



Mark the place on the division bar channel where it and the vent window channel join to note the position where they should go back together during re-assembly.



Carefully bend back the tab at the bottom of the division bar to remove the door glass run.



ON the bench, remove the screw attaching the vent window to its frame



On the bench, remove the bottom nut on the vent window pivot shaft, but take note of the number of washers and their position for correct re-assembly. Then remove the glass from the frame.



Secure the vent window frame in a vise and drill out the rivets connecting the vent window rubber channel.



Now remove the door glass run from the division bar, replace the new runner and prepare to re-assemble the entire unit by repeating steps back from this point.



When installing new division bar glass run, allow extra 1/8" beyond the top of the division bar to assure a tight fit to door frame.



After re-installing vent window and division bar and re-bolting into door frame, install new door glass runner by inserting runner down into door frame.



At this point, ensure door glass runner has a tight fit into the door frame using an appropriate tools.



Install anti-rattlers. Complete re-assembly by re-installing window regulator, door glass, door panel and hardware.



APPAREL



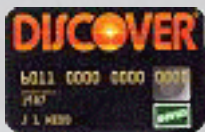
ORDER TODAY!

Call Toll Free at
1-800-476-9653

or order online at
dennis-carpenter.com

You can also fax your order
at **704-786-8180** or
mail to:

Dennis Carpenter
Ford Reproductions
4140 Concord Parkway So.
Concord, NC 28027



Free shipping offer valid only for
Hooded Jackets, Sweatshirts, Golf
Shirts, and Denim Shirts.

Hats & T-shirts do **NOT**
qualify for free shipping offer.

Dennis Carpenter Denim Shirt

The Dennis Carpenter Blue Ford Oval with the classic 1940 Convertible. This light blue denim shirts with a V-top pocket come in long or short sleeves and are 100% cotton.



DC FORD DENIM
"DCF-CC10-D" - Long Sleeve
"DCF-CC16-D" - Short Sleeve

*Only
28.00 ea.*

"DCF-J756"
FORD LOGO JACKET



Available in
S,M,L,
XL,2XL,3XL

*Only
45.00 ea.*

FREE SHIPPING!!

Dennis Carpenter Hooded Jackets

This stylish jackets are lined with 100% Nylon on the outside and a warm, comfortable cotton/polyester blend on the inside. The Ford Logo Jacket comes in NAVY only.

Dennis Carpenter All-Star Caps

Dennis Carpenter Blue Ford Oval Hats are some of the best caps around. These caps are low profile and 100% brushed cotton with a velcroed back for easy adjustment. Comes in your choice of Black or Khaki.

Only 15.00 ea.



"DCF-2917-B"
CARPENTER
FORD CAP

Choice of
Black or
Khaki



"DCF-2917"
CARPENTER
FORD CAP



Hats and T-shirts
are NOT qualified
for FREE SHIPPING.

Dennis Carpenter Sweatshirts

Official Dennis Carpenter Sweatshirts are a blend of cotton and polyester. The Ford Logo sweatshirt comes in NAVY only.

Only 30.00 ea.

FREE SHIPPING!!

"DCF-1253"
FORD LOGO
SWEATSHIRT



Available in S,M,L,
XL,2XL,3XL

Dennis Carpenter Golf Shirts

This ultra cotton heavyweight golf shirts are 99% preshrunk cotton and 1% polyester. They come with the Ford Blue Logo with car stitched over the chest.

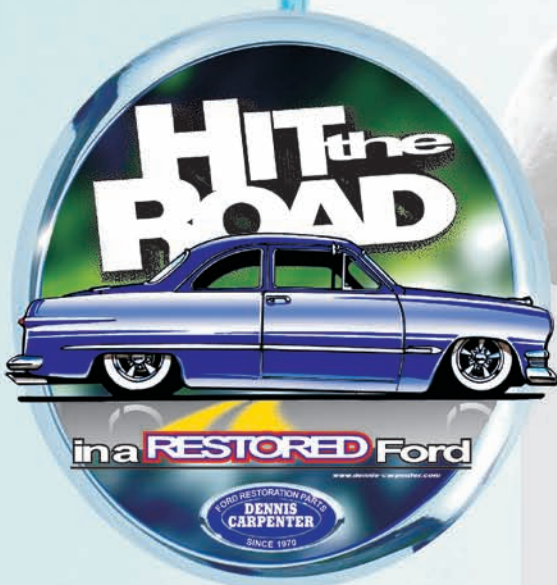
Available in S,M,L,XL,2XL,3XL *Only 22.00 ea.*



DC FORD
"DCF-3800"

NEW DC tees get one FAST

All 3 new designs screen printed on
LIGHT GRAY Gildan Activewear
heavy weight ULTRA COTTON shirts
and each has a discrete
Dennis Carpenter logo
printed on the front.



killer coupe
midnight blue '50 laid out flat

\$15.00 each
#CART-M
#CART-L
#CART-XL
#CART-XXL
#CART-XXXL

pocket size
on the front



slammed '56

midnight blue truck sweep'n the street

\$15.00 each
#TRUCKT-M
#TRUCKT-L
#TRUCKT-XL
#TRUCKT-XXL
#TRUCKT-XXXL

pocket size
on the front



TRACTOR



tractors x 2

881 and 8N rendered in True Ford colors

\$15.00 each
#TRACT-M
#TRACT-L
#TRACT-XL
#TRACT-XXL
#TRACT-XXXL

pocket size
on the front



DENNIS CARPENTER
FORD TRACTOR RESTORATION PARTS





A

Accelerator Cables 41
 Accelerator Pedal 41
 Air Cleaner..... 41
 Air Cleaner Decals..... 115
 Air Conditioner Parts 68 69
 Air Conditioner Register 45
 Air Control Cable 69
 Air Vent Gasket..... 70
 Alternator Related Parts 47
 Antenna 75
 Anti-Rattlers..... 79
 Anti-Rattler Kit 79
 Arm Rest..... 85
 Arm Rest Finger Cups 85
 Ashtray Door Bumpers 43
 Aux. Fuel Bezel 43
 Axle Bearings 11
 Axle Bumpers 16
 Axle Pivot Bushing Kit 17
 Axle Pivot Bushings..... 17
 Axle Seals..... 11

B

Back Belt Moulding..... 112
 Bearing Adjustment Nut..... 10
 Bed Race Track Moldings..... 108
 Bed Side Repair Panel 88
 Bedside Wheel Opening
 Moulding..... 112
 Bed Strips 98
 Back-Up Light Switch 57
 Back Window Rubber 76
 Ball Joint..... 16
 Battery Tray Parts..... 47
 Bed Board End Cap Strip 99
 Bed Parts - Stepside..... 97
 Bed Rails 95
 Bed Side & Related 97
 Bed Side - Stepside..... 97
 Bed Side Nameplates..... 65
 Bed Strips 98
 Bed Tie Down Hooks 95
 Bed Top Side Rail Kit..... 95
 Bed To Frame Bolt..... 99
 Big Truck..... 164 165
 Big Truck Parts 165

Body Pillar Seal..... 61
 Body Rubber Plugs..... 70
 Body Side Reflectors 53
 Books 118
 Brake Adjusting Hole Cover..... 13
 Brake Adjusting Spring 13
 Brake Arm Bushing..... 14
 Brake Cable..... 14
 Brake Cable & Housing - Front 14
 Brake Cable - Rear..... 14
 Brake Cable To Floor Seal..... 14
 Brake Drum 11
 Brake Hoses..... 13
 Brake Master Cylinder
 Assembly 13
 Brake Pedal Bumper 14, 31
 Brake Pedal Pad..... 14, 122
 Brake Shoe..... 12
 Brake Shoe & Lining..... 12
 Brake Warning Light 43, 45
 Bulb
 Side Marker..... 42 45
 Bulbs
 Instrument Panel..... 42 45
 Bulbs 119
 Bulbs
 Headlight..... 51
 Bumper 72
 Bumper Bolts..... 73
 Bumper Guard..... 72
 Bumper Stickers 119

C

Cab Corner..... 88
 Cab Corner And Door Race
 Track Moldings 109
 Cab Corner, Door & Front
 Fender Rocker Moldings ... 110
 Cab Mount Inspection Plate 89
 Cab Mounts 89
 Cab To Frame Mounting Kit..... 22
 Canceling Cam 49
 Carburetor Parts..... 40
 Carburetor Related Parts..... 40
 Carburetor Repair Kits..... 40
 Cargo Bezel..... 43
 Cargo Lamp..... 57
 Carpet..... 87
 Choke Cable..... 41
 Chrome Vent Shades 71
 Cigar Lighter..... 42 44
 Cluster Backing Plate 45
 Cluster Lens 45
 Clutch Arm Bushing..... 14
 Clutch Boots 31
 Clutch Parts..... 31
 Clutch Pedal Bumper..... 14 31

Clutch Pedal Pad..... 14
 Clutch Release Lever Rod..... 31
 Clutch Seals 31
 Coat Hanger Hook..... 86
 Coil 49
 Coil Spring Plate..... 16
 Column Shifter Parts 29
 Condensor 48
 Connecting Rod..... 24
 Cotter Pin 10
 Cowl Side Air Vent Gasket..... 70
 Cowl Side Name Plate..... 64
 Crankcase Ventilator Parts 25
 Crankshaft Parts..... 24
 Crankshaft Pulley 24
 Cylinder Head..... 24
 Cylinder Head Assembly 24

D

Dash Bezels 43 45
 Dash Pads..... 75
 Dash Wiring Clips..... 24
 Day/Night Mirror 71
 Decals..... 115 117
 Differential Housing Gasket..... 11
 Differential Pinion Seal 11
 Differential Ring Gear 11
 Dimmer Switch 56
 Dip Stick Tube 26
 Distributor Cap..... 48
 Distributor Parts..... 48
 Division Bar Glass Run..... 79
 Dome Light Parts..... 56
 Door 83
 Door Components 81 85
 Door Glass Lift Channel 81
 Door Glass Run..... 79
 Door Lock Key Blank 20
 Door Mouldings 107
 Door Outer Skin..... 88
 Door / Window Anti-Rattlers 79
 Door Arm Rest..... 85
 Door Components 79 83
 Door Glass Anti-Rattlers 79
 Door Handles..... 82
 Door Handle Cup..... 82
 Door Hinge Pin 83
 Door Lock Components..... 83
 Door Lock Cylinders & Keys.... 83
 Door Lock Knobs..... 83
 Door Panels..... 84
 Door Parts 83 83 86
 Door Scuff Plates..... 87
 Door Seal Kit 78
 Drag Link Assembly..... 18
 Drain Cocks..... 32
 Drain Plug - Oil Pan..... 26

Drip Rail Moulding	113
Drum Brake Hardware Kit.....	12
Dust Caps - Hub	10

E

Egr Valve	40
Electronic Ignition System	49
Emblems	
Bed Side Nameplates	65
Cowl Side Name Plate	64
Front Fender Name Plate	64
Glove Box	75
Grille	37
Grille Letters	36
Hood	59
Hood Letters.....	59
Hood Ornaments	60
Horn Buttons	21
Hub Cap	9
Name Plates.....	64 65
Emission Decals	117
Engine Compartment Decals..	116
Engine Lamp Assembly	25 57
Engine Parts.....	24
Exhaust Deflectors	71
EXhaust Recirculation	
Vacuum Valve	40
Exterior Rubber	76 77

F

Fan Shroud.....	33 35
Fender	60 62
Fender Bolts	62
Fender Seals	61
Fender Splash Shield	61
Fender Welt.....	62
Finger Cups.....	85
Firewall Cover & Clips	70
Firewall To Hood Seal.....	59
Flasher.....	49
Flasher Switch.....	43
Floor Carpet.....	87
Floor Mats.....	87
Floor Pan	89
Floor Seal	
Brake Cable.....	14
Clutch Rod	31
Steering Column.....	18
Floor Shift Boot Retainer	30
Flywheel	24
Flywheel Ring Gear.....	24
Frame Pad Kit	
Cab	22
Radiator	32

Front Axle Bumpers.....	16
Front Body Pillar Seal.....	61
Front Brake Cable	14
Front Brake Hoses.....	13
Front Bumper.....	72
Front Cab Mounts.....	89
Front Fender Mouldings	107
Front Fender Race Track	
Moldings	109
Front Fenders.....	60
Front Fender Name Plate	64
Front Fender Seals.....	61
Front Fender Splash Shield.....	61
Front Fender Wheel Opening	
Moulding	112
Front Floor Mat.....	87
Front Floor Pan.....	89
Front Hub Bolt	10
Front Hub Dust Cap.....	10
Front Inner Fender.....	61
Front Spindle	16
Front Stabilizer Bar.....	22
Front Wheel BeAring & Races	10
Front Wheel Cylinder.....	12
Front Wheel Seals.....	10
Front Windshield Rubber.....	76
Fuel Pump	40
Fuel Tanks	38
Fuel Tank Filler Pipe Parts.....	39
Fuel Tank Sending Unit	39
Fuel Tank Slushing Compound	38

G

Gas Caps.....	38
Gas Pedal.....	41
Gas Tanks.....	38
Gas Tank Door Parts	38
Gas Tank Filler Pipe Parts	39
Gas Tank Related Parts.....	39
Gas Tank Selector Parts	39
Gas Tank Sending Unit.....	39
Gas Tank Slushing Compound	38
Gear Shift Knob	29
Gear Shift Lever Pin	29
Gear Shift Lever Boot.....	30
Glass Run.....	79
Glass Tape.....	81
Glove Box	75
Glove Box Key Blank.....	20
Glue	77
Grilles	36
Grille Letters	36
Grille Emblem.....	37
Grille Plastic Inserts.....	36

H

Harmonic Balancer	24
Head Lamp Bezel	42
Headlight	50 51
67-69	50
70-72	50
73-79	51 135
78-79	51 135
Headlight Dimmer Switch	56
Headlight Switch.....	42 44
Headliners	88
Heater Cables.....	69
Heater Hose	69
Heater Parts	68 69
Heater & A/C Parts	68 69
Heat Shields - Radiator	32
Hood Hinge.....	58
Hood Latch / Lock.....	58
Hood LeTters.....	59
Hood Lip Moulding.....	59
Hood Ornaments	60
Hood Parts.....	58 60
Hood Side Nameplate	59
Horn Bar	21
Horn Bar Pad & Switch.....	21
Horn Buttons.....	21
Horn Pad	21
Horn Relay.....	20
Horn Ring	20 21
Horn Ring Parts	20 21
Hoses	
Brake	13
Heater	69
Radiator	32
Hub And Rotor Assembly.....	10
Hub Bolt.....	10 11
Hub Bolts	10 11
Hub Caps.....	9
Hub Cap Emblems	9
Hub Dust Cap	10
Hub Dust Caps	10

I

Ignition Coil.....	49
Ignition Condensor	48
Ignition Cylinder Assembly	83
Ignition Key Blank.....	20
Ignition Points.....	48
Ignition Rotor	48
Ignition Switch	42-44
Ignition Tune-Up Kit.....	48
Inner Door Bottom Panel	88
Inner Fender.....	61
Inner Fender Seals.....	61
Inner Tie Rod Ends.....	16
Inside Door Handles	82

Inside Door Handle Cup 82
 Inside Rear View Mirror 71
 Inside Wheelhouse Panel..... 89
 Inside Window Crank..... 81
 Inspection Plate - Cab Mount.. 89
 Instrument Cluster Bezels 43
 Instrument Cluster Lens 45
 Instrument Cluster
 Related Parts..... 43-45
 Instrument Panel
 Lamp & Bulb 42-45
 Interior Decals 117
 Interior Light..... 56

J

Jack Instruction Decals..... 117

K

Key Blanks..... 20
 Key Chains 20
 Key Sets 83
 King Pin Bolt Set..... 16
 Knobs
 Radio 74
 Wiper..... 74

L

License Plate Bolts 119
 License Plate Light Assembly.. 56
 Lift Channel 81
 Lifter 24
 Light Bulbs..... 119
 Literature 118
 Locking Gas Cap 38
 Lock Knobs..... 83
 Lower Steering Column Bearing 18
 Lug Nut Protectors..... 10

M

Magnetic Signs 119
 Manuals 118
 Master Cylinder Assembly 13
 Master Cylinder Repair Kits..... 13
 Mat - Trunk 87
 Metal Patch Panels..... 88-89
 Metal Repair Panels 88-89
 Moldings - 66-77
 Front Fender..... 107, 108, 109
 Motor Mount 24
 Motor Mounts..... 25
 Moulding Kit - Back Window.... 76
 Moulding Retainers
 78-79 158-159
 Mouldings 106-114
 68-72 102-03
 1967 100-101

Tailgate..... 91
 Mouldings - 68-72..... 102-105
 Mouldings - 73-79..... 106-114
 Mouldings - 1967 100-101
 Mouldings - Racetrak..... 108-109
 Moulding Kit - Quarter Window 86
 Moulding Kit - Windshield..... 76

N

Nameplates 59, 64, 65
 Neutral Safety Switch 28
 Neutral Switch Control Pin..... 28

O

Oil Dip Stick Tube 26
 Oil Filler Cap..... 26
 Oil Filters 26
 Oil Pan..... 26
 Oil Pressure Sending Unit 26
 Oil Pump..... 26
 Outer Rocker Panel Patch..... 88
 Outer Skin - Door..... 88
 Outer Tie Rod Ends 16
 Outside Door Handles 82
 Outside Mouldings..... 106,114
 Outside Rear View Mirror 71
 Overdrive Cable..... 30
 Overdrive Cable Assembly 30

P

Padded Sunvisor 74
 Park Brake Cable To Floor Seal 14
 Parking Brake Pedal Pad 14
 Parklight Socket..... 53
 Park Brake Cable Clip 14
 Park Light 52, 53
 Patch Panels 88, 89
 Pedal Pad
 Clutch 14
 Parking Brake..... 14
 Pinion Seal 11
 Plastic Valve Stem..... 9
 Plug Gasket - Oil Pan 26
 Points 48
 Power Steering 19
 Power Steering Box Seal Kit ... 19
 Power Steering Control Valve.. 19
 Push Rod..... 24
 Pvc Valve..... 25

Q

Quarter Window Seal 86

R

Racetrak Mouldings..... 108,109

Bedside..... 108
 Door 109
 Fender..... 109
 Radiator Cap 32
 Radiator Core Support..... 32
 Radiator Frame Pad Kit..... 32
 Radiator Hose & Clamps..... 32
 Radiator Drain Cocks 32
 Radio Antenna 75
 Radio Knobs & Speaker Wire.. 74
 Radius Rod..... 17-18
 Rear Axle Bearings..... 11
 Rear Axle Bumpers..... 16
 Rear Axle Seals 11
 Rear Bed Side Marker Lights .. 57
 Rear Brake Adjusting Spring ... 13
 Rear Brake Cable 14
 Rear Brake Drum..... 11
 Rear Brake Hoses 13
 Rear Brake Shoes 12
 Rear Bumper 73
 Rear Cab Mouldings..... 112
 Rear Fender 62
 Rear Fender Bolts 62
 Rear Hub Bolt..... 10
 Rear License Plate Light
 Assembly 56
 Rear Spring Shackle Kit 23
 Rear View Mirror..... 71
 Rear Wheel Cylinder
 Repair Kits..... 12
 Rear Wheel Cylinders..... 12
 Rear Wheel Opening
 Splash Shield..... 89
 Rear Window Rubber 76
 Reflector Assembly..... 53
 Repair Panels 88,89
 Reservoir - Wiper..... 67
 Ring Gear - Fly Wheel..... 24
 Ring Gear And Pinion Set..... 11
 Rocker Arm..... 24
 Rocker Mouldings..... 110-111
 Rocker Moulding Sets 111
 Rocker Panel Patch..... 88
 Roof Drip Rail Moulding..... 113
 Rotor 48
 Rotor & Hub Assembly 10
 Rotor Seals..... 10
 Rubber Plugs..... 70

S

Scuff Plates 87
 Seat Parts..... 86
 Sector Shaft Seal Kit 19
 Sheet Metal Repair Panels. 88-89
 Shifter Boot..... 30
 Shifter Lever Socket 29

Shifter PinS..... 28
 Shift Boot Retainer 30
 Shift Indicator..... 28
 Shift Indicator Cover..... 28
 Shift Indicator Cover 28
 Shift Indicator Pointer 28
 Shift Modulator 29
 Shock Absorbers 22,71
 Shrouds 33-35
 Side Marker Lights..... 57
 Side Of Hood Nameplate..... 59
 Side Rail Kit..... 95
 Side Window Seals - Bronco... 78
 Signal Canceling Cam..... 49
 Signal Flasher..... 49
 Signal Lever..... 49
 Signal Switch..... 49
 Socket & Wiring..... 53
 Solid State Electronic
 Ignition System..... 49
 Spark Plug Wire Set..... 48
 Speedometer Cable..... 62
 Spindle Assembly 16
 Spindle Bolt Set..... 16
 Splash Shield - Rear
 Wheel Opening..... 89
 Spring Plate..... 16
 Spring Shackle Kit 23
 Stabilizer Bar 22
 Starter Solenoid..... 47
 Steering 18-20
 Steering Box Seal Kit..... 19
 Steering Column..... 18-19
 Steering Column Bearing 18
 Steering Drag Link Assembly .. 18
 Steering Gear
 Sector Shaft Screw..... 18
 Steering Shaft Coupling..... 18
 Steering Wheel 20
 Stepside Rear Fender Bolts 62
 Stepside Tailgate 96
 Striker Plate..... 83
 Style Side Tailgate 90-93
 Sunvisor Parts 74
 Anchor Pin & Boot Tip..... 74
 Arm & Bracket..... 74
 Switches
 Back-Up Light..... 57
 Flasher 43
 Gas Tank Selector 39
 Headlight..... 42-44
 Headlight Dimmer..... 56
 Horn Relay 20
 Ignition 42-44
 Neutral Safety Switch 28
 Oil Pressure Sending Unit..... 26
 Starter Solenoid..... 47

Temp. Sending Unit 47
 Temperature Control Switch..... 37
 Turn Signal..... 49
 Wiper Switch..... 43-44, 66

T

Tailgate - 67-72..... 90-91
 Finish Panel..... 91
 Hinge & Supports..... 90
 Latch..... 90
 Mouldings 91
 Moulding Retainers..... 91
 Release Lever..... 90
 Tailgate - 73-79..... 92
 Finish Panel..... 93
 Hinge & Supports..... 92
 Moulding 93
 Moulding Retainers..... 93
 Name Plate 95
 Release Lever..... 92
 Tailgate - Stepside 96
 Tailgate Bumpers..... 94
 Tailgate Chains - Stepside..... 96
 Tailgate Hinges - Stepside..... 96
 Tailgate Latch - Stepside 96
 Tailgate Mouldings..... 91-92
 Tailgate Parts..... 90-98
 Taillight..... 54-55
 Taillight Lens Rims..... 54
 Taillight Socket..... 53
 Taillight Wire & Socket..... 54
 Taillight Wire 54
 Temperature Control Cable 69
 Temperature Control Switch 37
 Temperature Regulator Valve. 69
 Temperature Sending Unit..... 47
 Thermostats..... 37
 Throttle Cable Assembly..... 41
 Tie Down Hooks 95
 Tie Rod Ends..... 16
 Transfer Case Gear Shift
 Lever Boot..... 30
 Transmission Control Selector
 Lever Socket..... 29
 Transmission Gear Shift 29
 Truck Mouldings 100-105
 Tune-Up Kit 48
 Turn Signal Canceling Cam..... 49
 Turn Signal Flasher 49
 Turn Signal Lever 49
 Turn Signal Parts..... 49
 Turn Signal Switch..... 49

U

Universal Motor Mounts..... 25
 Universal Type Hood Ornament 60

Upper Bed Side Repair Panel . 88
 Upper Ball Joint..... 16
 Upper Door Seal..... 78
 Upper Steering Column Bearing 18

V

Vacuum Advance..... 48
 Valve Cover Decals 116
 Valve Cover Gasket..... 24
 Valve Related Parts 24
 Valve Stem 9
 Vent Shades 71
 Vent Window..... 80
 Visor Anchor Pin 74

W

Washer Pump 66
 Water Pumps 37
 Weatherstrip Glue..... 77
 Wheel Cylinder Assemblies 12
 Wheel Cylinder Repair Kits..... 12
 Wheel Cylinders 12
 Wheelhouse Panel 89
 Wheel Bearings 10
 Wheel Opening Moulding 112
 Wheel Opening Mouldings 112
 Wheel Seals 10
 Window Anti-Rattlers 79
 Window Anti-Rattler Kit..... 79
 Window Crank 81
 Window Crank Handle
 Knobs - Inside..... 81
 Window Lift Channel..... 81
 Window Regulator 81
 Window Vent Shades 71
 Windshield Chrome Mouldings 76
 Windshield Rubber 76
 Windshield Washer Parts 66
 Windshield Washer Pump 66
 Wiper Arm & Blades 67
 Wiper Motor 66
 Wiper Pivot Parts..... 67
 Wiper Reservoir..... 67
 Wiper Switch..... 43
 Wiper Washer Bezel 43
 Wiper Switch..... 44,66
 Wire Loom Clips 57
 Wiring Clips 57

**78-79
BRONCO
INDEX**



Air Cleaner 131
 Air Conditioner Parts 142
 Air ConditioNer Register 133
 Air Control Cable..... 143
 Alternator Related Parts 134
 Alternator To Voltage
 Regulator Wiring..... 165
 Antenna 146
 Anti-Rattler Kit 151
 Arm Rest 149
 Arm Rest Finger Cups..... 149
 Axle Bearings..... 120
 Axle Bumpers..... 122
 Axle Seals..... 120
 Back Window Rubber Seal 165
 Ball Joint 122
 Battery Tray Parts 134
 Bearing Adjustment Nut 120
 Bed Side Repair Panel..... 154
 B-F-N Series Parts..... 165
 Body Reflectors..... 165
 Body Rubber Plugs 144
 Brake Adjusting Hole Cover..... 121
 Brake Adjusting Spring..... 121
 Brake Arm Bushing..... 122
 Brake Cable To Floor Seal..... 122
 Brake Drum 120
 Brake Hoses 120,164
 Brake Light Switch 165
 Brake Master Cylinder Assembly 121
 Brake Pedal Bumper 122,127

Brake Shoe 120
 Brake Shoe & Lining 120
 Bulbs
 Headlight 135
 Bumper..... 145
 Bumper Bolts 145
 Bumper Guard..... 145
 Cab Mount Inspection Plate 154
 Cab Mounts 154
 Canceling Cam 134
 Carburetor Repair Kits 131
 Chrome Vent Shades..... 144
 Cigar Lighter 132
 Cluster Backing Plate 133
 Cluster Lens 133
 Clutch Arm BusHing..... 122
 Clutch Boots..... 127
 Clutch Parts 127
 Clutch Pedal Bumper 122,127
 Clutch Pedal Pad 122
 Clutch Seals..... 127
 Coat Hanger Hook..... 153
 Coil Spring Plate 122
 Column Shifter Parts 127
 Cowl Side Name Plate 136
 Dash Bezels..... 133
 Dash Pads 146
 Day/Night Mirror 144
 Differential Housing Gasket 121
 Differential Pinion Seal..... 121
 Differential Ring Gear..... 121
 Dimmer Switch 135
 Division Bar Glass Run..... 151
 Door 152
 Door Arm Rest..... 149,165
 Door Components 151,155
 Door Glass Anti-Rattlers..... 151
 Door Glass Lift Channel 151
 Door Glass Run 151
 Door Handles 152
 Door Lock Components 152
 Door Lock Cylinders & Keys ... 152
 Door Lock Key Blank 124
 Door Lock Knobs..... 152
 Door Outer Skin 154
 Door Panels 148-149
 Door Scuff Plates 153
 Door Seal Kit..... 148
 Drain Cocks..... 128
 Drain Plug - Oil Pan..... 125
 Drip Rail Moulding 162
 Drum Brake Hardware Kit..... 121
 Emblems
 Cowl Side Name Plate..... 136
 Glove Box 147
 Hood Letters..... 137

Name Plates..... 136,137
 Engine Compartment Decals..... 162
 Engine Intake ManifoLd 165
 Exhaust Deflectors 145
 Fender..... 138,140
 Fender Splash Shield..... 138
 Finger Cups 149
 Firewall Cover & Clips 144
 Firewall To Hood Seal 137
 Flasher 134
 Floor Pan 154
 Floor Seal
 Brake Cable 122
 Clutch Rod..... 127
 Front Shift Boot Retainer 127
 Front Axle Bumpers..... 122
 Front Brake Drum Seal 120
 Front Brake Hoses..... 120
 Front Bumper 145
 Front Cab Mounts 154
 Front Fenders 138,165
 Front Fender Side Marker Lights 136
 Front Fender Splash Shield 138
 Front Floor Pan 154
 Front Spindle..... 122
 Front Stabilizer Bar..... 125
 Front Wheel Bearing & Races .. 120
 Front Wheel Seals 120
 Front Windshield Rubber..... 146
 Fuel Pump 131
 Fuel Pumps..... 165
 Fuel Tank Filler Pipe Parts..... 130
 Fuel Tank Sending Unit 130
 Fuel Tank Slushing Compound. 130
 Gas Caps..... 130
 Gas Pedal..... 132
 Gas Tank Door Parts 130
 Gas Tank Filler Pipe Parts..... 130
 Gas Tanks..... 130
 Gas Tank Sending Unit 130
 Gas Tank Slushing Compound.. 130
 Gear Shift Knob 126
 Gear Shift Lever Boot 127
 Gear Shift Lever Insulator..... 126
 Gear Shift LEver Pin..... 126
 Glass Run 151
 Glass Tape..... 151
 Glove Box 147
 Glove Box Key Blank 124
 Glue 148
 Grille Plastic Inserts 129
 Headlight Dimmer Switch..... 135
 Headlight Switch..... 132
 Headliners 153
 Heater & A/C Parts 142
 Heater Cables 143

Heater Hose.....	143	Moulding Set - 78-79	159	Shifter Lever Socket.....	126
Heater Parts	142	Neutral Safety Switch	126	Shifter Pins.....	126
Heat Shields - Radiator	128	Oil Filters	125	Shift Indicator Cover.....	126
Hood Hinge	137	Oil Pan.....	125	Shock Absorbers	125
Hood Latch / Lock	137	Oil Pressure Sending Unit.....	125	Side Marker Lights.....	136
Hood Letters.....	137	Outer Rocker Panel Patch	154	Side Window Seals - Bronco	157
Hood Ornaments	137	Outer Skin - Door.....	154	Signal Canceling Cam.....	134
Hood Parts.....	137-139	Outside Door Handles	152	Signal Flasher.....	134
Horn Bar.....	124	Outside Rear View Mirror	144	Signal Lever	134
Horn Bar Pad & Switch.....	124	Padded Sunvisor.....	147	Signal Switch	134
Horn Pad.....	124	Park Brake Cable To Floor Seal	122	Socket & Wiring	135
Hoses		Parking Brake Pedal.....	122	Spare Tire Carrier.....	156
Brake	120	Parklight Socket.....	135	-Speedometer Cable	139
Heater	143	Patch Panels	154-155	Spindle Assembly.....	122
Hub BOLT.....	120	Pedal Pad		Splash Shield	
Hub Bolts	120	Clutch	122	- Rear Wheel Opening.....	155
Ignition Cylinder Assembly	152	Parking Brake.....	122	Spring Plate	122
Ignition Key Blank.....	124	Pinion Seal	121	Spring Shackle Kit	125
Ignition Switch.....	132	Plastic Valve Stem	120	Stabilizer Bar.....	125
Inner Door Bottom Panel	154	Plug Gasket - Oil Pan.....	125	Standard Transmission Gears....	164
Inside Door Handles.....	152	Power Steering	123	Starter Solenoid.....	134
Inside Rear View Mirror	144	Power Steering Box Seal Kit....	123	Steering	123-125
Inside Window Crank	150	Race Track Style Mouldings	160-161	Steering Box Seal Kit.....	123
Inspection Plate - Cab Mount....	154	Radiator Cap.....	128	Steering Column.....	123-124
Instrument Cluster Lens	133	Radiator Core Support.....	128	Steering Gear Sector	
Instrument Cluster Related Parts	133	Radiator Drain Cocks.....	128	Shaft Screw	123
Instrument Panel Lamp & Bulb	133	Radio Antenna.....	146	Steering Sector Shaft.....	164
Interior Light	136	Radio Knobs & Speaker Wire...	146	Steering Shaft Coupling	123
Key Blanks	124	Rear Axle Bumpers	122	Steering Wheel.....	124
Key Chains	124	Rear Bed Side Marker Lights....	136	Striker Plate.....	152
Key Sets	152	Rear Brake Adjusting Spring	121	Sunvisor Parts.....	147
Knobs		Rear Brake Drum	120	Anchor Pin & Boot Tip.....	147
Radio	146	Rear Brake Hoses.....	120	Arm & Bracket.....	147
Wiper.....	146	Rear Brake Shoes	120	Switches	
Latch Parts.....	156	Rear Bumper	145	Headlight	132
License Plate Light Assembly...	136	Rear License Plate		Headlight Dimmer.....	135
LiFt Channel.....	151	Light Assembly	136	Ignition	132
Locking Gas Cap.....	130	Rear Spring Shackle Kit.....	125	Neutral Safety Switch.....	126
Lock Knobs	152	Rear View Mirror.....	144	Oil Pressure Sending Unit.....	125
Master Cylinder Assembly.....	121	Rear Wheel Cylinders	121	Starter Solenoid.....	134
Master Cylinder Repair Kits	121	Rear Wheel Opening		Temperature Control Switch..	129
Metal Patch Panels	154-155	Splash Shield.....	155	Temp. Sending Unit	134
Metal Repair Panels	154-155	Removeable Roof Seals	156	Turn Signal	134
Moldings - 78-79		Repair Panels.....	154-155	Wiper Switch.....	140
Front Fender	159	Reservoir - Wiper.....	141	Tailgate.....	156-158
Race Track Style	160-161	Ring Gear And Pinion Set.....	121	Tailgate - 73-79	
Tailgate.....	158	Rocker Panel Patch	154	Name Plate	155
Upper Bed Side	158	Roof Drip Rail Moulding	161	Tailgate - Bronco	
Upper Front Door	159	Roof Panel Seals	156	Back Window Glass Run	156
Moldings - Bronco	158-161	Rubber Plugs	144	Tailgate Scuff Plate - Bronco....	155
Moulding Kit - Back Window...	148	Scuff Plates.....	153	Taillight Lens Rims.....	135
Moulding Kit - Quarter Window	157	Seat Parts.....	153	Taillight Socket	135
Moulding Kit - Windshield	146	Sector Shaft Seal Kit.....	123	Temperature Control Cable.....	143
Mouldings		Sheet Metal Repair Panels	154-155	Temperature Control Switch....	129
Roof Drip Rail.....	161	Shift Boot Retainer.....	127	Temperature Sending Unit	134
		Shifter Boot.....	127	Thermostats	129

Throttle Cable Assembly.....	132
Tire Carrier.....	156
Transfer Case Gear Shift Lever Boot.....	127
Transmission Control Selector Lever Socket	126
Transmission Gear Shift.....	126
Turn Signal Canceling Cam.....	134
Turn Signal Flasher.....	134
Turn Signal Lever	134
Turn Signal Parts.....	134
Turn Signal Switch.....	134
Universal Type Hood Ornament	137
Upper Ball Joint	122
Upper Bed Side REpair Panel...	154
Upper Door Seal.....	148
Upper Door Seal.....	151
Upper Steering Column Bearing	123
Valve Cover Decals.....	162
Valve Stem.....	120
Vent Shades.....	144
Vent Window	150
Visor Anchor Pin.....	147
Washer Pump	140
Water Pumps	129
Weatherstrip Glue	148
Wheel Cylinder Repair Kits	121,164
Wheel Cylinders.....	121
Window Anti-Rattler Kit.....	151
Window Crank	150
Window Regulator	151
Window Vent Shades.....	144
Windshield Chrome Mouldings	146
Windshield Rubber.....	146
Windshield Washer Parts	140
Windshield Washer Pump	140
Wiper Arm & Blades	141
Wiper Motor.....	140
Wiper Pivot Parts	141
Wiper Reservoir	141
Wiper Switch.....	140

