

ROCK SHOX

POWERED BY SRAM™



(english) Spare parts catalog

---

## **SRAM ORIGINAL PARTS**

### **CAUTION:**

The SRAM Warranty policy does not cover damages caused by the use of non-SRAM parts.

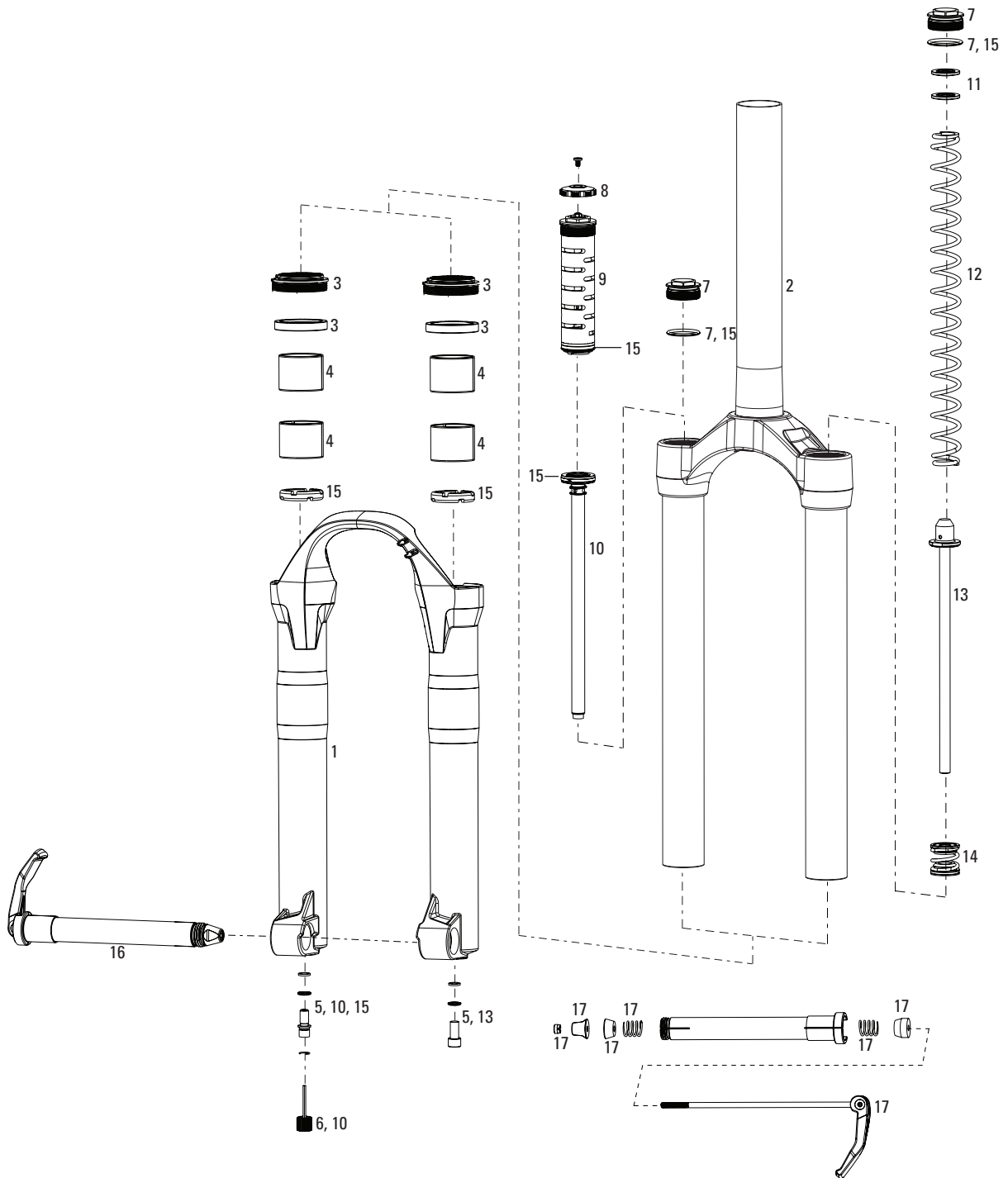
Use only SRAM parts with SRAM components.

Installation of parts and accessories not originally intended could result in less than optimal performance and/or injury.

For in-depth service information on SRAM products, refer to our website at [www.sram.com](http://www.sram.com). Contact your local SRAM distributor or dealer for ordering information.

Information contained in this publication is subject to change at any time without prior notice. Your product's appearance may vary from the diagrams contained in this catalog.





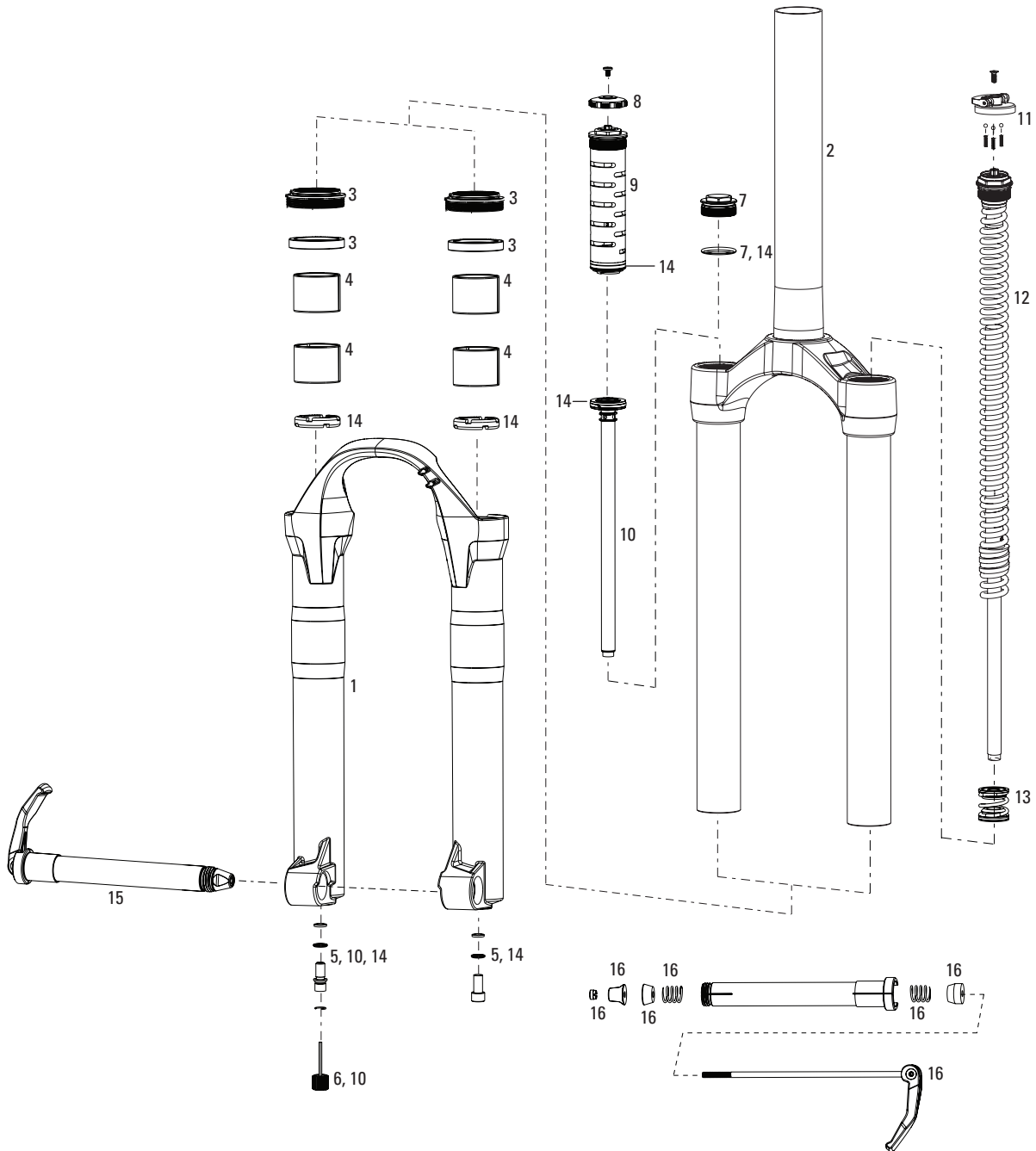
R L

**Note:**

1. All service kits include any and all replaceable o-rings, retaining rings, crush washers, crush washer retainers, and shaft bolts/nuts. Air service kits include schrader valve(s).
2. Rebound damper and spring shaft kits include crush washers, crush washer retainers and shaft bolts, as well as upper tube retaining rings and rebound adjuster knob.
3. Damper side = rider's right. Spring side = rider's left.
4. Domain 302 features rebound damping only. Use Domain top cap kit.
5. Domain 318 features compression and rebound damping. Use Domain compression damper and adjuster knob.
6. 1.5" steerer tube pictured.
7. All lower legs include bottom-out bumpers, bushings, foam rings and dust seals installed.



No.	Part Number	Description
1	11.4015.070.000	Domain/Lyrik Lower Leg Diffusion Black (decals not included)
1	11.4015.071.000	Domain/Lyrik Lower Leg Diffusion Silver (decals not included)
1	11.4015.214.000	Domain/Lyrik Lower Leg PunishMint (decals not included)
1	11.4015.224.000	Domain/Lyrik Lower Leg White (decals not included)
2	11.4015.052.000	Domain CSU Black Ano Crown AL Str 1.5"
2	11.4015.053.000	Domain CSU Black Ano Crown AL Str 1 1/8"
3	11.4015.067.000	Domain/Lyrik Dust Seal/Oil Seal Kit
4	11.4015.065.000	Domain/Lyrik Bushing Kit
5	11.4310.465.000	Fork Shaft Bolt Kit
6	11.4015.074.000	Domain/Lyrik/Totem External Rebound Adjuster Knob
7	11.4015.049.000	Domain Top Cap Kit (L/R)
8 UPDATED	11.4015.050.000	Domain/Lyrik/Totem Motion Control IS Compression Damper Adjuster Knob
9	11.4015.051.000	Domain Motion Control IS Compression Damper
10	11.4015.057.000	Domain Rebound Damper Kit
11	11.4015.043.000	Domain Spring PreLoad Spacers qty 2
12	11.4015.179.000	Domain Spring Single X-Soft
12	11.4015.047.000	Domain Spring Single Soft
12	11.4015.046.000	Domain Spring Single Med
12	11.4015.045.000	Domain Spring Single Firm
12	11.4015.048.000	Domain Spring Single X-Firm
13	11.4015.044.000	Domain Spring Shaft Assy 180mm
13	11.4015.044.010	Domain Spring Shaft Assy 160mm
14	11.4015.056.000	Domain Coil Topout Spring Assy
15	11.4015.054.000	Domain Damper Service Kit (comp/Rebound) (includes bottom out bumpers)
16	11.4015.076.000	Domain/Lyrik/Totem Maxle Kit
17	11.4015.075.000	Domain/Lyrik/Totem Maxle Axle/Wedge Kit
ns	11.4015.055.000	Domain Decal Kit
ns	11.4015.205.000	Domain/Lyrik Upper Tube/Spring Sleeve
ns	11.4309.073.000	Kit Disk Brake Cable Accessory
bulk	11.4015.259.000	Crush Washer 8mm, Qty 50
bulk	11.4015.260.000	Crush Washer Retainer, Qty 50
bulk	11.4015.068.000	Domain/Lyrik Lower Bushing Qty 20
bulk	11.4015.073.000	Domain/Lyrik Upper Bushing Qty 20
bulk	11.4015.066.000	Domain/Lyrik Dust Seal Qty 20
bulk	11.4015.200.000	Lyrik/Domain Oil Seal Qty 20
tacklebox	11.4015.157.000	Totem/Lyrik/Domain Tacklebox Parts Kit
tacklebox	11.4015.216.000	Totem/Lyrik/Domain Seal/Bushing Tacklebox Parts Kit

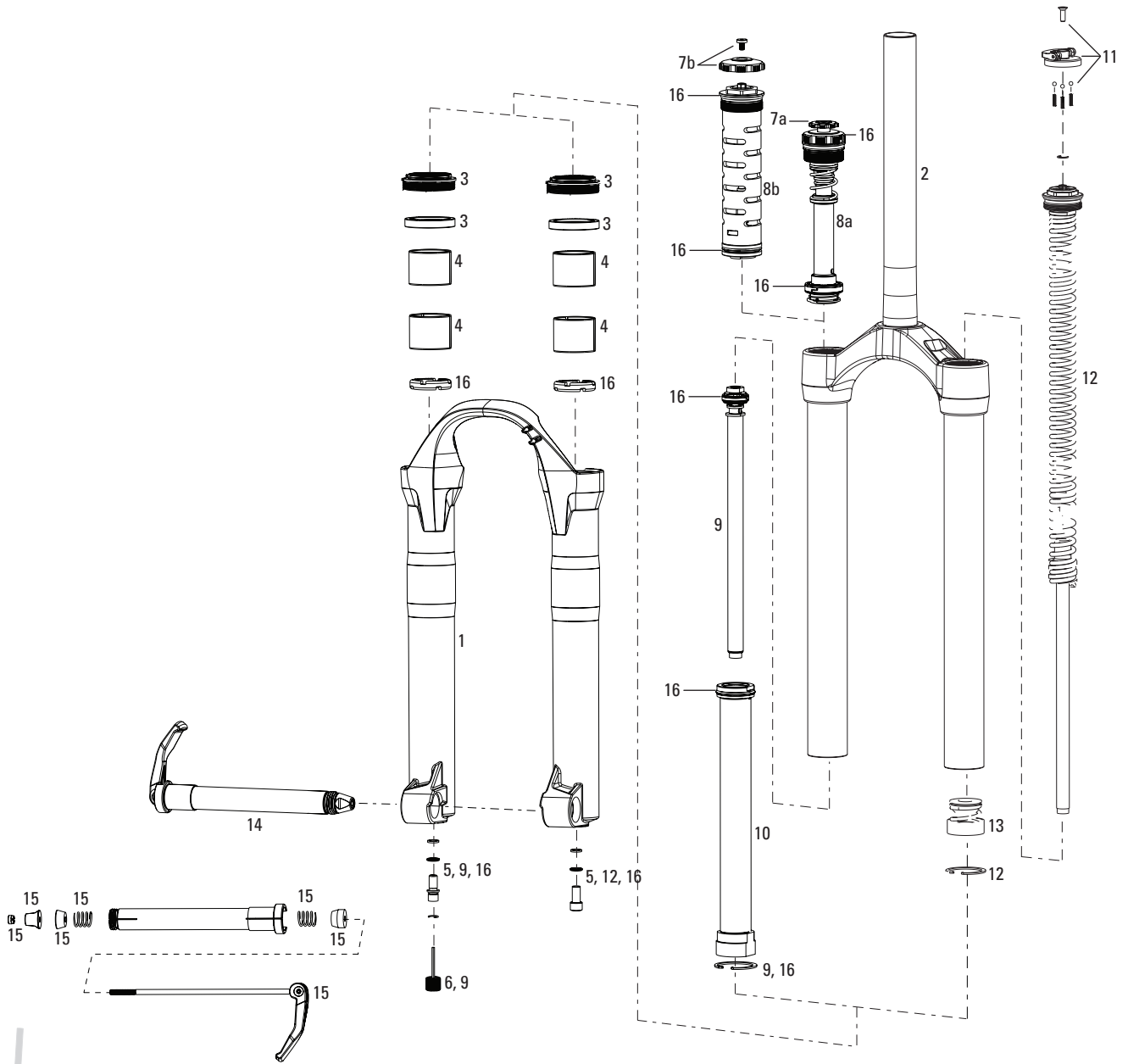


**Note:**

1. All service kits include any and all replaceable o-rings, retaining rings, crush washers, crush washer retainers, and shaft bolts/nuts. Air service kits include schrader valve(s).
2. Rebound damper and spring shaft kits include crush washers, crush washer retainers and shaft bolts, as well as upper tube retaining rings and rebound adjuster knob.
3. Damper side = rider's right. Spring side = rider's left.
4. Domain 302 features rebound damping only. Use Domain top cap kit.
5. Domain 318 features compression and rebound damping. Use Domain compression damper and adjuster knob.
6. 1.5" steerer tube pictured.
7. All lower legs include bottom-out bumpers, bushings, foam rings and dust seals installed.



No.	Part Number	Description
1	11.4015.070.000	Domain/Lyrik Lower Leg Diffusion Black (decals not included)
1	11.4015.071.000	Domain/Lyrik Lower Leg Diffusion Silver (decals not included)
1	11.4015.214.000	Domain/Lyrik Lower Leg PunishMint (decals not included)
1	11.4015.224.000	Domain/Lyrik Lower Leg White (decals not included)
2	11.4015.052.000	Domain CSU Black Ano Crown AL Str 1.5"
2	11.4015.053.000	Domain CSU Black Ano Crown AL Str 1 1/8"
3	11.4015.067.000	Domain/Lyrik Dust Seal/Oil Seal Kit
4	11.4015.065.000	Domain/Lyrik Bushing Kit
5	11.4310.465.000	Fork Shaft Bolt Kit
6	11.4015.074.000	Domain/Lyrik/Totem External Rebound Adjuster Knob
7	11.4015.049.000	Domain Top Cap Kit (L/R)
8 UPDATED	11.4015.050.000	Domain/Lyrik/Totem Motion Control IS Compression Damper Adjuster Knob
9	11.4015.051.000	Domain Motion Control IS Compression Damper
10	11.4015.057.000	Domain Rebound Damper Kit
11	11.4015.244.000	U-Turn Travel Adjuster Knob Aluminum (Coil)
11	11.4309.035.000	U-Turn Travel Adjust Knob Grey (Coil)
11	11.4310.717.000	U-Turn Travel Adjuster Knob Aluminum (Coil) Lever
12	11.4015.062.000	Domain U-Turn Spring Assy X-Soft
12	11.4015.060.000	Domain U-Turn Spring Assy Soft
12	11.4015.059.000	Domain U-Turn Spring Assy Med (Standard)
12	11.4015.058.000	Domain U-Turn Spring Assy Firm
12	11.4015.061.000	Domain U-Turn Spring Assy X-Firm
13	11.4015.063.000	Domain U-Turn Topout Spring Assy
14	11.4015.054.000	Domain Damper Service Kit (comp/Rebound) (includes bottom out bumpers)
15	11.4015.076.000	Domain/Lyrik/Totem Maxle Kit
16	11.4015.075.000	Domain/Lyrik/Totem Maxle Axle/Wedge Kit
ns	11.4015.055.000	Domain Decal Kit
ns	11.4015.205.000	Domain/Lyrik Upper Tube/Spring Sleeve
ns	11.4309.073.000	Kit Disk Brake Cable Accessory
bulk	11.4015.259.000	Crush Washer 8mm, Qty 50
bulk	11.4015.260.000	Crush Washer Retainer, Qty 50
bulk	11.4015.068.000	Domain/Lyrik Lower Bushing Qty 20
bulk	11.4015.073.000	Domain/Lyrik Upper Bushing Qty 20
bulk	11.4015.066.000	Domain/Lyrik Dust Seal Qty 20
bulk	11.4015.200.000	Lyrik/Domain Oil Seal Qty 20
tacklebox	11.4015.157.000	Totem/Lyrik/Domain Tacklebox Parts Kit
tacklebox	11.4015.216.000	Totem/Lyrik/Domain Seal/Bushing Tacklebox Parts Kit



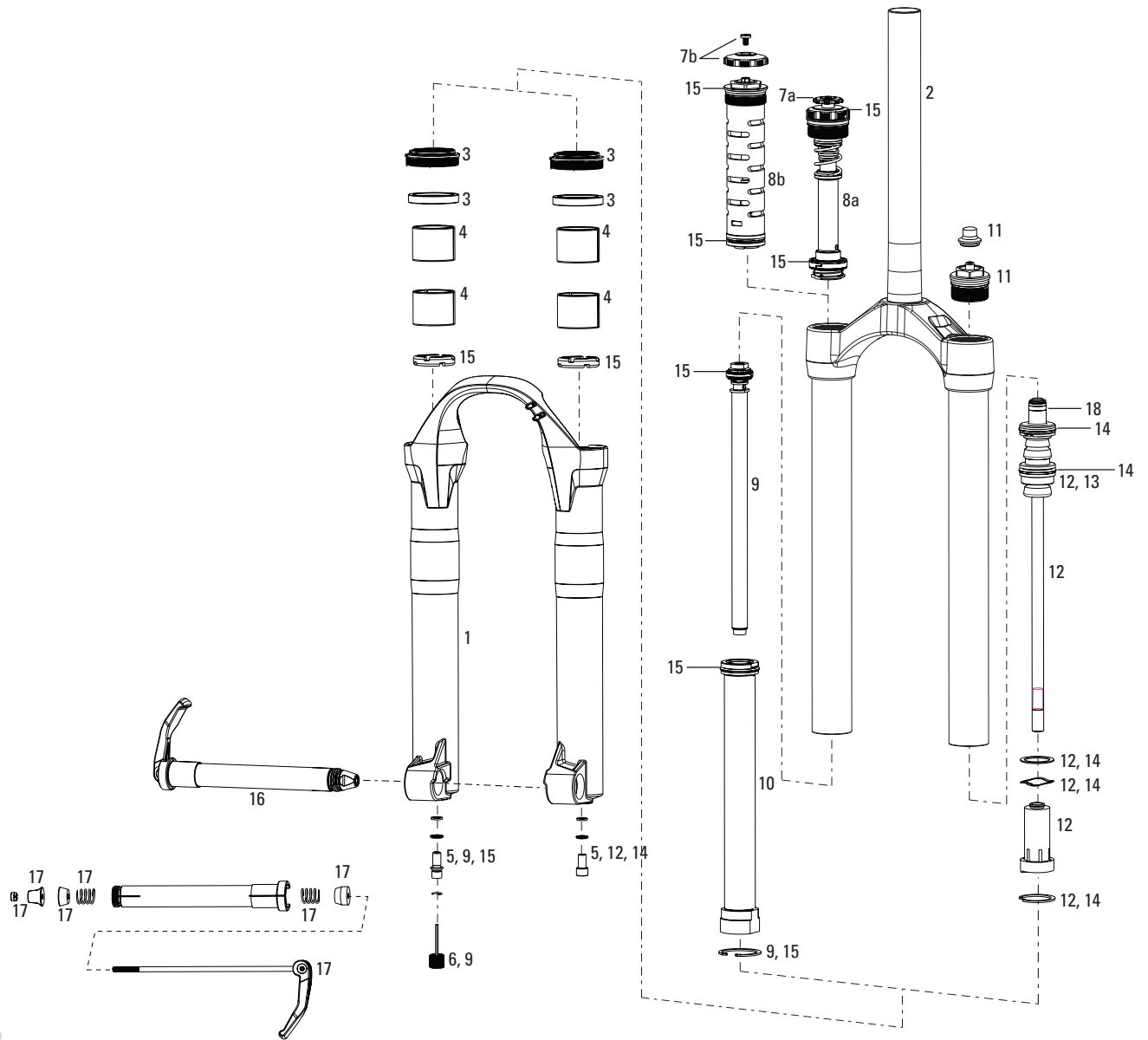
**Note:**

1. All service kits include any and all replaceable o-rings, retaining rings, crush washers, crush washer retainers, and shaft bolts/nuts. Air service kits include schrader valve(s).
2. Rebound damper and spring shaft kits include crush washers, crush washer retainers and shaft bolts, as well as upper tube retaining rings and rebound adjuster knob.
3. Damper side = rider's right. Spring side = rider's left.
4. 1.125" steerer tube pictured.
5. All lower legs include bottom-out bumpers, bushings, foam rings and dust seals installed.
6. All Lyrik models are compatible with both Mission Control and Motion Control IS compression dampers. Requires Motion Control IS compression damper adjuster knob.





No.	Part Number	Description
1	11.4015.070.000	Domain/Lyrik Lower Leg Diffusion Black (decals not included)
1	11.4015.071.000	Domain/Lyrik Lower Leg Diffusion Silver (decals not included)
1	11.4015.214.000	Domain/Lyrik Lower Leg PunishMint (decals not included)
1	11.4015.224.000	Domain/Lyrik Lower Leg White (decals not included)
2	11.4015.086.000	Lyrik U-Turn CSU AL Steerer Gradient 1.5" Ano Black Crown
2	11.4015.085.000	Lyrik U-Turn CSU AL Steerer Gradient 1.125" Ano Black Crown
3	11.4015.067.000	Domain/Lyrik Dust Seal/Oil Seal Kit
4	11.4015.065.000	Domain/Lyrik Bushing Kit
5	11.4310.465.000	Fork Shaft Bolt Kit
6	11.4015.074.000	Domain/Lyrik/Totem External Rebound Adjuster Knob
7a	11.4015.108.000	Lyrik/Totem Compression Damper Knob Kit
7b	11.4015.050.000	Domain/Lyrik/Totem Motion Control IS Compression Damper Adjuster Knob
8a	11.4015.084.000	Lyrik Compression Damper Assy
8b	11.4015.281.000	Lyrik Motion Control IS Compression Damper Assy
9	11.4015.091.000	Lyrik Rebound Damper Kit
10	11.4015.089.000	Lyrik Damper Tube Assy
11	11.4015.244.000	U-Turn Travel Adjuster Knob Aluminum (Coil)
11	11.4309.035.000	U-Turn Travel Adjust Knob Grey (Coil)
11	11.4310.717.000	U-Turn Travel Adjuster Knob Aluminum (Coil) Lever
12	11.4015.099.000	Lyrik U-Turn Spring Assy X-Soft White
12	11.4015.097.000	Lyrik U-Turn Spring Assy Soft Yellow
12	11.4015.096.000	Lyrik U-Turn Spring Assy Med Red (Standard)
12	11.4015.095.000	Lyrik U-Turn Spring Assy Firm Blue
12	11.4015.098.000	Lyrik U-Turn Spring Assy X-Firm Black
13	11.4015.100.000	Lyrik U-Turn Topout Spring Assy
14	11.4015.076.000	Domain/Lyrik/Totem Maxle Kit
15	11.4015.075.000	Domain/Lyrik/Totem Maxle Axle/Wedge Kit
16	11.4015.087.000	Lyrik Damper (Comp/Rebound) Service Kit
ns	11.4015.205.000	Domain/Lyrik Upper Tube/Spring Sleeve
ns	11.4015.090.000	Lyrik Decal Kit
ns	11.4309.073.000	Kit Disk Brake Cable Accessory
bulk	11.4015.259.000	Crush Washer 8mm, Qty 50
bulk	11.4015.260.000	Crush Washer Retainer, Qty 50
bulk	11.4015.068.000	Domain/Lyrik Lower Bushing Qty 20
bulk	11.4015.073.000	Domain/Lyrik Upper Bushing Qty 20
bulk	11.4015.066.000	Domain/Lyrik Dust Seal Qty 20
bulk	11.4015.200.000	Lyrik/Domain Oil Seal Qty 20
tacklebox	11.4015.157.000	Totem/Lyrik/Domain Tacklebox Parts Kit
tacklebox	11.4015.216.000	Totem/Lyrik/Domain Seal/Bushing Tacklebox Parts Kit

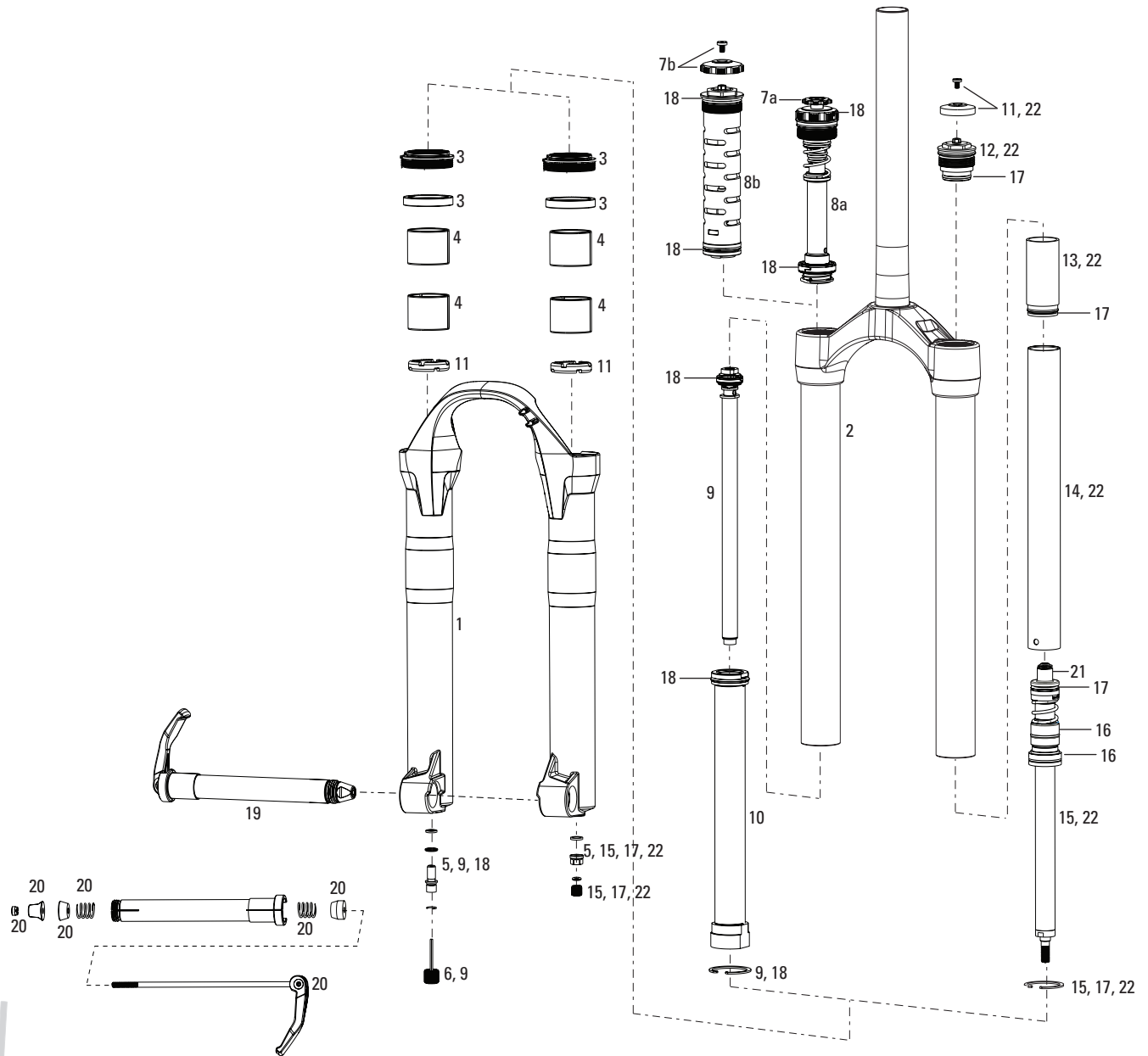


**Note:**

1. All service kits include any and all replaceable o-rings, retaining rings, crush washers, crush washer retainers, and shaft bolts/nuts. Air service kits include schrader valve(s).
2. Rebound damper and spring shaft kits include crush washers, crush washer retainers and shaft bolts, as well as upper tube retaining rings and rebound adjuster knob.
3. Damper side = rider's right. Spring side = rider's left.
4. 1.125" steerer tube pictured.
5. All lower legs include bottom-out bumpers, bushings, foam rings and dust seals installed.
6. All Lyrik models are compatible with both Mission Control and Motion Control IS compression dampers. Requires Motion Control IS compression damper adjuster knob.



No.	Part Number	Description
1	11.4015.070.000	Domain/Lyrik Lower Leg Diffusion Black (decals not included)
1	11.4015.071.000	Domain/Lyrik Lower Leg Diffusion Silver (decals not included)
1	11.4015.224.000	Domain/Lyrik Lower Leg White (decals not included)
2	11.4015.082.000	Lyrik Solo Air CSU AL Steerer 1.5" Ano Black Crown
2	11.4015.081.000	Lyrik Solo Air CSU AL Steerer 1.125" Ano Black Crown
3	11.4015.067.000	Domain/Lyrik Dust Seal/Oil Seal Kit
4	11.4015.065.000	Domain/Lyrik Bushing Kit
5	11.4310.465.000	Fork Shaft Bolt Kit
6	11.4015.074.000	Domain/Lyrik/Totem External Rebound Adjuster Knob
7a	11.4015.108.000	Lyrik/Totem Compression Damper Knob Kit
7b UPDATED	11.4015.050.000	Domain/Lyrik/Totem Motion Control IS Compression Damper Adjuster Knob
8a	11.4015.084.000	Lyrik Compression Damper Assy
8b NEW	11.4015.281.000	Lyrik Motion Control IS Compression Damper Assy
9	11.4015.091.000	Lyrik Rebound Damper Kit
10	11.4015.089.000	Lyrik Damper Tube Assy
11	11.4015.083.000	Lyrik Air Top Cap Kit
12	11.4015.094.000	Lyrik Solo Air Sprng/BasePlate Assy Kit
13	11.4015.092.000	Lyrik Solo Air Floating Piston Assy Kit
14	11.4015.093.000	Lyrik Solo Air Service Kit
15	11.4015.087.000	Lyrik Damper (Comp/Rebound) Service Kit
16	11.4015.076.000	Domain/Lyrik/Totem Maxle Kit
17	11.4015.075.000	Domain/Lyrik/Totem Maxle Axle/Wedge Kit
18 NEW	11.4015.287.020	Air Piston Kit, Lyrik Solo Air, Qty 1 (blue)
ns	11.4015.090.000	Lyrik Decal Kit
ns	11.4308.327.002	Schrader Valve Core Qty 2
ns	11.4309.073.000	Kit Disk Brake Cable Accessory
bulk	11.4015.259.000	Crush Washer 8mm, Qty 50
bulk	11.4015.260.000	Crush Washer Retainer, Qty 50
bulk	11.4015.068.000	Domain/Lyrik Lower Bushing Qty 20
bulk	11.4015.073.000	Domain/Lyrik Upper Bushing Qty 20
bulk	11.4015.066.000	Domain/Lyrik Dust Seal Qty 20
bulk	11.4015.200.000	Lyrik/Domain Oil Seal Qty 20
tacklebox	11.4015.157.000	Totem/Lyrik/Domain Tacklebox Parts Kit
tacklebox	11.4015.216.000	Totem/Lyrik/Domain Seal/Bushing Tacklebox Parts Kit

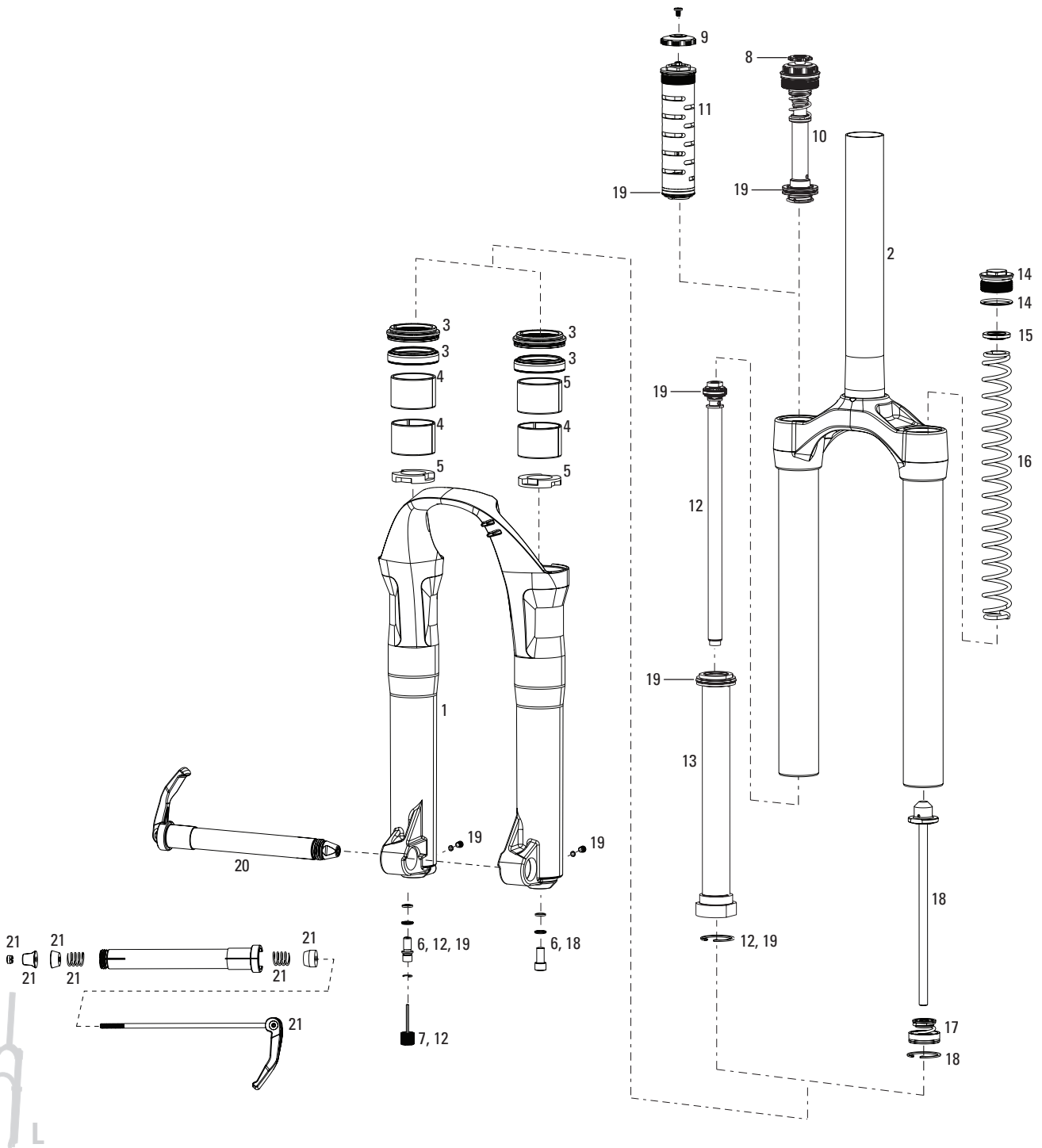


**Note:**

1. All service kits include any and all replaceable o-rings, retaining rings, crush washers, crush washer retainers, and shaft bolts/nuts. Air service kits include schrader valve(s).
2. Rebound damper and spring shaft kits include crush washers, crush washer retainers and shaft bolts, as well as upper tube retaining rings and rebound adjuster knob.
3. Damper side = rider's right. Spring side = rider's left.
4. 1.125" steerer tube pictured.
5. All lower legs include bottom-out bumpers, bushings, foam rings and dust seals installed.
6. 2-Step air tube bleed hole must be positioned down inside left (spring) upper tube when installed.
7. 2-Step internal floating piston (not shown) is included inside piston housing.
8. 2-Step air spring top cap is not serviceable. Do not disassemble.
9. All Lyrik models are compatible with both Mission Control and Motion Control IS compression dampers. Requires Motion Control IS compression damper adjuster knob.
10. Lyrik 2-Step system replacement kit (item 22) includes all 2-Step system parts.



No.	Part Number	Description
1	11.4015.070.000	Domain/Lyrik Lower Leg Diffusion Black (decals not included)
1	11.4015.071.000	Domain/Lyrik Lower Leg Diffusion Silver (decals not included)
1	11.4015.224.000	Domain/Lyrik Lower Leg White (decals not included)
2	11.4015.218.000	Lyrik 2-Step CSU AL Steerer 1.5" Ano Black Crown
2	11.4015.219.000	Lyrik 2-Step CSU AL Steerer 1.125" Ano Black Crown
3	11.4015.067.000	Domain/Lyrik Dust Seal/Oil Seal Kit
4	11.4015.065.000	Domain/Lyrik Bushing Kit
5	11.4310.465.000	Fork Shaft Bolt Kit
6	11.4015.074.000	Domain/Lyrik/Totem External Rebound Adjuster Knob
7a	11.4015.108.000	Lyrik/Totem Compression Damper Knob Kit
7b	UPDATED 11.4015.050.000	Domain/Lyrik/Totem Motion Control IS Compression Damper Adjuster Knob
8a	11.4015.084.000	Lyrik Compression Damper Assy
8b	NEW 11.4015.281.000	Lyrik Motion Control IS Compression Damper Assy
9	11.4015.091.000	Lyrik Rebound Damper Kit
10	11.4015.089.000	Lyrik Damper Tube Assy
11	11.4015.103.000	Lyrik/Totem 2-Step Adjuster Knob Kit
12	11.4015.079.000	Lyrik 2-Step Air Top Cap Kit
13	11.4015.275.000	Lyrik/Totem 2-Step Piston Housing (NEW)
14	11.4015.104.000	Lyrik/Totem 2-Step Air Tube
15	11.4015.276.000	Lyrik 2-Step Air Spring Shaft Assy (NEW)
16	11.4015.277.000	Lyrik 2-Step Floating Piston/Seal Head (NEW)
17	11.4015.077.000	Lyrik 2-Step Air Service Kit
18	11.4015.087.000	Lyrik Damper (Comp/Rebound) Service Kit
19	11.4015.076.000	Domain/Lyrik/Totem Maxle Kit
20	11.4015.075.000	Domain/Lyrik/Totem Maxle Axle/Wedge Kit
21	NEW 11.4015.287.030	Air Piston Kit, Totem/Lyrik 2-Step Solo Air, Qty 1 (blue)
22	NEW 11.4015.272.000	Lyrik 2-Step Air Spring System (complete)
ns	11.4015.090.000	Lyrik Decal Kit
ns	11.4308.327.002	Schrader Valve Core Qty 2
ns	11.4309.073.000	Kit Disk Brake Cable Accessory
bulk	11.4015.259.000	Crush Washer 8mm, Qty 50
bulk	11.4015.260.000	Crush Washer Retainer, Qty 50
bulk	11.4015.068.000	Domain/Lyrik Lower Bushing Qty 20
bulk	11.4015.073.000	Domain/Lyrik Upper Bushing Qty 20
bulk	11.4015.066.000	Domain/Lyrik Dust Seal Qty 20
bulk	11.4015.200.000	Lyrik/Domain Oil Seal Qty 20
tacklebox	11.4015.157.000	Totem/Lyrik/Domain Tacklebox Parts Kit
tacklebox	11.4015.216.000	Totem/Lyrik/Domain Seal/Bushing Tacklebox Parts Kit

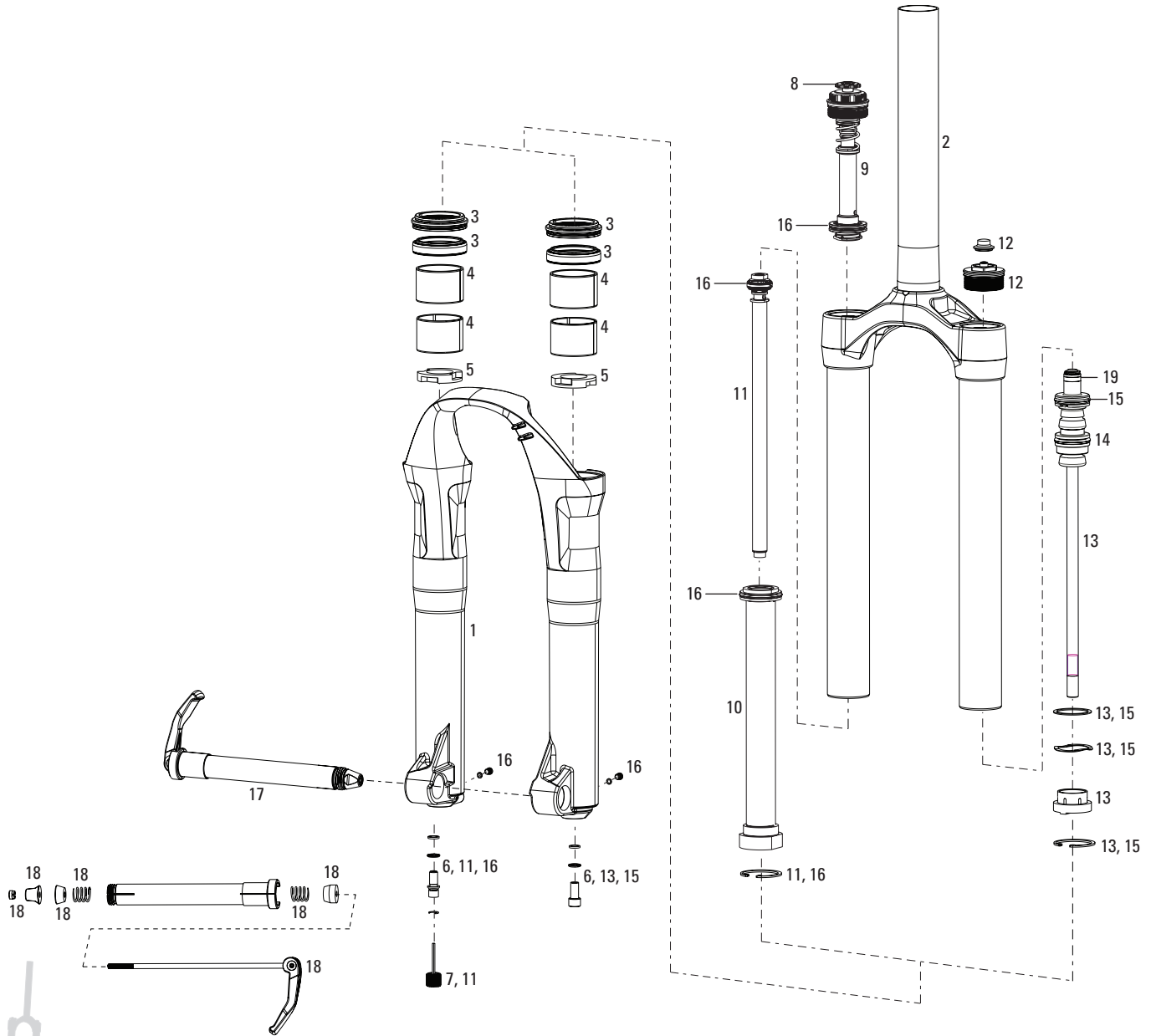


**Note:**

1. All service kits include any and all replaceable o-rings, retaining rings, crush washers, crush washer retainers, and shaft bolts/nuts. Air service kits include schrader valve(s).
2. Rebound damper and spring shaft kits include crush washers, crush washer retainers and shaft bolts, as well as upper tube retaining rings and rebound adjuster knob.
3. Damper side = rider's right. Spring side = rider's left.
4. 1.5" steerer tube pictured.
5. All lower legs include bottom-out bumpers, bushings, foam rings and dust seals installed.
6. Use Totem Speed Lube kit to replace lower leg bushing fluid.
7. All Totem models are compatible with both Mission Control and Motion Control IS compression dampers (Motion Control IS pictured on Totem Coil page). Requires Motion Control IS compression damper adjuster knob.



No.	Part Number	Description
1	11.4015.151.000	Totem Lower Leg Gloss Black
1	11.4015.150.000	Totem Lower Leg Galvanized
1	11.4015.150.020	Totem Lower Left White
2	11.4015.143.000	Totem Coil/Solo Air CSU, AL Steerer, 1.5"
2	11.4015.142.000	Totem Coil/Solo Air CSU, AL Steerer, 1.125"
3	11.4015.147.000	Totem Dust/Oil Seal Kit
4	11.4015.131.000	Totem Bushing Kit
5	11.4015.130.000	Totem Bottom Out Bumper Kit
6	11.4310.465.000	Fork Shaft Bolt Kit
7	11.4015.074.000	Domain/Lyrik/Totem External Rebound Adjuster Knob
8	11.4015.108.000	Lyrik/Totem Compression Damper Knob Kit
9 UPDATED	11.4015.050.000	Domain/Totem Motion Control IS Compression Damper Adjuster Knob
10	11.4015.140.000	Totem Compression Damper Kit
11	11.4015.225.000	Totem Motion Control IS Compression Damper Kit
12	11.4015.153.000	Totem Rebound Damper Kit
13	11.4015.145.000	Totem Damper Tube
14	11.4015.139.000	Totem Coil Top Cap
15	11.4015.132.000	Totem Coil PreLoad Spacers
16	11.4015.138.000	Totem Coil Spring XSoft White
16	11.4015.136.000	Totem Coil Spring Soft Silver
16	11.4015.135.000	Totem Coil Spring Medium Blue
16	11.4015.134.000	Totem Coil Spring Firm Yellow
16	11.4015.137.000	Totem Coil Spring XFirm Red
17	11.4015.160.000	Totem Coil Top Out Spring Assy
18	11.4015.133.000	Totem Coil Spring Shaft Assy
19	11.4015.144.000	Totem Damper Service Kit
20	11.4015.076.000	Domain/Lyrik/Totem Maxle Kit
21	11.4015.075.000	Domain/Lyrik/Totem Maxle Axle/Wedge Kit
ns	11.4015.146.000	Totem Decal Kit
ns	11.4015.256.000	Totem/Domain Sticker Pack
ns	11.4013.090.000	Totem Speed Lube Kit
ns	11.4309.073.000	Kit Disk Brake Cable Accessory
bulk	11.4015.259.000	Crush Washer 8mm, Qty 50
bulk	11.4015.260.000	Crush Washer Retainer, Qty 50
bulk	11.4015.149.000	Totem Lower Bushing Qty 20
bulk	11.4015.158.000	Totem Upper Bushing Qty 20
bulk	11.4015.148.000	Totem Dust Seal Qty 20
bulk	11.4015.152.000	Totem Oil Seal Qty 20
tacklebox	11.4015.157.000	Totem/Lyrik/Domain Tacklebox Parts Kit
tacklebox	11.4015.216.000	Totem/Lyrik/Domain Seal/Bushing Tacklebox Parts Kit



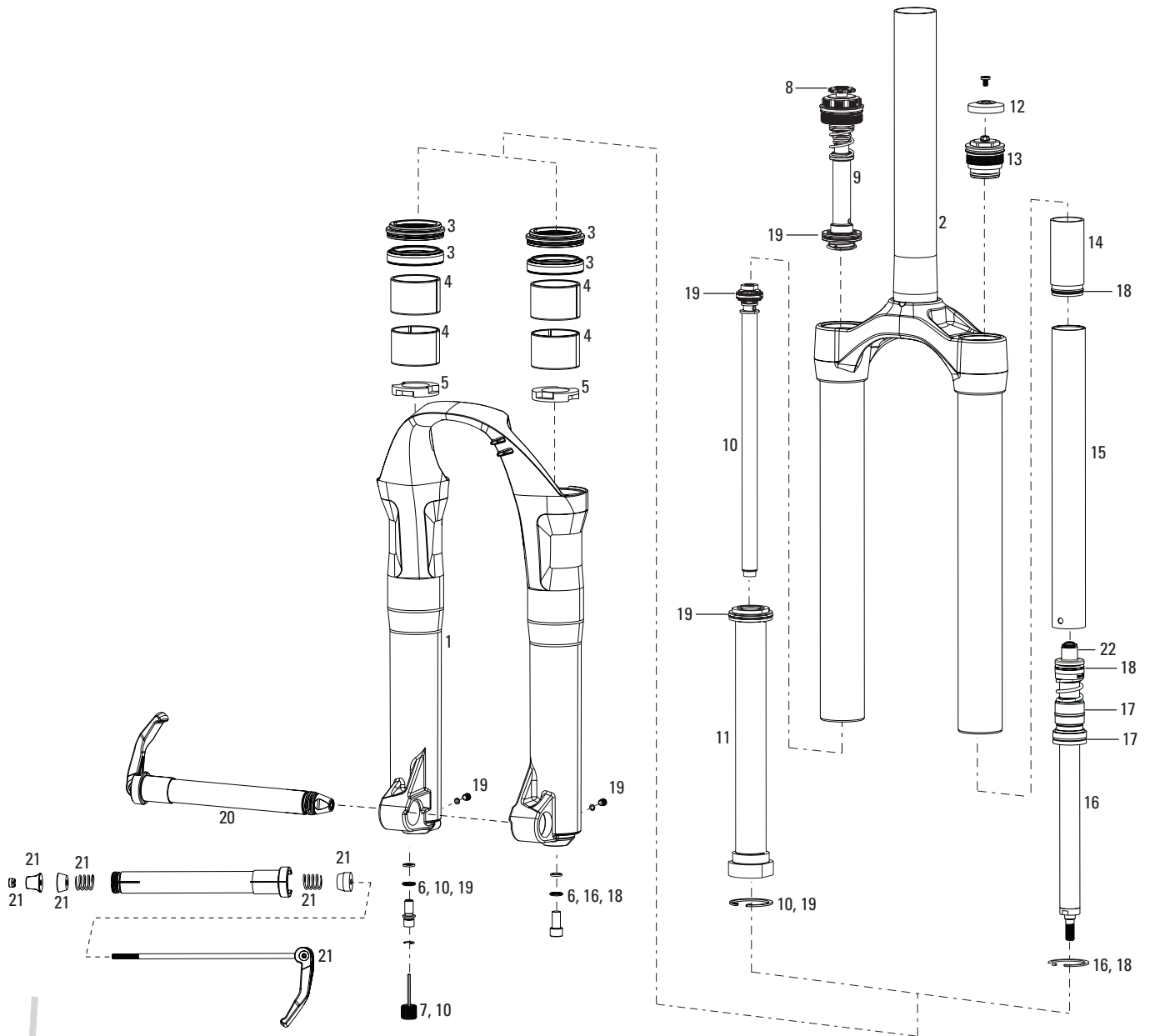
**Note:**

1. All service kits include any and all replaceable o-rings, retaining rings, crush washers, crush washer retainers, and shaft bolts/nuts. Air service kits include schrader valve(s).
2. Rebound damper and spring shaft kits include crush washers, crush washer retainers and shaft bolts, as well as upper tube retaining rings and rebound adjuster knob.
3. Damper side = rider's right. Spring side = rider's left.
4. 1.5" steerer tube pictured.
5. All lower legs include bottom-out bumpers, bushings, foam rings and dust seals installed.
6. Use Totem Speed Lube kit to replace lower leg bushing fluid.
7. All Totem models are compatible with both Mission Control and Motion Control IS compression dampers (Motion Control IS pictured on Totem Coil page). Requires Motion Control IS compression damper adjuster knob.
8. Totem Solo Air spring assembly includes floating piston and base plate/ring/wavy spring.





No.	Part Number	Description
1	11.4015.151.000	Totem Lower Leg Gloss Black
1	11.4015.150.000	Totem Lower Leg Galvanized
1	11.4015.150.020	Totem Lower Left White
2	11.4015.143.000	Totem Coil/Solo Air CSU, AL Steerer, 1.5"
2	11.4015.142.000	Totem Coil/Solo Air CSU, AL Steerer, 1.125"
3	11.4015.147.000	Totem Dust/Oil Seal Kit
4	11.4015.131.000	Totem Bushing Kit
5	11.4015.130.000	Totem Bottom Out Bumper Kit
6	11.4310.465.000	Fork Shaft Bolt Kit
7	11.4015.074.000	Domain/Lyrik/Totem External Rebound Adjuster Knob
8	11.4015.108.000	Lyrik/Totem Compression Damper Knob Kit
9	11.4015.140.000	Totem Compression Damper Kit
10	11.4015.145.000	Totem Damper Tube
11	11.4015.153.000	Totem Rebound Damper Kit
12	11.4015.156.000	Totem Solo Air Top Cap Assy
13	11.4015.155.000	Totem Solo Air Spring Assy
14	11.4015.154.000	Totem Solo Air Floating Piston Assy
15	11.4015.161.000	Totem Solo Air Service Kit
16	11.4015.144.000	Totem Damper Service Kit
17	11.4015.076.000	Domain/Lyrik/Totem Maxle Kit
18	11.4015.075.000	Domain/Lyrik/Totem Maxle Axle/Wedge Kit
19 NEW	11.4015.287.010	Air Piston Kit, Totem Solo Air, Qty 1 (blue)
ns	11.4013.090.000	Totem Speed Lube Kit
ns	11.4015.146.000	Totem Decal Kit
ns	11.4015.256.000	Totem/Domain Sticker Pack
ns	11.4308.327.002	Schrader Valve Core Qty 2
ns	11.4309.073.000	Kit Disk Brake Cable Accessory
bulk	11.4015.259.000	Crush Washer 8mm, Qty 50
bulk	11.4015.260.000	Crush Washer Retainer, Qty 50
bulk	11.4015.149.000	Totem Lower Bushing Qty 20
bulk	11.4015.158.000	Totem Upper Bushing Qty 20
bulk	11.4015.148.000	Totem Dust Seal Qty 20
bulk	11.4015.152.000	Totem Oil Seal Qty 20
tacklebox	11.4015.157.000	Totem/Lyrik/Domain Tacklebox Parts Kit
tacklebox	11.4015.216.000	Totem/Lyrik/Domain Seal/Bushing Tacklebox Parts Kit



**Note:**

1. All service kits include any and all replaceable o-rings, retaining rings, crush washers, crush washer retainers, and shaft bolts/nuts. Air service kits include schrader valve(s).
2. Rebound damper and spring shaft kits include crush washers, crush washer retainers and shaft bolts, as well as upper tube retaining rings and rebound adjuster knob.
3. Damper side = rider's right. Spring side = rider's left.
4. 1.5" steerer tube pictured.
5. All lower legs include bottom-out bumpers, bushings, foam rings and dust seals installed.
6. Use Totem Speed Lube kit to replace lower leg bushing fluid.
7. All Totem models are compatible with both Mission Control and Motion Control IS compression dampers (Motion Control IS pictured on Totem Coil page). Requires Motion Control IS compression damper adjuster knob.
8. 2-Step Air tube bleed hole must be positioned down inside left (spring) upper upper tube when installed.
9. 2-Step internal floating piston (not shown) is included inside piston housing.
10. 2-Step air spring top cap is not serviceable. Do not disassemble.



No.	Part Number	Description
1	11.4015.151.000	Totem Lower Leg Gloss Black
1	11.4015.150.000	Totem Lower Leg Galvanized
1	11.4015.150.020	Totem Lower Left White
2	11.4015.222.000	Totem 2-Step CSU AL Steerer 1.5"
2	11.4015.223.000	Totem 2-Step CSU AL Steerer 1.125"
3	11.4015.131.000	Totem Bushing Kit
4	11.4015.147.000	Totem Dust/Oil Seal Kit
5	11.4015.130.000	Totem Bottom Out Bumper Kit
6	11.4310.465.000	Fork Shaft Bolt Kit
7	11.4015.074.000	Domain/Lyrik/Totem External Rebound Adjuster Knob
8	11.4015.108.000	Lyrik/Totem Compression Damper Knob Kit
9	11.4015.140.000	Totem Compression Damper Kit
10	11.4015.153.000	Totem Rebound Damper Kit
11	11.4015.145.000	Totem Damper Tube
12	11.4015.103.000	Lyrik/Totem 2-Step Adjuster Knob Kit
13	11.4015.128.000	Totem 2-Step Air Top Cap Kit
14 NEW	11.4015.275.000	Lyrik/Totem 2-Step Piston Housing (NEW)
15	11.4015.104.000	Lyrik/Totem 2-Step Air Tube
16 UPDATED	TBD	Totem 2-Step Air Spring Shaft Assy (NEW)
17 UPDATED	TBD	Totem 2-Step Floating Piston/Seal Head (NEW)
18	11.4015.162.000	Totem 2-Step Air Service Kit
19	11.4015.144.000	Totem Damper Service Kit
20	11.4015.076.000	Domain/Lyrik/Totem Maxle Kit
21	11.4015.075.000	Domain/Lyrik/Totem Maxle Axle/Wedge Kit
22 NEW	11.4015.287.030	Air Piston Kit, Totem/Lyrik 2-Step Solo Air, Qty 1 (blue)
ns	11.4015.146.000	Totem Decal Kit
ns	11.4015.256.000	Totem/Domain Sticker Pack
ns	11.4013.090.000	Totem Speed Lube Kit
ns	11.4308.327.002	Schrader Valve Core Qty 2
ns	11.4309.073.000	Kit Disk Brake Cable Accessory
bulk	11.4015.259.000	Crush Washer 8mm, Qty 50
bulk	11.4015.260.000	Crush Washer Retainer, Qty 50
bulk	11.4015.149.000	Totem Lower Bushing Qty 20
bulk	11.4015.158.000	Totem Upper Bushing Qty 20
bulk	11.4015.148.000	Totem Dust Seal Qty 20
bulk	11.4015.152.000	Totem Oil Seal Qty 20
tacklebox	11.4015.157.000	Totem/Lyrik/Domain Tacklebox Parts Kit
tacklebox	11.4015.216.000	Totem/Lyrik/Domain Seal/Bushing Tacklebox Parts Kit

---

**NOTES**

## COPYRIGHT

All content included in this catalog, including but not limited to text, graphics or images is copyrighted as a collective work under the United States and other copyright laws, and is the property of SRAM Corporation. Copyright 2007, SRAM Corporation. ALL RIGHTS RESERVED. Any other use, including but not limited to the reproduction, distribution, display or transmission of this content of this catalog is strictly prohibited. Other names of products and companies mentioned in this catalog may be the trademarks of their respective owners.

All information and specifications in this catalog are subject to change without notice.

The following are trademarks or registered trademarks of SRAM Corporation in the United States and other countries:

SRAM, RockShox, Avid, Truvativ, 1:1, Grip Shift, Torpedo, U-Turn, Bar, BoXXer, Pike, SID, Reba, BlackBox, Climb It Control, Tullio, Juicy, Single Digit, Speed Dial, Arch Rival, Black Ops, Flak Jacket, Full Metal Jacket, Hussefelt, Holzfeller, Luftalarm, Stylo, Firex, IsoFlow, Touro, Giga Pipe, FiveD, Isis Drive (design), Wavo, X.0, X.9, X.7, 5.0, 4.0, 3.0, SX4, SX5, 1:1 Actuation Ratio, TRX, Attack, Rocket, SRAM Rocket, Centera, MRX, PowerChain, PowerGlide, PowerLink, PowerLock, SaltShaker, Impulse Technology, Thumbs Up, Zero Loss Travel, C3 Composite, Zero Loss Travel, Cable Cradle, StraightShot, Uni-Lever, Quick View, i-LIGHT, i-BRAKE, i-MOTION, i-MOTION 3, i-MOTION 9, Sparc, S7, P5, T3, DualDrive, TwinDrive, Bandix, Force, Rival, DoubleTap, HCT, OCT, Exact Actuation, Mission Control, 2-Step, Maxle, Maxle 360, Solo Air, Dual Air, TurnKey, IsoLite, IsoLite Cushion, Air U-Turn, Rear Maxle, PopLoc, PopLoc Dual, PopLoc Adjust, PushLoc, Ario, Pearl, MC, Argyle, Domain, Totem, Lyrik, revelation, Recon, Tora, Dart, Code, Ultimate, Shorty, Force Vector Alignment, BB5, BB7, FR5, Boxguide, Shiftguide, Engineering the shift, XR, Team, LE, 3D, XR 3D, Team 3D, Rouleur, Team BMX, Racing XR, Racing Team, Racing Junior, Ruktion, Noir, Blaze, 5D, X-Flow, Elita, Power Spline, GXP, Giga X Pipe, ISIS, Overdrive, Square LE, Howitzer, Beyond Performance and Innovative Bicycle Components.

### WORLD HEADQUARTERS

SRAM Corporation  
1333 N. Kingsbury, 4th Floor  
Chicago, Illinois 60622  
United States of America  
Phone: +1-312-664-8800  
Fax: +1-312-664-8826  
E-mail: sramusa@sram.com

### ASIAN HEADQUARTERS

SRAM Taiwan  
No. 1598-8 Chung Shan Road  
Shen Kang Hsiang, Taichung  
County 429 Taiwan R.O.C.  
Phone: +886-4-2561-3678  
Fax: +886-4-2561-3686  
E-mail: sramasia@sram.com

### EUROPEAN HEADQUARTERS

SRAM Europe  
Basicweg 12-D  
3821 BR Amersfoort  
The Netherlands  
Phone: +31-33-450-6060  
Fax: +31-33-457-0200  
E-mail: srameurope@sram.com

[www.sram.com](http://www.sram.com)

**world headquarters**

SRAM corporation  
1333 n. kingsbury st., 4th fl  
chicago, il 60622  
phone +1-312-664-8800  
fax +1-312-664-8826

**european headquarters**

SRAM europe  
basicweg 12-d  
3821 br amersfoort  
the netherlands  
phone +31-33-450-6060  
fax +31-33-457-0200

**asian headquarters**

SRAM taiwan  
no. 1598-8 chung shan rd  
shen kang hsiang, taichung  
county road 49 taiwan r.o.c.  
phone +886-4-2564-3678  
fax +886-4-2561-3686