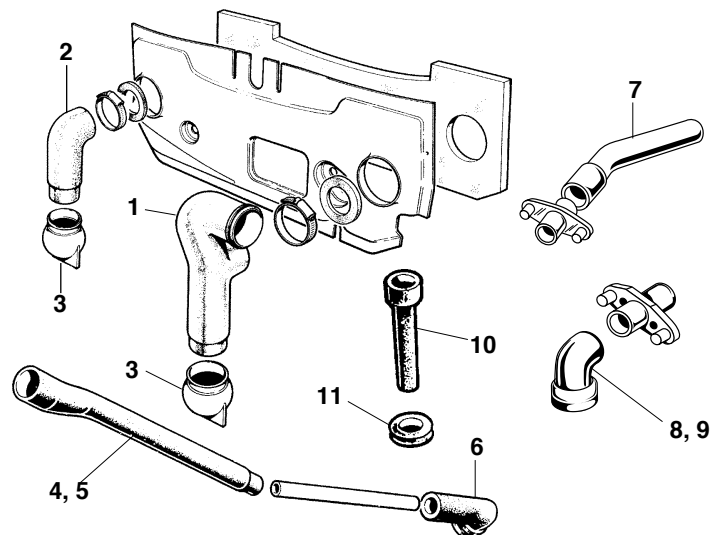


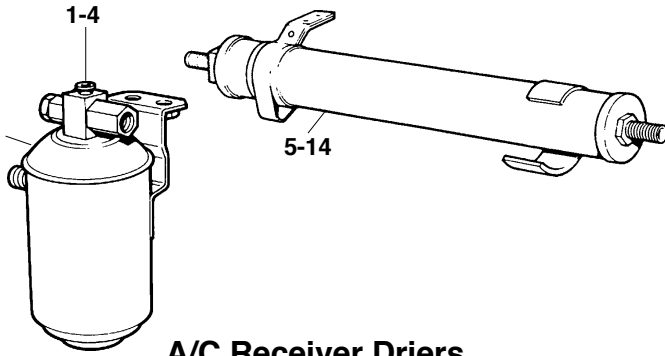
## E-Type Air Conditioning

- |  |                  |  |                     |
|--|------------------|--|---------------------|
| 1. Vent Box, Right side, Series III _____                  | <b>BD39631</b>   | 17. Left Side "Cooler" I.D. Plate, Series III _____                      | <b>JA-JS264</b>     |
| 2. Vent Box, Left side, Series III _____                   | <b>BD39632</b>   | 18. Right Side "Speed" I.D. Plate, Series III _____                      | <b>JA-JS265</b>     |
| 3. Fresh Air Vent Tube, V-12, two required _____           | <b>BD39662-2</b> | 19. A/C Fan Switch, Series III _____                                     | <b>JA-JS261</b>     |
| 4. A/C Receiver/Drier Holder, Series III _____             | <b>C32321</b>    | 20. Thermo Expansion Valve, Series III _____                             | <b>JA-JS256</b>     |
| 5. A/C Hose Cover Plate, Series III _____                  | <b>BD38448</b>   | 21. Blower Motor Resistor, 7/8" x 3/12",<br>Series 1.5, II and III _____ | <b>JA-JAG601075</b> |
| 6. Vent Pull, Series III, Fits right or left _____         | <b>BD39888</b>   | 22. Rebuilt Air Conditioning Compressor, Series II _____                 | <b>C32193/RB</b>    |
| 7. Vent Pull Knob Only, Series III _____                   | <b>BD38512</b>   | 23. Rebuilt Air Conditioning Compressor, Series III _____                | <b>C32681/RB</b>    |
| 8. Vent box Cable, 2 required _____                        | <b>BD39659</b>   | 24. Drain Tube: E-Type Series III (NLS) _____                            | <b>C34883</b>       |
| 9. Grommet for cables _____                                | <b>C2706</b>     | 25. Receiver/Drier, Series II _____                                      | <b>C28156</b>       |
| 10. Screen & Seal Assembly, Series III _____               | <b>BD40917</b>   | 26. Receiver/Drier, Series III _____                                     | <b>C32083</b>       |
| <b>Note:</b> Made with the correct diamond-pattern screen. |                  |  |                     |
| 11. A/C Vent Louvres, Series III _____                     | <b>JA-JS267</b>  | 27. Grommet, A/C Hose, Small, Series III V-12 _____                      | <b>BD38441</b>      |
| 12. Defroster Vent, RH, V-12 _____                         | <b>BD37163</b>   | 28. Grommet, A/C Hose, Large, Series III V-12 _____                      | <b>BD38442</b>      |
| 13. Defroster Vent, LH, V-12 _____                         | <b>BD37164</b>   | 29. Cable Clip _____   | <b>JA-AGU1506</b>   |
| 14. I.D. Plate, Right Side, Series III _____               | <b>BD44067</b>   | 30. Cable Locator _____  | <b>BD39660</b>      |
| 15. I.D. Plate, Left Side, Series III _____                | <b>BD44066</b>   | 31. Mount Bracket _____  | <b>BD39658</b>      |
| 16. A/C Control Knobs, Series III _____                    | <b>JA-JS263</b>  | <b>Note:</b> Please see page 239 for Series II and III A/C hoses.        |                     |

## XJ Drain Hoses & Tubes

1. Plenum & Battery Drain Hose, XJ-6 Series II & III & XJ-12 Series II (NLS) \_\_\_\_\_ **JA-BAC1291**
2. Elbow Hose, XJ-6 Series II & III \_\_\_\_\_ **BD42707**
3. Drain Tube, XJ-6 Series II & III \_\_\_\_\_ **BD34737**
4. Hose, XJ-S, 1976 to 1982 \_\_\_\_\_ **JA-BAC3411**
5. Hose, XJ-S, 1982-on \_\_\_\_\_ **JA-BAC3411**
6. Elbow Hose, XJ-S 1976-on \_\_\_\_\_ **JA-DAC3843**
7. Hose, XJ-S to 78 1/2, to VIN 2W54701 (NLS) \_\_\_\_\_ **C43035**
8. Hose: XJ-S, to '78 1/2, to VIN 2W54701 (NLS) \_\_\_\_\_ **C42434**
9. Hose: XJ-S, '78 1/2 -on, from VIN 2W54702 (NLS) \_\_\_\_\_ **C46178**
10. Hose, XJ-S, 1976-on (2 req'd) (NLS) \_\_\_\_\_ **JA-CAC2299**
11. Grommet, XJ-S, for JA-CAC2299, (2 required) \_\_\_\_\_ **C29302**





## A/C Receiver Driers

### Vertical Type:

1. XJ-6 Series I & Ser. II to '77.5, (VIN 2T69450) \_\_\_\_\_ **C32083**
2. XJ-6 Series II, from 2T69451-on, XJ-6 Series III, to VIN 330665 (2/82) \_\_\_\_\_ **JA-CAC2338**

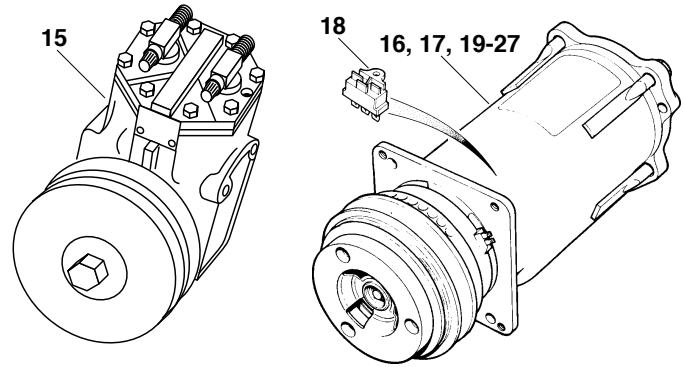
**Note:** Requires 2 O-Rings, JA-KRC1154, for proper fitting.

3. XJ-12 Series I, 1973 (NLS) \_\_\_\_\_ **C36648**
4. XJ-40 to 667828 (end of 1992) \_\_\_\_\_ **JA-CBC2319**

### Horizontal Type:

5. XJ-12 Series II, to VIN 2R58346 \_\_\_\_\_ **JA-CAC1622**
6. XJ-12 Series II, from VIN 2R58347 \_\_\_\_\_ **JA-CAC1881**
7. XJ-6 Series III, from VIN 330666-on \_\_\_\_\_ **JA-CAC1881**
8. XJ-S, to VIN 2W54659 (1978.5) (NLS) \_\_\_\_\_ **JA-CAC1662**
9. XJ-S, VIN 2W.54660-190527 (end of '93) \_\_\_\_\_ **JA-CAC1881**
10. XJ-S, 1994-on \_\_\_\_\_ **JA-MHD7410AB**
11. XJ-40, 1993-on (from VIN 667829), OEM \_\_\_\_\_ **JA-MMD7410AA**
12. XJ-40, 1993-on (667829-on), aftermarket \_\_\_\_\_ **JA-MMD7410AA/X**
13. "X300" XJ-6 1995-1997, OEM \_\_\_\_\_ **JA-MMD7410AA**
14. "X300" XJ-6 1995-1997, aftermarket \_\_\_\_\_ **JA-MMD7410AA/X**

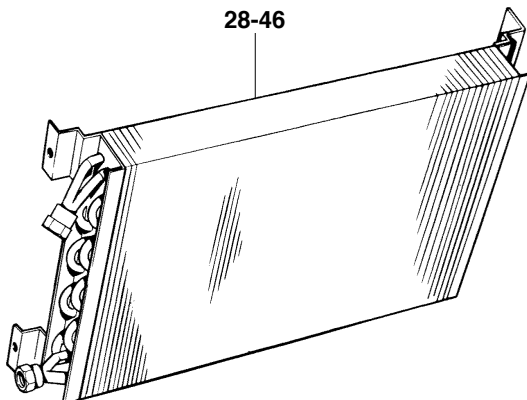
**Note:** MMD7410AA requires one JA-KSG108116 o-ring.



## XJ A/C Compressors

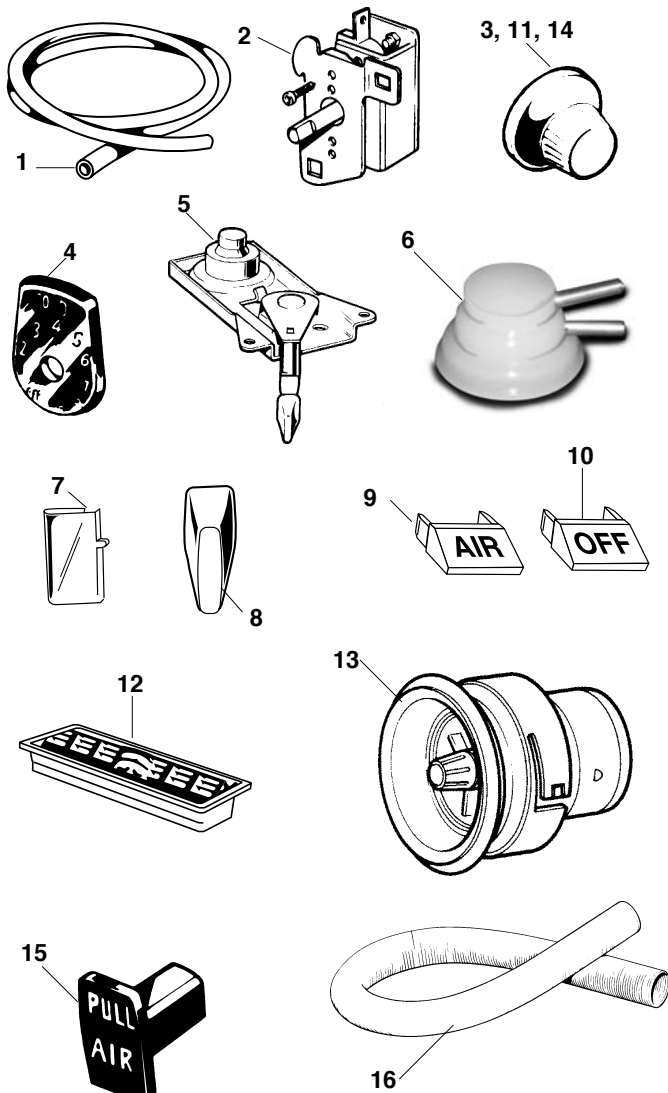
15. XJ-6 Series I with vertical York Compressor \_\_\_\_\_ **C32475/RB**
16. XJ-6 Series I with Frigidaire Compressor, pre-H.E. XJ-S; this type has no switch port \_\_\_\_\_ **C32681/RB**
17. XJ-6 Series II & III to 471856; XJ-S H.E. to engine 8S.46962; uses a superheat switch for unit protection. May require metric bolts when adapting to earlier applications. \_\_\_\_\_ **JA-EAC3386/RB**
18. Thermal Limit Switch for above \_\_\_\_\_ **JA-DAC3374**
19. XJ-6 Series III, 471856-on; XJ-S H.E. engine 8S.46963-thru 1993. Protection via high-pressure switch. \_\_\_\_\_ **JA-EAC9616/RB**
20. XJ-40, to VIN 629285 \_\_\_\_\_ **JA-CBC6522**
21. XJ-40, VIN 629286-end of 1992 \_\_\_\_\_ **JA-CCC4929**
22. XJ-40, 1993-on \_\_\_\_\_ **JA-MHE7300AA/RB**
23. XJ-S 4.0 to 190527 \_\_\_\_\_ **JA-CCC4929**
24. XJ-S 4.0 from VIN 190528 \_\_\_\_\_ **JA-MHE7300AA/RB**
25. XJ-S 6.0 to 190527 \_\_\_\_\_ **JA-MHC7300AA**
26. XJ-S 6.0 from VIN 190528 \_\_\_\_\_ **JA-MHE7300BA**
27. XJ-6, 1995-1997 \_\_\_\_\_ **JA-MNA7300AB**

## A/C Condensers



28. XJ-6 Series I; XJ-6 Series II to engine 8L9800 \_\_\_\_\_ **C30480**
29. XJ-6 Series II, from eng. 8L9801 to VIN 2T69449 (NLS) \_\_\_\_\_ **C41217**
30. XJ-6 Series II, '77 1/2-on, from VIN 2T69449 \_\_\_\_\_ **JA-CAC3119**
31. XJ-6 Series III, to 82 1/2, to VIN 330665 \_\_\_\_\_ **JA-CAC3119**
32. XJ-6 Series III, '82 1/2-on, VIN 330666-on \_\_\_\_\_ **JA-CBC2809**

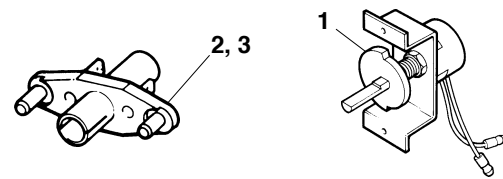
33. XJ-12, 1973 (NLS) \_\_\_\_\_ **C36779**
34. XJ-12 Series II, '74 - '75, to VIN 2R53902 \_\_\_\_\_ **C41471**
35. XJ-12 Series II, '75 - '79 1/2, from VIN 2R53903 \_\_\_\_\_ **C43924**
36. XJ-S, '76 - '78.5, to VIN 2W54659 \_\_\_\_\_ **C43924**
37. XJ-S, '78.5-'88 (Requires o-ring type drier) \_\_\_\_\_ **JA-CBC2846**
38. XJ-S, 1989 to mid 1993 (148782-188104) \_\_\_\_\_ **JA-CBC8540**
39. XJ-S 5.3 & 6.0, 188105-190527 \_\_\_\_\_ **JA-CCC5326**
40. XJ-S 5.3 & 6.0, 190528-on \_\_\_\_\_ **JA-MHD7390AA**
41. XJ-S 4.0 to 188104 \_\_\_\_\_ **JA-CBC8541**
42. XJ-S 4.0, 188105-190527 \_\_\_\_\_ **JA-CCC6496**
43. XJ-S 4.0, 190528-on \_\_\_\_\_ **JA-MHD7390BA**
44. XJ-40 XJ-6, 1988 to end of 1992 (VIN 667828) \_\_\_\_\_ **JA-CBC8074**
45. XJ-40 XJ-6, 1993-on (VIN 667829-on) \_\_\_\_\_ **JA-CBC9822**
46. "X300" XJ-6, 1995-1997 \_\_\_\_\_ **JA-MNA7390AA**



**A/C & Heater Components**  
**XJ-6 Series I & XJ-12 Series I**

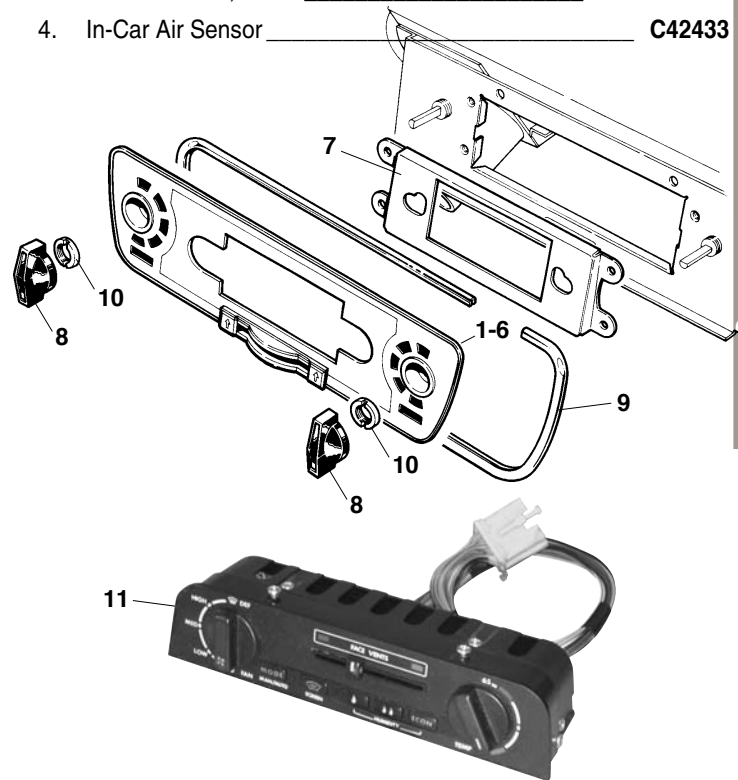
1. Proper Vacuum Hose \_\_\_\_\_ **08-1100**
2. Thermostat Switch \_\_\_\_\_ **JA-6012946**
3. Control Knob for Heater & A/C \_\_\_\_\_ **JA-BAC1053**
4. A/C Thermostat Switch Escutcheon \_\_\_\_\_ **BD36018**
5. Modulator Vacuum Switch for Actuator \_\_\_\_\_ **BD37338**
6. Rebuild Kit for Modulator Vacuum Switch for Actuator **09-8008**
7. Anti-Rattle Shim for Modulator Arm \_\_\_\_\_ **BD36158**
8. Modulator Knob \_\_\_\_\_ **BD34517**
9. "Air" Indicator \_\_\_\_\_ **BD37455**
10. "Off" Indicator \_\_\_\_\_ **BD37454**
11. Air Vent Control Knob \_\_\_\_\_ **JA-BAC1053**
12. In-Dash Air Vent \_\_\_\_\_ **BD46163**
13. Round Vents \_\_\_\_\_ **JA-BAC1484**
14. Control Knob for Round Vents \_\_\_\_\_ **JA-BAC1053**
15. Pull Knob for Air Vents \_\_\_\_\_ **BD38512**
16. Hose, To Air Vent from Front Fender \_\_\_\_\_ **JA-AKP232**

**Note:** Many of these components are no longer available and are listed for reference only.



**XJ-6 Series II & III, XJ-12 Series II, XJ-S**

1. Temp. Control Switch (left side of radio) \_\_\_\_\_ **JA-RTC1012**  
Fan Speed/Defroster Switch (right side of radio):
2. XJ-6 Series II \_\_\_\_\_ **JA-RTC1013**
3. XJ-6 Series III, XJ-S \_\_\_\_\_ **JA-AEU2743**
4. In-Car Air Sensor \_\_\_\_\_ **C42433**

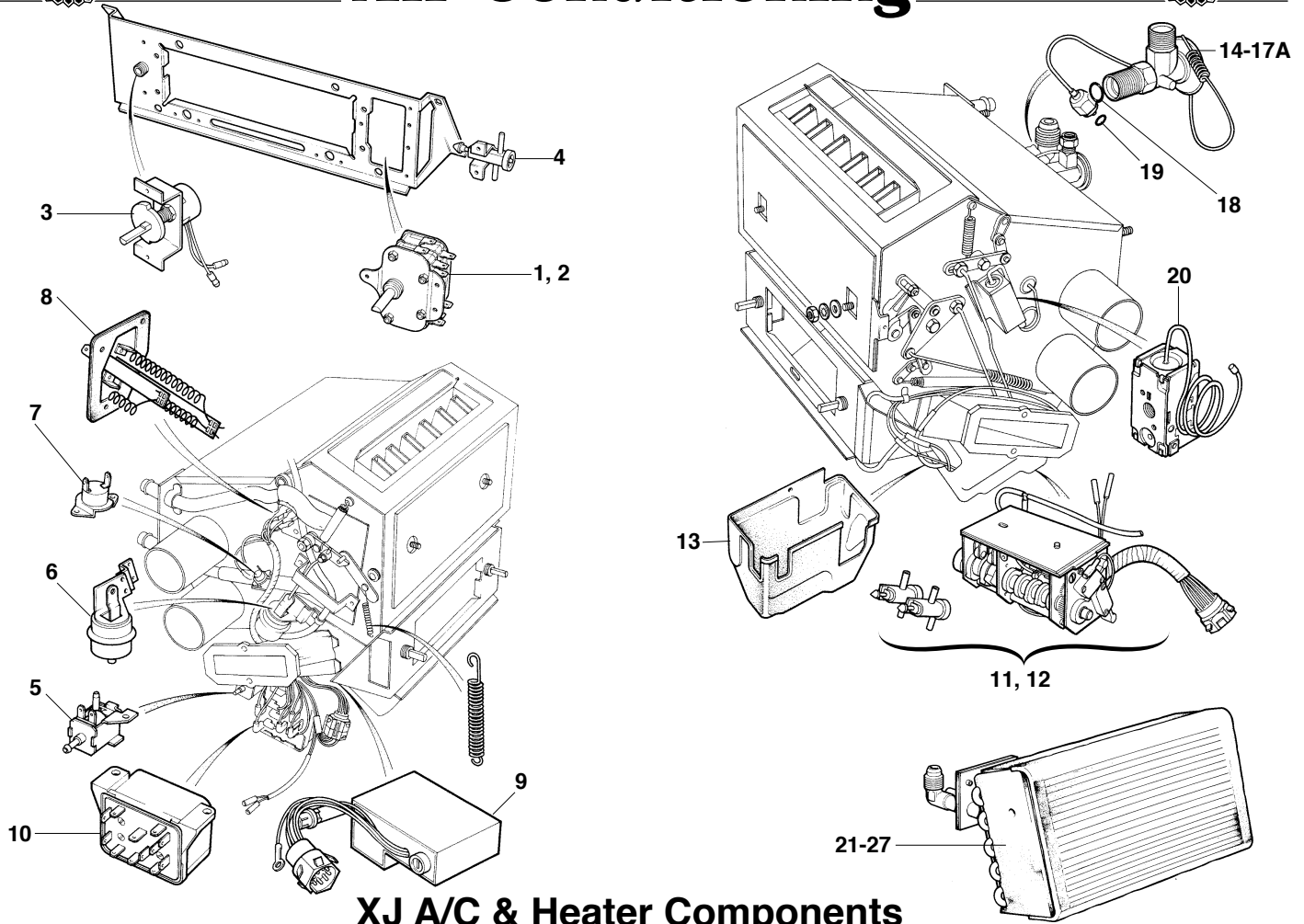


**Air Conditioning/Radio Panel**

**A/C and Radio Panel:**

1. XJ-6 Series II, XJ-12 Series II \_\_\_\_\_ **C43134**
2. XJ-6 Series III, to '80 1/2, to VIN 319603 \_\_\_\_\_ **JA-DAC2201**
3. XJ-6 Series III, VIN 319604 to 346688 \_\_\_\_\_ **JA-DAC2688**
4. XJ-6 Series III, '83-on, from VIN 346689 \_\_\_\_\_ **JA-BBC7563**
5. XJ-S, 1976 to 1982 \_\_\_\_\_ **C43134**
6. XJ-S - (1982 - '88) \_\_\_\_\_ **JA-BCC7563**
7. A/C and Radio Backing Plate / Bracket, XJ-6 Series II & III, XJ-12 Series II, XJ-S \_\_\_\_\_ **BD45997**
8. Control Knobs, XJ-6 Series II & III, XJ-12 Series II, XJ-S **C39413**
9. Chrome trim, XJ-6 Series II & III, XJ-S \_\_\_\_\_ **BD-45909-2**
10. Nut \_\_\_\_\_ **C41403**
11. A/C Control Panel, 1988-92 XJ-40, Rebuilt \_\_\_\_\_ **JA-DBC5844/RB**





## XJ A/C & Heater Components

1. Fan speed/defroster switch (right side of radio)  
XJ-6 Series II \_\_\_\_\_ **JA-RTC1013**
  2. XJ-6 Series III, XJ-S \_\_\_\_\_ **JA-AEU2743**
  3. Temperature control switch (left of radio)  
XJ-6 Series II & III, XJ-S, XJ-12 Series II \_\_\_\_\_ **JA-RTC1012**
  4. Vacuum Switch, (Adjacent to Micro Switches)  
XJ-6 Series II & III, XJ-12 Series II, XJ-S \_\_\_\_\_ **JA-RTC687A**
  5. Vacuum Valve, (Behind A/C - Heater Selector)  
XJ-6 Series II & III, XJ-12 Series II, XJ-S \_\_\_\_\_ **JA-RTC670**
  6. **Vacuum Actuator:**  
XJ-6 Series II & III, XJ-12 Series II, XJ-S \_\_\_\_\_ **JA-RTC684**
  7. Water Valve Temp. Switch, (Left Side of Case)  
XJ-6 Series II & III, XJ-12 Series II, XJ-S \_\_\_\_\_ **JA-RTC672**
  8. Resistor, (For Blower Motor)  
XJ-6 Series II & III, XJ-12 Series II, XJ-S \_\_\_\_\_ **JA-RTC677**
  9. Air Conditioning Amplifier, XJ-6 Series II & III,  
XJ-12 Series II, XJ-S \_\_\_\_\_ **C45402**
  10. Relay \_\_\_\_\_ **LU-SRB303**
- A/C Servo and Control Unit:**
11. XJ-6 Series II to VIN 2T67782; XJ-12 Series II to VIN 2R58346; XJ-S to VIN 2W54659 (does not include C41790 cover) \_\_\_\_\_ **JA-RTC679**
  12. XJ-6 Series II VIN 2T67783-on; all XJ-6 Series III;  
XJ-12 Series II VIN 2R58347-on;  
XJ-S VIN 2W54660-on (includes cover) \_\_\_\_\_ **JA-JLM523**
  13. Cover \_\_\_\_\_ **C41790**

### Expansion Valve:

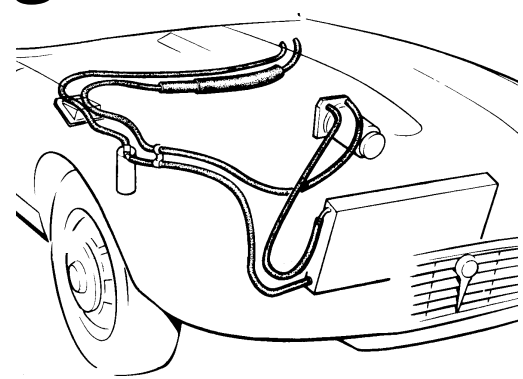
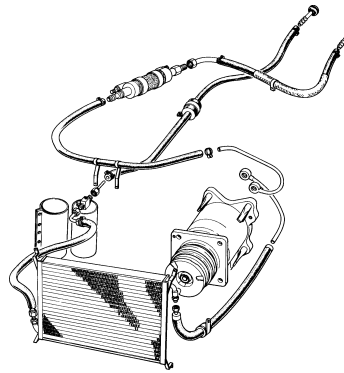
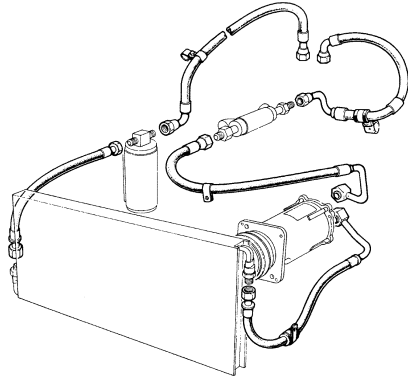
14. XJ-6 Series II to VIN 2T.67782; XJ-12 Series II to VIN 2R.50420, XJ-S to VIN 2W.54659 \_\_\_\_\_ **JA-RTC693**
15. XJ-6 Series II from VIN 2T.67783, all XJ-6 Series III, XJ-12 Series II from VIN 2R.50420, XJ-S from VIN 2W.54660 (O-ring type) \_\_\_\_\_ **JA-CAC2423**
16. "XJ-40" XJ-6, through 1992 \_\_\_\_\_ **JA-CAC8169**
17. "XJ-40" XJ-6, 1993-1994 \_\_\_\_\_ **JA-CCC3778**
- 17A. "XJ-40" V-12, XJ-S 4.0 & 6.0 \_\_\_\_\_ **JA-MMC6442AA**
18. Large O-Ring for Later Expansion Valve  
XJ-6 Series II & III, XJ-12 Series II, XJ-S \_\_\_\_\_ **JA-KRC1156**
19. Small O-Ring for Later Expansion Valve  
XJ-6 Series II & III, XJ-12 Series II, XJ-S \_\_\_\_\_ **JA-KRC1152**
20. Thermostat, (Right Side of Heater Box):  
XJ-6 Series II & III, XJ-12 Series II, XJ-S \_\_\_\_\_ **JA-AEU1675**

### Air Conditioning Evaporator:

21. XJ-6 Series II, to VIN 2T67782, XJ-12 Series II to VIN 2R50420, XJ-S 1976-1978.5 (VIN 2W54659) \_\_\_\_\_ **JA-RTC685**
22. XJ-6 Series II, from VIN 2T67783;  
XJ-6 Series III; XJ-12 Series II VIN 2R50421-on;  
XJ-S VIN 2W54660-139052 (through 1987) \_\_\_\_\_ **JA-AEU1191**
23. XJ-S 1988-1993 (VIN 139053-190527) \_\_\_\_\_ **JA-JLM1197**
24. XJ-S 1994-on \_\_\_\_\_ **JA-JLM20609**
25. "XJ-40" XJ-6, 1988 & 1989 \_\_\_\_\_ **JA-JLM11230**
26. "XJ-40" XJ-6, 1990-1992 \_\_\_\_\_ **JA-JLM2161**
27. "XJ-40" XJ-6, 1993-on \_\_\_\_\_ **JA-JLM20608**



# Air Conditioning Hoses



Model Year	Compressor to Condenser	Condenser to Receiver / Drier	Receiver / Drier to Evaporator	Evaporator to Fuel Cooler	Fuel Cooler to Compressor
<b>E-Type Series II</b> Early Style	C28154	C28155	C28157	C28158 (Evaporator to Compressor)	N/A
<b>E-Type Series II</b> Later Style	C31872	C28155	C28157	C31873 (Evaporator to Compressor)	N/A
<b>E-Type Series III</b> 1971 - '74	C34880	C34881	C34882	C34879 <sup>5</sup>	
<b>XJ-6 Series I</b> To 7L42594 W/York Comp.	C33140	C33368	C37413	C33139	C33888
<b>XJ-6 Series I</b> From 7L42595 W/Frigidaire	JA-CAC2361	C35171	C37413	C37497	C37498
<b>XJ-6 Series II</b> To Eng. 8L33292	JA-CAC2361	C35171	C39467	JA-CAC2359	JA-CAC2355
<b>XJ-6 Series II</b> From Eng. 8L33293	JA-CAC2361	JA-CAC2356	JA-CAC2357	JA-CAC2359	JA-CAC2355
<b>XJ-6 Series II</b> VIN 2T.64741 to 2T.69450	JA-CAC2711	N/A	JA-CAC2498	JA-CAC2359	JA-CAC2355
<b>XJ-6 Series II</b> VIN 2T.69451-on	JA-CAC6665	N/A	JA-CAC2035 <sup>1</sup>	JA-CAC1869	N/A
<b>XJ-6 Series III</b>	JA-CAC6665	N/A	JA-CAC2035 <sup>1</sup> (To VIN 330665) JA-CAC4019 (VIN 330666-on)	JA-CAC1869 (To VIN 424474) JA-CAC6657 (VIN 424475-on)	N/A
<b>XJ-12 Series I</b> 1973 Only	C36825	N/A	C36827	C39402 (N.L.S.)	N/A
<b>XJ-12 Series II</b> To Chassis# 2R53902	JA-CAC2354	N/A	C39422	C39421 <sup>2</sup>	N/A
<b>XJ-12 Series II</b> VIN 2R53903 - 2R58420	JA-CAC2354	N/A	JA-CAC2362	JA-CAC2358-1	C45077
<b>XJ-12 Series II</b> VIN 2R.58421-on	JA-CAC3098	N/A	JA-CAC2347	JA-CAC2449-2	C45077
<b>XJ-S</b> Thru '77, To 2W54672	JA-CAC2353	N/A	JA-CAC2352	JA-CAC2358-3	N/A
<b>XJ-S</b> 1978 - '82	JA-CCC5087 <sup>3</sup>	N/A	JA-CCC4558 <sup>1</sup>	JA-CAC2449-3	N/A
<b>XJ-S</b> 1982 - '91	JA-CCC5087 <sup>3</sup> (no muffler) JA-JLM10556 (w/ muffler)	N/A	JA-CCC4558 <sup>1</sup>	JA-CAC3696 <sup>4</sup>	JA-CAC3697
<b>XJ-S</b> 1992-on 5.3 V-12	JA-JLM10556	N/A	JA-CCC4558	N/A	JA-CCC4457 Muffler to Comp.
<b>XJ-40</b> 1988-1992	Drier to Evaporator JA-CBC4597 <sup>6</sup> JA-CBC8023 <sup>7</sup>	Evaporator to Muffler JA-JLM1531 <sup>6</sup> JA-CBC8022 <sup>7</sup>	Muffler to Condenser JA-CCC2846		
<b>Call for Later Applications</b>					

Air Conditioning

1. Also requires two O-Rings: Order two JA-KRC1154. 2. Goes directly from the evaporator to the compressor. 3. Also requires one O-Ring for correct mounting, Part# JA-KRC1156. 4. Also requires two O-Rings for correct mounting, one each part# JA-KRC1158 and part# JA-WC702101J 5. This car does not have a fuel cooler, hose goes directly from evaporator to compressor. 6. Up to VIN 594575. 7. VIN 594576-on. 8. Early type used up to 1R.9456 (roadster), 1R.26319 (coupe) and 1R.42012 (2+2). 9. Late type used from 1R.9457 (roadster), 1R.26320 (coupe) and 1R.42013 (2+2).